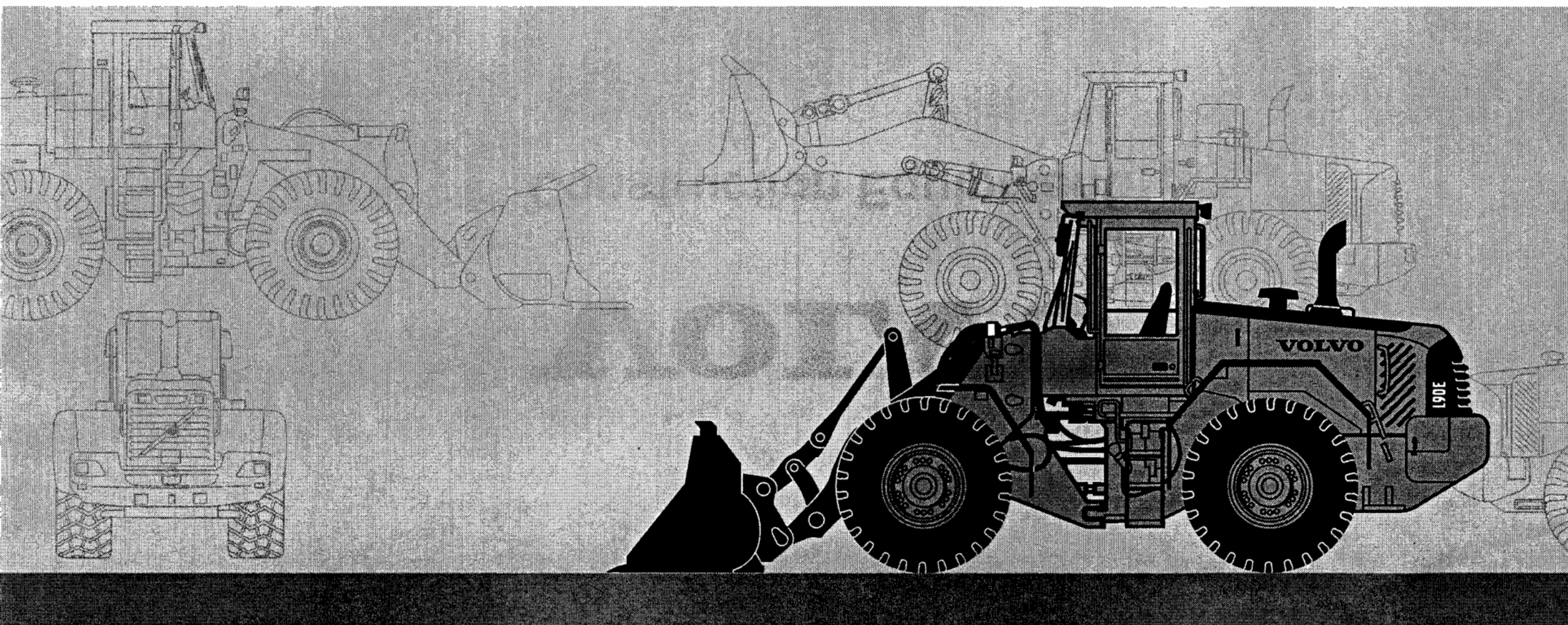


PARTS CATALOG

L90E



Publ. No. VOE 63D9920007

VOLVO

Construction Equipment

(

(

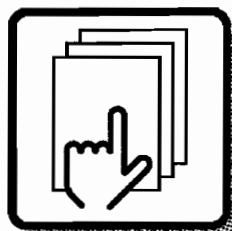
(

(

(

(

(



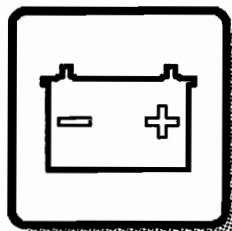
1

Preface and instructions
Préface et instructions
Vorwort und Anweisungen
Prefacio e instrucciones
Föroord och anvisningar



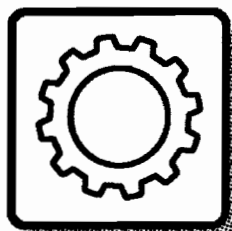
2

Engine
Moteur
Motor
Motor
Motor



3

Electrical systems and instruments
Système électrique et instruments
Elektrisches System und Instrumente
Sistema eléctrico e instrumentos
Elsystem och instrument



4

Power transmission
Transmission de force
Kraftübertragung
Transmisión de fuerza
Kraftöverföring

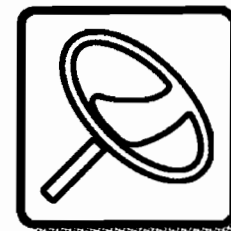


5

Brakes
Freins
Bremsen
Frenos
Bromsar

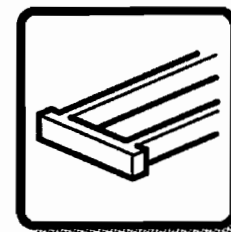
Steering system
Système de direction
Lenksystem
Sistema de dirección
Styrsystem

6



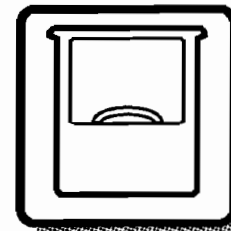
Frame and wheels
Bâti et roues
Rahmen und räder
Bastidor y ruedas
Ram och hjul

7



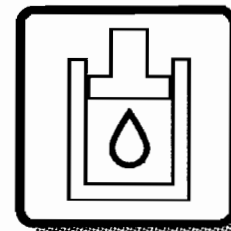
Body with associated parts
Carrosserie avec détails
Aufbau mit Zubehörteilen
Carroceria con detalles
Karosseri

8



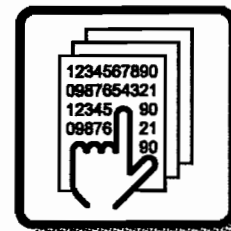
Miscellaneous equipment
Equipments divers
Übrige Ausrüstung
Equipo diverso
Övrig utrustning

9



Numerical index
Répertoire numérique
Nummernverzeichnis
Índice numérico
Nummerregister

10



1

2

3

4

5

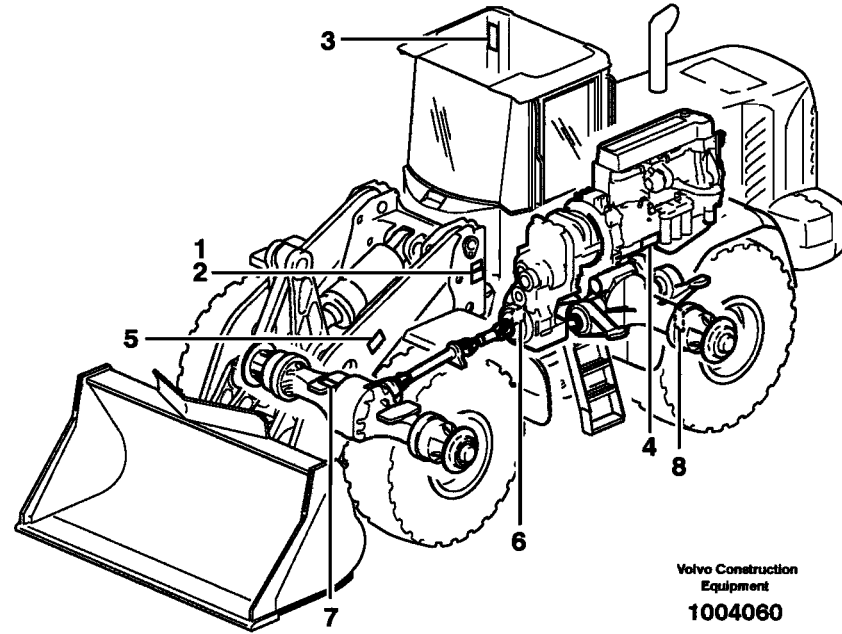
6

7

8

9

10



Volvo Construction
Equipment
1004060

| GBR | FRA | DEU | ESP | SWE |
|-------------------------------|-------------------------|----------------------|---------------------------------|----------------|
| 1 Product sign plate | 1 Enseigne de produit | 1 Produktschild | 1 Muestra del producto | 1 Produktskyt |
| 2 Assembly Sign Plate | 2 Enseigne D'assemblage | 2 Sammelschild | 2 Muestra De Reunion | 2 Samlingsskyt |
| 3 Driver's cab | 3 Cabine du conducteur | 3 Schutzfahrerhaus | 3 Cabina de proteccion | 3 Skyddshytt |
| 4 Engine sign plate | 4 Enseigne de moteur | 4 Motorschild | 4 Muestra de motor | 4 Motorskyt |
| 5 Lifting Unit | 5 Group De Relevage | 5 Hubaggregat | 5 Agregado Levantador | 5 Lyftaggregat |
| 6 Power Transmission | 6 Transmission De Force | 6 Kraftubertragung | 6 Transmision De Fuerza | 6 Transmission |
| 7 Drive axle front sign plate | 7 Enseigne du pont, AV | 7 Vorderachsenschild | 7 Muestra del puente, delantero | 7 Framaxelskyt |
| 8 Drive axle rear sign plate | 8 Enseigne du pont, AR | 8 Hinterachsenschild | 8 Muestra Del Puente, Tra | 8 Bakaxelskyt |

| | | | |
|----------------------------|-----------------------------|-----------------------|----------|
| PRODUCT SIGN PLATE | MUESTRA DEL PRODUCTO | Catalogue id | Group |
| ENSEIGNE DE PRODUIT | PRODUKSKYLT | 20007 | 1 |
| PRODUKTSCHILD | | Issue | Page |
| | | VOE 63D9920007 | 5 |

VOLVO

L90E

| | | | |
|-----------------|--|--------------------------------|-------------------|
| FOREWORD | | Catalogue id 20007 | Group 1 |
| | | Issue VOE 63D9920007 | Page 6 |
| GBR | | GBR | |

Only genuine parts are presented in this catalogue. These parts have been subjected to the necessary function and endurance tests, and they comply with the high quality and safety requirements that have been set for Volvo Construction Equipment. You should note that warranties do not cover damages that are caused or aggravated by the fact that a non-genuine part was fitted.

The illustrations shown in the catalogues should not be used as assembly or workshop instructions. Separate literature for the various specific subject areas is available for that purpose.

The owner of the machine or equipment should state the model designation, manufacturing number, part number, quantity, and the name, or description, of the part when ordering parts.

For location of the model and engine designation plates, etc, see page 4-5.

Market-adapted equipment entered in catalogue, can be seen on page 26.

See page 13 for a "Catalogue Guide" on how to use the parts catalogue.

See page 22 for table of abbreviations.

This catalogue has been produced by Volvo Construction Equipment Customer Support AB. If you have any point of views regarding the catalogue, or if you detect any errors in the catalogue, please take a copy of the page in question, indicate the error(s), and send it to us at the following adress:

Volvo Construction Equipment Customer Support AB.
Catalogue Department
S-631 85 Eskilstuna.....Telefax: +46 16 15 29 15
E-mail: vce.parts.catalog@volvo.com

WHEEL LOADER VOLVO L90E

BASIC MACHINE

PROD NO 33278, SER NO 20001 -
PROD NO 33278, SER NO 66001 - USA
PROD NO 33278, SER NO 70801 - BRAZIL
PROD NO 33286 OPEN ROPS, SER NO 72201 - BRAZIL
PROD NO 33288, SER NO 42001 - IRAN

CAB

PROD NO 33277
PROD NO 33287 OPEN ROPS

TRANSMISSION

PROD NO 22523, HTE202, SER NO - 20095
SER NO - 66019 USA,
SER NO - 70802 BRAZIL
PROD NO 22548, HTE202, SER NO 20096 -
SER NO 66020 - USA
SER NO 70803 - BRAZIL

DRIVING AXLE

PROD NO 23919, AWB 25, front
PROD NO 23920, AWB 20, rear

LOADING UNIT

PROD NO 33282

ENGINE

Part No 11172408, Typ VOLVO D6DLAE2

FRA

Seules les pièces d'origine sont présentées dans les catalogues des pièces de rechange. Toutes ces pièces ont été soumises à des tests de fonctionnement et de longévité pour être conformes aux exigences sévères de qualité et de sécurité posées par Volvo Construction Equipment. Notez que les garanties ne couvrent pas les dégâts et les dommages causés par le montage de pièces autres que des pièces d'origine.

Les illustrations dans le catalogue ne doivent pas être utilisées comme notice de montage ni comme instructions d'atelier. Pour ceci, nous vous renvoyons à la documentation spécifiquement éditée dans ce but.

Pour toute commande de pièces de rechange, indiquez la désignation du modèle, le numéro de fabrication, le numéro de référence, la quantité ainsi que la désignation de la pièce.

Le placement des plaques de désignation de modèle et de moteur etc. ressort de la figure ci-contre 4-5.

Equipment adapté au marché et indiqué dans la catalogue, prière de voir la liste en page 26.

Guide pour l'utilisation de catalogues de pièces de rechange, voir page 15.

Pour la liste des abréviations employées, prière de voir en page 22.

Ce catalogue est édité par Volvo Construction Equipment Customer Support AB. Si vous avez des commentaires ou si vous découvrez des erreurs dans ce catalogue, nous vous serions reconnaissants de bien vouloir photocopier cette page, de la remplir et de nous la renvoyer.

Volvo Construction Equipment Customer Support AB
Division Catalogue
S-631 85 Eskilstuna. Télécopie: int. +46 16 15 29 15.
E-mail: vce.parts.catalog@volvo.com

FRA

CHARHEUSE SUR PNEUS VOLVO L90E

MACHINE DE BASE

PROD NO 33278, SER NO 20001 -
PROD NO 33278, SER NO 66001 - USA
PROD NO 33278, SER NO 70801 - BRAZIL
PROD NO 33286 OPEN ROPS, SER NO 72201 - BRAZIL
PROD NO 33288, SER NO 42001 - IRAN

CABINE DU CONDUCTEUR

PROD NO 33277
PROD NO 33287 OPEN ROPS

TRANSMISSION

PROD NO 22523, HTE202, SER NO - 20095
SER NO - 66019 USA,
SER NO - 70802 BRAZIL
PROD NO 22548, HTE202, SER NO 20096 -
SER NO 66020 - USA
SER NO 70803 - BRAZIL

ESSIEU MOTEUR

PROD NO 23919, AWB 25, AV
PROD NO 23920, AWB 20, AR

GROUPE CHARGEUR

PROD NO 33282

MOTEUR

Numéro d'article 11172408, Type VOLVO D6DLAE2

AVANT-PROPOS

| | |
|--------------------------------|-------------------|
| Catalogue id 20007 | Group 1 |
| Issue VOE 63D9920007 | Page 7 |

VOLVO

L90E

| | | | |
|----------------|--|--------------------------------|-------------------|
| VORWORT | | Catalogue id 20007 | Group 1 |
| | | Issue VOE 63D9920007 | Page 8 |
| DEU | | DEU | |

In den Ersatzteilkatalogen sind nur Originalteile verzeichnet. Diese Teile haben die notwendigen Funktions- und Lebensdauertests durchlaufen und erfüllen die hohen Qualitäts- und Sicherheitsanforderungen von Volvo Construction Equipment. Beachten Sie bitte, dass die Garantien keine Schäden umfassen, die durch die Montage eines fremden Teils verursacht oder verschlimmert wurden.

Die Abbildungen in dem Katalog dürfen nicht als Montageanweisungen oder Werkstattanleitungen verwendet werden. Wir verweisen statt dessen auf die separate Literatur für diesen Zweck.

Der Maschinenbesitzer muss bei der Bestellung von Ersatzteilen die Modellbezeichnung, Fabriknummer, Artikelnummer sowie Anzahl und Bezeichnung des Teils angeben.

Die Anbringung der Schilder für Modell- und Motorbezeichnung usw. geht aus dem Bild auf Seite 4-5 hervor.

Für den Markt angepasste Ausrüstung wurde in den Katalog aufgenommen, Seite 26.

Die Anweisung auf Seite 17 hilft Ihnen sich im Ersatzteilkatalog zurechtzufinden.

Abkürzungsverzeichnis, siehe Seite 22.

Dieser Katalog wurde von Volvo Construction Equipment Customer Support AB herausgegeben. Wenn Sie Kommentare zu diesem Katalog haben oder Fehler darin finden, kopieren Sie bitte die entsprechende Seite, machen Sie eine Notiz und schicken Sie diese ein an:

Volvo Construction Equipment Customer Support AB
Katalogabteilung
S-631 85 Eskilstuna, Schweden....Telefax: +46 16 15 29 15
E-mail: vce.parts.catalog@volvo.com

RADLADER VOLVO L90E

GRUNDMASCHINE

PROD NO 33278, SER NO 20001 -
PROD NO 33278, SER NO 66001 - USA
PROD NO 33278, SER NO 70801 - BRAZIL
PROD NO 33286 OPEN ROPS, SER NO 72201 - BRAZIL
PROD NO 33288, SER NO 42001 - IRAN

KABINE

PROD NO 33277
PROD NO 33287 OPEN ROPS

GETRIEBE

PROD NO 22523, HTE202, SER NO - 20095
SER NO - 66019 USA,
SER NO - 70802 BRAZIL
PROD NO 22548, HTE202, SER NO 20096 -
SER NO 66020 - USA
SER NO 70803 - BRAZIL

PLANETENWELLE

PROD NO 23919, AWB 25, vordere
PROD NO 23920, AWB 20, hintere

LADERAGGREGAT

PROD NO 33282

MOTOR

Bestellnummer 11172408, Typ VOLVO D6DLAE2

En los catálogos de repuestos se presentan únicamente piezas originales que han sido sometidas a las necesarias pruebas de funcionamiento y duración y que cumplen las elevadas exigencias de seguridad y calidad de Volvo Construction Equipment. Recuerde que las garantías no cubren los daños ocasionados o agravados por no haber montado una pieza original.

Las ilustraciones del catálogo no deben utilizarse como base para el montaje ni como instrucciones de taller. Para ello recomendamos utilizar los manuales de taller editados a propósito.

Al hacer el pedido de repuestos, el propietario de la máquina debe indicar el modelo de la misma, su número de fabricación, la referencia de la pieza, la cantidad y la denominación.

La ubicación de letreros con las denominaciones de modelo y motor etc., puede verse en la página 4-5.

La lista de equipos de adaptación según mercado, introducidos en el catálogo, puede verse en la página 26.

Guía para el uso del catálogo, puede verse en la página 19.

La tabla de abreviaturas puede verse en la página 22.

Esté catálogo ha sido editado por Volvo Construction Equipment Customer Support AB. Si tiene algún comentario que hacer sobre el catálogo, o detecta algún error, le rogamos que haga una copia de la página en cuestión y nos la remita junto con sus comentarios a:

Volvo Construction Equipment Customer Support AB.
 Katalogavdelningen
 S-631 85 Eskilstuna.....Telefax: +46 16 15 29 15
 E-mail: vce.parts.catalog@volvo.com

CARGADORA SOBRE RUEDAS VOLVO L90E

MÁQUINA BÁSICA

PROD NO 33278, SER NO 20001 -
 PROD NO 33278, SER NO 66001 - USA
 PROD NO 33278, SER NO 70801 - BRAZIL
 PROD NO 33286 OPEN ROPS, SER NO 72201 - BRAZIL
 PROD NO 33288, SER NO 42001 - IRAN

CABINA DEL CONDUCTOR

PROD NO 33277
 PROD NO 33287 OPEN ROPS

TRANSMISIÓN

PROD NO 22523, HTE202, SER NO - 20095
 SER NO - 66019 USA,
 SER NO - 70802 BRAZIL
 PROD NO 22548, HTE202, SER NO 20096 -
 SER NO 66020 - USA
 SER NO 70803 - BRAZIL

EJE PROPULSOR

PROD NO 23919, AWB 25, delantero
 PROD NO 23920, AWB 20, trasero

UNIDAD CARGA

PROD NO 33282

MOTOR

Número de detalle 11172408. Tipo VOLVO D6DLAE2

PROLOGO

| | |
|-----------------------|----------|
| Catalogue id | Group |
| 20007 | 1 |
| Issue | Page |
| VOE 63D9920007 | 9 |

| | | | |
|---------------|--|--------------------------------|-------------------|
| FÖRORD | | Catalogue id 20007 | Group 1 |
| | | Issue VOE 63D9920007 | Page 10 |
| SWE | | SWE | |

I denna reservdelskatalog presenteras endast originaldelar. De har genomgått nödvändiga funktions- och livslängdsprov samt uppfyller Volvo Construction Equipments höga kvalitets- och säkerhetskrav. Observera att garantin ej täcker skador som orsakats eller förvärrats av att en icke originaldel monterats.

Illustrationerna i katalogen skall ej användas som monteringsanvisningar eller verkstadsinstruktioner. Vi hänvisar istället till separat litteratur för ändamålet.

Maskinägaren ska vid beställning av reservdelar ange, modellbeteckning, tillverkningsnummer, artikelnummer, antal samt delens benämning.

Placering av skyltar för modell- och motorbeteckning etc., framgår av bild på sidan 4-5.

Marknadsanpassade utrustningar som är införda i denna katalog framgår av förteckningen på sidan 26.

Katalogguide för hur man använder reservdelskatalogen; se sidan 21.

Förkortningstabell, se sidan 22.

Denna katalog är producerad av Volvo Construction Equipment Customer Support AB. Om ni har synpunkter eller upptäcker något fel i katalogen, var vänlig tag en kopia på sidan, gör en notering och sänd detta till

Volvo Construction Equipment Customer Support AB.
Katalogavdelningen
S-631 85 Eskilstuna.....Telefax: +46 16 15 29
E-mail: vce.parts.catalog@volvo.com

HJULLASTARE VOLVO L90E

BASMASKIN

PROD NO 33278, SER NO 20001 -
PROD NO 33278, SER NO 66001 - USA
PROD NO 33278, SER NO 70801 - BRAZIL
PROD NO 33286 OPEN ROPS, SER NO 72201 - BRAZIL
PROD NO 33288, SER NO 42001 - IRAN

HYTT

PROD NO 33277
PROD NO 33287 OPEN ROPS

TRANSMISSION

PROD NO 22523, HTE202, SER NO - 20095
SER NO - 66019 USA,
SER NO - 70802 BRAZIL
PROD NO 22548, HTE202, SER NO 20096 -
SER NO 66020 - USA
SER NO 70803 - BRAZIL

DRIVAXLAR

PROD NO 23919, AWB 25, främre
PROD NO 23920, AWB 20, bakre

LASTAGGREGAT

PROD NO 33282

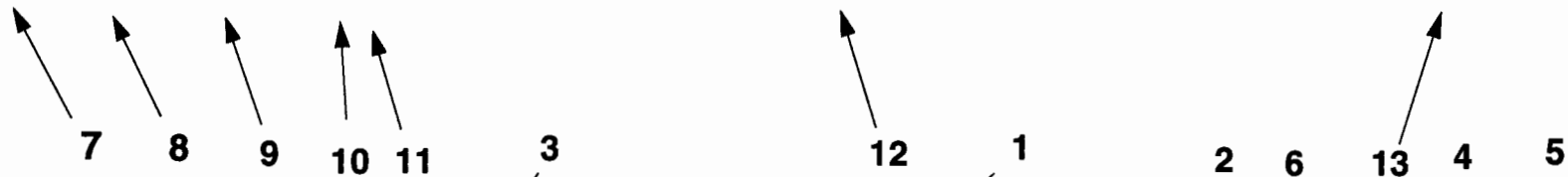
MOTOR

Artikelnummer 11172408, Typ VOLVO D6DLAE2

VOLVO

Construction Equipment

| Fig. | Part No. | Quantity | | | P S | K T | Description | Dénomination | Bezeichnung | Denominación | Benämning | Notes |
|------|--------------|----------|---|---|--------|-------------------------|---|------------------------|---------------------------|-----------------------|----------------------------------|-------|
| | | 1 | 2 | 3 | | | | | | | | |
| | VOE 4833424 | 1 | | | SS | Hydr.cylinder | Verin Hydraul. | Druckölzylinder..... | Cilín Hidraul..... | Hydraulicyl..... | 963) | |
| | | 1 | | | | Hydraulic cylinder..... | Verin Hydraulique | Hydraulzylinder | Cilindro Hidraulico | Hydraulicylinder..... | L PROD See group 94, avsn 250 | |
| 1 | VOE 4833425 | 1 | | | | •Cylinder Tube | •Tube Cylindre | •Zylinderrohr..... | •Tubo Cilindro..... | •Cylinderrör..... | | |
| 2 | VOE 4741303 | 1 | | | | •Piston Rod | •Tige Piston..... | •Kolbenstange | •Varilla Piston | •Kolvstång..... | | |
| 3 | VOE 4833432 | 1 | | | | •Pstn Rod Guide | •Gui.tige Piston | •Ko-stang Fuhrg | •Guia Var Piston | •Kolvst.styming..... | | |
| 4 | VOE 4784039 | 1 | | | K | •Piston Rod Seal..... | •Eta.tige Piston..... | •Ko-stang Dichtg | •Reten Var Pist..... | •Kolvstångståtn..... | | |
| 5 | VOE 4833433 | 1 | | | | •Spacer Ring | •Bagu.entretoise..... | •Abstandring..... | •Anillo Dist | •Distansring..... | | |
| 6 | VOE 914516 | 1 | | | | •Snap Ring | •Circlip | •Nutting | •Circlip | •Spårring..... | | |
| 7 | VOE 4784999 | 1 | | | K | •Scraper | •Racleur | •Abstreicher..... | •Rascador..... | •Avstrykare..... | | |
| 8 | VOE 4741302 | 1 | | | | •Piston..... | •Piston..... | •Kolben..... | •Piston..... | •Kolv..... | | |
| 9 | VOE 925067 | 2 | | | K | •O-ring..... | •Joint Torique | •O-ring..... | •Anillo Torico | •O-ring..... | | |
| 10 | VOE 4881024 | 3 | | | K | •Back-up Ring | •Bague Support..... | •Stützring..... | •Anillo Apoyo | •Stödtring..... | | |
| 11 | VOE 955898 | 1 | | | | •Washer | •Rondelle..... | •Scheibe..... | •Arandela..... | •Bricka..... | | |
| 12 | VOE 13955884 | 1 | | | | •Castle Nut..... | •Ecrou Crenele•Kronenmutter•Tuerca Corona•Kronmutter..... | | | | (VOE 955884) | |
| 13 | VOE 907847 | 1 | | | | •Cotter Pin..... | •Goupille Fendue | •Splint..... | •Pasador Hendido | •Saxpinne..... | | |
| 14 | VOE 944154 | 1 | | | | •Snap Ring | •Circlip | •Nutting | •Circlip | •Spårring..... | | |
| | VOE 11990060 | 1 | | | | Gasket Kit | Kit Joints | Dichtungssatz..... | Juego Juntas | Packningsats..... | | |



963) GB: Cylinder tube is marked "424". See illustration fig. A. FR: Tube cylindre marquer "424". Voir illustration fig. A. DE: Das Zylinderrohr ist gekennzeichnet mit "424". Siehe Illustration fig. A. ES: Tubo cilindro marcado "424". Véase ilustración fig. A. SE: Cylinderrör är märkt "424". Se bild pos. A.

| | | | | | |
|---|-----------------------------|--------------|----------------|---------|-----|
| 1 | Hydraulicylinder E Prod | Catalogue Id | 90691 | Group | 924 |
| 2 | Cilindro hidráulico E Prod | Illustr. No | AC290A | Section | 200 |
| 3 | Druckölzylinder E Prod | Issue | VOE 63D9990691 | Page | 623 |
| 4 | Cylindre hydraulique E Prod | | | | |
| 5 | Hydraulic cylinder E Prod | | | | |
| | 90271, 91357, STD USA | | | | |



In addition to part numbers, the Parts Catalogue also includes a vast amount of essential information which you, the operator, should be acquainted with. With the "Catalogue Guide", we want to show clearly how the catalogues are arranged and what sort of information is presented therein.

Group 1 Preface and Instructions

Here you can find the following information:

- Title page and publication number
- Revisions which have been introduced, and all established issues
- Group index
- Product signs
- Preface
- List of items of equipment adapted to market requirements that have been introduced
- Catalogue Guide
- Table of abbreviations

Group 2 - 9 Text and illustration pages

- The table of contents shows the division of the main groups into sub-groups, with reference to page number and section.
- Illustration page. The position number of the illustration refers to the text page.
- Text page
 1. Heading.
 2. Additional text which limits the validity of the section. An example is information relating to manufacturing numbers and equipment adapted to market requirements.
 3. Designation for quantity columns.
 4. Illustrations.
 5. Group, section, page, which you should use when you search for information in the catalogue.
 6. Catalogue identification and issue designation.
 7. Position number of the part on the associated drawing.
 8. Part number
 9. Quantity. The column designation indicates the version which is shown in each column. The quantity stated refers to the quantity for each machine or, where appropriate, for each complete unit. "REQ" refers to the required amount. See also "Notes" column.
- 10. PS (Parts Status) indicates the status code of the part.

- "NS" means that the part is not kept in stock.
- "SS" means that the part has been replaced.
- Refer to Group 10 Replaced parts for further information.
- 11. KIT. Parts that are marked with a "K" are included in a kit. The number of the kit is often indicated after other part numbers.
- 12. Description. The indentations indicate if one or more parts are included in the assembled unit described above. The parts are included when a complete unit is ordered.
- 13. Notes. Other information relating to a particular part is given here.
 - Footnote number (963 for example) is given at the bottom of the page.
 - Replaced parts (955884, for example).
 - Product or manufacturing number.
 - Abbreviations and technical information.
 - Reference to page and group.

Group 10 Replaced parts / Number index

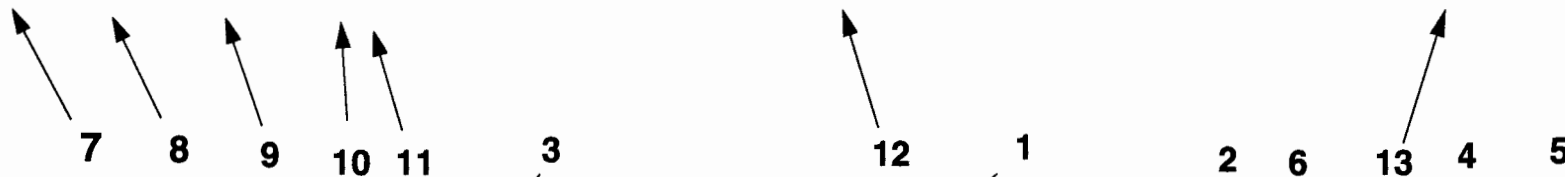
- Replaced parts. The part numbers of parts marked with "SS" (in the PS column) are indicated here, together with their replacement numbers. The replacement parts may in turn be also replaced, and so on.
- Number index. All parts included in the catalogue are indicated here, together with a reference to group, section and page.

Continued improvements and successes in design could result in modifications to your equipment which are not covered by this publication. Each publication is revised when required to include these modifications in later issues. For additional information, you should contact Volvo Construction Equipment Customer Support AB, Catalogue Department.

Any unauthorized reproduction of any part of this document would be in violation of Volvo Construction Equipment Customer Support AB's rights and will be prosecuted to the fullest extent allowed by law. We reserve the right to make changes without prior notice.
 Volvo Construction Equipment Customer Support AB

| | | |
|-------------------------------------|--------------------------------|-------------------|
| PARTS CATALOGUE INSTRUCTIONS | Catalogue id 20007 | Group 1 |
| | Issue VOE 63D9920007 | Page 13 |

| Fig. | Part No. | Quantity | | | P S | K T | Description | Dénomination | Bezeichnung | Denominación | Benämning | Notes |
|------|---------------------|----------|---|---|--------|-------------------------|---|------------------------|---------------------------|------------------------|----------------------------------|-------|
| | | 1 | 2 | 3 | | | | | | | | |
| | VOE 4833424 | 1 | | | SS | Hydr.cylinder | Verin Hydraul. | Druckölzylinder..... | Cilin Hidraul..... | Hydraulicyl..... | 963) | |
| | | 1 | | | | Hydraulic cylinder..... | Verin Hydraulique | Hydraulzylinder | Cilindro Hidraulico | Hydrauliccylinder..... | L PROD See group 94, avsn 250 | |
| 1 | VOE 4833425 | 1 | | | | •Cylinder Tube | •Tube Cylindre | •Zylinderrohr..... | •Tubo Cilindro..... | •Cylinderrör..... | | |
| 2 | VOE 4741303 | 1 | | | | •Piston Rod | •Tige Piston | •Kolbenstange | •Varilla Piston | •Kolvstång..... | | |
| 3 | VOE 4833432 | 1 | | | | •Pstn Rod Guide | •Gui.tige Piston | •Ko-stang Fuhrg | •Guia Var Piston | •Kolvst.styrning..... | | |
| 4 | VOE 4784039 | 1 | | | K | •Piston Rod Seal..... | •Eta.tige Piston..... | •Ko-stang Dichtg | •Reten Var Pist..... | •Kolvstångstätt..... | | |
| 5 | VOE 4833433 | 1 | | | | •Spacer Ring | •Bagu.entretoise..... | •Abstandring | •Anillo Dist | •Distansring..... | | |
| 6 | VOE 914516 | 1 | | | | •Snap Ring | •Circlip | •Nutting | •Circlip | •Spårring..... | | |
| 7 | VOE 4784999 | 1 | | | K | •Scraper | •Racleur | •Abstreicher..... | •Rascador | •Avstrykare..... | | |
| 8 | VOE 4741302 | 1 | | | | •Piston..... | •Piston..... | •Kolben..... | •Piston | •Kolv..... | | |
| 9 | VOE 925067 | 2 | | | K | •O-ring..... | •Joint Torique | •O-ring..... | •Anillo Torico | •O-ring..... | | |
| 10 | VOE 4881024 | 3 | | | K | •Back-up Ring | •Bague Support..... | •Stützring..... | •Anillo Apoyo | •Stödtring..... | | |
| 11 | VOE 955898 | 1 | | | | •Washer | •Rondelle..... | •Scheibe..... | •Arandela..... | •Bricka..... | | |
| 12 | VOE 13955884 | 1 | | | | •Castle Nut..... | •Ecrou Crenele•Kronenmutter•Tuerca Corona•Kronmutter..... | | | | (VOE 955884) | |
| 13 | VOE 907847 | 1 | | | | •Cotter Pin..... | •Goupille Fendue | •Splint..... | •Pasador Hendido | •Saxpinne..... | | |
| 14 | VOE 944154 | 1 | | | | •Snap Ring | •Circlip | •Nutting | •Circlip | •Spårring..... | | |
| | VOE 11990060 | 1 | | | | Gasket Kit | Kit Joints | Dichtungssatz..... | Juego Juntas | Packningsats..... | | |



963) **GB:** Cylinder tube is marked "424". See illustration fig. A. **FR:** Tube cylindre marquer "424". Voir illustration fig. A. **DE:** Das Zylinderrohr ist gekennzeichnet mit "424". Siehe Illustration fig. A. **ES:** Tubo cilindro marcado "424". Véase ilustración fig. A. **SE:** Cylinderrör är märkt "424". Se bild pos. A.

| | | | | | | |
|---|--|------------------------------------|--------------|-----------------------|---------|------------|
| 1 | | Hydrauliccylinder E Prod | Catalogue id | 90691 | Group | 924 |
| 2 | | Cilindro hidráulico E Prod | Illustr. No | AC290A | Section | 200 |
| 3 | | Druckölzylinder E Prod | Issue | VOE 63D9990691 | Page | 623 |
| 4 | | Cylindre hydraulique E Prod | | | | |
| 5 | | Hydraulic cylinder E Prod | | | | |
| | | 90271, 91357, STD USA | | | | |



Le catalogue de pièces de rechange présente, non seulement les numéros de référence, mais également d'autres informations qu'il est important de connaître. Ce guide de catalogue vous indique, d'une façon générale, comment sont conçus nos catalogues et quelles informations ils vous apportent.

Groupe 1 Avant-propos et instructions

Sous ce groupe, vous trouvez:

- La page de titre avec le numéro de publication
- Les modifications introduites avec toutes les éditions mises à jour
- Le registre des groupes
- Le plaques de produit
- Un avant-propos
- Une liste des équipements introduits suivant les pays
- Un guide de catalogue
- Un tableau des abréviations

Groupes 2 - 9 Pages de texte et d'illustration

- Le sommaire indique la division des groupes principaux en sous-groupes avec des renvois aux pages et aux sections.
 - La page d'illustration. L'illustration donne les numéros de position qui renvoient à la page de texte.
 - La page de texte
 1. Rubrique
 2. Texte supplémentaire qui limite la validité de la rubrique, par exemple numéro de série et équipements adaptés aux pays
 3. Désignation des modèles pour les différentes colonnes
 4. N° d'illustration
 5. Groupe, section, page, utilisés pour la recherche dans le catalogue
 6. Identification du catalogue et de l'édition
 7. Numéro de position de la pièce sur l'illustration afférente
 8. Numéro de référence
 9. Quantité. La désignation des colonnes indique le modèle qui se réfère à chaque colonne. La quantité indiquée correspond à la quantité par engin ou, suivant les cas, par unité complète. "REQ" signifie quantité nécessaire, voir la colonne Notes
 10. PS (Parts Status) indique le code d'état de la pièce.
 - "NS" signifie que la pièce n'existe pas en magasin.
 - "SS" signifie que la pièce a été remplacée.
- Voir le groupe 10, pièces remplacées pour de plus amples informations.

11. KIT. Les pièces marquées "K" font partie d'un kit. Le numéro du kit est le plus souvent indiqué après les autres numéros de référence.
12. Désignation. Le décalage indique si une ou plusieurs pièces font partie de l'unité complète indiquée au-dessus. Ces pièces sont envoyées pour une commande d'une unité complète.
13. Notes (Remarques). Diverses informations pour une pièce:
 - Numéro de renvoi. Par exemple 963) indication en bas de page.
 - Pièces remplacées. Par exemple (955884).
 - Numéro de produit ou numéro de fabrication.
 - Abréviations et explications techniques.
 - Renvoi aux pages et aux groupes.

Groupe 10 Pièces remplacées/Registre des numéros

- Pièces remplacées. Les numéros de référence marquées "SS" (dans la colonne PS) sont repris ici avec leur numéro de remplacement. Ces pièces remplacées peuvent, à leur tour, être remplacées par d'autres, etc.
- Registre des numéros. Tous les numéros de référence du catalogue se retrouvent ici avec un renvoi au groupe, à la section et à la page.

Les perfectionnements continus et les progrès réalisés au point de vue construction peuvent entraîner, sur votre engin, des modifications qui ne sont pas prises en compte dans cette publication. Chaque publication est remise à jour suivant les besoins pour inclure toutes ces modifications dans les dernières édition. Pour de plus amples renseignements, prenez contact avec la division Catalogue de Volvo Construction Equipment Customer Support AB.

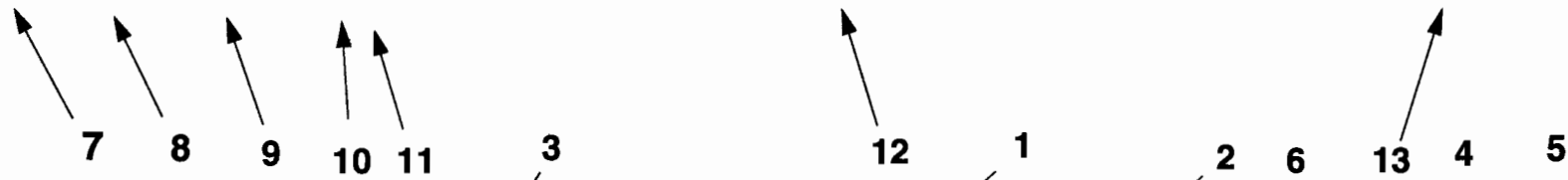
La reproduction non autorisée de toute partie de ce document constitue une violation des droits d'auteur de Volvo Construction Equipment Customer Support AB et entraînera une poursuite légale aux termes de la loi. Nous nous réservons le droit d'apporter des modifications sans préavis.

Volvo Construction Equipment Customer Support AB

CATALOGUE DE PIECES INSTRUCTIONS

| | |
|--------------------------------|-------------------|
| Catalogue id 20007 | Group 1 |
| Issue VOE 63D9920007 | Page 15 |

| Fig. | Part No. | Quantity | | | P S | K T | Description | Dénomination | Bezeichnung | Denominación | Benämning | Notes |
|------|--------------|----------|---|---|--------|-------------------------|---|------------------------|---------------------------|-----------------------|----------------------------------|-------|
| | | 1 | 2 | 3 | | | | | | | | |
| | VOE 4833424 | 1 | | | SS | Hydr.cylinder | Verin Hydraul. | Druckölzylinder..... | Cilin Hidraul..... | Hydraulicyl..... | 963) | |
| | | 1 | | | | Hydraulic cylinder..... | Verin Hydraulique | Hydraulzylinder | Cilindro Hidraulico | Hydraulicylinder..... | L PROD See group 94, avsn 250 | |
| 1 | VOE 4833425 | 1 | | | | •Cylinder Tube | •Tube Cylindre | •Zylinderrohr..... | •Tubo Cilindro..... | •Cylinderrör..... | | |
| 2 | VOE 4741303 | 1 | | | | •Piston Rod | •Tige Piston..... | •Kolbenstange | •Varilla Piston | •Kolvstång..... | | |
| 3 | VOE 4833432 | 1 | | | | •Pstn Rod Guide | •Gui.tige Piston | •Ko-stang Fuhrg | •Guia Var Piston..... | •Kolvst.styming..... | | |
| 4 | VOE 4784039 | 1 | | | K | •Piston Rod Seal..... | •Eta.tige Piston..... | •Ko-stang Dichtg | •Reten Var Pist..... | •Kolvstångståtn..... | | |
| 5 | VOE 4833433 | 1 | | | | •Spacer Ring..... | •Bagu.entretoise..... | •Abstandring..... | •Anillo Dist..... | •Distansring..... | | |
| 6 | VOE 914516 | 1 | | | | •Snap Ring | •Circlip | •Nutting | •Circlip | •Spårring..... | | |
| 7 | VOE 4784999 | 1 | | | K | •Scraper | •Racleur | •Abstreicher..... | •Rascador..... | •Avstrykare..... | | |
| 8 | VOE 4741302 | 1 | | | | •Piston | •Piston | •Kolben..... | •Piston | •Kolv..... | | |
| 9 | VOE 925067 | 2 | | | K | •O-ring..... | •Joint Torique | •O-ring..... | •Anillo Torico | •O-ring..... | | |
| 10 | VOE 4881024 | 3 | | | K | •Back-up Ring | •Bague Support..... | •Stützring..... | •Anillo Apoyo | •Stödning..... | | |
| 11 | VOE 955898 | 1 | | | | •Washer | •Rondelle..... | •Scheibe..... | •Arandela..... | •Bricka..... | | |
| 12 | VOE 13955884 | 1 | | | | •Castle Nut..... | •Ecrou Crenele•Kronenmutter•Tuerca Corona•Kronmutter..... | | | | (VOE 955884) | |
| 13 | VOE 907847 | 1 | | | | •Cotter Pin..... | •Goupille Fendue | •Splint..... | •Pasador Hendido | •Saxpinne..... | | |
| 14 | VOE 944154 | 1 | | | | •Snap Ring..... | •Circlip | •Nutting | •Circlip | •Spårring..... | | |
| | VOE 11990060 | 1 | | | | Gasket Kit | Kit Joints | Dichtungssatz..... | Juego Juntas..... | Packningsats..... | | |



963) GB: Cylinder tube is marked "424". See illustration fig. A. FR: Tube cylindre marquer "424". Voir illustration fig. A. DE: Das Zylinderrohr ist gekennzeichnet mit "424". Siehe Illustration fig. A. ES: Tubo cilindro marcado "424". Véase ilustración fig. A. SE: Cylinderrör är märkt "424". Se bild pos. A.

| | | | | | |
|---|-----------------------------|--------------|----------------|---------|-----|
| 1 | Hydraulic cylinder E Prod | Catalogue id | 90691 | Group | 924 |
| 2 | Cilindro hidráulico E Prod | Illustr. No | AC290A | Section | 200 |
| 3 | Druckölzylinder E Prod | Issue | VOE 63D9990691 | Page | 623 |
| 4 | Cylindre hydraulique E Prod | | | | |
| 5 | Hydraulic cylinder E Prod | | | | |
| | 90271, 91357, STD USA | | | | |



Im Ersatzteilkatalog sind außer den Artikelnummern auch eine Reihe von Informationen aufgeführt, die man unbedingt kennen sollte. Mit der Kataloganweisung wollen wir auf eine überschaubare Art und Weise zeigen, wie unsere Kataloge aufgebaut und welche Informationen hier enthalten sind.

Gruppe 1 Vorwort und Anweisungen

Hier findet man folgendes:

- Titelseite mit Publikationsnummer
- Eingeführte Änderungen mit sämtlichen eingearbeiteten Ausgaben
- Gruppenregister
- Produktschilder
- Vorwort
- Verzeichnis über eingeführte marktangepasste Ausrüstungen
- Kataloganweisung
- Abkürzungstabelle

Gruppe 2 - 9 Text- und Bildseiten

- Das Inhaltsverzeichnis zeigt die Einteilung der Hauptgruppe in Untergruppen mit Hinweis auf Seite und Abschnitt.
- Bildseite. Die Positionsnummer der Abbildung weist auf die Textseite hin.
- Textseite.
 1. Überschrift
 2. Zusatztext, der die Gültigkeit des Abschnitts begrenzt, z.B. Information über Herstellungsnummer und marktangepasste Ausrüstungen.
 3. Bezeichnung für die Anzahl-Spalten
 4. Abbildungsnummer
 5. Gruppe, Abschnitt, Seite, die bei der Suche im Katalog verwendet werden.
 6. Kataloganweisung und Ausgabebezeichnung
 7. Positionsnummer des Artikels mit dazugehöriger Abbildung.
 8. Artikelnummer
 9. Anzahl. Die Spaltenbezeichnung zeigt, welche Ausführung per Spalte aufgeführt ist. Die angegebene Anzahl betrifft Anzahl pro Maschine oder ggf. pro komplette Einheit. "REQ" bezeichnet die erforderliche Menge, siehe Anmerkungs-spalte.
 10. PS (Parts Status) zeigt den Statuscode des Artikels.
 - "NS" bedeutet, daß der Artikel nicht mehr auf Lager gehalten wird.
 - "SS" bedeutet, daß der Artikel ersetzt wurde.
 Siehe Gruppe 10, Ersetzte Artikel, für weitere Information.

11. KIT. Artikel, die mit einem "K" gekennzeichnet sind, gehören zu einem Satz. Die Nummer des Satzes wird in den meisten Fällen nach den übrigen Artikelnummern angegeben.
12. Bezeichnung. Die Stufenverschiebung zeigt, daß ein oder mehrere Artikel in einer oben aufgeführten zusammengesetzten Einheit enthalten sind. Die Artikel folgen bei der Bestellung der kompletten Einheit mit.
13. Notes (Anmerkung). Hier werden übrige Informationen für einen Artikel aufgeführt:
 - Fußnotennummer, Beispiel (963), wird ganz unten auf der Seite angegeben.
 - Ersetzte Artikel, Beispiel (955884)
 - Produkt- oder Herstellungsnummer
 - Abkürzungen oder technische Informationen
 - Seiten- und Gruppenhinweis

Gruppe 10 Ersetzte Artikel / Nummernregister

- Ersetzte Artikel. Hier sind die mit "SS" markierten (in der PS-Spalte) Artikelnummern mit ihrem Ersatz aufgeführt. Die ersetzten Artikel können wiederum ersetzt worden sein.
- Nummernregister. Hier sind alle im Katalog vorkommenden Artikel aufgeführt, und zwar mit Hinweis auf Gruppe, Abschnitt, Seite.

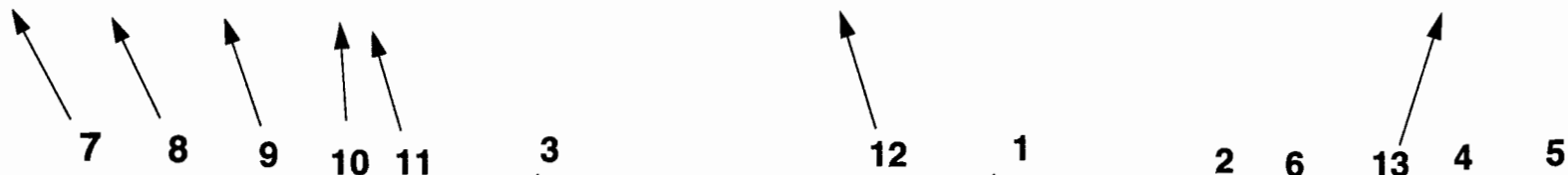
Fortlaufende Verbesserungen und Fortschritte in der Konstruktion können auch bei Ihrer Maschine zu Änderungen führen, die nicht von dieser Schrift umfaßt werden. Jede Ausgabe wird bei Bedarf überarbeitet, um diese Veränderungen bei späteren Ausgaben mit zu berücksichtigen. Weitere Informationen erhalten Sie von Volvo Construction Equipment Customer Support AB, Katalogabteilung.

Jegliche Reproduktion dieses Dokumentes in Auszügen oder in vollem Umfang stellt eine Verletzung der Rechte von Volvo Construction Equipment Customer Support AB dar und wird unter voller Ausschöpfung der gesetzlichen Möglichkeiten strafrechtlich verfolgt. Wir behalten uns das Recht auf Änderungen ohne vorherige Ankündigung vor.
Volvo Construction Equipment Customer Support AB

ERSATZTEILEKATALOGBESTELLANWEISUNGEN

| | |
|--------------------------------|-------------------|
| Catalogue id 20007 | Group 1 |
| Issue VOE 63D9920007 | Page 17 |

| Fig. | Part No. | Quantity | | | P S | K T | Description | Dénomination | Bezeichnung | Denominación | Benämning | Notes |
|------|--------------|----------|---|---|--------|-------------------------|---|------------------------|---------------------------|-----------------------|----------------------------------|-------|
| | | 1 | 2 | 3 | | | | | | | | |
| | VOE 4833424 | 1 | | | SS | Hydr.cylinder | Verin Hydraul. | Druckölzylinder..... | Cilin Hidraul. | Hydraulicyl..... | 963) | |
| | | 1 | | | | Hydraulic cylinder..... | Verin Hydraulique | Hydraulzylinder | Cilindro Hidraulico | Hydraulicylinder..... | L PROD See group 94, avsn 250 | |
| 1 | VOE 4833425 | 1 | | | | •Cylinder Tube | •Tube Cylindre | •Zylinderrohr..... | •Tubo Cilindro..... | •Cylinderrör..... | | |
| 2 | VOE 4741303 | 1 | | | | •Piston Rod | •Tige Piston | •Kolbenstange | •Varilla Piston | •Kolvstång..... | | |
| 3 | VOE 4833432 | 1 | | | | •Pstn Rod Guide | •Gui.tige Piston | •Ko-stang Fuhrg | •Guia Var Piston..... | •Kolvst.styrning..... | | |
| 4 | VOE 4784039 | 1 | | | K | •Piston Rod Seal..... | •Eta.tige Piston..... | •Ko-stang Dichtg | •Reten Var Pist..... | •Kolvstångståtn..... | | |
| 5 | VOE 4833433 | 1 | | | | •Spacer Ring..... | •Bagu.entretoise..... | •Abstandring..... | •Anillo Dist..... | •Distansring..... | | |
| 6 | VOE 914516 | 1 | | | | •Snap Ring | •Circlip | •Nutting | •Circlip | •Spårring..... | | |
| 7 | VOE 4784999 | 1 | | | K | •Scraper | •Racleur | •Abstreicher..... | •Rascador..... | •Avstrykare..... | | |
| 8 | VOE 4741302 | 1 | | | | •Piston..... | •Piston | •Kolben..... | •Piston | •Kolv..... | | |
| 9 | VOE 925067 | 2 | | | K | •O-ring..... | •Joint Torique | •O-ring..... | •Anillo Torico | •O-ring..... | | |
| 10 | VOE 4881024 | 3 | | | K | •Back-up Ring | •Bague Support..... | •Stutzring..... | •Anillo Apoyo | •Stödring..... | | |
| 11 | VOE 955898 | 1 | | | | •Washer | •Rondelle..... | •Scheibe..... | •Arandela..... | •Bricka..... | | |
| 12 | VOE 13955884 | 1 | | | | •Castle Nut..... | •Ecrou Crenele•Kronenmutter•Tuerca Corona•Kronmutter..... | | | | (VOE 955884) | |
| 13 | VOE 907847 | 1 | | | | •Cotter Pin..... | •Goupille Fendue | •Splint..... | •Pasador Hendido | •Saxpinne..... | | |
| 14 | VOE 944154 | 1 | | | | •Snap Ring | •Circlip..... | •Nutting | •Circlip | •Spårring..... | | |
| | VOE 11990060 | 1 | | | | Gasket Kit | Kit Joints | Dichtungssatz..... | Juego Juntas | Packningsats..... | | |



963) GB: Cylinder tube is marked "424". See illustration fig. A. FR: Tube cylindre marquer "424". Voir illustration fig. A. DE: Das Zylinderrohr ist gekennzeichnet mit "424". Siehe Illustration fig. A. ES: Tubo cilindro marcado "424". Véase ilustración fig. A. SE: Cylinderrör är märkt "424". Se bild pos. A.

| | | | | | |
|---|-----------------------------|--------------|----------------|---------|-----|
| 1 | Hydraulic cylinder E Prod | Catalogue id | 90691 | Group | 924 |
| 2 | Cilindro hidráulico E Prod | Illustr. No | AC290A | Section | 200 |
| 3 | Druckölzylinder E Prod | Issue | VOE 63D9990691 | Page | 623 |
| 4 | Cylindre hydraulique E Prod | | | | |
| 5 | Hydraulic cylinder E Prod | | | | |
| | 90271, 91357, STD USA | | | | |



En el catálogo de repuestos se incluye, además de los números de artículo, numerosa información muy útil.

El propósito de la guía es explicar la estructura de los catálogos y la información que se ofrece en los mismos.

Grupo 1 Prefacio e instrucciones

Se encontrará aquí:

- El título y el número de publicación
- Las modificaciones introducidas con todas las ediciones
- El índice de grupos
- Los letreros de producto
- El prefacio
- Una lista sobre los equipos adaptados a los mercados
- La guía al catálogo
- Una tabla de abreviaturas

Grupo 2 - 9 páginas con texto e ilustraciones

- El índice muestra la clasificación de los grupos principales en subgrupos con remisiones a páginas y secciones.
- Página de ilustraciones. Los números de posición de las ilustraciones. Remisiones a páginas de texto.
- Páginas de texto
 1. Rúbrica
 2. Texto adicional que delimita la validez de la sección, por ejemplo, información sobre números de fabricación y equipos según mercado.
 3. Designación para columnas de cantidades.
 4. Número de ilustración.
 5. Grupo, sección, página. Se utilizan al manejar el catálogo
 6. Identificación e indicación de la edición del catálogo.
 7. Números de posición en la ilustración correspondiente.
 8. Números de artículo
 9. Cantidad. Se indica en esta columna la ejecución. El número indicado se refiere a la cantidad por máquina o, si procede, por unidad completa. "REQ" significa la cantidad necesaria, véase la columna de las notas.
- 10. PS (Parts Status) indica el código de estado del artículo.
 - "NS" indica que el artículo no se tiene en stock.

- "SS" indica que el artículo ha sido sustituido.

Para más información, véase el grupo 10, artículos sustituidos.

11. KIT. Los artículos marcados con una "K" forman parte de un juego. El número de juego suele indicarse detrás de los demás números de artículo.
12. Denominación. El desplazamiento indica que en la unidad indicada se incluyen uno o varios artículos. Estos se incluyen en la unidad completa pedida.
13. Notas. Aparecen aquí diversas informaciones relativas a los artículos:
 - Números de notas de pie de página; ej. 963) aparece al final de la página.
 - Artículos sustituidos. Ej. (955884)
 - Números de producto o fabricación.
 - Abreviaturas e información técnica.
 - Remisiones a páginas y grupos.

Grupo 10 Artículos sustituidos/Índice de números

- Artículos sustituidos. Se marcan aquí con "SS" (en la columna PS) los números de artículo con sus sustituciones. Los artículos sustituidos, a su vez, pueden haber sido sustituidos, etc.
- Índice de números. Aparecen aquí todos los artículos existentes en el catálogo con remisión a grupo, sección y página.

En su modelo de máquina pueden haberse introducido mejoras que no aparecen en esta publicación. Las publicaciones son revisadas para incluir las mejoras en ediciones posteriores. Para más información, diríjase a Volvo Construction Equipment Customer Support AB, Katalogavdelningen.

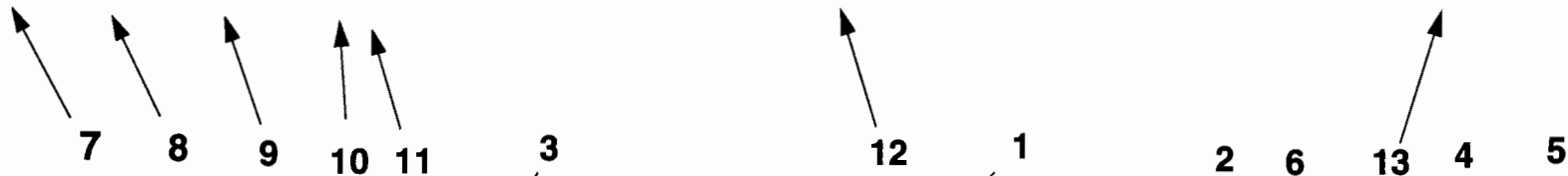
Este documento está protegido por los derechos de autor y por lo tanto está prohibida su copia, impresión o cualquier otro tipo de reproducción indebida. La infracción de esta prohibición será penalizada. Reservado el derecho a introducir modificaciones.

Volvo Construction Equipment Customer Support AB

CATALOGO DE PIEZAS INSTRUCCIONES

| | |
|--------------------------------|-------------------|
| Catalogue id 20007 | Group 1 |
| Issue VOE 63D9920007 | Page 19 |

| Fig. | Part No. | Quantity | | | P S | K T | Description | Dénomination | Bezeichnung | Denominación | Benämning | Notes |
|------|---------------------|----------|---|---|--------|-------------------------|--|------------------------|---------------------------|-----------------------|----------------------------------|-------|
| | | 1 | 2 | 3 | | | | | | | | |
| | VOE 4833424 | 1 | | | SS | Hydr.cylinder | Verin Hydraul. | Druckölzylinder..... | Cilin Hidraul..... | Hydraulicyl..... | 963) | |
| | | 1 | | | | Hydraulic cylinder..... | Verin Hydraulique | Hydraulzylinder | Cilindro Hidraulico | Hydraulicylinder..... | L PROD See group 94, avsn 250 | |
| 1 | VOE 4833425 | 1 | | | | •Cylinder Tube | •Tube Cylindre | •Zylinderrohr..... | •Tubo Cilindro..... | •Cylinderrör..... | | |
| 2 | VOE 4741303 | 1 | | | | •Piston Rod | •Tige Piston | •Kolbenstange | •Varilla Piston | •Kolvstång..... | | |
| 3 | VOE 4833432 | 1 | | | | •Pstn Rod Guide | •Gui.tige Piston | •Ko-stang Fuhrg | •Guia Var Piston | •Kolvst.styrning..... | | |
| 4 | VOE 4784039 | 1 | | | K | •Piston Rod Seal..... | •Eta.tige Piston..... | •Ko-stang Dichtg | •Reten Var Pist..... | •Kolvstångståtn..... | | |
| 5 | VOE 4833433 | 1 | | | | •Spacer Ring | •Bagu.entretoise..... | •Abstandring..... | •Anillo Dist | •Distansring..... | | |
| 6 | VOE 914516 | 1 | | | | •Snap Ring | •Circlip | •Nutring | •Circlip | •Sparring..... | | |
| 7 | VOE 4784999 | 1 | | | K | •Scraper | •Racleur | •Abstreicher..... | •Rascador..... | •Avstrykare..... | | |
| 8 | VOE 4741302 | 1 | | | | •Piston..... | •Piston..... | •Kolben..... | •Piston | •Kolv..... | | |
| 9 | VOE 925067 | 2 | | | K | •O-ring..... | •Joint Torique | •O-ring | •Anillo Torico | •O-ring..... | | |
| 10 | VOE 4881024 | 3 | | | K | •Back-up Ring | •Bague Support..... | •Stutzring..... | •Anillo Apoyo | •Stödring..... | | |
| 11 | VOE 955898 | 1 | | | | •Washer | •Rondelle | •Scheibe | •Arandela..... | •Bricka..... | | |
| 12 | VOE 13955884 | 1 | | | | •Castle Nut..... | •Ecrou Crenele•Kronenmutter•Tuera Corona•Kronmutter..... | | | | (VOE 955884) | |
| 13 | VOE 907847 | 1 | | | | •Cotter Pin..... | •Goupille Fendue | •Splint..... | •Pasador Hendido | •Saxpinne..... | | |
| 14 | VOE 944154 | 1 | | | | •Snap Ring | •Circlip | •Nutring | •Circlip | •Sparring..... | | |
| | VOE 11990060 | 1 | | | | Gasket Kit | Kit Joints | Dichtungssatz..... | Juego Juntas..... | Packningsats..... | | |



963) **GB:** Cylinder tube is marked "424". See illustration fig. A. **FR:** Tube cylindre marquer "424". Voir illustration fig. A. **DE:** Das Zylinderrohr ist gekennzeichnet mit "424". Siehe Illustration fig. A. **ES:** Tubo cilindro marcado "424". Véase ilustración fig. A. **SE:** Cylinderrör är märkt "424". Se bild pos. A.

| | | | | | | |
|---|--|-----------------------------|--------------|----------------|---------|-----|
| 1 | | Hydraulicylinder E Prod | Catalogue id | 90691 | Group | 924 |
| 2 | | Cilindro hidráulico E Prod | Illustr. No | AC290A | Section | 200 |
| 3 | | Druckölzylinder E Prod | Issue | VOE 63D9990691 | Page | 623 |
| 4 | | Cylindre hydraulique E Prod | | | | |
| 5 | | Hydraulic cylinder E Prod | | | | |
| | | 90271, 91357, STD USA | | | | |



I reservdelskatalogen presenteras förutom artikelnummer också en mängd information som är viktig att känna till. Med katalogguiden vill vi på ett överskådligt sätt visa hur våra kataloger är uppbyggda och vad det är för information som presenteras.

Grupp 1 Förord och anvisningar

Här finner man följande:

- Titelsida med publikationsnummer
- Införda ändringar med samtliga inarbetade utgåvor
- Gruppregister
- Produktskyltar
- Förord
- Förteckning över införda marknadsanpassade utrustningar
- Katalogguiden
- Förkortningstabell

Grupp 2 - 9 Text- och bildsidor

- Innehållsförteckningen visar huvudgruppens indelning i undergrupper med hänvisning till sida och avsnitt.
- Bildsida. Illustrationens positionsnr. hänvisar till textsidan
- Textsida
 1. Rubrik
 2. Tilläggstext som begränsar avsnittets giltighet t.ex information om tillverkningsnummer och marknadsanpassade utrustningar.
 3. Beteckning för antalskolumner
 4. Illustrationsnr.
 5. Grupp, avsnitt, sida, användes då man söker i katalogen
 6. Katalogid. och utgåveteckning
 7. Artikelns positionsnummer på tillhörande illustration
 8. Artikelnummer
 9. Antal. Kolumnbeteckningen visar vilket utförande som redovisas per kolumn. Angivet antal avser, antal per maskin eller i förekommande fall, per komplettenhet. "REQ" avser erforderlig mängd, se Notes- kolumn.
- 10. PS (Parts Status) visar artikelns statuskod.
 - "NS" betyder att artikeln inte lagerföres.
 - "SS" Betyder att artikeln är ersatt.
 Se grupp 10, ersatta artiklar för vidare information.

11. KIT. Artiklar som är markerade med ett "K" ingår i en sats. Satsens nummer redovisas oftast efter övriga artikelnummer.
12. Benämning. Stegförskjutning visar om en eller flera artiklar ingår i en ovanför redovisad sammansatt enhet. Artiklarna medföljer vid beställning av den kompletta enheten.
13. Notes (Anmärkning). Här redovisas övrig information för en artikel;
 - Fotnotsnr, Ex. 963) återges längst ned på sidan.
 - Ersatta artiklar. Ex. (955884)
 - Produkt- eller tillverkningsnummer
 - Förkortningar och tekniska upplysningar
 - Sid- och grupphänvisning.

Grupp 10 Ersatta artiklar / Nummerregister

- Ersatta artiklar. Här återfinns de med "SS" markerade (i PS -kolumn) artikelnumren med sina ersättningar. De ersättande artiklarna kan i sin tur vara ersatta osv.
- Nummerregister. Här finns alla i katalogen förekommande artiklar med hänvisning till grupp, avsnitt, sida.

Fortsatta förbättringar och framsteg vad det gäller konstruktion kan förorsaka förändringar på din maskin som inte omfattas av denna publikation. Varje publikation revideras vid behov för att inkludera dessa förändringar i senare utgåvor. För vidare information kontakta Volvo Construction Equipment Customer Support AB, Katalogavdelningen.

Detta dokument är upphovsrättsligt skyddat och åtnjuter därför skydd mot otillbörlig kopiering, eftertryck eller annan avbildning. Överträdelse mot detta förbud är förenat med straffansvar. Rätt till ändringar förbehålles.

Volvo Construction Equipment Customer Support AB

| TABLE OF ABBREVIATION | | PABLO DE ABBREVIATIONS | | | Catalogue id | Group |
|--|------------------------------------|---------------------------------|-------------------------|------------------------------------|------------------------|-------|
| POUR LA LISTE DES ABRÉVIATIONS EMPLOYÉES | | FÖRKORTNINGSTABELL | | | 20007 | 1 |
| ABKÜRZUNGSVERZEICHNIS | | | | | Issue | Page |
| | | | | | VOE 63D9920007 | 22 |
| ABBREVIATION | ENGLISH | FRANÇAIS | DEUTSCH | ESPAÑOL | SVENSKA | |
| A | ampere | ampère | Ampere | amperio | ampere | |
| ALT | alternative | alternative | wahlweise | alternativa | alternativ | |
| AWD | All Wheel Drive | Toutes roues motrices | Allradantrieb | Tracción en las todas las ruedas | Allhjulsdrift | |
| AX ####- | as from axle No. | à partir du N° d'essieu | ab Achsennr. | a partir del eje nro | fr o m axel nr | |
| AX - #### | up to and incl. axle No. | jusqu'au N° d'essieu | bis Achsennr. | hasta el eje nro | t o m axel nr | |
| BL | black | noir | schwarz | negro | svart | |
| BLUE | blue | bleu | blau | azul | blå | |
| BR | brown | brun | braun | marrón | brun | |
| BRA | Brazil | Brésil | Brasilien | Brasil | Brasilien | |
| CAB #### - | as from cab No. | à partir du N° de cabine | ab Kabinen-herstellnr. | a partir de la cabina | fr o m hytt nr | |
| CAB - #### | up to and incl. cab No. | jusqu'au N° de cabine | bis Kabinen-herstellnr. | hasta la cabina nro | t o m hytt nr | |
| CAN | Canada | Canada | Kanada | Canadá | Kanada | |
| CENT | centre | au milieu | Mittlere | central | mittre | |
| CHN | China | Chine | China | China | Kina | |
| CPL | complete | complet | komplett | completo | komplett | |
| CU M | cubic metre | mètre cube | Kubikmeter | metro cúbico | kubikmeter | |
| DEG | numbers of degrees, C° | nombres de degré de chaleur, C° | Anzahl in Graden C° | numero de grado de calor, C° | antal grader, C° | |
| DELETED | deleted | supprimé | Nicht mehr lieferbar | Retirado | utgått | |
| DEU | Germany | Allemagne | Deutschland | Alemania | Tyskland | |
| DNK | Denmark | Danemark | Dänemark | Dinamarca | Danmark | |
| EEC | European Economic Community (EEC) | pays du marche commun (EEC) | EU-Markt (EEC) | el mercado común (EEC) | EU-marknad (EEC) | |
| ENG | Engine | moteur | Motor | motor | motor | |
| ENG #### - | as from engine No. | à partir du N° de moteur | ab Motornr. | a partir del motor nro | fr o m motor nr | |
| ENG - #### | up to and incl. engine No. | jusqu'au N° de moteur | bis Motornr. | hasta el motor nro | t o m motor nr | |
| E PROD | early production | production antérieure | Frühere Ausführung | producción anterior | tidigare utförande | |
| ESP | Spain | Espagne | Spanien | España | Spanien | |
| EXC ### - | as from excavator unit No. | à partir du N° d'excavateur | Ab Bagger-Aggregatnr. | a partir de agregado excavador nro | fr o m grävaggregat nr | |
| EXC - ### | up to and incl. excavator unit No. | jusqu'au N° d'excavateur | bis Bagger-Aggregatnr | hasta el agregado excavador nro | t o m grävaggregat nr | |
| EXCL | excluding | exclus | ausschliesslich | exclusivo | exklusive | |
| FIN | Finland | Finlande | Finnland | Finlandia | Finland | |
| FORW | forward | avant | vordere | delante | främre | |
| FRA | France | France | Frankreich | Francia | Frankrike | |
| GBR | Great Britain | Angleterre | England | Inglaterra | Storbritannien | |

| ABBREVIATION | ENGLISH | FRANÇAIS | DEUTSCH | ESPAÑOL | SVENSKA |
|--------------|--|--|-------------------------------|--|-------------------------------|
| GRAM | gram | gramme | Gramm | gramo | gram |
| GREEN | green | vert | grün | verde | grön |
| GREY | grey | gris | grau | gris | grå |
| HT #### - | as from hydraulic transmission No. | à partir du transmission hydraulique N° | ab Hydraulikgetriebe | a partir de transmisión hidráulico nro | fr o m hydraultransmission nr |
| HT - #### | up to and incl. hydraulic transmission No. | jusqu'au transmission hydraulique N° | bis Hydraulikgetriebe | hasta el transmisión hidráulico nro | t o m hydraultransmission nr |
| ID | diameter, inner | diamètre, intérieur | Innendurchmesser | diámetro, interior | diameter, inre |
| IN | inche(s) | pouce | Zoll | pulgada | tum |
| INCL | inclusive | inclus | einschliesslich | inclusive | inklusive |
| INCL IN | included in | inclus dans | gehört zur | forma parte de | ingår i |
| INNER | inner | intérieur | innen | interior | inre |
| IRN | Iran | | der Iran | | Iran |
| ITA | Italy | Italie | Italien | Italia | Italien |
| ITEM NO | see item No. | voir position | siehe Position Nr. | véase posición | se positionsnummer |
| K | included in parts kits | fait partie du jeu complet de réparation | gehört zur Satzverpackung | forma parte del juego por juego | ingår i satsförpackning |
| KOR | Korea | Corée | Korea | Corea | Korea |
| L | litre, length | litre, longueur | Liter, Länge | litros, longitud | liter, längd |
| LH | left | gauche | links | izquierdo | vänster |
| LOAD #### - | as from loading unit No. | à partir du N° de chargeur | ab Hubaggregatnr. | a partir du unibad carga nro | t o m lastaggregat nr |
| LOAD - #### | up to and incl. loading unit No. | jusqu'au N° de chargeur | bis Hubaggregatnr. | hasta unidad carga nro | t o m lastaggregat nr |
| LOW | lower | dessous | unten | inferior | undre |
| L PROD | late production | production postérieure | jetzige Ausführung | producción posterior | senare utförande |
| MARKED | marked | marque de | gekennzeichnet mit | marcado | märkt med |
| MODEL | model designation | Désignation de modèle | Modellbezeichnung | Designación de modelo | modellbeteckning |
| ML | millilitre | millilitre | Milliliter | mililitro | milliliter |
| MM | millimetre | millimètre | Millimeter | milímetros | millimeter |
| NLD | Netherlands | Pays-Bas | Holland | Holanda | Nederländerna |
| NO | number | numéro | Nummer | número | nummer |
| NOR | Norway | Norvège | Norwegen | Noruega | Norge |
| NS | part not stocked as spare | n'est pas stocké comme pièce de rechange | nicht als Ersatzteil vorrätig | no disponible como repuesto | detaljen lagerföres ej som |
| O SZ | over size | côte supérieur | Übergrosse | sobredimensión | överdimension |
| OD | diameter, outer | diamètre extérieur | Aussendurchmesser | diámetro, exterior | diameter, yttre |

TABLE OF ABBREVIATION

POUR LA LISTE DES ABRÉVIATIONS EMPLOYÉES

ABKÜRZUNGSVERZEICHNIS

PABLO DE ABREVIATIONS

FÖRKORTNINGSTABELL

| | |
|-----------------------|-----------|
| Catalogue id | Group |
| 20007 | 1 |
| Issue | Page |
| VOE 63D9920007 | 23 |

VOLVO

L90E

| TABLE OF ABBREVIATION | | | | | PABLO DE ABBREVIATIONS | |
|--|---------------------------------------|--|--|---|---------------------------------------|-------|
| POUR LA LISTE DES ABRÉVIATIONS EMPLOYÉES | | | | | FÖRKORTNINGSTABELL | |
| ABKÜRZUNGSVERZEICHNIS | | | | | Catalogue id | Group |
| | | | | | 20007 | 1 |
| | | | | | Issue | Page |
| | | | | | VOE 63D9920007 | 24 |
| ABBREVIATION | ENGLISH | FRANÇAIS | DEUTSCH | ESPAÑOL | SVENSKA | |
| OR | orange | orange | orange | naranja | orange | |
| ORDER | order | commander | bestellen | hacer un pedido | beställ | |
| OUTER | outer | extérieur | aussen | exterior | yttre | |
| PAGE | see page | voir page | siehe Seite | véase página | se sida | |
| PAIR | pair | paire | Paar | par | par | |
| PCS | piece(s) | pièce | Stück | cada uno | styck | |
| PIN | product identification number | Numéro d'identification de produit | Produktidentifizierungs-Nummer | Número de identificación del producto | produktidentifikationsnummer | |
| PINK | pink | rose | rosa | rosa | rosa | |
| PROD NO | product No. | N° de produit | Produktnr. | nro de producto | produktnummer | |
| PRT | Portugal | Portugal | Portugal | Portugal | Portugal | |
| Q | Quantity l/min | Quantité l/min | Quantität l/min | Cantidad l/min | Kvantitet l/min | |
| REAR | rear | arrière | hinten | detrás | bakre | |
| RED | red | rouge | rot | rojo | röd | |
| REPL BY - | replaced by | remplacé par | ersetzt durch | substituido por | ersättes av | |
| REQ# | order as required, | quantité nécessaire, | erforderliche Anzahl | cantidad necesaria, | erforderligt antal, | |
| RH | right | droite | rechts | derecha | höger | |
| SE | alternative spare part version exists | une version pièce de rechange existe également | Alternative Ersatzteilausführung lieferbar | Existen otras versiones de las piezas de repuesto | alternativt reservdelsutförande finns | |
| SEE GROUP | see group | voir groupe | siehe Gruppe | véase grupo | se grupp | |
| SEE SB | see Service Bulletin | voir bulletin de service | siehe Kundendienstmitteilung | ver boletin de servicio | se servicemeddelande | |
| SER NO # - | as from serial No. | à partir du N° de fabrication | ab Fabrikationsnr. | a partir de fabric. nro | fr o m tillverkningsnr | |
| SER NO - # | up to and incl. serial No. | jusqu'au N° de fabrication | bis Fabrikationsnr. | hasta el fabric. nro | t o m tillverkningsnr | |
| S/N ##### - | as from serial No. | à partir du N° de série | ab Fabrikationsnr. | a partir de fabricación nro. | fr o m tillverkningsnr | |
| S/N - ##### | up to and incl. serial No. | jusqu'au N° de série | bis Fabrikationsnr. | hasta el fabricación nro. | t o m tillverkningsnr | |
| SUPPL | supplementary details, no spare part | indication compléter | zusätzliche Angaben | parte completar | kompletterande uppgift, ej reservdel | |
| SPECIAL | special model | construction spéciale | Sonderausführung | modelo especial | specialutförande | |
| SQ MM | square millimeters | millimètre carré | Quadratmillimeter | milímetros cuadrados | kvadratmillimeter | |
| SS | superseded part | pièce remplacée | ersetztes Teil | pieza substituida | ersatt artikel | |
| STD | standard version | version standard | Standardausführung | versión standard | standardutförande | |
| STD SZ | standard size | dimension standard | Standardabmessung | dimensión standard | standarddimension | |
| SWE | Sweden | Suède | Schweden | Suecia | Sverige | |
| THICK | thickness | épaisseur | Dicke | espesor | tjocklek | |
| TM NO # - | as from transmission No. | à partir du N° de transmission | ab Getriebe nr. | a partir de transmisión nro | fr o m transmission nr | |
| TM NO - # | up to and incl. transmission No. | jusqu'au N° de transmission | bis Getriebe nr. | hasta el de transmisión nro | t o m transmission nr | |
| UPPER | upper | supérieur | oben | superior | övre | |

| ABBREVIATION | ENGLISH | FRANÇAIS | DEUTSCH | ESPAÑOL | SVENSKA |
|--------------|--------------------------|----------------|--------------------|----------------|----------------|
| USA | United States of America | États-Unis | Vereinigte Staaten | Estados Unidos | USA |
| U SZ | under size | côte interieur | Untergrösse | subdimensión | underdimension |
| V | volt | volt | Volt | voltio | volt |
| VIOL | violet | violet | violett | violeta | violett |
| W | Watt | watt | Watt | watio | watt |
| WHITE | white | blanc | weiss | blanco | vit |
| WID | width | largeur | Breite | ancho | bredd |
| YELL | yellow | jaune | gelb | amarillo | gul |
| ZAF | South Africa | Afrique du Sud | Südafrika | Sudáfrica | Sydafrika |

| | | | |
|---|--|----------------|-------|
| TABLE OF ABBREVIATION POUR LA LISTE DES ABRÉVIATIONS EMPLOYÉES ABKÜRZUNGSVERZEICHNIS | PABLO DE ABBREVIATIONS FÖRKORTNINGSTABELL | Catalogue id | Group |
| | | 20007 | 1 |
| | | Issue | Page |
| | | VOE 63D9920007 | 25 |

VOLVO

L90E

| | | | |
|--|---|--------------------------------|--------------------|
| PRODUCT AND EQUIPMENT VARIANTS | VARIANTES DE PRODUCTOS Y EQUIPAMIENTOS | Catalogue id 20007 | Group 1 |
| VARIANTES DE PRODUITS ET D'EQUIPMENTS | PRODUKT- OCH UTRUSTNINGSVARIANTER | Issue VOE 63D9920007 | Page 26 |
| PRODUKT- UND AUSRÜSTUNGSVARIANTEN | | | |
| Equipment | Kit No | Description | |
| | Equipment | Kit No | Description |

| | | | | |
|----|----------|---|-------|--|
| | 11172408 | Engine Moteur Motor Motor Motor VOLVO D6D LAE2 | 33277 | Cab Cabine Fahrerhaus Cabina Hytt |
| | 22523 | Hydraulic transmission Transmission hydraulique Hydraulikantrieb Transmision hidraulica Hydraultransmission HTE202, SER NO - 20095, SER NO - 66019 USA, SER | 33278 | VOLVO Wheel Loader VOLVO Chargeuse sur pneus VOLVO Radlader VOLVO Caragadora sobre rueda VOLVO Hjullastare |
| NO | | 70802 BRAZIL | 33282 | Loading unit Groupe chargeur Laderaggregat Unidad carga Lastaggregat |
| | 22548 | Hydraulic transmission Transmission hydraulique Hydraulikantrieb Transmision hidraulica Hydraultransmission HTE202, SER NO 20096 - ,SER NO 66020 - USA, SER NO 70803 - BRAZIL | 33285 | Loading unit Groupe chargeur Laderaggregat Unidad carga Lastaggregat |
| | 23919 | Driving axle Essiue moteur Planetenwelle Eje motriz Drivaxel AWB 25 | 33286 | Wheel loader Chargeuse sur pneus Radlader Cargadora sobre ruedas Hjullastare L90E OPEN ROPS |
| | 23920 | Driving axle Essiue moteur Planetenwelle Eje motriz Drivaxel AWB 20 | 33287 | Cab. Open Rops Cabine. Open Rops Kabine. Open Rops Cabina. Open Rops Hytt. Open Rops |

((((((((

| Equipment | Kit No | Description | Equipment | Kit No | Description |
|-----------|--------------|---|-----------|--------------|---|
| 33359 | | VOLVO Wheel Loader VOLVO Chargeuse sur pneus VOLVO Radlader VOLVO Caragadora sobre rueda VOLVO Hjullastare L110E | 80317 | VOE 11707856 | Alternator Alternateur Generator Alternador Generator 80A |
| 80144 | | Window guards, side and rear windows Grille protection, vitre laterale y lunrte AR Schutzgitter, Seitenscheibe und Heckfenster Rejilla proteccion, ventana lateral et luneta post Skyddsgaller, sidorutor och bakruta | 80322 | | Adjustable steering wheel Volant réglable Lenkrad, verstellbar Volant ajustable Ställbar ratt |
| 80221 | VOE 11705485 | Asbestos dust protection filter Filtre, contre asbeste Filter, gegen asbest Filtro, contra asbesto Asbestskyddsfilter | 80348 | | Parking brake alarm Alarme frein a main Handbremsanzeiger Alarma freno estacionam Parkeringsbromsalar |
| 80307 | | Sun blinds, side windows Jalousie Sonnenvorhang Cortina Parasol Solskyddsgardiner, sido-rutorna | 80352 | | Side marker lamps Feu gabarit lateral Seitenbegrenzungsleuchte Lampara enmarcacion Sidomarkeringslykta |
| 80308 | VOE 11707319 | Sun blinds front and rearwindow Jalousie Sonnenvorhang Cortina Parasol Solskyddsgardiner, fram- och bakruta | 80390 | | Radio with tape recorder Radio avec magnétophone Radio mit Tonbandgerät Radiocassette Radio med bandspelare CR 502 |
| 80309 | | Steering knob Volant Bille Lenkrad Kugel Volante Bola Rattkula | | | |

PRODUCT AND EQUIPMENT VARIANTS

VARIANTES DE PRODUCTOS Y EQUIPAMIENTOS

VARIANTES DE PRODUITS ET D'EQUIPMENTS

PRODUKT- OCH UTRUSTNINGSVARIANTER

PRODUKT- UND AUSRÜSTUNGSVARIANTEN

PRODUCT AND EQUIPMENT VARIANTS

VARIANTES DE PRODUCTOS Y EQUIPAMIENTOS

VARIANTES DE PRODUITS ET D'EQUIPMENTS

PRODUKT- OCH UTRUSTNINGSVARIANTER

PRODUKT- UND AUSRÜSTUNGSVARIANTEN

| | |
|------------------------------|-------------------|
| Catalogue id 20007 | Group 1 |
| Issue VOE 63D9920007 | Page 27 |

VOLVO

L90E

| Equipment | Kit No | Description | Equipment | Kit No | Description |
|-----------|--------------|---|-----------|--------------|---|
| 80800 | | Tool Box Caisse outil Werkzeugkasten Caja herramientas Verktygslåda | 80884 | | Light, licence plate Eclaire de plaque Nummernschildbeleuchtung Alumbrado places matricula Belysning, registreringsskylt |
| 80801 | | Radiator, corrosion protected Radiateur, refr. d'huile traités antic. Korrosionsgeschützter Kühler Radiador, protección anticorrosiva Kylare, korrosionsskyddad | 80886 | VOE 11708782 | Attachment lights Eclairage outil Gerätesscheinwerfer Iluminacion herramientas Redskapsbelysning |
| 80813 | VOE 11708987 | Air conditioning Climatisation Klimatanlage Acondicionador de aire Luftkonditionering <i>FOR REFRIGERANT R134a</i> | 80890 | | Smm - sign Enseigne, Lgf Schilder, Lgf Placa velocidad limitada Lgf - skylt |
| 80868 | VOE 11708987 | Air conditioning Climatisation Klimatanlage Acondicionador de aire Luftkonditionering <i>FOR REFRIGERANT R134a</i> | 80891 | | Sign Plaque Schild Letrero Skylt <i>50 km/h</i> |
| 80883 | | Back-up alarm Avertisseur recul Rückfahrwarner Avisador retroceso Backvarnare | 80929 | VOE 11988219 | Comfort Drive Control, CDC Comfort Drive Control, CDC CDC-komfort-lenk- und Fahrschaltung Conducción de confort, CDC Spakstyrning, CDC |
| | | | 80930 | VOE 11988254 | Hydraulic system, 3rd and 4th function Système hydraulique, 3ème et 4ème fonction Druckölsystem, 3. und 4. Funktion Sistema hidráulico, 3a y 4a función Hydraulsystem, 3:e och 4:e funktion |

| | | | |
|--|---|--------------------------------|-------------------|
| PRODUCT AND EQUIPMENT VARIANTS | VARIANTES DE PRODUCTOS Y EQUIPAMIENTOS | Catalogue id 20007 | Group 1 |
| VARIANTES DE PRODUITS ET D'EQUIPMENTS | PRODUKT- OCH UTRUSTNINGSVARIANTER | Issue VOE 63D9920007 | Page 29 |
| PRODUKT- UND AUSRÜSTUNGSVARIANTEN | | | |

VOLVO

L90E

| PRODUCT AND EQUIPMENT VARIANTS | | | VARIANTES DE PRODUCTOS Y EQUIPAMIENTOS | | | Catalogue id 20007 | Group 1 |
|--|--------|-------------|---|--------|-------------|--------------------------------|-------------------|
| VARIANTES DE PRODUITS ET D'EQUIPMENTS | | | PRODUKT- OCH UTRUSTNINGSVARIANTER | | | Issue VOE 63D9920007 | Page 30 |
| PRODUKT- UND AUSRÜSTUNGSVARIANTEN | | | | | | | |
| Equipment | Kit No | Description | Equipment | Kit No | Description | | |

80931
 Boom suspension
 Amort. vibration
 Schwing dämpfer
 Amort. vibracion
 Lastarmsfjädring
 BSS

82151
 Battery
 Bateria
 Batterie
 Batterie
 Batteri
 USA

80932
 Secondary steering
 Direction de secours
 Hilfslenkung
 Dirección de reserva
 Reservstyrning

82173
 Loud horn electrically
 Avertisseur ton fort
 Starktonfanfare
 Tono alto bocina
 Starktonshorn, el.

80933 VOE 11988261
 Separate attachment locking, STD Boom
 Verrouillage des accessoi, STD fleche
 Geräteschnellkupplung, STD Ausleger
 Cierre de implemento, STD pluma
 Redskapslåsnig, STD boom

82174
 Side marker lamps
 Feu gabarit lateral
 Seitenbegrenzungsleuchte
 Lampara enmarcacion
 Sidomarkeringslykta

80943 VOE 1039846
 Work lights, cab, rear, extra
 Lampe travail, AR
 Arbeitslampe, hinter
 Lampara de trabajo, trasero
 Arbetsbelysning hytt, bak, extra

82175
 Asymmetrical headlights left hand drive
 Projecteur, gauche assymétrique
 Fahrlicht, links asymmetrisch
 Alumbrado asimétrico izquierdo
 Färdljus vänsterasymmetriskt

80945 VOE 11988660
 Pre-cleaner oil bath type
 Förrenare oljebadstyp

82178 VOE 11708916
 Back-up camera incl. monitor
 Caméra de vision AR, écran compris
 Rückfahrkamera einschl. Monitor
 Cámara de retrovisión con monitor incluido
 Back-kamera inkl monitor

82050
 Hydraulic function, 3rd
 3ème fonction hydraulique
 3. Hydraulikfunktion
 3a función hidráulica
 Hydraulfunktion 3:e

82199
 Rotating beacon with col-lapsible mounting
 Avertisseur lumineux a' feu tournant
 Drehfeuerleuchte
 Farol de señal con luz revoladora
 Roterande varningsljus med fällbart fäste

| Equipment | Kit No | Description | Equipment | Kit No | Description |
|-----------|--------|--|-----------|--------------|--|
| 82216 | | Guards for pipes and lift cylinder hoses Protections pour les conduits et flexibles des vérins de Schutz für Auslegerzylinderschläuche und -rohre Protecciones de tubos y mangueras del cilindro de la p Skydd för rör och lyftcylinderslangar | 82304 | | Protective plate under cab Plaques de protection sous la cabine Schutzbleche unter der Kabine Placas de protección debajo de la cabina Skyddsplåt under hytt |
| 82236 | | Belly guard, front Tôle capotage, AV Schutzblech, vorn Defensa, delantero Bukplåt, främre | 82307 | | Automatic back-up light Feu de recul automatique Automatische Rückfahrleuchte Luces automáticas de marcha atrás Automatiskt backljus |
| 82245 | | Hub protection Protection de moyeu Nabenschutz Protección de cubo Navskydd | 82310 | | Pre cleaner Sy-klone Préfiltre type Sy-klone Vorreiniger Sy-Klone-Typ Prefiltro de tipo ciclónico Förrenare Cyklontyp |
| 82259 | | Redskapsfäste vridbart. Direktinfäst | 82325 | VOE 11988198 | Single lever hydraulic control, three functions Commande levier simple. Einhebel regler. Reglaje de palanca sencilla. Enspaksreglage, hydraulreglage, tre funktioner |
| 82260 | | Redskapsfäste vridbart. Redskapsinfäst | | | |
| 82280 | | Valve cover, front frame Tole recouvrement, chassis AV Abdeckblech, Vorderrahmen Placa tapa, marco delantero Täckplåt, framram | 82326 | | Single lever hydraulic control, two functions Commande levier simple. Einhebel regler. Reglaje de palanca sencilla. Enspaksreglage, hydraulreglage, två funktioner |
| 82292 | | Fan air intake protection extra fine-meshed Grillage de protection à fine maille pour le ventilateur d Schutz für Lufteinlass, extra feinmaschig Protección de la admisión de aire, malla muy fina Skydd för luftintag, extra finmaskigt | 82331 | | Radio with tape player Radio et lecteur de cassettes Radio mit Kassettenrecorder Radiocassette Radio med bandspelare |

PRODUCT AND EQUIPMENT VARIANTS

VARIANTES DE PRODUITS ET D'EQUIPMENTS

PRODUKT- UND AUSRÜSTUNGSVARIANTEN

VARIANTES DE PRODUCTOS Y EQUIPAMIENTOS

PRODUKT- OCH UTRUSTNINGSVARIANTER

Catalogue id
20007

Group
1

Issue
VOE 63D9920007

Page
31

VOLVO

L90E

| | | | |
|--|---|--------------------------------|-------------------|
| PRODUCT AND EQUIPMENT VARIANTS | VARIANTES DE PRODUCTOS Y EQUIPAMIENTOS | Catalogue id 20007 | Group 1 |
| VARIANTES DE PRODUITS ET D'EQUIPMENTS | PRODUKT- OCH UTRUSTNINGSVARIANTER | Issue VOE 63D9920007 | Page 32 |
| PRODUKT- UND AUSRÜSTUNGSVARIANTEN | | | |

| Equipment | Kit No | Description | Equipment | Kit No | Description |
|-----------|--------------|---|-----------|--------------|--|
| 82332 | | Radio with Cd-player Radio et lecteur de CD Radio mit CD-Spieler Radio con reproductor de CD Radio med Cd-spelare | 82378 | | Automatic greasing system Graissage central Zentralschmierung Lubricación central Centralsmörjning |
| 82342 | VOE 11988279 | Work lights front, extra Eclairage de travail suppl`ementaire Zusätzliche Arbeitsbeleuchtung Alumbrado de trabajo, extra Arbetsbelysn. främre, extra | 82393 | VOE 11988661 | Engine block heater 120 V USA Chauffe-moteur 120 V, USA Motorwärmer 120 V, USA Calentador de motor 120 V, EE UU Motorvärmare 120 V, USA |
| 82349 | | Belly guard, rear Tôle capotage, AR Schutzblech, hintere Defensa, trasero Bukplåt, bakre | 82394 | VOE 11988218 | Engine block heater 220v Chauffe-moteur 220v Motorwärmer 220v Calefactor mototr 220v Calefactor motor 220v |
| 82355 | | Autom. lubrication system for grease, Nlgi No. 2 Lubrification automatique pour graisse Nlgi No 2 Automatische Schmierung für universalfett Nlgi 2 Lubrification automático para grasa Nlgi No 2 Centralsmörjning för universalfett Nlgi Nr 2 | 82492 | VOE 11988664 | Windscreen protection Grillage de protection pare brise Schutzgitter Frontscheibe Rejilla de protección parabrisas delantero Skyddsgaller framruta |
| 82368 | | Cover plates rear frame, right and left side Tôles de protection, châssis AR, côtés gauche et droit Schutzbleche Hinterrahmen, links und rechts Chapas de protección bastidor trasero, lado derecho y Skyddsplåtar bakram, vänster och höger sida | 82546 | | Air filter for alternator Filtre à air pour l'alternateur Lufffilter für Generator Filtro de aire para alternador Lufffilter för generator |
| 82377 | | Autom. lubrication system for grease, Nlgi No. 2 Lubrification automatique pour graisse Nlgi No 2 Automatische Schmierung für universalfett Nlgi 2 Lubrification automático para grasa Nlgi No 2 Centralsmörjning för universalfett Nlgi Nr 2 | 82553 | | Noise reduction, cab Isolation phonique, cabine Schallisolierung, Kabine Insonorización, cabina Ljudisolering, hytt |

| Equipment | Kit No | Description | Equipment | Kit No | Description |
|-----------|--------|--|-----------|--------------|--|
| 82562 | | Battery Bateria Batterie Batterie Batteri BRAZIL | 82892 | | Monteringsatts vridbart redskapsfäste |
| 82628 | | Mud guard front and rear Bavettes pare-boue AV et AR Spritzschutz vorne und hinten Parafangos delanteros y traseros Stänkskydd fram och bak | 83017 | VOE 11713825 | Engine block heater 120 V USA Chauffe-moteur 120 V, USA Motorwärmer 120 V, USA Calentador de motor 120 V, EE UU Motorvärmare 120 V, USA |
| 82772 | | Air conditioning Climatisation Klimatanlage Acondicionador de aire Luftkonditionering | 90007 | | Wheel nut wrench Kit clefs douille Schlüsselsatz Juego de llaves Hjulnyckelsats |
| 82790 | | Semi Open Rops Cabine ROPS semi-ouverte Halboffener ROPS ROPS semiabierta Semi Open Rops | 91472 | | Strainer, fuel fill Crépine (remplissage carburant) Sieb (kraftstoffbefüllung) Calador y combustible Sil för bränslepåfyllning |
| 82824 | | Front axle with differential lock Essieu Av avec blocage différentiel Vorderachse und ausgleichsperre Eje delantero con bloqueo diferencial Framaxel med differentialspärr | 91585 | VOE 11990393 | Protection guards for head lights front Grille de protection, AV éclairage Schutzgitter, vorwärts Beleuchtung Rejilla de protección, delantero alumbrado Skyddsgaller för främre standard färdelysning |
| 82875 | | Work lights Phare travail Arbeitsscheinwerfer Farol de trabajo Arbetsbelysning, | 93786 | VOE 11104593 | Sliding window, tinted glass Vitre coulissa, vitre teint`e Schibefenster, getönte schiebe Ventana despla, cristal tintado Skjutfönster, bronsfärgat glas |

| | | | |
|--|---|--------------------------------|-------------------|
| PRODUCT AND EQUIPMENT VARIANTS | VARIANTES DE PRODUCTOS Y EQUIPAMIENTOS | Catalogue id 20007 | Group 1 |
| VARIANTES DE PRODUITS ET D'EQUIPMENTS | PRODUKT- OCH UTRUSTNINGSVARIANTER | Issue VOE 63D9920007 | Page 33 |
| PRODUKT- UND AUSRÜSTUNGSVARIANTEN | | | |

VOLVO

L90E

| | | | |
|--|---|--------------------------------|-------------------|
| PRODUCT AND EQUIPMENT VARIANTS | VARIANTES DE PRODUCTOS Y EQUIPAMIENTOS | Catalogue id 20007 | Group 1 |
| VARIANTES DE PRODUITS ET D'EQUIPMENTS | PRODUKT- OCH UTRUSTNINGSVARIANTER | Issue VOE 63D9920007 | Page 34 |
| PRODUKT- UND AUSRÜSTUNGSVARIANTEN | | | |

| Equipment | Kit No | Description | Equipment | Kit No | Description |
|-----------|--------------|--|-----------|--------------|---|
| 93787 | VOE 11104594 | Sliding window, door, tinted glass Vitre coulissa, porte, vitre teintée Scheibefenster, tür, getönte Scheibe Ventana desliza, puerta, cristal tintado Ventilationsruta, dörr, bronsfärgat glas | 94916 | | Arm rest Accoudoir Armlehne Reposabrazos Armstöd <i>LH, ISRI</i> |
| 93799 | VOE 11705492 | Rotating beacon with col-lapsible mounting Avertisseur lumineux a' feu tournant Drehfeuerleuchte Farol de señal con luz revoladora Roterande varningsljus med fällbart fäste | 94925 | VOE 11104125 | Seat Belt Retractable Ceinture abdominate Hüftgurt Cinturon cadera Höftbälte <i>3 in</i> |
| 93988 | VOE 11704511 | Refill pump for grease for automatic lube system Pompe de remplissage, système de graissage centrali Nachfüllpumpe für Fett im Zentralschmiersystem Llenado de bomba con grasa para el sistema de lubric Påfylln.pump för fett till centralsmörjsystem | 99183 | | Tool kit Outillage Werkzeugsatz Juego de herramientas Verktygssats |
| 94638 | | One Combination lock kit only for Kit serrure Schlossteilsatz Juego seguridad Enkombinationslås <i>USA</i> | | | |
| 94909 | VOE 11104015 | Operator seat, heated Siege conducteur, chauffe Fahrsitzbeheizung Asiento conductor, termico Förarstol, eluppvärmd <i>BEGE</i> | | | |

| GROUP | Section | Page | GROUP | Section | Page | | |
|-------|---|------|-------|---------|--|-----|-----|
| 210 | Repair kits for engine | 50 | 41 | 261 | Coolant drainage STD, OPEN ROPS | 250 | 117 |
| 210 | Engine | 100 | 47 | 262 | Water pump and thermostat housing | 100 | 119 |
| 211 | Cylinder head | 100 | 49 | 263 | Fan and fan shroud STD, OPEN ROPS | 100 | 121 |
| 212 | Cylinder block | 100 | 51 | 263 | Hoses to fan drive STD, OPEN ROPS | 125 | 123 |
| 212 | Crankcase ventilation | 150 | 53 | 263 | Fan and fan housing STD, OPEN ROPS | 150 | 127 |
| 213 | Cylinder liner and piston | 100 | 55 | 263 | Hydraulic motor STD, OPEN ROPS | 200 | 131 |
| 214 | Valve mechanism | 100 | 57 | 263 | Pump drive power take-off | 250 | 133 |
| 215 | Timing gear casing and gears | 100 | 59 | 263 | Fan shroud STD, OPEN ROPS | 300 | 135 |
| 216 | Crankshaft and related parts | 100 | 61 | 269 | Engine heater. 82394 | 150 | 137 |
| 216 | Flywheel housing | 150 | 63 | 269 | Engine heater | 250 | 139 |
| 217 | Oil sump | 100 | 65 | 271 | Accelerator pedal | 100 | 141 |
| 217 | Drain line, oil sump STD, OPEN ROPS | 150 | 67 | 272 | Hand throttle control. 80520 | 100 | 143 |
| 218 | Engine mounting STD, OPEN ROPS | 100 | 69 | | | | |
| 221 | Lubricating oil system | 100 | 71 | | | | |
| 223 | Oil cooler | 100 | 73 | | | | |
| 223 | Oil cooler with hoses STD, OPEN ROPS | 150 | 77 | | | | |
| 233 | Fuel pump | 100 | 81 | | | | |
| 234 | Fuel tank with fitting parts | 100 | 83 | | | | |
| 235 | Fuel pipes, fuel tank - injection pump SER NO - 20004 | 100 | 87 | | | | |
| 235 | Fuel pipes, fuel tank - injection pump S/N 20005 -, S/N 70801 - BRAZIL, OPEN ROPS | 110 | 91 | | | | |
| 237 | Fuel lines and injectors | 100 | 95 | | | | |
| 251 | Inlet manifold and exhaust manifold | 100 | 97 | | | | |
| 252 | Exhaust system, silencer STD, OPEN ROPS | 100 | 99 | | | | |
| 255 | Turbocharger with fitting parts | 100 | 101 | | | | |
| 256 | Air filter with fitting parts STD, OPEN ROPS | 100 | 103 | | | | |
| 256 | Air filter STD, OPEN ROPS | 150 | 105 | | | | |
| 258 | Intercooler STD, OPEN ROPS | 100 | 107 | | | | |
| 261 | Radiator with fitting parts | 100 | 109 | | | | |
| 261 | Expansion tank with fitting parts STD, OPEN ROPS | 150 | 111 | | | | |
| 261 | Cooling system STD, OPEN ROPS | 200 | 113 | | | | |

INDEX OF CONTENTS

| | |
|------------------------------|---------------------|
| Catalogue id 20007 | Group 200 |
| Issue VOE 63D9920007 | Page 35 |

VOLVO

L90E

| TABLE DES MATIÈRES | | | | Catalogue id 20007 | | Group 200 | |
|---------------------------|--|---------|------|--------------------------------|--|---------------------|------|
| | | | | Issue VOE 63D9920007 | | Page 36 | |
| GROUPE | | Section | Page | GROUPE | | Section | Page |

| | | | | | | | |
|-----|--|-----|-----|-----|--|-----|-----|
| 210 | Jeu pour moteur..... | 50 | 41 | 261 | Système de refroidissement STD, OPEN ROPS | 200 | 113 |
| 210 | Moteur..... | 100 | 47 | 261 | Vidange du liquide de refroidissement STD, OPEN ROPS | 250 | 117 |
| 211 | Culasse..... | 100 | 49 | 262 | Pompe à eau et boîtier thermostat..... | 100 | 119 |
| 212 | Bloc-cylindres..... | 100 | 51 | 263 | Ventilateur avec carter ventilateur STD, OPEN ROPS | 100 | 121 |
| 212 | Ventilation de carter | 150 | 53 | 263 | Commande ventilateur STD, OPEN ROPS | 125 | 123 |
| 213 | Chemise cylindre et piston..... | 100 | 55 | 263 | Ventilateur et carter ventilateur STD, OPEN ROPS..... | 150 | 127 |
| 214 | Commande des soupapes | 100 | 57 | 263 | Moteur hydraulique STD, OPEN ROPS..... | 200 | 131 |
| 215 | Carter de distribution et engrenage | 100 | 59 | 263 | Prise de force pour l'entraînement de la pompe | 250 | 133 |
| 216 | Axe à vilebrequins..... | 100 | 61 | 263 | Protege ventilateur STD, OPEN ROPS | 300 | 135 |
| 216 | Carter de volant | 150 | 63 | 269 | Chaufferette de moteur. 82394 | 150 | 137 |
| 217 | Carter d'huile..... | 100 | 65 | 269 | Chauffe-moteur | 250 | 139 |
| 217 | Conduit de drainage, carter d'huile STD, OPEN ROPS..... | 150 | 67 | 271 | Pedale accélérateur | 100 | 141 |
| 218 | Suspension du moteur STD, OPEN ROPS | 100 | 69 | 272 | Accélérateur à main. 80520 | 100 | 143 |
| 221 | Système de graissage | 100 | 71 | | | | |
| 223 | Radiateur d'huile | 100 | 73 | | | | |
| 223 | Radiateur avec flexible STD, OPEN ROPS..... | 150 | 77 | | | | |
| 233 | Pompe carburant | 100 | 81 | | | | |
| 234 | Réservoir de carburant avec pièces de montage | 100 | 83 | | | | |
| 235 | Conduits de carburant, réservoir - pompe d'injection SER NO - 20004 | 100 | 87 | | | | |
| 235 | Conduits de carburant, réservoir - pompe d'injection S/N 20005 -, S/N 70801 - BRAZIL, OPEN ROPS..... | 110 | 91 | | | | |
| 237 | Canalisation à combustible, injecteur | 100 | 95 | | | | |
| 251 | Tubulure admission et tubulure échappement..... | 100 | 97 | | | | |
| 252 | Système d'aspiration, silencieux STD, OPEN ROPS | 100 | 99 | | | | |
| 255 | Turbocompresseur avec pièces de montage..... | 100 | 101 | | | | |
| 256 | Filtre à air avec pièces de montage STD, OPEN ROPS | 100 | 103 | | | | |
| 256 | Purificateur d'air STD, OPEN ROPS..... | 150 | 105 | | | | |
| 258 | Refroidisseur intermédiaire STD, OPEN ROPS | 100 | 107 | | | | |
| 261 | Radiateur avec pièces de montage | 100 | 109 | | | | |
| 261 | Recipient d'expansion avec pièces de montage STD, OPEN ROPS | 150 | 111 | | | | |

| GRUPPE | Abschnitt | Seite | GRUPPE | Abschnitt | Seite | | |
|--------|---|-------|--------|-----------|---|-----|-----|
| 210 | Motorsätze | 50 | 41 | 261 | Ablassen von Kühlmittel STD, OPEN ROPS | 250 | 117 |
| 210 | Motor | 100 | 47 | 262 | Wasserpumpe und Thermostatgehäuse | 100 | 119 |
| 211 | Zylinderkopf | 100 | 49 | 263 | Gebläse und Lüfterhaube STD, OPEN ROPS | 100 | 121 |
| 212 | Zylinderblock | 100 | 51 | 263 | Schlauch, Lüfterantrieb STD, OPEN ROPS | 125 | 123 |
| 212 | Kurbelgehäusebelüftung | 150 | 53 | 263 | Gebläse und Gebläseschacht STD, OPEN ROPS | 150 | 127 |
| 213 | Zylinderlaufbuchse und Kolben | 100 | 55 | 263 | Hydraulischer Motor STD, OPEN ROPS | 200 | 131 |
| 214 | Ventilmechanismus | 100 | 57 | 263 | Pumpennebenantrieb | 250 | 133 |
| 215 | Stirnradgehäuse und Nabenvorgelege | 100 | 59 | 263 | Lüfterverkleidung STD, OPEN ROPS | 300 | 135 |
| 216 | Kurbelbewegung | 100 | 61 | 269 | Motorwärmer. 82394 | 150 | 137 |
| 216 | Schwungradgehäuse | 150 | 63 | 269 | Motorwärmer | 250 | 139 |
| 217 | Ölwanne | 100 | 65 | 271 | Gaspedal | 100 | 141 |
| 217 | Dränageleitung, Ölwanne STD, OPEN ROPS | 150 | 67 | 272 | Handgasregler. 80520 | 100 | 143 |
| 218 | Motorbefestigung STD, OPEN ROPS | 100 | 69 | | | | |
| 221 | Schmierölsystem | 100 | 71 | | | | |
| 223 | Ölkühler | 100 | 73 | | | | |
| 223 | Ölkühler mit Schlauch STD, OPEN ROPS | 150 | 77 | | | | |
| 233 | Kraftstoffpumpe | 100 | 81 | | | | |
| 234 | Kraftstofftank mit Anbauteilen | 100 | 83 | | | | |
| 235 | Kraftstoffleitungen, Kraftstofftank - Einspritzpumpe SER NO - 20004 | 100 | 87 | | | | |
| 235 | Kraftstoffleitungen, Kraftstofftank - Einspritzpumpe S/N 20005 -, S/N 70801 - BRAZIL, OPEN ROPS | 110 | 91 | | | | |
| 237 | Brennstoffrohre | 100 | 95 | | | | |
| 251 | Ansaugrohr und Auspuffkrümmer | 100 | 97 | | | | |
| 252 | Auspuffsystem, Schalldämpfer STD, OPEN ROPS | 100 | 99 | | | | |
| 255 | Torbolader mit Anbauteilen | 100 | 101 | | | | |
| 256 | Luftfilter mit Anbauteilen STD, OPEN ROPS | 100 | 103 | | | | |
| 256 | Luftfilter STD, OPEN ROPS | 150 | 105 | | | | |
| 258 | Intercooler STD, OPEN ROPS | 100 | 107 | | | | |
| 261 | Kühler mit Anbauteilen | 100 | 109 | | | | |
| 261 | Ausgleichbehälter mit Anbauteilen STD, OPEN ROPS | 150 | 111 | | | | |
| 261 | Kühlanlage STD, OPEN ROPS | 200 | 113 | | | | |

INHALTSVERZEICHNIS

| | |
|--------------------------------|---------------------|
| Catalogue id 20007 | Group 200 |
| Issue VOE 63D9920007 | Page 37 |

VOLVO

L90E

| | | | |
|---------------|----------------|--------------------------------|---------------------|
| INDICE | | Catalogue id 20007 | Group 200 |
| | | Issue VOE 63D9920007 | Page 38 |
| GRUPO | Sección | Página | GRUPO |
| | | | Sección |
| | | | Página |

| | |
|---|--|
| <p>210 Juegos para el motor 50 41</p> <p>210 Motor 100 47</p> <p>211 Culata..... 100 49</p> <p>212 Bloque de cilindros..... 100 51</p> <p>212 Ventilación del cárter 150 53</p> <p>213 Camisa y piston 100 55</p> <p>214 Mecanismo de válvulas 100 57</p> <p>215 Caja de distribución y engranajes..... 100 59</p> <p>216 Cigüeñal..... 100 61</p> <p>216 Carcasa del volante 150 63</p> <p>217 Cárter 100 65</p> <p>217 Tubo de drenaje, cárter de aceite STD, OPEN ROPS 150 67</p> <p>218 Suspensión del motor STD, OPEN ROPS..... 100 69</p> <p>221 Sistema de lubricación 100 71</p> <p>223 Enfriador de aceite..... 100 73</p> <p>223 Enfriador de aceite con mangueras STD, OPEN ROPS 150 77</p> <p>233 Bomba de combustible 100 81</p> <p>234 Depósito de combustible con accesorios de montaje..... 100 83</p> <p>235 Tubos de combustible, depósito - bombe de inyección SER NO - 20004 100 87</p> <p>235 Tubos de combustible, depósito - bombe de inyección S/N 20005 -, S/N 70801 - BRAZIL, OPEN ROPS 110 91</p> <p>237 Tuberías de combustible, inyector 100 95</p> <p>251 Tubo admisión y múltiple escape..... 100 97</p> <p>252 Sistema de escape, silenciador STD, OPEN ROPS..... 100 99</p> <p>255 Turboalimentador con accesorios de montaje 100 101</p> <p>256 Filtro de aire con accesoris de montaje STD, OPEN ROPS..... 100 103</p> <p>256 Filtro de aire STD, OPEN ROPS 150 105</p> <p>258 Intercooler STD, OPEN ROPS 100 107</p> <p>261 Radiador con accesorios de montaje..... 100 109</p> | <p>261 Depósito de expansion con accesorios de montaje STD, OPEN ROPS 150 111</p> <p>261 Sistema de refrigeración STD, OPEN ROPS..... 200 113</p> <p>261 Vaciado de refrigerante STD, OPEN ROPS 250 117</p> <p>262 Bomba de agua y caja de termostato 100 119</p> <p>263 Ventilador con cubierta ventiladora STD, OPEN ROPS 100 121</p> <p>263 Manguera, accionamiento del ventilador STD, OPEN ROPS 125 123</p> <p>263 Ventilador y caja STD, OPEN ROPS 150 127</p> <p>263 Motor hidráulico STD, OPEN ROPS 200 131</p> <p>263 Toma de fuerza para accionamiento de bomba..... 250 133</p> <p>263 Protección ventilador STD, OPEN ROPS 300 135</p> <p>269 Calentador del motor. 82394..... 150 137</p> <p>269 Calefactor, motor..... 250 139</p> <p>271 Pedal acelerador 100 141</p> <p>272 Mando manual acelerador. 80520 100 143</p> |
|---|--|



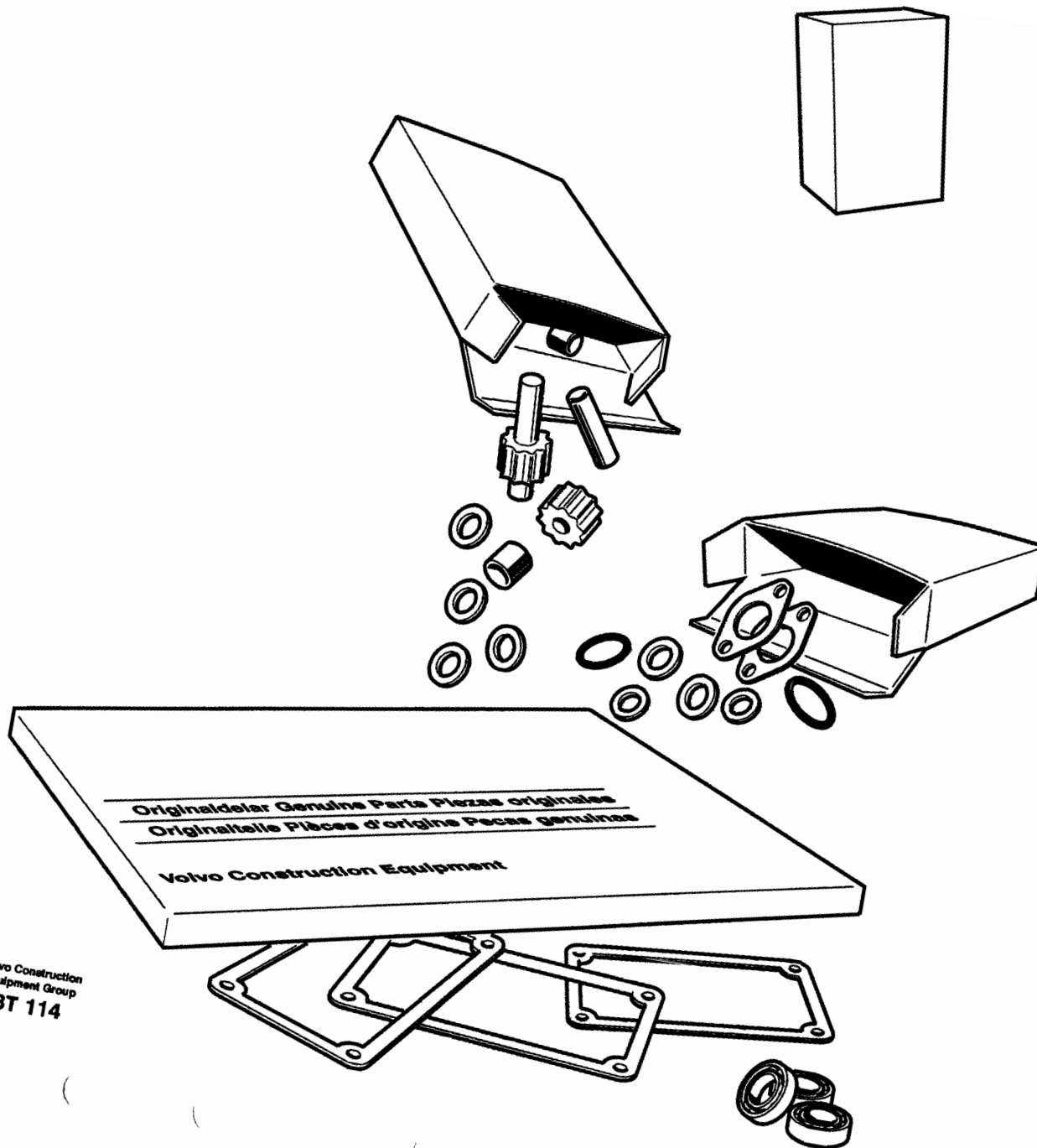
| GRUPP | Avsnitt | Sida | GRUPP | Avsnitt | Sida | | |
|-------|---|------|-------|---------|--|-----|-----|
| 210 | Satser för motor | 50 | 41 | 261 | Kylvätskeavtappning STD, OPEN ROPS..... | 250 | 117 |
| 210 | Motor..... | 100 | 47 | 262 | Vattenpump och termostathus | 100 | 119 |
| 211 | Cylinderhuvud..... | 100 | 49 | 263 | Fläkt och flätkåpa STD, OPEN ROPS..... | 100 | 121 |
| 212 | Cylinderblock | 100 | 51 | 263 | Slangar till fläktdrivning STD, OPEN ROPS..... | 125 | 123 |
| 212 | Vevhusventilation..... | 150 | 53 | 263 | Fläkt och fläkthus STD, OPEN ROPS..... | 150 | 127 |
| 213 | Cylinderfoder och kolv | 100 | 55 | 263 | Hydraulmotor STD, OPEN ROPS | 200 | 131 |
| 214 | Ventilmekanism..... | 100 | 57 | 263 | Pumpdrivning, kraftuttag | 250 | 133 |
| 215 | Transmissionskåpa och drev | 100 | 59 | 263 | Fläktskydd STD, OPEN ROPS | 300 | 135 |
| 216 | Vevrörelse..... | 100 | 61 | 269 | Motorvärmare. 82394..... | 150 | 137 |
| 216 | Svänghjulskåpa..... | 150 | 63 | 269 | Motorvärmare..... | 250 | 139 |
| 217 | Oljesump..... | 100 | 65 | 271 | Gaspedal..... | 100 | 141 |
| 217 | Dräneringsledning, oljesump STD, OPEN ROPS | 150 | 67 | 272 | Handgasreglage. 80520..... | 100 | 143 |
| 218 | Motorupphängning STD, OPEN ROPS | 100 | 69 | | | | |
| 221 | Smörjsystem | 100 | 71 | | | | |
| 223 | Oljekylare | 100 | 73 | | | | |
| 223 | Oljekylare med slangar STD, OPEN ROPS..... | 150 | 77 | | | | |
| 233 | Bränslepump..... | 100 | 81 | | | | |
| 234 | Bränsletank med monteringsdetaljer | 100 | 83 | | | | |
| 235 | Bränsleledningar, bränsletank - insprutningspump SER NO - 20004 | 100 | 87 | | | | |
| 235 | Bränsleledningar, bränsletank - insprutningspump S/N 20005 -, S/N 70801 - BRAZIL, OPEN ROPS..... | 110 | 91 | | | | |
| 237 | Bränslerör och insprutare..... | 100 | 95 | | | | |
| 251 | Insugningsrör och avgasgrenrör | 100 | 97 | | | | |
| 252 | Avgassystem, ljuddämpare STD, OPEN ROPS | 100 | 99 | | | | |
| 255 | Turbokompressor med monteringsdetaljer | 100 | 101 | | | | |
| 256 | Luftrenare med monteringsdetaljer STD, OPEN ROPS | 100 | 103 | | | | |
| 256 | Luftrenare STD, OPEN ROPS | 150 | 105 | | | | |
| 258 | Laddluftkylare STD, OPEN ROPS | 100 | 107 | | | | |
| 261 | Kylare med monteringsdetaljer | 100 | 109 | | | | |
| 261 | Expansionstank med monteringsdetaljer STD, OPEN ROPS | 150 | 111 | | | | |
| 261 | Kylsystem STD, OPEN ROPS | 200 | 113 | | | | |

INNEHÅLLSFÖRTECKNING

| | |
|------------------------------|---------------------|
| Catalogue id 20007 | Group 200 |
| Issue VOE 63D9920007 | Page 39 |

VOLVO

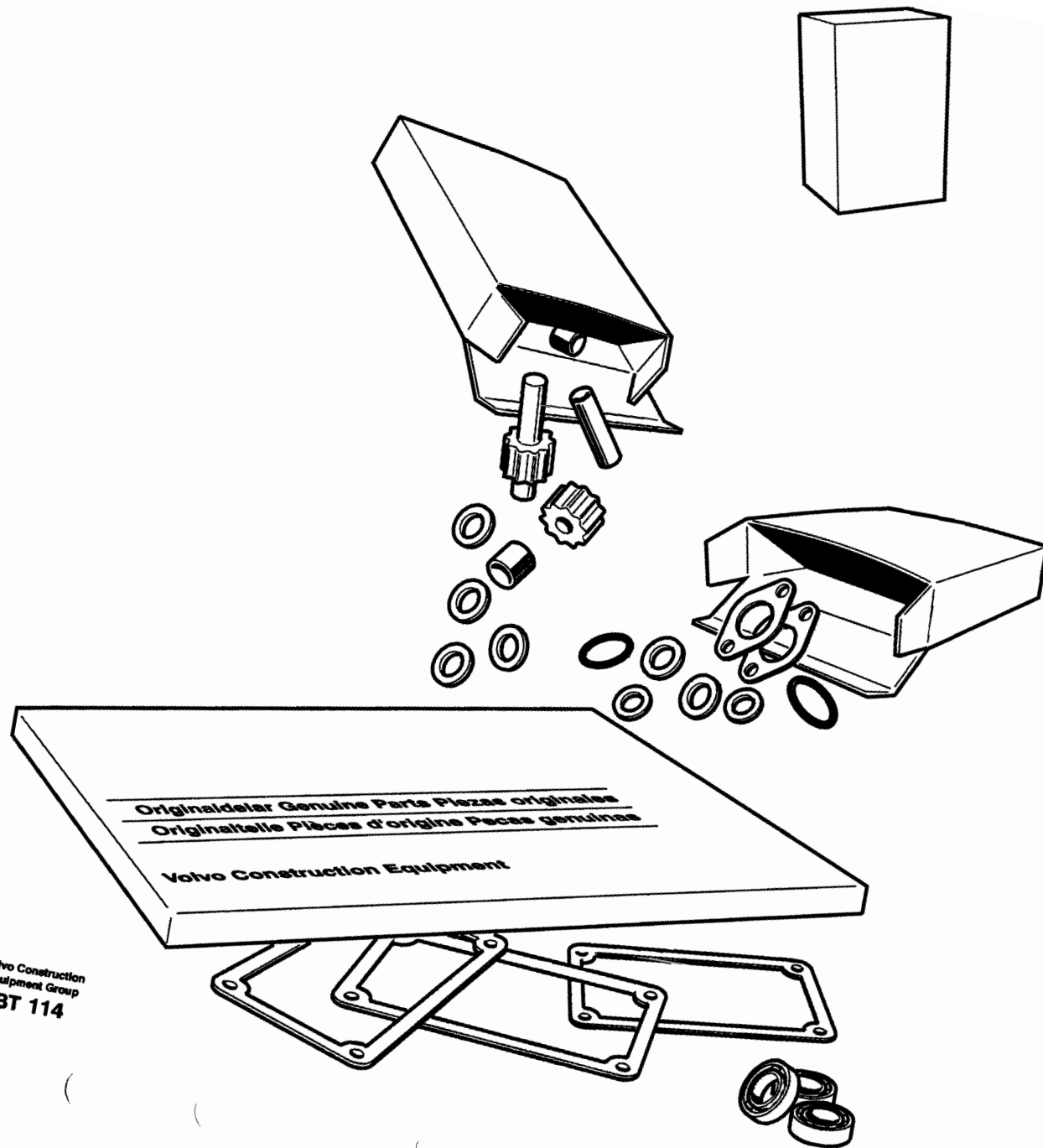
L90E



Volvo Construction
Equipment Group
BT 114

| Fig. | Part No. | Quantity | | | P S | K I T | Description | Dénomination | Bezeichnung | Denominación | Benämning | Notes |
|------|--------------|----------|---|---|--------|------------------------|-------------------------|-----------------------|------------------------|-----------------------|-------------------------|-------|
| | | 1 | 2 | 3 | | | | | | | | |
| 1 | VOE 11712380 | 1 | | | | Overhaul Kit | Kit Renovation..... | Überholungssatz | Juego Reacondic | Renoveringsatts..... | | |
| | VOE 11712379 | 1 | | | | •Cyl Head Kit..... | •Jeu De Culasse | •Zyl.kopfsats..... | •Juego De Culata | •Cyl.huvudsats..... | | |
| | VOE 976929 | 7 | | | | •Gasket | •Joint | •Dichtung..... | •Junta | •Packning..... | | |
| | VOE 20459999 | 6 | | | | •Cmshft Bushing | •Bag.arbre Cames..... | •Nockenw Buchse | •Casqiu Arb Lev | •Kamaxelbussning..... | | |
| | VOE 20459998 | 1 | | | | •Cmshft Bushing | •Bag.arbre Cames..... | •Nockenw Buchse | •Casqiu Arb Lev | •Kamaxelbussning..... | | |
| | VOE 20412359 | 1 | | | | •Sealing ring..... | •Bague d'étanchéité ... | •Runddichtring..... | •Anillo reten | •Tättningsring..... | | |
| | VOE 13947281 | 1 | | | | •Gasket | •Joint | •Dichtung..... | •Junta | •Packning..... | | |
| | VOE 20460025 | 6 | | | | •Piston..... | •Piston..... | •Kolben..... | •Piston | •Kolv..... | | |
| | VOE 20460009 | 6 | | | | •Piston Pin | •Axe Piston..... | •Kolbenbolzen | •Bulon..... | •Kolvtapp..... | | |
| | VOE 20460010 | 12 | | | | •Clip | •Clip..... | •Klemme..... | •Clip..... | •Clips..... | | |
| | VOE 20460011 | 6 | | | | •Piston Ring Kit..... | •Jeu Segm.piston..... | •Kolbenringsatz | •Jg Segm Piston..... | •Kolvringsats..... | | |
| | VOE 20459997 | 6 | | | | •Cylinder Liner | •Chemise Cylind..... | •Zyl Buchse | •Camisa..... | •Cylinderfoder..... | | |
| | VOE 13947621 | 2 | | | | •Plane Gasket..... | •Joint Plan | •Flachdichtung..... | •Junta Plana | •Planpackning..... | | |
| | VOE 11700625 | 1 | | | | •O-ring..... | •Joint Torique | •O-Ring..... | •Junta torica | •O-ring..... | | |
| | VOE 20459140 | 7 | | | | •Main Bearing | •Pal.vilebrequin | •Hauptlager | •Cojin Bancada..... | •Ramlager..... | | |
| | VOE 20555403 | 4 | | | | •Bearing | •Palier..... | •Lager..... | •Cojinete..... | •Lager..... | SER NO - 699198 | |
| | VOE 20480536 | 4 | | | | •Bearing | •Palier..... | •Lager..... | •Cojinete..... | •Lager..... | SER NO 699199 - 1047119 | |
| | VOE 20459149 | 2 | | | | •Thrust Washer | •Rondelle Butee | •Druckscheibe | •Arandela Presio | •Tryckbricka..... | | |
| | VOE 20459115 | 1 | | | | •Crankshaft Seal | •Joint Vilebreq..... | •Kurbelw Dichtg..... | •Reten Ciguenal | •Vevaxeltätning..... | | |
| | VOE 7011998 | 1 | | | | •Gasket | •Joint | •Dichtung..... | •Junta | •Packning..... | | |
| | VOE 20412343 | 2 | | | | •Sealing ring..... | •Bague d'étanchéité ... | •Runddichtring..... | •Anillo reten | •Tättningsring..... | | |
| | VOE 20405825 | 1 | | | | •Gasket | •Joint | •Dichtung..... | •Junta | •Packning..... | | |
| | VOE 20459168 | 1 | | | | •Crankshaft Seal | •Joint Vilebreq..... | •Kurbelw Dichtg..... | •Reten Ciguenal | •Vevaxeltätning..... | | |
| | VOE 20537029 | 1 | | | | •Gasket | •Joint | •Dichtung..... | •Junta | •Packning..... | | |
| | VOE 11700391 | 1 | | | | •Gasket | •Joint | •Dichtung..... | •Junta | •Packning..... | | |
| | VOE 20459215 | 4 | | | | •Washer | •Rondelle..... | •Scheibe | •Arandela..... | •Bricka..... | | |
| | VOE 20459212 | 1 | | | | •Gasket | •Joint | •Dichtung..... | •Junta | •Packning..... | | |
| | VOE 13947628 | 1 | | | | •Plane Gasket..... | •Joint Plan | •Flachdichtung..... | •Junta Plana | •Planpackning..... | | |
| | VOE 20459192 | 1 | | | | •Gasket | •Joint | •Dichtung..... | •Junta | •Packning..... | | |
| | VOE 20459193 | 2 | | | | •Sealing ring..... | •Bague d'étanchéité ... | •Runddichtring..... | •Anillo reten | •Tättningsring..... | | |

| | | | | |
|---|--|--|-----------------------|------------|
| 1 | | Satser för motor Juegos para el motor Motorsätze Jeu pour moteur Repair kits for engine | Catalogue id | Group |
| 2 | | | 20007 | 210 |
| 3 | | | Illustr. No | Section |
| 4 | | | BT114 | 50 |
| 5 | | | Issue | Page |
| | | | VOE 63D9920007 | 41 |



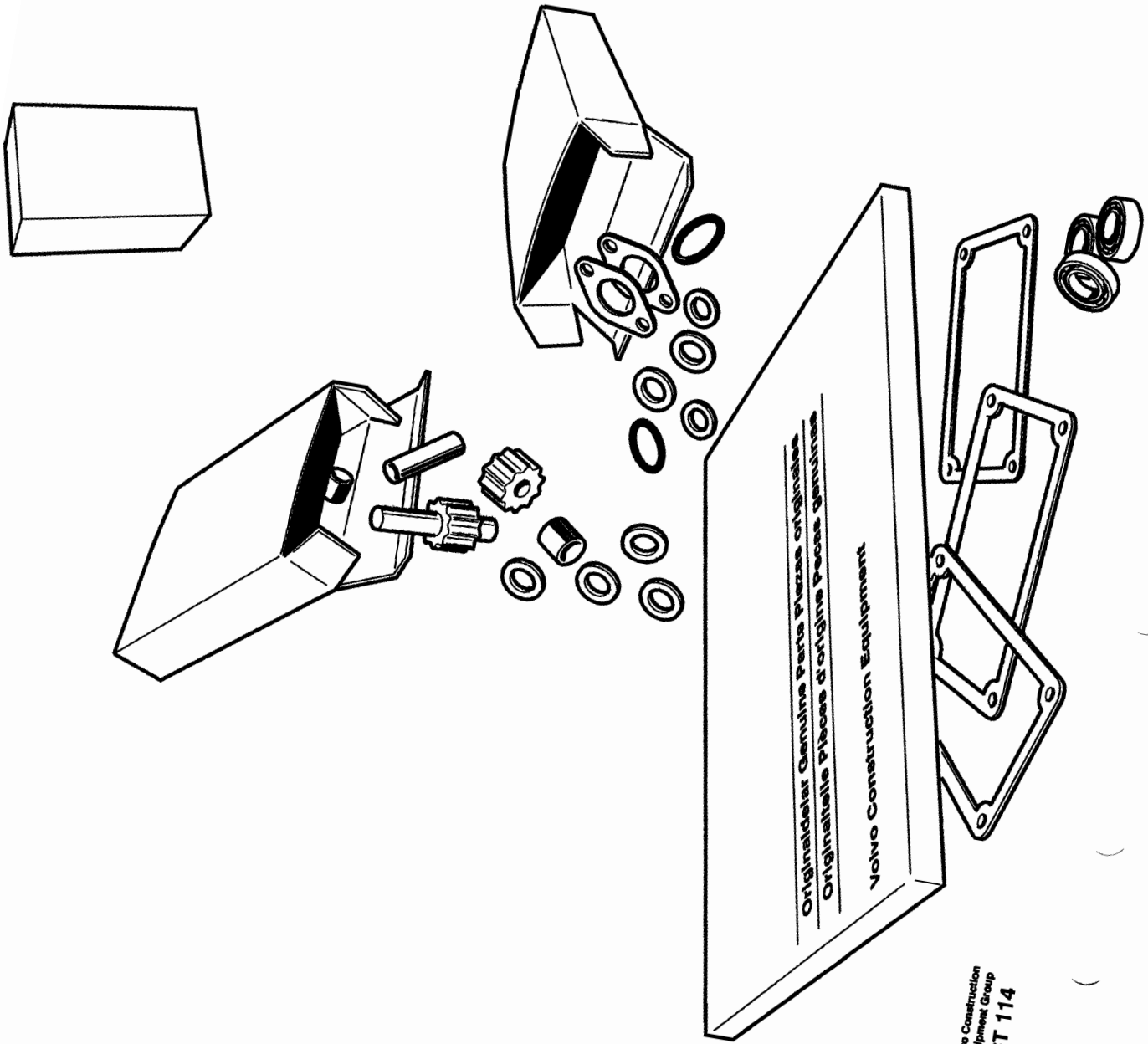
Volvo Construction
Equipment Group
BT 114

| Fig. | Part No. | Quantity | | | P S | K I T | Description | Dénomination | Bezeichnung | Denominación | Benämning | Notes |
|--------------|----------|----------|---|---|--------|------------------------|---------------------------|------------------------|-----------------------|-----------------------|-----------|-------|
| | | 1 | 2 | 3 | | | | | | | | |
| VOE 13947625 | 2 | | | | | •Plane Gasket | •Joint Plan | •Flachdichtung..... | •Junta Plana | •Planpackning..... | | |
| VOE 13947622 | 1 | | | | | •Plane Gasket | •Joint Plan | •Flachdichtung..... | •Junta Plana | •Planpackning..... | | |
| VOE 20460244 | 1 | | | | | •Gasket Kit | •Kit Joints | •Dichtungssatz | •Juego Juntas..... | •Packningsats..... | | |
| VOE 20460248 | 2 | | | | | •O-ring..... | •Joint Torique | •O-Ring..... | •Junta torica | •O-ring..... | | |
| VOE 20460073 | 12 | | | | | •O-ring..... | •Joint Torique | •O-Ring..... | •Junta torica | •O-ring..... | | |
| VOE 11700409 | 6 | | | | | •Shim | •Cale Reglage | •Nachstellblech..... | •Cuna de calzar | •Justerbleck..... | | |
| VOE 11700426 | 6 | | | | | •Seal | •Joint | •Dichtring..... | •Junta | •Tätning..... | | |
| VOE 20460061 | 7 | | | | | •Seal | •Joint | •Dichtring..... | •Junta | •Tätning..... | | |
| VOE 976929 | 6 | | | | | •Gasket | •Joint | •Dichtung..... | •Junta | •Packning..... | | |
| VOE 20459226 | 2 | | | | | •Gasket | •Joint | •Dichtung..... | •Junta | •Packning..... | | |
| VOE 20405885 | 2 | | | | | •Screw..... | •Vis..... | •Schraube..... | •Tornillo | •Skruv..... | | |
| VOE 20405822 | 2 | | | | | •Sealing ring..... | •Bague d'étanchéité | •Runddichtring..... | •Anillo reten | •Tätningring..... | | |
| VOE 13947621 | 4 | | | | | •Plane Gasket | •Joint Plan | •Flachdichtung..... | •Junta Plana | •Planpackning..... | | |
| VOE 20405969 | 1 | | | | | •Gasket | •Joint | •Dichtung..... | •Junta | •Packning..... | | |
| VOE 20459005 | 1 | | | | | •Sealing ring..... | •Bague d'étanchéité | •Runddichtring..... | •Anillo reten | •Tätningring..... | | |
| VOE 13947281 | 1 | | | | | •Gasket | •Joint | •Dichtung..... | •Junta | •Packning..... | | |
| VOE 20450736 | 1 | | | | | •Thermostat | •Thermostat..... | •Thermostat..... | •Termostato..... | •Termostat..... | | |
| VOE 20459961 | 2 | | | | | •Sealing ring..... | •Bague d'étanchéité | •Runddichtring..... | •Anillo reten | •Tätningring..... | | |
| VOE 20459954 | 1 | | | | | •Sealing ring..... | •Bague d'étanchéité | •Runddichtring..... | •Anillo reten | •Tätningring..... | | |
| VOE 20459958 | 1 | | | | | •Gasket | •Joint | •Dichtung..... | •Junta | •Packning..... | | |
| VOE 20459948 | 1 | | | | | •Gasket | •Joint | •Dichtung..... | •Junta | •Packning..... | | |
| VOE 20459065 | 1 | | | | | •Sealing ring..... | •Bague d'étanchéité | •Runddichtring..... | •Anillo reten | •Tätningring..... | | |
| VOE 11712379 | 1 | | | | | Cyl Head Kit..... | Jeu De Culasse..... | Zyl.kopfsats | Juego De Culata | Cyl.huvudsats..... | | |
| VOE 20459855 | 12 | | | | | •Valve Seal | •Joint Soupape..... | •Ventildichtung | •Reten Valvula..... | •Ventiltätning..... | | |
| VOE 20459839 | 2 | | | | | •Bushing..... | •Bague | •Buchse | •Casquillo | •Bussning..... | | |
| VOE 20459843 | 1 | | | | SS | •Cyl Head Gasket | •Joint Culasse | •Zyl Kopfdichtfg | •Junta Culata..... | •Cyl.huvud Packn..... | | |
| VOE 20459844 | 1 | | | | SS | •Cyl Head Gasket | •Joint Culasse | •Zyl Kopfdichtfg | •Junta Culata..... | •Cyl.huvud Packn..... | | |
| VOE 20459845 | 1 | | | | | •Cyl Head Gasket | •Joint Culasse | •Zyl Kopfdichtfg | •Junta Culata..... | •Cyl.huvud Packn..... | | |
| VOE 20459828 | 1 | | | | | •Gasket | •Joint | •Dichtung..... | •Junta | •Packning..... | | |
| VOE 20405627 | 1 | | | | | •Gasket | •Joint | •Dichtung..... | •Junta | •Packning..... | | |

| | | | | |
|---|--|--|-----------------------|------------|
| 1 | | Satser för motor Juegos para el motor Motorsätze Jeu pour moteur Repair kits for engine | Catalogue id | Group |
| 2 | | | 20007 | 210 |
| 3 | | | Illustr. No | Section |
| 4 | | | BT114 | 50 |
| 5 | | | Issue | Page |
| | | | VOE 63D9920007 | 43 |

VOLVO

L90E



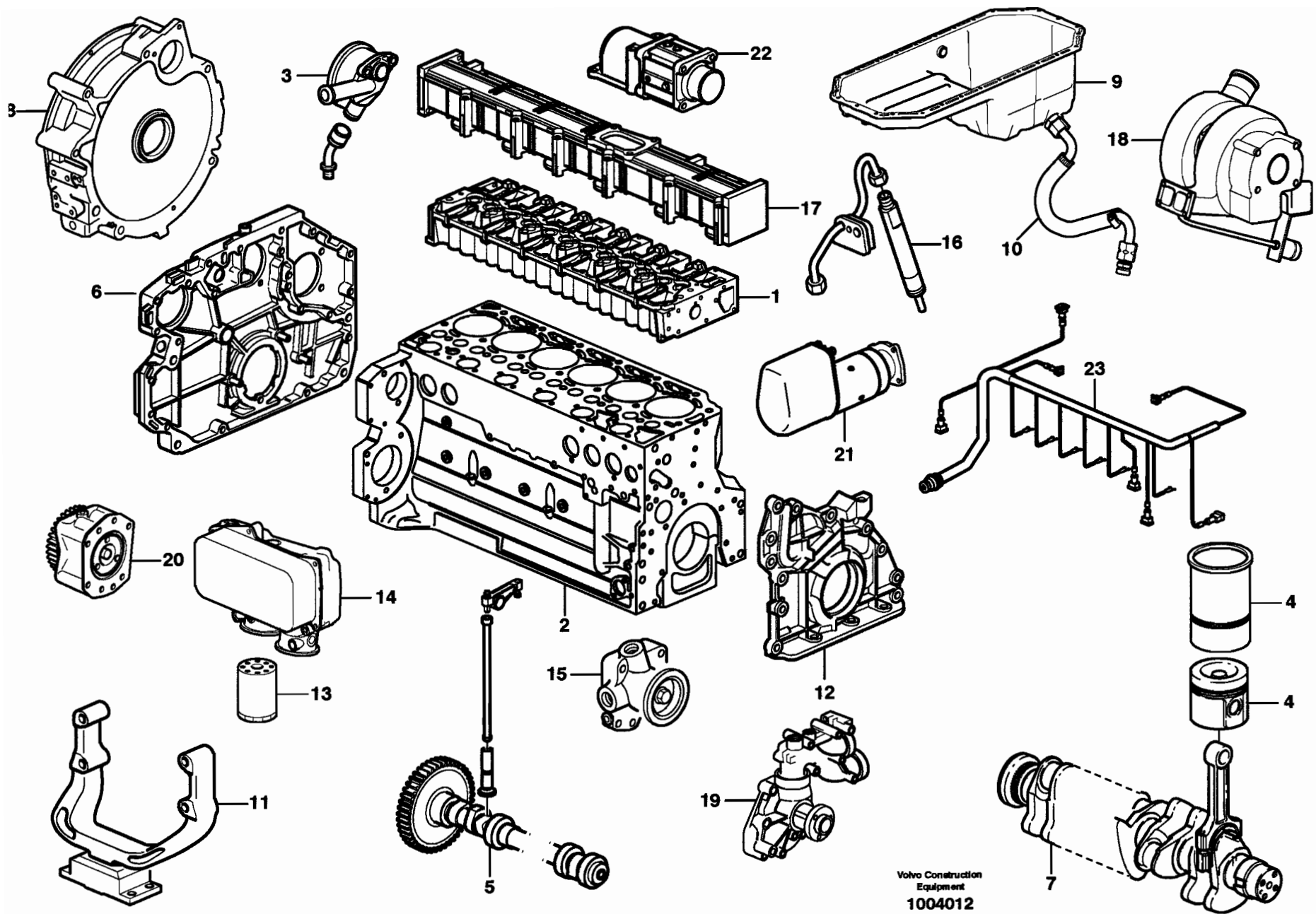
Volvo Construction
Equipment Group
BT 114

| Fig. | Part No. | Quantity | | | P S | K I T | Description | Dénomination | Bezeichnung | Denominación | Benämning | Notes |
|--------------|----------|----------|---|---|--------|--------------------|-------------------------|--------------------------|-----------------------|----------------------|-----------|-------|
| | | 1 | 2 | 3 | | | | | | | | |
| VOE 20405938 | 1 | | | | | •Connector | •Raccord | •Anschluss..... | •Union..... | •Anslutning..... | | |
| VOE 20460100 | 6 | | | | | •Fuel pipe | •Conduit carbura | •Kraftstoffleitung | •Tubo combustib | •Bränslerör..... | | |
| VOE 20557208 | 6 | | | | | •Gasket | •Joint | •Dichtung..... | •Junta | •Packning..... | | |
| VOE 20405587 | 12 | | | | | •Stud | •Goujon | •Stiftschraube | •Esparrago | •Pinnskruv..... | | |
| VOE 20405588 | 12 | | | | | •Washer | •Rondelle..... | •Scheibe..... | •Arandela..... | •Bricka..... | | |
| VOE 20505959 | 12 | | | | | •Hexagon Nut..... | •Ecrou Hexagonal | •Sechskantmutter | •Tuerca Hexagon | •Sexkantsmutter..... | | |
| VOE 20459222 | 6 | | | | | •Gasket | •Joint | •Dichtung..... | •Junta | •Packning..... | | |
| VOE 20531832 | 2 | | | | | •Gasket | •Joint | •Dichtung..... | •Junta | •Packning..... | | |
| VOE 20565204 | 1 | | | | | •Gasket | •Joint | •Dichtung..... | •Junta | •Packning..... | | |
| VOE 20405970 | 1 | | | | | •Gasket | •Joint | •Dichtung..... | •Junta | •Packning..... | | |
| VOE 20412308 | 4 | | | | | •Hexagon Nut..... | •Ecrou Hexagonal | •Sechskantmutter | •Tuerca Hexagon | •Sexkantsmutter..... | | |
| VOE 20405790 | 1 | | | | | •Gasket | •Joint | •Dichtung..... | •Junta | •Packning..... | | |
| VOE 13947281 | 2 | | | | | •Gasket | •Joint | •Dichtung..... | •Junta | •Packning..... | | |
| VOE 20459955 | 1 | | | | | •Sealing ring..... | •Bague d'étanchéité ... | •Runddichtring..... | •Anillo reten | •Tättningsring..... | | |
| VOE 20459953 | 1 | | | | | •Sealing ring..... | •Bague d'étanchéité ... | •Runddichtring..... | •Anillo reten | •Tättningsring..... | | |

| | | | |
|---|--|-----------------------|------------|
| 1 | Satser för motor Juegos para el motor Motorsätze Jeu pour moteur Repair kits for engine | Catalogue id | Group |
| 2 | | 20007 | 210 |
| 3 | | Illustr. No | Section |
| 4 | | BT114 | 50 |
| 5 | | Issue | Page |
| | | VOE 63D9920007 | 45 |

VOLVO

L90E



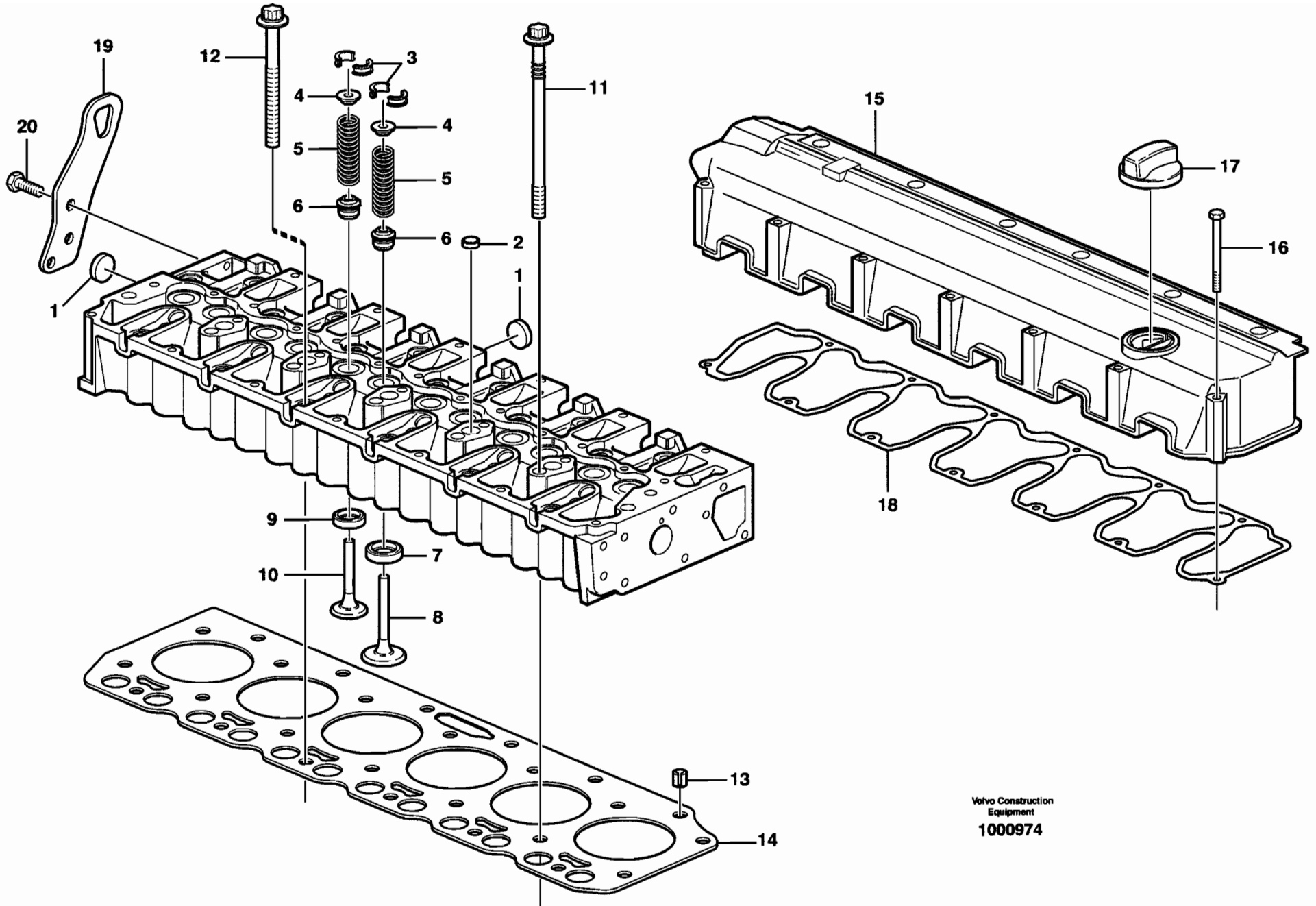
Volvo Construction
Equipment
1004012

| Fig. | Part No. | Quantity | | | P S | K I T | Description | Dénomination | Bezeichnung | Denominación | Benämning | Notes |
|------|---------------------|----------|---|---|--------|------------------------------|----------------------------|--|---------------------------|-------------------------|-------------------------|-------|
| | | 1 | 2 | 3 | | | | | | | | |
| | VOE 11172408 | 1 | | | | Engine..... | Moteur..... | Verbrenn Motor..... | Motor..... | Motor..... | D6DLAE2 | |
| 1 | | 1 | | | | •Cylinder head..... | •Culasse..... | •Zylinderkopf..... | •Culata..... | •Cylinderhuvud..... | See group 211, Page 49 | |
| 2 | | 1 | | | | •Cylinder block..... | •Bloc-cylindres..... | •Zylinderblock..... | •Bloque cilindro..... | •Cylinderblock..... | See group 212, Page 51 | |
| 3 | | 1 | | | | •Crankcase ventilatio..... | •Aération de carter..... | •Kurbelgehäuse,entlü..... | •Ventilación del ca..... | •Vevhusventilation..... | See group 212, Page 53 | |
| 4 | | 6 | | | | •Cylinder Liner And Pi..... | •Chemise de cylindre..... | •Zylinderlaufbuchse u..... | •Camisas de cilindro... | •Cylinderfoder och kol | See group 213, Page 55 | |
| 5 | | 1 | | | | •Valve mechanism..... | •Commande des sou..... | •Ventilmechanismus... | •Mecanismo de valvul..... | •Ventilmekanism..... | See group 214, Page 57 | |
| 6 | | 1 | | | | •Timing gear casing ... | •Carter distribution..... | •Steuergehäuse..... | •Cubierta distribucion .. | •Transmissionskåpa.. | See group 215, Page 59 | |
| 7 | | 1 | | | | •Crankshaft..... | •Vilebrequin..... | •Räderkasten Kubelw..... | •Cigüeñal..... | •Vevrörelse..... | See group 216, Page 61 | |
| 8 | | 1 | | | | •Flywheel housing..... | •Carter volant..... | •Schwungradgehäu..... | •Cubierta volante..... | •Svånghjulsåpa..... | See group 216, Page 63 | |
| 9 | | 1 | | | | •Oil sump..... | •Carter d'huile..... | •Ölsumpf..... | •Carter de aceite..... | •Oljesump..... | See group 217, Page 65 | |
| 10 | | 1 | | | | •Oil Draining..... | •Vidange Huile..... | •Ölablass..... | •Vaciado Aceite..... | •Oljeavtappning..... | See group 217, Page 67 | |
| 11 | | 1 | | | | •Engine suspension ... | •Suspension du mote..... | •Motorbefestigung..... | •Suspensión del mot .. | •Motorupphängning.... | See group 218, Page 69 | |
| 12 | | 1 | | | | •Lubricating system.... | •Syst.de graissage..... | •Schmierölsystem..... | •Sist.lubrificante..... | •Smörjssystem..... | See group 221, Page 71 | |
| 13 | | 1 | | | | •Oil filter..... | •Filtre huile..... | •Ölfilter..... | •Filtro aceite..... | •Oljefilter..... | See group 223, Page 73 | |
| 14 | | 1 | | | | •Oil cooler..... | •Radiateur huile..... | •Ölkühler..... | •Enfriador aceite..... | •Oljekylare..... | See group 223, Page 73 | |
| 15 | | 1 | | | | •Fuel pump..... | •Pompe à carburant ... | •Kraftstoffpumpe..... | •Bomba de combusti .. | •Bränslepump..... | See group 233, Page 81 | |
| 16 | | 1 | | | | •Fuel pipes..... | •Conduits de carbura .. | •Kraftstoffrohr..... | •Tubos de combusti... | •Bränslerör..... | See group 237, Page 95 | |
| 17 | | 1 | | | | •Inlet manifold..... | •Tubulure admission .. | •Einlassrohr..... | •Tubo admision..... | •Insugningsrör..... | See group 251, Page 97 | |
| 18 | | 1 | | | | •Turbocharger..... | •Turbocompresse..... | •Turbolader..... | •Turbocompresor..... | •Turbokompressor..... | See group 255, Page 101 | |
| 19 | | 1 | | | | •Coolant Pump..... | •Pompe a eau..... | •Kühlwasserpumpe..... | •Bomba Ag.refr..... | •Kylvätskepump..... | See group 262, Page 119 | |
| 20 | | 1 | | | | •Pump Drive Power T..... | •Prise De Force Pour..... | •Pumpennebenantrie.. | •Toma De Fuerza Par..... | •Pumpdrivning, Kraftu | See group 263, Page 121 | |
| 21 | | 1 | | | | •Starter motor..... | •Demarreur..... | •Anlasser..... | •Motor arranque..... | •Startmotor..... | See group 331, Page 165 | |
| 22 | | 1 | | | | •Pre-heater With Fittin..... | •Préchauffeur Avec Pi..... | •Vorwärmer Mit Anbaut..... | •Precalentador Con A..... | •Förvärmare Med Mon | See group 251, Page 97 | |
| 23 | | 1 | | | | •Cable Harness, Engi..... | •Faisceau De Câbles .. | •Kabelbündel, Motor... •Haz De Cables, Moto | •Ledningsmatta, Moto | See group 371, Page 203 | | |

| | | | | |
|---|--|---------------|-----------------------|------------|
| 1 | | Motor | Catalogue id | Group |
| 2 | | Motor | 20007 | 210 |
| 3 | | Motor | Illustr. No | Section |
| 4 | | Moteur | 1004012 | 100 |
| 5 | | Engine | Issue | Page |
| | | | VOE 63D9920007 | 47 |

VOLVO

L90E



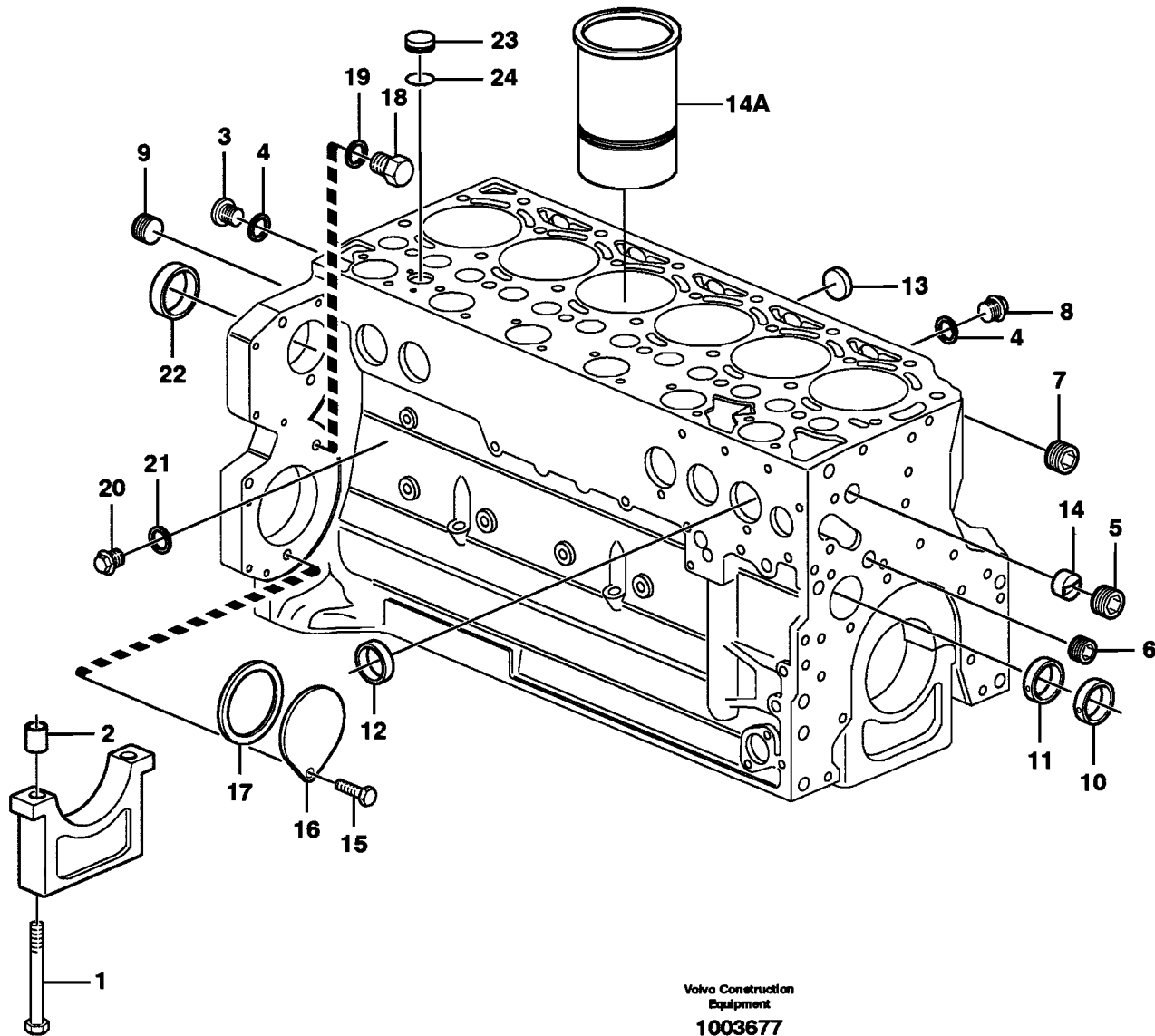
Volvo Construction
Equipment
1000974

| Fig. | Part No. | Quantity | | | P S | K I T | Description | Dénomination | Bezeichnung | Denominación | Benämning | Notes |
|------|--------------|----------|---|---|--------|-------------|----------------------|-------------------------|-----------------------|---------------------------|----------------------|---------|
| | | 1 | 2 | 3 | | | | | | | | |
| | VOE 20498711 | 1 | | | | | Cylinder head..... | Culasse | Zylinderkopf..... | Culata | Cylinderhuvud..... | |
| 1 | VOE 20412745 | 5 | | | | | •Core Plug..... | •Ronde.fermeture..... | •Fullscheibe..... | •Tapon..... | •Täppbricka..... | |
| 2 | VOE 20412733 | 5 | | | | | •Core Plug..... | •Ronde.fermeture..... | •Fullscheibe..... | •Tapon..... | •Täppbricka..... | |
| 3 | VOE 20459857 | 24 | | | | | •Valve Cone | •Taquet..... | •Ventilkegelst..... | •Valvula Cono..... | •Knaster..... | |
| 4 | VOE 20535037 | 12 | | | | | •Washer | •Rondelle..... | •Scheibe..... | •Arandela..... | •Bricka..... | |
| 5 | VOE 20459851 | 12 | | | | | •Valve Spring | •Ressort Soupape | •Ventilfeder..... | •Resorte Valvula..... | •Ventilfjäder..... | |
| 6 | VOE 20459855 | 12 | | | | | •Valve Seal | •Joint Soupape..... | •Ventildichtung | •Reten Valvula..... | •Ventiltätning..... | |
| 7 | VOE 20459852 | 6 | | | | | •Valve seat..... | •Siege de soupape..... | •Ventilsitz..... | •Asiento de valvula..... | •Ventilsäte..... | |
| 8 | VOE 20459862 | 6 | | | | | •Inlet valve | •Soupape d'entrée | •Einlassventil..... | •Valvula de entrada | •Inloppsventil..... | |
| 9 | VOE 20459861 | 6 | | | | | •Exhaust Valve..... | •Soupape Echappem | •Auslassventil..... | •Valvula Escape | •Avgasventil..... | |
| 10 | VOE 20459854 | 6 | | | | | •Valve seat..... | •Siege de soupape..... | •Ventilsitz..... | •Asiento de valvula..... | •Ventilsäte..... | |
| 11 | VOE 20459837 | 7 | | | | | Bolt..... | Boulon | Bolzen | Perno..... | Bult..... | |
| 12 | VOE 20459838 | 19 | | | | | Bolt..... | Boulon | Bolzen | Perno..... | Bult..... | |
| 13 | VOE 20459839 | 2 | | | | | Bushing..... | Bague..... | Buchse | Casquillo | Bussning..... | |
| 14 | VOE 20459843 | 1 | | | SS | | Cyl Head Gasket..... | Joint Culasse | Zyl Kopfdichtfg | Junta Culata | Cyl.huvud Packn..... | 1,25 MM |
| | VOE 20459844 | 1 | | | SS | | Cyl Head Gasket..... | Joint Culasse | Zyl Kopfdichtfg | Junta Culata | Cyl.huvud Packn..... | 1,41 MM |
| | VOE 20459845 | 1 | | | | | Cyl Head Gasket..... | Joint Culasse | Zyl Kopfdichtfg | Junta Culata | Cyl.huvud Packn..... | 1,52 MM |
| 15 | VOE 20459831 | 1 | | | | | Valve Cover | Cache-soupapes..... | Zylkopfhaube..... | Cubier Valvula | Ventilkåpa..... | |
| 16 | VOE 20459830 | 13 | | | | | Screw | Vis | Schraube..... | Tornillo | Skruv..... | |
| 17 | VOE 20412589 | 1 | | | | | Filler cap | Bouchon Remplissa | Tankverschluss | Tapa Llenado | Påfyllningslock..... | |
| 18 | VOE 20459828 | 1 | | | | | Gasket..... | Joint | Dichtung | Junta | Packning..... | |
| 19 | | 1 | | | NS | | Lifting eye..... | Oeillet levage | Hebeöse..... | Argoll elev | Lyftögla..... | |
| 20 | VOE 20450756 | 3 | | | | | Screw | Vis | Schraube..... | Tornillo | Skruv..... | |

| | | | | |
|---|--|--|-----------------------|------------|
| 1 | | Cylinderhuvud Culata Zylinderkopf Culasse Cylinder head | Catalogue id | Group |
| 2 | | | 20007 | 211 |
| 3 | | | Illustr. No | Section |
| 4 | | | 1000974 | 100 |
| 5 | | | Issue | Page |
| | | | VOE 63D9920007 | 49 |

VOLVO

L90E



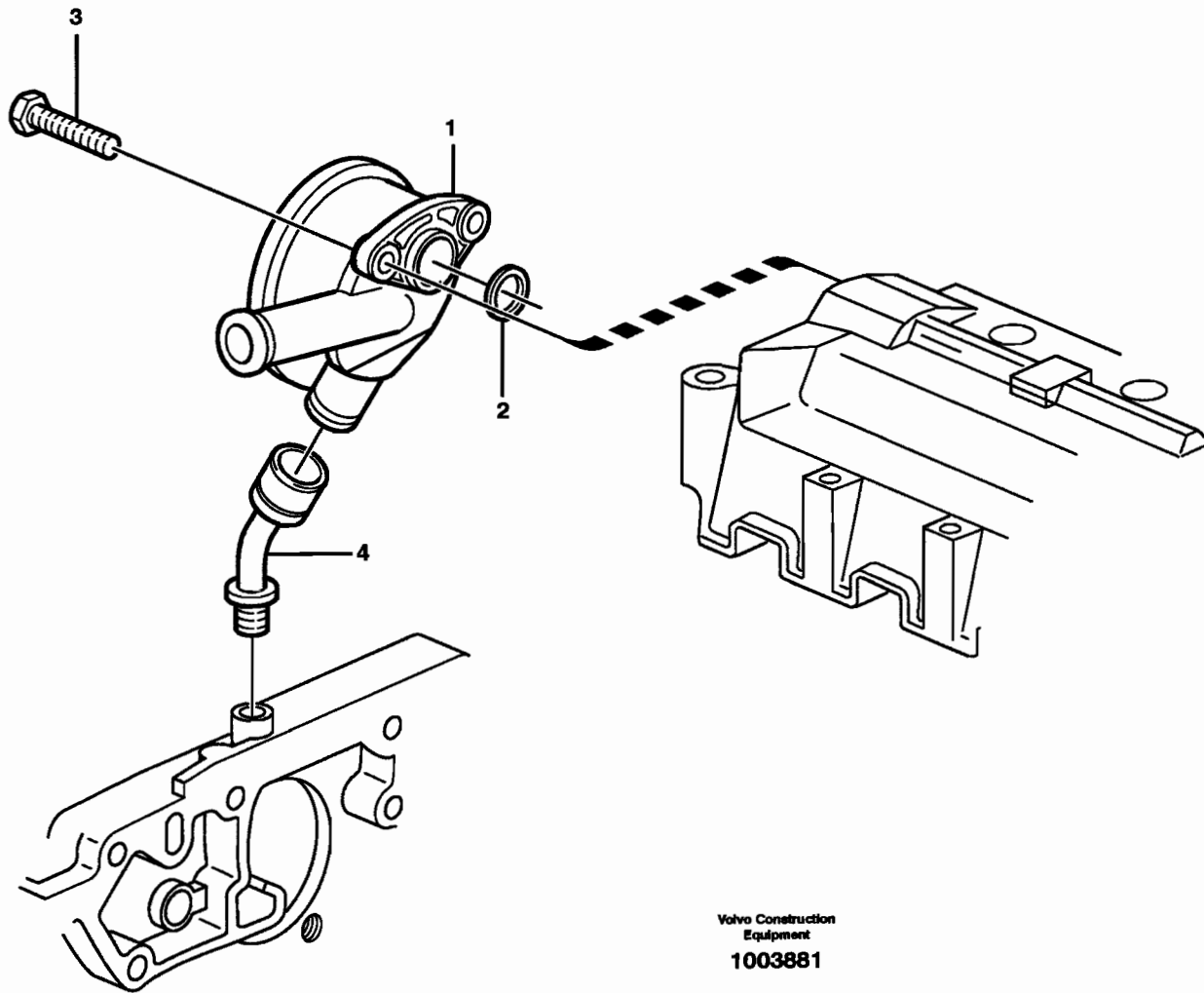
Volvo Construction
 Equipment
 1003677

| Fig. | Part No. | Quantity | | | P S | K I T | Description | Dénomination | Bezeichnung | Denominación | Benämning | Notes |
|------|--------------|----------|---|---|--------|----------------|--------------------|-------------------|--------------------|------------------|--|-------|
| | | 1 | 2 | 3 | | | | | | | | |
| | VOE 20533309 | 1 | | | | Cylinder Block | Bloc-cylindres | Zylinderblock | Bloque Cilindro | Cylinderblock | | |
| 1 | VOE 20460006 | 14 | | | | •Screw | •Vis | •Schraube | •Tornillo | •Skruv | | |
| 2 | VOE 20460001 | 14 | | | | •Bushing | •Bague | •Buchse | •Casquillo | •Bussning | | |
| 3 | VOE 945065 | 1 | | | | •Plug | •Bouchon | •Stopfen | •Tapon | •Plugg | | |
| 4 | VOE 976929 | 3 | | | | •Gasket | •Joint | •Dichtung | •Junta | •Packning | | |
| 5 | VOE 20405717 | 1 | | | | •Plug | •Bouchon | •Stopfen | •Tapon | •Plugg | | |
| 6 | VOE 20405719 | 1 | | | | •Plug | •Bouchon | •Stopfen | •Tapon | •Plugg | | |
| 7 | VOE 20405718 | 2 | | | | •Plug | •Bouchon | •Stopfen | •Tapon | •Plugg | | |
| 8 | VOE 20405716 | 2 | | | | •Plug | •Bouchon | •Stopfen | •Tapon | •Plugg | | |
| 9 | VOE 20405722 | 1 | | | | •Plug | •Bouchon | •Stopfen | •Tapon | •Plugg | | |
| 10 | VOE 20459999 | 6 | | | | •Cmsht Bushing | •Bag.arbre Cames | •Nockenw Buchse | •Casqiu Arb Lev | •Kamaxelbussning | | |
| 11 | VOE 20459998 | 1 | | | | •Cmsht Bushing | •Bag.arbre Cames | •Nockenw Buchse | •Casqiu Arb Lev | •Kamaxelbussning | | |
| 12 | VOE 20405721 | 9 | | | | •Hood | •Capuchon | •Verschlussdeckel | •Cubierta de tapón | •Huv | | |
| 13 | VOE 20412745 | 6 | | | | •Core Plug | •Ronde.fermeture | •Fullscheibe | •Tapon | •Täppbricka | | |
| 14 | VOE 20405584 | 1 | | | | •Guide Sleeve | •Manchon guide | •Führungshülse | •Manguito guia | •Styrhylsa | | |
| | VOE 20405906 | 1 | | | | •Guide Sleeve | •Manchon guide | •Führungshülse | •Manguito guia | •Styrhylsa | | |
| 14A | VOE 20459997 | 6 | | | | Cylinder Liner | Chemise Cylind. | Zyl Buchse | Camisa | Cylinderfoder | | |
| 15 | VOE 11709826 | 1 | | | | Flange screw | Vis à bride | Flanschschraube | Torn embridado | Flänsskruv | | |
| 16 | VOE 24426064 | 1 | | | | Cover | Capot | Haube | Capo | Huv | (VOE 20501977) SER NR - 806171 SER NR 806172 - | |
| | VOE 20459898 | 1 | | | | Cover | Capot | Haube | Capo | Huv | | |
| 17 | VOE 20412359 | 1 | | | | Sealing ring | Bague d'étanchéité | Runddichtring | Anillo reten | Tätningring | | |
| 18 | VOE 20532680 | 3 | | | | Plug | Bouchon | Stopfen | Tapon | Plugg | | |
| 19 | VOE 13947281 | 1 | | | | Gasket | Joint | Dichtung | Junta | Packning | | |
| 20 | VOE 20405716 | 1 | | | | Plug | Bouchon | Stopfen | Tapon | Plugg | | |
| 21 | VOE 13947621 | 1 | | | | Plane Gasket | Joint Plan | Flachdichtung | Junta Plana | Planpackning | | |
| 22 | VOE 20450778 | 1 | | | | Core Plug | Ronde.fermeture | Fullscheibe | Tapon | Täppbricka | | |
| 23 | VOE 20702078 | 1 | | | | Plug | Bouchon | Stopfen | Tapon | Plugg | | |
| 24 | VOE 20405728 | 1 | | | | Sealing ring | Bague d'étanchéité | Runddichtring | Anillo reten | Tätningring | | |

| | | | | |
|---|--|--|-----------------------|------------|
| 1 | | Cylinderblock Bloque de cilindros Zylinderblock Bloc-cylindres Cylinder block | Catalogue id | Group |
| 2 | | | 20007 | 212 |
| 3 | | | Illustr. No | Section |
| 4 | | | 1003677 | 100 |
| 5 | | | Issue | Page |
| | | | VOE 63D9920007 | 51 |

VOLVO

L90E

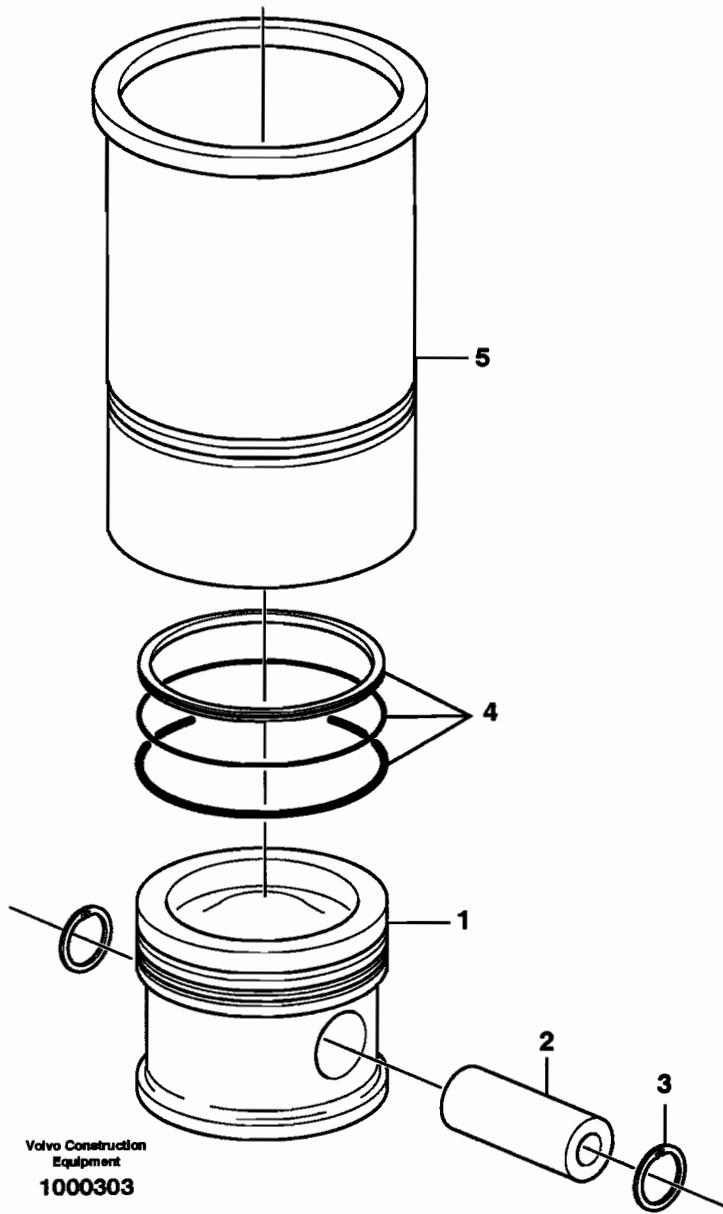


| Fig. | Part No. | Quantity | | | P S | K I T | Description | Dénomination | Bezeichnung | Denominación | Benämning | Notes |
|------|--------------|----------|---|---|--------|-------------|-----------------------|-----------------------|------------------|--------------------|---------------------|----------------|
| | | 1 | 2 | 3 | | | | | | | | |
| 1 | VOE 20459252 | 1 | | | | SS | Press Regulator | Regulateu Press | Druckregler..... | Regul Presion..... | Tryckregulator..... | |
| 2 | VOE 20405627 | 1 | | | | | Gasket..... | Joint | Dichtung | Junta | Packning..... | |
| 3 | VOE 20450728 | 2 | | | | | Bolt..... | Boulon..... | Bolzen | Perno..... | Bult..... | (VOE 20497047) |
| 4 | VOE 20405938 | 1 | | | | | Connector | Raccord..... | Anschluss..... | Union | Anslutning..... | |

| | | | | |
|---|--|--|-----------------------|------------|
| 1 | | Vevhusventilation Ventilación del cárter Kurbelgehäusebelüftung Ventilation de carter Crankcase ventilation | Catalogue id | Group |
| 2 | | | 20007 | 212 |
| 3 | | | Illustr. No | Section |
| 4 | | | 1003881 | 150 |
| 5 | | | Issue | Page |
| | | | VOE 63D9920007 | 53 |

VOLVO

L90E



Volvo Construction
Equipment
1000303

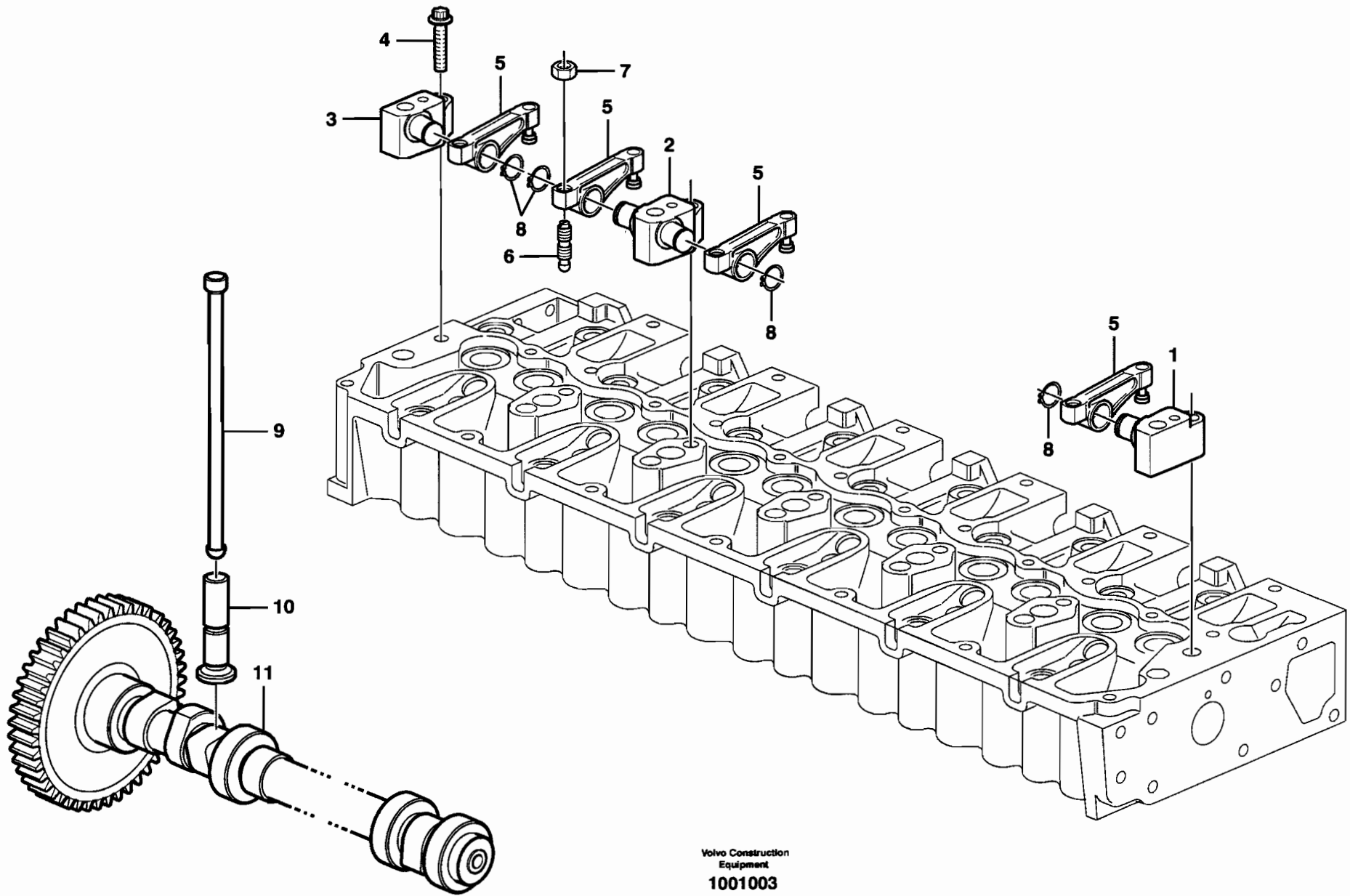


| Fig. | Part No. | Quantity | | | P S | K I T | Description | Dénomination | Bezeichnung | Denominación | Benämning | Notes |
|------|--------------|----------|---|---|--------|------------------------|------------------------|-----------------------|-----------------------|---------------------|-----------|-------|
| | | 1 | 2 | 3 | | | | | | | | |
| 1 | VOE 20460025 | 6 | | | | Piston | Piston | Kolben | Piston | Kolv | | |
| 2 | VOE 20460009 | 6 | | | | •Piston Pin | •Axe Piston | •Kolbenbolzen | •Bulon | •Kolv tapp | | |
| 3 | VOE 20460010 | 12 | | | | •Clip | •Clip | •Klemme | •Clip | •Clips | | |
| 4 | VOE 20460011 | 6 | | | | •Piston Ring Kit | •Jeu Segm.piston | •Kolbenringsatz | •Jg Segm Piston | •Kolvringsats | | |
| 5 | VOE 20459997 | 6 | | | | Cylinder Liner | Chemise Cylind. | Zyl Buchse | Camisa | Cylinderfoder | | |

| | | | | |
|---|--|-------------------------------|----------------|------------|
| 1 | | Cylinderfoder och kolv | Catalogue id | Group |
| 2 | | Camisa y piston | 20007 | 213 |
| 3 | | Zylinderlaufbuchse und Kolben | Illustr. No | Section |
| 4 | | Chemise cylindre et piston | 1000303 | 100 |
| 5 | | Cylinder liner and piston | Issue | Page |
| | | | VOE 63D9920007 | 55 |

VOLVO

L90E



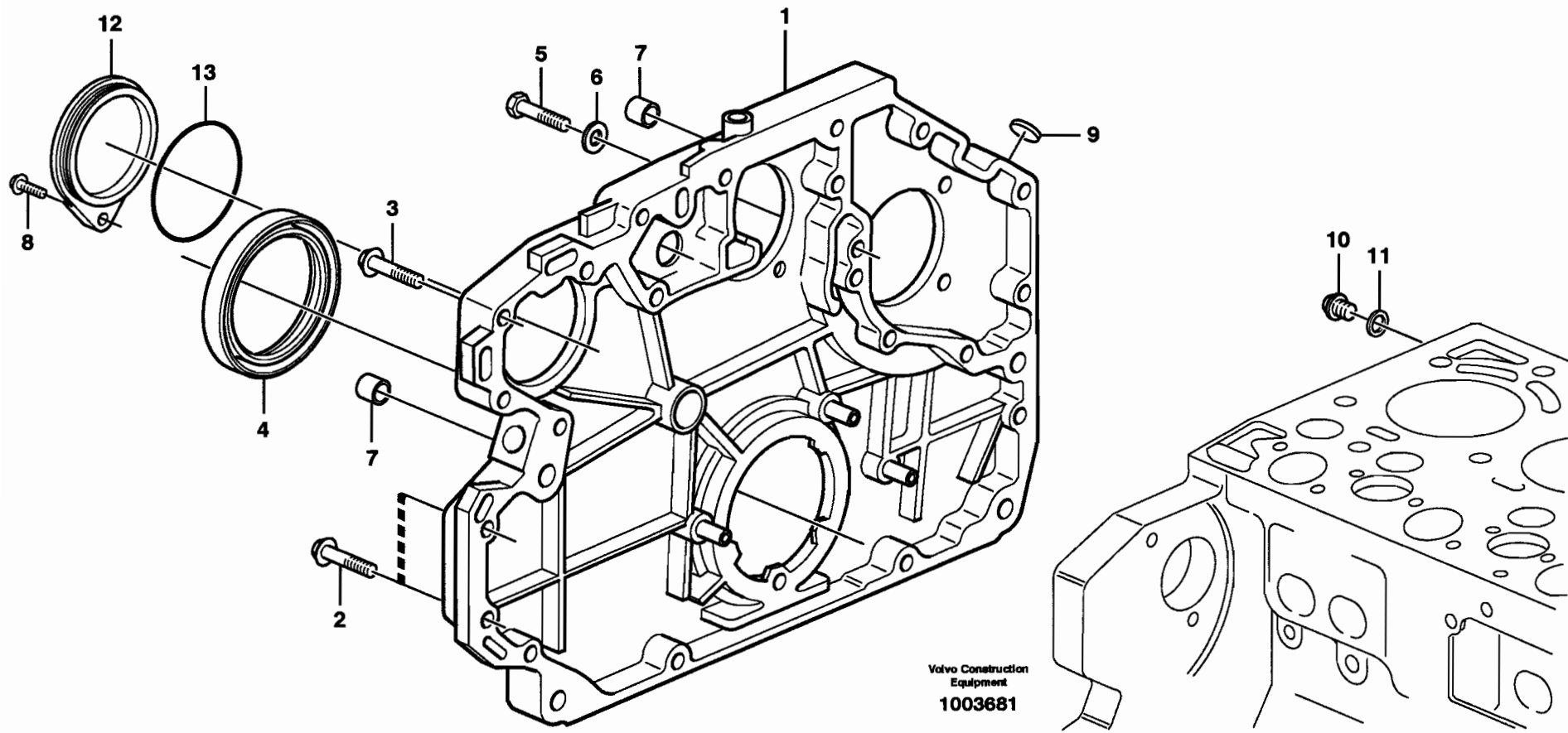
Volvo Construction
Equipment
1001003

| Fig. | Part No. | Quantity | | | P S | K I T | Description | Dénomination | Bezeichnung | Denominación | Benämning | Notes |
|------|--------------|----------|---|---|--------|-----------------|---------------------|------------------|----------------------|-----------------|-----------|-------|
| | | 1 | 2 | 3 | | | | | | | | |
| 1 | VOE 20459848 | 1 | | | | Bracket..... | Console..... | Konsole..... | Consola..... | Konsol..... | | |
| 2 | VOE 20459847 | 5 | | | | Bracket..... | Console..... | Konsole..... | Consola..... | Konsol..... | | |
| 3 | VOE 20459849 | 1 | | | | Bracket..... | Console..... | Konsole..... | Consola..... | Konsol..... | | |
| 4 | VOE 20459853 | 7 | | | | Screw..... | Vis..... | Schraube..... | Tornillo..... | Skruv..... | | |
| 5 | VOE 20459850 | 12 | | | | Rocker Arm..... | Culbuteur..... | Kipphebel..... | Balancin..... | Vipparm..... | | |
| 6 | VOE 20405524 | 12 | | | | Screw..... | Vis..... | Schraube..... | Tornillo..... | Skruv..... | | |
| 7 | VOE 11700373 | 12 | | | | Nut..... | Ecrou..... | Mutter..... | Tuerca..... | Mutter..... | | |
| 8 | VOE 945495 | 12 | | | | Snap Ring..... | Circlip..... | Nutring..... | Circlip..... | Spårring..... | | |
| 9 | VOE 20460008 | 12 | | | | Push Rod..... | Tige-poussoir..... | Druckstange..... | Varilla Presion..... | Tryckstång..... | | |
| 10 | VOE 20460007 | 12 | | | | Tappet..... | Poussoir Pompe..... | Pumpdrucker..... | Balancin..... | Lyftare..... | | |
| 11 | VOE 20502005 | 1 | | | | Camshaft..... | Arbre a cames..... | Nockenwelle..... | Eje de levas..... | Kamaxel..... | | |

| | | | |
|---|---|-----------------------|------------|
| 1 | Ventilmekanism Mecanismo de válvulas Ventilmechanismus Commande des soupapes Valve mechanism | Catalogue id | Group |
| 2 | | 20007 | 214 |
| 3 | | Illustr. No | Section |
| 4 | | 1001003 | 100 |
| 5 | | Issue | Page |
| | | VOE 63D9920007 | 57 |

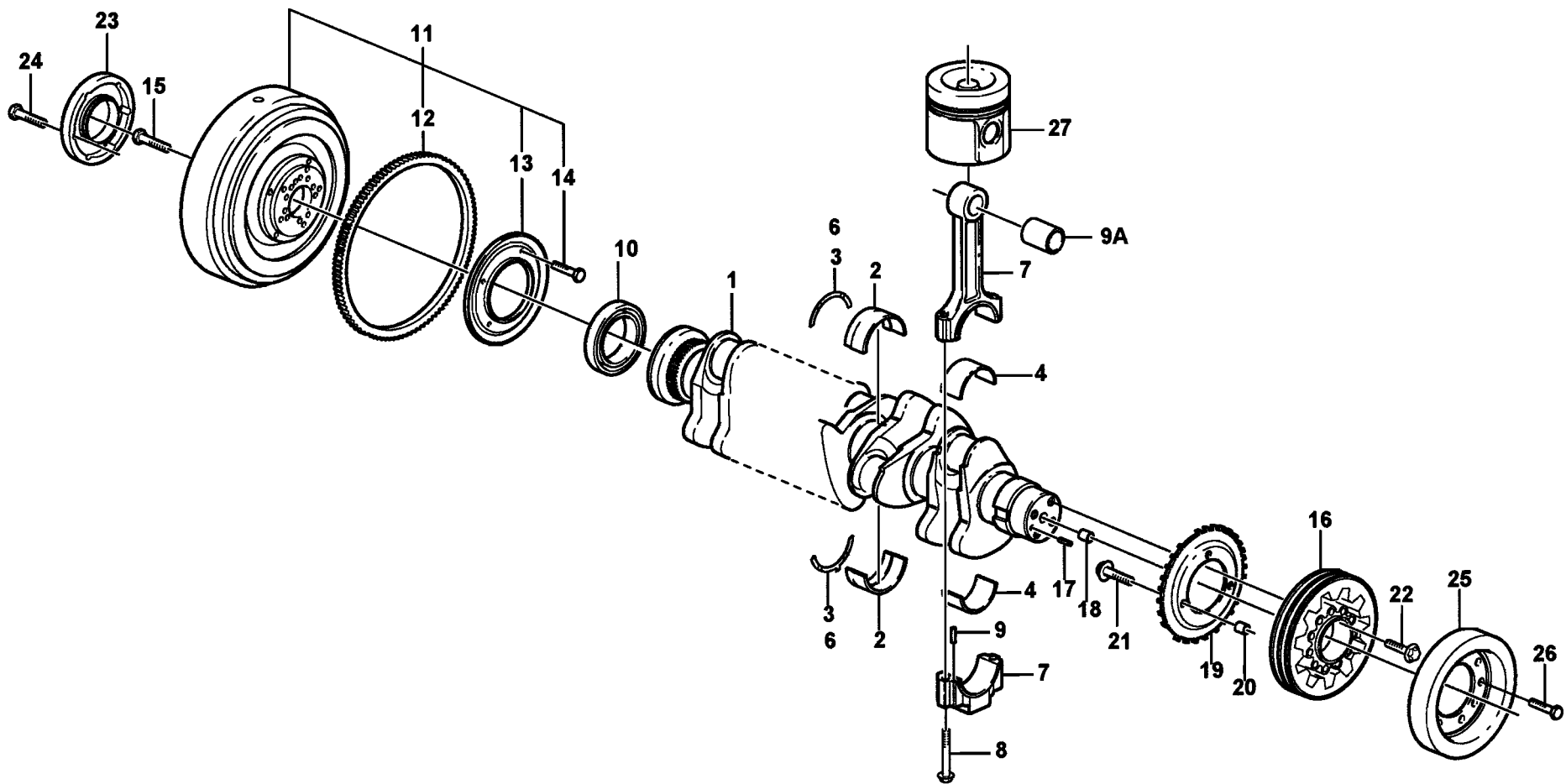
VOLVO

L90E



| Fig. | Part No. | Quantity | | | P S | K I T | Description | Dénomination | Bezeichnung | Denominación | Benämning | Notes |
|------|--------------|----------|---|---|--------|-------------|--|---------------------|------------------------|----------------------|---------------------|-------|
| | | 1 | 2 | 3 | | | | | | | | |
| 1 | VOE 20482787 | 1 | | | | | Tmg Gear Casing..... Carter Distrib..... | Steuergehäuse..... | Cubiert Distrib..... | Transm.kåpa..... | SER NO - 920347 | |
| | VOE 20592802 | 1 | | | | | Tmg Gear Casing..... Carter Distrib..... | Steuergehäuse..... | Cubiert Distrib..... | Transm.kåpa..... | SER NO 920348 - | |
| 2 | VOE 20412324 | 12 | | | | | Screw..... | Vis..... | Schraube..... | Tornillo..... | Skruv..... | |
| 3 | VOE 20450801 | 4 | | | | | Screw..... | Vis..... | Schraube..... | Tornillo..... | Skruv..... | |
| 4 | VOE 20459115 | 1 | | | | | Crankshaft Seal..... | Joint Vilebreq..... | Kurbelw Dichtg..... | Reten Ciguenal..... | Vevaxeltätning..... | |
| 5 | VOE 20405653 | 2 | | | | | Screw..... | Vis..... | Schraube..... | Tornillo..... | Skruv..... | |
| 6 | VOE 13955900 | 2 | | | | | Washer..... | Rondelle..... | Scheibe..... | Arandela..... | Bricka..... | |
| 7 | VOE 20405646 | 2 | | | | | Bushing..... | Bague..... | Buchse..... | Casquillo..... | Bussning..... | |
| 8 | VOE 20405672 | 1 | | | | | Screw..... | Vis..... | Schraube..... | Tornillo..... | Skruv..... | |
| 9 | VOE 20405605 | 1 | | | | | Cover..... | Capot..... | Haube..... | Capo..... | Huv..... | |
| 10 | VOE 960630 | 2 | | | | | Lock Plug..... | Tampon Verroui..... | Verschlusschraube..... | Tapon Seguridad..... | Låsplugg..... | |
| 11 | VOE 13947621 | 2 | | | | | Plane Gasket..... | Joint Plan..... | Flachdichtung..... | Junta Plana..... | Planpackning..... | |
| 12 | VOE 20459901 | 1 | | | | | Cover..... | Capot..... | Haube..... | Capo..... | Huv..... | |
| 13 | VOE 11700625 | 1 | | | | | O-ring..... | Joint Torique..... | O-Ring..... | Junta torica..... | O-ring..... | |

| | | | |
|---|--|----------------|------------|
| 1 | Transmissionskåpa och drev Caja de distribución y engranajes Stirradgehäuse und Nabenvorgelege Carter de distribution et engrenage Timing gear casing and gears | Catalogue id | Group |
| 2 | | 20007 | 215 |
| 3 | | Illustr. No | Section |
| 4 | | 1003681 | 100 |
| 5 | | Issue | Page |
| | | VOE 63D9920007 | 59 |



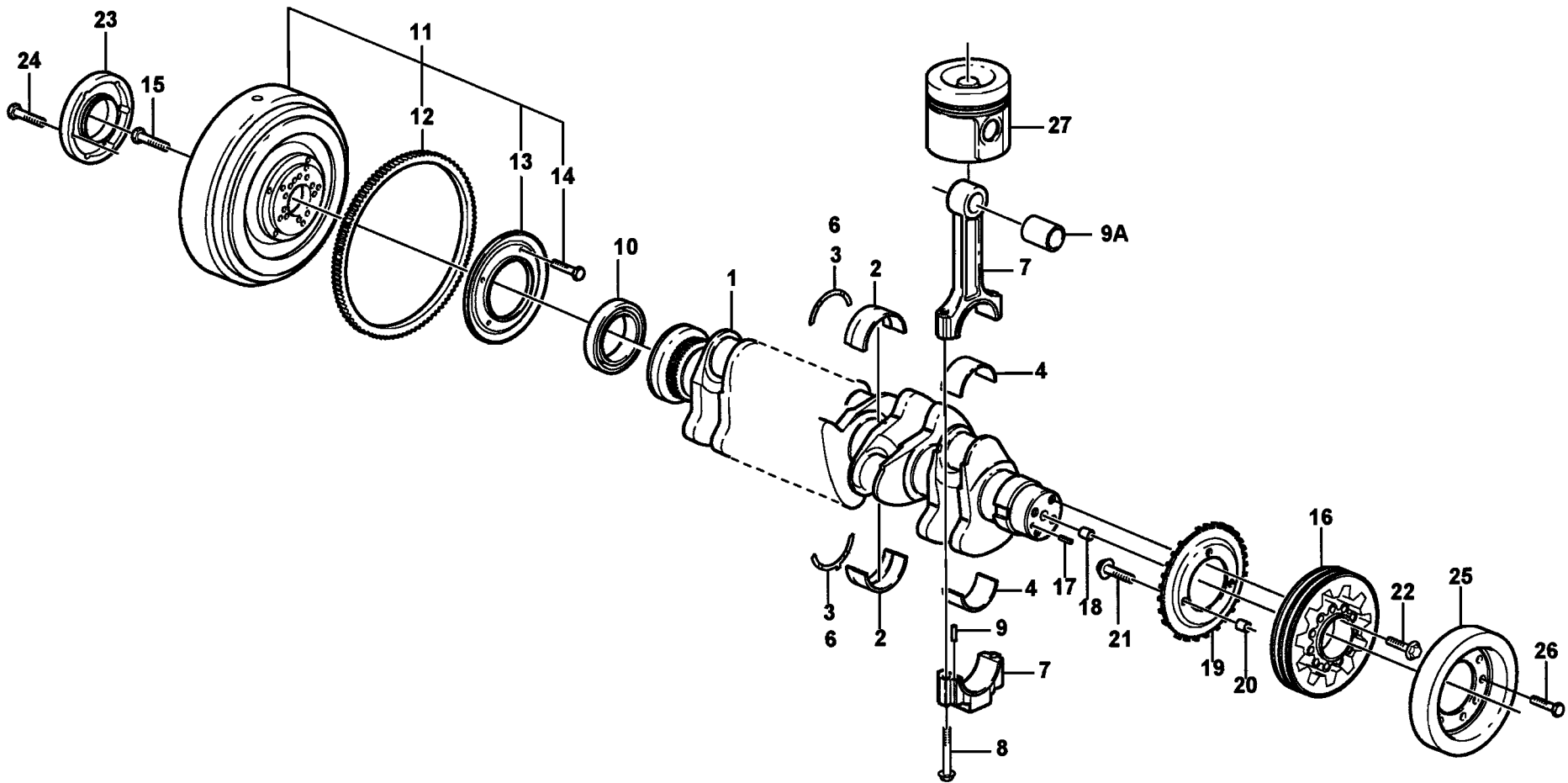
Volvo Construction
Equipment
1003695

| Fig. | Part No. | Quantity | | | P S | K I T | Description | Dénomination | Bezeichnung | Denominación | Benämning | Notes |
|------|--------------|----------|---|---|--------|-------------|--|----------------------|-----------------------|----------------------|---------------------|-------|
| | | 1 | 2 | 3 | | | | | | | | |
| 1 | VOE 20482787 | 1 | | | | | Tmg Gear Casing..... Carter Distrib..... | Steuergehäuse..... | Cubiert Distrib | Transm.kåpa..... | SER NO - 920347 | |
| | VOE 20592802 | 1 | | | | | Tmg Gear Casing..... Carter Distrib..... | Steuergehäuse..... | Cubiert Distrib | Transm.kåpa..... | SER NO 920348 - | |
| 2 | VOE 20412324 | 12 | | | | | Screw..... | Vis | Schraube..... | Tornillo | Skruv..... | |
| 3 | VOE 20450801 | 4 | | | | | Screw..... | Vis | Schraube..... | Tornillo | Skruv..... | |
| 4 | VOE 20459115 | 1 | | | | | Crankshaft Seal | Joint Vilebreq. | Kurbelw Dichtg | Reten Ciguenal | Vevaxeltätning..... | |
| 5 | VOE 20405653 | 2 | | | | | Screw..... | Vis | Schraube..... | Tornillo | Skruv..... | |
| 6 | VOE 13955900 | 2 | | | | | Washer..... | Rondelle..... | Scheibe..... | Arandela..... | Bricka..... | |
| 7 | VOE 20405646 | 2 | | | | | Bushing..... | Bague..... | Buchse..... | Casquillo | Bussning..... | |
| 8 | VOE 20405672 | 1 | | | | | Screw..... | Vis | Schraube..... | Tornillo | Skruv..... | |
| 9 | VOE 20405605 | 1 | | | | | Cover..... | Capot | Haube..... | Capo..... | Huv..... | |
| 10 | VOE 960630 | 2 | | | | | Lock Plug | Tampon Verroui. | Verschlusschraube... | Tapon Seguridad..... | Låsplugg..... | |
| 11 | VOE 13947621 | 2 | | | | | Plane Gasket | Joint Plan | Flachdichtung..... | Junta Plana | Planpackning..... | |
| 12 | VOE 20459901 | 1 | | | | | Cover..... | Capot | Haube..... | Capo..... | Huv..... | |
| 13 | VOE 11700625 | 1 | | | | | O-ring..... | Joint Torique | O-Ring..... | Junta torica..... | O-ring..... | |

| | | | | |
|---|--|---|----------------|------------|
| 1 | | Transmissionskåpa och drev Caja de distribución y engranajes Stirnradgehäuse und Nabenvorgelege Carter de distribution et engrenage Timing gear casing and gears | Catalogue id | Group |
| 2 | | | 20007 | 215 |
| 3 | | | Illustr. No | Section |
| 4 | | | 1003681 | 100 |
| 5 | | | Issue | Page |
| | | | VOE 63D9920007 | 59 |

VOLVO

L90E

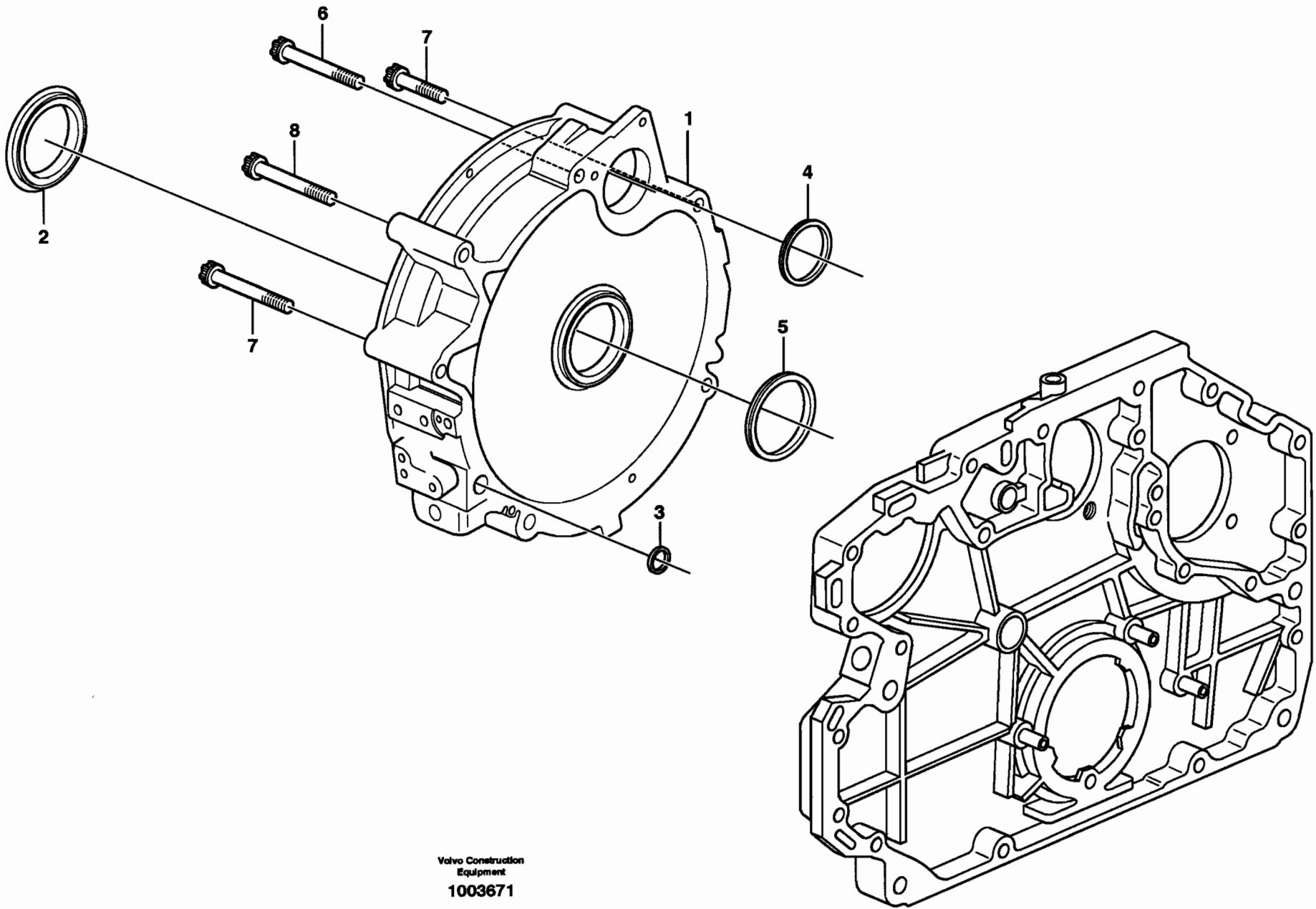


| Fig. | Part No. | Quantity | | | P S | K I T | Description | Dénomination | Bezeichnung | Denominación | Benämning | Notes |
|------|--------------|----------|---|---|--------|-----------------------|------------------------|-----------------------|------------------------|---------------------|-------------------------|-------|
| | | 1 | 2 | 3 | | | | | | | | |
| 1 | VOE 20459146 | 1 | | | | Crankshaft..... | Vilebrequin | Kurbelwelle..... | Ciguenal | Vevaxel..... | | |
| 2 | VOE 20459140 | 7 | | | | •Main Bearing | •Pal.vilebrequin | •Hauptlager | •Cojin Bancada..... | •Ramlager..... | | |
| 3 | VOE 20459149 | 2 | | | | •Thrust Washer | •Rondelle Butee | •Druckscheibe | •Arandela Presio | •Tryckbricka..... | | |
| 4 | VOE 20555403 | 6 | | | | •Bearing | •Palier..... | •Lager | •Cojinete | •Lager..... | SER NO - 699198 | |
| | VOE 20480536 | 6 | | | | •Bearing | •Palier..... | •Lager | •Cojinete | •Lager..... | SER NO 699199 - 1047119 | |
| 5 | VOE 20459144 | REQ | | | | •Pin | •Goupille..... | •Zapfen..... | •Pasador..... | •Tapp | | |
| 6 | VOE 20459143 | REQ | | | | •Thrust Washer | •Rondelle Butee | •Druckscheibe | •Arandela Presio | •Tryckbricka..... | T = 2,00 MM | |
| 7 | VOE 20551431 | 6 | | | | Connecting Rod | Bielle | Pleuel | Biela | Tapp..... | | |
| 8 | VOE 20459133 | 12 | | | | •Bolt | •Boulon..... | •Bolzen | •Perno | •Bult..... | | |
| 9 | VOE 20459134 | 12 | | | | •Pin | •Goupille..... | •Zapfen..... | •Pasador..... | •Tapp | | |
| 9A | VOE 20523284 | 6 | | | | •Bushing..... | •Bague | •Buchse | •Casquillo | •Bussning..... | | |
| 10 | VOE 20459115 | 1 | | | | Crankshaft Seal | Joint Vilebreq. | Kurbelw Dichtg | Reten Ciguenal | Vevaxeltätning..... | | |
| 11 | VOE 20459127 | 1 | | | | Flywheel..... | Volant..... | Schwungrad | Volante | Svänghjul..... | ser no - 876577 | |
| | VOE 20572781 | 1 | | | | Flywheel..... | Volant..... | Schwungrad | Volante | Svänghjul..... | SER NO 876578 - | |
| 12 | VOE 11700320 | 1 | | | | •Start Gear Ring..... | •Couro.demarrage..... | •Zahnkranz | •Corona Arranque | •Startkran..... | | |
| 13 | VOE 11700321 | 1 | | | | •Seal | •Joint | •Dichtung..... | •Reten | •Tätning..... | | |
| 14 | VOE 11700322 | 4 | | | | •Screw..... | •Vis | •Schraube..... | •Tornillo | •Skruv..... | | |
| 15 | VOE 11700307 | 10 | | | | Screw | Vis | Schraube..... | Tornillo | Skruv..... | | |
| 16 | VOE 20516985 | 1 | | | | Pulley | Poulie | Z-riemenscheibe | Polea Corr Dent | Kuggremhjul..... | | |
| 17 | VOE 20450628 | 1 | | | | Pin..... | Goupille..... | Zapfen | Pasador | Tapp | | |
| 18 | VOE 20405634 | 1 | | | | Spring Pin | Axe de ressort..... | Federstift | Pasador Resorte | Fjäderpinne..... | | |
| 19 | VOE 20459157 | 1 | | | | Lock Washer..... | Rondel.verroui..... | Sicher Scheibe | Arandel Segurid | Låsbricka..... | | |
| 20 | VOE 20450838 | 1 | | | | Pin..... | Goupille..... | Zapfen | Pasador | Tapp | | |
| 21 | VOE 11709826 | 3 | | | | Flange screw..... | Vis à bride | Flanschschraube..... | Torn embridado..... | Flänsskruv..... | | |
| 22 | VOE 20405724 | 4 | | | | Screw | Vis | Schraube..... | Tornillo | Skruv..... | | |
| 23 | VOE 20460793 | 1 | | | | Flange..... | Flasque | Flansch..... | Brida..... | Fläns..... | | |
| 24 | VOE 20459126 | 5 | | | | Screw | Vis | Schraube..... | Tornillo | Skruv..... | | |
| 25 | VOE 20412424 | 1 | | | | Vib Damper..... | Amort.vibration..... | Schwingdämpfer | Amortig Vibrac..... | Vibr.dämpare..... | | |
| 26 | VOE 11709826 | 9 | | | | Flange screw..... | Vis à bride | Flanschschraube..... | Torn embridado..... | Flänsskruv..... | | |
| 27 | | 6 | | | | Piston..... | Piston | Kolben | Piston | Kolv..... | See group 213, Page 55 | |

| | | | | |
|---|--|---|-----------------------|------------|
| 1 | | Vevrörelse Cigüeñal Kurbelbewegung Axe à vilebreguintas Crankshaft and related parts | Catalogue id | Group |
| 2 | | | 20007 | 216 |
| 3 | | | Illustr. No | Section |
| 4 | | | 1003695 | 100 |
| 5 | | | Issue | Page |
| | | | VOE 63D9920007 | 61 |

VOLVO

L90E



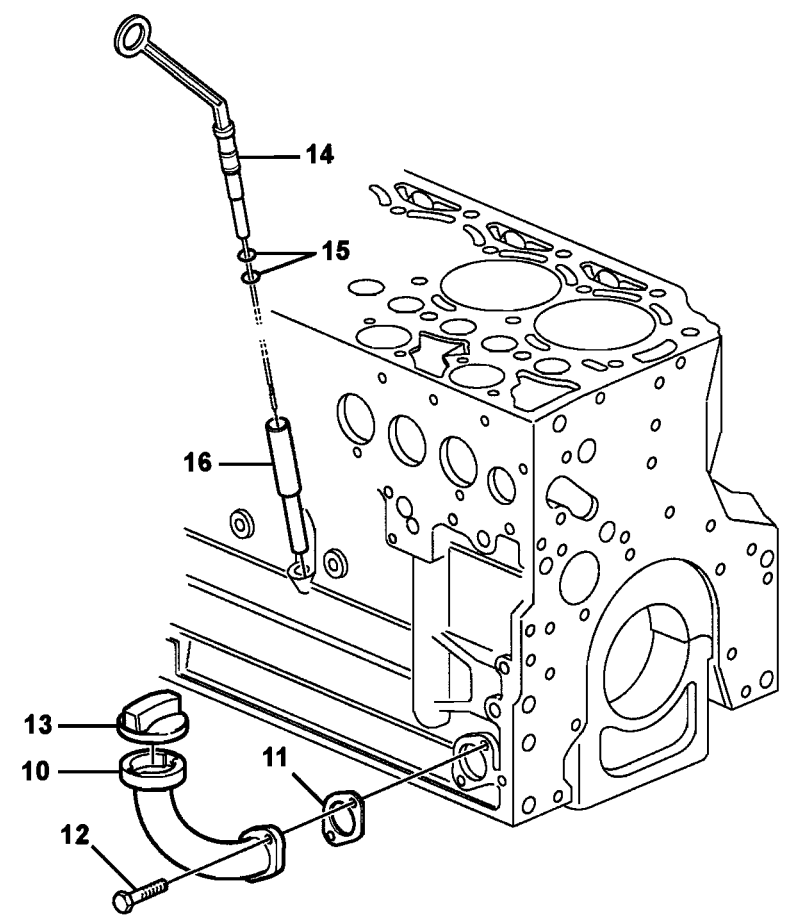
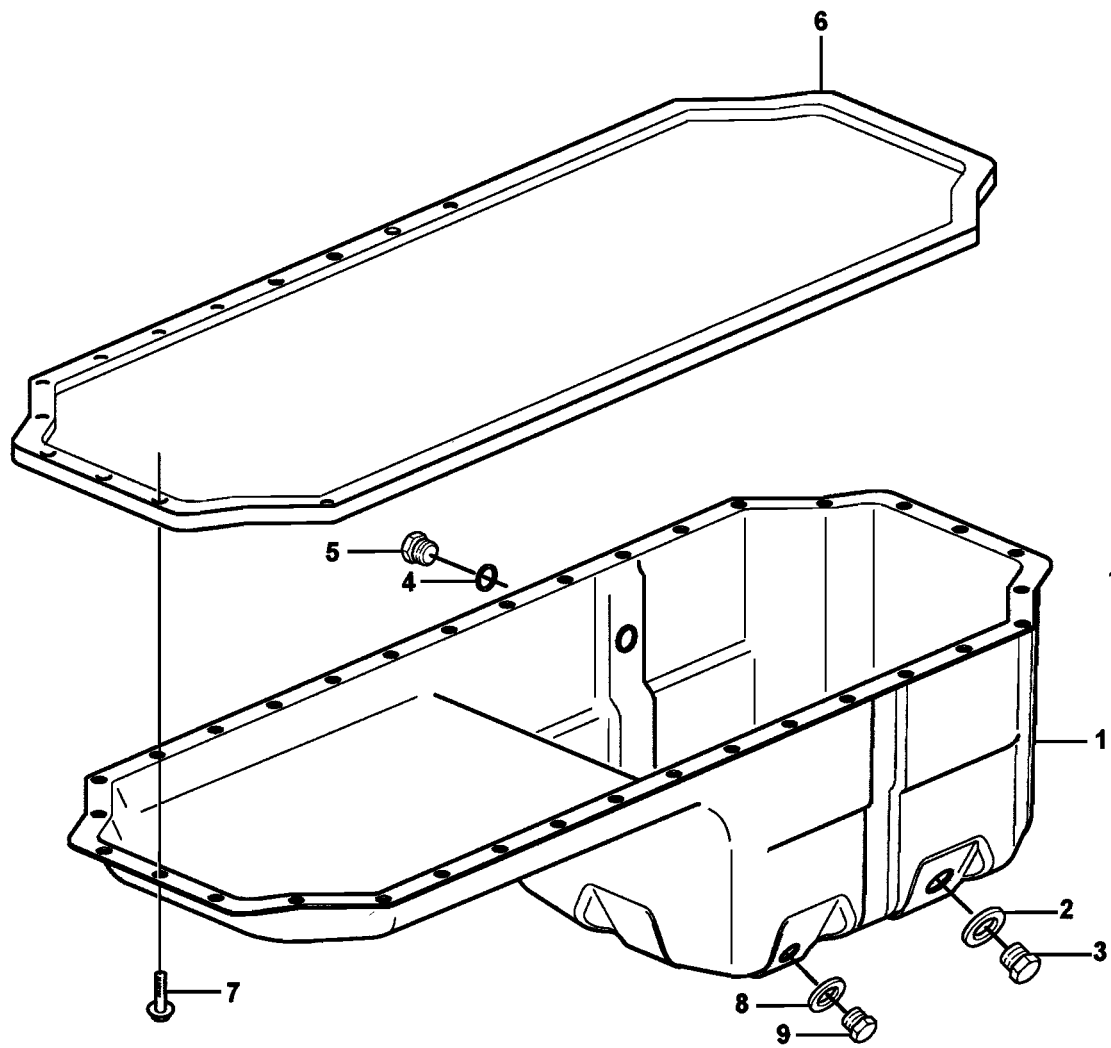
Volvo Construction
Equipment
1003671

| Fig. | Part No. | Quantity | | | P S | K I T | Description | Dénomination | Bezeichnung | Denominación | Benämning | Notes |
|------|--------------|----------|---|---|--------|---------------------|--------------------------|---------------------|-----------------------|---------------------|----------------|-------|
| | | 1 | 2 | 3 | | | | | | | | |
| 1 | VOE 20459988 | 1 | | | | Flywheel Hsg | Carter Volant..... | Schwungradgeh | Cubiert Volante | Svänghjulsåpa..... | | |
| 2 | VOE 20450784 | 1 | | | | •Sealing Ring | •Bagu.etancheite..... | •Runddichtring..... | •Anillo Reten..... | •Tättningsring..... | (VOE 11700592) | |
| 3 | VOE 20459993 | 4 | | | | O-ring | Joint Torique | O-Ring..... | Junta torica..... | O-ring..... | | |
| 4 | VOE 20459994 | 1 | | | | Sealing ring | Bague d'étanchéité | Runddichtring | Anillo reten | Tättningsring..... | | |
| 5 | VOE 11700599 | 1 | | | | Sealing ring | Bague d'étanchéité | Runddichtring | Anillo reten | Tättningsring..... | | |
| 6 | VOE 20459991 | 3 | | | | Screw..... | Vis | Schraube..... | Tornillo | Skruv..... | | |
| 7 | VOE 20501346 | 2 | | | | Screw..... | Vis | Schraube..... | Tornillo | Skruv..... | | |
| 8 | VOE 20459984 | 1 | | | | Screw..... | Vis | Schraube..... | Tornillo | Skruv..... | | |

| | | | |
|---|--|-----------------------|------------|
| 1 | Svänghjulsåpa Carcasa del volante Schwungradgehäuse Carter de volant Flywheel housing | Catalogue id | Group |
| 2 | | 20007 | 216 |
| 3 | | Illustr. No | Section |
| 4 | | 1003671 | 150 |
| 5 | | Issue | Page |
| | | VOE 63D9920007 | 63 |

VOLVO

L90E



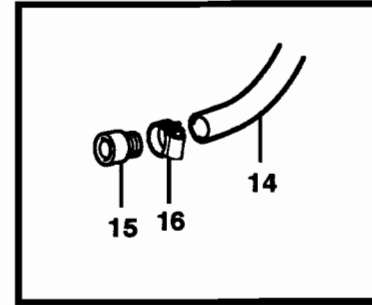
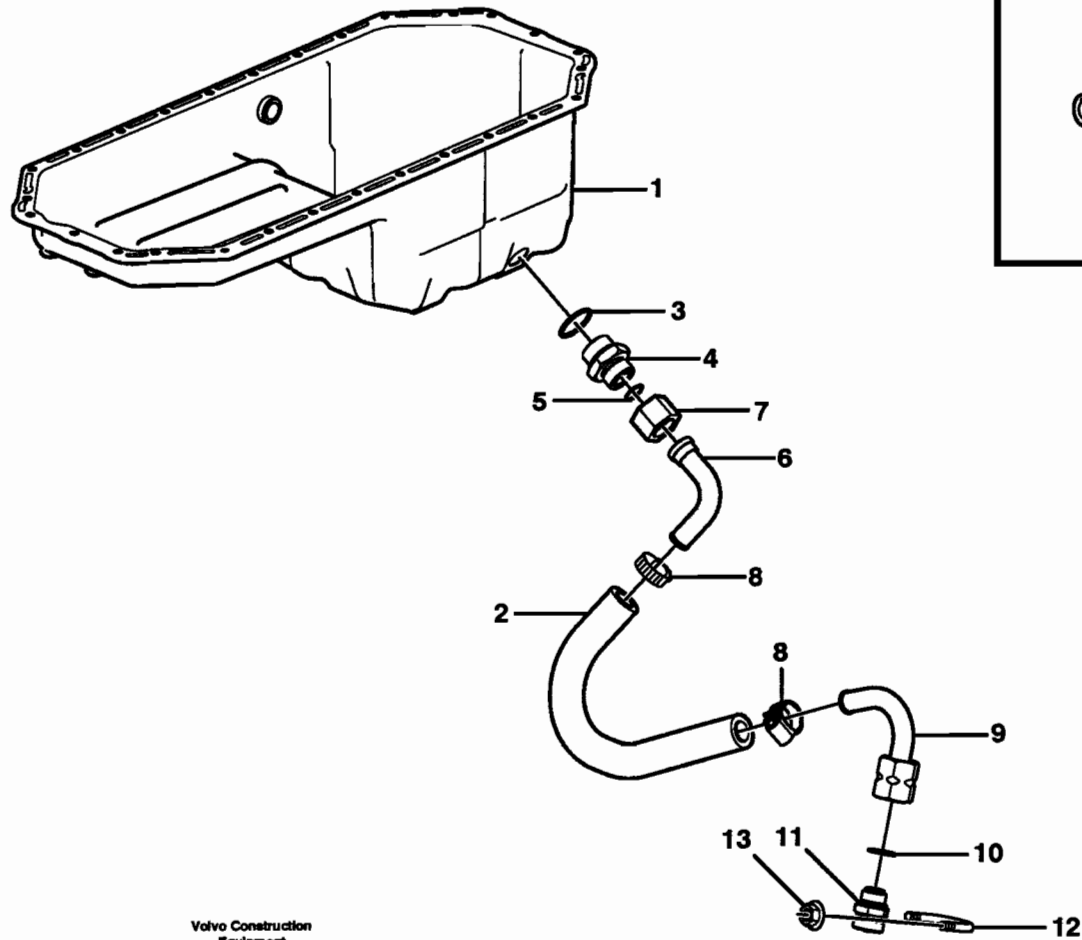
Volvo Construction
Equipment
1012850

| Fig. | Part No. | Quantity | | | P S | K I T | Description | Dénomination | Bezeichnung | Denominación | Benämning | Notes |
|------|--------------|----------|---|---|--------|----------------------|---------------------------|-------------------------|--------------------------|----------------------|-----------|-------|
| | | 1 | 2 | 3 | | | | | | | | |
| 1 | VOE 20516987 | 1 | | | | Oil Pan | Carter Huile | Ölwanne | Carter Aceite | Oljesump..... | | |
| 2 | VOE 20496256 | 1 | | | | •Gasket | •Joint | •Dichtung..... | •Junta | •Packning..... | | |
| 3 | VOE 20496257 | 1 | | | | •Plug | •Tampon..... | •Stopfen | •Tapon..... | •Plugg..... | | |
| 4 | VOE 20460026 | 1 | | | | •Sealing ring..... | •Bague d'étanchéité | •Runddichtring..... | •Anillo reten | •Tättningsring..... | | |
| 5 | VOE 20460024 | 1 | | | | •Screw plug..... | •Bouchon à vis | •Schraube..... | •Tapón roscado | •Skruvplugg..... | | |
| 6 | VOE 20460022 | 1 | | | | Gasket..... | Joint | Dichtung..... | Junta | Packning..... | | |
| 7 | VOE 20405792 | 28 | | | | Screw..... | Vis | Schraube..... | Tornillo | Skruv..... | | |
| 8 | VOE 7011998 | 1 | | | | Gasket..... | Joint | Dichtung..... | Junta | Packning..... | | |
| 9 | VOE 20405506 | 1 | | | | Screw plug..... | Bouchon à vis | Verschlussschraube..... | Tornillo de cierre | Skruvplugg..... | | |
| 10 | VOE 20537521 | 1 | | | | Filler neck..... | Tuyau rempliss..... | Einfüllstutzen..... | Cuello Llenado | Påfyllningshals..... | | |
| 11 | VOE 20405825 | 1 | | | | Gasket..... | Joint | Dichtung..... | Junta | Packning..... | | |
| 12 | VOE 20405885 | 2 | | | | Screw..... | Vis | Schraube..... | Tornillo | Skruv..... | | |
| 13 | VOE 20405835 | 1 | | | | Oil Filler Cap | Bouchon D'huile | Ölfulldeckel..... | Tapa Llen Aceit | Oljepåf.lock..... | | |
| 14 | VOE 20496388 | 1 | | | SS | Dipstick | Jauge | Messtab..... | Varill Medic..... | Mätsticka..... | | |
| 15 | VOE 20412343 | 2 | | | | •Sealing ring..... | •Bague d'étanchéité | •Runddichtring..... | •Anillo reten | •Tättningsring..... | | |
| 16 | VOE 20459164 | 1 | | | | Guide Tube | Tube Guide | Führungsrohr..... | Tubo Guia | Styrrör..... | | |

| | | | | |
|---|--|--|-----------------------|------------|
| 1 | | Oljesump Cárter Ölwanne Carter d'huile Oil sump | Catalogue id | Group |
| 2 | | | 20007 | 217 |
| 3 | | | Illustr. No | Section |
| 4 | | | 1012850 | 100 |
| 5 | | | Issue | Page |
| | | | VOE 63D9920007 | 65 |

VOLVO

L90E



Volvo Construction
Equipment
1009115

| Fig. | Part No. | Quantity | | | P S | K I T | Description | Dénomination | Bezeichnung | Denominación | Benämning | Notes |
|------|--------------|----------|---|---|--------|----------------------|--------------------------|-----------------------|-----------------------|----------------------|------------------------|-------|
| | | 1 | 2 | 3 | | | | | | | | |
| 1 | | 1 | | | | Oil Pan | Carter d'huile..... | Ölwanne | Carter de aceite..... | Oljesump..... | See group 217, Page 65 | |
| 2 | VOE 13961193 | REQ | | | | Hydraulic Hose..... | Flexible Hydra | Druckölschlauch..... | Conducto Hidr | Hydraulslang..... | L = 490 MM | |
| 3 | VOE 13947630 | 1 | | | | Gasket..... | Joint | Dichtung | Junta | Packning..... | | |
| 4 | VOE 11163064 | 1 | | | | Nipple..... | Raccord..... | Nippel | Niple | Nippel..... | | |
| 5 | VOE 981289 | 1 | | | | O-ring..... | Joint Torique | O-Ring..... | Junta torica..... | O-ring..... | | |
| 6 | VOE 11410190 | 1 | | | | Drain Tube | Tuyau Vidange..... | Abflussrohr | Tubo Drenaje | Avtappningsrör..... | | |
| 7 | VOE 13933877 | 1 | | | | Fitting Nut..... | Ecrou Accouple..... | Überwurfmutter | Tuerca Acoplam | Kopplingsmutter..... | | |
| 8 | VOE 943475 | 2 | | | | Hose Clamp | Collier Serrage | Schlauchschelle | Abraz Manguera..... | Slangklamma..... | | |
| 9 | VOE 11173508 | 1 | | | | Drain Tube | Tuyau Vidange..... | Abflussrohr | Tubo Drenaje | Avtappningsrör..... | | |
| 10 | VOE 949329 | 1 | | | | Gasket..... | Joint | Dichtung | Junta | Packning..... | | |
| 11 | VOE 11054692 | 1 | | | | Valve..... | Soupape..... | Ventil | Valvula | Ventil..... | | |
| 12 | VOE 11130269 | 1 | | | | Clamp..... | Pince Serrage | Klemme | Abrazadera..... | Klämna..... | | |
| 13 | VOE 948645 | 2 | | | | Flange Lock Nut..... | Contre écrou bride | Flanschmutter | Contratuer Embr..... | Flänslåsmutter..... | | |
| 14 | VOE 11154125 | 1 | | | | Hose..... | Durit | Schlauch | Tubo flexible..... | Slang..... | | |
| 15 | VOE 11054659 | 1 | | | | Connector | Raccord..... | Anschluss..... | Union | Anslutning..... | | |
| 16 | VOE 943473 | 1 | | | | Hose Clamp | Collier Serrage | Schlauchschelle | Abraz Manguera..... | Slangklamma..... | | |

| | | | | |
|---|--|-------------------------------------|----------------|---------|
| 1 | | Dräneringsledning, oljesump | Catalogue id | Group |
| 2 | | Tubo de drenaje, cárter de aceite | 20007 | 217 |
| 3 | | Dränageleitung, Ölwanne | Illustr. No | Section |
| 4 | | Conduit de drainage, carter d'huile | 1009115 | 150 |
| 5 | | Drain line, oil sump | Issue | Page |
| | | STD, OPEN ROPS | VOE 63D9920007 | 67 |

VOLVO

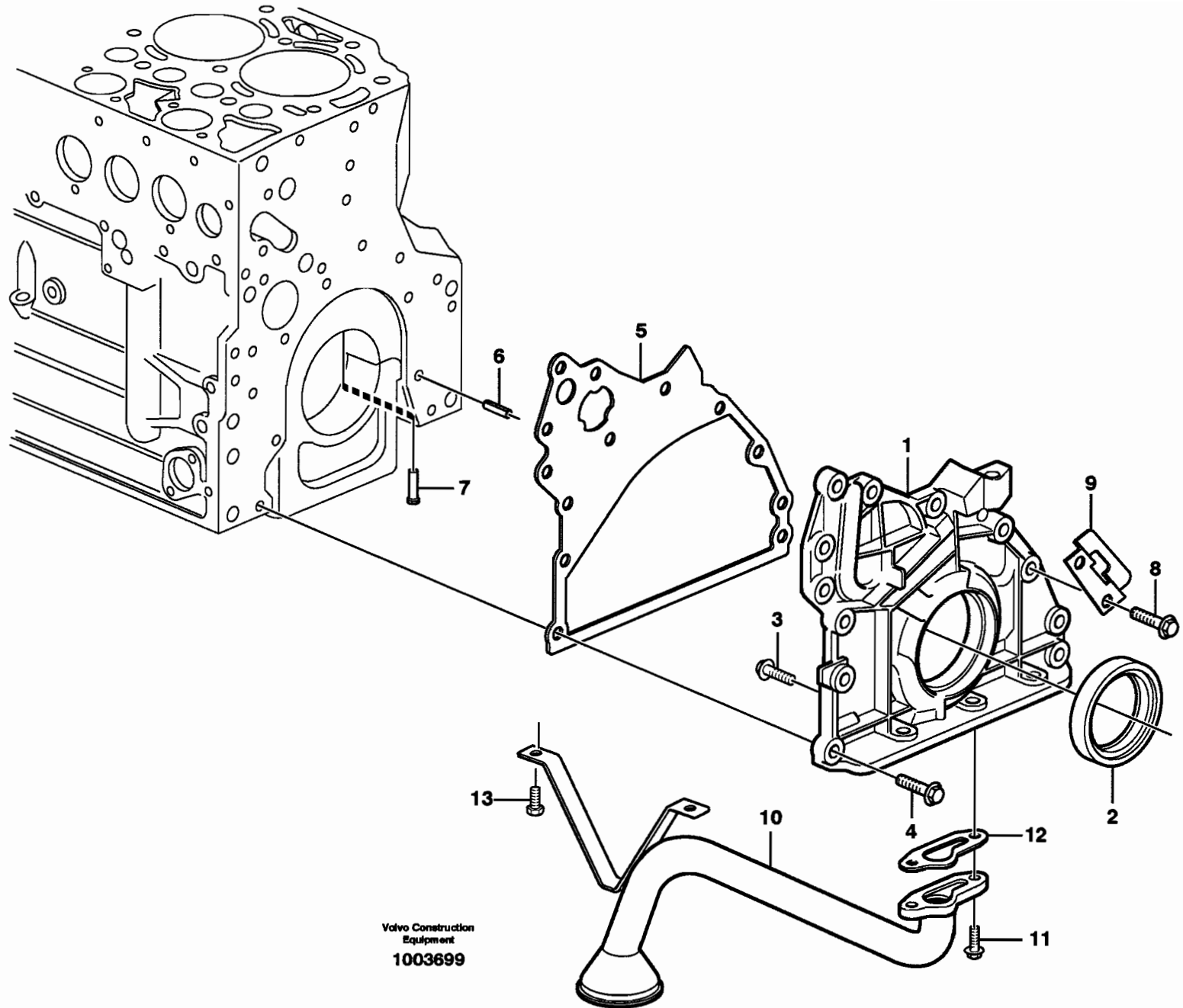
L90E

| Fig. | Part No. | Quantity | | | P S | K I T | Description | Dénomination | Bezeichnung | Denominación | Benämning | Notes |
|------|--------------|----------|---|---|--------|----------------------|------------------------|-----------------------|-------------------------|--------------------|------------------------|-------|
| | | 1 | 2 | 3 | | | | | | | | |
| 1 | | 1 | | | | Engine..... | Moteur..... | Motor..... | Motor..... | Motor..... | See group 210, Page 47 | |
| 2 | VOE 11172117 | 1 | | | | Engine Mounting..... | Silentbl.moteur..... | Motorbefestg..... | Fijacion Motor..... | Motorfäste..... | | |
| 3 | VOE 963320 | 4 | | | | Hexagon screw..... | Vis tête hexagonale .. | Sechskantschraube.... | Tornillo hexago..... | Sexkantsskruv..... | | |
| 4 | VOE 20503551 | 1 | | | | Rubber cushion..... | Coussin caoutc. | Gummikissen | Cojin goma | Gummikudde..... | | |
| 5 | VOE 13966362 | 2 | | | | Flange screw..... | Vis à bride | Flanschschraube..... | Torn embridado..... | Flänsskruv..... | | |
| 6 | VOE 930844 | 2 | | | | Washer..... | Rondelle..... | Scheibe | Arandela | Bricka..... | | |
| 7 | VOE 11025923 | 4 | | | | Spacer..... | Entretoise..... | Abstandstueck..... | Casquillo distanciad .. | Distans..... | | |
| 8 | VOE 13965193 | 4 | | | | Screw..... | Vis | Schraube..... | Tornillo | Skruv..... | | |

| | | | | |
|---|--|---|----------------|------------|
| 1 | | Motorupphängning Suspensión del motor Motorbefestigung Suspension du moteur Engine mounting STD, OPEN ROPS | Catalogue id | Group |
| 2 | | | 20007 | 218 |
| 3 | | | Illustr. No | Section |
| 4 | | | 1001047 | 100 |
| 5 | | | Issue | Page |
| | | | VOE 63D9920007 | 69 |

VOLVO

L90E



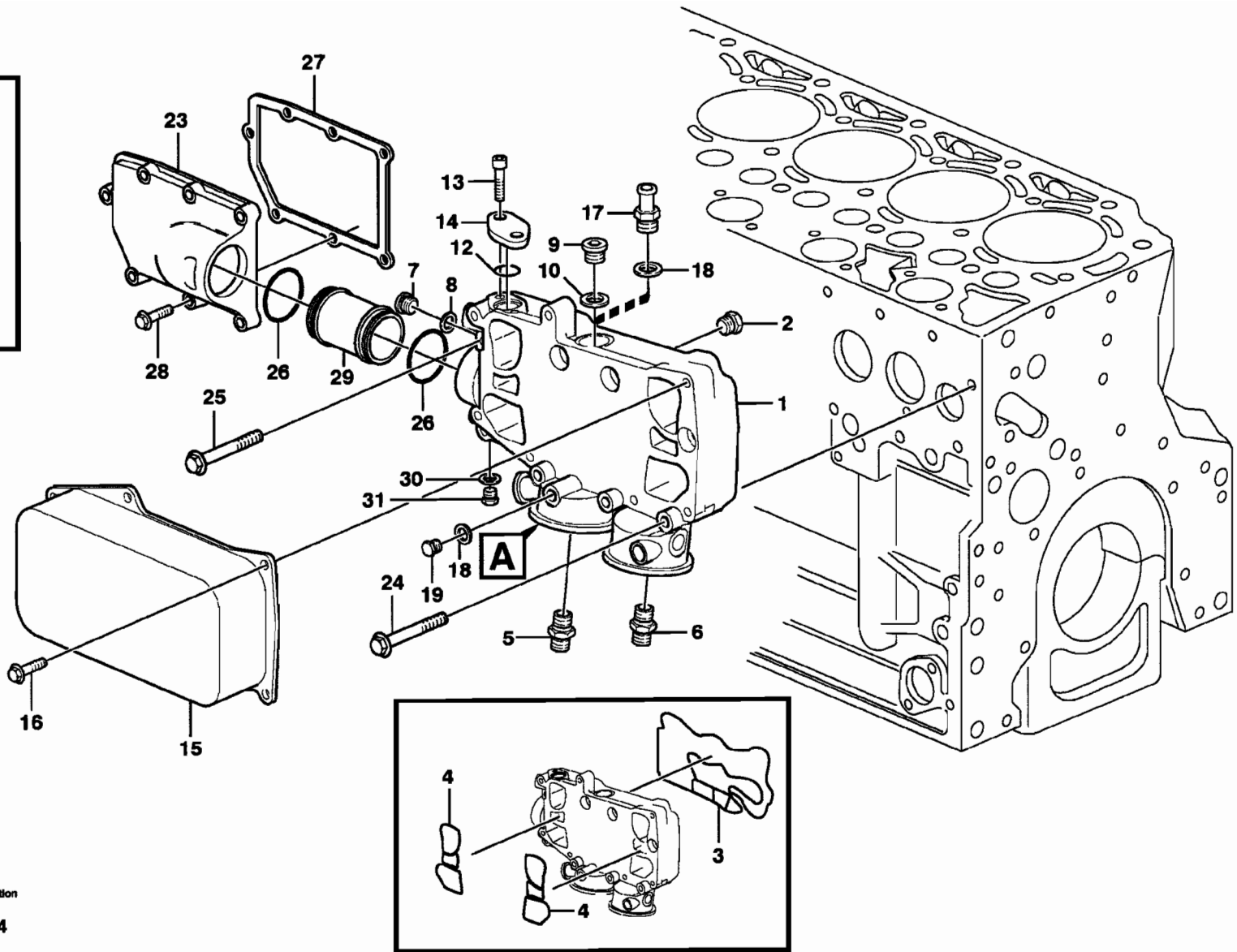
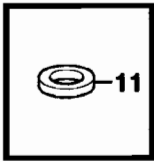
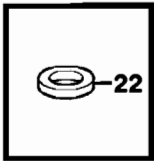
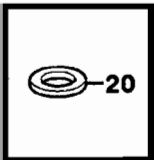
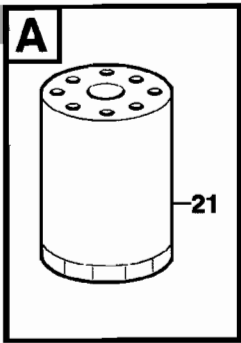
Volvo Construction
Equipment
1003699

| Fig. | Part No. | Quantity | | | P S | K I T | Description | Dénomination | Bezeichnung | Denominación | Benämning | Notes |
|------|--------------|----------|---|---|--------|-------------|------------------------|----------------------|----------------------|-----------------------|----------------------|-----------------|
| | | 1 | 2 | 3 | | | | | | | | |
| 1 | VOE 20502113 | 1 | | | | SS | Oil Pump | Pompe a huile | Ölpumpe..... | Bomba de aceite | Oljepump..... | SER NO - 876577 |
| | VOE 20574451 | 1 | | | | | Oil Pump | Pompe a huile | Ölpumpe..... | Bomba de aceite | Oljepump..... | SER NO - 876578 |
| 2 | VOE 20459168 | 1 | | | | | •Crankshaft Seal | •Joint Vilebreq..... | •Kurbelw Dichtg..... | •Reten Ciguenal | •Vevaxeltätning..... | |
| 3 | VOE 20451738 | 8 | | | | | •Screw..... | •Vis..... | •Schraube..... | •Tornillo | •Skruv..... | |
| 4 | VOE 20412324 | 10 | | | | | Screw..... | Vis..... | Schraube..... | Tornillo | Skruv..... | |
| 5 | VOE 20537029 | 1 | | | | | Gasket..... | Joint | Dichtung..... | Junta | Packning..... | (VOE 20459161) |
| 6 | VOE 20405603 | 1 | | | | | Spring Pin | Axe de ressort..... | Federstift..... | Pasador Resorte | Fjäderpinne..... | |
| 7 | VOE 20405561 | 1 | | | | | Pstn Cool Jet..... | Buse Refr.pist. | Kolbenkühlöse..... | Boq.enfr Piston..... | Kolvkyln.munst..... | |
| 8 | VOE 20405672 | 2 | | | | | Screw..... | Vis..... | Schraube..... | Tornillo | Skruv..... | |
| 9 | VOE 20557401 | 1 | | | | | Bracket..... | Console..... | Konsole | Ménsula..... | Konsol..... | |
| 10 | VOE 20496392 | 1 | | | | | Oil Pipe | Conduit Huile | Ölrohr | Tubo Aceite | Oljerör..... | |
| 11 | VOE 20405709 | 2 | | | | | Screw..... | Vis..... | Schraube..... | Tornillo | Skruv..... | |
| 12 | VOE 11700391 | 1 | | | | | Gasket..... | Joint | Dichtung..... | Junta | Packning..... | |
| 13 | VOE 13949578 | 2 | | | | | Screw..... | Vis..... | Schraube..... | Tornillo | Skruv..... | |

| | | | |
|---|--|-----------------------|------------|
| 1 | Smörjssystem Sistema de lubricación Schmierölsystem Systeme de graissage Lubricating oil system | Catalogue id | Group |
| 2 | | 20007 | 221 |
| 3 | | Illustr. No | Section |
| 4 | | 1003699 | 100 |
| 5 | | Issue | Page |
| | | VOE 63D9920007 | 71 |

VOLVO

L90E



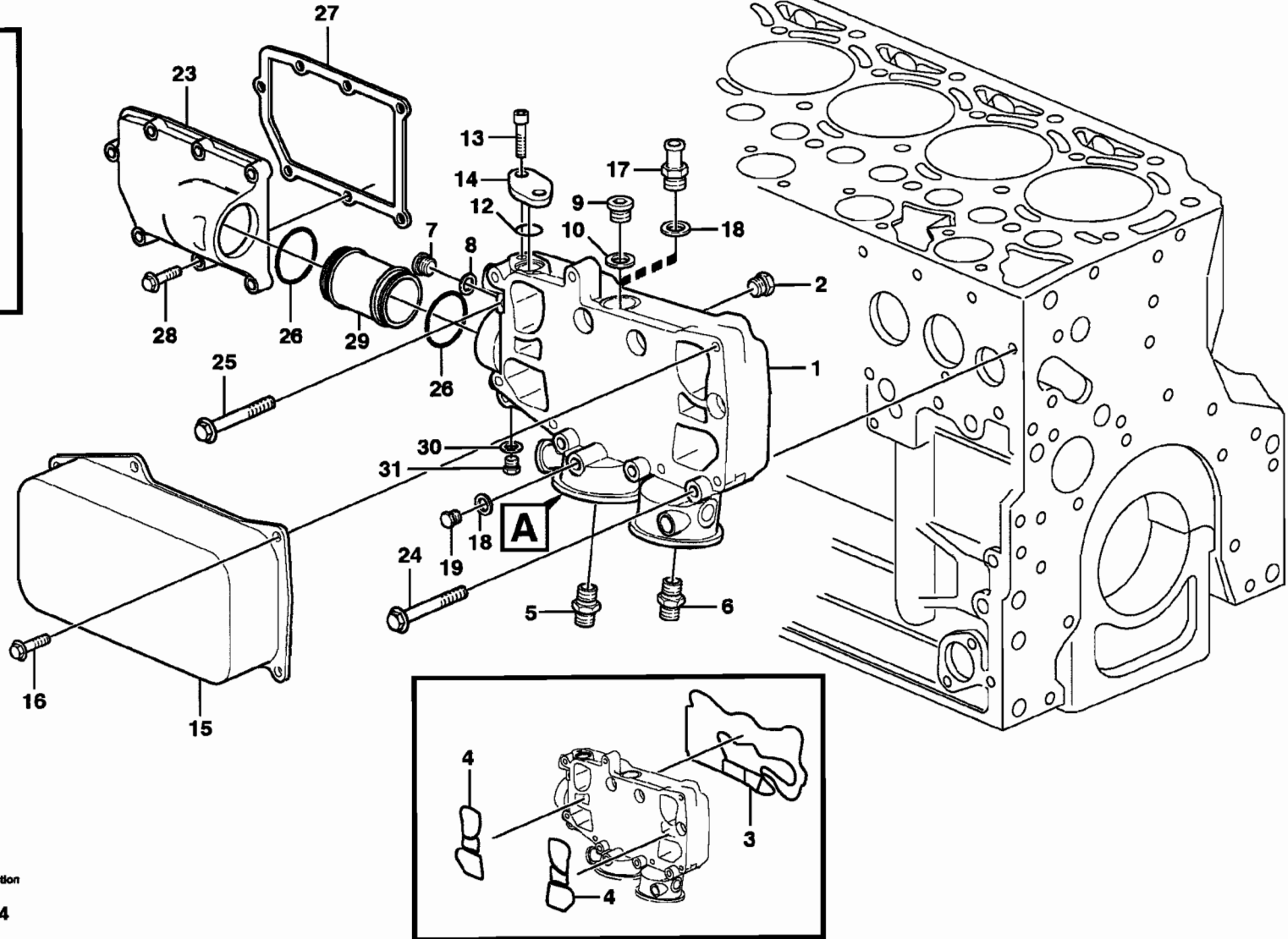
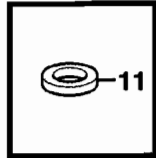
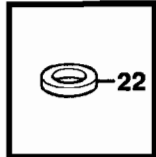
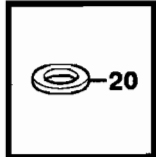
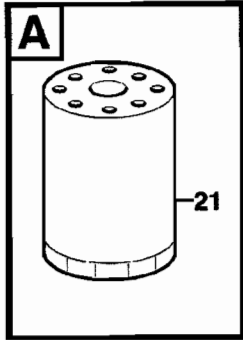
Volvo Construction
Equipment
1003714

| Fig. | Part No. | Quantity | | | P S | K I T | Description | Dénomination | Bezeichnung | Denominación | Benämning | Notes |
|------|--------------|----------|---|---|--------|--------------------|--------------------------|---------------------|-------------------------|--------------------|----------------|-------|
| | | 1 | 2 | 3 | | | | | | | | |
| 1 | VOE 20509445 | 1 | | | | Box..... | Boitier..... | Dose..... | Caja..... | Dosa..... | | |
| 2 | VOE 20459204 | 1 | | | | •Valve..... | •Soupape..... | •Ventil..... | •Valvula..... | •Ventil..... | | |
| 3 | VOE 20459203 | 1 | | | | •Gasket..... | •Joint..... | •Dichtung..... | •Junta..... | •Packning..... | | |
| 4 | VOE 20459202 | 2 | | | | •Gasket..... | •Joint..... | •Dichtung..... | •Junta..... | •Packning..... | | |
| 5 | VOE 20459201 | 1 | | | | •Nipple..... | •Raccord..... | •Nippel..... | •Niple..... | •Nippel..... | | |
| 6 | VOE 20459200 | 1 | | | | •Nipple..... | •Raccord..... | •Nippel..... | •Niple..... | •Nippel..... | | |
| 7 | VOE 20459196 | 1 | | | | •Plug..... | •Bouchon..... | •Stopfen..... | •Tapon..... | •Plugg..... | (VOE 20502245) | |
| 8 | VOE 13947622 | 1 | | | | •Plane Gasket..... | •Joint Plan..... | •Flachdichtung..... | •Junta Plana..... | •Planpackning..... | | |
| 9 | VOE 20459195 | 1 | | | | •Plug..... | •Bouchon..... | •Stopfen..... | •Tapon..... | •Plugg..... | | |
| 10 | VOE 13947628 | 1 | | | | •Plane Gasket..... | •Joint Plan..... | •Flachdichtung..... | •Junta Plana..... | •Planpackning..... | (VOE 20450898) | |
| 11 | VOE 13947628 | 1 | | | | •Plane Gasket..... | •Joint Plan..... | •Flachdichtung..... | •Junta Plana..... | •Planpackning..... | | |
| 12 | VOE 20405599 | 1 | | | | •Sealing ring..... | •Bague d'étanchéité..... | •Runddichtring..... | •Anillo reten..... | •Tätningring..... | | |
| 13 | VOE 20459197 | 2 | | | | •Screw..... | •Vis..... | •Schraube..... | •Tornillo..... | •Skruv..... | | |
| 14 | VOE 11700609 | 1 | | | | •Cap..... | •Chapeau..... | •Kappe..... | •Caperuza..... | •Lock..... | | |
| 15 | VOE 20511773 | 1 | | | | Oil Cooler..... | Refroidisseur huile..... | Ölkühler..... | Enfriadores aceite..... | Oljekylare..... | | |
| 16 | VOE 20405885 | 7 | | | | Screw..... | Vis..... | Schraube..... | Tornillo..... | Skruv..... | | |
| 17 | VOE 20496519 | 1 | | | | Nipple..... | Raccord..... | Nippel..... | Niple..... | Nippel..... | | |
| 18 | VOE 13947628 | 1 | | | | Plane Gasket..... | Joint Plan..... | Flachdichtung..... | Junta Plana..... | Planpackning..... | | |
| 19 | VOE 960628 | 1 | | | | Plug..... | Bouchon..... | Stopfen..... | Tapon..... | Plugg..... | | |
| 20 | VOE 13947281 | 1 | | | | Gasket..... | Joint..... | Dichtung..... | Junta..... | Packning..... | | |
| 21 | VOE 3831236 | 1 | | | | Oil filter..... | Filtre à huile..... | Ölfilter..... | Filtro de aceite..... | Oljefilter..... | | |
| 22 | VOE 13947621 | 1 | | | | Plane Gasket..... | Joint Plan..... | Flachdichtung..... | Junta Plana..... | Planpackning..... | | |
| 23 | VOE 20459194 | 1 | | | | Tank..... | Reservoir..... | Behälter..... | Depósito..... | Tank..... | | |
| 24 | VOE 20405917 | 3 | | | | Screw..... | Vis..... | Schraube..... | Tornillo..... | Skruv..... | | |
| 25 | VOE 20405672 | 5 | | | | Screw..... | Vis..... | Schraube..... | Tornillo..... | Skruv..... | | |
| 26 | VOE 20459193 | 2 | | | | Sealing ring..... | Bague d'étanchéité..... | Runddichtring..... | Anillo reten..... | Tätningring..... | | |
| 27 | VOE 20459192 | 1 | | | | Gasket..... | Joint..... | Dichtung..... | Junta..... | Packning..... | | |
| 28 | VOE 20412324 | 7 | | | | Screw..... | Vis..... | Schraube..... | Tornillo..... | Skruv..... | | |
| 29 | VOE 20459191 | 1 | | | | Plug..... | Bouchon..... | Stopfen..... | Tapon..... | Plugg..... | | |
| 30 | VOE 20450890 | 1 | | | | Sealing ring..... | Bague d'étanchéité..... | Runddichtring..... | Anillo reten..... | Tätningring..... | | |

| | | | | |
|---|--|--|-----------------------|------------|
| 1 | | Oljekylare Enfriador de aceite Ölkühler Radiateur d 'huile Oil cooler | Catalogue id | Group |
| 2 | | | 20007 | 223 |
| 3 | | | Illustr. No | Section |
| 4 | | | 1003714 | 100 |
| 5 | | | Issue | Page |
| | | | VOE 63D9920007 | 73 |

VOLVO

L90E



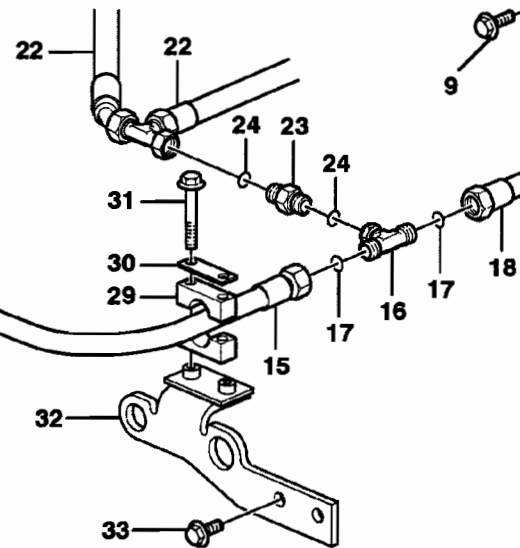
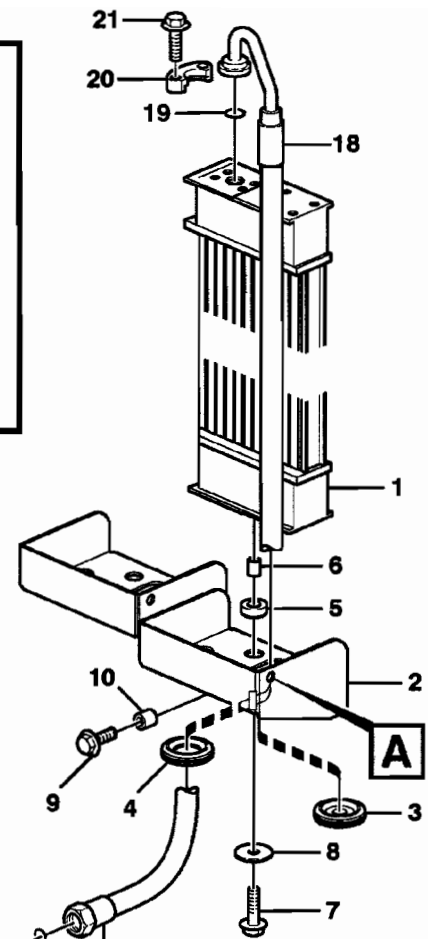
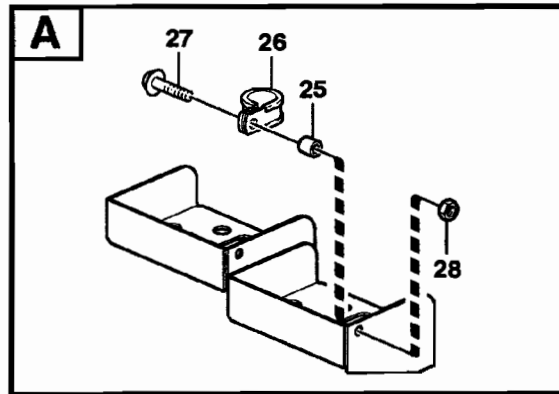
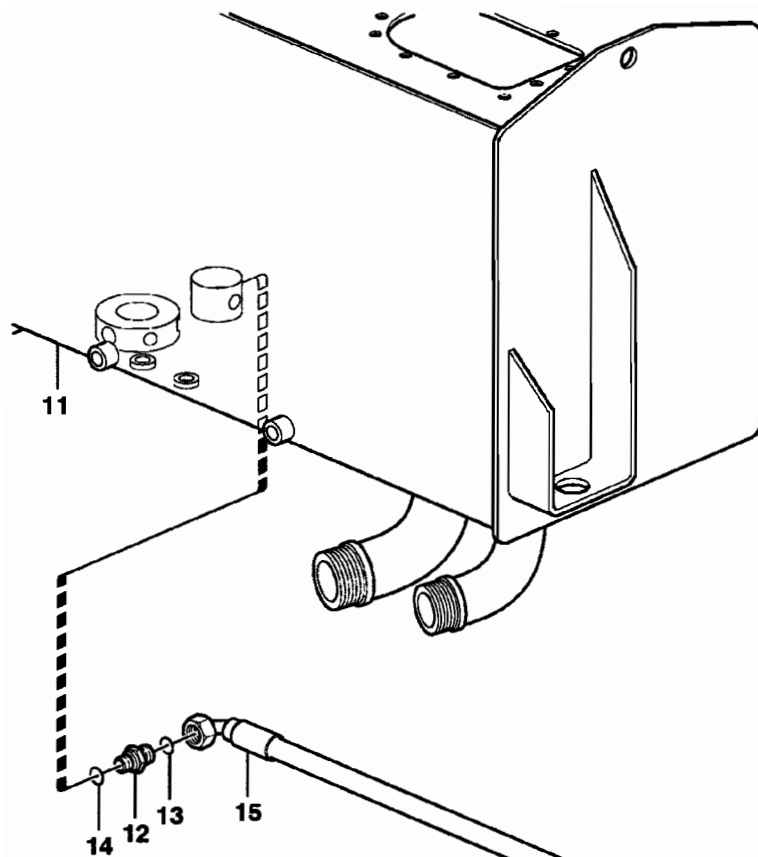
Volvo Construction
Equipment
1003714

| Fig. | Part No. | Quantity | | | P S | K I T | Description | Dénomination | Bezeichnung | Denominación | Benämning | Notes |
|------|--------------|----------|---|---|--------|-------------|-------------|--------------|--------------|--------------|------------|-------|
| | | 1 | 2 | 3 | | | | | | | | |
| 31 | VOE 20496548 | 1 | | | | | Plug..... | Tampon..... | Stopfen..... | Tapon..... | Plugg..... | |

| | | | | |
|---|--|---|----------------|---------|
| 1 | | Oljekylare Enfriador de aceite Ölkühler Radiateur d 'huile Oil cooler | Catalogue id | Group |
| 2 | | | 20007 | 223 |
| 3 | | | Illustr. No | Section |
| 4 | | | 1003714 | 100 |
| 5 | | | Issue | Page |
| | | | VOE 63D9920007 | 75 |

VOLVO

L90E



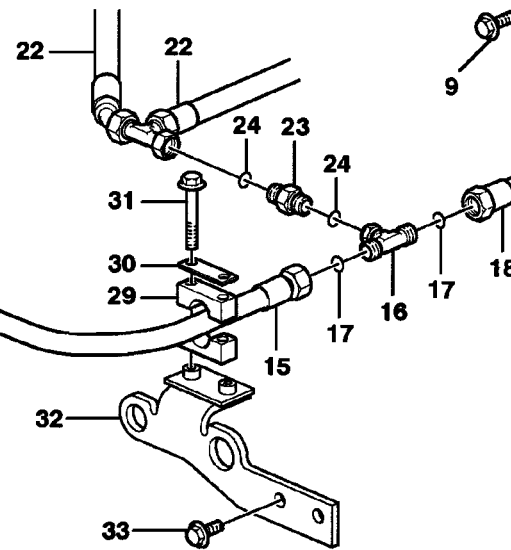
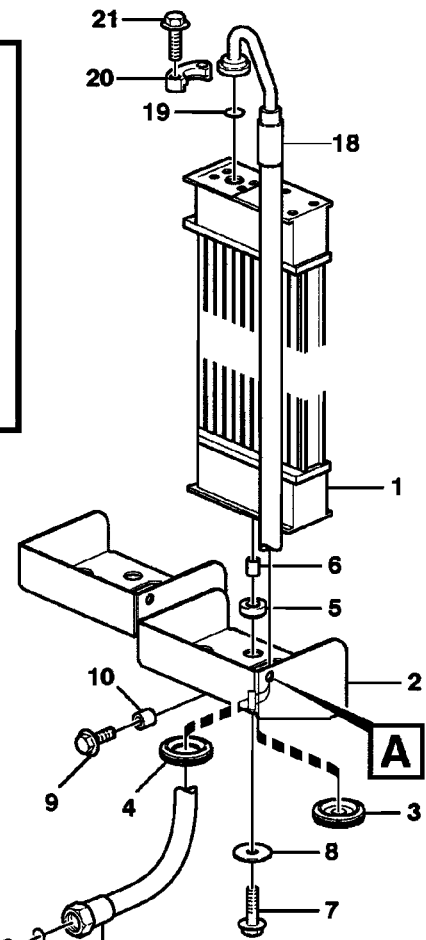
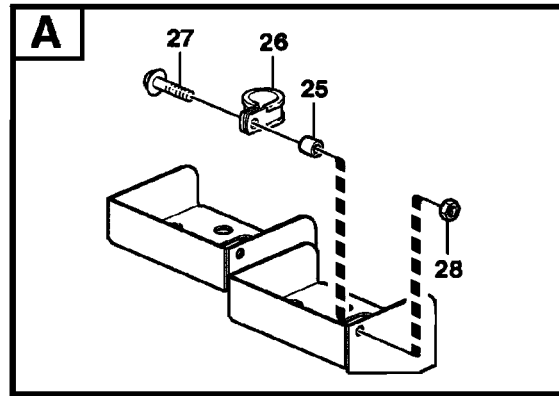
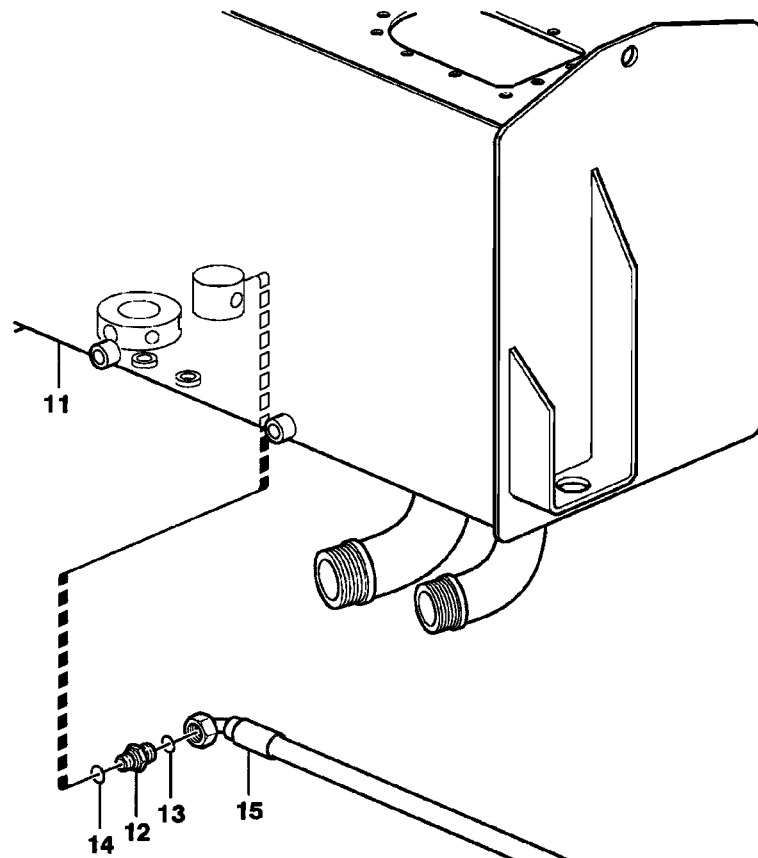
Volvo Construction
Equipment
1004004

| Fig. | Part No. | Quantity | | | P S | K I T | Description | Dénomination | Bezeichnung | Denominación | Benämning | Notes |
|------|--------------|----------|---|---|--------|-----------------------|----------------------------|------------------------|----------------------------|-----------------------|-------------------------|-------|
| | | 1 | 2 | 3 | | | | | | | | |
| 1 | VOE 11110371 | 1 | | | | Oil Cooler | Refroidisseur huile | Ölkühler | Enfriadores aceite | Oljekylare | | |
| | VOE 11110389 | 1 | | | | Oil Cooler | Refroidisseur huile | Ölkühler | Enfriadores aceite | Oljekylare | 80801 SER NO 20307 - | |
| 2 | | 1 | | | NS | Shelf | Planche | Ablage | Estante | Hylla | | |
| 3 | VOE 943920 | 1 | | | | Plug | Bouchon | Stopfen | Tapon | Plugg | | |
| 4 | VOE 13961962 | 2 | | | | Ptct Bushing | Bague Protection | Schutzhülse | Buje Proteccion | Skyddsbusning | | |
| 5 | VOE 11024753 | 8 | | | | Rubber Damper | Amortis.caoutc. | Gummidämpfer | Amortig Goma | Gummidämpare | | |
| 6 | VOE 4951048 | 4 | | | | Pipe | Canalisation | Rohrleitung | Canalizacion | Rör | | |
| 7 | VOE 946671 | 4 | | | | Flange screw | Vis à bride | Flanschschraube | Torn embridado | Flänsskruv | | |
| 8 | VOE 925739 | 4 | | | | Washer | Rondelle | Scheibe | Arandela | Bricka | | |
| 9 | VOE 13945444 | 2 | | | | Flange screw | Vis à bride | Flanschschraube | Torn embridado | Flänsskruv | | |
| 10 | VOE 13948871 | 2 | | | | Spacer Washer | Rond.entretoise | Abstandscheibe | Arandela Dist | Distansbricka | | |
| 11 | | 1 | | | | Hydr fluid tank | Reservoir fluid.hydr. | Druckölbehälter | Dep Aceit Hidr | Hydrauloljetank | | |
| 12 | VOE 13933853 | 1 | | | | Nipple | Raccord | Nippel | Niple | Nippel | | |
| 13 | VOE 4880493 | 1 | | | | •O-ring | •Joint Torique | •O-Ring | •Junta torica | •O-ring | | |
| 14 | VOE 14211863 | 1 | | | | •Sealing ring | •Bague d'étanchéité | •Runddichtring | •Anillo reten | •Tättningsring | | |
| 15 | VOE 11173309 | 1 | | | | Hose assembly | Conduit flexible | Schlauchleitung | Conducto | Slangledning | | |
| 16 | VOE 13933935 | 1 | | | | T-nipple | Raccord-t | T-Nippel | Niple T | T-nippel | | |
| 17 | VOE 4880493 | 2 | | | | •O-ring | •Joint Torique | •O-Ring | •Junta torica | •O-ring | | |
| 18 | VOE 11173313 | 1 | | | | Hose assembly | Conduit flexible | Schlauchleitung | Conducto | Slangledning | | |
| 19 | VOE 948698 | 1 | | | | O-ring | Joint Torique | O-Ring | Junta torica | O-ring | | |
| 20 | VOE 11015453 | 2 | | | | Flange Half | Demi-bride | Flanschhälfte | Media brida | Flänshalva | | |
| 21 | VOE 13945444 | 4 | | | | Flange screw | Vis à bride | Flanschschraube | Torn embridado | Flänsskruv | | |
| 22 | | 1 | | | | Hose assembly | Conduit flexible | Schlauchleitung | Conducto | Slangledning | See group 263, Page 123 | |
| 23 | VOE 11172946 | 1 | | | | Check valve | Valve antiretour | Rückschlagventil | Válvula de retención | Backventil | | |
| 24 | VOE 982962 | 2 | | | | •O-ring | •Joint Torique | •O-Ring | •Junta torica | •O-ring | | |
| 25 | VOE 4973473 | 1 | | | | Spacer Sleeve | Doui.entretoise | Distanzhülse | Manguito Dist | Distanshylsa | | |
| 26 | VOE 13977599 | 1 | | | | Clamp | Pince Serrage | Klemme | Abrazadera | Klämma | | |
| 27 | VOE 946671 | 1 | | | | Flange screw | Vis à bride | Flanschschraube | Torn embridado | Flänsskruv | | |
| 28 | VOE 13945408 | 1 | | | | Nut | Ecrou | Mutter | Tuerca | Mutter | | |
| 29 | VOE 4785462 | 1 | | | | Clamp | Pince Serrage | Klemme | Abrazadera | Klämma | | |

| | | | | |
|---|--|--|-----------------------|------------|
| 1 | | Oljekylare med slangar | Catalogue id | Group |
| 2 | | Enfriador de aceite con mangueras | 20007 | 223 |
| 3 | | Ölkühler mit Schlauch | Illustr. No | Section |
| 4 | | Radiateur avec flexible | 1004004 | 150 |
| 5 | | Oil cooler with hoses | Issue | Page |
| | | STD, OPEN ROPS | VOE 63D9920007 | 77 |

VOLVO

L90E



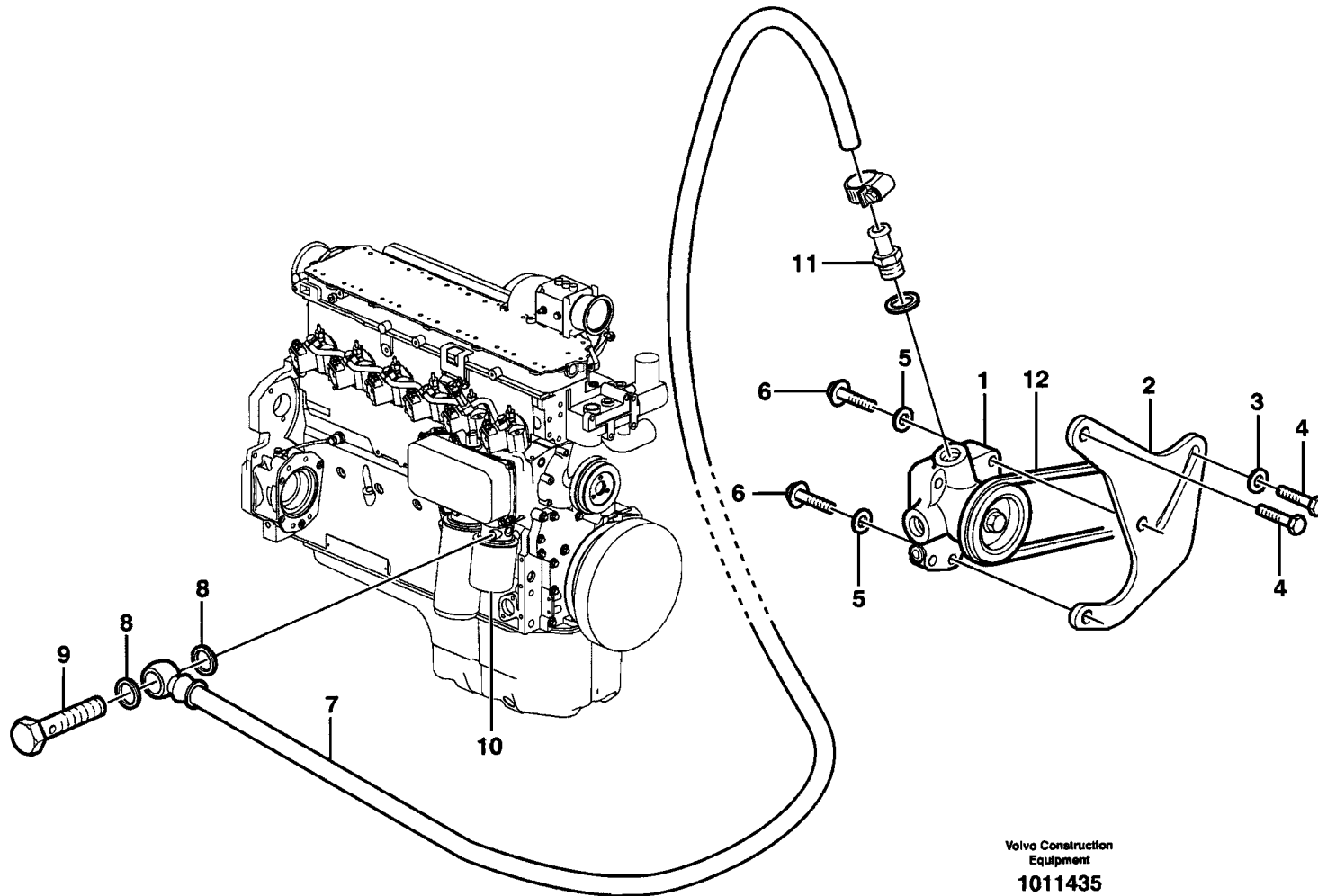
Volvo Construction
Equipment
1004004

| Fig. | Part No. | Quantity | | | P S | K I T | Description | Dénomination | Bezeichnung | Denominación | Benämning | Notes |
|------|--------------|----------|---|---|--------|-------------|-------------------|--------------------------|----------------------|---------------------|-----------------|-------|
| | | 1 | 2 | 3 | | | | | | | | |
| 30 | VOE 11003048 | 1 | | | | | Cover Plate | Protection en tole | Schutzblech..... | Placa Tapa | Täckplatta..... | |
| 31 | VOE 13965176 | 2 | | | | | Flange screw..... | Vis à bride | Flanschschraube..... | Torn embridado..... | Flänsskruv..... | |
| 32 | VOE 11173685 | 1 | | | | | Retainer | Retenue | Halter..... | Soporte..... | Hållare | |
| 33 | VOE 946440 | 2 | | | | | Flange screw..... | Vis à bride | Flanschschraube..... | Torn embridado..... | Flänsskruv..... | |

| | | | | |
|---|--|--|-----------------------|------------|
| 1 | | Oljekylare med slangar Enfriador de aceite con mangueras Ölkühler mit Schlauch Radiateur avec flexible Oil cooler with hoses STD, OPEN ROPS | Catalogue id | Group |
| 2 | | | 20007 | 223 |
| 3 | | | Illustr. No | Section |
| 4 | | | 1004004 | 150 |
| 5 | | | Issue | Page |
| | | | VOE 63D9920007 | 79 |

VOLVO

L90E



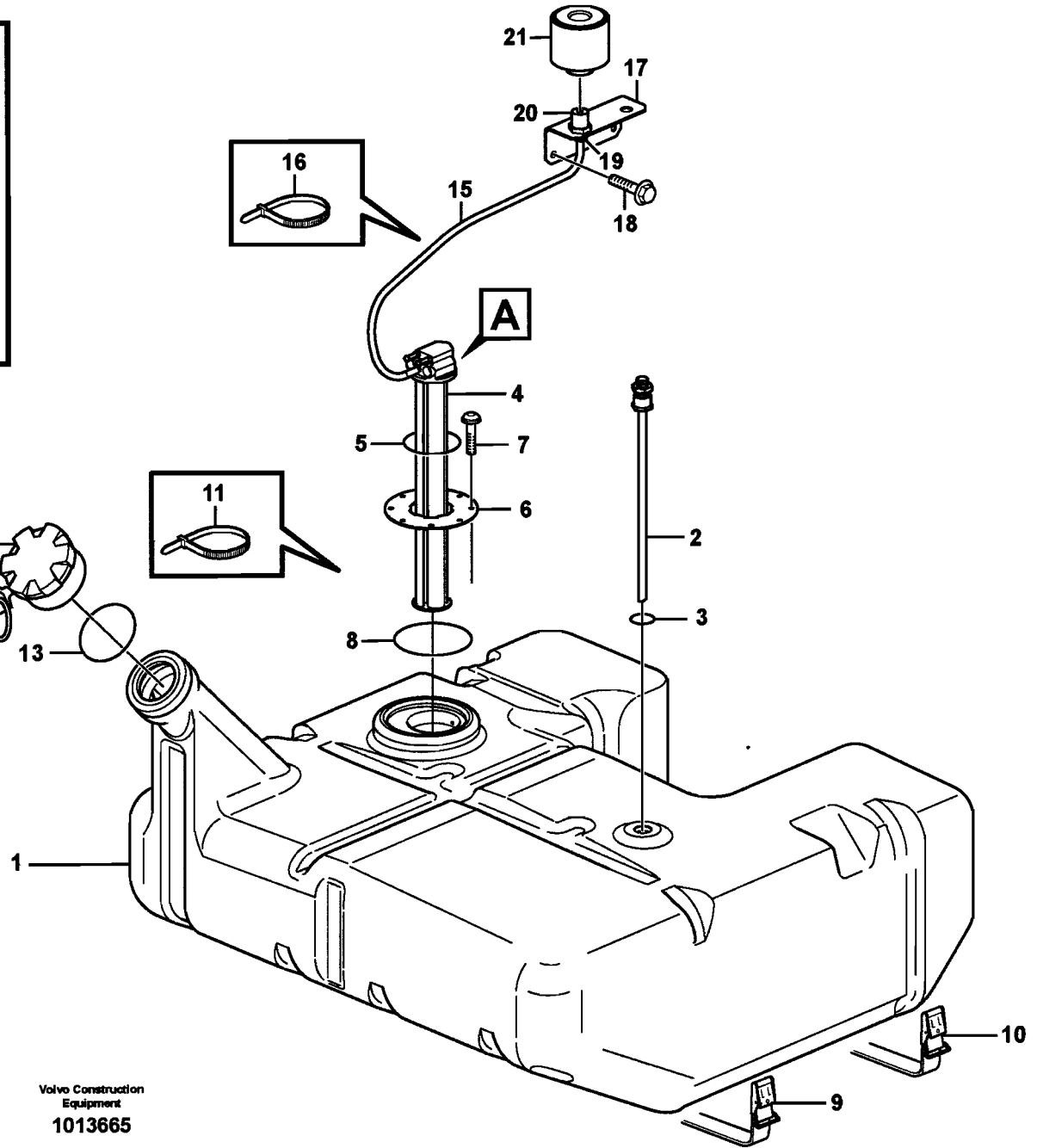
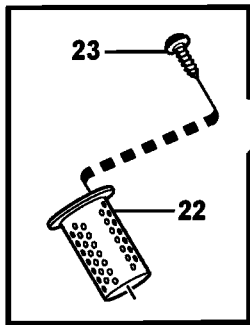
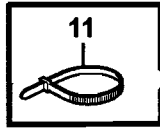
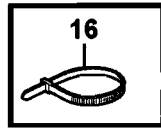
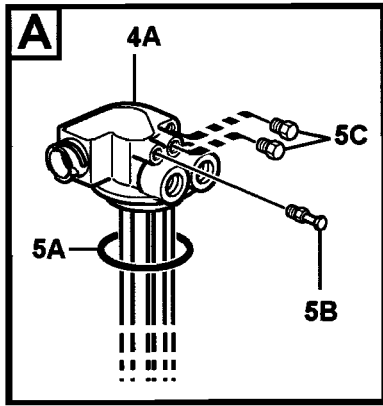
Volvo Construction
Equipment
1011435

| Fig. | Part No. | Quantity | | | P S | K I T | Description | Dénomination | Bezeichnung | Denominación | Benämning | Notes |
|------|--------------|----------|---|---|--------|--------------------|------------------------------|------------------------|------------------------------|--------------------|-----------|-------|
| | | 1 | 2 | 3 | | | | | | | | |
| 1 | VOE 20497044 | 1 | | | | Fuel pump..... | Pompe Carburant..... | Kraftstoffpumpe..... | Bomba Combustib..... | Bränslepump..... | | |
| 2 | VOE 20460032 | 1 | | | | Bracket..... | Console..... | Konsole..... | Consola..... | Konsol..... | | |
| 3 | VOE 20405734 | 1 | | | | Washer..... | Rondelle..... | Scheibe..... | Arandela..... | Bricka..... | | |
| 4 | VOE 20498595 | 2 | | | | Screw..... | Vis..... | Schraube..... | Tornillo..... | Skruv..... | | |
| 5 | VOE 20460063 | 2 | | | | Spring washer..... | Ronde.elastique..... | Federscheibe..... | Arand elastica..... | Fjäderbricka..... | | |
| 6 | VOE 11700474 | 2 | | | | Screw..... | Vis..... | Schraube..... | Tornillo..... | Skruv..... | | |
| 7 | VOE 20460044 | 1 | | | | Fuel pipe..... | Conduit carbura..... | Kraftstoffleitung..... | Tubo combustib..... | Bränslerör..... | | |
| 8 | VOE 976929 | 2 | | | | Gasket..... | Joint..... | Dichtung..... | Junta..... | Packning..... | | |
| 9 | VOE 7025167 | 1 | | | | Hollow Screw..... | Vis Creuse..... | Hohlschraube..... | Tornillo hueco..... | Hålskruv..... | | |
| 10 | VOE 11708555 | 1 | | | | Fuel filter..... | Filtre à carburant..... | Kraftstofffilter..... | Filtro de combustible..... | Bränslefilter..... | | |
| 11 | VOE 20405767 | 1 | | | | Hose nipple..... | Nipple de tuyau flexibl..... | Schlauchnippel..... | Boquilla del tubo flexi..... | Nippel..... | | |
| 12 | VOE 978710 | 1 | | | | V-belt..... | Courroie Trapez..... | Keilriemen..... | Correa Trapez..... | Kilrem..... | | |

| | | | | |
|---|--|-----------------------------|-----------------------|------------|
| 1 | | Bränslepump | Catalogue id | Group |
| 2 | | Bomba de combustible | 20007 | 233 |
| 3 | | Kraftstoffpumpe | Illustr. No | Section |
| 4 | | Pompe carburant | 1011435 | 100 |
| 5 | | Fuel pump | Issue | Page |
| | | | VOE 63D9920007 | 81 |

VOLVO

L90E



Volvo Construction
Equipment
1013665

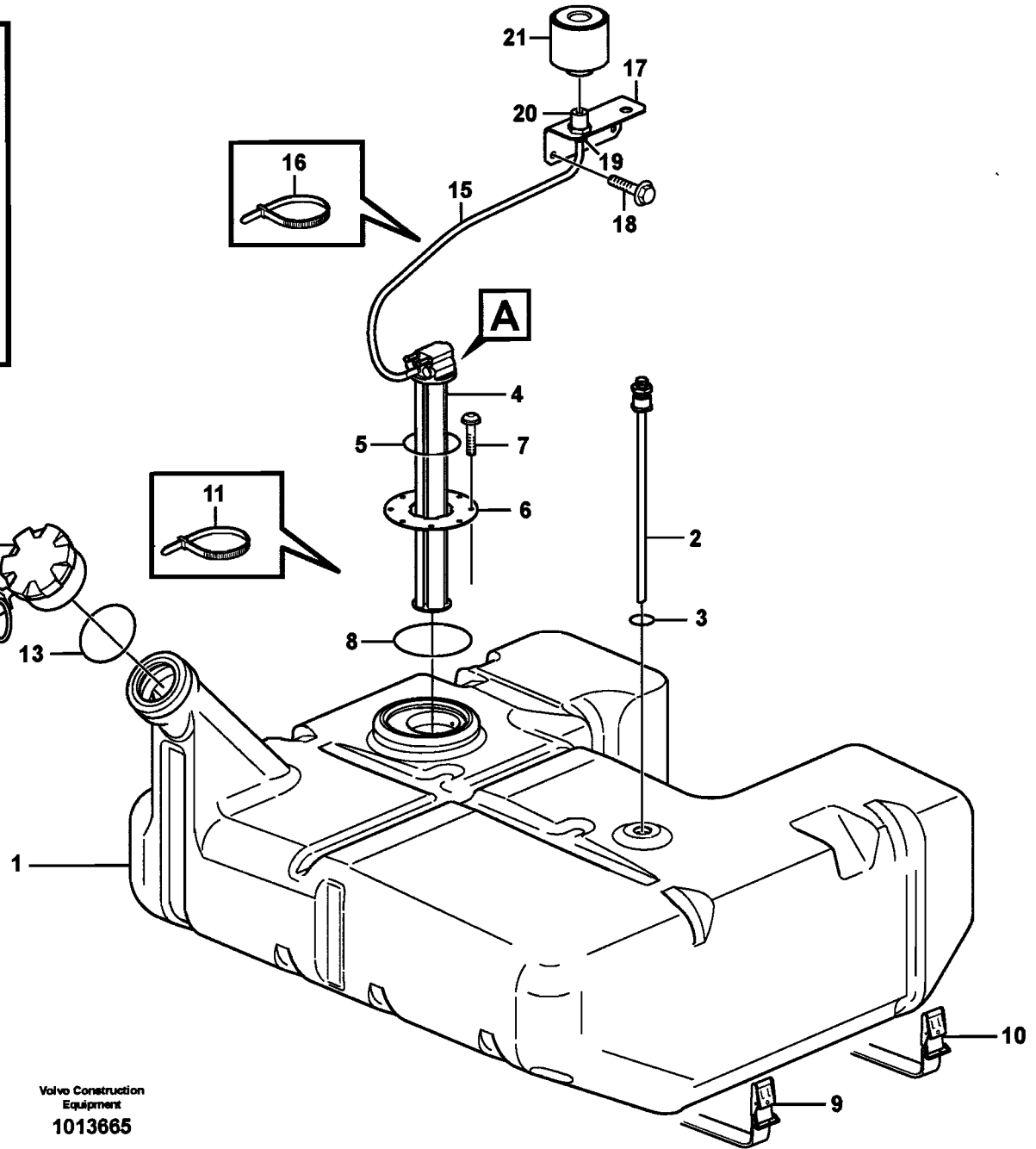
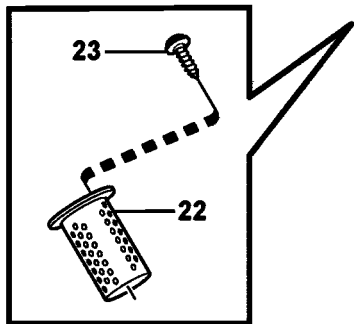
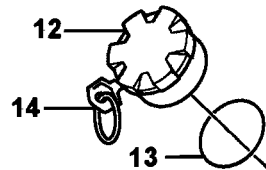
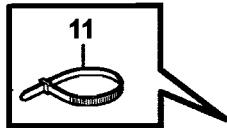
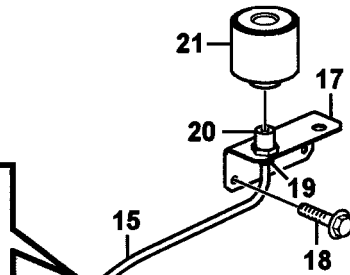
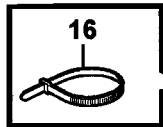
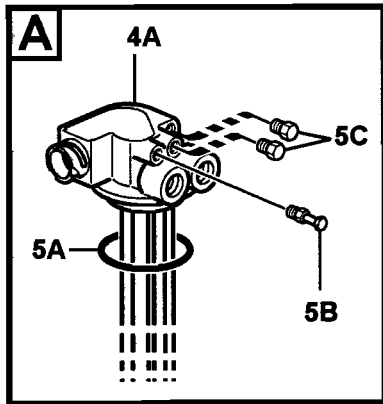
| Fig. | Part No. | Quantity | | | P S | K I T | Description | Dénomination | Bezeichnung | Denominación | Benämning | Notes |
|------|--------------|----------|-----|-----|--------|-------------|-----------------------|-------------------------|----------------------|------------------------|----------------------|--|
| | | 1 | 2 | 3 | | | | | | | | |
| 1 | VOE 11172781 | 1 | | | | SS | Fuel tank | Réservoir carburant ... | Kraftstofftank | Deposit combust | Bränsletank | SER NO - 20004 |
| | VOE 11410211 | | 1 | | | | Fuel tank | Réservoir carburant ... | Kraftstofftank | Deposit combust | Bränsletank | SER NO 20005 - 20962 SER NO 66001 - 66548 US SER NO 70801 - 70909 BR |
| | VOE 11410211 | | | 1 | | | Fuel tank | Réservoir carburant ... | Kraftstofftank | Deposit combust | Bränsletank | SER NO 20963 - SER NO 66549 - USA SER NO 70910 - BRA |
| 2 | VOE 11173226 | 1 | 1 | 1 | | | •Return Pipe..... | •Conduit Retour..... | •Rucklaufrohr..... | •Tubo Retorno | •Returrör..... | |
| 3 | VOE 925059 | 1 | 1 | 1 | | | ••O-ring | ••Joint Torique..... | ••O-Ring | ••Junta torica | ••O-ring..... | |
| 4 | VOE 11039821 | 1 | 1 | | | | •Tank Unit | •Ensem.reservoir..... | •Tankaggregat..... | •Unidad Deposito | •Tankaggregat..... | SE207 |
| 4A | VOE 11170093 | | | 1 | | | •Tank Unit | •Ensem.reservoir..... | •Tankaggregat..... | •Unidad Deposito | •Tankaggregat..... | SE207 |
| 5 | VOE 8151926 | 1 | 1 | | | | ••O-ring | ••Joint Torique..... | ••O-Ring | ••Junta torica | ••O-ring..... | |
| 5A | VOE 3987426 | | | 1 | | | •O-ring..... | •Joint Torique | •O-Ring..... | •Junta torica | •O-ring..... | |
| 5B | VOE 11712846 | | | 1 | | | •Nipple | •Raccord | •Nippel..... | •Niple | •Nippel..... | |
| 5C | VOE 11712847 | | | 2 | | | •Nipple | •Raccord | •Nippel..... | •Niple | •Nippel..... | |
| 6 | VOE 9518442 | | 1 | 1 | | | •Plate | •Plaque..... | •Platte..... | •Placa | •Platta | |
| 7 | VOE 975378 | | 8 | 8 | | | •Screw..... | •Vis..... | •Schraube..... | •Tornillo | •Skruv..... | |
| 8 | VOE 925075 | | 1 | 1 | | | •O-ring..... | •Joint Torique | •O-Ring..... | •Junta torica | •O-ring..... | |
| 9 | VOE 11172369 | 1 | 1 | 1 | | | Retaining Strap | Courroi.serrage | Halteriemen..... | Correa Tensora | Spännrem..... | L = 3500 MM |
| 10 | | 2 | 2 | 2 | SE | | Retaining Strap | Courroi.serrage | Halteriemen..... | Correa Tensora | Spännrem..... | |
| 11 | VOE 4881438 | REQ | | | | | Strip Clamp | Ruban Serrage..... | Kabelbinder..... | Abraz Cinta | Bandklamma..... | |
| 12 | VOE 1189577 | 1 | 1 | 1 | | | Filler cap | Bouchon Remplissa... | Tankverschluss | Tapa Llenado | Påfyllningslock..... | |
| 13 | VOE 1698164 | 1 | 1 | 1 | | | •Gasket | •Joint | •Dichtung | •Junta | •Packning..... | |
| 14 | VOE 11991396 | 2 | 2 | 2 | | | •Key | •Cle | •Schlüssel..... | •Llave | •Nyckel..... | 3) |
| 15 | VOE 11024720 | REQ | REQ | REQ | | | Plastic Hose | Tube Plastique | K-stoffschlauch..... | Mang Plastico..... | Plastslang..... | L = 800 MM |
| 16 | VOE 4881438 | REQ | REQ | REQ | | | Strip Clamp | Ruban Serrage..... | Kabelbinder..... | Abraz Cinta | Bandklamma..... | |
| 17 | VOE 11410340 | 1 | 1 | 1 | | | Anchorage..... | Fixation | Halterung..... | Fijacion..... | Fäste..... | |
| 18 | VOE 13946173 | | 2 | | | | Flange screw..... | Vis à bride | Flanschschraube..... | Torn embridado..... | Flänskskruv..... | |

3) **GB:** When ordering, the key No. should be stated. **FR:** Lors d'une commande, il faut indiquer le numéro de la clé. **DE:** Bei bestellung muss die Schlüsselnummer angegeben werden. **ES:** Al pedir debe indicarse el número de la llave. **SE:** Vid beställning måste nyckeln anges.

| | | | | |
|---|----------------|---|----------------|---------|
| 1 | STD | Bränsletank med monteringsdetaljer | Catalogue id | Group |
| 2 | STD, OPEN ROPS | Depósito de combustible con accesorios de montaje | 20007 | 234 |
| 3 | STD, OPEN ROPS | Kraftstofftank mit Anbauteilen | Illustr. No | Section |
| 4 | | Réservoir de carburant avec pièces de montage | 1013665 | 100 |
| 5 | | Fuel tank with fitting parts | Issue | Page |
| | | | VOE 63D9920007 | 83 |

VOLVO

L90E



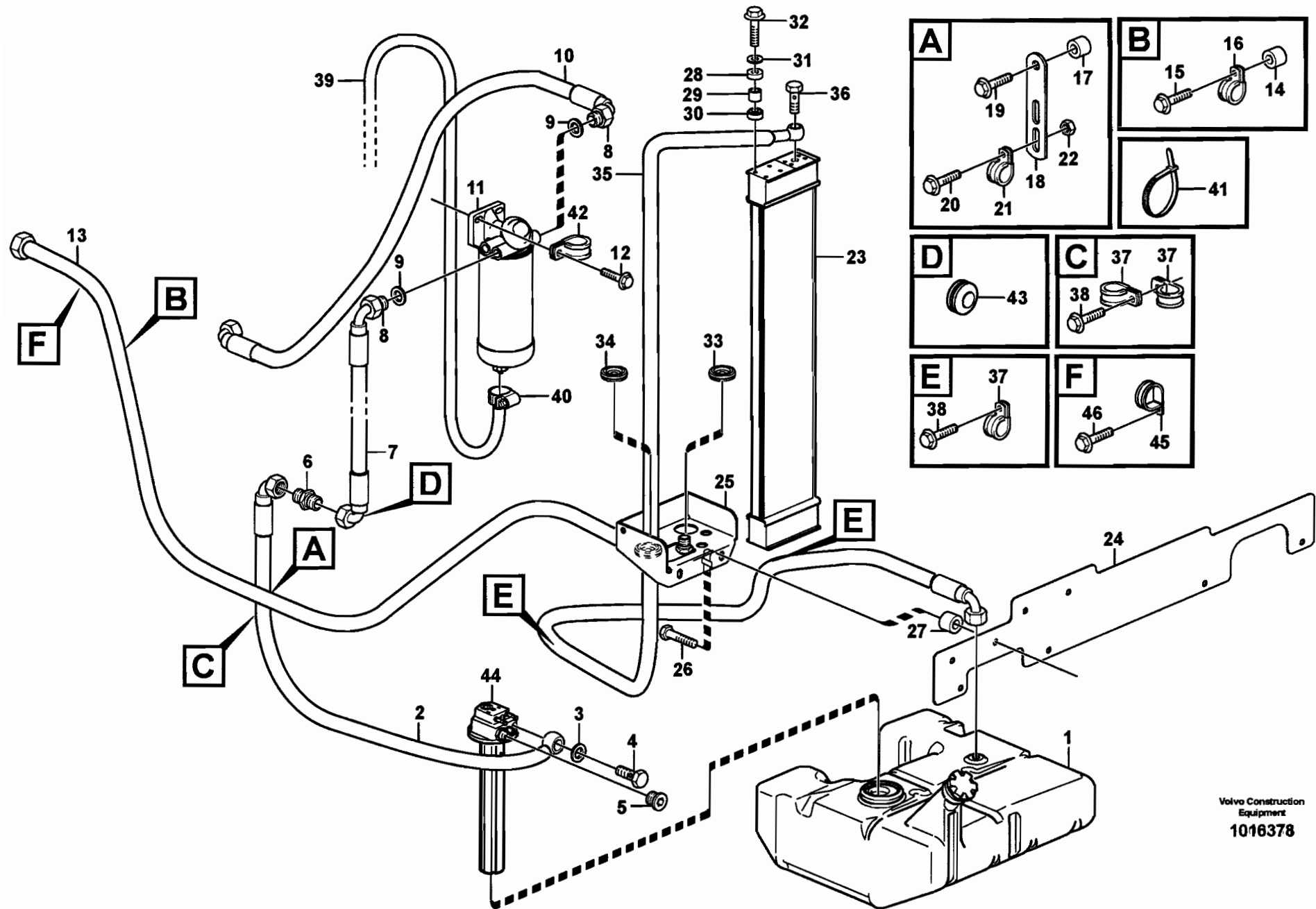
Valvo Construction
Equipment
1013665

| Fig. | Part No. | Quantity | | | P S | K I T | Description | Dénomination | Bezeichnung | Denominación | Benämning | Notes |
|------|--------------|----------|---|---|--------|-------------------|-----------------------|----------------------|----------------------|------------------|-----------|-------|
| | | 1 | 2 | 3 | | | | | | | | |
| 19 | VOE 949221 | 1 | 1 | 1 | | Hose Nipple | Raccor.flexible | Schlauchnippel | Niple Manguera | Slangnippel..... | | |
| 20 | VOE 4854955 | 1 | 1 | 1 | | Nipple..... | Raccord..... | Nippel | Niple | Nippel..... | | |
| 21 | VOE 11172907 | 1 | 1 | 1 | | Air filter..... | Filtre a air | Luftfilter | Filtro de aire | Luftfilter..... | | |
| 22 | VOE 11173801 | 1 | | | | Strainer | Crépine | Seiher | Colador..... | Sil..... | 91472 | |
| 23 | VOE 972079 | 2 | | | | Screw | Vis | Schraube..... | Tornillo | Skruv..... | 91472 | |

| | | | | |
|---|----------------|---|----------------|------------|
| 1 | STD | Bränsletank med monteringsdetaljer Depósito de combustible con accesorios de montaje Kraftstofftank mit Anbauteilen Réservoir de carburant avec pièces de montage Fuel tank with fitting parts | Catalogue id | Group |
| 2 | STD, OPEN ROPS | | 20007 | 234 |
| 3 | STD, OPEN ROPS | | Illustr. No | Section |
| 4 | | | 1013665 | 100 |
| 5 | | | Issue | Page |
| | | VOE 63D9920007 | 85 | |

VOLVO

L90E

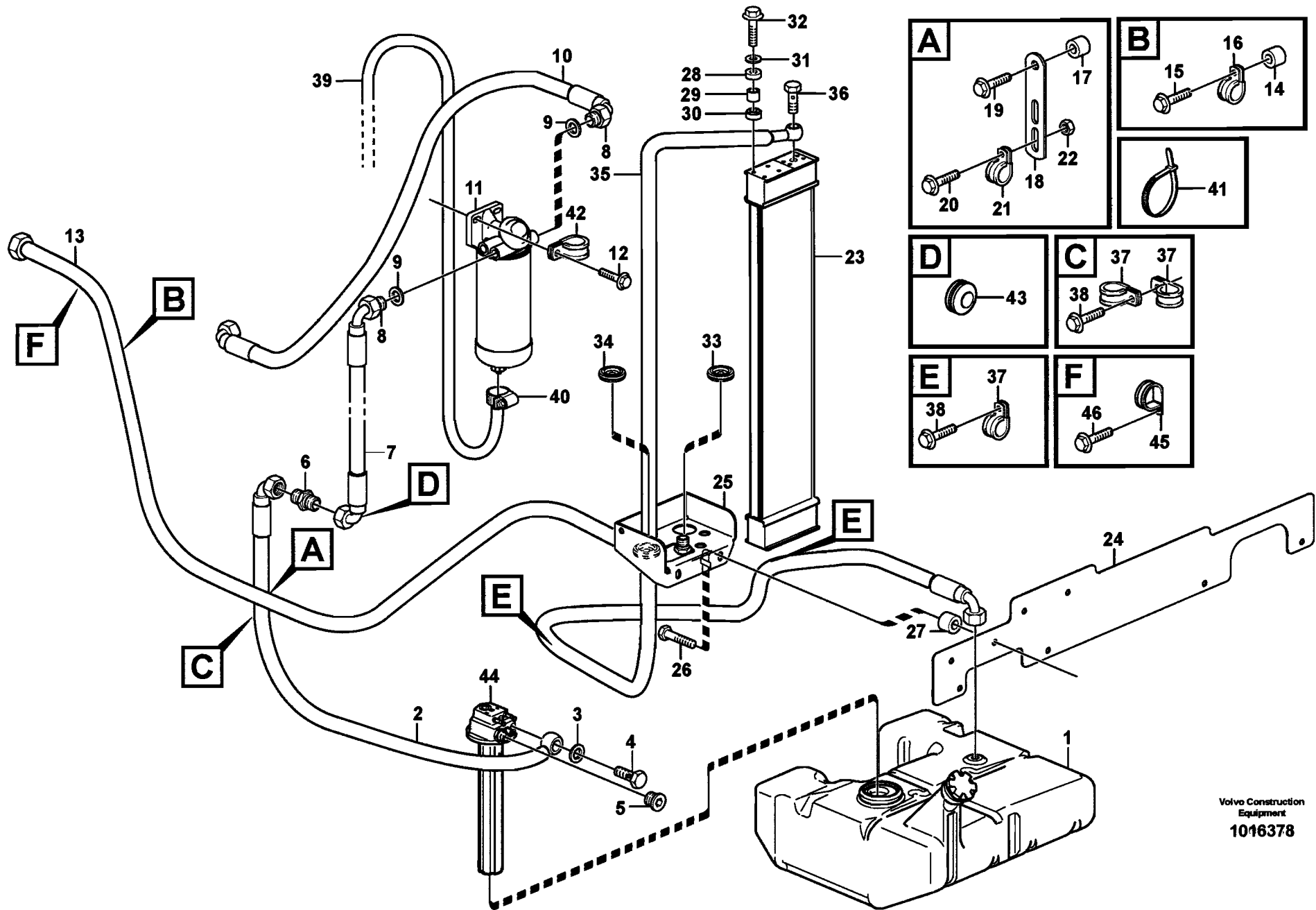


| Fig. | Part No. | Quantity | | | P S | K I T | Description | Dénomination | Bezeichnung | Denominación | Benämning | Notes |
|------|--------------|----------|---|---|--------|-----------------------|---------------------------|-------------------------|--------------------------|------------------------|------------------------|-------|
| | | 1 | 2 | 3 | | | | | | | | |
| 1 | | | | | | Fuel tank | Réservoir carburant ... | Kraftstofftank | Deposit combust | Bränsletank | See group 234, Page 83 | |
| 2 | VOE 11410157 | 1 | | | | Fuel pipe | Conduit carbura | Kraftstoffleitung | Tube combustib | Bränslerör | | |
| 3 | VOE 976929 | 3 | | | | Gasket | Joint | Dichtung | Junta | Packning | | |
| 4 | VOE 7025167 | 1 | | | | Hollow Screw | Vis Creuse | Hohlschraube | Tornillo hueco | Hålskruv | | |
| 5 | VOE 945065 | 1 | | | | Plug | Bouchon | Stopfen | Tapon | Plugg | | |
| 6 | VOE 957056 | 1 | | | | Joint Nipple | Raccord | Verbind Nippel | Niple Union | Skarvnippel | | |
| 7 | VOE 11173483 | 1 | | | | Fuel pipe | Conduit carbura | Kraftstoffleitung | Tube combustib | Bränslerör | | |
| 8 | VOE 14213266 | 4 | | | | Fitting | Ecrou raccord | Verschraubung | Racor | Förskruvning | | |
| 9 | VOE 948883 | 8 | | | | Plane Gasket | Joint Plan | Flachdichtung | Junta Plana | Planpackning | | |
| 10 | VOE 11410068 | 1 | | | | Fuel pipe | Conduit carbura | Kraftstoffleitung | Tube combustib | Bränslerör | | |
| 11 | VOE 11110471 | 1 | | | | Water Separator | Separateur Eau | Wasserabscheidr | Separador Agua | Vattenavskiljare | | |
| | VOE 11110668 | 1 | | | | •Filter | •Filtre | •Filter | •Filtro | •Filter | (VOE 11110474) | |
| 12 | VOE 946472 | 2 | | | | Flange screw | Vis à bride | Flanschschaube | Torn embridado | Flänsskruv | | |
| 13 | VOE 11173542 | 1 | | | | Fuel pipe | Conduit carbura | Kraftstoffleitung | Tube combustib | Bränslerör | L = 20 | |
| 14 | VOE 11130278 | 1 | | | | Spacer Sleeve | Douil.entretoise | Distanzhülse | Manguito Dist | Distanshylsa | | |
| 15 | VOE 946671 | 1 | | | | Flange screw | Vis à bride | Flanschschaube | Torn embridado | Flänsskruv | | |
| 16 | VOE 13949747 | 1 | | | | Clamp | Pince Serrage | Klemme | Abrazadera | Klämma | | |
| 17 | VOE 11130278 | 1 | | | | Spacer Sleeve | Douil.entretoise | Distanzhülse | Manguito Dist | Distanshylsa | | |
| 18 | VOE 13965540 | 1 | | | | Bracket | Console | Konsole | Ménsula | Konsol | | |
| 19 | VOE 946671 | 1 | | | | Flange screw | Vis à bride | Flanschschaube | Torn embridado | Flänsskruv | | |
| 20 | VOE 946440 | 1 | | | | Flange screw | Vis à bride | Flanschschaube | Torn embridado | Flänsskruv | | |
| 21 | VOE 13949747 | 1 | | | | Clamp | Pince Serrage | Klemme | Abrazadera | Klämma | | |
| 22 | VOE 13945408 | 1 | | | | Nut | Ecrou | Mutter | Tuerca | Mutter | | |
| 23 | VOE 11110371 | 1 | | | | Oil Cooler | Refroidisseur huile | Ölkühler | Enfriadores aceite | Oljekylare | | |
| 24 | | 1 | | | NS | Plate | Plaque | Platte | Placa | Platta | | |
| 25 | | 1 | | | NS | Shelf | Planche | Ablage | Estante | Hylla | | |
| 26 | VOE 13945444 | 6 | | | | Flange screw | Vis à bride | Flanschschaube | Torn embridado | Flänsskruv | | |
| 27 | VOE 13948871 | 6 | | | | Spacer Washer | Rond.entretoise | Abstandscheibe | Arandela Dist | Distansbricka | | |
| 28 | VOE 11024753 | 8 | | | | Rubber Damper | Amortis.caoutc | Gummidämpfer | Amortig Goma | Gummidämpare | | |
| 29 | VOE 4951048 | 4 | | | | Pipe | Canalisation | Rohrleitung | Canalización | Rör | | |

| | | | | |
|---|--|---|-----------------------|------------|
| 1 | | Bränsleledningar, bränsletank - insprutningspump | Catalogue id | Group |
| 2 | | Tubos de combustible, depósito - bombe de inyección | 20007 | 235 |
| 3 | | Kraftstoffleitungen, Kraftstofftank - Einspritzpumpe | Illustr. No | Section |
| 4 | | Conduits de carburant, réservoir - pompe d'injection | 1016378 | 100 |
| 4 | | Fuel pipes, fuel tank - injection pump | Issue | Page |
| 5 | | SER NO - 20004 | VOE 63D9920007 | 87 |

VOLVO

L90E

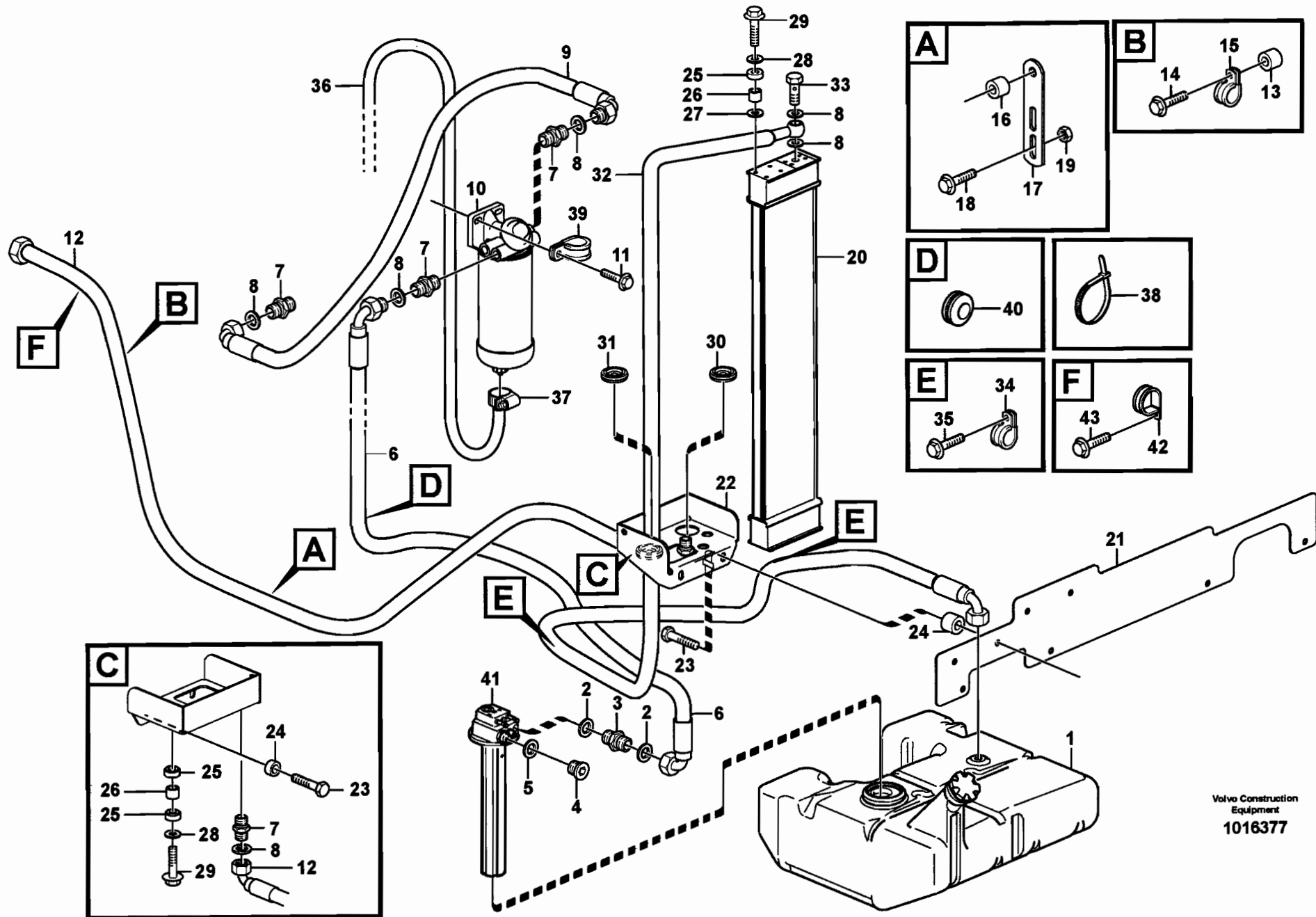


| Fig. | Part No. | Quantity | | | P S | K I T | Description | Dénomination | Bezeichnung | Denominación | Benämning | Notes |
|------|--------------|----------|---|---|--------|-------------------|-----------------------|------------------------|----------------------|--------------------|------------------------|-------|
| | | 1 | 2 | 3 | | | | | | | | |
| 30 | VOE 13960141 | 2 | | | | Washer..... | Rondelle..... | Scheibe..... | Arandela..... | Bricka..... | | |
| 31 | VOE 925739 | 4 | | | | Washer..... | Rondelle..... | Scheibe..... | Arandela..... | Bricka..... | | |
| 32 | VOE 946671 | 4 | | | | Flange screw..... | Vis à bride..... | Flanschschrabe..... | Torn embridado..... | Flänsskruv..... | | |
| 33 | VOE 943920 | 1 | | | | Plug..... | Bouchon..... | Stopfen..... | Tapon..... | Plugg..... | | |
| 34 | VOE 13961962 | 1 | | | | Ptct Bushing..... | Bague Protection..... | Schutzhulse..... | Buje Proteccion..... | Skyddsbusning..... | | |
| 35 | VOE 11173543 | 1 | | | | Fuel pipe..... | Conduit carbura..... | Kraftstoffleitung..... | Tubo combustib..... | Bränslör..... | | |
| 36 | VOE 941686 | 1 | | | | Hollow Screw..... | Vis Creuse..... | Hohlschraube..... | Tornillo hueco..... | Hålskruv..... | | |
| 37 | VOE 13949747 | 4 | | | | Clamp..... | Pince Serrage..... | Klemme..... | Abrazadera..... | Klämma..... | | |
| 38 | VOE 946440 | 4 | | | | Flange screw..... | Vis à bride..... | Flanschschrabe..... | Torn embridado..... | Flänsskruv..... | | |
| 39 | VOE 949908 | REQ | | | | Hose..... | Durit..... | Schlauch..... | Tubo flexible..... | Slang..... | L = 1300MM | |
| 40 | VOE 13975269 | 1 | | | | Clamp..... | Pince Serrage..... | Klemme..... | Abrazadera..... | Klämma..... | | |
| 41 | VOE 4881438 | REQ | | | | Strip Clamp..... | Ruban Serrage..... | Kabelbinder..... | Abraz Cinta..... | Bandklamma..... | | |
| 42 | VOE 980614 | 1 | | | | Clamp..... | Pince Serrage..... | Klemme..... | Abrazadera..... | Klämma..... | | |
| 43 | VOE 961970 | 1 | | | | Plug..... | Bouchon..... | Stopfen..... | Tapon..... | Plugg..... | | |
| 44 | | | | | | Tank Unit..... | Ensem.reservoir..... | Tankaggregat..... | Unidad Deposito..... | Tankaggregat..... | See group 234, Page 83 | |
| 45 | VOE 952630 | 1 | | | | Clamp..... | Pince Serrage..... | Klemme..... | Abrazadera..... | Klämma..... | | |
| 46 | VOE 946934 | 1 | | | | Screw..... | Vis..... | Schraube..... | Tornillo..... | Skruv..... | | |

| | | | |
|---|---|----------------|------------|
| 1 | Bränsleledningar, bränsletank - insprutningspump Tubos de combustible, depósito - bombe de inyección Kraftstoffleitungen, Kraftstofftank - Einspritzpumpe Conduits de carburant, réservoir - pompe d'injection Fuel pipes, fuel tank - injection pump SER NO - 20004 | Catalogue id | Group |
| 2 | | 20007 | 235 |
| 3 | | Illustr. No | Section |
| 4 | | 1016378 | 100 |
| 5 | | Issue | Page |
| | | VOE 63D9920007 | 89 |

VOLVO

L90E



| Fig. | Part No. | Quantity | | | P S | K I T | Description | Dénomination | Bezeichnung | Denominación | Benämning | Notes |
|------|--------------|----------|---|---|--------|----------------------|---------------------------|-------------------------|--------------------------|-----------------------|------------------------|-------|
| | | 1 | 2 | 3 | | | | | | | | |
| 1 | | | | | | Fuel tank | Réservoir carburant ... | Kraftstofftank | Deposit combust | Bränsletank..... | See group 234, Page 83 | |
| 2 | VOE 976929 | 2 | | | | Gasket..... | Joint | Dichtung | Junta | Packning..... | 69) | |
| 2 | VOE 948883 | 2 | | | | Plane Gasket | Joint Plan | Flachdichtung | Junta Plana | Planpackning..... | 70) | |
| 3 | VOE 13946602 | 1 | | | | Nipple..... | Raccord..... | Nippel..... | Niple | Nippel..... | 69) | |
| 3 | VOE 14213266 | 1 | | | | Fitting | Ecrou raccord..... | Verschraubung..... | Racor..... | Förskruvning..... | 70) | |
| 4 | VOE 945065 | 1 | | | | Plug..... | Bouchon..... | Stopfen..... | Tapon | Plugg..... | 69) | |
| 4 | VOE 13966143 | 1 | | | | Plug..... | Bouchon..... | Stopfen..... | Tapon | Plugg..... | 70) | |
| 5 | VOE 976929 | 1 | | | | Gasket..... | Joint | Dichtung | Junta | Packning..... | 69) | |
| 5 | VOE 948883 | 1 | | | | Plane Gasket | Joint Plan | Flachdichtung | Junta Plana | Planpackning..... | 70) | |
| 6 | VOE 11410365 | 1 | | | | Fuel pipe | Conduit carbura | Kraftstoffleitung | Tube combustib..... | Bränslerör..... | | |
| 7 | VOE 14213266 | 4 | | | | Fitting | Ecrou raccord..... | Verschraubung..... | Racor..... | Förskruvning..... | | |
| 8 | VOE 948883 | 6 | | | | Plane Gasket | Joint Plan | Flachdichtung | Junta Plana | Planpackning..... | | |
| 9 | VOE 11410068 | 1 | | | | Fuel pipe | Conduit carbura | Kraftstoffleitung | Tube combustib..... | Bränslerör..... | | |
| 10 | VOE 11110471 | 1 | | | | Water Separator..... | Separateur Eau | Wasserabscheidr | Separador Agua | Vattenavskiljare..... | | |
| | VOE 11110668 | 1 | | | | •Filter..... | •Filtre | •Filter..... | •Filtro | •Filter..... | | |
| 11 | VOE 946329 | 2 | | | | Flange screw..... | Vis à bride | Flanschschraube..... | Torn embridado | Flänsskrøv..... | | |
| 12 | VOE 11173542 | 1 | | | | Fuel pipe | Conduit carbura | Kraftstoffleitung | Tube combustib..... | Bränslerör..... | | |
| 13 | VOE 11130278 | 2 | | | | Spacer Sleeve..... | Doui.entretoise..... | Distanzhülse..... | Manguito Dist | Distanshylsa..... | | |
| 14 | VOE 946671 | 2 | | | | Flange screw..... | Vis à bride | Flanschschraube..... | Torn embridado | Flänsskrøv..... | | |
| 15 | VOE 13949747 | 5 | | | | Clamp..... | Pince Serrage | Klemme | Abrazadera | Klämma..... | | |
| 16 | VOE 11130278 | 2 | | | | Spacer Sleeve..... | Doui.entretoise..... | Distanzhülse..... | Manguito Dist | Distanshylsa..... | | |
| 17 | VOE 13965534 | 1 | | | | Bracket..... | Console..... | Konsole | Consola | Konsol..... | | |
| 18 | VOE 946440 | 1 | | | | Flange screw..... | Vis à bride | Flanschschraube..... | Torn embridado | Flänsskrøv..... | | |
| 19 | VOE 13945408 | 1 | | | | Nut | Ecrou..... | Mutter | Tuerca | Mutter..... | | |
| 20 | VOE 11110371 | 1 | | | | Oil Cooler | Refroidisseur huile | Ölkühler..... | Enfriadores aceite | Oljekylare..... | | |
| 20 | VOE 11110389 | 1 | | | | Oil Cooler | Refroidisseur huile | Ölkühler..... | Enfriadores aceite | Oljekylare..... | 80801 S/N 20307 - | |
| 21 | | 1 | | | NS | Plate..... | Plaque..... | Platte | Placa | Platta..... | | |
| 22 | | 1 | | | NS | Shelf..... | Planche | Ablage..... | Estante | Hylla..... | | |

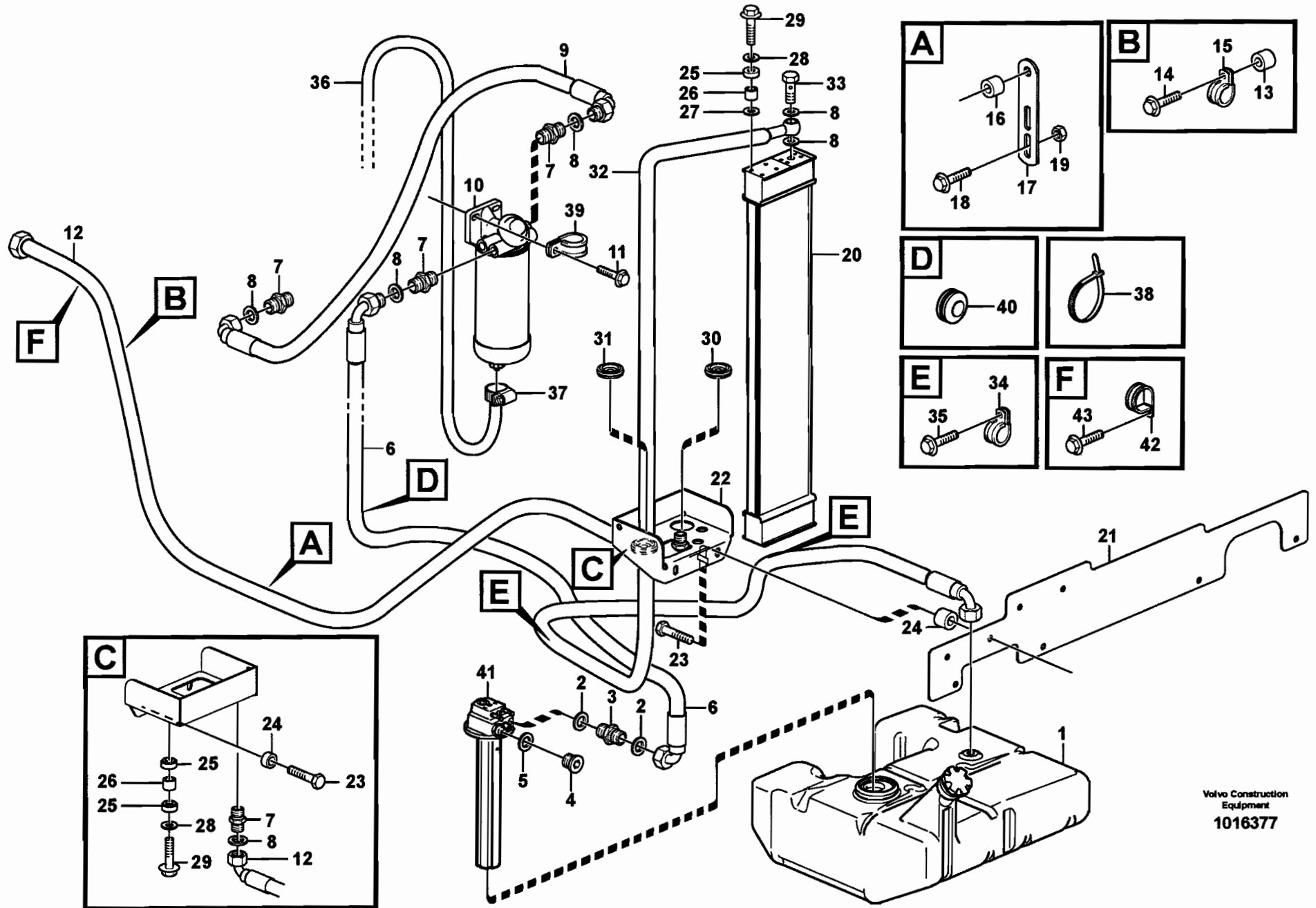
69) Ser No - 20962, - 66548 USA, - 70909 BRA

70) Ser No 20963 -, 66549 - USA, 70910 - BRA

| | | | |
|---|---|-----------------------|------------|
| 1 | Bränsleledningar, bränsletank - insprutningspump Tubos de combustible, depósito - bombe de inyección Kraftstoffleitungen, Kraftstofftank - Einspritzpumpe Conduits de carburant, réservoir - pompe d'injection Fuel pipes, fuel tank - injection pump S/N 20005 -, S/N 70801 - BRAZIL, OPEN ROPS | Catalogue id | Group |
| 2 | | 20007 | 235 |
| 3 | | Illustr. No | Section |
| 4 | | 1016377 | 110 |
| 5 | | Issue | Page |
| | | VOE 63D9920007 | 91 |

VOLVO

L90E

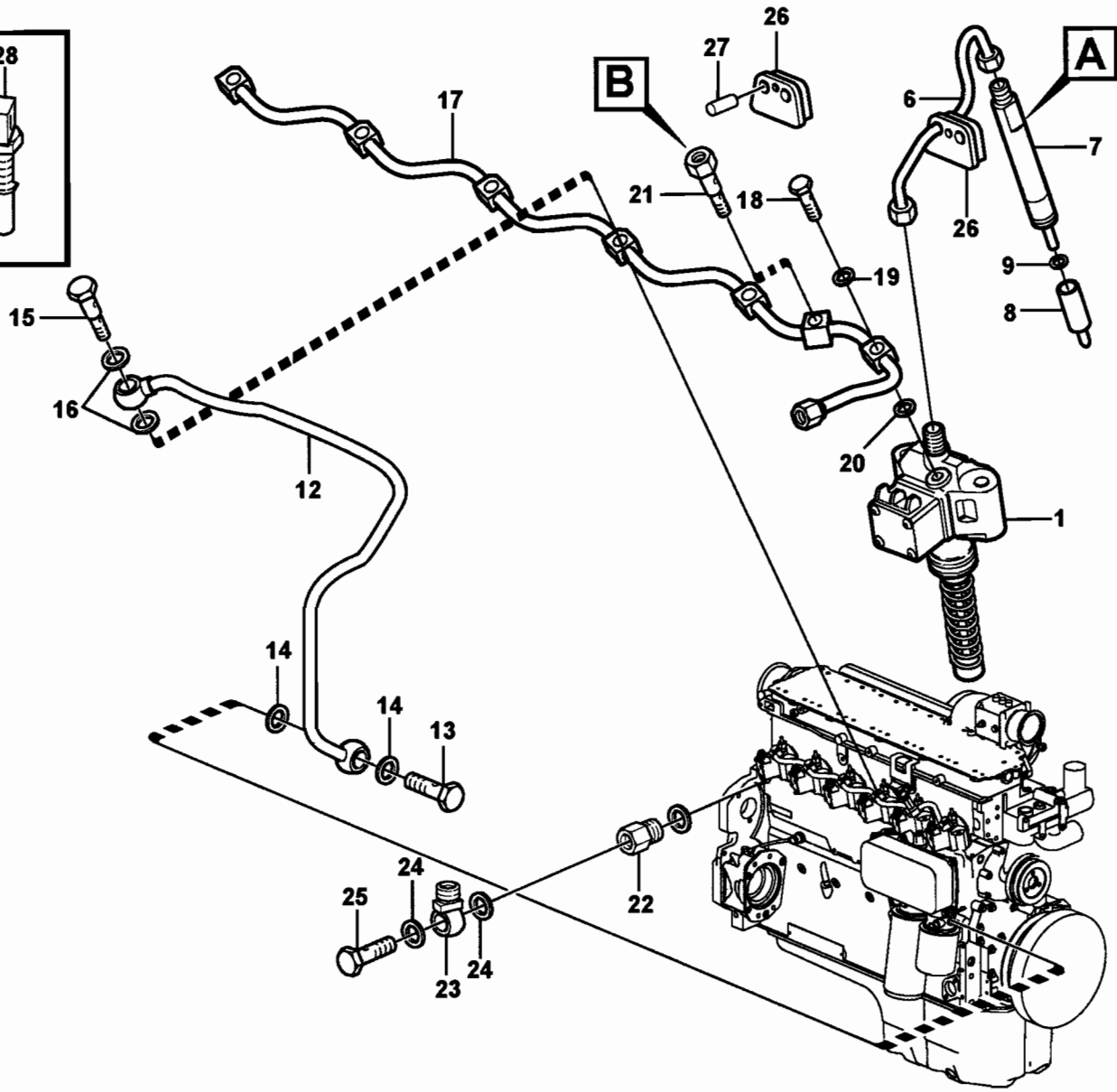
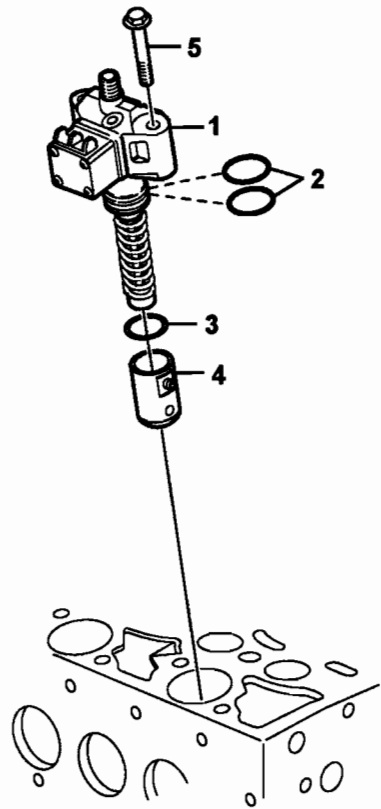
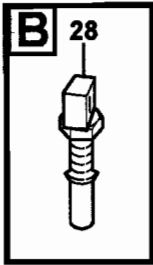
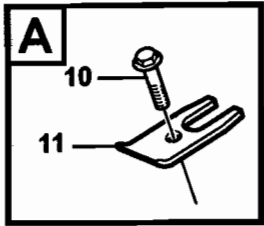


| Fig. | Part No. | Quantity | | | P S | K I T | Description | Dénomination | Bezeichnung | Denominación | Benämning | Notes |
|------|--------------|----------|---|---|--------|---------------------|------------------------|-------------------------|-----------------------|--------------------|------------------------|-------|
| | | 1 | 2 | 3 | | | | | | | | |
| 23 | VOE 13945444 | 6 | | | | Flange screw..... | Vis à bride | Flanschschraube..... | Torn embridado..... | Flänsskruv..... | | |
| 24 | VOE 13948871 | 6 | | | | Spacer Washer | Rond.entretoise..... | Abstandscheibe..... | Arandela Dist..... | Distansbricka..... | | |
| 25 | VOE 11024753 | 8 | | | | Rubber Damper | Amortis.caoutc. | Gummidämpfer | Amortig Goma | Gummidämpare..... | | |
| 26 | VOE 4951048 | 4 | | | | Pipe..... | Canalisation | Rohrleitung..... | Canalización..... | Rör..... | | |
| 27 | VOE 13960141 | 2 | | | | Washer..... | Rondelle | Scheibe | Arandela | Bricka..... | | |
| 28 | VOE 925739 | 4 | | | | Washer..... | Rondelle | Scheibe | Arandela | Bricka..... | | |
| 29 | VOE 946671 | 2 | | | | Flange screw..... | Vis à bride | Flanschschraube..... | Torn embridado..... | Flänsskruv..... | | |
| 30 | VOE 943920 | 2 | | | | Plug..... | Bouchon..... | Stopfen..... | Tapon | Plugg..... | | |
| 31 | VOE 13961962 | 1 | | | | Ptct Bushing..... | Bague Protection | Schutzhulse..... | Buje Proteccion | Skyddsbusning..... | | |
| 32 | VOE 11173543 | 1 | | | | Fuel pipe | Conduit carbura | Kraftstoffleitung | Tube combustib..... | Bränslerör..... | | |
| 33 | VOE 941686 | 1 | | | | Hollow Screw | Vis Creuse | Hohlschraube..... | Tornillo hueco..... | Hålskruv..... | | |
| 34 | VOE 13949747 | 4 | | | | Clamp..... | Pince Serrage | Klemme | Abrazadera..... | Klämma..... | | |
| 35 | VOE 946440 | 4 | | | | Flange screw..... | Vis à bride | Flanschschraube..... | Torn embridado..... | Flänsskruv..... | | |
| 36 | VOE 949908 | REQ | | | | Hose..... | Durit | Schlauch | Tube flexible..... | Slang..... | L = 730MM | |
| 37 | VOE 13975269 | 1 | | | | Clamp..... | Pince Serrage | Klemme | Abrazadera..... | Klämma..... | | |
| 38 | VOE 4881440 | REQ | | | | Strip Clamp | Ruban Serrage..... | Kabelbinder | Abraz Cinta | Bandklamma..... | | |
| 39 | VOE 980614 | 1 | | | | Clamp..... | Pince Serrage | Klemme | Abrazadera..... | Klämma..... | | |
| 40 | VOE 961970 | 1 | | | | Plug..... | Bouchon..... | Stopfen..... | Tapon | Plugg..... | | |
| 41 | | | | | | Tank Unit..... | Ensem.reservoir..... | Tankaggregat..... | Unidad Deposito..... | Tankaggregat..... | See group 234, Page 83 | |
| 42 | VOE 952630 | 1 | | | | Clamp..... | Pince Serrage | Klemme | Abrazadera..... | Klämma..... | | |
| 43 | VOE 946934 | 1 | | | | Screw..... | Vis | Schraube..... | Tornillo | Skruv..... | | |

| | | | | |
|---|--|---|-----------------------|------------|
| 1 | | Bränsleledningar, bränsletank - insprutningspump Tubos de combustible, depósito - bombe de inyección Kraftstoffleitungen, Kraftstofftank - Einspritzpumpe Conduits de carburant, réservoir - pompe d'injection Fuel pipes, fuel tank - injection pump S/N 20005 -, S/N 70801 - BRAZIL, OPEN ROPS | Catalogue id | Group |
| 2 | | | 20007 | 235 |
| 3 | | | Illustr. No | Section |
| 4 | | | 1016377 | 110 |
| 5 | | | Issue | Page |
| | | | VOE 63D9920007 | 93 |

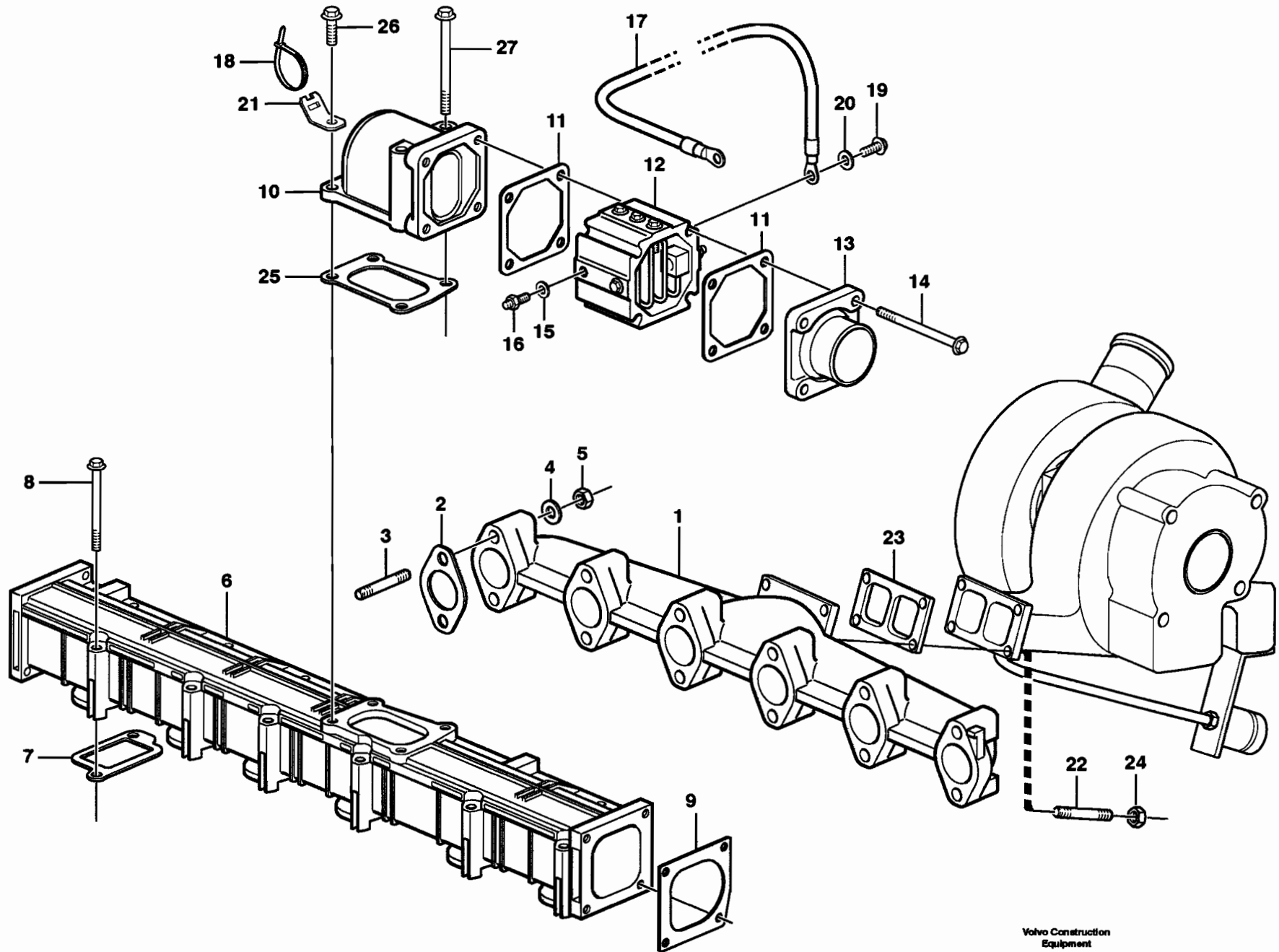
VOLVO

L90E



| Fig. | Part No. | Quantity | | | P S | K I T | Description | Dénomination | Bezeichnung | Denominación | Benämning | Notes |
|------|--------------|----------|---|---|--------|----------------------|-------------------------|--------------------------|-----------------------|--------------------|-------------|-------|
| | | 1 | 2 | 3 | | | | | | | | |
| 1 | VOE 20460075 | 6 | | | | Injection Pump | Pompe Injection | Einspritzpumpe | Bomba Inyeccion..... | Insprutn.pump..... | MA2301-2306 | |
| 2 | VOE 20460073 | 2 | | | | •O-ring..... | •Joint Torique | •O-Ring..... | •Junta torica | •O-ring..... | | |
| 3 | VOE 11700409 | 6 | | | | Shim..... | Cale Reglage | Nachstellblech..... | Cuna de calzar | Justerbleck..... | | |
| 4 | VOE 11700392 | 6 | | | | Roller..... | Galet | Rolle | Rodillo | Rulle..... | | |
| 5 | VOE 20450667 | 12 | | | | Screw | Vis | Schraube..... | Tornillo | Skruv..... | | |
| 6 | VOE 20460100 | 6 | | | | Fuel pipe | Conduit carbura | Kraftstoffleitung | Tubo combustib..... | Bränslerör..... | | |
| 7 | VOE 20549383 | 6 | | | | Injector | Injecteur | Einspritzdüse..... | Inyector | Insprutare..... | | |
| 8 | VOE 20460098 | 6 | | | | •Nozzle..... | •Nez D'injecteur..... | •Einspritzduse | •Tobera..... | •Spridare..... | | |
| 9 | VOE 11700426 | 6 | | | | Seal..... | Joint | Dichtring | Junta | Tätning..... | | |
| 10 | VOE 11700424 | 12 | | | | Retainer | Retenue | Halter..... | Soporte..... | Hållare | | |
| 11 | VOE 20405559 | 6 | | | | Screw | Vis | Schraube..... | Tornillo | Skruv..... | | |
| 12 | VOE 20517097 | 1 | | | | Fuel pipe | Conduit carbura | Kraftstoffleitung | Tubo combustib..... | Bränslerör..... | | |
| 13 | VOE 7025167 | 1 | | | | •Hollow Screw..... | •Vis Creuse | •Hohlschraube..... | •Tornillo hueco | •Hålskruv..... | | |
| 14 | VOE 976929 | 2 | | | | •Gasket..... | •Joint..... | •Dichtung..... | •Junta | •Packning..... | | |
| 15 | VOE 20502270 | 1 | | | | •Hollow Screw..... | •Vis Creuse | •Hohlschraube..... | •Tornillo hueco | •Hålskruv..... | | |
| 16 | VOE 20460061 | 2 | | | | •Seal | •Joint..... | •Dichtring..... | •Junta | •Tätning..... | | |
| 17 | VOE 20551457 | 1 | | | | Fuel pipe | Conduit carbura | Kraftstoffleitung | Tubo combustib..... | Bränslerör..... | | |
| 18 | VOE 20502267 | 4 | | | | •Fuel pipe..... | •Conduit carbura | •Kraftstoffleitung | •Tubo combustib | •Bränslerör..... | | |
| 19 | VOE 20460061 | 5 | | | | •Seal | •Joint..... | •Dichtring..... | •Junta | •Tätning..... | | |
| 20 | VOE 20504411 | 5 | | | | •Sealing ring..... | •Bague d'étanchéité ... | •Runddichtring..... | •Anillo reten | •Tätningsring..... | | |
| 21 | VOE 20537210 | 1 | | | | •Socket..... | •Socle..... | •Sockel | •Zocalo | •Socket..... | | |
| 22 | VOE 20485256 | 1 | | | | Screw | Vis | Schraube..... | Tornillo | Skruv..... | | |
| 23 | VOE 20459905 | 1 | | | | Banjo Nipple..... | Raccord Banjo | Schwenknippel | Racor Banjo | Banjonippel..... | | |
| 24 | VOE 976929 | 2 | | | | Gasket..... | Joint | Dichtung | Junta | Packning..... | | |
| 25 | VOE 11704362 | 1 | | | | Delivery Valve | Soup.refouleme..... | Druckventil | Valvula Presion | Tryckventil..... | | |
| 26 | VOE 11700487 | 1 | | | | Rubber Seal..... | Lèvre Caoutchouc..... | Gummilippe..... | Labio Goma..... | Gummiläpp..... | | |
| 27 | VOE 20515652 | 1 | | | | Plug..... | Bouchon..... | Stopfen..... | Tapon | Plugg..... | | |
| 28 | VOE 20450685 | 1 | | | | Sensor..... | Capteur | Geber | Captador | Givare..... | | |

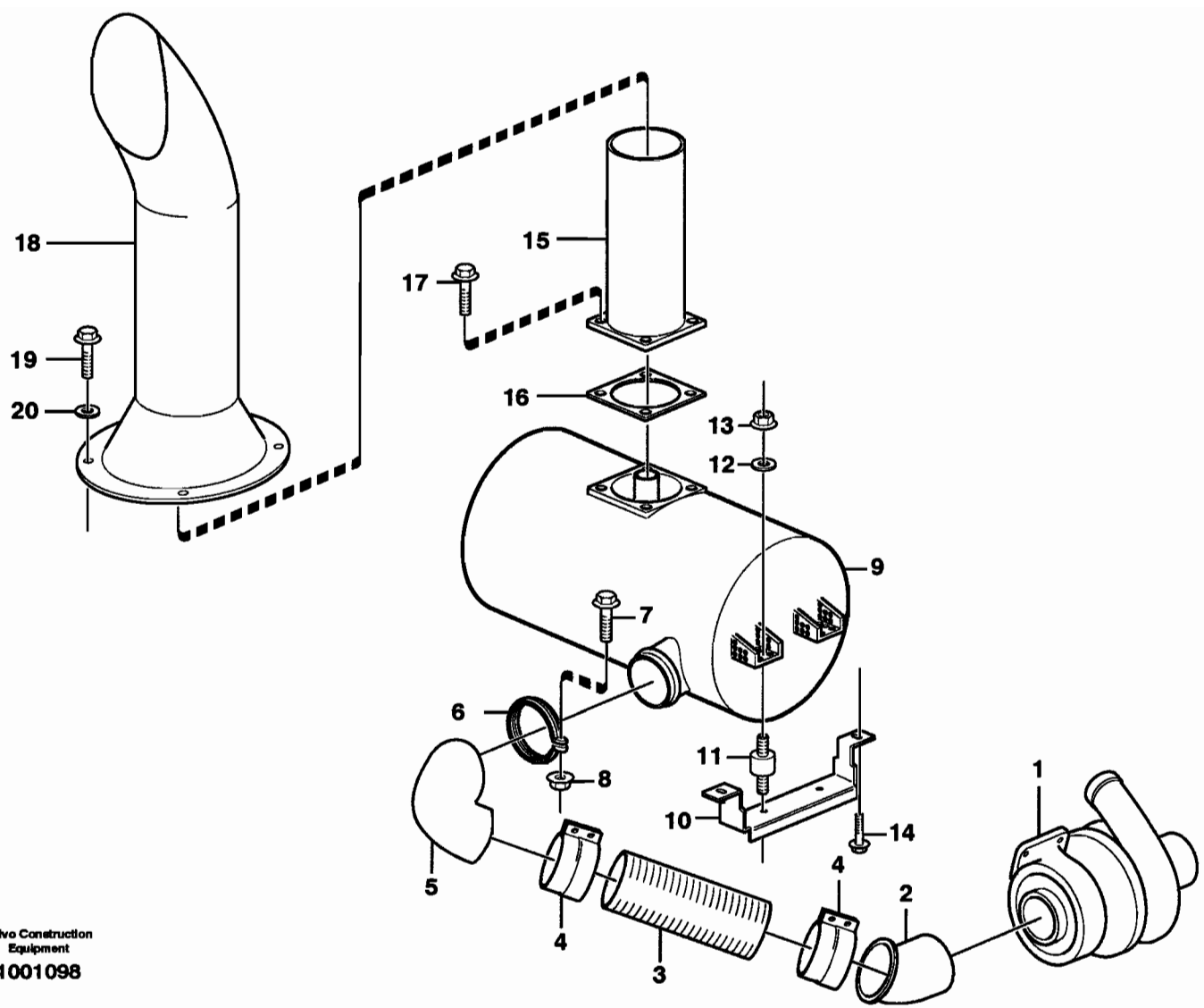
| | | | |
|---|---|-----------------------|------------|
| 1 | Bränslerör och insprutare Tuberías de combustible, inyector Brennstoffrohre Canalisation à combustible, injecteur Fuel lines and injectors | Catalogue id | Group |
| 2 | | 20007 | 237 |
| 3 | | Illustr. No | Section |
| 4 | | 1013609 | 100 |
| 5 | | Issue | Page |
| | | VOE 63D9920007 | 95 |



Volvo Construction
Equipment
1003767

| Fig. | Part No. | Quantity | | | P S | K I T | Description | Dénomination | Bezeichnung | Denominación | Benämning | Notes |
|------|--------------|----------|---|---|--------|-------------|----------------------|--------------------------|----------------------|----------------------|---------------------|-----------------|
| | | 1 | 2 | 3 | | | | | | | | |
| 1 | VOE 20459234 | 1 | | | | | Exhaust Pipe..... | Tuyau d'échappemen..... | Auspuffrohr..... | Tubo Escape..... | Avgasrör..... | |
| 2 | VOE 20557208 | 6 | | | | | Gasket..... | Joint..... | Dichtung..... | Junta..... | Packning..... | |
| 3 | VOE 20575919 | 12 | | | | | Stud..... | Goujon..... | Stiftschraube..... | Esparrago..... | Pinnskruv..... | |
| 4 | VOE 20405588 | 12 | | | | | Washer..... | Rondelle..... | Scheibe..... | Arandela..... | Bricka..... | |
| 5 | VOE 20505959 | 12 | | | | | Hexagon Nut..... | Ecrou Hexagonal..... | Sechskantmutter..... | Tuerca Hexagon..... | Sexkantsmutter..... | |
| 6 | VOE 20496558 | 1 | | | | | Charge Air Pipe..... | Tuyau Suralimen..... | Ladeluftrohr..... | Tubo Admis Aire..... | Laddluftör..... | |
| 7 | VOE 20459222 | 6 | | | | | Gasket..... | Joint..... | Dichtung..... | Junta..... | Packning..... | |
| 8 | VOE 20459830 | 12 | | | | | Screw..... | Vis..... | Schraube..... | Tornillo..... | Skruv..... | |
| 9 | VOE 20459226 | 1 | | | | | Gasket..... | Joint..... | Dichtung..... | Junta..... | Packning..... | |
| 10 | VOE 20460126 | 1 | | | | | Pipe elbow..... | Tuyau coude..... | Rohrbiegung..... | Acodadura tubo..... | Rörkrök..... | |
| 11 | VOE 20531832 | 2 | | | | | Gasket..... | Joint..... | Dichtung..... | Junta..... | Packning..... | (VOE 20517115) |
| 12 | VOE 20498227 | 1 | | | | | Heater..... | Elément de chauffag..... | Heizkörper..... | Calefaccion..... | Värmeelement..... | SER NO - 876808 |
| | VOE 20572806 | 1 | | | | | Heater..... | Elément de chauffag..... | Heizkörper..... | Calefaccion..... | Värmeelement..... | SER NO 876809 - |
| 13 | | 1 | | | NS | | Adapter..... | Raccord Reduct..... | Verbind Stutzen..... | Adaptador..... | Adapter..... | |
| 14 | VOE 20460123 | 4 | | | | | Screw..... | Vis..... | Schraube..... | Tornillo..... | Skruv..... | |
| 15 | VOE 20498524 | 1 | | | | | Sealing ring..... | Bague d'étanchéité..... | Runddichtring..... | Anillo reten..... | Tättningsring..... | |
| 16 | VOE 20498498 | 1 | | | | | Connector..... | Raccord..... | Anschluss..... | Union..... | Anslutning..... | |
| 17 | VOE 20498532 | 1 | | | | | Cable..... | Cable..... | Seil..... | Cable..... | Lina..... | |
| 18 | VOE 4881440 | 1 | | | | | Strip Clamp..... | Ruban Serrage..... | Kabelbinder..... | Abraz Cinta..... | Bandklamma..... | (VOE 948211) |
| 19 | VOE 20405898 | 2 | | | | | Screw..... | Vis..... | Schraube..... | Tornillo..... | Skruv..... | (VOE 20509448) |
| 20 | VOE 20460127 | 1 | | | | | Washer..... | Rondelle..... | Scheibe..... | Arandela..... | Bricka..... | |
| 21 | VOE 20450997 | 1 | | | | | Bracket..... | Console..... | Konsole..... | Consola..... | Konsol..... | |
| 22 | VOE 20412314 | 4 | | | | | Stud..... | Goujon..... | Stiftschraube..... | Esparrago..... | Pinnskruv..... | |
| 23 | VOE 20405970 | 1 | | | | | Gasket..... | Joint..... | Dichtung..... | Junta..... | Packning..... | |
| 24 | VOE 20412308 | 4 | | | | | Hexagon Nut..... | Ecrou Hexagonal..... | Sechskantmutter..... | Tuerca Hexagon..... | Sexkantsmutter..... | |
| 25 | VOE 20565204 | 1 | | | | | Gasket..... | Joint..... | Dichtung..... | Junta..... | Packning..... | |
| 26 | VOE 20405504 | 2 | | | | | Screw..... | Vis..... | Schraube..... | Tornillo..... | Skruv..... | |
| 27 | VOE 20460124 | 2 | | | | | Screw..... | Vis..... | Schraube..... | Tornillo..... | Skruv..... | |

| | | | | |
|---|--|--|-----------------------|------------|
| 1 | | Insugningsrör och avgasgrenrör Tubo admisión y múltiple escape Ansaugrohr und Auspuffkrümmer Tubulure admission et tubulure echappement Inlet manifold and exhaust manifold | Catalogue id | Group |
| 2 | | | 20007 | 251 |
| 3 | | | Illustr. No | Section |
| 4 | | | 1003767 | 100 |
| 5 | | | Issue | Page |
| | | | VOE 63D9920007 | 97 |



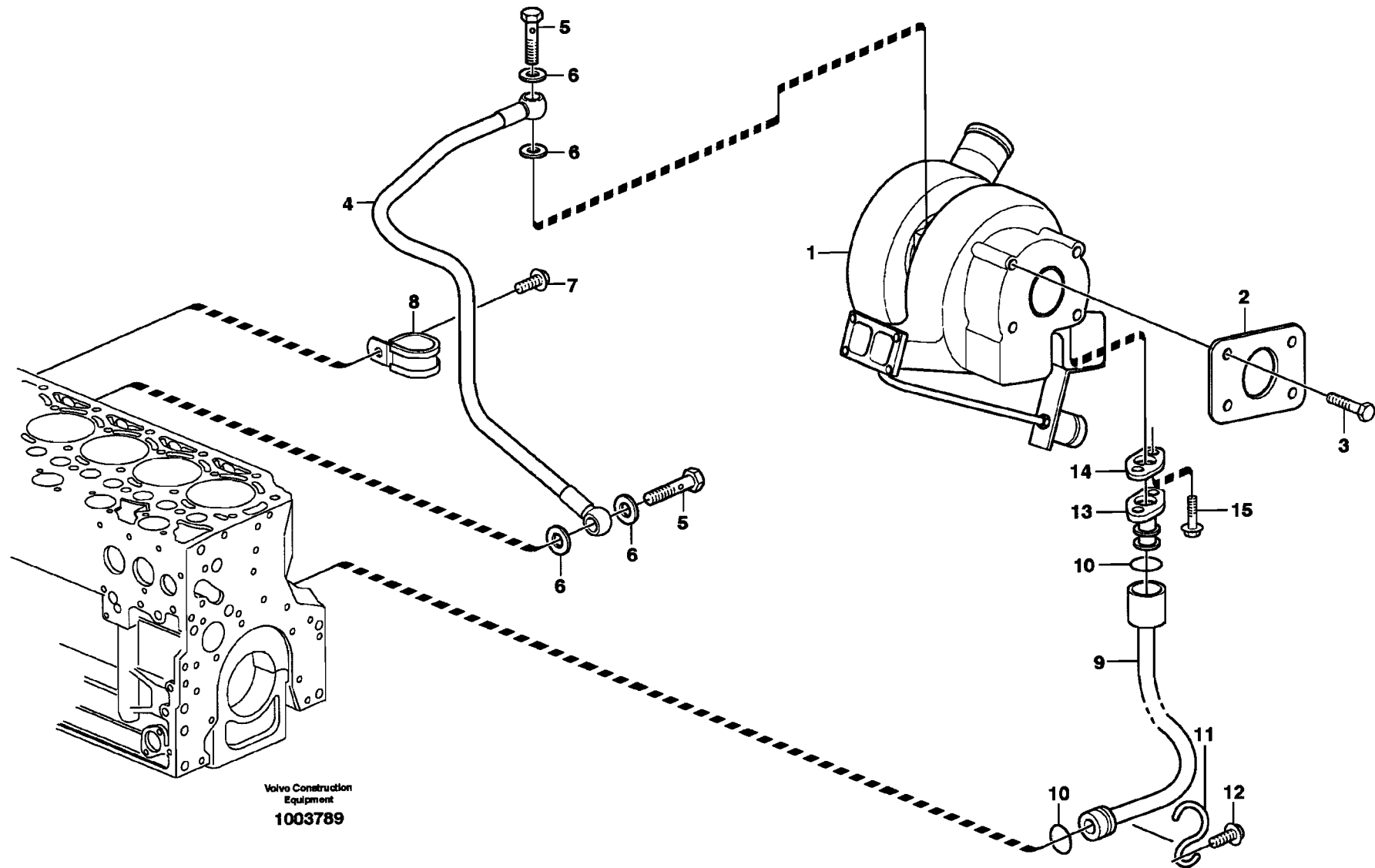
Volvo Construction
 Equipment
 1001098

| Fig. | Part No. | Quantity | | | P S | K I T | Description | Dénomination | Bezeichnung | Denominación | Benämning | Notes |
|------|--------------|----------|---|---|--------|----------------------|-------------------------|-------------------------|----------------------|------------------|-----------|-------|
| | | 1 | 2 | 3 | | | | | | | | |
| 1 | | 1 | | | | Turbo..... | Turbo..... | Turbo..... | Turbo..... | Turbo..... | | |
| 2 | VOE 11172889 | 1 | | | | Exhaust Pipe..... | Tuyau d'échappemen..... | Auspuffrohr..... | Tubo Escape..... | Avgasrör..... | | |
| 3 | VOE 11110351 | 1 | | | | Exhaust Hose..... | Flex.echappeme..... | Auspuffschlauch..... | Manguera Tub Es..... | Avgasslang..... | | |
| 4 | VOE 11110355 | 2 | | | | Clamp..... | Pince Serrage..... | Klemme..... | Abrazadera..... | Klämma..... | | |
| 5 | VOE 11172244 | 1 | | | | Exhaust Pipe..... | Tuyau d'échappemen..... | Auspuffrohr..... | Tubo Escape..... | Avgasrör..... | | |
| 6 | VOE 1624613 | 1 | | | | Clamp..... | Pince Serrage..... | Klemme..... | Abrazadera..... | Klämma..... | | |
| 7 | VOE 13965179 | 1 | | | | Flange screw..... | Vis à bride..... | Flanschschraube..... | Torn embridado..... | Flänsskruv..... | | |
| 8 | VOE 13945408 | 1 | | | | Nut..... | Ecrou..... | Mutter..... | Tuerca..... | Mutter..... | | |
| 9 | VOE 11110309 | 1 | | | | Muffler..... | Silencieux..... | Schalldämpfer..... | Silencioso..... | Ljuddämpare..... | | |
| 10 | VOE 11174246 | 1 | | | | Attaching Plate..... | Fer Fixation..... | Befestigungslasche..... | Plato Fijacion..... | Fästjärn..... | | |
| 11 | VOE 11110276 | 4 | | | | Rubber cushion..... | Coussin caoutc..... | Gummikissen..... | Cojin goma..... | Gummikudde..... | | |
| 12 | VOE 13960145 | 4 | | | | Washer..... | Rondelle..... | Scheibe..... | Arandela..... | Bricka..... | | |
| 13 | VOE 13971096 | 8 | | | | Flange nut..... | Ecrou accouple..... | Bundmutter..... | Tuerca embridad..... | Flänsmutter..... | | |
| 14 | VOE 13946752 | 4 | | | | Screw..... | Vis..... | Schraube..... | Tornillo..... | Skruv..... | | |
| 15 | VOE 11110273 | 1 | | | | Exhaust Pipe..... | Tuyau d'échappemen..... | Auspuffrohr..... | Tubo Escape..... | Avgasrör..... | | |
| 16 | VOE 4773684 | 1 | | | | Gasket..... | Joint..... | Dichtung..... | Junta..... | Packning..... | | |
| 17 | VOE 13971019 | 4 | | | | Screw..... | Vis..... | Schraube..... | Tornillo..... | Skruv..... | | |
| 18 | VOE 11148403 | 1 | | | | Ejector Pipe..... | Tube Ejecteur..... | Ejektorrohr..... | Tubo Eyector..... | Ejektorrör..... | | |
| 19 | VOE 946472 | 4 | | | | Flange screw..... | Vis à bride..... | Flanschschraube..... | Torn embridado..... | Flänsskruv..... | | |
| 20 | VOE 13960143 | 4 | | | | Washer..... | Rondelle..... | Scheibe..... | Arandela..... | Bricka..... | | |

| | | | | |
|---|--|---|--------------------------------|-----------------------|
| 1 | | Avgassystem, ljuddämpare | Catalogue id 20007 | Group 252 |
| 2 | | Sistema de escape, silenciador | Illustr. No 1001098 | Section 100 |
| 3 | | Auspuffsystem, Schalldämpfer | | |
| 4 | | Système d'aspiration, silencieux | Issue VOE 63D9920007 | Page 99 |
| 5 | | Exhaust system, silencer | | |
| | | STD, OPEN ROPS | | |

VOLVO

L90E



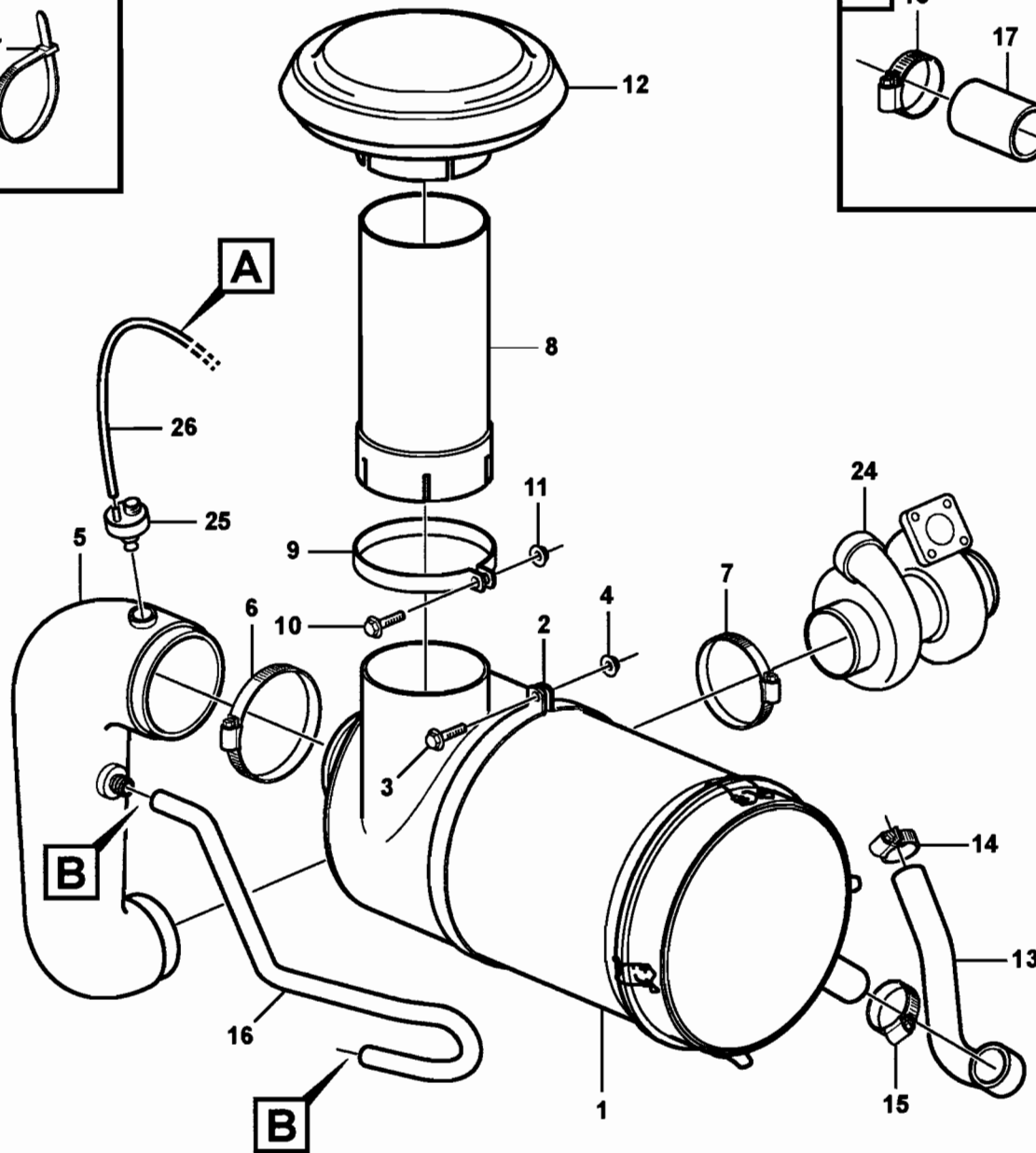
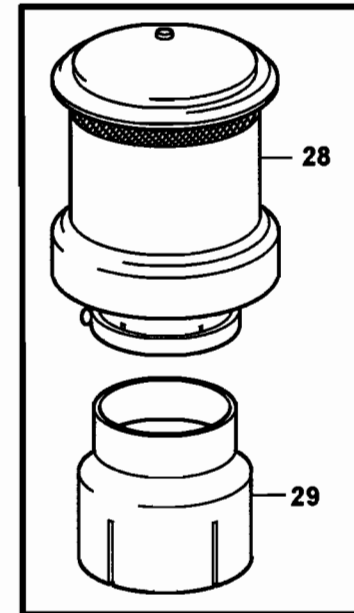
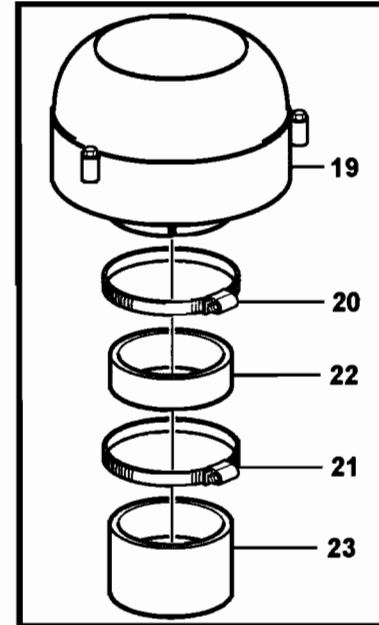
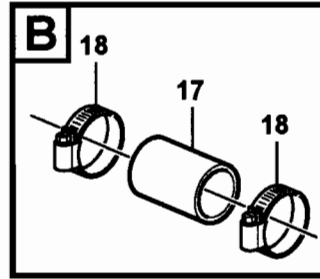
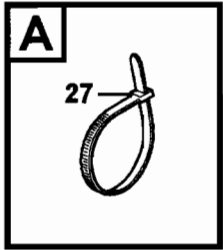
Volvo Construction
Equipment
1003789

| Fig. | Part No. | Quantity | | | P S | K T | Description | Dénomination | Bezeichnung | Denominación | Benämning | Notes |
|------|--------------|----------|---|---|--------|--------|--------------------|--------------------------|-----------------------|----------------------|-----------------------|-------|
| | | 1 | 2 | 3 | | | | | | | | |
| 1 | VOE 20542870 | | | | | | Turbocharger | Turbocompresse | Abgasturbolader | Turbocompresor | Turbokompressor | |
| 2 | VOE 20405969 | 1 | | | | | Gasket | Joint | Dichtung | Junta | Packning | |
| 3 | VOE 20405874 | 4 | | | | | Screw | Vis | Schraube | Tornillo | Skruv | |
| 4 | VOE 20459188 | 1 | | | | | Oil Line | Conduit Huile | Ölleitung | Tubo Aceite | Oljeledning | |
| 5 | VOE 7025167 | 2 | | | | | Hollow Screw | Vis Creuse | Hohlschraube | Tornillo hueco | Hålskruv | |
| 6 | VOE 13947621 | 4 | | | | | Plane Gasket | Joint Plan | Flachdichtung | Junta Plana | Planpackning | |
| 7 | VOE 20450987 | 1 | | | | | Clamp | Pince Serrage | Klemme | Abrazadera | Klämma | |
| 8 | VOE 20405792 | 1 | | | | | Screw | Vis | Schraube | Tornillo | Skruv | |
| 9 | VOE 20459174 | 1 | | | | | Return Line | Conduit Retour | Ruckaufleitung | Conduct Retorn | Returledning | |
| 10 | VOE 20405822 | 2 | | | | | Sealing ring | Bague d'étanchéité | Runddichtring | Anillo reten | Tättningsring | |
| 11 | VOE 20405789 | 1 | | | | | Retainer | Retenue | Halter | Soporte | Hållare | |
| 12 | VOE 20405792 | 1 | | | | | Screw | Vis | Schraube | Tornillo | Skruv | |
| 13 | VOE 20459178 | 1 | | | | | Flange | Flasque | Flansch | Brida | Fläns | |
| 14 | VOE 20405790 | 1 | | | | | Gasket | Joint | Dichtung | Junta | Packning | |
| 15 | VOE 20405885 | 2 | | | | | Screw | Vis | Schraube | Tornillo | Skruv | |

| | | | | |
|---|--|---|----------------|------------|
| 1 | | Turbokompressor med monteringsdetaljer Turboalimentador con accesorios de montaje Torbolader mit Anbauteilen Turbocompresseur avec pièces de montage Turbocharger with fitting parts | Catalogue id | Group |
| 2 | | | 20007 | 255 |
| 3 | | | Illustr. No | Section |
| 4 | | | 1003789 | 100 |
| 5 | | | Issue | Page |
| | | | VOE 63D9920007 | 101 |

VOLVO

L90E



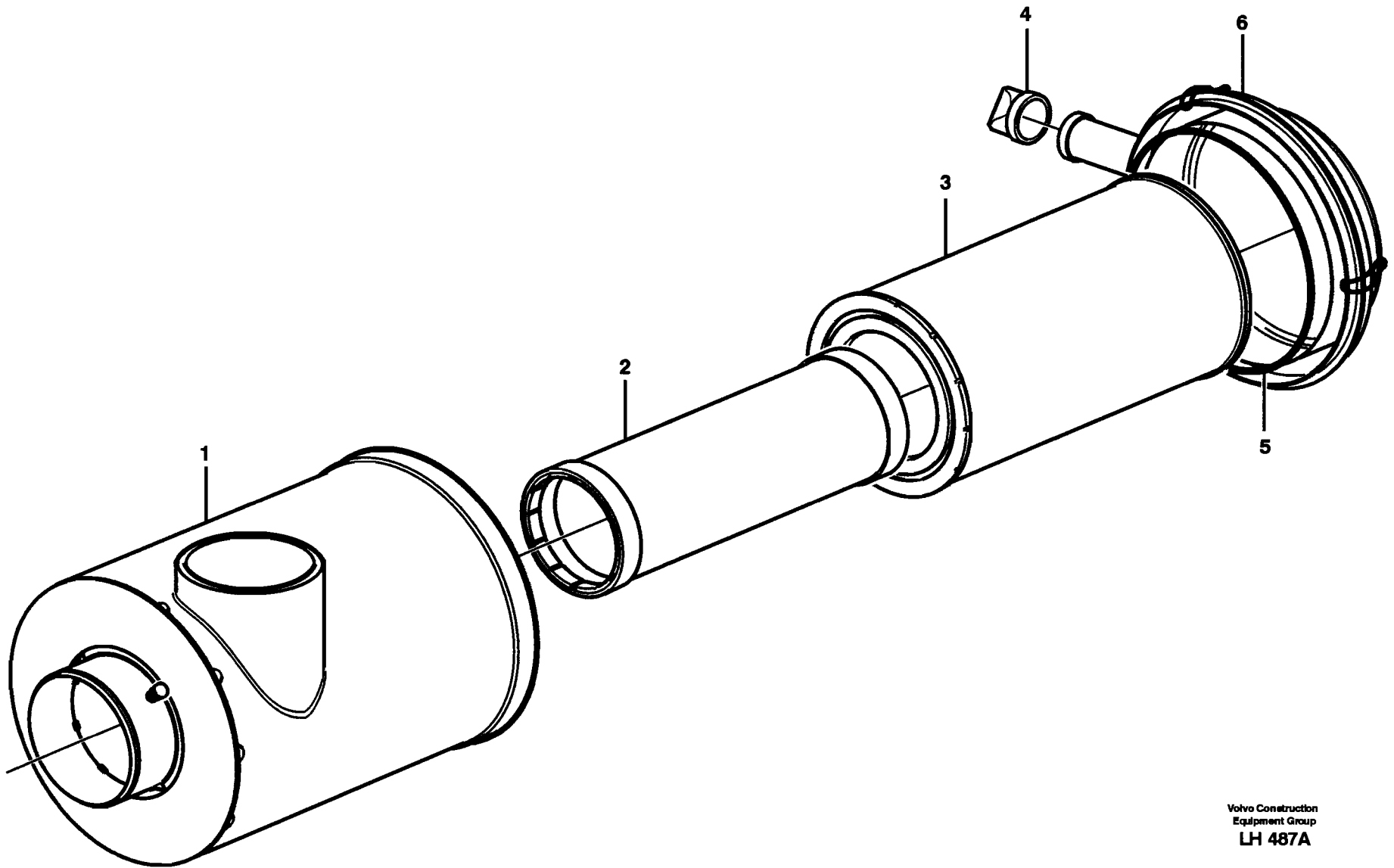
Volvo Construction
Equipment
1015658

| Fig. | Part No. | Quantity | | | P S | K I T | Description | Dénomination | Bezeichnung | Denominación | Benämning | Notes |
|------|--------------|----------|---|---|--------|-----------------|------------------|-----------------|-----------------|-----------------|--------------------------------|-------|
| | | 1 | 2 | 3 | | | | | | | | |
| 1 | VOE 14346120 | 1 | | | | Air Cleaner | Filtre Air | Luftfilter | Filtro Aire | Luftrenare | See group 256, Page 105 | |
| 2 | VOE 14346045 | 2 | | | | Tensioning Band | Ruban Serrage | Spannband | Cinta Tensora | Spännband | | |
| 3 | VOE 946671 | 2 | | | | Flange screw | Vis à bride | Flanschschraube | Torn embridado | Flänsskruv | | |
| 4 | VOE 13945408 | 2 | | | | Nut | Ecrou | Mutter | Tuerca | Mutter | | |
| 5 | VOE 11410091 | 1 | | | | Hose | Durit | Schlauch | Tubo flexible | Slang | | |
| 6 | VOE 1544734 | 1 | | | | Hose Clamp | Collier Serrage | Schlauchschele | Abraz Manguera | Slangklamma | | |
| 7 | VOE 1544732 | 1 | | | | Hose Clamp | Collier Serrage | Schlauchschele | Abraz Manguera | Slangklamma | | |
| 8 | VOE 11172892 | 1 | | | | Tube | Tube | Rohr | Tubo | Rör | | |
| 9 | VOE 982444 | 1 | | | | Clamp | Pince Serrage | Klemme | Abrazadera | Klämma | | |
| 10 | VOE 13965185 | 1 | | | | Flange screw | Vis à bride | Flanschschraube | Torn embridado | Flänsskruv | | |
| 11 | VOE 13971095 | 1 | | | | Flange nut | Ecrou accouple | Bundmutter | Tuerca embridad | Flänsmutter | | |
| 12 | VOE 11110213 | 1 | | | | Cover | Capot | Haube | Capo | Huv | | |
| 13 | VOE 11410085 | 1 | | | | Hose | Durit | Schlauch | Tubo flexible | Slang | | |
| 14 | VOE 943476 | 1 | | | | Hose Clamp | Collier Serrage | Schlauchschele | Abraz Manguera | Slangklamma | | |
| 15 | VOE 943479 | 1 | | | | Hose Clamp | Collier Serrage | Schlauchschele | Abraz Manguera | Slangklamma | | |
| 16 | VOE 11180505 | 1 | | | | Pipe | Canalisation | Rohrleitung | Canalizacion | Rör | | |
| 17 | VOE 190993 | REQ | | | | Hose | Durit | Schlauch | Tubo flexible | Slang | 2 X L = 80 MM | |
| 18 | VOE 13943474 | 4 | | | | Hose Clamp | Collier Serrage | Schlauchschele | Abraz Manguera | Slangklamma | | |
| 19 | VOE 11180657 | 1 | | | | Pre-cleaner | Prefiltre | Vorreiniger | Prefiltro | Förrenare | 82310 | |
| 20 | VOE 1660378 | 1 | | | | •Hose Clamp | •Collier Serrage | •Schlauchschele | •Abraz Manguera | •Slangklamma | 82310 | |
| 21 | VOE 1544736 | 1 | | | | •Hose Clamp | •Collier Serrage | •Schlauchschele | •Abraz Manguera | •Slangklamma | 82310 | |
| 22 | VOE 14342769 | 1 | | | | Rubber Sleeve | Douille Caoutch | Gummimanschette | Manguito Goma | Gummihylsa | 82310 | |
| 23 | VOE 4932563 | 1 | | | | Rubber Bushing | Bagu.caoutchouc | Gummibuchse | Buje Goma | Gummibussning | 82310 | |
| 24 | | 1 | | | | Turbocharger | Turbocompresse | Turbolader | Turbocompresor | Turbokompressor | | |
| 25 | VOE 20560843 | 1 | | | | Vacuum Switch | Contact Depres | Vakuumschalter | Contacto Vacio | Vakuumpkontakt | (VOE 20409365) SE2501, 2502 | |
| 26 | VOE 969021 | REQ | | | | Hose | Durit | Schlauch | Tubo flexible | Slang | | |
| 27 | VOE 4881440 | 1 | | | | Strip Clamp | Ruban Serrage | Kabelbinder | Abraz Cinta | Bandklamma | | |
| 28 | VOE 11043114 | 1 | | | | Pre-cleaner | Prefiltre | Vorreiniger | Prefiltro | Förrenare | | |
| 29 | VOE 11410357 | 1 | | | | Tube | Tuyau | Rohr | Tubo | Rör | | |

| | | | | |
|---|--|--|-----------------------|------------|
| 1 | | Luftrenare med monteringsdetaljer | Catalogue id | Group |
| 2 | | Filtro de aire con accesoris de montaje | 20007 | 256 |
| 3 | | Luftfilter mit Anbauteilen | Illustr. No | Section |
| 4 | | Filtre à air avec pièces de montage | 1015658 | 100 |
| 5 | | Air filter with fitting parts | Issue | Page |
| | | STD, OPEN ROPS | VOE 63D9920007 | 103 |

VOLVO

L90E



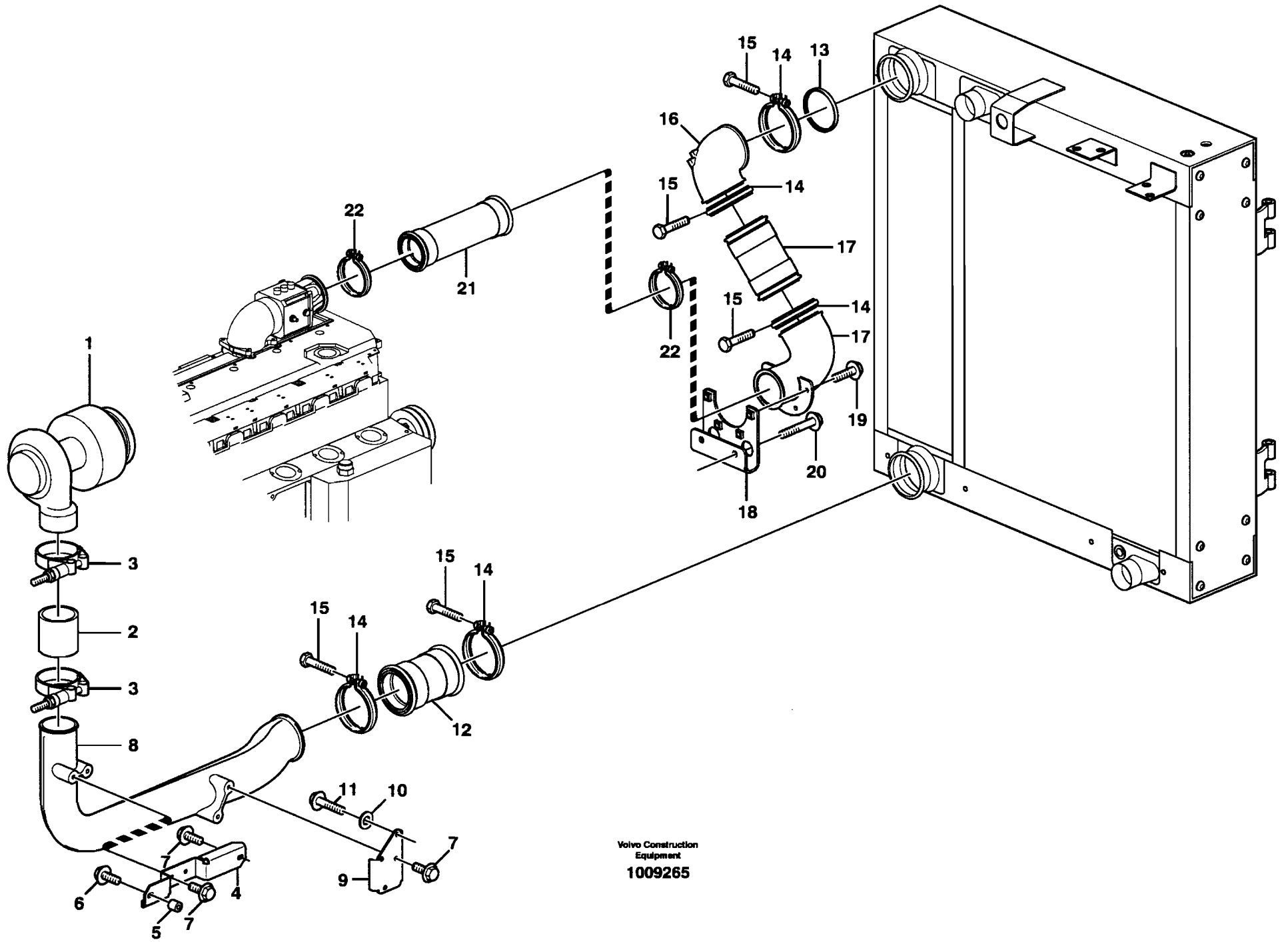
Volvo Construction
Equipment Group
LH 487A

| Fig. | Part No. | Quantity | | | P S | K I T | Description | Dénomination | Bezeichnung | Denominación | Benämning | Notes |
|------|--------------|----------|---|---|--------|---------------------|---------------------------|--------------------------|----------------------------|-----------------------|-----------|-------|
| | | 1 | 2 | 3 | | | | | | | | |
| 1 | VOE 14346120 | 1 | | | | Air Cleaner | Filtre Air..... | Luftfilter | Filtro Aire..... | Luftrenare..... | | |
| 2 | VOE 11110176 | 1 | | | | •Safety filter..... | •Filtre de sécurité | •Sicherheitsfilter | •Filtro de seguridad | •Säkerhetsfilter..... | | |
| 3 | VOE 11110175 | 1 | | | | •Filter..... | •Filtre..... | •Filter | •Filtro | •Filter..... | | |
| 4 | VOE 11705911 | 1 | | | | •Valve..... | •Soupape | •Ventil | •Valvula | •Ventil..... | | |
| 5 | VOE 11705910 | 1 | | | | •O-ring..... | •Joint Torique | •O-Ring..... | •Junta torica | •O-ring..... | | |
| 6 | VOE 11705909 | 1 | | | | •Cap | •Chapeau | •Kappe | •Caperuza | •Lock..... | | |
| | VOE 11708377 | 1 | | | | •Nipple | •Raccord | •Nippel..... | •Niple..... | •Nippel..... | | |

| | | | | |
|---|--|-----------------------|----------------|------------|
| 1 | | Luftrenare | Catalogue id | Group |
| 2 | | Filtro de aire | 20007 | 256 |
| 3 | | Luftfilter | Illustr. No | Section |
| 4 | | Purificateur d'air | LH487A | 150 |
| 5 | | Air filter | Issue | Page |
| | | STD, OPEN ROPS | VOE 63D9920007 | 105 |

VOLVO

L90E



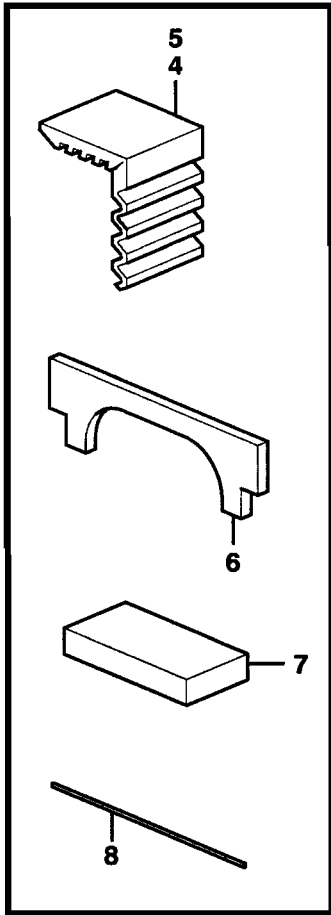
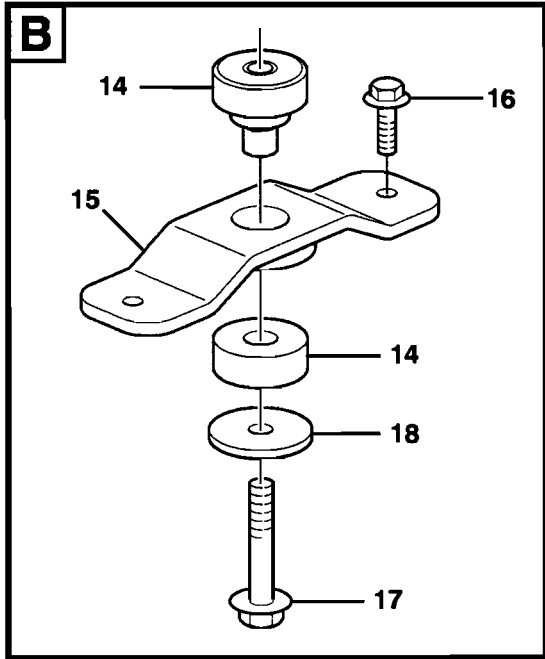
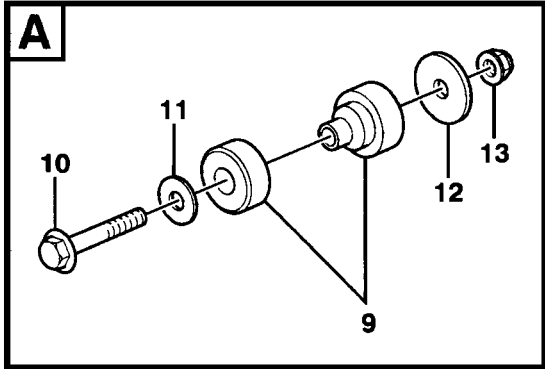
Volvo Construction
 Equipment
 1009265

| Fig. | Part No. | Quantity | | | P S | K T | Description | Dénomination | Bezeichnung | Denominación | Benämning | Notes |
|------|--------------|----------|---|---|--------|-----------------------|--------------------------|-----------------------|-----------------------|--------------------|-------------------------|-------|
| | | 1 | 2 | 3 | | | | | | | | |
| 1 | | 1 | | | | Turbo..... | Turbo..... | Turbo..... | Turbo..... | Turbo..... | See group 255, Page 101 | |
| 2 | VOE 11110354 | 1 | | | | Charge Air Hose | Flexible d'air de surali | Ladeluftschl. | Mang Carga Aire | Laddluftslang..... | | |
| 3 | VOE 1544730 | 2 | | | | Hose Clamp | Collier Serrage | Schlauchschelle | Abraz Manguera..... | Slangklamma..... | | |
| 4 | VOE 11173932 | 1 | | | | Attachment..... | Fixation | Halterung..... | Fijacion..... | Fäste..... | | |
| 5 | VOE 930436 | 1 | | | | Spacer Ring | Bagu.entretoise | Abstandring | Anillo Dist | Distansring..... | | |
| 6 | VOE 13947760 | 1 | | | | Flange screw..... | Vis à bride | Flanschschaube..... | Torn embridado..... | Flänsskruv..... | | |
| 7 | VOE 13946173 | 5 | | | | Flange screw..... | Vis à bride | Flanschschaube..... | Torn embridado..... | Flänsskruv..... | | |
| 8 | VOE 11172879 | 1 | | | | Tube..... | Tube..... | Rohr | Tube | Rör..... | | |
| 9 | VOE 11410370 | 1 | | | | Anchorage..... | Fixation | Halterung..... | Fijacion..... | Fäste..... | | |
| 10 | VOE 13960141 | 2 | | | | Washer..... | Rondelle | Scheibe | Arandela..... | Bricka..... | | |
| 11 | VOE 983245 | 2 | | | | Hexagon screw | Vis a tête hexagonale | Sechskantschr..... | Tornillo hexago..... | Sexkantsskruv..... | | |
| 12 | VOE 11110496 | 2 | | | | Hose..... | Durit | Schlauch | Tube flexible | Slang..... | (VOE 11110352) | |
| 13 | VOE 1675066 | 1 | | | | Sealing ring | Bague d'étanchéité ... | Runddichtring | Anillo reten | Tätningring..... | | |
| 14 | VOE 1676424 | 5 | | | | Clamp..... | Pince Serrage | Klemme | Abrazadera..... | Klämma..... | | |
| 15 | VOE 13948356 | 7 | | | | Flange screw..... | Vis à bride | Flanschschaube..... | Torn embridado..... | Flänsskruv..... | | |
| 16 | VOE 11172451 | 1 | | | | Pipe Bend | Coude | Rohrkrümmer | Acodadura..... | Rörböj..... | | |
| 17 | VOE 11173523 | 1 | | | | Tube..... | Tube..... | Rohr | Tube | Rör..... | | |
| 18 | VOE 11172926 | 1 | | | | Anchorage..... | Fixation | Halterung..... | Fijacion..... | Fäste..... | | |
| 19 | VOE 13945444 | 4 | | | | Flange screw..... | Vis à bride | Flanschschaube..... | Torn embridado..... | Flänsskruv..... | | |
| 20 | VOE 13965187 | 2 | | | | Flange screw..... | Vis à bride | Flanschschaube..... | Torn embridado..... | Flänsskruv..... | | |
| 21 | VOE 11110499 | 1 | | | | Charge Air Hose | Flexible d'air de surali | Ladeluftschl. | Mang Carga Aire | Laddluftslang..... | | |
| 22 | VOE 8149651 | 1 | | | | Clamp..... | Collier serrage..... | Klemme | Abrazadera..... | Klamma..... | | |

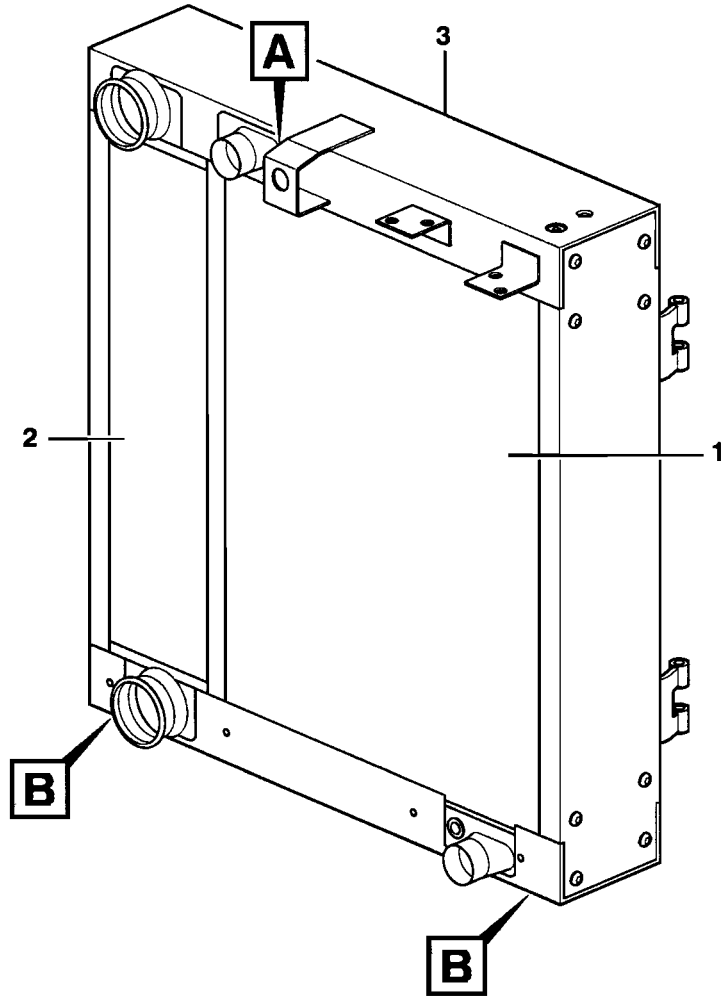
| | | | | |
|---|--|-----------------------------|----------------|---------|
| 1 | | Laddluftkylare | Catalogue id | Group |
| 2 | | Intercooler | 20007 | 258 |
| 3 | | Intercooler | Illustr. No | Section |
| 4 | | Refroidisseur intermédiaire | 1009265 | 100 |
| 5 | | Intercooler | Issue | Page |
| | | STD, OPEN ROPS | VOE 63D9920007 | 107 |

VOLVO

L90E



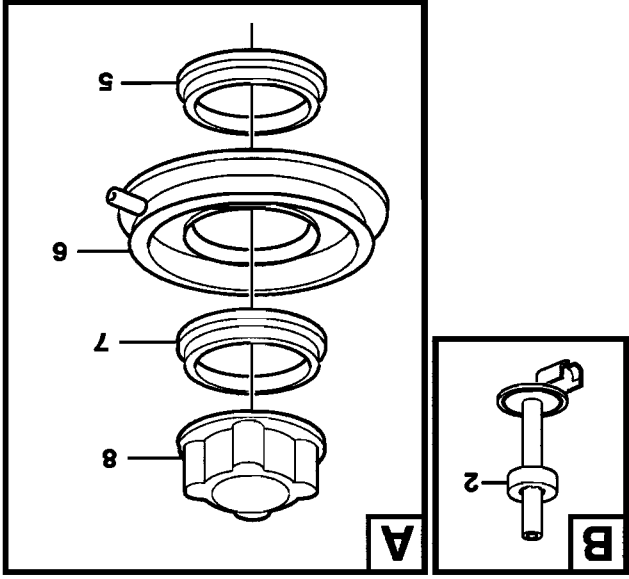
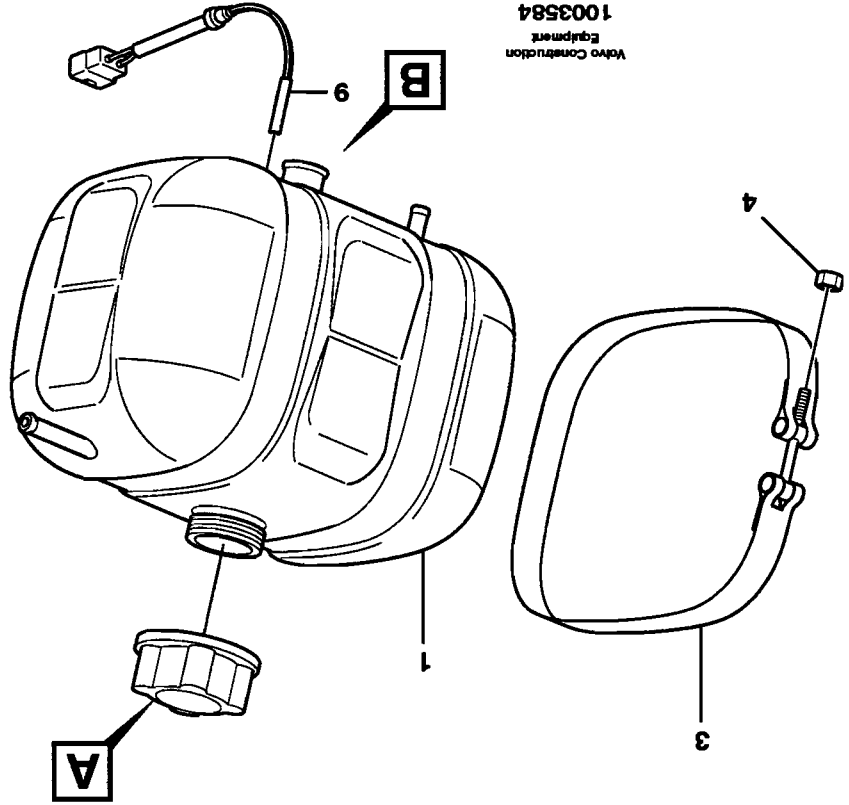
Volvo Construction
Equipment
1009298



| Fig. | Part No. | Quantity | | | P S | K I T | Description | Dénomination | Bezeichnung | Denominación | Benämning | Notes |
|------|--------------|----------|----|---|--------|-----------------------|-------------------------|-----------------------|--------------------------|----------------------|----------------|-------|
| | | 1 | 2 | 3 | | | | | | | | |
| | | 1 | | | NS | Radiator | Radiateur | Radiator..... | Radiador..... | Radiator..... | | |
| | | | 1 | | NS | Radiator | Radiateur | Radiator..... | Radiador..... | Radiator..... | | |
| 1 | VOE 11110527 | 1 | | | | •Radiator | •Radiateur | •Radiator | •Radiador | •Radiator..... | | |
| | VOE 11110528 | | 1 | | | •Radiator | •Radiateur | •Radiator | •Radiador | •Radiator..... | | |
| 2 | VOE 11110377 | 1 | | | | •Chg Air Cooler | •Refoi.air Sural | •Ladeluftkuhler | •Enfriador Air Car | •Laddluftkylare..... | | |
| | VOE 11110379 | | 1 | | | •Chg Air Cooler | •Refoi.air Sural | •Ladeluftkuhler | •Enfriador Air Car | •Laddluftkylare..... | | |
| 3 | VOE 11110526 | 1 | 1 | | | •Frame | •Chassis | •Rahmen | •Bastidor..... | •Ram..... | | |
| 4 | VOE 11110535 | 12 | 12 | | | •Rubber Plate..... | •Plaque Caoutchouc .. | •Gummiplatte..... | •Placa Goma | •Gummiplatta..... | | |
| 5 | VOE 11110520 | 8 | 8 | | | •Rubber Plate..... | •Plaque Caoutchouc .. | •Gummiplatte..... | •Placa Goma | •Gummiplatta..... | | |
| 6 | VOE 11110534 | 4 | 4 | | | •Rubber Plate..... | •Plaque Caoutchouc .. | •Gummiplatte..... | •Placa Goma | •Gummiplatta..... | | |
| 7 | VOE 11110525 | 2 | 2 | | | •Rubber Seal..... | •Lèvre Caoutchouc..... | •Gummilippe..... | •Labio Goma | •Gummiläpp..... | | |
| 8 | VOE 11110522 | 2 | 2 | | | •Sealing Strip | •Ruban Etanche | •Dichtstreifen | •Cinta Reten | •Tättningsband..... | | |
| 9 | VOE 14264044 | 1 | | | | Rubber Damper | Amortis.caoutc. | Gummidämpfer | Amortig Goma | Gummidämpare..... | | |
| 10 | VOE 13965196 | 1 | | | | Screw | Vis | Schraube..... | Tornillo | Skruv..... | | |
| 11 | VOE 13960145 | 2 | | | | Washer..... | Rondelle | Scheibe | Arandela | Bricka..... | | |
| 12 | VOE 11173827 | 1 | | | | Washer..... | Rondelle | Scheibe | Arandela | Bricka..... | | |
| 13 | VOE 971099 | 1 | | | | Flange Lock Nut..... | Contre écrou bride | Flanschmutter | Contratuer Embr..... | Flänslåsmutter..... | (VOE 13971099) | |
| 14 | VOE 14264045 | 2 | | | | Rubber Damper | Amortis.caoutc. | Gummidämpfer | Amortig Goma | Gummidämpare..... | | |
| 15 | VOE 11410133 | 2 | | | | Attachment..... | Fixation | Halterung..... | Fijacion | Fäste..... | | |
| 16 | VOE 13965192 | 4 | | | | Flange screw..... | Vis à bride | Flanschschrabe..... | Torn embridado..... | Flänsskruv..... | | |
| 17 | VOE 968298 | 2 | | | | Flange screw..... | Vis à bride | Flanschschrabe..... | Torn embridado..... | Flänsskruv..... | | |
| 18 | VOE 11173828 | 2 | | | | Washer..... | Rondelle | Scheibe | Arandela | Bricka..... | | |

| | | | | |
|---|----------------|---|----------------|------------|
| 1 | STD, OPEN ROPS | Kylare med monteringsdetaljer Radiador con accesorios de montaje Kühler mit Anbauteilen Radiateur avec pièces de montage Radiator with fitting parts | Catalogue id | Group |
| 2 | 80801 | | 20007 | 261 |
| 3 | | | Illustr. No | Section |
| 4 | | | 1009298 | 100 |
| 5 | | | Issue | Page |
| | | VOE 63D9920007 | 109 | |

Volvo Construction
Equipment
1003584

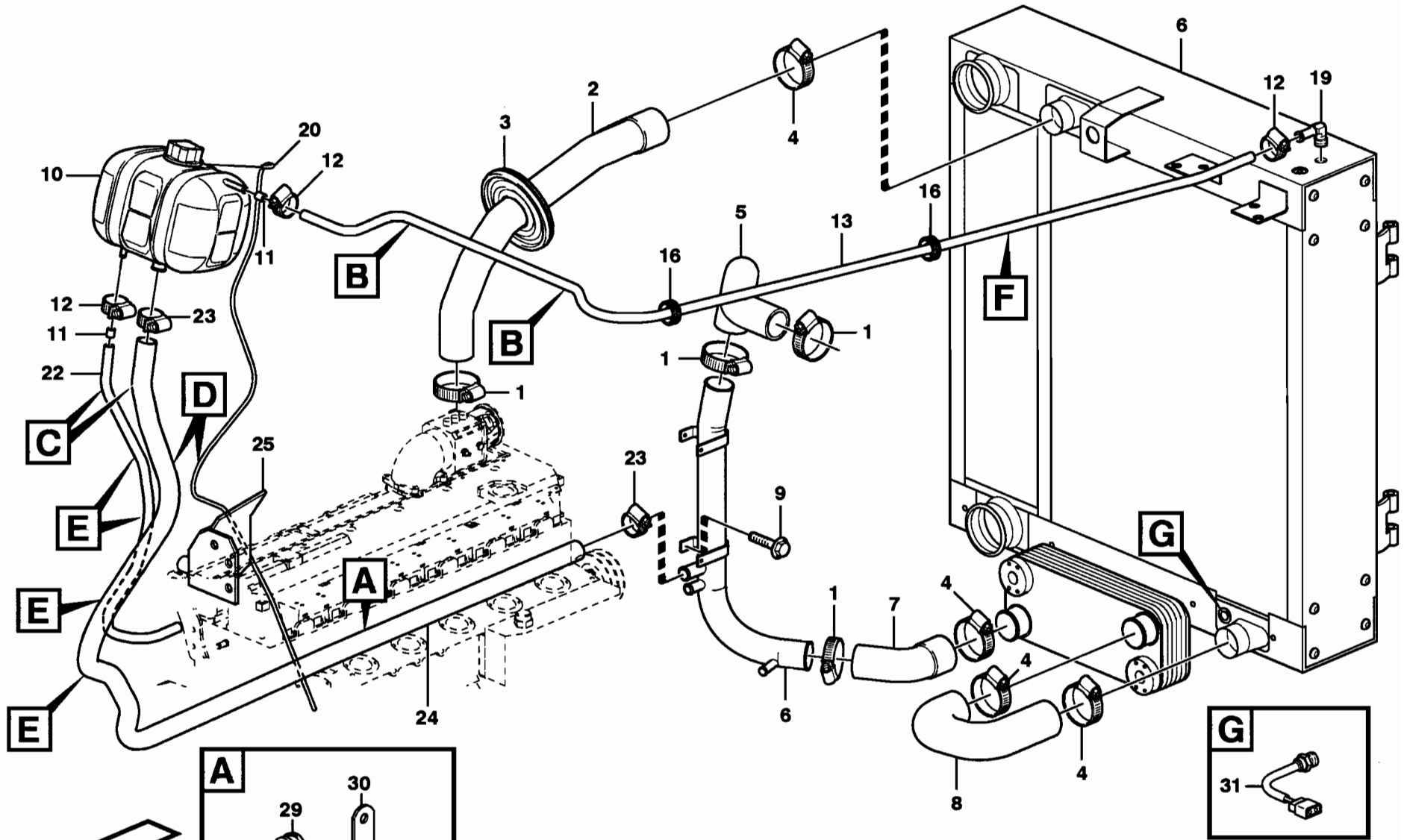


| Fig. | Part No. | Quantity | | | P S | K I T | Description | Dénomination | Bezeichnung | Denominación | Benämning | Notes |
|------|--------------|----------|---|---|--------|-------------|-----------------------|--------------------------|----------------------|-----------------------|---------------------|--------|
| | | 1 | 2 | 3 | | | | | | | | |
| 1 | VOE 11110410 | 1 | | | | | Expansion Tank | Vase Expansion | Dehngefäß | Tanque Expansio | Expansionskärl..... | |
| 2 | VOE 11110409 | 1 | | | | | •Anchorage | •Fixation | •Halterung | •Fijacion..... | •Fäste..... | |
| 3 | VOE 4804563 | 2 | | | | | Tensioning Band | Ruban Serrage..... | Spannband..... | Cinta Tensora..... | Spännband..... | |
| 4 | VOE 13949874 | 2 | | | | | Flange Lock Nut..... | Contre écrou bride | Flanschmutter | Contratuer Embr..... | Flänslåsmutter..... | |
| 5 | VOE 4804409 | 1 | | | | | Sealing ring | Bague d'étanchéité | Runddichtring | Anillo reten | Tättningsring..... | |
| 6 | VOE 4804414 | 1 | | | | | Collar..... | Collier..... | Bördel..... | Collar..... | Krage..... | |
| 7 | VOE 4804410 | 1 | | | | | Sealing ring | Bague d'étanchéité | Runddichtring | Anillo reten | Tättningsring..... | |
| 8 | VOE 1542591 | 1 | | | | | Pressure Cap | Boucho.pression | Druckverschluss..... | Tapa Presion..... | Trycklock..... | |
| 9 | VOE 11170064 | 1 | | | | | Level Guard | Temoin Niveau..... | Niveauewächter | Monitor Nivel | Nivåvakt..... | SE2603 |

| | | | |
|---|--|-----------------------|------------|
| 1 | Expansionstank med monteringsdetaljer Depósito de expansion con accesorios de montaje Ausgleichbehälter mit Anbauteilen Recipient d'expansion avec pièces de montage Expansion tank with fitting parts STD, OPEN ROPS | Catalogue id | Group |
| 2 | | 20007 | 261 |
| 3 | | Illustr. No | Section |
| 4 | | 1003584 | 150 |
| 5 | | Issue | Page |
| | | VOE 63D9920007 | 111 |

VOLVO

L90E



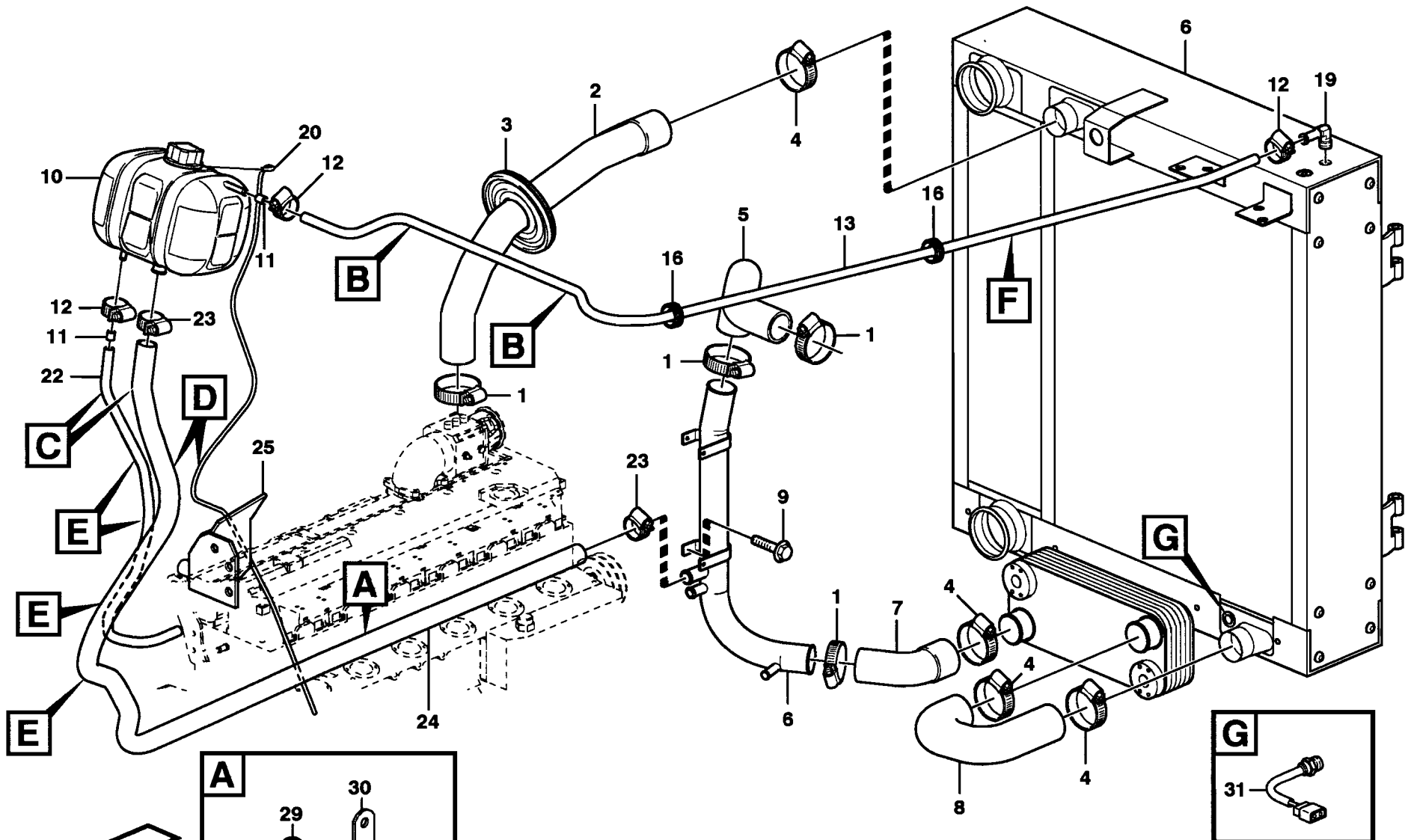
Valvo Construction
Equipment
1003455

| Fig. | Part No. | Quantity | | | P S | K I T | Description | Dénomination | Bezeichnung | Denominación | Benämning | Notes |
|------|--------------|----------|---|---|--------|----------------------|-----------------------|----------------------|--------------------------|----------------------|-------------------------|-------|
| | | 1 | 2 | 3 | | | | | | | | |
| 1 | VOE 943479 | 4 | | | | Hose Clamp | Collier Serrage | Schlauchschele | Abraz Manguera | Slangklamma | | |
| 2 | VOE 11172886 | 1 | | | | Radiator Hose | Durit Radiateur | Kuhlerschlauch | Manguera Radiad | Kylarslang | | |
| 3 | VOE 11148867 | 1 | | | | Grommet | Passe fil | Durchführung | Aislador pasapanel | Genomföring | | |
| 4 | VOE 943480 | 4 | | | | Hose Clamp | Collier Serrage | Schlauchschele | Abraz Manguera | Slangklamma | | |
| 5 | VOE 11180702 | 1 | | | | Radiator Hose | Durit Radiateur | Kuhlerschlauch | Manguera Radiad | Kylarslang | | |
| 6 | VOE 11180528 | 1 | | | | Pipe | Canalisation | Rohrleitung | Canalizacion | Rör | | |
| 7 | VOE 11172445 | 1 | | | | Radiator Hose | Durit Radiateur | Kuhlerschlauch | Manguera Radiad | Kylarslang | | |
| 8 | VOE 11172882 | 1 | | | | Radiator Hose | Durit Radiateur | Kuhlerschlauch | Manguera Radiad | Kylarslang | | |
| 9 | VOE 946470 | 2 | | | | Flange screw | Vis à bride | Flanschschrabe | Torn embridado | Flänsskruv | | |
| 10 | | 1 | | | | Expansion Tank | Vase Expansion | Dehngefäß | Tanque Expansio | Expansionskärl | See group 261, Page 111 | |
| 11 | VOE 11033572 | 2 | | | | Restrictor | Etrangleur | Drosselung | Estrangulacion | Strypning | | |
| 12 | VOE 943471 | 4 | | | | Hose Clamp | Collier Serrage | Schlauchschele | Abraz Manguera | Slangklamma | | |
| 13 | VOE 943367 | REQ | | | | Hose | Durit | Schlauch | Tubo flexible | Slang | L = 1700MM | |
| 14 | VOE 946440 | 3 | | | | Flange screw | Vis à bride | Flanschschrabe | Torn embridado | Flänsskruv | | |
| 15 | VOE 977742 | 2 | | | | Clamp | Pince Serrage | Klemme | Abrazadera | Klämma | | |
| 16 | VOE 961960 | 2 | | | | Grommet | Passe fil | Durchführung | Aislador pasapanel | Genomföring | | |
| 17 | VOE 952630 | 1 | | | | Clamp | Pince Serrage | Klemme | Abrazadera | Klämma | | |
| 18 | VOE 13965175 | 1 | | | | Screw | Vis | Schraube | Tornillo | Skruv | | |
| 19 | VOE 942758 | 1 | | | | Nipple | Raccord | Nippel | Niple | Nippel | | |
| 20 | VOE 941363 | REQ | | | | Hose | Durit | Schlauch | Tubo flexible | Slang | L = 1500 MM | |
| 21 | VOE 4881440 | 4 | | | | Strip Clamp | Ruban Serrage | Kabelbinder | Abraz Cinta | Bandklamma | | |
| 22 | VOE 943367 | REQ | | | | Hose | Durit | Schlauch | Tubo flexible | Slang | L = 820 MM | |
| 23 | VOE 943475 | 2 | | | | Hose Clamp | Collier Serrage | Schlauchschele | Abraz Manguera | Slangklamma | | |
| 24 | VOE 4856263 | REQ | | | | Radiator Hose | Durit Radiateur | Kuhlerschlauch | Manguera Radiad | Kylarslang | L = 1600 MM | |
| 25 | VOE 11410057 | 1 | | | | Heat Shield | Pare-chaleur | Wärmeschild | Defensa Termica | Värmesköld | | |
| 26 | VOE 13946173 | 3 | | | | Flange screw | Vis à bride | Flanschschrabe | Torn embridado | Flänsskruv | | |
| 27 | VOE 13945408 | 2 | | | | Nut | Ecrou | Mutter | Tuerca | Mutter | | |
| 28 | VOE 942810 | 1 | | | | Clamp | Pince Serrage | Klemme | Abrazadera | Klämma | | |
| 29 | VOE 949850 | 3 | | | | Clamp | Pince Serrage | Klemme | Abrazadera | Klämma | | |
| 30 | VOE 13965540 | 1 | | | | Bracket | Console | Konsole | Ménsula | Konsol | | |

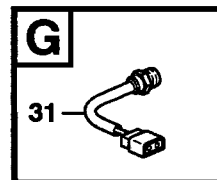
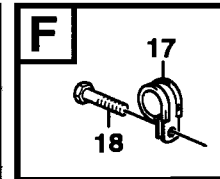
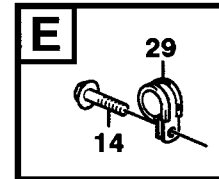
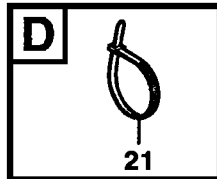
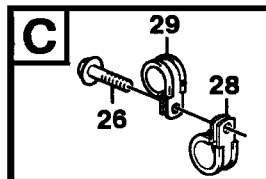
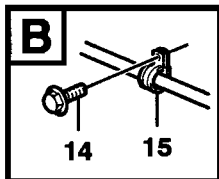
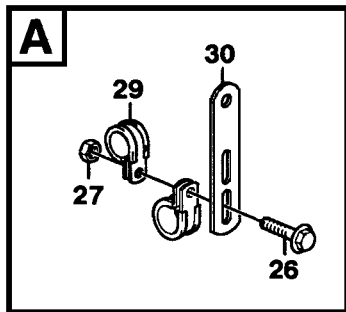
| | | | | |
|---|--|---|-----------------------|------------|
| 1 | | Kylsystem Sistema de refrigeración Kühlanlage Système de refroidissement Cooling system STD, OPEN ROPS | Catalogue id | Group |
| 2 | | | 20007 | 261 |
| 3 | | | Illustr. No | Section |
| 4 | | | 1003455 | 200 |
| 5 | | | Issue | Page |
| | | | VOE 63D9920007 | 113 |

VOLVO

L90E



Volvo Construction
Equipment
1003455

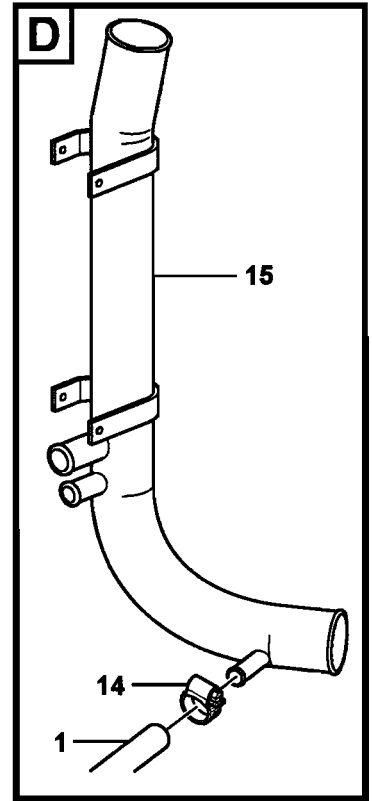
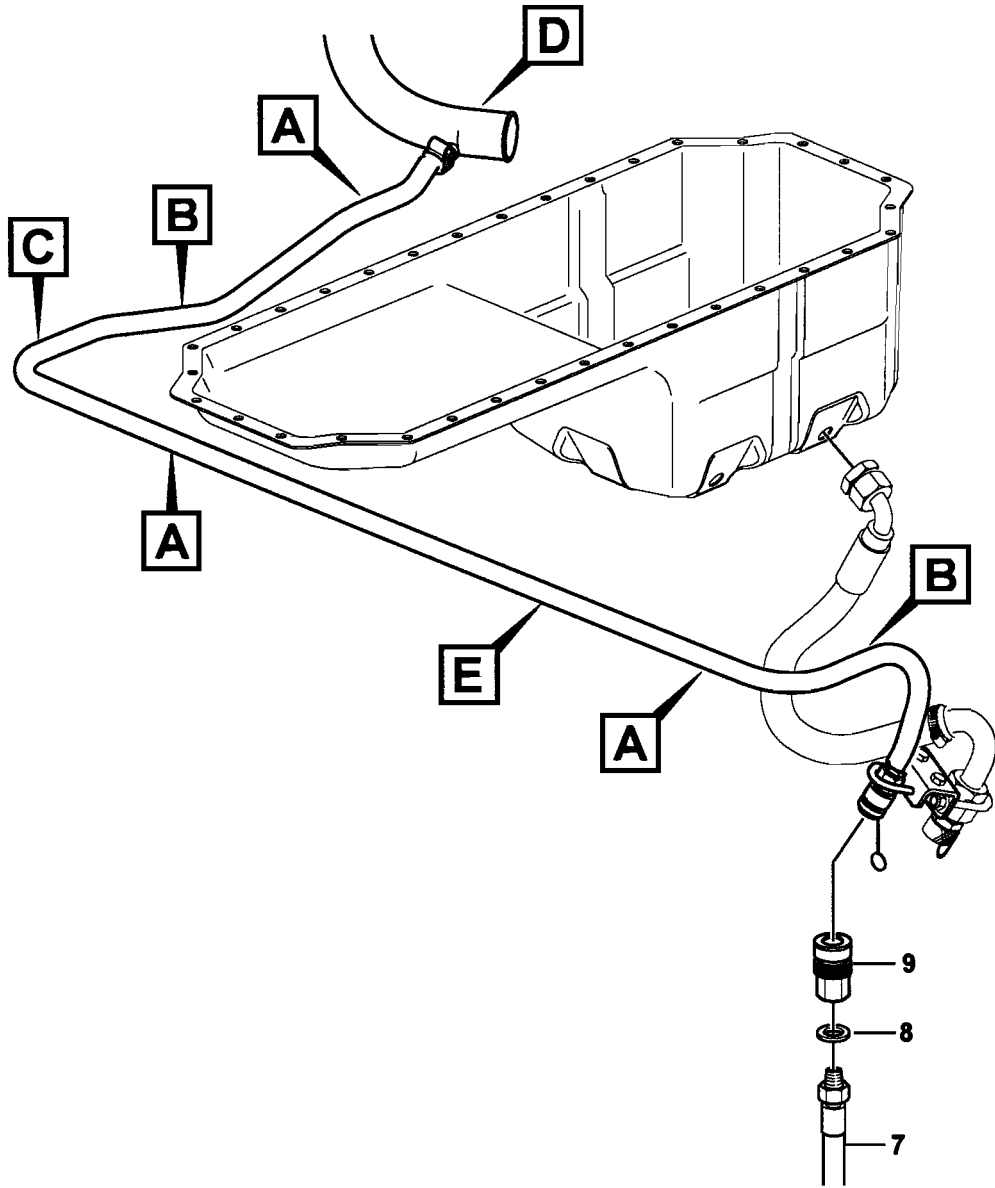
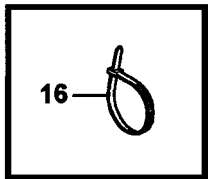
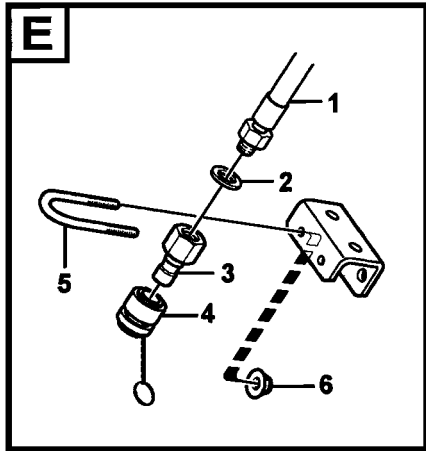
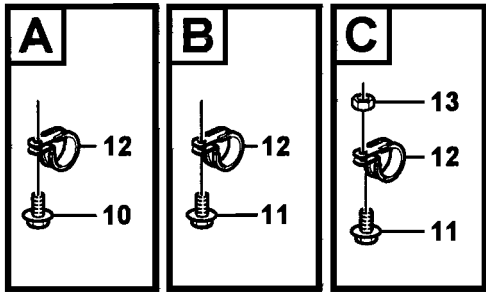


| Fig. | Part No. | Quantity | | | P S | K I T | Description | Dénomination | Bezeichnung | Denominación | Benämning | Notes |
|------|--------------|----------|---|---|--------|-------------|-------------------|----------------------|-----------------------|-----------------------|------------------|-------|
| | | 1 | 2 | 3 | | | | | | | | |
| 31 | VOÉ 11039193 | 1 | | | | | Temp Sensor | Detecteur Temp. | Temperaturgeber | Sensor Temperat | Temp Givare..... | SE210 |

| | | | | |
|---|--|---|-----------------------|------------|
| 1 | | Kylsystem Sistema de refrigeración Kühlanlage Systeme de refroidissement Cooling system STD, OPEN ROPS | Catalogue id | Group |
| 2 | | | 20007 | 261 |
| 3 | | | Illustr. No | Section |
| 4 | | | 1003455 | 200 |
| 5 | | | Issue | Page |
| | | | VOE 63D9920007 | 115 |

VOLVO

L90E



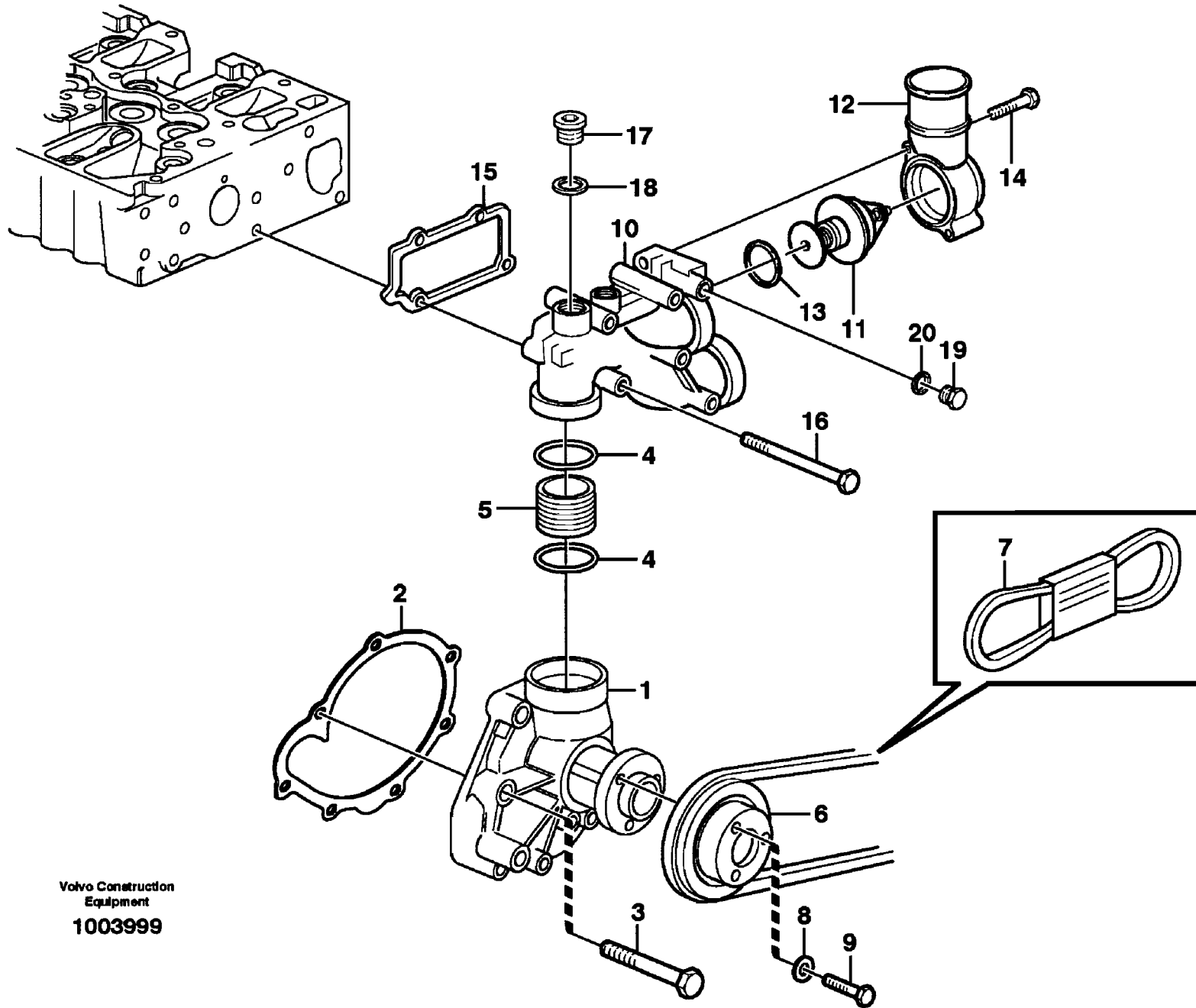
Volvo Construction
Equipment
1014229

| Fig. | Part No. | Quantity | | | P S | K T | Description | Dénomination | Bezeichnung | Denominación | Benämning | Notes |
|------|--------------|----------|---|---|--------|--------|--------------------------|---------------------------|------------------------|------------------------|-----------------------|-------|
| | | 1 | 2 | 3 | | | | | | | | |
| | VOE 11410445 | 1 | | | | | Drain Hose | Flexibl.vidange | Abflussschlauch | Manguera Drena | Avtappn.slang | |
| 1 | VOE 11410429 | 1 | | | | | •Drain Hose | •Flexibl.vidange | •Abflussschlauch | •Manguera Drena | •Avtappn.slang | |
| 2 | VOE 14042936 | 1 | | | | | •Sealing washer | •Rond.etancheite | •Dichtscheibe | •Arandela reten | •Tätningsbricka | |
| 3 | VOE 4786585 | 1 | | | | | •Insert Nipple | •Raccord Plonge | •Einstecknippel | •Niple Insercion | •Insticksnippel | |
| 4 | VOE 4881340 | 1 | | | | | •Protecting Sleeve | •Manchon Protection | •Schutzhülle | •Manguito Protec | •Skyddshylsa | |
| 5 | VOE 11130271 | 1 | | | | | Clamp | Pince Serrage | Klemme | Abrazadera | Klämma | |
| 6 | VOE 13949278 | 2 | | | | | Flange Lock Nut | Contre écrou bride | Flanschmutter | Contratuer Embr | Flänslåsmutter | |
| | VOE 11410426 | 1 | | | | | Draining Hose | Durit Drainage | Abflussschlauch | Manguera Drenaj | Dräneringsslang | |
| 7 | VOE 11410428 | 1 | | | | | •Hose | •Durit | •Schlauch | •Tubo flexible | •Slang | |
| 8 | VOE 14042936 | 1 | | | | | •Sealing washer | •Rond.etancheite | •Dichtscheibe | •Arandela reten | •Tätningsbricka | |
| 9 | VOE 4880194 | 1 | | | | | •Quick Coupling | •Accouple.rapide | •Schnellkupplung | •Acoplam Rapido | •Snabbkoppling | |
| 10 | VOE 13946173 | 2 | | | | | Flange screw | Vis à bride | Flanschschraube | Torn embridado | Flänsskruv | |
| 11 | VOE 946671 | 3 | | | | | Flange screw | Vis à bride | Flanschschraube | Torn embridado | Flänsskruv | |
| 12 | VOE 13977599 | 6 | | | | | Clamp | Pince Serrage | Klemme | Abrazadera | Klämma | |
| 13 | VOE 13945408 | 1 | | | | | Nut | Ecrou | Mutter | Tuerca | Mutter | |
| 14 | VOE 13943472 | 2 | | | | | Clamp | Pince Serrage | Klemme | Abrazadera | Klämma | |
| 15 | | 1 | | | | | Tube | Tube | Rohr | Tubo | Rör | |
| 16 | VOE 4881440 | REQ | | | | | Strip Clamp | Ruban Serrage | Kabelbinder | Abraz Cinta | Bandklamma | |

| | | | | |
|---|--|--|-----------------------|------------|
| 1 | | Kylvätskeavtappning Vaciado de refrigerante Ablassen von Kühlmittel Vidange du liquide de refroidissement Coolant drainage STD, OPEN ROPS | Catalogue id | Group |
| 2 | | | 20007 | 261 |
| 3 | | | Illustr. No | Section |
| 4 | | | 1014229 | 250 |
| 5 | | | Issue | Page |
| | | | VOE 63D9920007 | 117 |

VOLVO

L90E



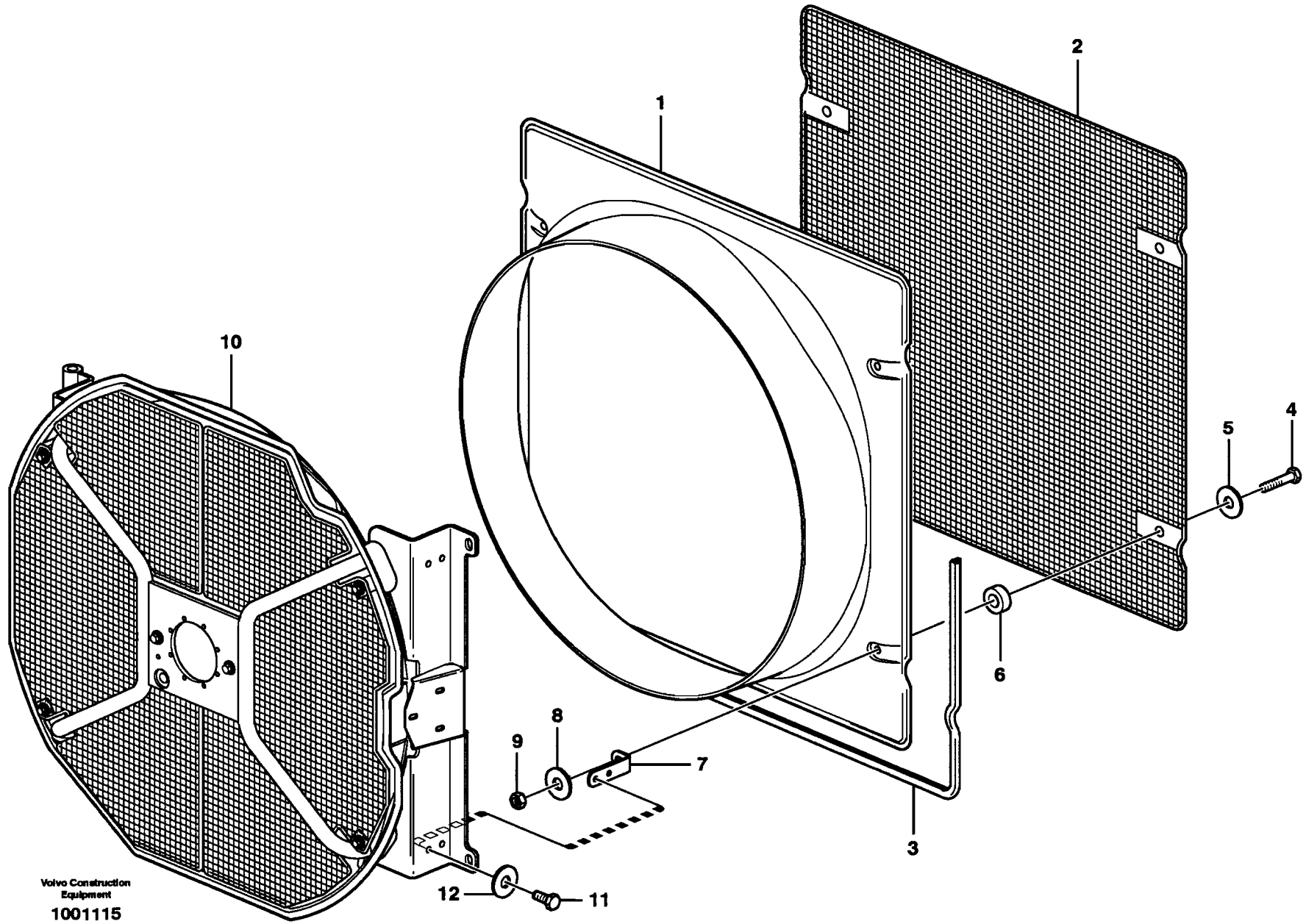
Volvo Construction
Equipment
1003999

| Fig. | Part No. | Quantity | | | P S | K T | Description | Dénomination | Bezeichnung | Denominación | Benämning | Notes |
|------|--------------|----------|---|---|--------|--------------|--------------------|-----------------|-----------------|---------------|-----------|-------|
| | | 1 | 2 | 3 | | | | | | | | |
| 1 | VOE 20464429 | 1 | | | | Water Pump | Pompe a eau | Wasserpumpe | Bomba de agua | Vattenpump | | |
| 2 | VOE 20459948 | 1 | | | | Gasket | Joint | Dichtung | Junta | Packning | | |
| 3 | VOE 20412324 | 6 | | | | Screw | Vis | Schraube | Tornillo | Skruv | | |
| 4 | VOE 11700522 | 2 | | | SS | O-ring | Joint Torique | O-Ring | Junta torica | O-ring | | |
| 5 | VOE 11700521 | 1 | | | | Sleeve | Manchon | Muffe | Manguito | Muff | | |
| 6 | VOE 20496587 | 1 | | | | Pulley | Poulie | Z-riemenscheibe | Polea Corr Dent | Kuggremhjul | | |
| 7 | VOE 978710 | 1 | | | | V-belt | Courroie Trape | Keilriemen | Correa Trapez | Kilrem | | |
| 8 | VOE 20450745 | 3 | | | | Washer | Rondelle | Scheibe | Arandela | Bricka | | |
| 9 | VOE 20405792 | 3 | | | | Screw | Vis | Schraube | Tornillo | Skruv | | |
| 10 | 20518299 | 1 | | | | Housing | Carter | Gehäuse | Carter | Hus | | |
| 11 | VOE 20450736 | 1 | | | | Thermostat | Thermostat | Thermostat | Termostato | Termostat | | |
| 12 | VOE 20450735 | 1 | | | | Outlet | Sortie | Auslass | Salida | Utlöpp | | |
| 13 | VOE 20459961 | 2 | | | | Sealing ring | Bague d'étanchéité | Runddichtring | Anillo reten | Tättningsring | | |
| 14 | VOE 20405672 | 2 | | | | Screw | Vis | Schraube | Tornillo | Skruv | | |
| 15 | VOE 20459958 | 1 | | | | Gasket | Joint | Dichtung | Junta | Packning | | |
| 16 | VOE 20459956 | 4 | | | | Screw | Vis | Schraube | Tornillo | Skruv | | |
| 17 | VOE 20459195 | 1 | | | | Plug | Bouchon | Stopfen | Tapon | Plugg | | |
| 18 | VOE 13947628 | 1 | | | | Plane Gasket | Joint Plan | Flachdichtung | Junta Plana | Planpackning | | |
| 19 | VOE 20517103 | 1 | | | | Plug | Bouchon | Stopfen | Tapon | Plugg | | |
| 20 | VOE 20459942 | 1 | | | | Sealing ring | Bague d'étanchéité | Runddichtring | Anillo reten | Tättningsring | | |

| | | | |
|---|---|----------------|------------|
| 1 | Vattenpump och termostathus Bomba de agua y caja de termostato Wasserpumpe und Thermostatgehäuse Pompe à eau et boîtier thermostat Water pump and thermostat housing | Catalogue id | Group |
| 2 | | 20007 | 262 |
| 3 | | Illustr. No | Section |
| 4 | | 1003999 | 100 |
| 5 | | Issue | Page |
| | | VOE 63D9920007 | 119 |

VOLVO

L90E



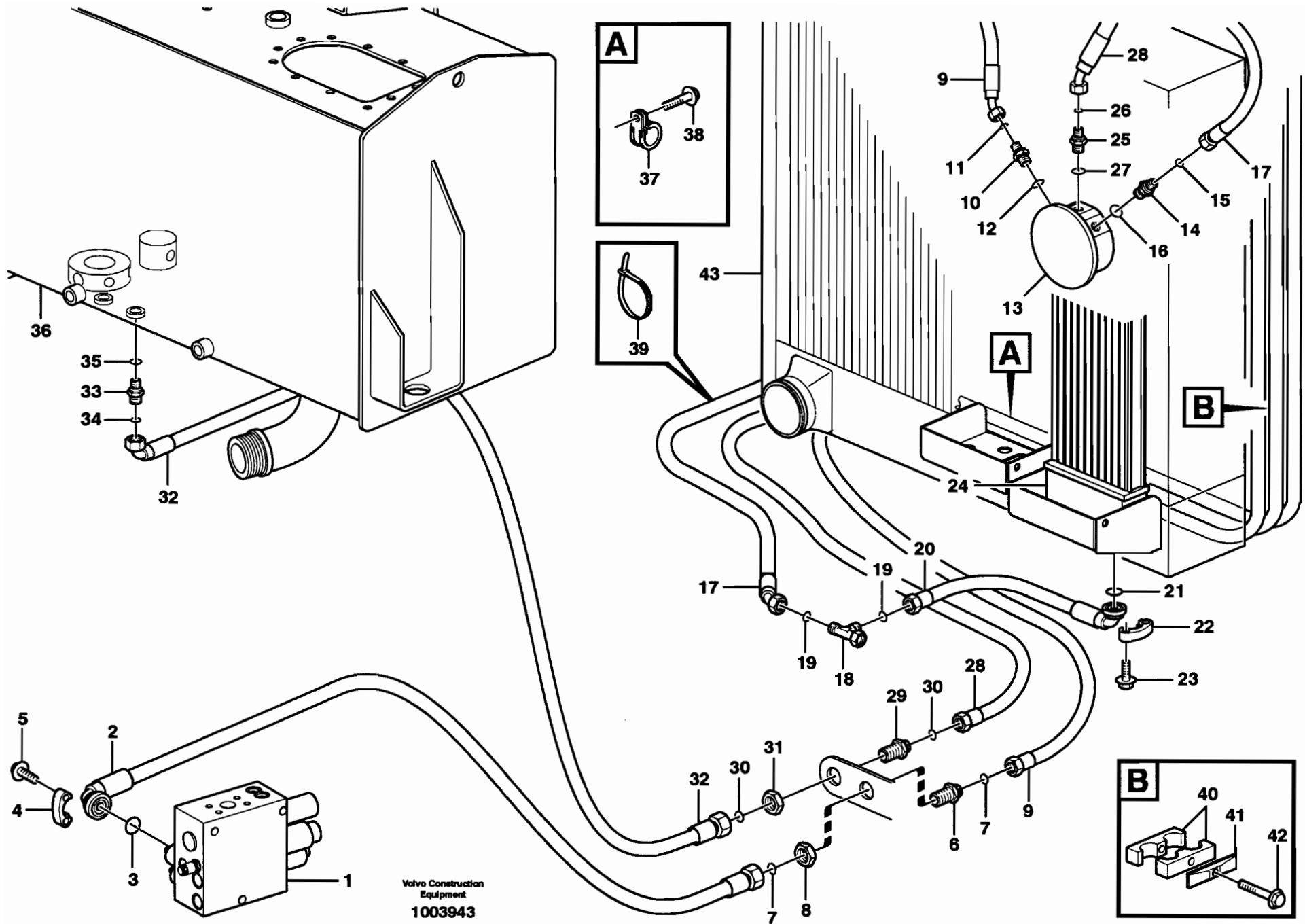
Volvo Construction
Equipment
1001115

| Fig. | Part No. | Quantity | | | P S | K I T | Description | Dénomination | Bezeichnung | Denominación | Benämning | Notes |
|------|--------------|----------|---|---|--------|-------------|---------------------|---------------------------|------------------------|--------------------------|--------------------|-------------------------|
| | | 1 | 2 | 3 | | | | | | | | |
| 1 | VOE 11413819 | 1 | | | | | Fan Shroud | Boitier Ventilateur..... | Lüfterhaube | Cubierta Ventilador | Fläktkåpa..... | |
| 2 | VOE 11175956 | 1 | | | | | Fan Protector | Protege-ventilateur..... | Lüfterverkleidung..... | Proteccion Ventilador .. | Fläktskydd..... | |
| 3 | VOE 4766526 | REQ | | | | | Sealing strip | Lisse etancheite | Dichtleiste..... | Moldura reten | Tättningslist..... | L = 3365 MM |
| 4 | VOE 13947760 | 4 | | | | | Flange screw..... | Vis à bride | Flanschschaube..... | Torn embridado..... | Flänsskruv..... | |
| 5 | VOE 13960141 | 4 | | | | | Washer..... | Rondelle..... | Scheibe | Arandela..... | Bricka..... | |
| 6 | VOE 11175960 | 4 | | | | | Spacer..... | Partie Intermédiaire..... | Zwischenstück..... | Espaciador | Mellandel..... | |
| 7 | VOE 11175961 | 4 | | | | | Attachment..... | Fixation | Halterung..... | Fijacion..... | Fäste..... | |
| 8 | VOE 13960141 | 4 | | | | | Washer..... | Rondelle..... | Scheibe | Arandela..... | Bricka..... | |
| 9 | VOE 13945408 | 4 | | | | | Nut | Ecrou..... | Mutter | Tuerca | Mutter..... | |
| 10 | | 1 | | | | | Fan Housing..... | Boit.ventilate. | Gebälgeschacht | Caja Ventil..... | Fläkthus..... | See group 263, Page 127 |
| 11 | VOE 13946173 | 8 | | | | | Flange screw..... | Vis à bride | Flanschschaube..... | Torn embridado..... | Flänsskruv..... | |
| 12 | VOE 13960141 | 7 | | | | | Washer..... | Rondelle..... | Scheibe | Arandela..... | Bricka..... | |

| | | | | |
|---|--|-------------------------------------|----------------|---------|
| 1 | | Fläkt och fläktkåpa | Catalogue id | Group |
| 2 | | Ventilador con cubierta ventiladora | 20007 | 263 |
| 3 | | Gebälse und Lüfterhaube | Illustr. No | Section |
| 4 | | Ventilateur avec carter ventilateur | 1001115 | 100 |
| 5 | | Fan and fan shroud | Issue | Page |
| | | STD, OPEN ROPS | VOE 63D9920007 | 121 |

VOLVO

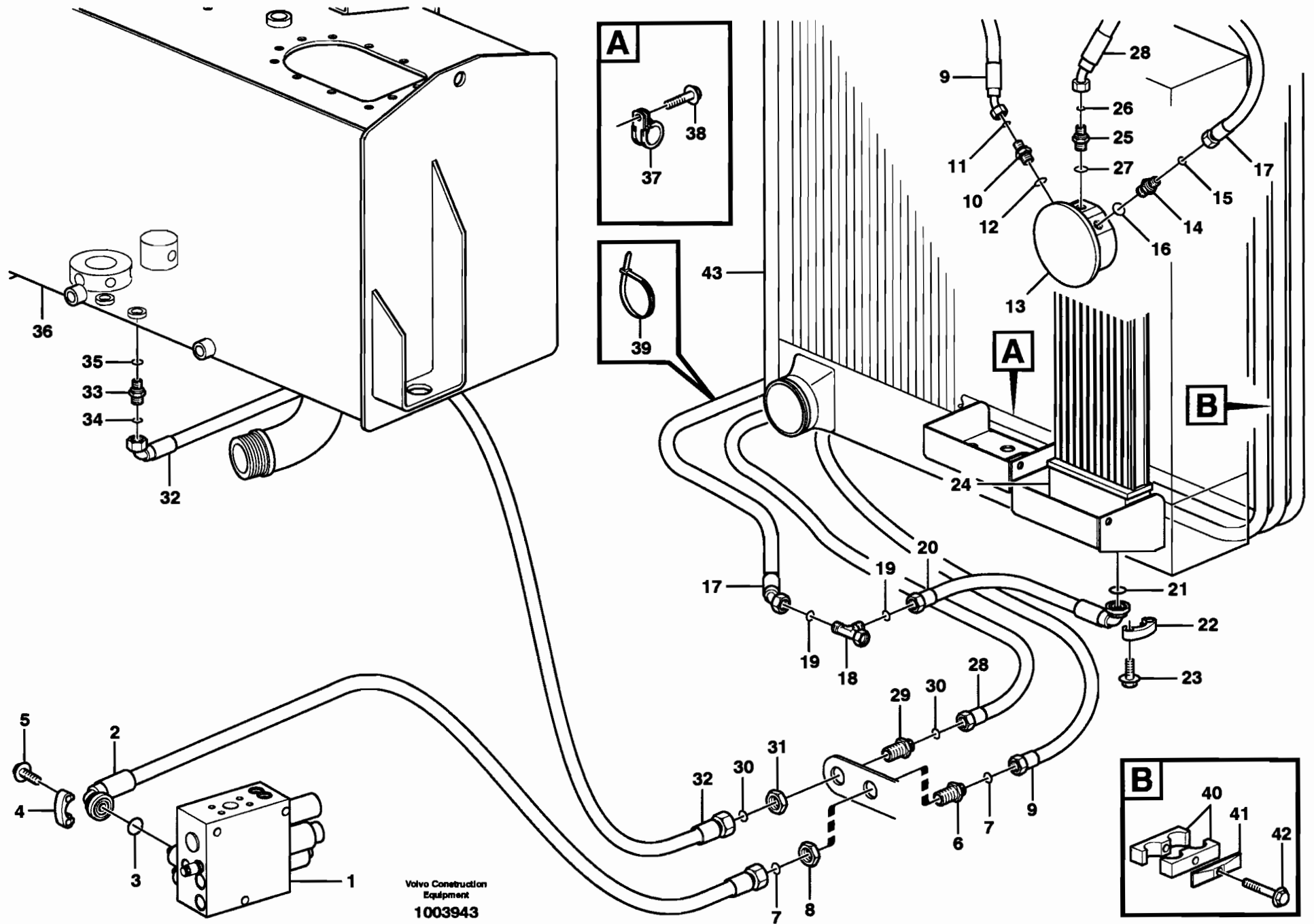
L90E



Volvo Construction
Equipment
1003943

| Fig. | Part No. | Quantity | | | P S | K I T | Description | Dénomination | Bezeichnung | Denominación | Benämning | Notes |
|------|--------------|----------|---|---|--------|----------------------|--------------------------|-----------------------|------------------------|---------------------|-------------------------|-------|
| | | 1 | 2 | 3 | | | | | | | | |
| 1 | | 1 | | | | Valve block..... | Bloc-soupape..... | Ventilblock..... | Bloque de valvula..... | Ventilblock..... | See group 911, Page 805 | |
| 2 | VOE 11173311 | 1 | | | | Hose assembly..... | Conduit flexible..... | Schlauchleitung..... | Conducto..... | Slangedning..... | | |
| 3 | VOE 13948699 | 1 | | | | O-ring..... | Joint Torique..... | O-Ring..... | Junta torica..... | O-ring..... | | |
| 4 | VOE 11015454 | 2 | | | | Flange Half..... | Demi-bride..... | Flanschhälfte..... | Media brida..... | Flänshalva..... | | |
| 5 | VOE 946472 | 4 | | | | Flange screw..... | Vis à bride..... | Flanschschraube..... | Torn embridado..... | Flänsskruv..... | | |
| 6 | VOE 13933922 | 1 | | | | Nipple..... | Raccord..... | Nippel..... | Niple..... | Nippel..... | | |
| 7 | VOE 4880493 | 2 | | | | •O-ring..... | •Joint Torique..... | •O-Ring..... | •Junta torica..... | •O-ring..... | | |
| 8 | VOE 13933867 | 1 | | | | Lock nut..... | Contre-ecrou..... | Sicherungsmutter..... | Contratuerca..... | Låsmutter..... | | |
| 9 | VOE 11172932 | 1 | | | | Hose assembly..... | Conduit flexible..... | Schlauchleitung..... | Conducto..... | Slangedning..... | | |
| 10 | VOE 13933853 | 1 | | | | Nipple..... | Raccord..... | Nippel..... | Niple..... | Nippel..... | | |
| 11 | VOE 4880493 | 1 | | | | •O-ring..... | •Joint Torique..... | •O-Ring..... | •Junta torica..... | •O-ring..... | | |
| 12 | VOE 14211863 | 1 | | | | •Sealing ring..... | •Bague d'étanchéité..... | •Runddichtring..... | •Anillo reten..... | •Tättningsring..... | | |
| 13 | | 1 | | | | Hydraulic motor..... | Moteur hydraulique..... | Hydromotor..... | Motor hidraulic..... | Hydraulmotor..... | See group 263, Page 131 | |
| 14 | VOE 13933853 | 1 | | | | Nipple..... | Raccord..... | Nippel..... | Niple..... | Nippel..... | | |
| 15 | VOE 4880493 | 1 | | | | •O-ring..... | •Joint Torique..... | •O-Ring..... | •Junta torica..... | •O-ring..... | | |
| 16 | VOE 14211863 | 1 | | | | •Sealing ring..... | •Bague d'étanchéité..... | •Runddichtring..... | •Anillo reten..... | •Tättningsring..... | | |
| 17 | VOE 11410240 | 1 | | | | Hose assembly..... | Conduit flexible..... | Schlauchleitung..... | Conducto..... | Slangedning..... | | |
| 18 | VOE 13933878 | 1 | | | | Nipple..... | Raccord..... | Nippel..... | Niple..... | Nippel..... | | |
| 19 | VOE 4880493 | 2 | | | | •O-ring..... | •Joint Torique..... | •O-Ring..... | •Junta torica..... | •O-ring..... | | |
| 20 | VOE 11173312 | 1 | | | | Hose assembly..... | Conduit flexible..... | Schlauchleitung..... | Conducto..... | Slangedning..... | | |
| 21 | VOE 948698 | 1 | | | | O-ring..... | Joint Torique..... | O-Ring..... | Junta torica..... | O-ring..... | | |
| 22 | VOE 11015453 | 2 | | | | Flange Half..... | Demi-bride..... | Flanschhälfte..... | Media brida..... | Flänshalva..... | | |
| 23 | VOE 13945444 | 4 | | | | Flange screw..... | Vis à bride..... | Flanschschraube..... | Torn embridado..... | Flänsskruv..... | | |
| 24 | | 1 | | | | Oil cooler..... | Radiateur huile..... | Ölkühler..... | Enfriador aceite..... | Oljekylare..... | See group 263, Page 123 | |
| 25 | VOE 14345423 | 1 | | | | Nipple..... | Raccord..... | Nippel..... | Niple..... | Nippel..... | | |
| 26 | VOE 4880492 | 1 | | | | •O-ring..... | •Joint Torique..... | •O-Ring..... | •Junta torica..... | •O-ring..... | | |
| 27 | VOE 14211856 | 1 | | | | •Sealing ring..... | •Bague d'étanchéité..... | •Runddichtring..... | •Anillo reten..... | •Tättningsring..... | | |
| 28 | VOE 11410241 | 1 | | | | Hose assembly..... | Conduit flexible..... | Schlauchleitung..... | Conducto..... | Slangedning..... | | |
| 29 | VOE 935425 | 1 | | | | Nipple..... | Raccord..... | Nippel..... | Niple..... | Nippel..... | | |
| 30 | VOE 4880492 | 2 | | | | •O-ring..... | •Joint Torique..... | •O-Ring..... | •Junta torica..... | •O-ring..... | | |

| | | | | |
|---|--|---|-----------------------|------------|
| 1 | | Slangar till fläktdrivning Manguera, accionamiento del ventilador Schlauch, Lüfterantrieb Commande ventilateur Hoses to fan drive STD, OPEN ROPS | Catalogue id | Group |
| 2 | | | 20007 | 263 |
| 3 | | | Illustr. No | Section |
| 4 | | | 1003943 | 125 |
| 5 | | | Issue | Page |
| | | | VOE 63D9920007 | 123 |



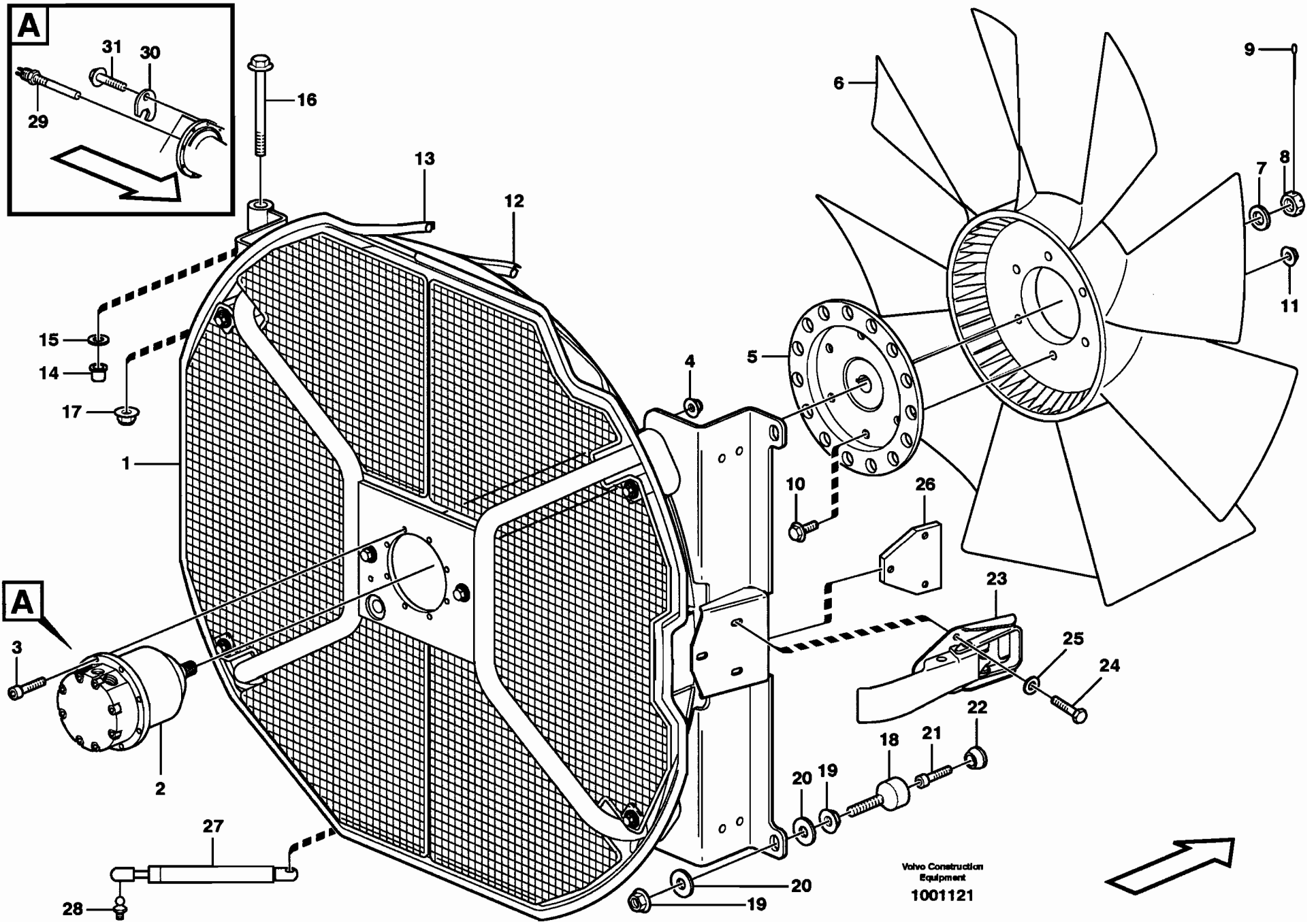
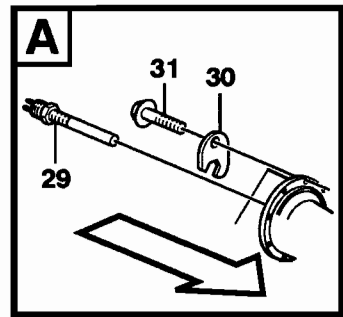
Volvo Construction
Equipment
1003943

| Fig. | Part No. | Quantity | | | P S | K T | Description | Dénomination | Bezeichnung | Denominación | Benämning | Notes |
|------|--------------|----------|---|---|--------|--------|----------------------|---------------------------|------------------------|-----------------------|----------------------|-------------------------|
| | | 1 | 2 | 3 | | | | | | | | |
| 31 | VOE 935429 | 1 | | | | | Lock nut | Contre-ecrou | Sicherungsmutter | Contratuerca | Låsmutter..... | |
| 32 | VOE 11173308 | 1 | | | | | Hose assembly | Conduit flexible | Schlauchleitung..... | Conducto | Slangledning..... | |
| 33 | VOE 13933855 | 1 | | | | | Nipple..... | Raccord..... | Nippel..... | Niple | Nippel..... | |
| 34 | VOE 4880492 | 1 | | | | | •O-ring..... | •Joint Torique | •O-Ring..... | •Junta torica | •O-ring..... | |
| 35 | VOE 14213676 | 1 | | | | | •Sealing ring..... | •Bague d'étanchéité | •Runddichtring..... | •Anillo reten | •Tätningsring..... | |
| 36 | | 1 | | | | | Hydr fluid tank..... | Reser.fluid.hy | Druckölbehälter | Dep aceite hidr | Hydrauloljetank..... | See group 911, Page 793 |
| 37 | VOE 968136 | 4 | | | | | Clamp..... | Pince Serrage | Klemme | Abrazadera..... | Klämma..... | ID = 22,2 |
| | VOE 973944 | 2 | | | | | Clamp..... | Pince Serrage | Klemme | Abrazadera..... | Klämma..... | ID = 44 |
| | VOE 13977599 | 1 | | | | | Clamp..... | Pince Serrage | Klemme | Abrazadera..... | Klämma..... | ID = 22,2 |
| 38 | VOE 13946173 | 3 | | | | | Flange screw..... | Vis à bride | Flanschschraube..... | Torn embridado..... | Flänssskruv..... | |
| 39 | VOE 4881440 | REQ | | | | | Strip Clamp | Ruban Serrage..... | Kabelbinder..... | Abraz Cinta | Bandklamma..... | |
| 40 | VOE 4881125 | 2 | | | | | Clamp..... | Pince Serrage | Klemme | Abrazadera..... | Klämma..... | |
| 41 | VOE 4880578 | 2 | | | | | Cover Plate | Protection en tole | Schutzblech..... | Placa Tapa | Täckplatta..... | |
| 42 | VOE 13948217 | 2 | | | | | Screw | Vis | Schraube..... | Tornillo | Skruv..... | |
| 43 | | 1 | | | | | Radiator | Radiateur | Kühler..... | Radiador..... | Kylare..... | See group 261, Page 109 |

| | | | | |
|---|--|---|-----------------------|------------|
| 1 | | Slangar till fläktdrivning Manguera, accionamiento del ventilador Schlauch, Lüfterantrieb Commande ventilateur Hoses to fan drive STD, OPEN ROPS | Catalogue id | Group |
| 2 | | | 20007 | 263 |
| 3 | | | Illustr. No | Section |
| 4 | | | 1003943 | 125 |
| 5 | | | Issue | Page |
| | | | VOE 63D9920007 | 125 |

VOLVO

L90E

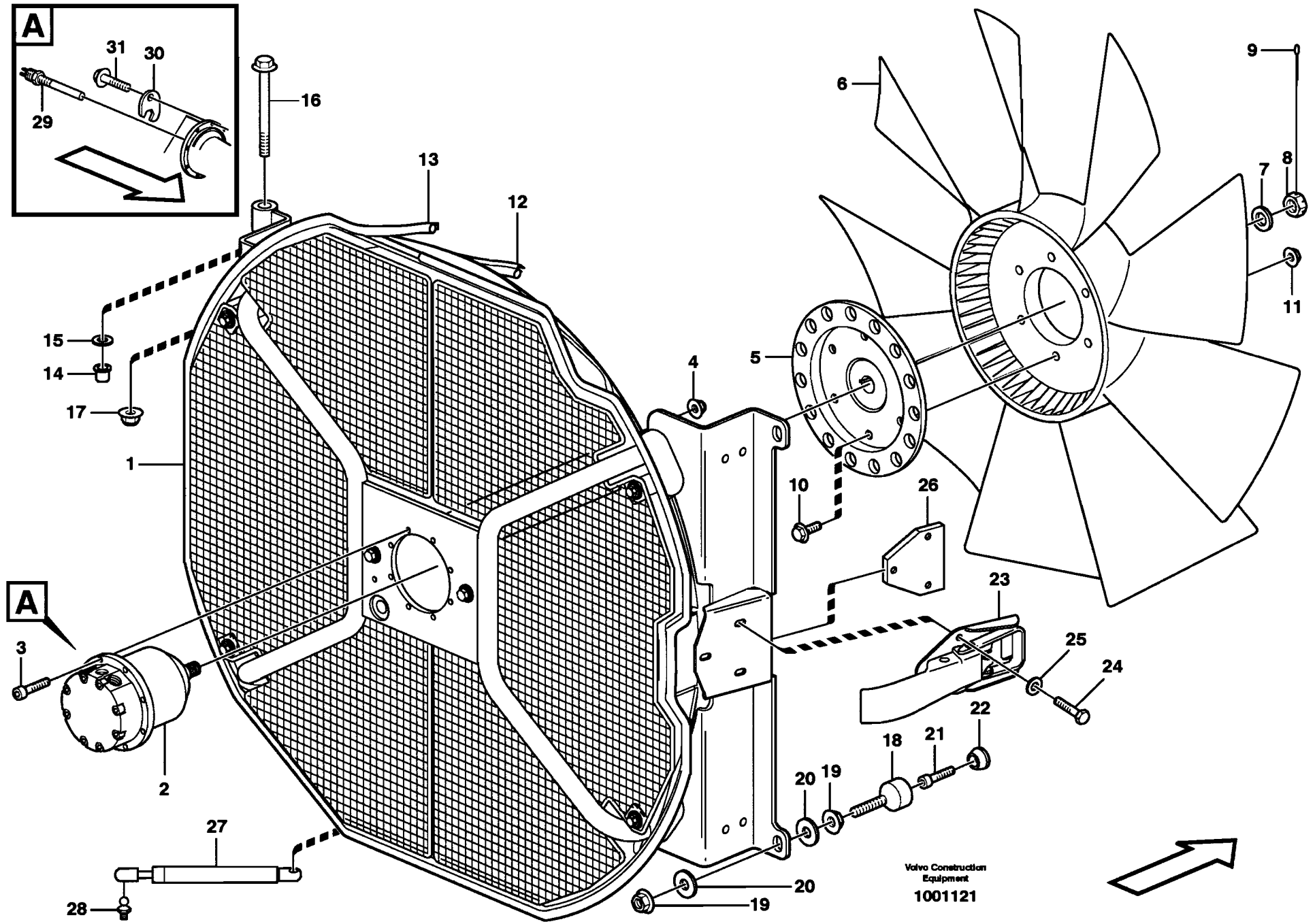
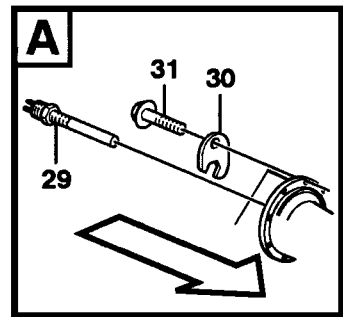


| Fig. | Part No. | Quantity | | | P S | K I T | Description | Dénomination | Bezeichnung | Denominación | Benämning | Notes |
|------|--------------|----------|---|---|--------|----------------------|-------------------------|--------------------------|-----------------------|---------------------|-------------------------|-------|
| | | 1 | 2 | 3 | | | | | | | | |
| 1 | | 1 | | | | Fan Housing..... | Boît.ventilate..... | Gebläseschacht..... | Caja Ventil..... | Fläktthus..... | See group 263, Page 135 | |
| 2 | | 1 | | | | Hydraulic motor..... | Moteur hydraulique..... | Hydraulischer Motor..... | Motor hidraulic..... | Hydraulmotor..... | See group 263, Page 127 | |
| 3 | VOE 959207 | 8 | | | | Allen Hd Screw..... | Vis A 6 Pans Cr..... | Inbusschraube..... | Torn Hex Embut..... | Insexskruv..... | | |
| 4 | VOE 13949278 | 8 | | | | Flange Lock Nut..... | Contre écrou bride..... | Flanschmutter..... | Contratuer Embr..... | Flänslåsmutter..... | | |
| 5 | VOE 11175764 | 1 | | | | Fan Hub..... | Moyeu Ventilat..... | Lufternabe..... | Cubo Ventilador..... | Fläktnav..... | | |
| 6 | VOE 3827491 | 1 | | | | Fan..... | Ventilateur..... | Ventilator..... | Ventilador..... | Fläkt..... | | |
| 7 | VOE 13955900 | 1 | | | | Washer..... | Rondelle..... | Scheibe..... | Arandela..... | Bricka..... | | |
| 8 | VOE 11174158 | 1 | | | | Castle Nut..... | Ecrou a creneau..... | Kronenmutter..... | Tuerca entallada..... | Kronmutter..... | | |
| 9 | VOE 13907851 | 1 | | | | Cotter Pin..... | Goupille Fendue..... | Splint..... | Pasador Hendido..... | Saxpinne..... | | |
| 10 | VOE 946329 | 6 | | | | Flange screw..... | Vis à bride..... | Flanschschrabe..... | Torn embridado..... | Flänsskruv..... | | |
| 11 | VOE 13971098 | 6 | | | | Flange nut..... | Ecrou accouple..... | Bundmutter..... | Tuerca embridad..... | Flänsmutter..... | | |
| 12 | | REQ | | | | Clamping Strip..... | Lisse Serrage..... | Klemmleiste..... | Liston Sujecion..... | Klämlist..... | See group 263, Page 135 | |
| 13 | | REQ | | | | Sealing strip..... | Lisse etancheite..... | Dichtleiste..... | Moldura reten..... | Tätninglist..... | See group 263, Page 135 | |
| 14 | VOE 1588548 | 4 | | | | Bushing..... | Bague..... | Buchse..... | Casquillo..... | Bussning..... | | |
| 15 | VOE 13955897 | 2 | | | | Washer..... | Rondelle..... | Scheibe..... | Arandela..... | Bricka..... | | |
| 16 | VOE 13946474 | 2 | | | | Flange screw..... | Vis à bride..... | Flanschschrabe..... | Torn embridado..... | Flänsskruv..... | | |
| 17 | VOE 971099 | 2 | | | | Flange Lock Nut..... | Contre écrou bride..... | Flanschmutter..... | Contratuer Embr..... | Flänslåsmutter..... | (VOE 13971099) | |
| 18 | VOE 11400658 | 2 | | | | Guide..... | Rail..... | Führung..... | Guia..... | Gejd..... | | |
| 19 | VOE 13971096 | 4 | | | | Flange nut..... | Ecrou accouple..... | Bundmutter..... | Tuerca embridad..... | Flänsmutter..... | | |
| 20 | VOE 13960145 | 4 | | | | Washer..... | Rondelle..... | Scheibe..... | Arandela..... | Bricka..... | | |
| 21 | VOE 959220 | 2 | | | | Allen Hd Screw..... | Vis A 6 Pans Cr..... | Inbusschraube..... | Torn Hex Embut..... | Insexskruv..... | | |
| 22 | VOE 11174484 | 2 | | | | Set Ring..... | Butee..... | Halbscheibe..... | Anillo Montaje..... | Kuts..... | | |
| 23 | VOE 11147562 | 1 | | | | Platform Catch..... | Ver.plate-forme..... | Pritschenschlos..... | Seguro Platafor..... | Flaklås..... | | |
| 24 | VOE 13946934 | 3 | | | | Screw..... | Vis..... | Schraube..... | Tornillo..... | Skruv..... | | |
| 25 | VOE 960139 | 3 | | | | Washer..... | Rondelle..... | Scheibe..... | Arandela..... | Bricka..... | | |
| 26 | VOE 11400632 | 1 | | | | Nut Plate..... | Plaque Filetee..... | Gewindeplatte..... | Placa Tuerca..... | Mutterplatta..... | | |
| 27 | VOE 11174619 | 1 | | | | Gas Spring..... | Ressort Gaz..... | Gasfeder..... | Resorte A Gas..... | Gasfjäder..... | | |
| 28 | VOE 11174821 | 2 | | | | Ball Stud..... | Axe Bille..... | Kugelzapfen..... | Gorron De Bola..... | Kultapp..... | | |
| 29 | VOE 11039557 | 1 | | | | Ind Sensor..... | Emett.induction..... | Induktionsgeber..... | Sensor Inducc..... | Indukt.givare..... | SE211 | |
| 30 | VOE 11108557 | 1 | | | | Lock Plate..... | Plaque Verroui..... | Verschl Platte..... | Placa Seguridad..... | Låsplatta..... | | |

| | | | | |
|---|--|--|-----------------------|------------|
| 1 | | Fläkt och fläktus | Catalogue id | Group |
| 2 | | Ventilador y caja | 20007 | 263 |
| 3 | | Gebläse und Gebläseschacht | Illustr. No | Section |
| 4 | | Ventilateur et carter ventilateur | 1001121 | 150 |
| 5 | | Fan and fan housing | Issue | Page |
| | | STD, OPEN ROPS | VOE 63D9920007 | 127 |

VOLVO

L90E



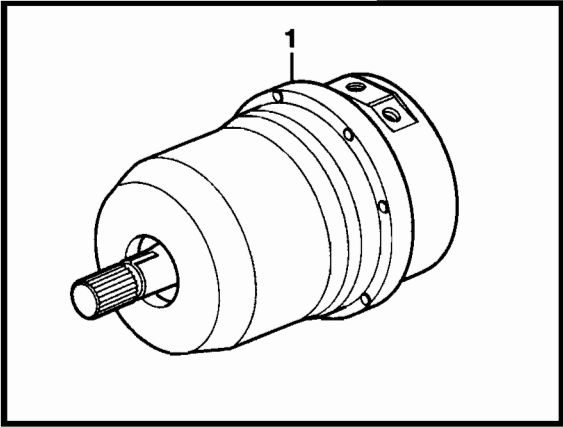
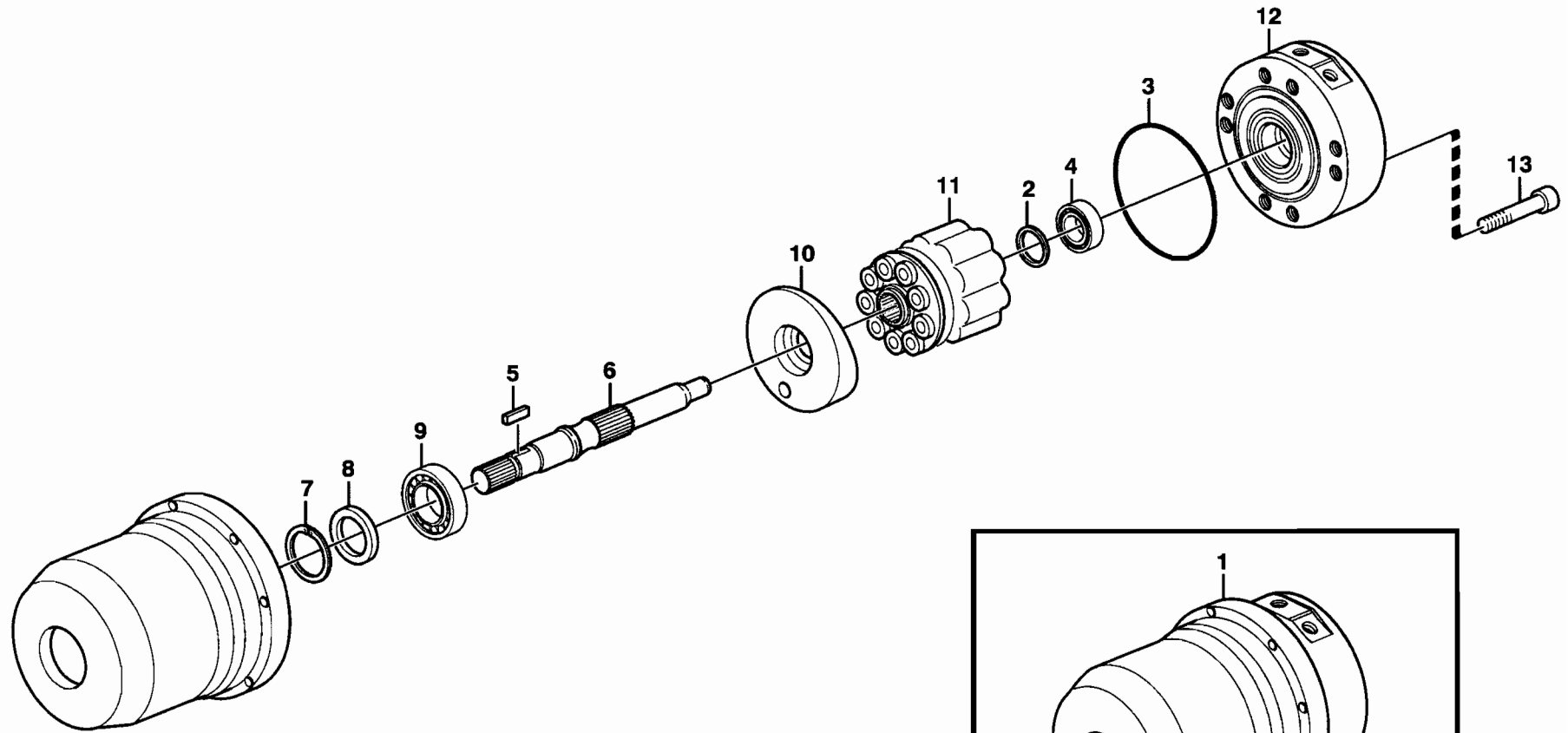
Valvo Construction
Equipment
1001121

| Fig. | Part No. | Quantity | | | P S | K I T | Description | Dénomination | Bezeichnung | Denominación | Benämning | Notes |
|------|--------------|----------|---|---|--------|-------------|-------------------|-------------------|-----------------------|---------------------|-----------------|-------|
| | | 1 | 2 | 3 | | | | | | | | |
| 31 | VOE 13946173 | 1 | | | | | Flange screw..... | Vis à bride | Flanschschraube | Torn embridado..... | Flänsskruv..... | |

| | | | | |
|---|--|---|-----------------------|------------|
| 1 | | Fläkt och fläkthus Ventilador y caja Gebälse und Gebläseschacht Ventilateur et carter ventilateur Fan and fan housing STD, OPEN ROPS | Catalogue id | Group |
| 2 | | | 20007 | 263 |
| 3 | | | Illustr. No | Section |
| 4 | | | 1001121 | 150 |
| 5 | | | Issue | Page |
| | | | VOE 63D9920007 | 129 |

VOLVO

L90E



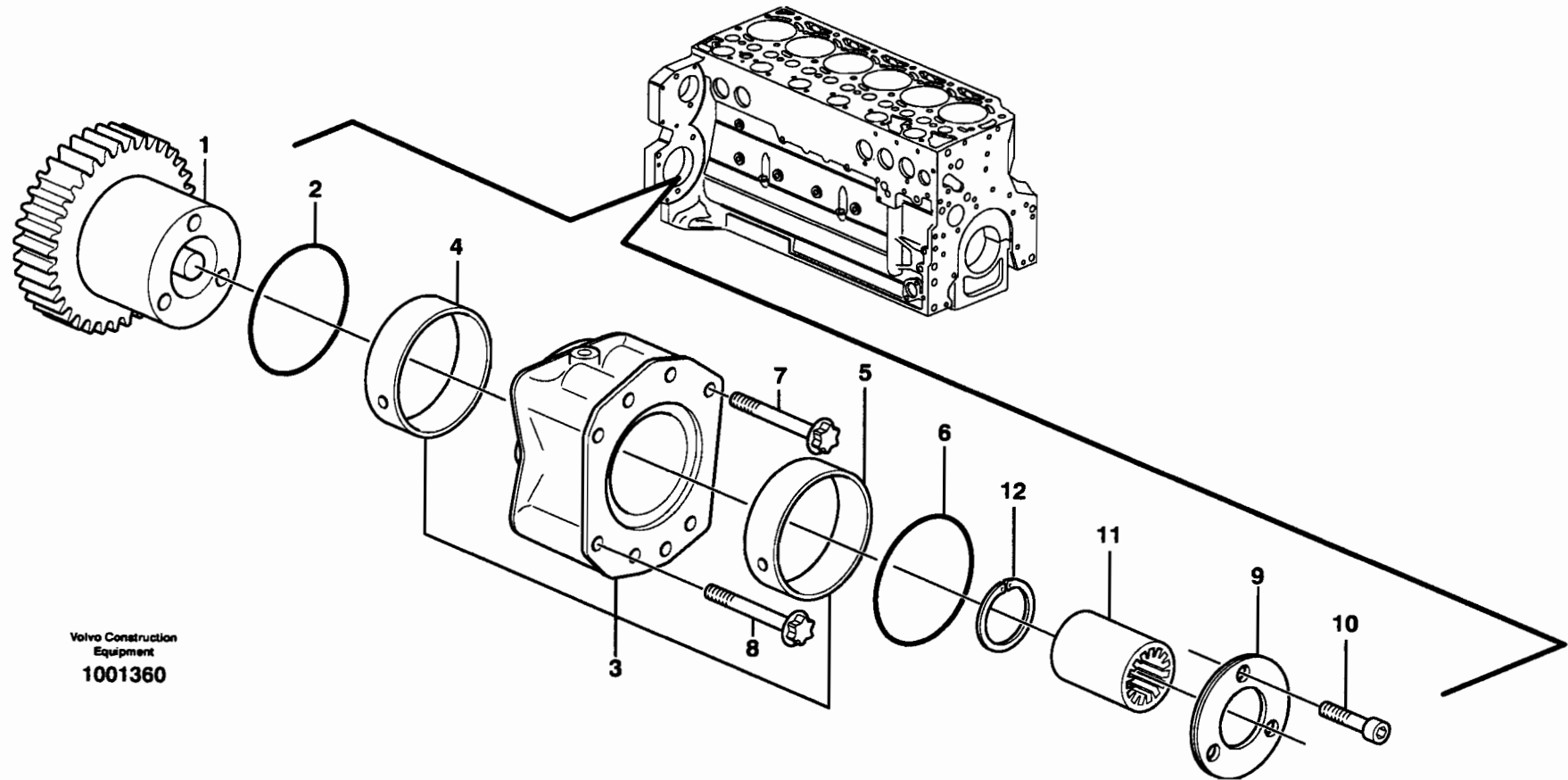
Volvo Construction
Equipment
1000251

| Fig. | Part No. | Quantity | | | P S | K I T | Description | Dénomination | Bezeichnung | Denominación | Benämning | Notes |
|------|--------------|----------|---|---|--------|-----------------------|-------------------------|-------------------------|-----------------------|-------------------|----------------|-------|
| | | 1 | 2 | 3 | | | | | | | | |
| 1 | VOE 11147935 | 1 | | | | Hydraulic motor..... | Moteur hydraulique | Hydraulischer Motor ... | Motor hidraulic..... | Hydraulmotor..... | | |
| 2 | VOE 11707893 | 1 | | | | •Shim | •Cale Reglage | •Nachstellblech..... | •Cuna de calzar | •Justerbleck..... | | |
| 3 | VOE 11707896 | 1 | | | | •O-ring..... | •Joint Torique | •O-Ring..... | •Junta torica | •O-ring..... | | |
| 4 | VOE 11707578 | 1 | | | | •Roller Bearing | •Roulement rouleaux.. | •Rollenlager..... | •Cojinet Rodillo..... | •Rullager..... | (VOE 11707894) | |
| 5 | VOE 11707892 | 1 | | | | •Key | •Clavette..... | •Keil | •Llave (cuna) | •Kil..... | | |
| 6 | VOE 11707891 | 1 | | | | •Shaft | •Arbre | •Welle | •Arbol..... | •Axel..... | | |
| 7 | VOE 11707897 | 1 | | | | •Snap Ring..... | •Circlip..... | •Nutting | •Circlip | •Spårring..... | | |
| 8 | VOE 11707895 | 1 | | | | •Seal | •Joint | •Dichtring | •Junta | •Tätning..... | | |
| 9 | VOE 11992817 | 1 | | | | •Roller Bearing | •Roulement rouleaux.. | •Rollenlager..... | •Cojinet Rodillo..... | •Rullager..... | | |
| 10 | VOE 11707890 | 1 | | | | •Control Plate | •Tole Commande | •Reglerblech..... | •Placa Mandos | •Reglageplåt..... | | |
| 11 | VOE 11707888 | 1 | | | | •Pump element | •Element Pompe | •Pumpenelement..... | •Elemento Bomba | •Pumpelement..... | | |
| 12 | VOE 11707889 | 1 | | | | •End plate | •Flasque | •Stirnwand..... | •Extremo..... | •Gavel..... | | |
| 13 | VOE 974081 | 8 | | | | •Allen Hd Screw | •Vis A 6 Pans Cr | •Inbusschraube | •Torn Hex Embut..... | •Insexskruv..... | | |

| | | | | |
|---|--|---------------------|----------------|---------|
| 1 | | Hydraulmotor | Catalogue id | Group |
| 2 | | Motor hidráulico | 20007 | 263 |
| 3 | | Hydraulischer Motor | Illustr. No | Section |
| 4 | | Moteur hydraulique | 1000251 | 200 |
| 5 | | Hydraulic motor | Issue | Page |
| | | STD, OPEN ROPS | VOE 63D9920007 | 131 |

VOLVO

L90E



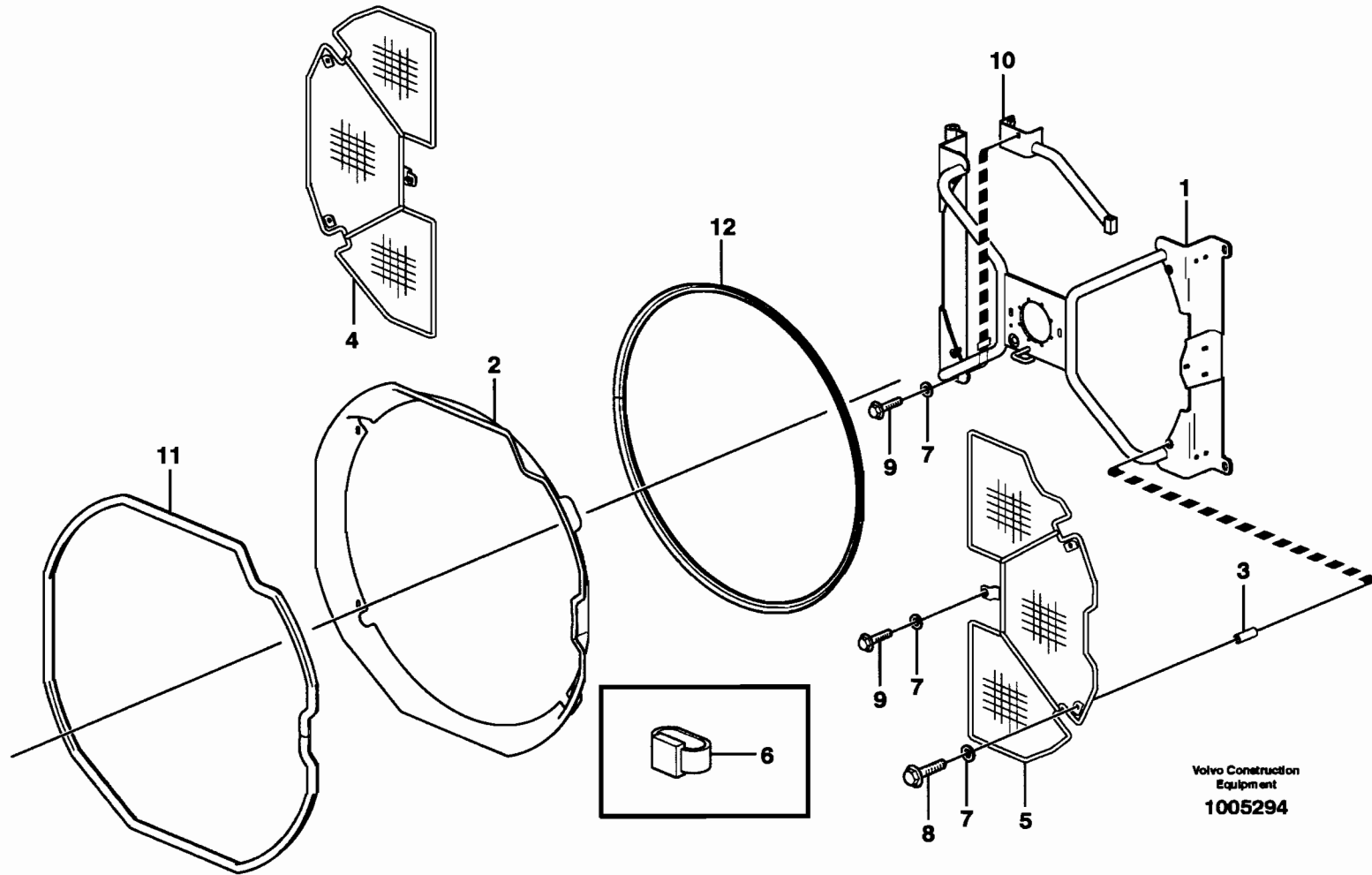
Volvo Construction
Equipment
1001360

| Fig. | Part No. | Quantity | | | P S | K T | Description | Dénomination | Bezeichnung | Denominación | Benämning | Notes |
|------|--------------|----------|---|---|--------|--------|---------------------|----------------------------|----------------------|---------------------------|-------------------|-------|
| | | 1 | 2 | 3 | | | | | | | | |
| 1 | VOE 20512957 | 1 | | | | | Gear | Pignon | Zahnrad | Engranaje | Kuggghjul | |
| 2 | VOE 20450818 | 1 | | | | | O-ring | Joint Torique | O-Ring | Junta torica | O-ring | |
| 3 | VOE 20450805 | 1 | | | | | Flange | Flasque | Flansch | Brida | Fläns | |
| 4 | VOE 20450807 | 1 | | | | | •Bushing | •Bague | •Buchse | •Casquillo | •Bussning | |
| 5 | VOE 20450809 | 1 | | | | | •Bushing | •Bague | •Buchse | •Casquillo | •Bussning | |
| 6 | VOE 11173158 | 1 | | | | | Seal | Joint | Dichtring | Junta | Tätning | |
| 7 | VOE 20450821 | 1 | | | | | Screw | Vis | Schraube | Tornillo | Skruv | |
| 8 | VOE 20450820 | 2 | | | | | Screw | Vis | Schraube | Tornillo | Skruv | |
| 9 | VOE 20450811 | 1 | | | | | Thrust Washer | Rondelle Butee | Druckscheibe | Arandela Presio | Tryckbricka | |
| 10 | VOE 20450822 | 3 | | | | | Screw | Vis | Schraube | Tornillo | Skruv | |
| 11 | VOE 20459123 | 1 | | | | | Sleeve | Douille | Kupplungsmuffe | Manguito de acoplam | Hylsa | |
| 12 | | 1 | | | NS | | •Lock ring | •Anneau verrouillage | •Schlossring | •Anillo seguridad | •Låsring | |

| | | | |
|---|--|-----------------------|------------|
| 1 | Pumpdrivning, kraftuttag Toma de fuerza para accionamiento de bomba Pumpennebenantrieb Prise de force pour l'entraînement de la pompe Pump drive power take-off | Catalogue id | Group |
| 2 | | 20007 | 263 |
| 3 | | Illustr. No | Section |
| 4 | | 1001360 | 250 |
| 5 | | Issue | Page |
| | | VOE 63D9920007 | 133 |

VOLVO

L90E



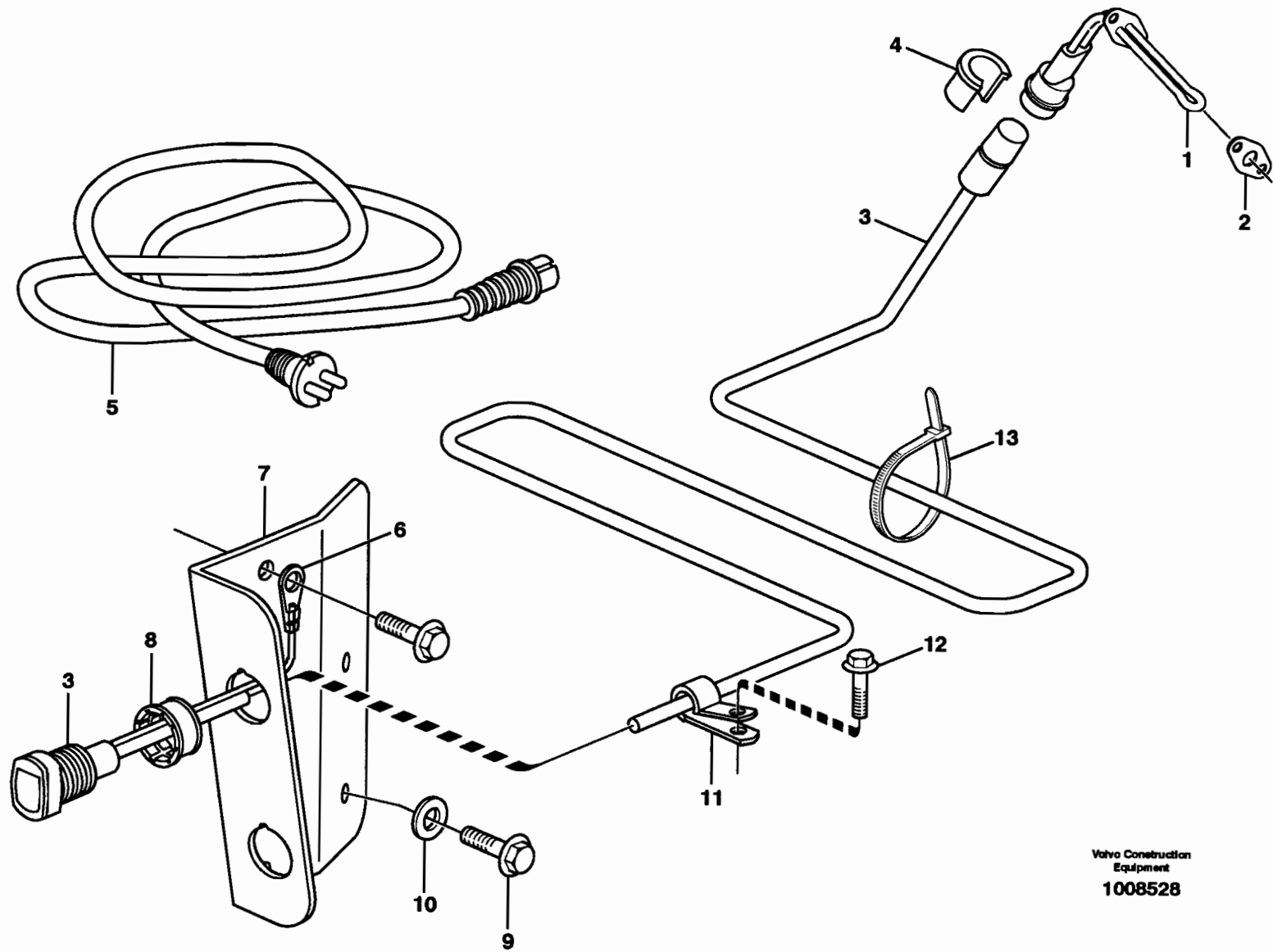
Volvo Construction
Equipment
1005294

| Fig. | Part No. | Quantity | | | P S | K I T | Description | Dénomination | Bezeichnung | Denominación | Benämning | Notes |
|------|------------------|----------|---|---|--------|-------------|----------------------|------------------------|----------------------|---------------------------|--------------------|-------------|
| | | 1 | 2 | 3 | | | | | | | | |
| | VOE 11413823 | 1 | | | | | Fan Housing..... | Boit.ventilate. | Gebälteschacht | Caja Ventil..... | Fläkthus..... | |
| 1 | VOE 11413822 | 1 | | | | | •Pipe Cross | •Croix Tubulaire | •Rohrkreuzkopf..... | •Tubo Cruzado | •Rörkors..... | |
| 2 | VOE 11400579 | 1 | | | | | •Fan ring | •Bague ventilat. | •Luferring | •Aro ventilador..... | •Fläktring..... | |
| 3 | VOE 11413199 | 4 | | | | | •Spacer | •Entretoise..... | •Abstandkörper..... | •Distanciador | •Distans..... | |
| 4 | VOE 11400639 | 1 | | | | | •Ptct Grating..... | •Grille Protect | •Schutzgitter..... | •Rejilla Protección | •Skyddsgaller..... | |
| 5 | VOE 11400640 | 1 | | | | | •Ptct Grating..... | •Grille Protect | •Schutzgitter..... | •Rejilla Protección | •Skyddsgaller..... | |
| 6 | VOE 4881440 | 2 | | | | | •Strip Clamp..... | •Ruban Serrage | •Kabelbinder..... | •Abraz Cinta | •Bandklamma..... | |
| 7 | VOE 13960141 | 8 | | | | | •Washer | •Rondelle..... | •Scheibe | •Arandela..... | •Bricka..... | |
| 8 | VOE 13965183 | 4 | | | | | •Flange screw | •Vis à bride | •Flanschschrabe..... | •Torn embridado..... | •Flänsskruv..... | |
| 9 | VOE 13946173 | 4 | | | | | •Flange screw | •Vis à bride | •Flanschschrabe..... | •Torn embridado..... | •Flänsskruv..... | |
| 10 | | 1 | | | NS | | •Anchorage | •Fixation | •Halterung | •Fijacion..... | •Fäste..... | |
| 11 | VOE 11400637 REQ | | | | | | •Sealing strip..... | •Lisse etancheite..... | •Dichtleiste | •Moldura reten..... | •Tätninglist..... | L = 2860 MM |
| 12 | VOE 14211217 REQ | | | | | | •Clamping Strip..... | •Lisse Serrage..... | •Klemmleiste | •Liston Sujecion..... | •Klämlist..... | L = 2490 MM |

| | | | | |
|---|--|---|----------------|------------|
| 1 | | Fläktskydd Protección ventilador Lüfterverkleidung Protege ventilateur Fan shroud STD, OPEN ROPS | Catalogue id | Group |
| 2 | | | 20007 | 263 |
| 3 | | | Illustr. No | Section |
| 4 | | | 1005294 | 300 |
| 5 | | | Issue | Page |
| | | | VOE 63D9920007 | 135 |

VOLVO

L90E



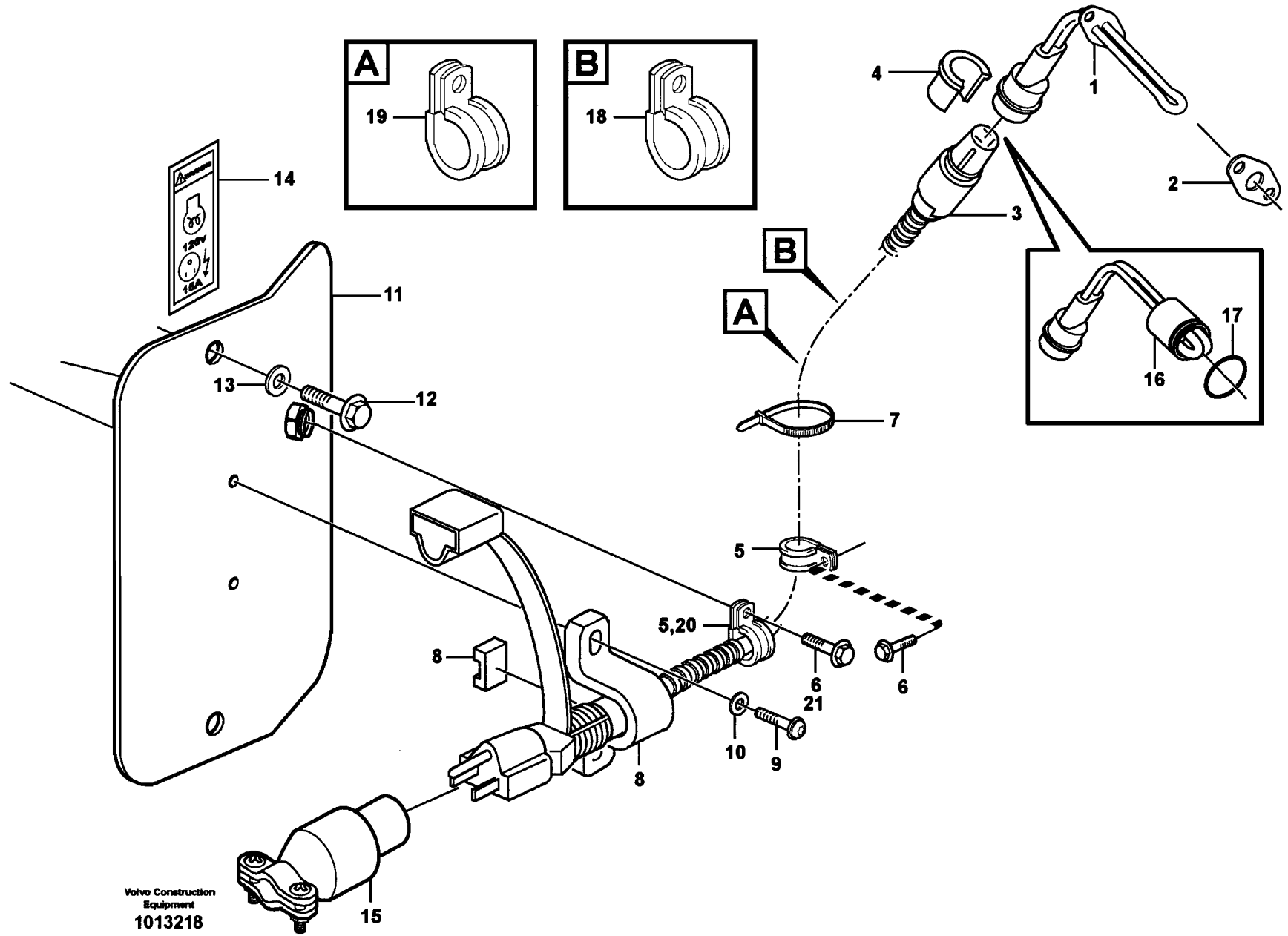
Volvo Construction
Equipment
1008528

| Fig. | Part No. | Quantity | | | P S | K I T | Description | Dénomination | Bezeichnung | Denominación | Benämning | Notes |
|------|--------------|----------|---|---|--------|-----------------------|----------------------------|------------------------|-----------------------|---------------------|-----------|-------|
| | | 1 | 2 | 3 | | | | | | | | |
| | VOE 11988218 | 1 | | | SS | Engine Heater | Chauffe-moteur | Motorwärmer | Calefact Motor | Motorvärmare | | |
| 1 | VOE 11170092 | 1 | | | | •Heater | •Élément de chauffag. | •Heizkörper | •Calefaccion | •Värmeelement | 220V/750W | |
| 2 | VOE 11099238 | 1 | | | | •Gasket | •Joint | •Dichtung | •Junta | •Packning | | |
| 3 | VOE 11152167 | 1 | | | | •Cable | •Cable | •Kabel | •Cable | •Kabel | | |
| 4 | VOE 11004943 | 1 | | | | •Locking Device | •Ens. verrouillage | •Verriegelung | •Dispos Cierre | •Låsanordning | | |
| 5 | VOE 3986351 | 1 | | | | •Cable | •Cable | •Kabel | •Cable | •Kabel | | |
| 6 | VOE 970791 | 1 | | | | •Cable terminal | •Cosse cable | •Flachsteckhülse | •Terminal cable | •Ledningssko | | |
| 7 | VOE 11152160 | 1 | | | | •Attachment | •Fixation | •Halterung | •Fijacion | •Fäste | | |
| 8 | VOE 11115555 | 1 | | | | •Sleeve | •Douille | •Hülse | •Manguito | •Hylsa | | |
| 9 | VOE 946440 | 2 | | | | •Flange screw | •Vis à bride | •Flanschschrabe | •Torn embridado | •Flänsskruv | | |
| 10 | VOE 13960141 | 2 | | | | •Washer | •Rondelle | •Scheibe | •Arandela | •Bricka | | |
| 11 | VOE 980614 | 4 | | | | •Clamp | •Pince Serrage | •Klemme | •Abrazadera | •Klämna | 14.3 MM | |
| 12 | VOE 946440 | 3 | | | | •Flange screw | •Vis à bride | •Flanschschrabe | •Torn embridado | •Flänsskruv | | |
| 13 | VOE 4881440 | 3 | | | | •Strip Clamp | •Ruban Serrage | •Kabelbinder | •Abraz Cinta | •Bandklamma | | |

| | | | | |
|---|--|-------------------------|----------------|---------|
| 1 | | Motorvärmare. | Catalogue id | Group |
| 2 | | Calentador del motor. | 20007 | 269 |
| 3 | | Motorwärmer. | Illustr. No | Section |
| 4 | | Chaufferette de moteur. | 1008528 | 150 |
| 5 | | Engine heater. | Issue | Page |
| | | 82394 | VOE 63D9920007 | 137 |

VOLVO

L90E



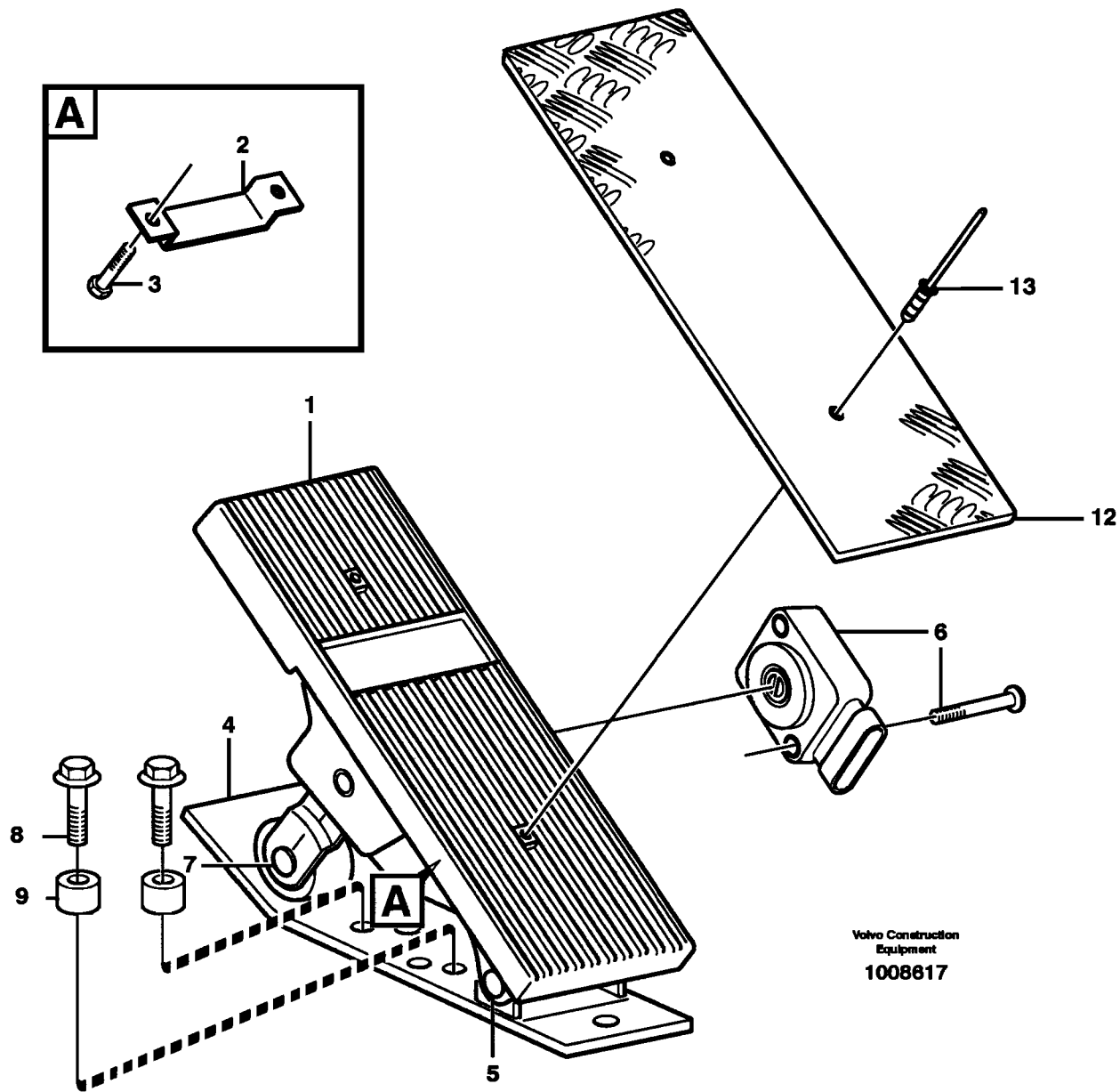
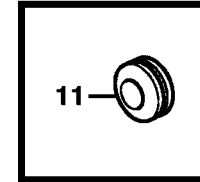
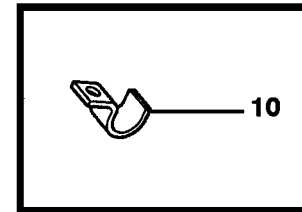
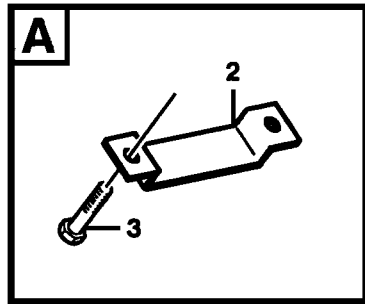
Volvo Construction
 Equipment
 1013218

| Fig. | Part No. | Quantity | | | P S | K I T | Description | Dénomination | Bezeichnung | Denominación | Benämning | Notes |
|------|--------------|----------|---|---|--------|------------------|----------------------|------------------|------------------|------------------|-------------|-------|
| | | 1 | 2 | 3 | | | | | | | | |
| | VOE 11988661 | 1 | | | | Engine Heater | Chauffe-moteur | Motorwärmer | Calefact Motor | Motorvärmare | KIT USA | |
| | VOE 11713825 | | 1 | | | Engine Heater | Chauffe-moteur | Motorwärmer | Calefact Motor | Motorvärmare | KIT USA | |
| 1 | VOE 11170082 | 1 | 1 | | | •Heater | •Elément de chauffag | •Heizkörper | •Calefaccion | •Värmeelement | 120V/700W | |
| 2 | VOE 11099238 | 1 | | | | •Gasket | •Joint | •Dichtung | •Junta | •Packning | | |
| 3 | VOE 11170099 | 1 | | | | •Cable | •Cable | •Kabel | •Cable | •Kabel | L = 2000 MM | |
| 3 | VOE 11411155 | | 1 | | | •Cable | •Cable | •Kabel | •Cable | •Kabel | L = 2500 MM | |
| 4 | VOE 11004943 | 1 | 1 | | | •Locking Device | •Ens. verrouillage | •Verriegelung | •Dispos Cierre | •Låsanordning | | |
| 5 | VOE 980614 | 4 | | | | •Clamp | •Pince Serrage | •Klemme | •Abrazadera | •Klämna | | |
| 6 | VOE 946440 | 3 | | | | •Flange screw | •Vis à bride | •Flanschschraube | •Torn embridado | •Flänsskruv | | |
| 7 | VOE 4881440 | 1 | 6 | | | •Strip Clamp | •Ruban Serrage | •Kabelbinder | •Abraz Cinta | •Bandklamma | | |
| 8 | VOE 11170100 | 1 | 1 | | | •Attaching Brace | •U Fixation | •Bef Bugel | •Brida Fijacion | •Fästbygel | | |
| 9 | VOE 969405 | 2 | 2 | | | •6-pt skt screw | •Vis creuse de 6 | •Hohlschraube | •Racor 6-dientes | •Sextandhålskruv | | |
| 10 | VOE 13940090 | 2 | 2 | | | •Washer | •Rondelle | •Scheibe | •Arandela | •Bricka | | |
| 11 | VOE 11413583 | 1 | 1 | | | •Attachment | •Fixation | •Halterung | •Fijacion | •Fäste | | |
| 12 | VOE 946440 | 2 | 2 | | | •Flange screw | •Vis à bride | •Flanschschraube | •Torn embridado | •Flänsskruv | | |
| 13 | VOE 13960141 | 2 | 2 | | | •Washer | •Rondelle | •Scheibe | •Arandela | •Bricka | | |
| 14 | VOE 11302220 | 1 | 1 | | | •Decal | •Autocollant | •Aufklebeschild | •Calcomania | •Dekal | | |
| 15 | VOE 11046803 | 1 | 1 | | | •Rcpt Housing | •Douille Isolan | •Steckbuchse | •Aislador Mangui | •Hylisolator | | |
| 16 | VOE 11411122 | | 1 | | | Engine Heater | Chauffe-moteur | Motorwärmer | Calefact Motor | Motorvärmare | 120V/550W | |
| 17 | VOE 13969220 | | 1 | | | O-ring | Joint Torique | O-Ring | Junta torica | O-ring | | |
| 18 | VOE 977600 | | 1 | | | Clamp | Pince Serrage | Klemme | Abrazadera | Klämna | | |
| 19 | VOE 943717 | | 1 | | | Clamp | Pince Serrage | Klemme | Abrazadera | Klämna | | |
| 20 | VOE 980614 | | 1 | | | Clamp | Pince Serrage | Klemme | Abrazadera | Klämna | | |
| 21 | VOE 946440 | | 1 | | | Flange screw | Vis à bride | Flanschschraube | Torn embridado | Flänsskruv | | |

| | | | | |
|---|-------|--|-----------------------|------------|
| 1 | 82393 | Motorvärmare Calefactor, motor Motorwärmer Chauffe-moteur Engine heater | Catalogue id | Group |
| 2 | 83017 | | 20007 | 269 |
| 3 | | | Illustr. No | Section |
| 4 | | | 1013218 | 250 |
| 5 | | | Issue | Page |
| | | | VOE 63D9920007 | 139 |

VOLVO

L90E



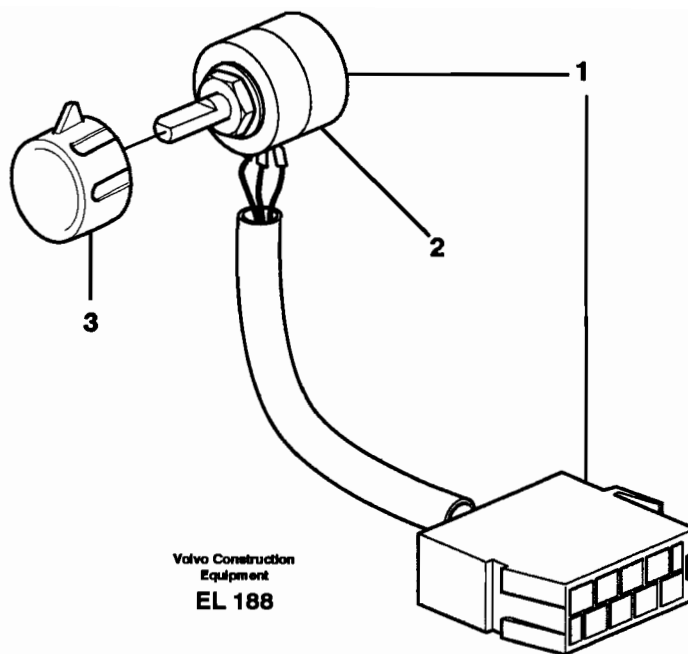
Volvo Construction
Equipment
1008617

| Fig. | Part No. | Quantity | | | P S | K I T | Description | Dénomination | Bezeichnung | Denominación | Benämning | Notes |
|------|--------------|----------|---|---|--------|----------------------|------------------------|-----------------------|-----------------------|-------------------|---------------|-------|
| | | 1 | 2 | 3 | | | | | | | | |
| | VOE 11170086 | 1 | | | | Accel Pedal..... | Pedale Acceler..... | Gaspedal..... | Pedal Acelerad..... | Gaspedal..... | SER NO 1084 - | |
| | VOE 11039776 | | 1 | | SS | Accel Pedal..... | Pedale Acceler..... | Gaspedal..... | Pedal Acelerad..... | Gaspedal..... | SER NO - 1083 | |
| 1 | VOE 11708268 | 1 | | | | •Pedal Rubber..... | •Caoutchouc Peda..... | •Pedalgummi..... | •Goma Del Pedal..... | •Pedalgummi..... | | |
| | VOE 11708268 | | 1 | | | ••Pedal Rubber..... | ••Caoutchouc Peda..... | ••Pedalgummi..... | ••Goma Del Pedal..... | ••Pedalgummi..... | | |
| 2 | VOE 11709585 | 1 | | | | •Clamp..... | •Pince Serrage..... | •Klemme..... | •Abrazadera..... | •Klämna..... | | |
| | VOE 11709585 | | 1 | | | ••Clamp..... | ••Pince Serrage..... | ••Klemme..... | ••Abrazadera..... | ••Klämna..... | | |
| 3 | VOE 11709584 | 1 | | | | •Screw..... | •Vis..... | •Schraube..... | •Tornillo..... | •Skruv..... | | |
| | VOE 11709584 | | 1 | | | ••Screw..... | ••Vis..... | ••Schraube..... | ••Tornillo..... | ••Skruv..... | | |
| 4 | VOE 11709583 | 1 | | | | •Plate..... | •Plaque..... | •Platte..... | •Placa..... | •Platta..... | | |
| | VOE 11709583 | | 1 | | | ••Plate..... | ••Plaque..... | ••Platte..... | ••Placa..... | ••Platta..... | | |
| 5 | VOE 11708267 | 1 | | | | •Pin..... | •Goupille..... | •Stift..... | •Pasador..... | •Pinne..... | | |
| | VOE 11708267 | | 1 | | | ••Pin..... | ••Goupille..... | ••Stift..... | ••Pasador..... | ••Pinne..... | | |
| 6 | VOE 11708270 | 1 | | | | •Sensor..... | •Capteur..... | •Geber..... | •Captador..... | •Givare..... | SE214 | |
| | VOE 11708270 | | 1 | | | ••Sensor..... | ••Capteur..... | ••Geber..... | ••Captador..... | ••Givare..... | | |
| 7 | VOE 11708271 | 1 | | | | •Roller Kit..... | •Kit Rouleaux..... | •Rollensatz..... | •Juego Rodillos..... | •Rullrats..... | | |
| | VOE 11708271 | | 1 | | | ••Roller Kit..... | ••Kit Rouleaux..... | ••Rollensatz..... | ••Juego Rodillos..... | ••Rullrats..... | | |
| 8 | VOE 13945444 | 2 | | | | Flange screw..... | Vis à bride..... | Flanschschraube..... | Torn embridado..... | Flänsskruv..... | | |
| | VOE 13945444 | | 2 | | | •Flange screw..... | •Vis à bride..... | •Flanschschraube..... | •Torn embridado..... | •Flänsskruv..... | | |
| 9 | VOE 930428 | 2 | | | | Spacer Ring..... | Bagu.entretoise..... | Abstandring..... | Anillo Dist..... | Distansring..... | | |
| | VOE 930428 | | 2 | | | •Spacer Ring..... | •Bagu.entretoise..... | •Abstandring..... | •Anillo Dist..... | •Distansring..... | | |
| 10 | VOE 951191 | 1 | | | | Clamp..... | Pince Serrage..... | Klemme..... | Abrazadera..... | Klämna..... | | |
| 11 | VOE 13961965 | 1 | | | | Protecting Plug..... | Tampon Protect..... | Sicher Stöpsel..... | Tapon Protecc..... | Skyddspropp..... | | |
| 12 | VOE 11041541 | | 1 | | | •Plate..... | •Tôle..... | •Blech..... | •Chapa..... | •Plåt..... | | |
| 13 | VOE 973883 | | 2 | | | •Blind Rivet..... | •Rivet Borgne..... | •Blindniet..... | •Remache Ciego..... | •Blindnit..... | | |

| | | | | |
|---|---------------------|---|----------------|------------|
| 1 | 11170086, OPEN ROPS | Gaspedal Pedal acelerador Gaspedal Pedale accelerateur Accelerator pedal | Catalogue id | Group |
| 2 | 11039776 | | 20007 | 271 |
| 3 | | | Illustr. No | Section |
| 4 | | | 1008617 | 100 |
| 5 | | | Issue | Page |
| | | VOE 63D9920007 | 141 | |

VOLVO

L90E



Valvo Construction
Equipment
EL 188

| Fig. | Part No. | Quantity | | | P S | K I T | Description | Dénomination | Bezeichnung | Denominación | Benämning | Notes |
|------|--------------|----------|---|---|--------|-----------------------|----------------------|---------------------|----------------------|---------------------|-----------|-------|
| | | 1 | 2 | 3 | | | | | | | | |
| 1 | | 1 | | | NS | Hand Throt Cont | Accelerat Main | Handgasregler..... | Mando Man Acel | Handgasreglage..... | | |
| 2 | | 1 | | | NS | •Potentiometer | •Potentiometre | •potentiometer..... | •Potenciometro..... | •Potentiometer..... | | |
| 3 | VOE 11039800 | 1 | | | | Knob..... | Bouton..... | Knauf..... | Boton..... | Knopp..... | | |

| | | | | |
|---|--|--|----------------|------------|
| 1 | | Handgasreglage. Mando manual acelerador. Handgasregler. Accélérateur à main. Hand throttle control. 80520 | Catalogue id | Group |
| 2 | | | 20007 | 272 |
| 3 | | | Illustr. No | Section |
| 4 | | | EL188 | 100 |
| 5 | | | Issue | Page |
| | | | VOE 63D9920007 | 143 |

VOLVO

L90E

VOLVO

Construction Equipment

(

(

(

(

(

(

(

| GROUP | Section | Page | GROUP | Section | Page | | |
|-------|--|------|-------|---------|---|------|-----|
| 313 | Battery box with fitting parts..... | 100 | 157 | 371 | Cable harnesses, instrument panel OPEN ROPS | 525 | 233 |
| 321 | Alternator with assembling details STD, OPEN ROPS | 100 | 159 | 371 | Cable harnesses, cab | 550 | 237 |
| 321 | Alternator, 55A STD, OPEN ROPS | 150 | 161 | 371 | Cable harness, ceiling..... | 600 | 241 |
| 321 | Alternator, 80A. 80317 | 200 | 163 | 371 | Cable harness for transmission..... | 650 | 243 |
| 331 | Starter motor with assembling details STD, OPEN ROPS..... | 100 | 165 | 371 | Cable harness, rear..... | 700 | 249 |
| 331 | Starter motor STD, OPEN ROPS | 150 | 167 | 371 | Rear cable harness with assembly parts | 750 | 253 |
| 333 | Pre-heater with fitting parts STD, OPEN ROPS | 100 | 169 | 371 | Cable harness, radiator STD, OPEN ROPS | 800 | 255 |
| 352 | Lighting, front | 100 | 171 | 371 | Cable harnesses, servo valve. | 850 | 257 |
| 352 | Work lights, front | 150 | 173 | 371 | Cable harnesses, servo valve. OPEN ROPS..... | 875 | 259 |
| 352 | Side marking lamp. 80352 | 200 | 175 | 371 | Cable harness, air-suspension seat 80506, 80572, 94909..... | 900 | 261 |
| 352 | Lighting, cab..... | 250 | 177 | 371 | Cable harness, secondary steering system. 80932 | 950 | 263 |
| 353 | Lighting, rear STD, OPEN ROPS | 100 | 179 | 371 | Cable harness, CDC - steering. 80929 | 1000 | 267 |
| 353 | Work lights, rear..... | 150 | 181 | 371 | Electrical system, parking brake alarm 80348 | 1050 | 271 |
| 353 | License plate lamp 80884..... | 200 | 183 | 371 | Cable harness, boom suspension system. 80931 | 1100 | 275 |
| 362 | Back-up warning unit 80883 | 100 | 185 | 371 | Cable harness, central lubrication. 82377, 82378..... | 1150 | 277 |
| 362 | Revolving warning light. 93799 | 150 | 187 | 371 | Cable harness, attachment bracket 80933 | 1200 | 279 |
| 362 | Rotating beacon. 93799..... | 200 | 189 | 371 | Cable harnesses, single lever control. 82325, 82326 | 1400 | 281 |
| 362 | Revolving warning light. 82199 | 225 | 191 | 371 | Cable harness, automatic back-up light 82307 | 1500 | 285 |
| 363 | Windshield wiper, front STD, 82790 | 100 | 193 | 371 | Cable harness for monitor. 82178..... | 1600 | 287 |
| 363 | Windshield wiper, rear STD, 82790 | 150 | 195 | 371 | Cable harness, compressor 80813 ,80868 | 1650 | 289 |
| 363 | Windshield washer..... | 200 | 197 | 371 | Cable harness for 3rd and 4th function. 80930 | 1700 | 291 |
| 371 | Battery cable and main switch | 100 | 199 | 372 | Electrical distribution box STD, OPEN ROPS..... | 100 | 295 |
| 371 | Cable harness, engine | 150 | 203 | 372 | Circuit board STD, OPEN ROPS | 150 | 297 |
| 371 | Cable harness, engine | 175 | 205 | 372 | Electrical distribut.unitand cable harness STD, OPEN ROPS | 200 | 301 |
| 371 | Cable harness, alternator STD, OPEN ROPS | 200 | 207 | 379 | Wires | 100 | 303 |
| 371 | Cable harness, electrical distrib. unit - engine E-ECU | 250 | 209 | 379 | Hose and manifold | 150 | 311 |
| 371 | Cable harness, front STD, OPEN ROPS | 300 | 215 | 379 | Cable terminal | 200 | 317 |
| 371 | Front cable harness with assembly parts STD, OPEN ROPS | 350 | 221 | 379 | Insulator for spade terminal..... | 300 | 321 |
| 371 | Cable harnesses, cab STD, OPEN ROPS..... | 400 | 223 | 379 | Spade terminal..... | 400 | 325 |
| 371 | Cable harnesses, cab | 450 | 227 | 379 | Pin insulator | 500 | 331 |
| 371 | Cable harnesses, instrument panel STD | 500 | 229 | 379 | Pin..... | 600 | 333 |

INDEX OF CONTENTS

| | |
|--------------------------------|---------------------|
| Catalogue id 20007 | Group 300 |
| Issue VOE 63D9920007 | Page 145 |

VOLVO

L90E

INDEX OF CONTENTS

| | |
|--------------------------------|---------------------|
| Catalogue id 20007 | Group 300 |
| Issue VOE 63D9920007 | Page 146 |

| GROUP | Section | Page | GROUP | Section | Page |
|-------|---|------|-------|---------|------|
| 379 | Humidity-proof connections | 700 | | | 337 |
| 379 | Connectors..... | 800 | | | 341 |
| 379 | Housings for timers and tabs | 900 | | | 347 |
| 380 | Instrument panel 33277, 94638 | 100 | | | 351 |
| 380 | Instrument panel OPEN ROPS..... | 125 | | | 355 |
| 380 | Side panel | 150 | | | 359 |
| 380 | Switch | 200 | | | 361 |
| 386 | Relays, sensors and solenoid valves, reference list | 100 | | | 365 |
| 386 | Sensors, reference list | 150 | | | 369 |
| 390 | Camera inclusive monitor. 82178 | 100 | | | 375 |
| 393 | Cable harness for radio 80518..... | 100 | | | 377 |

| GROUPE | Section | Page | GROUPE | Section | Page | | |
|--------|--|------|--------|---------|---|------|-----|
| 313 | Cage batterie avec pièces de montage | 100 | 157 | 371 | Faisceau de câbles, planche bord STD | 500 | 229 |
| 321 | Alternateur avec pieces de montage STD, OPEN ROPS..... | 100 | 159 | 371 | Faisceau de câbles, planche bord OPEN ROPS..... | 525 | 233 |
| 321 | Dynamo, 55A STD, OPEN ROPS..... | 150 | 161 | 371 | Faisceau de câbles, cabine..... | 550 | 237 |
| 321 | Dynamo, 80A. 80317 | 200 | 163 | 371 | Faisceau de câbles, pavillon toit | 600 | 241 |
| 331 | Démarrreur avec pieces de montage STD, OPEN ROPS | 100 | 165 | 371 | Faisceau de câbles pourtransmission..... | 650 | 243 |
| 331 | Démarrreur STD, OPEN ROPS | 150 | 167 | 371 | Faisceau de câble, arrière..... | 700 | 249 |
| 333 | Préchauffeur avec pièces de montage STD, OPEN ROPS..... | 100 | 169 | 371 | Faisceau de câble arrière avec pièces de montage..... | 750 | 253 |
| 352 | Eclairage, anterieur..... | 100 | 171 | 371 | Faisceau de câbles, radiateur STD, OPEN ROPS | 800 | 255 |
| 352 | Phare de travail..... | 150 | 173 | 371 | Faisceau de câbles, servo-distributeur. | 850 | 257 |
| 352 | Feu gabarit lateral. 80352 | 200 | 175 | 371 | Faisceau de câbles, servo-distributeur. OPEN ROPS | 875 | 259 |
| 352 | Eclairage, cabine | 250 | 177 | 371 | Faisceau de câbles, siège de conducteur suspension pneumatique 80506, 80572, 94909 | 900 | 261 |
| 353 | Eclairage, arrière STD, OPEN ROPS | 100 | 179 | 371 | Faisceau de câbles, direction de secours. 80932 | 950 | 263 |
| 353 | Phare de travail, AR..... | 150 | 181 | 371 | Faisceau de câbles, CDC - direction. 80929..... | 1000 | 267 |
| 353 | Eclairage de plaque 80884 | 200 | 183 | 371 | Faisceau câbles, signal sonore frein de parking 80348 | 1050 | 271 |
| 362 | Avertisseur sonore de marche arrière 80883..... | 100 | 185 | 371 | Faisceau de câbles, amortisseur vibrations. 80931 | 1100 | 275 |
| 362 | Avertisseur lumineux à feu tournant. 93799 | 150 | 187 | 371 | Faisceau de câbles, graissage central. 82377, 82378..... | 1150 | 277 |
| 362 | Avertisseur lumineux à feu tournant. 93799 | 200 | 189 | 371 | Faisceau de câbles, porte-outil 80933 | 1200 | 279 |
| 362 | Avertisseur lumineux à feu tournant. 82199 | 225 | 191 | 371 | Faisceau de câbles pourcommande levier simple. 82325, 82326 ... | 1400 | 281 |
| 363 | Essuie-vitre, avant STD, 82790 | 100 | 193 | 371 | Faisceau de câbles, feu de recul automatique 82307..... | 1500 | 285 |
| 363 | Essuie-vitre, arrière STD, 82790..... | 150 | 195 | 371 | Faisceau de câbles pour moniteur. 82178 | 1600 | 287 |
| 363 | Lave - glace | 200 | 197 | 371 | Faisceau de câbles, compresseur 80813 ,80868 | 1650 | 289 |
| 371 | Cable batterie et robinet batterie..... | 100 | 199 | 371 | Faisceau de câbles pour 3ème et 4ème fonction 80930 | 1700 | 291 |
| 371 | Faisceau de câbles, moteur | 150 | 203 | 372 | Unité de distribution électrique STD, OPEN ROPS | 100 | 295 |
| 371 | Faisceau de câbles, moteur | 175 | 205 | 372 | Carte circuit STD, OPEN ROPS | 150 | 297 |
| 371 | Faisceau câbles, dynamo STD, OPEN ROPS..... | 200 | 207 | 372 | Centrale de électrique et faisceau de cables STD, OPEN ROPS..... | 200 | 301 |
| 371 | Faisceau câbles, centrle électrique - moteur E-ECU | 250 | 209 | 379 | Câbles | 100 | 303 |
| 371 | Faisceau de câbles, antérieur STD, OPEN ROPS | 300 | 215 | 379 | Flexible et tubulure | 150 | 311 |
| 371 | Faisceau de câbles, avant, avec pièces de montage STD, OPEN ROPS..... | 350 | 221 | 379 | Cosse de câble | 200 | 317 |
| 371 | Faisceau de câbles, cabine STD, OPEN ROPS..... | 400 | 223 | 379 | Isolant pour fiche plate | 300 | 321 |
| 371 | Cables ruban, cabine | 450 | 227 | 379 | Fiche plate..... | 400 | 325 |

| | | |
|---------------------------|--------------------------------|---------------------|
| TABLE DES MATIÈRES | Catalogue id 20007 | Group 300 |
| | Issue VOE 63D9920007 | Page 147 |

VOLVO

L90E

TABLE DES MATIÈRES

| | |
|--------------------------------|---------------------|
| Catalogue id 20007 | Group 300 |
| Issue VOE 63D9920007 | Page 148 |

| GROUPE | Section | Page | GROUPE | Section | Page |
|--------|--|------|--------|---------|------|
| 379 | Isolant pour goupille cylindrique..... | 500 | | | 331 |
| 379 | Goupille cylindrique..... | 600 | | | 333 |
| 379 | Contact sûr contre humidifier | 700 | | | 337 |
| 379 | Appareil de débrayage..... | 800 | | | 341 |
| 379 | Isolant pour timer et fiche plate..... | 900 | | | 347 |
| 380 | Tableau de bord 33277, 94638..... | 100 | | | 351 |
| 380 | Tableau de bord OPEN ROPS | 125 | | | 355 |
| 380 | Panneau lateral..... | 150 | | | 359 |
| 380 | Interrupteur | 200 | | | 361 |
| 386 | Relais, détecteurs et vanne électromagnétique..... | 100 | | | 365 |
| 386 | Détecteurs, tableau de références..... | 150 | | | 369 |
| 390 | Appareil inclus moniteur. 82178 | 100 | | | 375 |
| 393 | Faisceau de câbles, radio 80518 | 100 | | | 377 |

| GRUPPE | Abschnitt | Seite | GRUPPE | Abschnitt | Seite | | |
|--------|--|-------|--------|-----------|---|------|-----|
| 313 | Batteriekasten mit Anbauteilen | 100 | 157 | 371 | Kabelbäume, Instrumententafel OPEN ROPS..... | 525 | 233 |
| 321 | Generator mit Anbauteilen STD, OPEN ROPS | 100 | 159 | 371 | Kabelbäume, Kabine..... | 550 | 237 |
| 321 | Lichtmaschine, 55A STD, OPEN ROPS | 150 | 161 | 371 | Kabelbäume, Innendach | 600 | 241 |
| 321 | Lichtmaschine, 80A. 80317..... | 200 | 163 | 371 | Kabelbaum für Getriebe | 650 | 243 |
| 331 | Anlasser mit Anbauteilen STD, OPEN ROPS..... | 100 | 165 | 371 | Kabelbaum, hinten | 700 | 249 |
| 331 | Anlasser STD, OPEN ROPS | 150 | 167 | 371 | Kabelbaum hinten mit Anbauteilen | 750 | 253 |
| 333 | Vorwärmer mit Anbauteilen STD, OPEN ROPS..... | 100 | 169 | 371 | Kabelbaum, Kühler STD, OPEN ROPS | 800 | 255 |
| 352 | Beleuchtung, vorder..... | 100 | 171 | 371 | Kabelbäume, Servoventil. | 850 | 257 |
| 352 | Arbeitsscheinwerfer, vorder. | 150 | 173 | 371 | Kabelbäume, Servoventil. OPEN ROPS..... | 875 | 259 |
| 352 | Seitenbegrenzungsleuchte. 80352 | 200 | 175 | 371 | Kabelbaum, luftgefederterfahrersitz 80506, 80572, 94909 | 900 | 261 |
| 352 | Beleuchtung, Kabine..... | 250 | 177 | 371 | Kabelbäume, Hilfslenkung. 80932 | 950 | 263 |
| 353 | Beleuchtung, hinter STD, OPEN ROPS | 100 | 179 | 371 | Kabelbäume, CDC - Lenkung. 80929 | 1000 | 267 |
| 353 | Arbeitsscheinwerfer, hinter. | 150 | 181 | 371 | Kabelbaum, Handbremsanzeiger 80348..... | 1050 | 271 |
| 353 | Nummernschildbeleuchtung 80884 | 200 | 183 | 371 | Kabelbäume, Schwingungsdämpfer. 80931 | 1100 | 275 |
| 362 | Rückfahrwarner 80883..... | 100 | 185 | 371 | Kabelbaum, Zentralschmierung. 82377, 82378 | 1150 | 277 |
| 362 | Drehfeuerleuchte. 93799 | 150 | 187 | 371 | Kabelbäume, Geräteschnellkupplung 80933 | 1200 | 279 |
| 362 | Drehfeuerleuchte. 93799 | 200 | 189 | 371 | Kabelbaum für Einhebel Regler. 82325, 82326 | 1400 | 281 |
| 362 | Drehfeuerleuchte. 82199 | 225 | 191 | 371 | Kabelbaum, automatische Rückfahrleuchte 82307..... | 1500 | 285 |
| 363 | Scheibenwischer, vorne STD, 82790..... | 100 | 193 | 371 | Kabelbaum für Monitor. 82178..... | 1600 | 287 |
| 363 | Scheibenwischer, hinten STD, 82790..... | 150 | 195 | 371 | Kabelbäume, Kompressor 80813 ,80868..... | 1650 | 289 |
| 363 | Scheibenwaschanlage | 200 | 197 | 371 | Kabelbaum für 3. und 4. Funktion. 80930 | 1700 | 291 |
| 371 | Batterieleitung und Batterietrennschalter..... | 100 | 199 | 372 | Elektrozentrale STD, OPEN ROPS..... | 100 | 295 |
| 371 | Kabelbündel, Motor..... | 150 | 203 | 372 | Leiterbahnplatte STD, OPEN ROPS | 150 | 297 |
| 371 | Kabelbündel, Motor..... | 175 | 205 | 372 | Elektrozentrale und Kabelbäume STD, OPEN ROPS | 200 | 301 |
| 371 | Kabelbaum, Lichtmaschine STD, OPEN ROPS | 200 | 207 | 379 | Elektr. Leitung | 100 | 303 |
| 371 | Kabelbaum, Elektrozentrale - Motor E-ECU | 250 | 209 | 379 | Schlauch und Verzweigung..... | 150 | 311 |
| 371 | Kabelbaum, vorne STD, OPEN ROPS | 300 | 215 | 379 | Kabelschuh | 200 | 317 |
| 371 | Kabelbäume, vorn, mit Anbauteilen STD, OPEN ROPS | 350 | 221 | 379 | Isolator für Flachstecker..... | 300 | 321 |
| 371 | Kabelbäume, Kabine STD, OPEN ROPS | 400 | 223 | 379 | Flachstecker | 400 | 325 |
| 371 | Kabelbaum, Kabine..... | 450 | 227 | 379 | Isolator für Stift | 500 | 331 |
| 371 | Kabelbäume, Instrumententafel STD..... | 500 | 229 | 379 | Stift | 600 | 333 |

INHALTSVERZEICHNIS

| | |
|--------------------------------|---------------------|
| Catalogue id 20007 | Group 300 |
| Issue VOE 63D9920007 | Page 149 |

VOLVO

L90E

INHALTSVERZEICHNIS

| | |
|--------------------------------|---------------------|
| Catalogue id 20007 | Group 300 |
| Issue VOE 63D9920007 | Page 150 |

| GRUPPE | Abschnitt | Seite | GRUPPE | Abschnitt | Seite |
|--------|---|-------|--------|-----------|-------|
| 379 | Kontakt, feuchtigkeitssicher | 700 | | | 337 |
| 379 | Schaltvorrichtung | 800 | | | 341 |
| 379 | Isolator für timer und Flachstecker..... | 900 | | | 347 |
| 380 | Instrumententafel 33277, 94638 | 100 | | | 351 |
| 380 | Instrumententafel OPEN ROPS..... | 125 | | | 355 |
| 380 | Seitenpaneel | 150 | | | 359 |
| 380 | Schalter | 200 | | | 361 |
| 386 | Relais, Geber und Magnetventil..... | 100 | | | 365 |
| 386 | Geber, Bezugstabelle | 150 | | | 369 |
| 390 | Kamera einschliesslich Monitor. 82178 | 100 | | | 375 |
| 393 | Kabelbäume für radio 80518..... | 100 | | | 377 |

| GRUPO | Sección | Página | GRUPO | Sección | Página |
|-------|---|--------|-------|---------|--|
| 313 | Caja de batería con accesorios de montaje..... | 100 | 157 | 371 | Manojo de cables, panel instrumentos OPEN ROPS 525 233 |
| 321 | Alternador con asessorios de montage STD, OPEN ROPS..... | 100 | 159 | 371 | Manojo de cables, cabina 550 237 |
| 321 | Alternador, 55A STD, OPEN ROPS | 150 | 161 | 371 | Haz de cables, techo de la cabina 600 241 |
| 321 | Alternador, 80A. 80317 | 200 | 163 | 371 | Manojo de cable para transmision 650 243 |
| 331 | Motor de arranque con asessorios de montaje STD, OPEN ROPS .. | 100 | 165 | 371 | Manojo de cable, trasero..... 700 249 |
| 331 | Motor de arranque STD, OPEN ROPS..... | 150 | 167 | 371 | Manojo de cable trasero con accesorios de montaje..... 750 253 |
| 333 | Pre calentador con accesorios de montaje STD, OPEN ROPS | 100 | 169 | 371 | Manojo de cable, radiador STD, OPEN ROPS 800 255 |
| 352 | Alumbrado, delantero..... | 100 | 171 | 371 | Haces de cables, servoválvula..... 850 257 |
| 352 | Alumbrado de trabajo, delantero..... | 150 | 173 | 371 | Haces de cables, servoválvula. OPEN ROPS 875 259 |
| 352 | Lampara enmarcacion. 80352 | 200 | 175 | 371 | Manojo de cables, asiento del conductor de suspensión neumática 80506, 80572, 94909 900 261 |
| 352 | Alumbrado, cabina | 250 | 177 | 371 | Manojo de cables, equipo de dirección de reserva. 80932..... 950 263 |
| 353 | Alumbrado, trasero STD, OPEN ROPS..... | 100 | 179 | 371 | Manojo de cables, CDC - dirección. 80929..... 1000 267 |
| 353 | Alumbrado de trabajo, trasero. | 150 | 181 | 371 | Manojo de cables, alarma de freno de estacionamiento 80348..... 1050 271 |
| 353 | Alumbrado de matrícula 80884..... | 200 | 183 | 371 | Manojos de cables, amortiguador de vibraciones. 80931..... 1100 275 |
| 362 | Señal acústica de marcha atrás 80883..... | 100 | 185 | 371 | Manojo de cables, lubricacion central. 82377, 82378 1150 277 |
| 362 | Farol de señal con luz revolvedora. 93799 | 150 | 187 | 371 | Manojo de cables, equipo de fijación de implementos 80933..... 1200 279 |
| 362 | Faro de advertencia giratorio. 93799 | 200 | 189 | 371 | Manojo de cables para reglaje de palanca sencilla. 82325, 82326 . 1400 281 |
| 362 | Farol de señal con luz revolvedora. 82199 | 225 | 191 | 371 | Haz de cables, luces de marcha atrás automáticas 82307..... 1500 285 |
| 363 | Limpiaparabrisas, delantero STD, 82790 | 100 | 193 | 371 | Manojo de cables para pantalla. 82178 |
| 363 | Limpiaparabrisas, trasero STD, 82790 | 150 | 195 | 371 | Haz de cables, compresor 80813 ,80868 |
| 363 | Lavaparabrisas | 200 | 197 | 371 | Haz de cables para 3a y 4a función. 80930..... 1700 291 |
| 371 | Cable de batería y desconector batería | 100 | 199 | 372 | Unidad de distribución eléctrica STD, OPEN ROPS..... 100 295 |
| 371 | Haz de cables, motor..... | 150 | 203 | 372 | Placa de circuito STD, OPEN ROPS |
| 371 | Haz de cables, motor | 175 | 205 | 372 | Central eléctrica y manojos de cables STD, OPEN ROPS..... 200 301 |
| 371 | Manojo de cables, alternador STD, OPEN ROPS | 200 | 207 | 379 | Cables..... 100 303 |
| 371 | Manojo cables, centralilla eléctrica - motor E-ECU..... | 250 | 209 | 379 | Manguera y bifurcación..... 150 311 |
| 371 | Manojo de cables, delantero STD, OPEN ROPS | 300 | 215 | 379 | Cable terminal..... 200 317 |
| 371 | Haz de cables, delantero, con piezas de montaje STD, OPEN ROPS350 | 221 | | 379 | Aislador para clavija plana 300 321 |
| 371 | Manojo de cables, cabina STD, OPEN ROPS..... | 400 | 223 | 379 | Clavija plana..... 400 325 |
| 371 | Manojos de cables, cabina | 450 | 227 | 379 | Aislador para espiga |
| 371 | Manojo de cables, panel instrumentos STD | 500 | 229 | | |

INDICE

| | |
|--------------------------------|---------------------|
| Catalogue id 20007 | Group 300 |
| Issue VOE 63D9920007 | Page 151 |

VOLVO

L90E

INDICE

| | |
|--------------------------------|---------------------|
| Catalogue id 20007 | Group 300 |
| Issue VOE 63D9920007 | Page 152 |

| GRUPO | Sección | Página | GRUPO | Sección | Página |
|-------|---------|--------|-------|---------|--------|
|-------|---------|--------|-------|---------|--------|

| | | | |
|-----|---|-----|-----|
| 379 | Espiga | 600 | 333 |
| 379 | Contacto, seguro contra húmedo..... | 700 | 337 |
| 379 | Conexión de distribución..... | 800 | 341 |
| 379 | Aisaldor para timer y clavija plana. | 900 | 347 |
| 380 | Panel de instrumentos 33277, 94638 | 100 | 351 |
| 380 | Panel de instrumentos OPEN ROPS | 125 | 355 |
| 380 | Panel lateral | 150 | 359 |
| 380 | Interruptor | 200 | 361 |
| 386 | Relé, sensores y electroválvula | 100 | 365 |
| 386 | Sensores, table de referencia | 150 | 369 |
| 390 | Cámara incluso pantalla. 82178 | 100 | 375 |
| 393 | Manojos decables, para radio 80518..... | 100 | 377 |

| GRUPP | | Avsnitt | Sida | GRUPP | | Avsnitt | Sida |
|-------|--|---------|------|-------|---|---------|------|
| 313 | Batterilåda med monteringsdetaljer | 100 | 157 | 371 | Ledningsmatta, instrumentpanel OPEN ROPS..... | 525 | 233 |
| 321 | Generator med monteringsdetaljer STD, OPEN ROPS..... | 100 | 159 | 371 | Ledningsmatta, manöverpanel | 550 | 237 |
| 321 | Generator, 55A STD, OPEN ROPS | 150 | 161 | 371 | Ledningsmatta, innertak | 600 | 241 |
| 321 | Generator, 80A. 80317 | 200 | 163 | 371 | Ledningsmatta för transmission | 650 | 243 |
| 331 | Startmotor med monteringsdetaljer STD, OPEN ROPS | 100 | 165 | 371 | Ledningsmatta, bakre..... | 700 | 249 |
| 331 | Startmotor STD, OPEN ROPS..... | 150 | 167 | 371 | Bakre ledningsmatta med monteringsdetaljer..... | 750 | 253 |
| 333 | Förvärmare med monteringsdetaljer STD, OPEN ROPS | 100 | 169 | 371 | Ledningsmatta, kylare STD, OPEN ROPS | 800 | 255 |
| 352 | Belysning, främre | 100 | 171 | 371 | Ledningsmattor, servoventil. | 850 | 257 |
| 352 | Arbetsbelysning, fram. | 150 | 173 | 371 | Ledningsmattor, servoventil. OPEN ROPS | 875 | 259 |
| 352 | Sidomarkeringslykta. 80352..... | 200 | 175 | 371 | Ledningsmatta, luftfjädrande förarstol 80506, 80572, 94909..... | 900 | 261 |
| 352 | Belysning, hytt..... | 250 | 177 | 371 | Ledningsmatta, reservstyrning. 80932 | 950 | 263 |
| 353 | Belysning, bakre STD, OPEN ROPS..... | 100 | 179 | 371 | Ledningsmatta, CDC - styrning. 80929 | 1000 | 267 |
| 353 | Arbetsbelysning, bak..... | 150 | 181 | 371 | Elsystem, handbromsalarmering 80348..... | 1050 | 271 |
| 353 | Nummerskyltsbelysning 80884 | 200 | 183 | 371 | Ledningsmatta, svängningsdämpare. 80931 | 1100 | 275 |
| 362 | Backvarnare 80883 | 100 | 185 | 371 | Ledningsmatta, centralsmörjning. 82377, 82378 | 1150 | 277 |
| 362 | Roterande varningsljus. 93799 | 150 | 187 | 371 | Ledningsmatta, redskapsfäste 80933 | 1200 | 279 |
| 362 | Roterande varningslykta. 93799 | 200 | 189 | 371 | Ledningsmattor, enspaksreglage. 82325, 82326 | 1400 | 281 |
| 362 | Roterande varningsljus. 82199 | 225 | 191 | 371 | Ledningsmatta, automatiskt backljus 82307 | 1500 | 285 |
| 363 | Vindrutetorkare, fram STD, 82790 | 100 | 193 | 371 | Ledningsmatta för monitor. 82178 | 1600 | 287 |
| 363 | Vindrutetorkare, bak STD, 82790 | 150 | 195 | 371 | Ledningsmatta, kompressor 80813 ,80868 | 1650 | 289 |
| 363 | Vindrutespolare..... | 200 | 197 | 371 | Ledningsmatta för 3:e och 4:e funktion. 80930 | 1700 | 291 |
| 371 | Batteriledning och batterifrånskiljare | 100 | 199 | 372 | Elcentral STD, OPEN ROPS..... | 100 | 295 |
| 371 | Ledningsmatta, motor | 150 | 203 | 372 | Kretskort STD, OPEN ROPS | 150 | 297 |
| 371 | Ledningsmatta, motor | 175 | 205 | 372 | Elcentral och ledningsmatta STD, OPEN ROPS | 200 | 301 |
| 371 | Ledningsmatta, generator STD, OPEN ROPS | 200 | 207 | 379 | Ledningar | 100 | 303 |
| 371 | Ledningsmatta, elcentral - motor E-ECU | 250 | 209 | 379 | Slang och förgrening | 150 | 311 |
| 371 | Ledningsmatta, främre STD, OPEN ROPS | 300 | 215 | 379 | Ledningssko | 200 | 317 |
| 371 | Främre ledningsmatta med monteringsdetaljer STD, OPEN ROPS.. | 350 | 221 | 379 | Isolator för flatstift..... | 300 | 321 |
| 371 | Ledningsmatta, under hytt STD, OPEN ROPS..... | 400 | 223 | 379 | Flatstift..... | 400 | 325 |
| 371 | Ledningsmattor, hytt | 450 | 227 | 379 | Isolator för rundstift | 500 | 331 |
| 371 | Ledningsmatta, instrumentpanel STD..... | 500 | 229 | 379 | Rundstift | 600 | 333 |

INNEHÅLLSFÖRTECKNING

| | |
|--------------------------------|---------------------|
| Catalogue id 20007 | Group 300 |
| Issue VOE 63D9920007 | Page 153 |

VOLVO

L90E

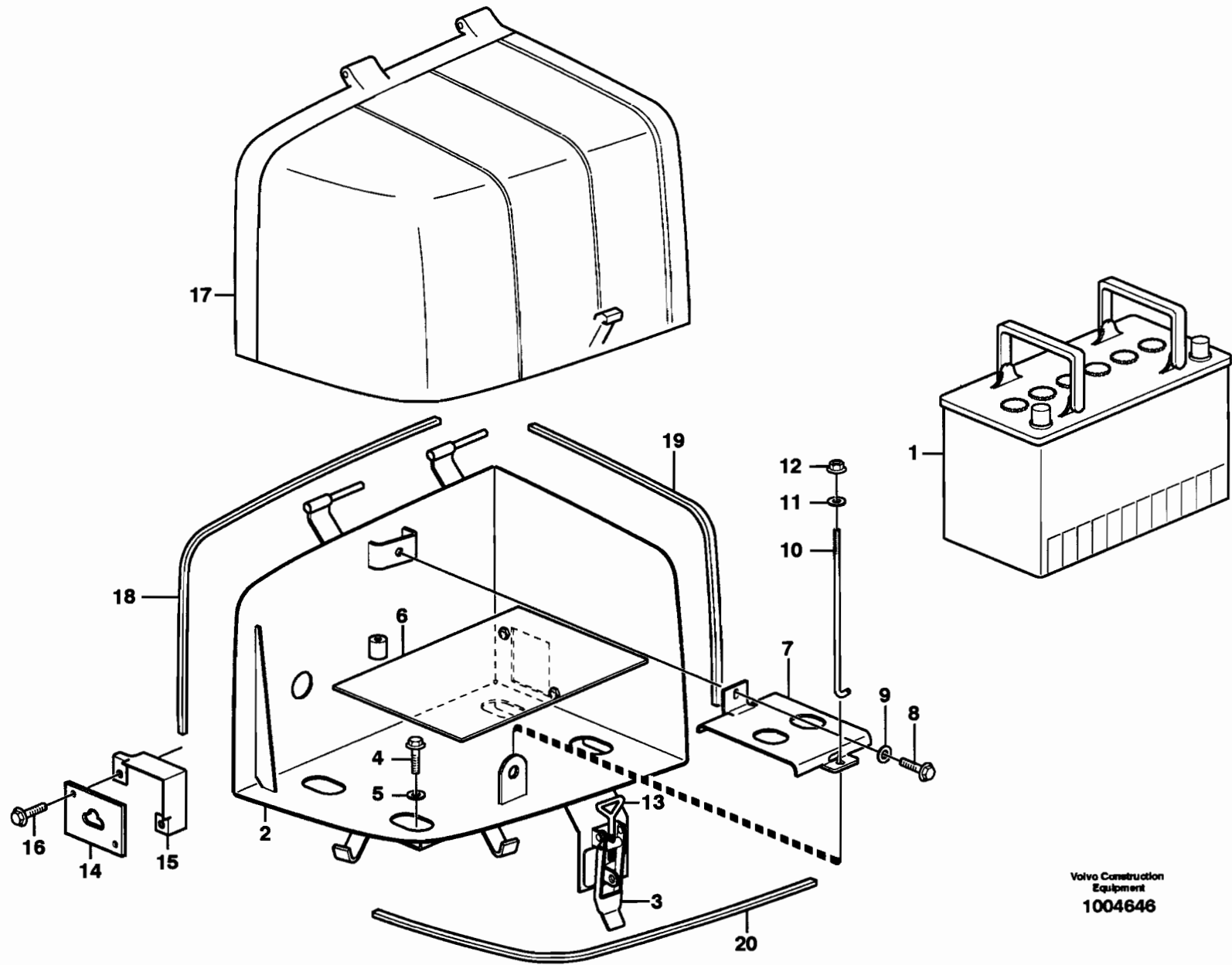
INNEHÅLLSFÖRTECKNING

| | |
|--------------------------------|---------------------|
| Catalogue id 20007 | Group 300 |
| Issue VOE 63D9920007 | Page 154 |

| GRUPP | Avsnitt | Sida | GRUPP | Avsnitt | Sida |
|-------|---|------|-------|---------|------|
| 379 | Fukttäta kontaktdon | 700 | | | 337 |
| 379 | Kopplingsdon | 800 | | | 341 |
| 379 | Isolatorer för timer och flatstift..... | 900 | | | 347 |
| 380 | Instrumentpanel 33277, 94638 | 100 | | | 351 |
| 380 | Instrumentpanel OPEN ROPS..... | 125 | | | 355 |
| 380 | Sidopanel | 150 | | | 359 |
| 380 | Strömbrytare | 200 | | | 361 |
| 386 | Reläer, givare och magnetventiler, referenstabell | 100 | | | 365 |
| 386 | Givare, referenstabell..... | 150 | | | 369 |
| 390 | Kamera inklusive monitor. 82178..... | 100 | | | 375 |
| 393 | Ledningsmatta för radio 80518 | 100 | | | 377 |

VOLVO

Construction Equipment



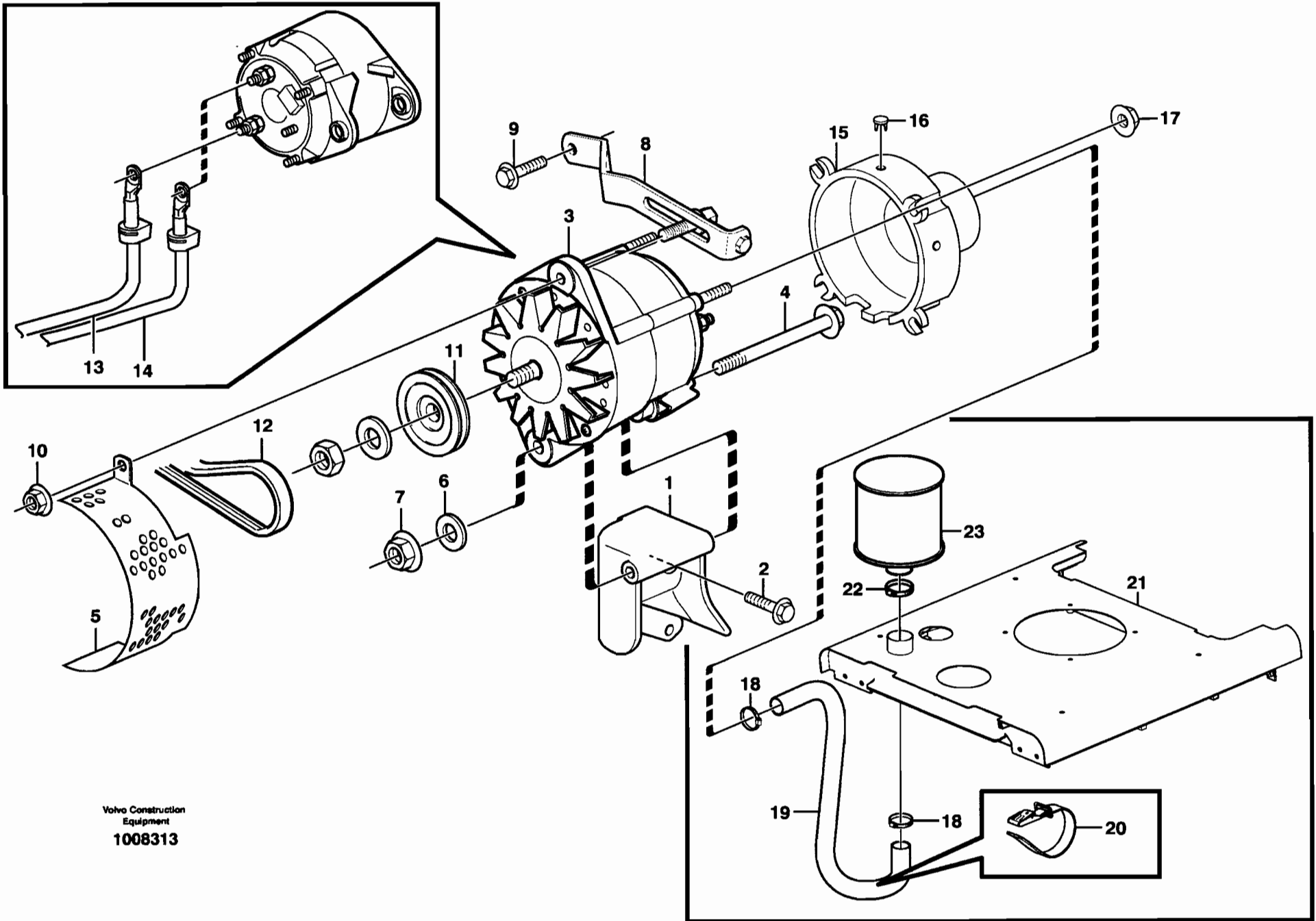
Volvo Construction
Equipment
1004646

| Fig. | Part No. | Quantity | | | | | P S | K I T | Description | Dénomination | Bezeichnung | Denominación | Benämning | Notes |
|------|--------------|----------|---|---|---|----|--------|----------------------|------------------------|-----------------------|-------------------------|---------------------|----------------------|-------|
| | | 1 | 2 | 3 | 4 | 5 | | | | | | | | |
| 1 | VOE 20393421 | 1 | 1 | 1 | 1 | | | Battery | Batterie | Batterie | Bateria | Batteri..... | 33278, 33286, 82151 | |
| | VOE 20393421 | 1 | 1 | | | | | Battery | Batterie | Batterie | Bateria | Batteri..... | (VOE 11170096) 82562 | |
| 2 | VOE 11400993 | 1 | | | | | | Battery Tray | Planch.batterie | Batterieträger | Estante Bateria..... | Batterihylla..... | E PROD | |
| | VOE 11400994 | | 1 | | | | | Battery Tray | Planch.batterie | Batterieträger | Estante Bateria..... | Batterihylla..... | E PROD | |
| | VOE 11413742 | | | 1 | | | | Battery Box | Cage Batterie | Batteriekasten | Caja Bateria..... | Batterilåda..... | L PROD | |
| | VOE 11413743 | | | | 1 | | | Battery Box | Cage Batterie | Batteriekasten | Caja Bateria..... | Batterilåda..... | L PROD | |
| 3 | VOE 11015641 | 1 | 1 | 1 | 1 | | | •Eccentric Lock..... | •Verrou Excentr..... | •Exz Sicherung | •Cerrad Excentr..... | •Excenterlås..... | | |
| 4 | VOE 13965193 | 4 | 4 | 4 | 4 | | | Screw..... | Vis | Schraube | Tornillo..... | Skruv..... | | |
| 5 | VOE 13945544 | 4 | 4 | 4 | 4 | | | Washer | Rondelle | Scheibe | Arandela | Bricka..... | | |
| 6 | VOE 11413135 | 1 | 1 | 1 | 1 | | | Rubber Cloth..... | Toile Caoutcho..... | Gummituch | Tela Goma..... | Gummiduk..... | | |
| 7 | VOE 11413008 | 1 | 1 | 1 | 1 | | | Btry Retainer..... | Porte-batterie | Batteriehalter | Portabateria..... | Batterihållare..... | | |
| 8 | VOE 13946173 | 1 | 1 | 1 | 1 | | | Flange screw | Vis à bride | Flansschraube | Torn embridado..... | Flänsskruv..... | | |
| 9 | VOE 13960141 | 1 | 1 | 1 | 1 | | | Washer | Rondelle | Scheibe | Arandela | Bricka..... | | |
| 10 | VOE 11024826 | 1 | 1 | 1 | 1 | | | Hook | Crochet..... | Haken | Gancho..... | Krok..... | | |
| 11 | VOE 13960141 | 1 | 1 | 1 | 1 | | | Washer | Rondelle | Scheibe | Arandela | Bricka..... | | |
| 12 | VOE 13945408 | 1 | 1 | 1 | 1 | | | Nut..... | Ecrou..... | Mutter..... | Tuerca | Mutter..... | | |
| 13 | VOE 11015640 | 1 | 1 | 1 | 1 | | | Eye Bolt | Boulon Oeillet..... | Ringschraube..... | Perno De Aro..... | Öglebult..... | | |
| 14 | | 1 | 1 | 1 | 1 | NS | | Grommet..... | Passe fil..... | Durchführung | Aislador pasapanel..... | Genomföring..... | | |
| 15 | VOE 11413475 | 1 | | 1 | | | | Ptct Plate | Plaque Protect..... | Schutzplatte | Placa Protecc | Skyddsplatta..... | | |
| | VOE 11413476 | | 1 | | 1 | | | Ptct Plate | Plaque Protect..... | Schutzplatte | Placa Protecc | Skyddsplatta..... | | |
| 16 | VOE 13946173 | 2 | 2 | 2 | 2 | | | Flange screw | Vis à bride | Flansschraube | Torn embridado..... | Flänsskruv..... | | |
| 17 | VOE 11400998 | 1 | | 1 | | | | Battery cover..... | Couvre-batterie..... | Batteriekarstend..... | Tapa bateria | Batterilock..... | | |
| | VOE 11400999 | | 1 | | 1 | | | Battery cover..... | Couvre-batterie..... | Batteriekarstend..... | Tapa bateria | Batterilock..... | | |
| 18 | VOE 4766526 | 1 | 1 | 1 | 1 | | | Sealing strip | Lisse etancheite | Dichtleiste | Moldura reten | Tätninglist..... | L = 640 MM | |
| 19 | VOE 14211217 | 1 | 1 | 1 | 1 | | | Clamping Strip | Lisse Serrage | Klemmleiste | Liston Sujecion | Klämlist..... | L = 530 MM | |
| 20 | VOE 14211217 | 1 | 1 | 1 | 1 | | | Clamping Strip | Lisse Serrage | Klemmleiste | Liston Sujecion | Klämlist..... | L = 620 MM | |

| | | | | |
|---|--------------|--|----------------|------------|
| 1 | RH STD | Batterilåda med monteringsdetaljer Caja de batería con accesorios de montaje Batteriekasten mit Anbauteilen Cage batterie avec pièces de montage Battery box with fitting parts | Catalogue id | Group |
| 2 | LH STD | | 20007 | 313 |
| 3 | RH OPEN ROPS | | Illustr. No | Section |
| 4 | LH OPEN ROPS | | 1004646 | 100 |
| 5 | | | Issue | Page |
| | | VOE 63D9920007 | 157 | |

VOLVO

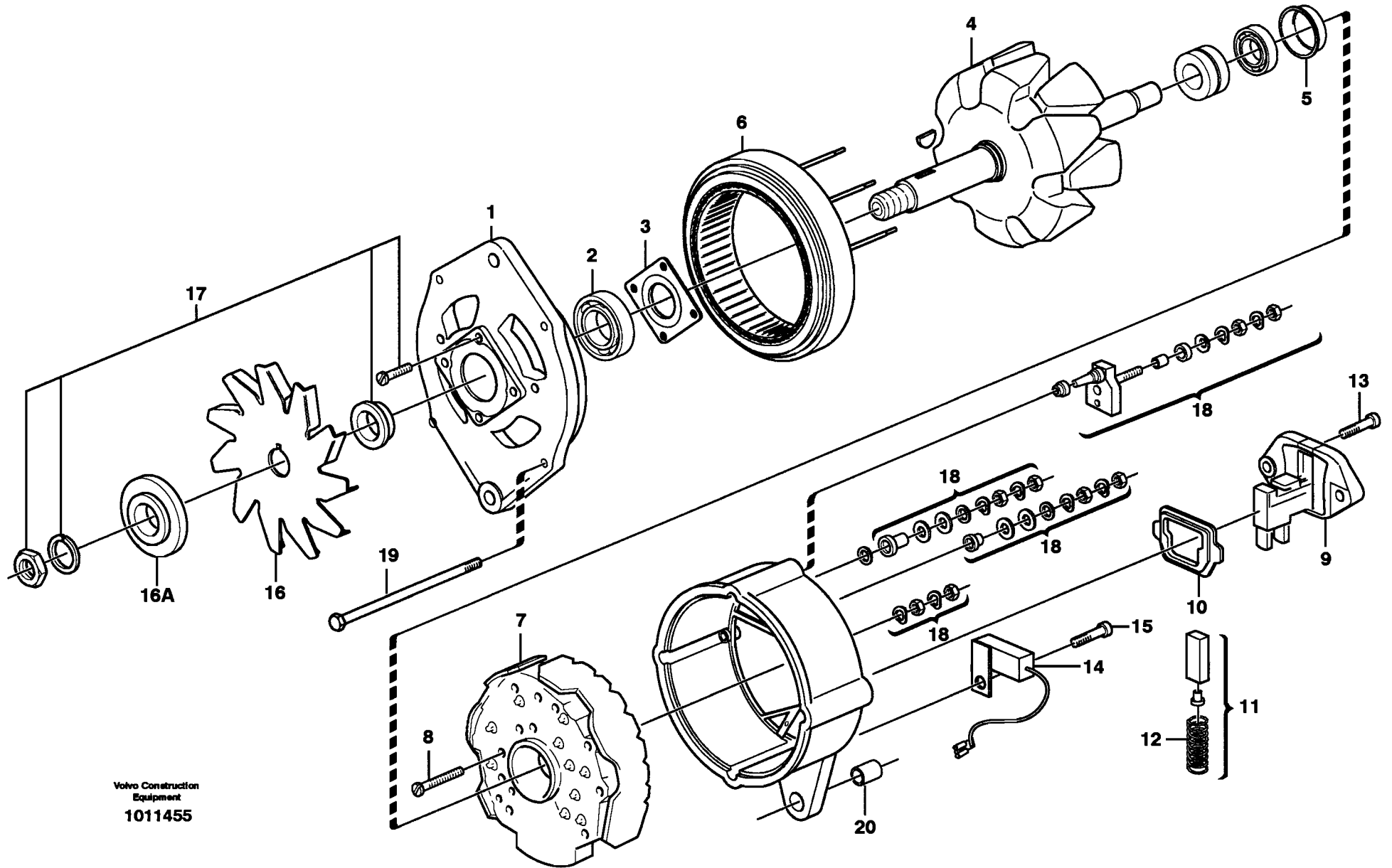
L90E



Volvo Construction
Equipment
1008313

| Fig. | Part No. | Quantity | | | P S | K I T | Description | Dénomination | Bezeichnung | Denominación | Benämning | Notes |
|------|--------------|----------|---|---|--------|----------------------|-----------------------|---------------------|---------------------|----------------|--------------------------------|-------|
| | | 1 | 2 | 3 | | | | | | | | |
| 1 | VOE 11173300 | 1 | | | | Alternator Anchorage | Fixation Alternateur | Lichtmaschinenträge | Fijacion Alternador | Generatorfäste | | |
| 2 | VOE 13965181 | 1 | | | | Flange screw | Vis à bride | Flanschschraube | Torn embridado | Flänsskruv | | |
| 3 | | 1 | | | | Alternator | Alternateur | Lichtmaschine | Alternador | Generator | 55A See group 321, Page 161 | |
| | | 1 | | | | Alternator | Alternateur | Lichtmaschine | Alternador | Generator | 80A See group 321, Page 163 | |
| 4 | VOE 13970988 | 1 | | | | Hexagon screw | Vis a tête hexagonale | Sechskantschr | Tornillo hexago | Sexkantsskruv | | |
| 5 | VOE 11170091 | 1 | | | | Belt Protector | Garde-courroie | Riemenschutz | Protec Correa | Remskydd | | |
| 6 | VOE 13960145 | 1 | | | | Washer | Rondelle | Scheibe | Arandela | Bricka | | |
| 7 | VOE 971099 | 1 | | | | Flange Lock Nut | Contre écrou bride | Flanschmutter | Contratuer Embr | Flänslåsmutter | (VOE 13971099) | |
| 8 | VOE 11170042 | 1 | | | | Tensioner | Tendeur | Spanner | Tensor | Spännare | | |
| | VOE 977820 | 1 | | | | •Hexagon screw | •Vis a tête hexagonal | •Sechskantschr | •Tornillo hexago | •Sexkantsskruv | | |
| | VOE 1675830 | 1 | | | | •Flange screw | •Vis à bride | •Flanschschraube | •Torn embridado | •Flänsskruv | | |
| 9 | VOE 13946173 | 1 | | | | Flange screw | Vis à bride | Flanschschraube | Torn embridado | Flänsskruv | | |
| 10 | VOE 13971098 | 1 | | | | Flange nut | Ecrou accouple | Bundmutter | Tuerca embridada | Flänsmutter | | |
| 11 | VOE 11170026 | 1 | | | | Pulley | Poulie | Riemenscheibe | Polea | Remskiva | | |
| 12 | VOE 978710 | 1 | | | | V-belt | Courroie Trapez | Keilriemen | Correa Trapez | Kilrem | | |
| 13 | | 1 | | | | Wire Assembly | Cable | Leitung | Cable | Ledning | B + See group 371, Page 207 | |
| 14 | | 1 | | | | Wire Assembly | Cable | Leitung | Cable | Ledning | B - See group 371, Page 207 | |
| 15 | VOE 9957941 | 1 | | | | Casing | Boitier | Gehäuse | Cubierta | Kåpa | | |
| 16 | VOE 948665 | 3 | | | | Plug | Bouchon | Stopfen | Tapon | Plugg | | |
| 17 | VOE 13965483 | 4 | | | | Flange Lock Nut | Contre écrou bride | Flanschmutter | Contratuer Embr | Flänslåsmutter | | |
| 18 | VOE 943480 | 2 | | | | Hose Clamp | Collier Serrage | Schlauchschelle | Abraz Manguera | Slangklamma | | |
| 19 | VOE 9518555 | REQ | | | | Hose | Durit | Schlauch | Tubo flexible | Slang | | |
| 20 | VOE 11104606 | 3 | | | | Retaining Strap | Courroi serrage | Halteriemen | Correa Tensora | Spännrem | | |
| | | 1 | | | | Top Plate | Tole Superieure | Deckblech | Placa Superior | Överplåt | See group 821, Page 623 | |
| 22 | VOE 14346256 | 1 | | | | Hose Clamp | Collier Serrage | Schlauchschelle | Abraz Manguera | Slangklamma | | |
| 23 | VOE 11033214 | 1 | | | | Air filter | Filtre a air | Luftfilter | Filtro de aire | Luftfilter | | |

| | | | | |
|---|----------------|---|-----------------------|------------|
| 1 | STD, OPEN ROPS | Generator med monteringsdetaljer Alternador con asesorios de montaje Generator mit Anbauteilen Alternateur avec pieces de montage Alternator with assembling details | Catalogue id | Group |
| 2 | 82546 | | 20007 | 321 |
| 3 | | | Illustr. No | Section |
| 4 | | | 1008313 | 100 |
| 5 | | | Issue | Page |
| | | STD, OPEN ROPS | VOE 63D9920007 | 159 |



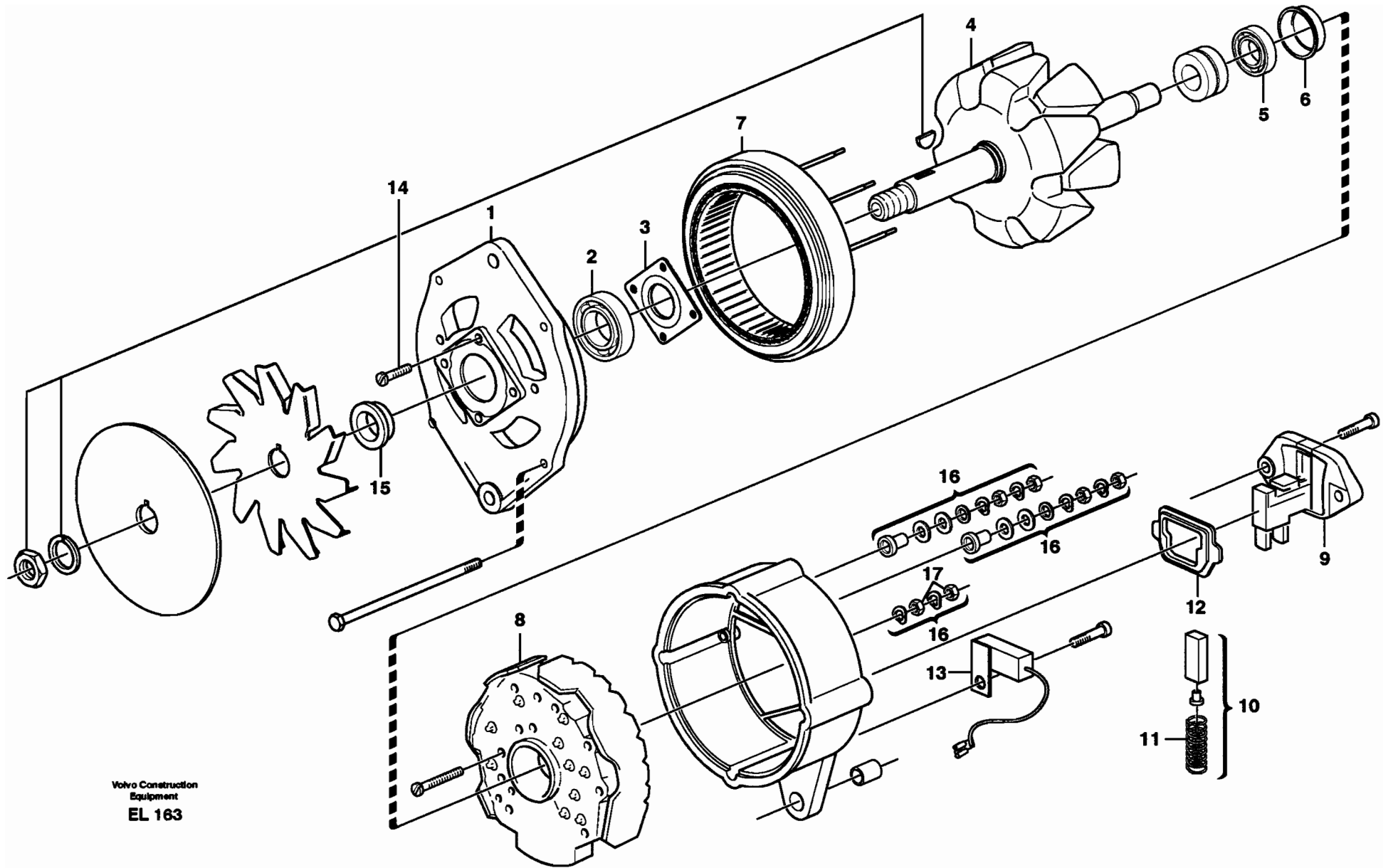
Volvo Construction
Equipment
1011455

| Fig. | Part No. | Quantity | | | P S | K I T | Description | Dénomination | Bezeichnung | Denominación | Benämning | Notes |
|------|--------------|----------|---|---|--------|------------------------|------------------------|-------------------------|-------------------------|---------------------|----------------|-------|
| | | 1 | 2 | 3 | | | | | | | | |
| | VOE 11170011 | 1 | | | | Alternator | Alternateur | Lichtmaschine | Alternador..... | Generator..... | | |
| 1 | | 1 | | | NS | •Bearing shield | •Flasque | •Lagerschild..... | •Defensa cojinete | •Lagersköld..... | | |
| 2 | VOE 3091567 | 1 | | | | •Ball Bearing | •Roulemen.billes | •Kugellager..... | •Cojinete Bolas..... | •Kullager..... | | |
| 3 | VOE 3091568 | 1 | | | | •Retainer | •Retenue | •Halter | •Soporte | •Hållare | | |
| 4 | | 1 | | | NS | •Rotor..... | •Rotor..... | •Rotor..... | •Rotor..... | •Rotor..... | | |
| 5 | VOE 1698183 | 1 | | | | •Bushing..... | •Bague | •Buchse | •Casquillo | •Bussning..... | | |
| 6 | VOE 1697032 | 1 | | | | •Stator | •Stator | •Ständer | •Estator..... | •Stator..... | | |
| 7 | VOE 3090431 | 1 | | | | •Rectifier | •Redresseur | •Gleichrichter..... | •Rectificador | •Likriktare..... | | |
| 8 | VOE 1698188 | 2 | | | | •Screw..... | •Vis..... | •Schraube..... | •Tornillo | •Skruv..... | | |
| 9 | VOE 1625880 | 1 | | | | •Regulator | •Regulateur | •Regler | •Regulador | •Regulator..... | | |
| 10 | VOE 3090261 | 1 | | | | ••Gasket..... | ••Joint..... | ••Dichtung | ••Junta | ••Packning..... | | |
| 11 | VOE 1362710 | 1 | | | | ••Carbon Brush Set.... | ••Jeu Balais | ••Kohleburstensatz..... | ••Jueg Escobillas..... | ••Kolborstsats..... | | |
| 12 | VOE 1323485 | 2 | | | | •••Spring..... | •••Ressort..... | •••Feder | •••Muelle | •••Fjäder..... | | |
| 13 | VOE 3523050 | 2 | | | | •Screw..... | •Vis..... | •Schraube..... | •Tornillo | •Skruv..... | | |
| 14 | VOE 244347 | 1 | | | | •Capacitor | •Condensateur | •Kondensator..... | •Condensador | •Kondensator..... | | |
| 15 | VOE 1697033 | 1 | | | | •Screw..... | •Vis..... | •Schraube..... | •Tornillo | •Skruv..... | | |
| 16 | VOE 1613241 | 1 | | | | •Fan | •Ventilateur..... | •Ventilator..... | •Ventilador..... | •Fläkt..... | | |
| 16A | VOE 3987785 | 1 | | | | •Washer | •Rondelle..... | •Scheibe | •Arandela..... | •Bricka..... | (VOE 11713024) | |
| 17 | VOE 11000286 | 1 | | | | •Small Parts Kit | •Kit Petit.piece..... | •Kleinteilesatz..... | •Jg Pieza Pequen..... | •Smådelsats..... | | |
| 18 | VOE 244611 | 1 | | | | •Small Parts Kit | •Kit Petit.piece..... | •Kleinteilesatz..... | •Jg Pieza Pequen..... | •Smådelsats..... | | |
| 19 | VOE 11708889 | 4 | | | | •Screw..... | •Vis..... | •Schraube..... | •Tornillo | •Skruv..... | | |
| 20 | VOE 85100100 | 1 | | | | •Bushing..... | •Bague | •Buchse | •Casquillo | •Bussning..... | | |

| | | | | |
|---|--|---|-----------------------|------------|
| 1 | | Generator, 55A Alternador, 55A Lichtmaschine, 55A Dynamo, 55A Alternator, 55A STD, OPEN ROPS | Catalogue id | Group |
| 2 | | | 20007 | 321 |
| 3 | | | Illustr. No | Section |
| 4 | | | 1011455 | 150 |
| 5 | | | Issue | Page |
| | | | VOE 63D9920007 | 161 |

VOLVO

L90E



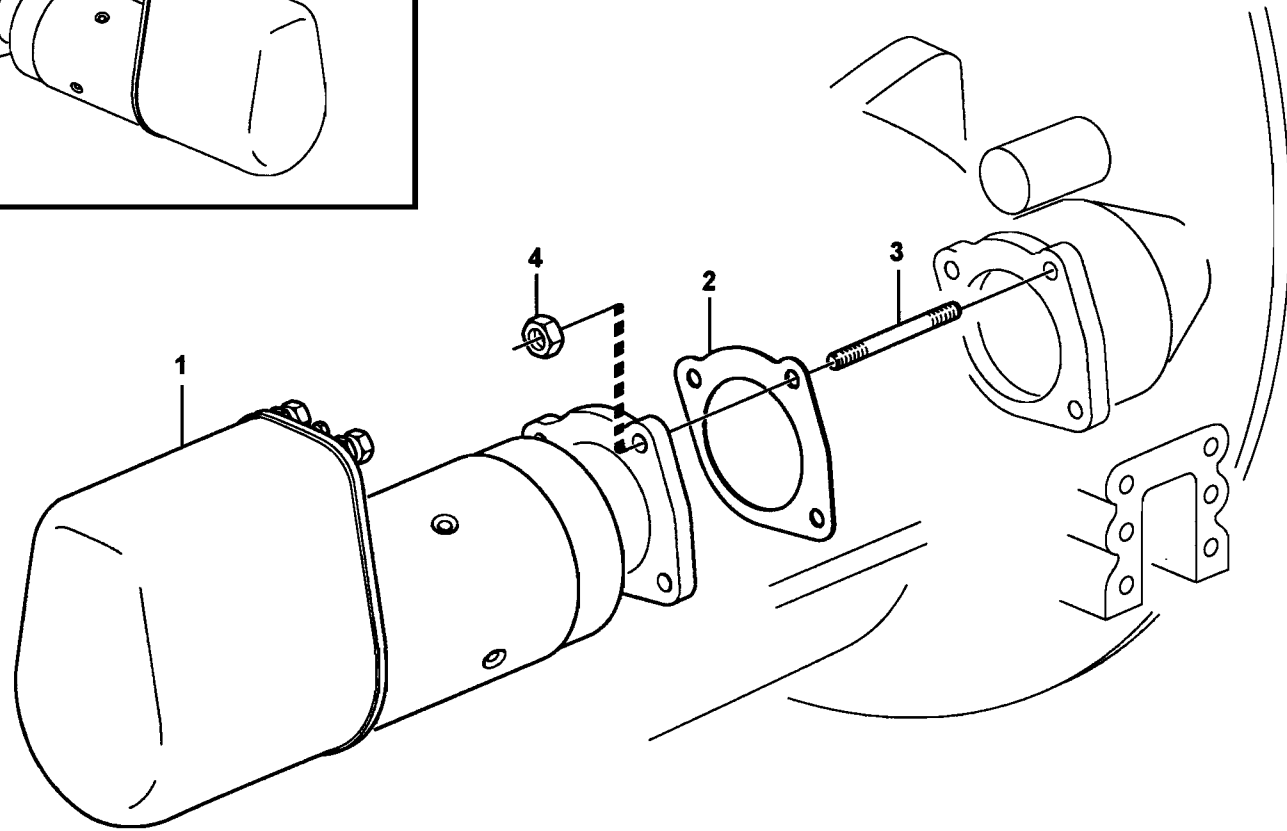
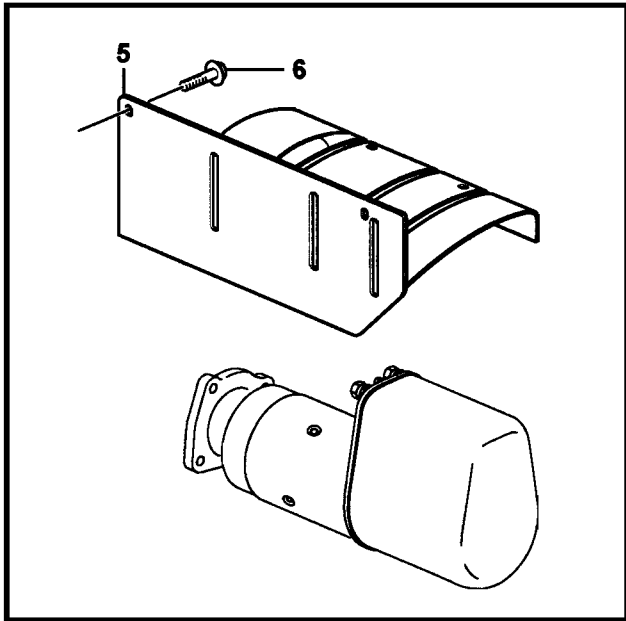
Volvo Construction
 Equipment
 EL 163

| Fig. | Part No. | Quantity | | | P S | K I T | Description | Dénomination | Bezeichnung | Denominación | Benämning | Notes |
|------|--------------|----------|---|---|--------|------------------------|------------------------|------------------------|-------------------------|----------------------|-----------|-------|
| | | 1 | 2 | 3 | | | | | | | | |
| 1 | VOE 9521761 | 1 | | | | Alternator | Alternateur | Lichtmaschine | Alternador..... | Generator..... | | |
| | | 1 | | | NS | •Bearing shield | •Flasque | •Lagerschild..... | •Defensa cojinete | •Lagersköld..... | | |
| 2 | VOE 3091567 | 1 | | | | •Ball Bearing | •Roulemen.billes | •Kugellager..... | •Cojinete Bolas..... | •Kullager..... | | |
| 3 | VOE 3091568 | 1 | | | | •Retainer | •Retenue | •Halte | •Soporte | •Hållare | | |
| 4 | VOE 3091569 | 1 | | | | •Rotor..... | •Rotor | •Rotor | •Rotor | •Rotor..... | | |
| 5 | VOE 85100098 | 1 | | | | •Ball Bearing | •Roulemen.billes | •Kugellager..... | •Cojinete Bolas..... | •Kullager..... | | |
| 6 | VOE 1698183 | 1 | | | | •Bushing | •Bague | •Buchse | •Casquillo | •Bussning..... | | |
| 7 | VOE 3090432 | 1 | | | | •Stator | •Stator | •Ständer | •Estator..... | •Stator..... | | |
| 8 | VOE 3090431 | 1 | | | | •Rectifier | •Redresseur | •Gleichrichter..... | •Rectificador | •Likriktare..... | | |
| 9 | VOE 1625880 | 1 | | | | •Regulator | •Regulateur | •Regler | •Regulador | •Regulator..... | | |
| 10 | VOE 1362710 | 1 | | | | ••Carbon Brush Set.... | ••Jeu Balais | ••Kohleburstensatz.... | ••Jueg Escobillas..... | ••Kolborstsats..... | | |
| 11 | VOE 1323485 | 2 | | | | ••Spring | ••Ressort..... | ••Feder | ••Muelle | ••Fjäder..... | | |
| 12 | VOE 3090261 | 1 | | | | ••Gasket | ••Joint | ••Dichtung | ••Junta | ••Packning..... | | |
| 13 | VOE 244347 | 1 | | | | •Capacitor | •Condensateur | •Kondensator..... | •Condensador | •Kondensator..... | | |
| 14 | | 1 | | | NS | •Small parts kit | •Kit petit.piece | •Kleinteilesatz..... | •Jueg piez pequ..... | •Smådelsats..... | | |
| 15 | VOE 3090426 | 1 | | | | •Bushing..... | •Bague | •Buchse | •Casquillo | •Bussning..... | | |
| 16 | VOE 244611 | 1 | | | | •Small Parts Kit | •Kit Petit.piece..... | •Kleinteilesatz..... | •Jg Pieza Pequen..... | •Smådelsats..... | | |
| 17 | VOE 940197 | 2 | | | | •Hexagon Nut..... | •Ecrou Hexagonal | •Sechskantmutter..... | •Tuerca Hexagon | •Sexkantsmutter..... | | |

| | | | |
|---|---|----------------|---------|
| 1 | Generator, 80A. Alternador, 80A. Lichtmaschine, 80A. Dynamo, 80A. Alternator, 80A. 80317 | Catalogue id | Group |
| 2 | | 20007 | 321 |
| 3 | | Illustr. No | Section |
| 4 | | EL163 | 200 |
| 5 | | Issue | Page |
| | | VOE 63D9920007 | 163 |

VOLVO

L90E

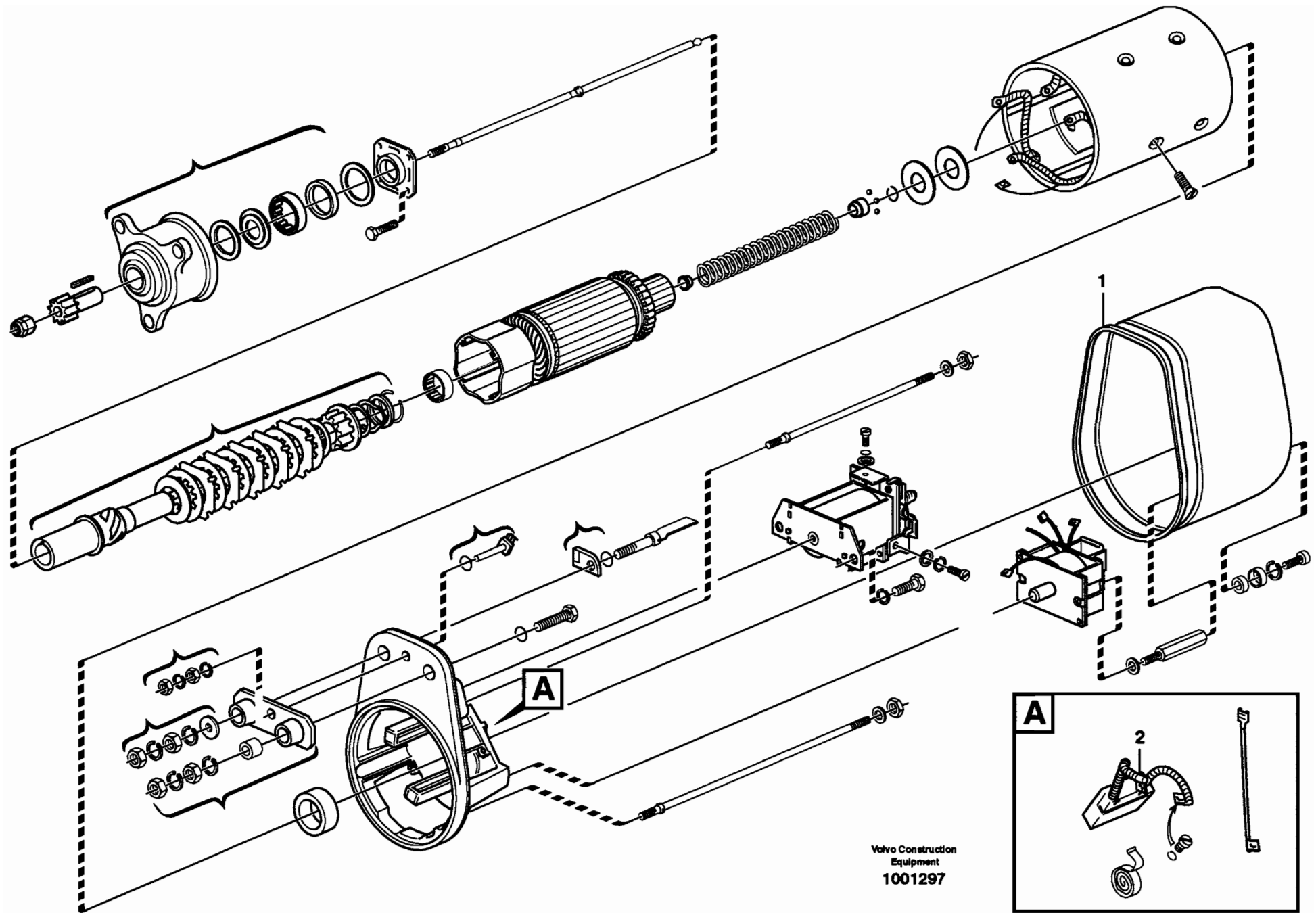


| Fig. | Part No. | Quantity | | | P S | K I T | Description | Dénomination | Bezeichnung | Denominación | Benämning | Notes |
|------|--------------|----------|---|---|--------|-------------|---------------------|--------------------------|-----------------------|----------------------|----------------------|-------------------------|
| | | 1 | 2 | 3 | | | | | | | | |
| 1 | | 1 | | | | | Starter motor | Demarreur | Anlasser | Motor arranque | Startmotor | See group 331, Page 167 |
| 2 | VOE 20459065 | 1 | | | | | Sealing ring | Bague d'étanchéité | Runddichtring | Anillo reten | Tättningsring | |
| 3 | VOE 20509407 | 3 | | | | | Stud | Goujon | Stiftschraube | Esparrago | Pinnskruv | |
| 4 | VOE 971071 | 3 | | | | | Hexagon Nut | Ecrou Hexagonal | Sechskantmutter | Tuerca Hexagon | Sexkantsmutter | |
| 5 | VOE 20714251 | 1 | | | | | Guard Plate | Deflecteur | Abweiser | Deflector | Avvisare | |
| 6 | VOE 20405898 | 2 | | | | | Screw | Vis | Schraube | Tornillo | Skruv | |

| | | | |
|---|--|----------------|------------|
| 1 | Startmotor med monteringsdetaljer Motor de arranque con asesorios de montaje Anlasser mit Anbauteilen Démarreur avec pieces de montage Starter motor with assembling details STD, OPEN ROPS | Catalogue id | Group |
| 2 | | 20007 | 331 |
| 3 | | Illustr. No | Section |
| 4 | | 1009288 | 100 |
| 5 | | Issue | Page |
| | | VOE 63D9920007 | 165 |

VOLVO

L90E



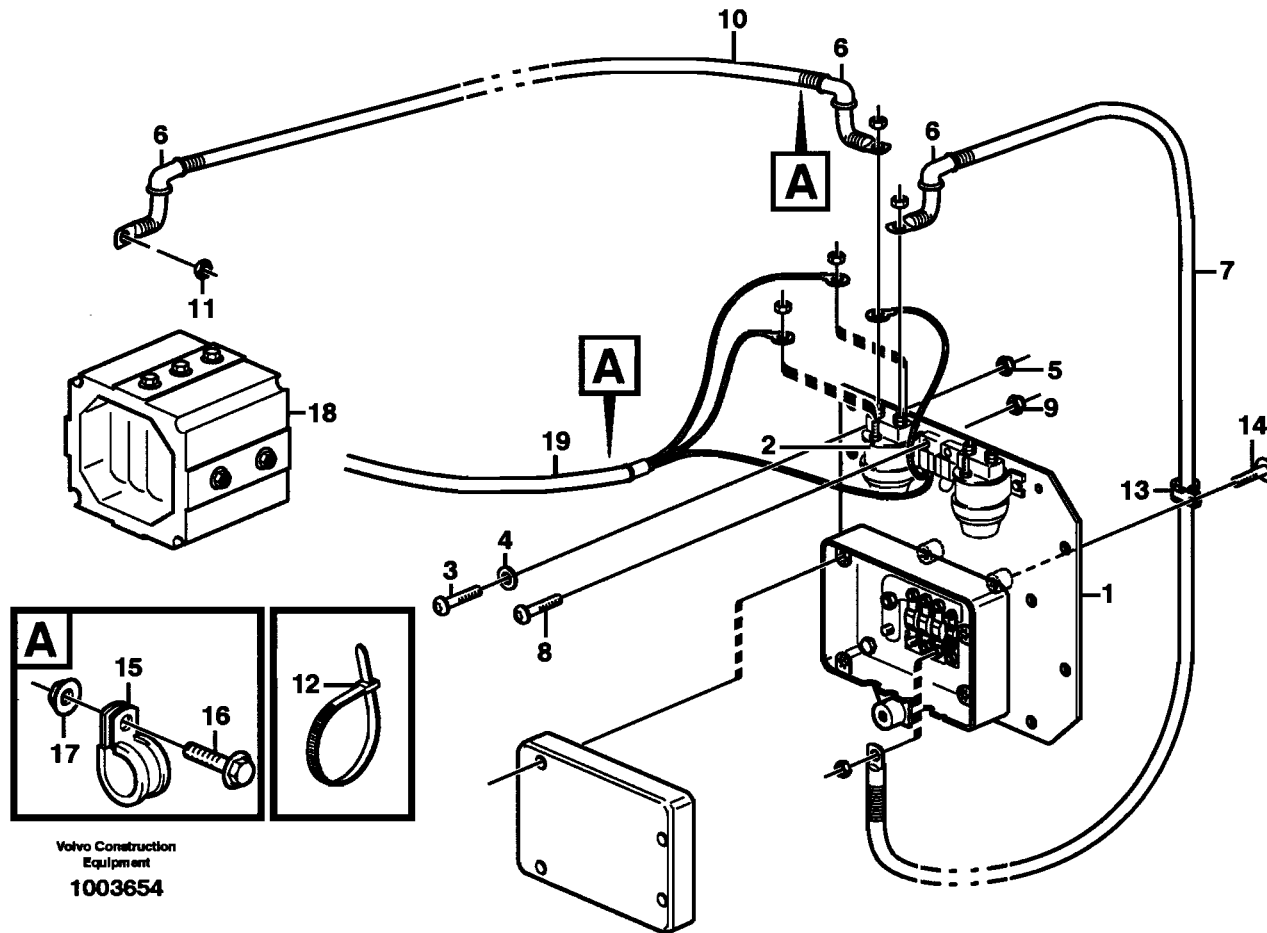
Valvo Construction
Equipment
1001297

| Fig. | Part No. | Quantity | | | P S | K I T | Description | Dénomination | Bezeichnung | Denominación | Benämning | Notes |
|----------|---------------------|----------|---|---|--------|-------------|---------------------|-------------------------|---------------------|------------------------|---------------------|-------|
| | | 1 | 2 | 3 | | | | | | | | |
| | VOE 20459062 | 1 | | | | | Starter Motor | Demarreur | Anlasser | Motor de arranque..... | Startmotor..... | |
| 1 | VOE 20464779 | 1 | | | | | •Sealing ring..... | •Bague d'étanchéité ... | •Runddichtring..... | •Anillo reten | •Tättningsring..... | |
| 2 | VOE 20464778 | 1 | | | | | •Brush | •Balai..... | •Bürste..... | •Escobilla..... | •Borste..... | |

| | | | | |
|----------|--|--|-----------------------|----------------|
| 1 | | Startmotor Motor de arranque Anlasser Démarrreur Starter motor STD, OPEN ROPS | Catalogue id | Group |
| 2 | | | 20007 | 331 |
| 3 | | | Illustr. No | Section |
| 4 | | | 1001297 | 150 |
| 5 | | | Issue | Page |
| | | | VOE 63D9920007 | 167 |

VOLVO

L90E



Volvo Construction
 Equipment
 1003654

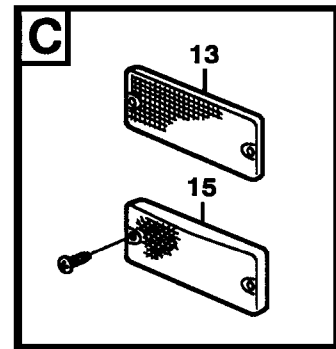
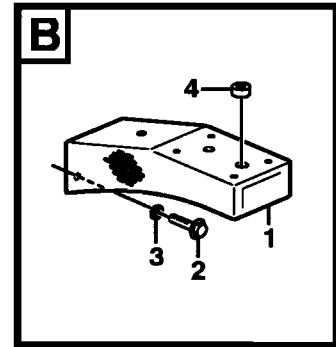
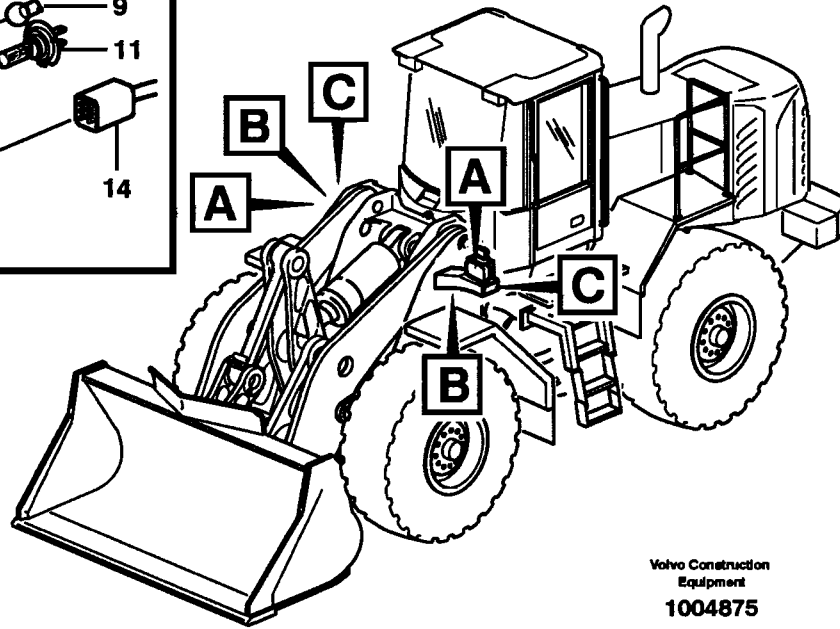
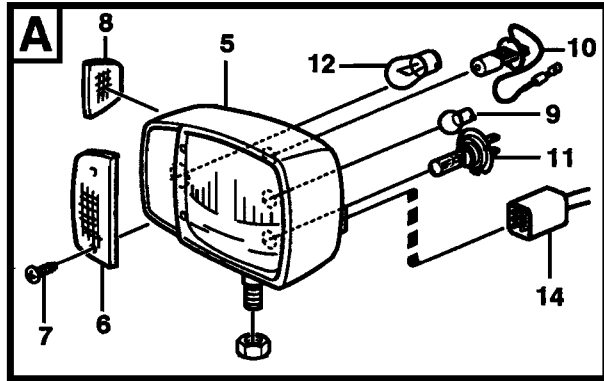
| Fig. | Part No. | Quantity | | | P S | K I T | Description | Dénomination | Bezeichnung | Denominación | Benämning | Notes |
|------|--------------|----------|---|---|--------|----------------------|---------------------------|----------------------|----------------------------|----------------------|-------------------------|-------|
| | | 1 | 2 | 3 | | | | | | | | |
| 1 | | 1 | | | | Plate..... | Plaque..... | Platte..... | Placa..... | Platta..... | See group 371, Page 199 | |
| 2 | VOE 20367490 | 1 | | | | Relay..... | Relais..... | Relais..... | Rele..... | Relä..... | RE2501 | |
| 3 | VOE 969407 | 2 | | | | 6-pt skt screw..... | Vis creuse de 6..... | Hohlschraube..... | Racor 6-dientes..... | Sextandhålskruv..... | | |
| 4 | VOE 13960138 | 2 | | | | Washer..... | Rondelle..... | Scheibe..... | Arandela..... | Bricka..... | | |
| 5 | VOE 13949874 | 2 | | | | Flange Lock Nut..... | Contre écrou bride..... | Flanschmutter..... | Contratuer Embr..... | Flänslåsmutter..... | | |
| 6 | VOE 241308 | 3 | | | | Protective cap..... | Capuchon de protecti..... | Schutzkappe..... | Cubierta de protecció..... | Skyddshatt..... | | |
| 7 | VOE 11170527 | 1 | | | | Wire..... | Cable..... | Leitung..... | Cable..... | Ledning..... | 1245) | |
| 8 | VOE 969407 | 1 | | | | 6-pt skt screw..... | Vis creuse de 6..... | Hohlschraube..... | Racor 6-dientes..... | Sextandhålskruv..... | | |
| 9 | VOE 13949874 | 1 | | | | Flange Lock Nut..... | Contre écrou bride..... | Flanschmutter..... | Contratuer Embr..... | Flänslåsmutter..... | | |
| 10 | VOE 11170733 | 1 | | | | Wire..... | Cable..... | Leitung..... | Cable..... | Ledning..... | 1245) | |
| 11 | VOE 7017624 | 1 | | | | Nut..... | Ecrou..... | Mutter..... | Tuerca..... | Mutter..... | | |
| 12 | VOE 4881440 | 2 | | | | Strip Clamp..... | Ruban Serrage..... | Kabelbinder..... | Abraz Cinta..... | Bandklamma..... | | |
| 13 | VOE 980614 | 1 | | | | Clamp..... | Pince Serrage..... | Klemme..... | Abrazadera..... | Klämma..... | | |
| 14 | VOE 13946173 | 1 | | | | Flange screw..... | Vis à bride..... | Flanschschraube..... | Torn embridado..... | Flänsskruv..... | | |
| 15 | VOE 13949746 | 2 | | | | Clamp..... | Pince Serrage..... | Klemme..... | Abrazadera..... | Klämma..... | | |
| 16 | VOE 13946173 | 2 | | | | Flange screw..... | Vis à bride..... | Flanschschraube..... | Torn embridado..... | Flänsskruv..... | | |
| 17 | VOE 948645 | 2 | | | | Flange Lock Nut..... | Contre écrou bride..... | Flanschmutter..... | Contratuer Embr..... | Flänslåsmutter..... | | |
| 18 | | 1 | | | | Heater..... | Elément de chauffag..... | Heizkörper..... | Calefaccion..... | Värmeelement..... | See group 251, Page 97 | |
| 19 | | 1 | | | | Cable harness..... | Faisceau cables..... | Kabelbaum..... | Manojo cables..... | Ledningsmatta..... | See group 371, Page 209 | |

1245) GB: Including parts: Wire assembly, hose, manifold, cable terminal and isolator See Group 379. FR: Article: cable, flexible, tubulure, cosse cable y isolant. See Group 379 DE: Artikeln: El leitung, Schlauch, Verzweigung, Kabelschuh und Isolator. See Group 379. ES: Artículo: cable, manguera, bifurcacion, terminal cable et aislador. See Group 379. SE: Artiklar: ledning, slang, förgrening, ledningssko och isolator. See Group 379

| | | | |
|---|---|-----------------------|------------|
| 1 | Förvärmare med monteringsdetaljer Precalentador con accesorios de montaje Vorwärmer mit Anbauteilen Préchauffeur avec pièces de montage Pre-heater with fitting parts STD, OPEN ROPS | Catalogue id | Group |
| 2 | | 20007 | 333 |
| 3 | | Illustr. No | Section |
| 4 | | 1003654 | 100 |
| 5 | | Issue | Page |
| | | VOE 63D9920007 | 169 |

VOLVO

L90E



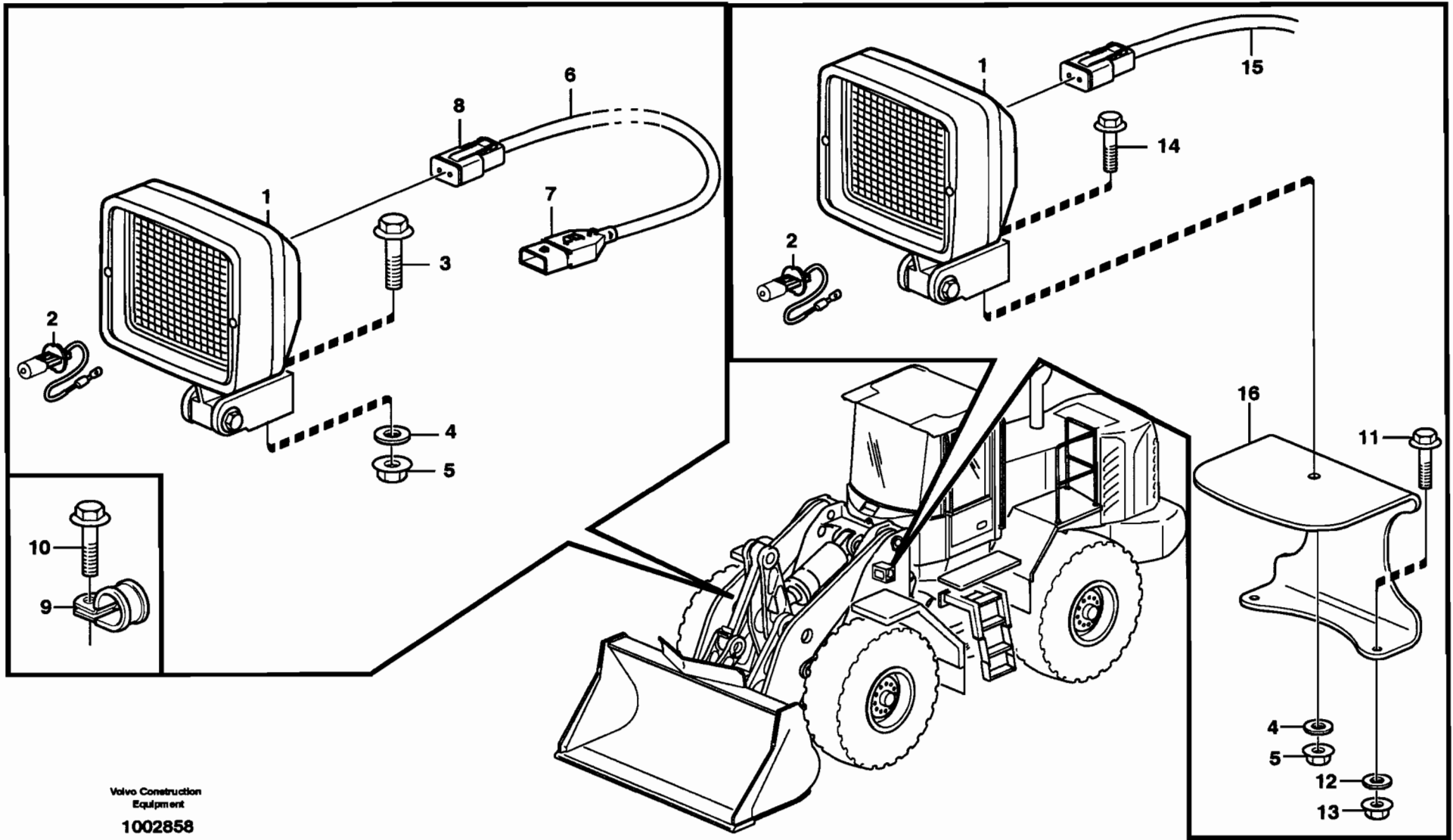
Volvo Construction
Equipment
1004875

| Fig. | Part No. | Quantity | | | | | P S | K I T | Description | Dénomination | Bezeichnung | Denominación | Benämning | Notes |
|------|--------------|----------|---|---|---|---|--------|---------------------|-----------------------|-----------------------|----------------------|----------------------|-------------------------|-------|
| | | 1 | 2 | 3 | 4 | 5 | | | | | | | | |
| 1 | VOE 11400930 | 2 | | | | | | Bracket..... | Console | Konsole..... | Consola | Konsol..... | | |
| 2 | VOE 946329 | 8 | | | | | | Flange screw | Vis à bride | Flanschschraube | Torn embridado | Flänsskruv..... | | |
| 3 | VOE 13960143 | 8 | | | | | | Washer | Rondelle | Scheibe | Arandela | Bricka..... | | |
| 4 | VOE 941269 | 2 | | | | | | Plug..... | Bouchon | Stopfen | Tapon | Plugg..... | OD = 25 MM | |
| 5 | VOE 11170059 | 1 | | | | | | Headlamp | Phare..... | Scheinwerfer..... | Faro | Strålkastare..... | LH | |
| | VOE 11170060 | 1 | | | | | | Headlamp | Phare..... | Scheinwerfer..... | Faro | Strålkastare..... | RH | |
| | VOE 11170062 | | 1 | | | | | Headlamp | Phare..... | Scheinwerfer..... | Faro | Strålkastare..... | LH | |
| | VOE 11170063 | | 1 | | | | | Headlamp | Phare..... | Scheinwerfer..... | Faro | Strålkastare..... | RH | |
| 6 | VOE 11988200 | 2 | 2 | | | | | •Lens..... | •Verre | •Lichtscheibe..... | •Lente | •Glas..... | | |
| 7 | VOE 11988201 | 4 | 4 | | | | | •Screw | •Vis | •Schraube | •Tornillo | •Skruv..... | | |
| 8 | VOE 11988202 | 2 | 2 | | | | | •Lens..... | •Verre | •Lichtscheibe..... | •Lente | •Glas..... | | |
| 9 | VOE 967711 | 2 | 2 | | | | | •Bulb | •Ampoule..... | •Glühlampe | •Bombilla | •Glödlampa..... | 4 W | |
| 10 | VOE 943903 | 2 | 2 | | | | | •Bulb | •Ampoule..... | •Glühlampe | •Bombilla | •Glödlampa..... | 70 W | |
| 11 | VOE 982559 | 2 | 2 | | | | | •Bulb | •Ampoule..... | •Glühlampe | •Ampolla | •Glödlampa..... | 70 W | |
| 12 | VOE 967708 | 2 | 2 | | | | | •Bulb | •Ampoule..... | •Glühlampe | •Ampolla | •Glödlampa..... | 21 W | |
| 13 | VOE 1578835 | 4 | | | | | | Side Mkg Refl | Reflect.lateral | Seitenrefl Band | Captafaros Lat..... | Sidomark.reflex..... | | |
| 14 | | 1 | | | | | | Cable harness..... | Faisceau cables | Kabelbaum..... | Manojo cables | Ledningsmatta..... | See group 371, Page 215 | |
| 15 | VOE 11170068 | | | 2 | | | | Side Mkg Lamp..... | Feu Gaba.later. | Seitbegr Leucht..... | Lamp Enmarcac | Sidomark.lykta..... | | |

| | | | | |
|---|----------------|---|--------------|---------|
| 1 | STD, OPEN ROPS | Belysning, främre Alumbrado, delantero Beleuchtung, vorder Eclairage, antérieur Lighting, front | Catalogue id | Group |
| 2 | 82175 | | 20007 | 352 |
| 3 | 82174 | | Illustr. No | Section |
| 4 | | | 1004875 | 100 |
| 5 | | | Issue | Page |
| | | VOE 63D9920007 | 171 | |

VOLVO

L90E



Volvo Construction
Equipment
1002858

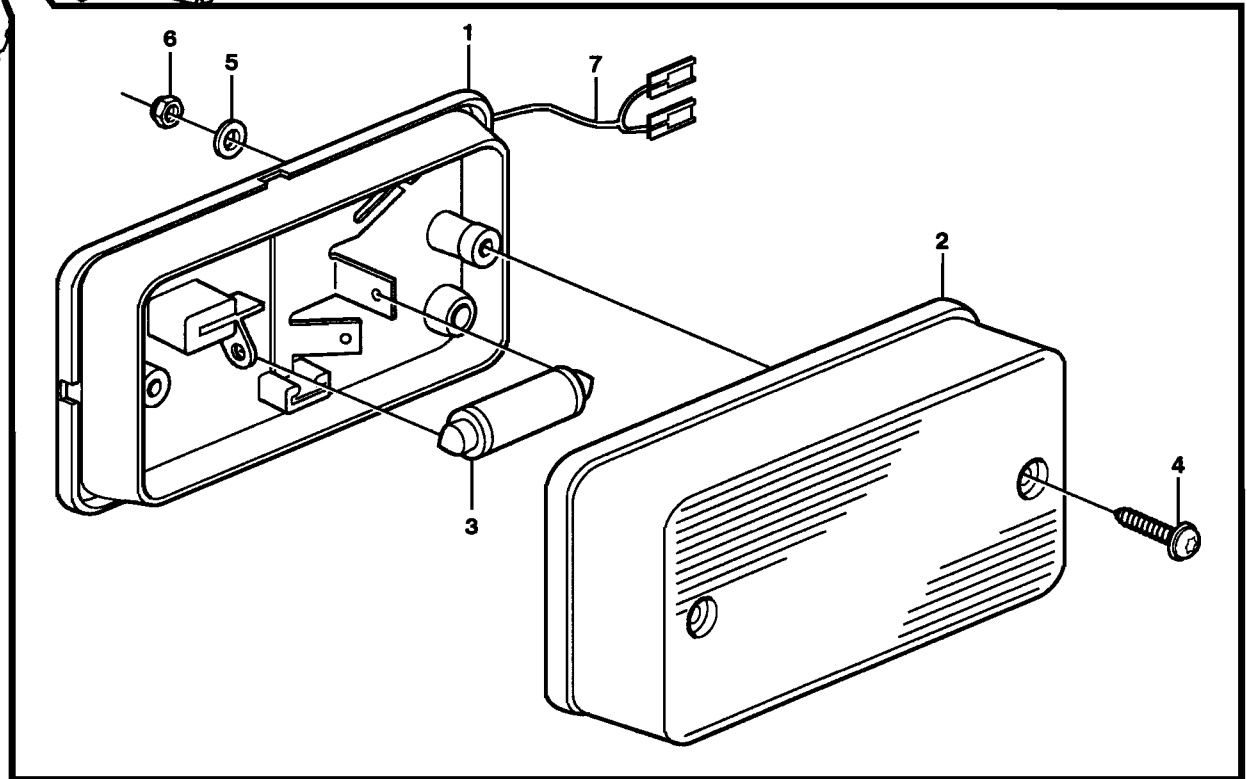
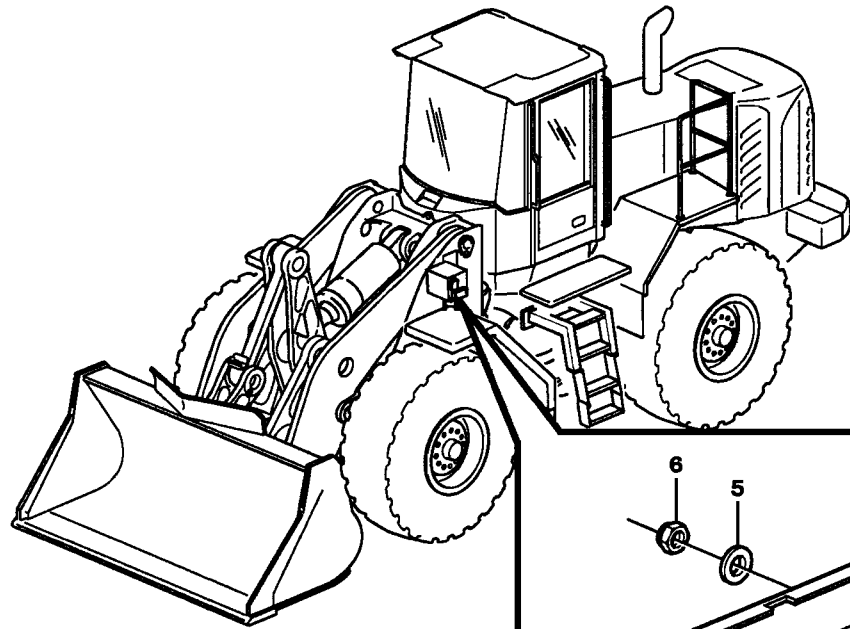
| Fig. | Part No. | Quantity | | | P S | K I T | Description | Dénomination | Bezeichnung | Denominación | Benämning | Notes |
|------|--------------|----------|---|---|--------|--------------------|-----------------------|----------------------|------------------------|--------------------|-------------------------|-------|
| | | 1 | 2 | 3 | | | | | | | | |
| 1 | VOE 11039846 | 2 | 1 | | | Work Lamp..... | Lampe Travail | Arbeitslampe | Lampara Trabajo..... | Arbetslampan..... | | |
| 2 | VOE 943903 | 2 | 1 | | | •Bulb | •Ampoule..... | •Glühlampe..... | •Bombilla | •Glödlampa..... | 24V/70W | |
| 3 | VOE 946472 | | 1 | | | Flange screw..... | Vis à bride | Flanschschraube..... | Torn embridado..... | Flänsskruv..... | | |
| 4 | VOE 13960143 | 2 | 1 | | | Washer..... | Rondelle | Scheibe | Arandela | Bricka..... | | |
| 5 | VOE 13971095 | 2 | 1 | | | Flange nut..... | Ecrou accouple. | Bundmutter..... | Tuerca embridada | Flänsmutter..... | | |
| 6 | VOE 11170528 | | 1 | | | Cable harness..... | Faisceau cables | Kabelbaum | Manejo cables | Ledningsmatta..... | 1245) | |
| 7 | VOE 8143240 | | 1 | | | •Insulator..... | •Isolateur..... | •Isolator | •Aislador | •Isolator..... | | |
| 8 | VOE 14370760 | | 1 | | | •Socket..... | •Socle..... | •Steckdose | •Toma De Corrien | •Stickdosa..... | | |
| 9 | VOE 13949746 | | 1 | | | Clamp..... | Pince Serrage | Klemme | Abrazadera..... | Klämma..... | | |
| 10 | VOE 13946173 | | 1 | | | Flange screw..... | Vis à bride | Flanschschraube..... | Torn embridado..... | Flänsskruv..... | | |
| 11 | VOE 13946173 | 4 | | | | Flange screw..... | Vis à bride | Flanschschraube..... | Torn embridado..... | Flänsskruv..... | | |
| 12 | VOE 13960141 | 4 | | | | Washer..... | Rondelle | Scheibe | Arandela | Bricka..... | | |
| 13 | VOE 13945408 | 4 | | | | Nut | Ecrou..... | Mutter | Tuerca | Mutter..... | | |
| 14 | VOE 946329 | 2 | | | | Flange screw..... | Vis à bride | Flanschschraube..... | Torn embridado..... | Flänsskruv..... | | |
| 15 | | | | 1 | | Wire harness..... | Faisceau cables | Kabelbaum..... | Manejo cables | Ledningsmatta..... | See group 371, Page 215 | |
| 16 | VOE 11400768 | 2 | | | | Ptct Plate..... | Plaque Protect | Schutzplatte | Placa Protecc | Skyddsplatta..... | | |

1245) GB: Including parts: Wire assembly, hose, manifold, cable terminal and isulator See Group 379. FR: Article: cable, flexible, tubulure, cosse cable y isolant. See Group 379 DE: Artikeln: El leitung, Schlauch, Verzweigung, Kabelschuh und Isolator. See Group 379. ES: Articulo: cable, manguera, bifurcacion, terminal cable et aislador. See Group 379. SE: Artiklar: ledning, slang, förgrening, ledningssko och isolator. See Group 379

| | | | | |
|---|-------|---|----------------|---------|
| 1 | 82342 | Arbeitsbelysning, fram. Alumbrado de trabajo, delantero. Arbeitsscheinwerfer, vorder. Phare de travail. Work lights, front. | Catalogue id | Group |
| 2 | 80886 | | 20007 | 352 |
| 3 | 33278 | | Illustr. No | Section |
| 4 | | | 1002858 | 150 |
| 5 | | | Issue | Page |
| | | | VOE 63D9920007 | 173 |

VOLVO

L90E



Volvo Construction
Equipment
EL 179

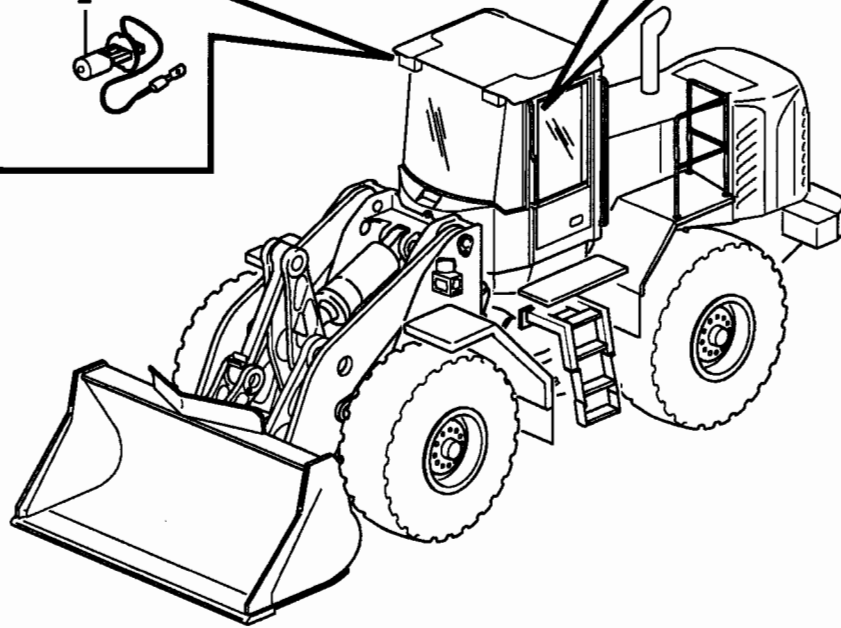
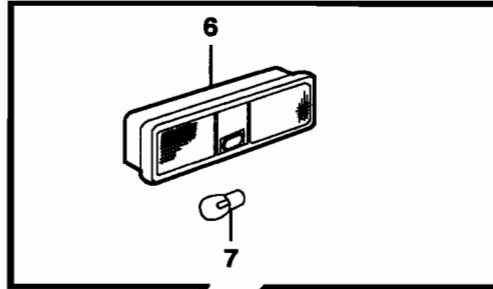
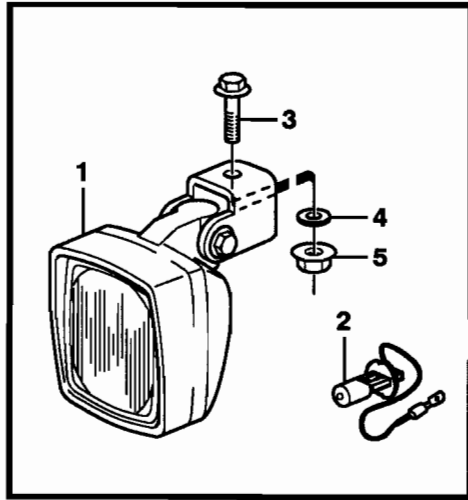
| Fig. | Part No. | Quantity | | | P S | K I T | Description | Dénomination | Bezeichnung | Denominación | Benämning | Notes |
|------|---------------------|----------|---|---|--------|---------------------|-----------------------|------------------------|-------------------------|----------------------|-----------|-------|
| | | 1 | 2 | 3 | | | | | | | | |
| | VOE 1576682 | 2 | | | | Side Mkg Lamp | Feu Gaba.later. | Seitbegr Leucht | Lamp Enmarcac | Sidomark.lykta | | |
| 1 | | 2 | | | NS | •Socket..... | •Connexio.elect | •Elansschluss | •Conex electricia | •Hylskontakt..... | | |
| 2 | VOE 1576684 | 2 | | | | •Lens | •Lentille | •Linse | •Lente | •Lins..... | | |
| 3 | VOE 7019926 | 2 | | | | Bulb..... | Ampoule..... | Glühlampe..... | Ampolla | Glödlampa | | |
| 4 | VOE 13969516 | 4 | | | | Screw..... | Vis | Schraube..... | Tornillo | Skruv..... | | |
| 5 | VOE 13960138 | 4 | | | | Washer..... | Rondelle | Scheibe | Arandela..... | Bricka..... | | |
| 6 | VOE 13963103 | 4 | | | | Lock nut | Contre-ecrou | Sicherungsmutter | Contratuerca | Låsmutter..... | | |
| 7 | | 2 | | | NS | Cable harness..... | Faisceau cables | Kabelbaum | Manejo cables | Ledningsmatta | 1245) | |

1245) **GB:** Including parts: Wire assembly, hose, manifold, cable terminal and isolator See Group 379. **FR:** Article: cable, flexible, tubulure, cosse cable y isolant. See Group 379 **DE:** Artikeln: Elleitung, Schlauch, Verzweigung, Kabelschuh und Isolator. See Group 379. **ES:** Articulo: cable, manguera, bifurcacion, terminal cable et aislador. See Group 379. **SE:** Artiklar: ledning, slang, förgrening, ledningssko och isolator. See Group 379

| | | | | |
|---|--|--|-----------------------|------------|
| 1 | | Sidomarkeringslykta. Lampara enmarcacion. Seitenbegrenzungsleuchte. Feu gabarit lateral. Side marking lamp. 80352 | Catalogue id | Group |
| 2 | | | 20007 | 352 |
| 3 | | | Illustr. No | Section |
| 4 | | | EL179 | 200 |
| 5 | | | Issue | Page |
| | | | VOE 63D9920007 | 175 |

VOLVO

L90E



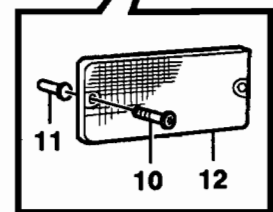
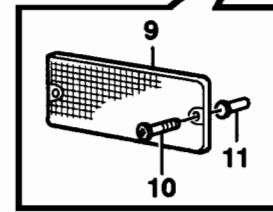
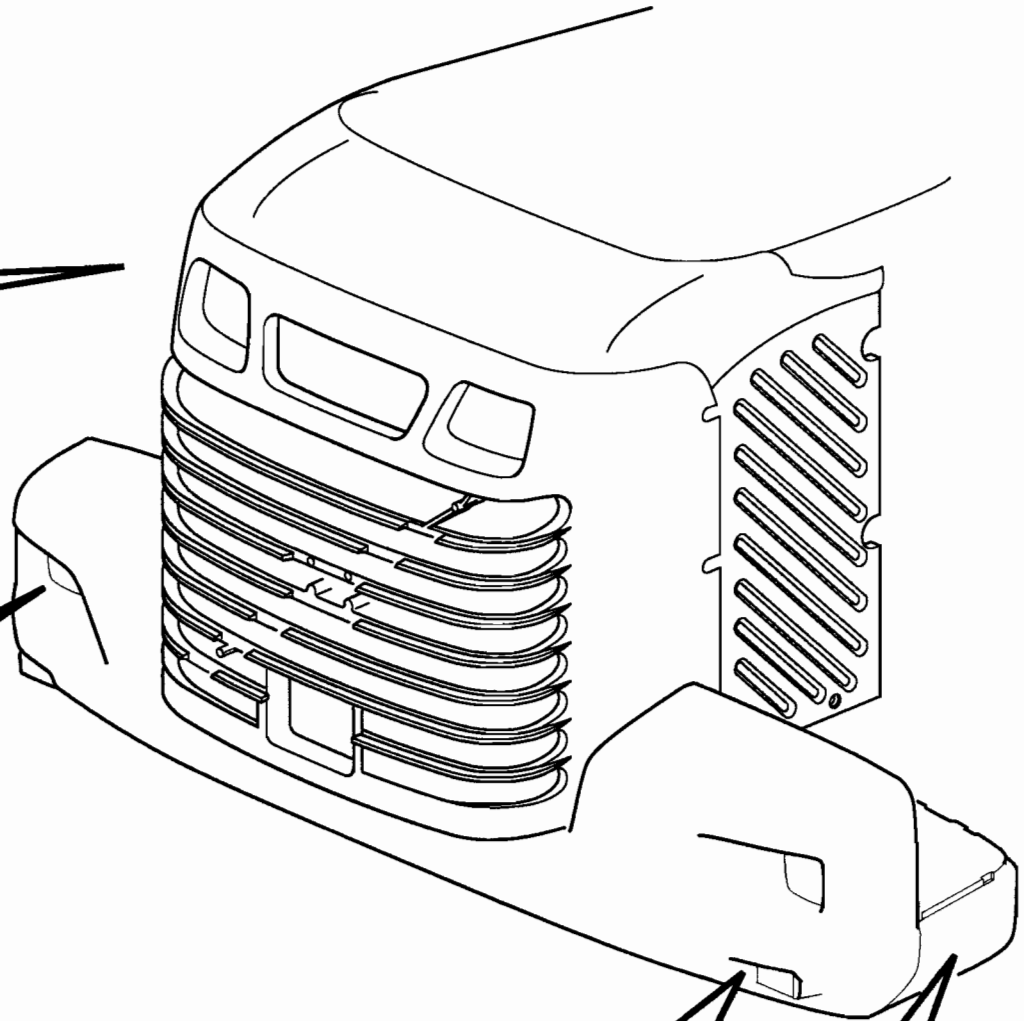
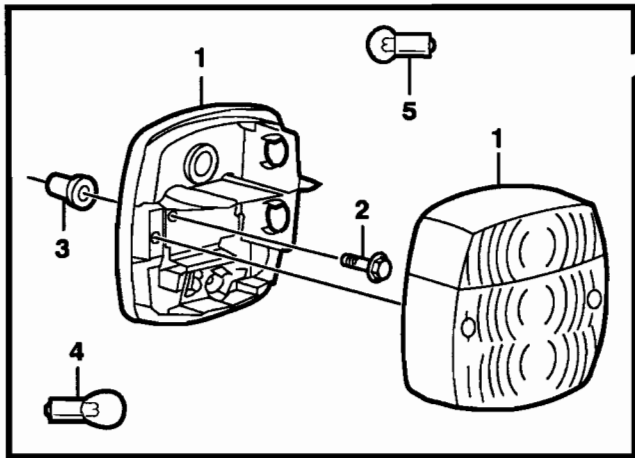
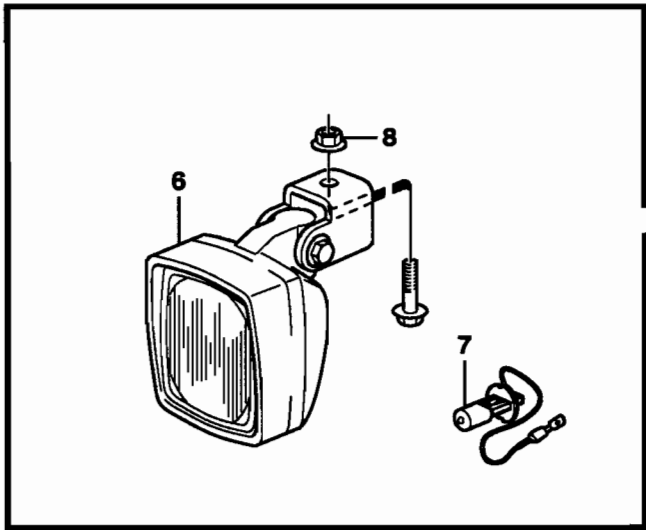
Volvo Construction
Equipment
EL 185

| Fig. | Part No. | Quantity | | | | | P S | K T | Description | Dénomination | Bezeichnung | Denominación | Benämning | Notes |
|------|--------------|----------|---|---|---|---|--------|--------------------|----------------------|---------------------|----------------------|-------------------|------------|-------|
| | | 1 | 2 | 3 | 4 | 5 | | | | | | | | |
| 1 | VOE 11039846 | 2 | | | | | | Work Lamp | Lampe Travail..... | Arbeitslampe | Lampara Trabajo | Arbetslampa | CAB - 1802 | |
| | VOE 11170010 | 2 | | | | | | Work Lamp | Lampe Travail..... | Arbeitslampe | Lampara Trabajo | Arbetslampa | CAB 1803 - | |
| | VOE 11170010 | | 2 | | | | | Work Lamp | Lampe Travail..... | Arbeitslampe | Lampara Trabajo | Arbetslampa | | |
| 2 | VOE 943903 | 2 | 2 | | | | | •Bulb | •Ampoule | •Glühlampe | •Bombilla | •Glödlampa..... | 24V/70W | |
| 3 | VOE 946329 | 2 | 2 | | | | | Flange screw | Vis à bride | Flanschschrabe | Torn embridado | Flänsskruv..... | | |
| 4 | VOE 13960143 | 2 | 2 | | | | | Washer | Rondelle | Scheibe | Arandela | Bricka | | |
| 5 | VOE 13971095 | 2 | 2 | | | | | Flange nut..... | Ecrou accouple. | Bundmutter | Tuerca embridad | Flänsmutter..... | | |
| 6 | VOE 20438083 | 1 | | | | | | Lamp | Lampe | Leuchte | Lampara | Lykta..... | CAB - 1802 | |
| | VOE 11039292 | 1 | | | | | | Interior Lamp..... | Lampe Inter. | Innenleuchte | Lamp Interior | Innerlampa..... | CAB 1803 - | |
| 7 | VOE 967710 | 1 | | | | | | •Bulb | •Ampoule | •Glühlampe | •Bombilla | •Glödlampa..... | 24V/10W | |
| | VOE 967708 | 1 | | | | | | •Bulb | •Ampoule | •Glühlampe | •Ampolla | •Glödlampa..... | 24V/21W | |

| | | | | |
|---|------------------|---|--------------|---------|
| 1 | STD | Belysning, hytt Alumbrado, cabina Beleuchtung, Kabine Eclairage, cabine Lighting, cab | Catalogue id | Group |
| 2 | OPEN ROPS, 82875 | | 20007 | 352 |
| 3 | | | Illustr. No | Section |
| 4 | | | EL185 | 250 |
| 5 | | | Issue | Page |
| | | VOE 63D9920007 | 177 | |

VOLVO

L90E



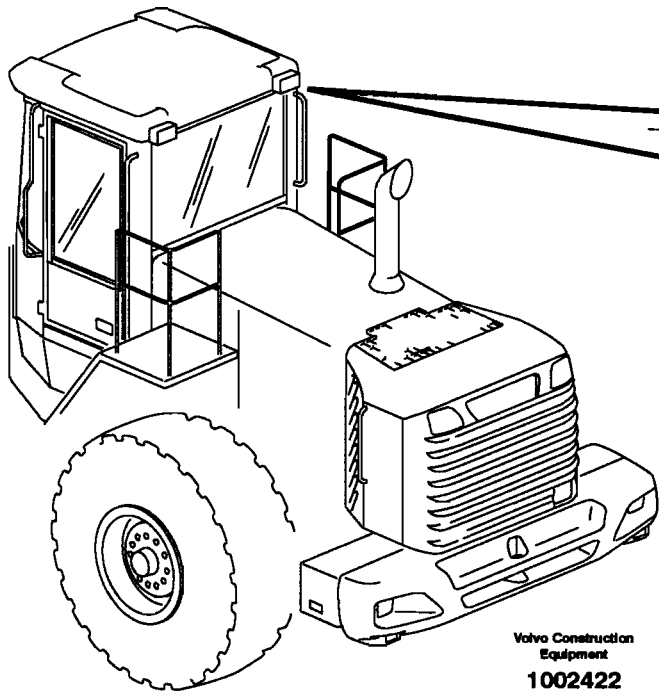
Volvo Construction
Equipment
1000842

| Fig. | Part No. | Quantity | | | P S | K I T | Description | Dénomination | Bezeichnung | Denominación | Benämning | Notes |
|------|--------------|----------|---|---|--------|-------------|-----------------------|--------------------------|-----------------------|-----------------------|-----------------------|-------|
| | | 1 | 2 | 3 | | | | | | | | |
| 1 | VOE 11039553 | 2 | | | | | Tail Light | Feu Ar | Heckleuchte | Piloto Trasero | Baklykta | |
| 2 | VOE 969587 | 4 | | | | | 6-pt skt screw | Vis creuse de 6 | Hohlschraube | Racor 6-dientes | Sextandhålskruv | |
| 3 | VOE 930761 | 4 | | | | | Expanding Nut | Ecrou Expandeur | Spreizmutter | Tuerca Expan | Expandermutter | |
| 4 | VOE 967708 | 4 | | | | | Bulb | Ampoule | Glühlampe | Ampolla | Glödlampa | 21W |
| 5 | VOE 967710 | 2 | | | | | Bulb | Ampoule | Glühlampe | Bombilla | Glödlampa | 10W |
| 6 | VOE 11039846 | 2 | | | | | Work Lamp | Lampe Travail | Arbeitslampe | Lampara Trabajo | Arbetslampan | |
| 7 | VOE 943903 | 2 | | | | | •Bulb | •Ampoule | •Glühlampe | •Bombilla | •Glödlampa | 70W |
| 8 | VOE 948645 | 2 | | | | | Flange Lock Nut | Contre écrou bride | Flanschmutter | Contratuer Embr | Flänslåsmutter | |
| 9 | VOE 11039276 | 4 | | | | | Reflector | Catadioptré | Reflektor | Reflector | Reflektor | RED |
| 10 | VOE 13969516 | 4 | | | | | Screw | Vis | Schraube | Tornillo | Skruv | |
| 11 | VOE 930757 | 4 | | | | | Expanding Nut | Ecrou Expandeur | Spreizmutter | Tuerca Expan | Expandermutter | |
| 12 | VOE 1578835 | 2 | | | | | Side Mkg Refl | Reflect.lateral | Seitenrefl Band | Captafaros Lat | Sidomark.reflex | YELL |

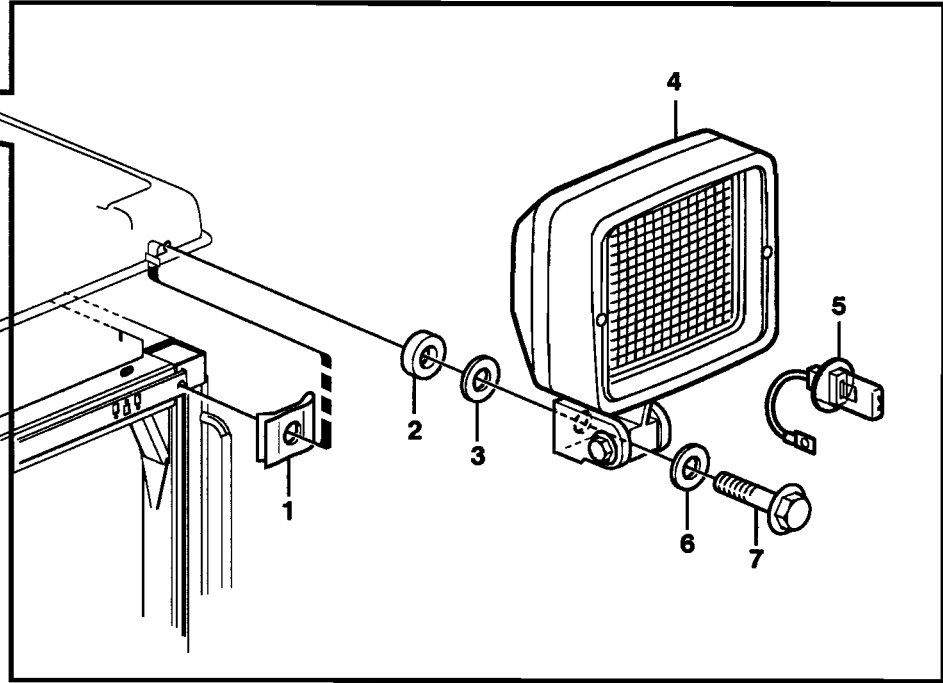
| | | | | |
|---|--|---|-----------------------|------------|
| 1 | | Belysning, bakre Alumbrado, trasero Beleuchtung, hinter Eclairage, arrière Lighting, rear STD, OPEN ROPS | Catalogue id | Group |
| 2 | | | 20007 | 353 |
| 3 | | | Illustr. No | Section |
| 4 | | | 1000842 | 100 |
| 5 | | | Issue | Page |
| | | | VOE 63D9920007 | 179 |

VOLVO

L90E



Volvo Construction
Equipment
1002422

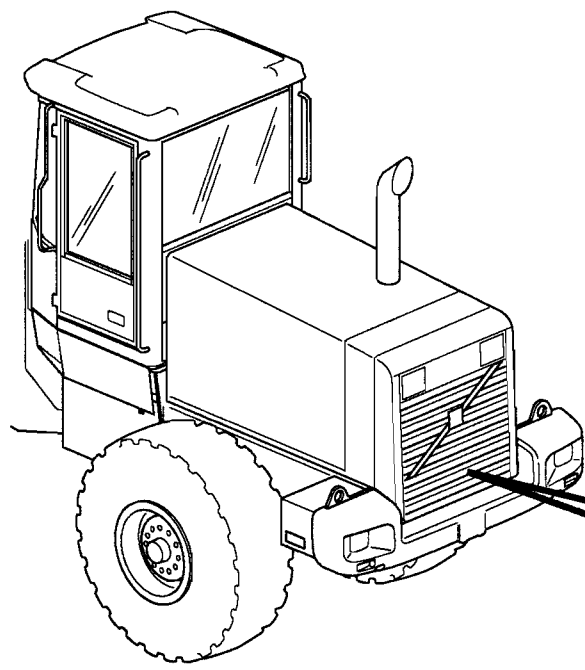


| Fig. | Part No. | Quantity | | | P S | K I T | Description | Dénomination | Bezeichnung | Denominación | Benämning | Notes |
|------|--------------|----------|---|---|--------|--------------------|--------------------------|-------------------------|----------------------|-------------------|-----------|-------|
| | | 1 | 2 | 3 | | | | | | | | |
| 1 | VOE 13949867 | 2 | | | | Spring Nut..... | Ecrou Ressort | Fed. Schliessmutter ... | Tuerca Resorte | Fjädermutter..... | | |
| 2 | VOE 930428 | 2 | | | | Spacer Ring | Bagu.entretoise | Abstandring | Anillo Dist | Distansring..... | | |
| 3 | VOE 11104399 | 2 | | | | Rubber Washer..... | Rondelle Caoutchouc..... | Gummischeibe | Arandela Goma | Gummibricka..... | | |
| 4 | VOE 11170009 | | 2 | | | Work Lamp..... | Lampe Travail | Arbeitslampe | Lampara Trabajo..... | Arbetslampa..... | | |
| 5 | VOE 943903 | | 2 | | | •Bulb | •Ampoule..... | •Glühlampe..... | •Bombilla | •Glödlampa..... | 24V/70W | |
| 6 | VOE 13960141 | 2 | | | | Washer..... | Rondelle | Scheibe | Arandela | Bricka..... | | |
| 7 | VOE 13945444 | 2 | | | | Flange screw..... | Vis à bride | Flanschschaube | Torn embridado..... | Flänsskruv..... | | |
| | VOE 946440 | | | 2 | | Flange screw..... | Vis à bride | Flanschschaube..... | Torn embridado..... | Flänsskruv..... | | |

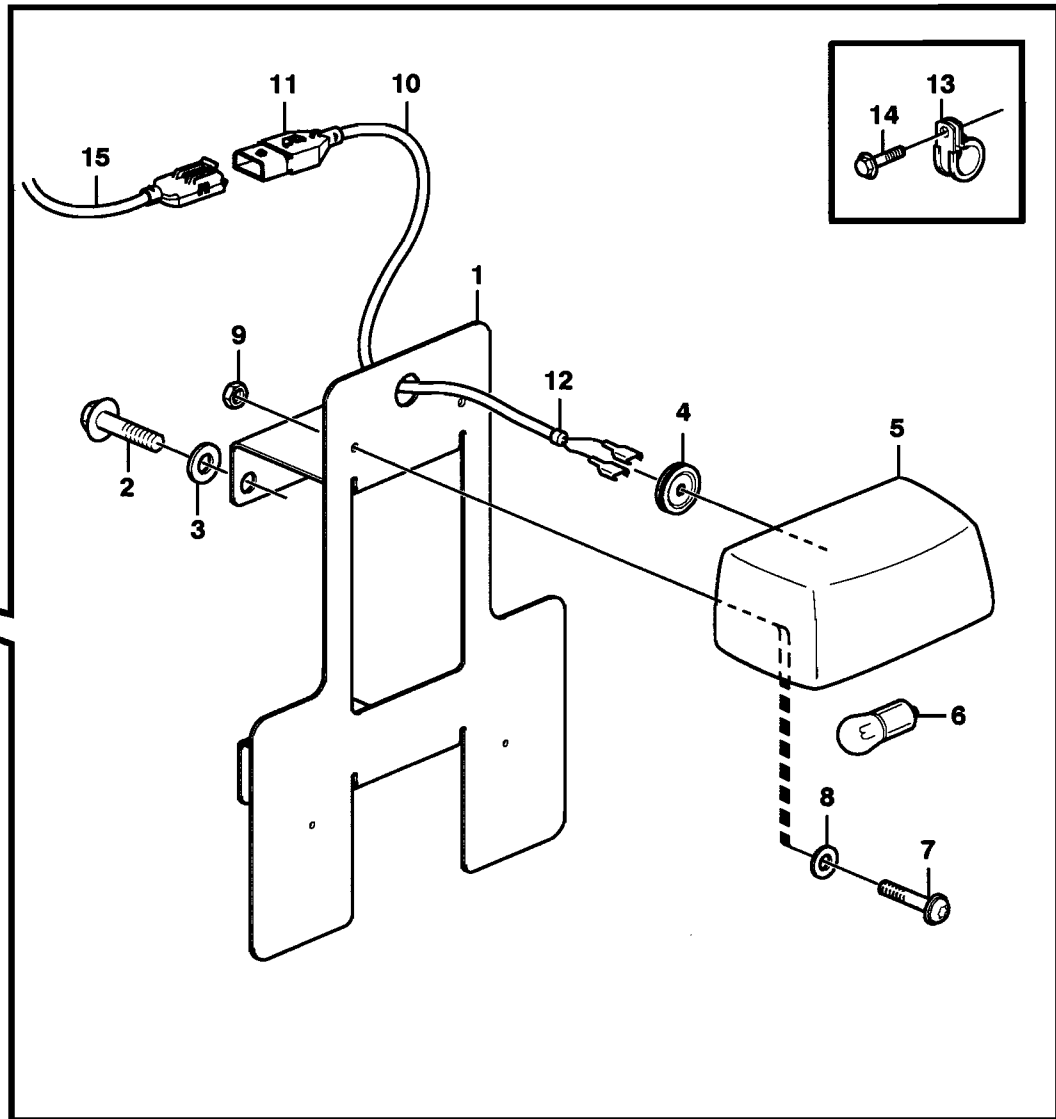
| | | | | |
|---|-----------|--|----------------|---------|
| 1 | STD | Arbetsbelysning, bak. Alumbrado de trabajo, trasero. Arbeitsscheinwerfer, hinter. Phare de travail, AR. Work lights, rear. | Catalogue id | Group |
| 2 | 80943 | | 20007 | 353 |
| 3 | OPEN ROPS | | Illustr. No | Section |
| 4 | | | 1002422 | 150 |
| 5 | | | Issue | Page |
| | | | VOE 63D9920007 | 181 |

VOLVO

L90E



Volvo Construction
Equipment
1002901

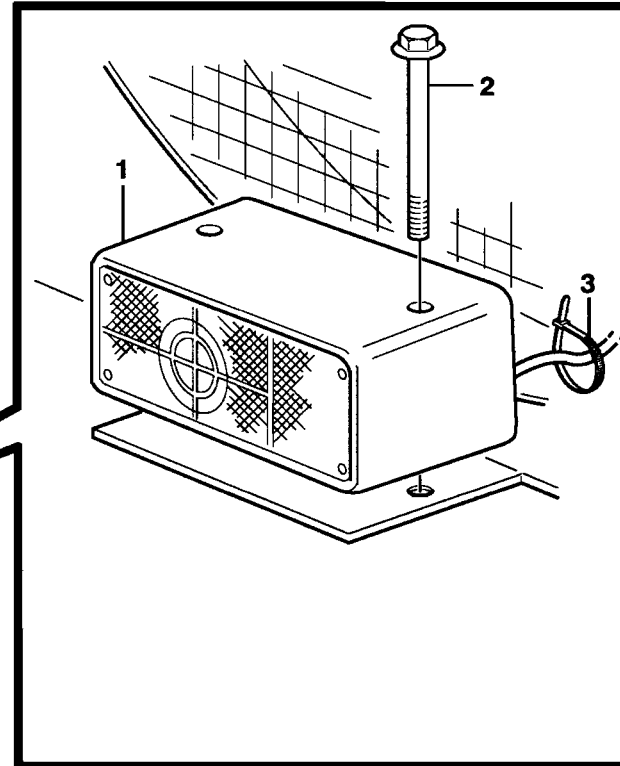
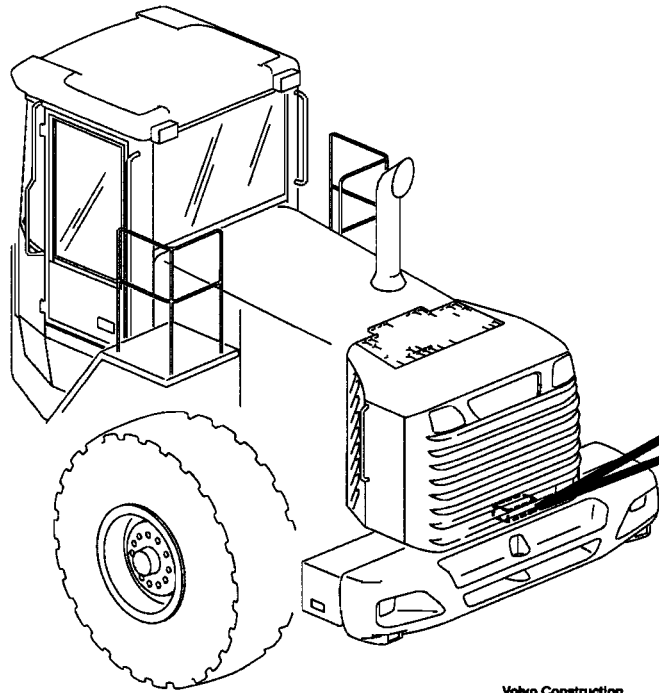


| Fig. | Part No. | Quantity | | | P S | K T | Description | Dénomination | Bezeichnung | Denominación | Benämning | Notes |
|------|--------------|----------|---|---|--------|--------|----------------------|-----------------------|-----------------------|-----------------------|---------------------|-------------------------|
| | | 1 | 2 | 3 | | | | | | | | |
| 1 | VOE 11400621 | 1 | | | | | Lic Plate Rtnr | Porte-plaque No | Kennzeichenhakt..... | Sop Matricula | Nummerplåthåll..... | |
| 2 | VOE 947107 | 3 | | | | | Flange screw..... | Vis à bride | Flanschschraube..... | Torn embridado..... | Flänsskruv..... | |
| 3 | VOE 13960141 | 2 | | | | | Washer..... | Rondelle..... | Scheibe | Arandela..... | Bricka..... | |
| 4 | VOE 941267 | 1 | | | | | Plug..... | Bouchon..... | Stopfen..... | Tapon | Plugg..... | |
| 5 | VOE 11147756 | 1 | | | | | Sign Lamp..... | Eclairag.plaque | Kennzeichenleuchte.. | Lampara Letrero..... | Skyltlykta..... | |
| 6 | VOE 967710 | 1 | | | | | •Bulb | •Ampoule..... | •Glühlampe..... | •Bombilla | •Glödlampa..... | |
| 7 | VOE 13969516 | 2 | | | | | Screw..... | Vis..... | Schraube | Tornillo | Skruv..... | |
| 8 | VOE 960137 | 2 | | | | | Washer..... | Rondelle..... | Scheibe | Arandela..... | Bricka..... | |
| 9 | VOE 13963103 | 2 | | | | | Lock nut | Contre-ecrou | Sicherungsmutter..... | Contratuerca | Låsmutter..... | |
| 10 | VOE 11170698 | 1 | | | | | Cable harness..... | Faisceau cables | Kabelbaum | Manojo cables | Ledningsmatta..... | |
| | | | | | | | •CONNECTED TO: | •CONNECTÉ A: | •ANGESCHLOSSEN: | •CONECTADO A: | •ANSLUTER TILL: | |
| | | | | | | | ••Cable harness | ••Faisceau cables | ••Kabelbaum | ••Manojo cables | ••Ledningsmatta | RE |
| | | | | | | | ••Sign Lamp | ••Eclairag.plaque | ••Kennzeichenleuchte | ••Lampara Letrero | ••Skyltlykta | LA307 |
| 11 | VOE 8143240 | 1 | | | | | •Insulator..... | •Isolateur..... | •Isolator..... | •Aislador..... | •Isolator..... | |
| 12 | VOE 11039397 | 1 | | | | | •End Sleeve | •Douille Extrem. | •Aderendhülse..... | •Manguito Final | •Ändhylsa..... | |
| 13 | VOE 980614 | 2 | | | | | Clamp..... | Pince Serrage | Klemme | Abrazadera..... | Klämma..... | |
| 14 | VOE 13946173 | 1 | | | | | Flange screw..... | Vis à bride | Flanschschraube..... | Torn embridado..... | Flänsskruv..... | |
| 15 | | 1 | | | | | Cable harness..... | Faisceau cables | Kabelbaum | Manojo cables | Ledningsmatta..... | See group 371, Page 249 |

| | | | | |
|---|--------------|---|-----------------------|------------|
| 1 | | Nummerskyltsbelysning Alumbrado de matrícula Nummernschildbeleuchtung Eclairage de plaque License plate lamp | Catalogue id | Group |
| 2 | | | 20007 | 353 |
| 3 | | | Illustr. No | Section |
| 4 | | | 1002901 | 200 |
| 5 | | | Issue | Page |
| | 80884 | | VOE 63D9920007 | 183 |

VOLVO

L90E



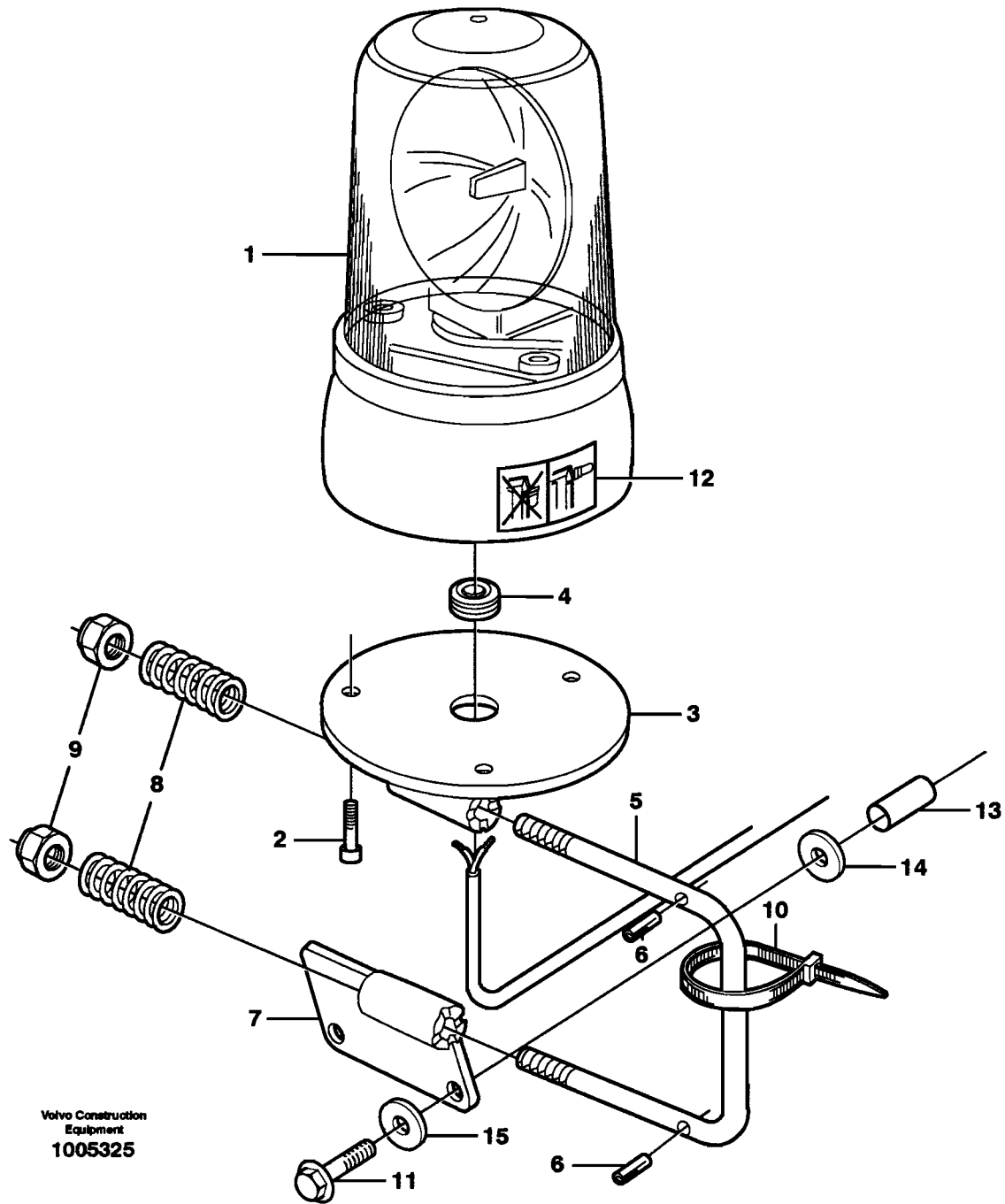
Volvo Construction
Equipment
1001128

| Fig. | Part No. | Quantity | | | P S | K T | Description | Dénomination | Bezeichnung | Denominación | Benämning | Notes |
|------|--------------|----------|---|---|--------|--------|---------------------|-----------------------|----------------------|----------------------|------------------|-------|
| | | 1 | 2 | 3 | | | | | | | | |
| 1 | VOE 11039728 | 1 | | | | | B-up Wrn Unit | Avertisse.recul | Rückfahrwarner | Avisador Retroc..... | Backvarnare..... | |
| 2 | VOE 13965183 | 2 | | | | | Flange screw..... | Vis à bride | Flanschschraube..... | Torn embridado..... | Flänsskruv..... | |
| 3 | VOE 4881438 | 1 | | | | | Strip Clamp | Ruban Serrage..... | Kabelbinder | Abraz Cinta | Bandklamma..... | |

| | | | | |
|---|--|--|----------------|------------|
| 1 | | Backvarnare Señal acústica de marcha atrás Rückfahrwarner Avertisseur sonore de marche arrière Back-up warning unit | Catalogue id | Group |
| 2 | | | 20007 | 362 |
| 3 | | | Illustr. No | Section |
| 4 | | | 1001128 | 100 |
| 5 | | | Issue | Page |
| | | 80883 | VOE 63D9920007 | 185 |

VOLVO

L90E



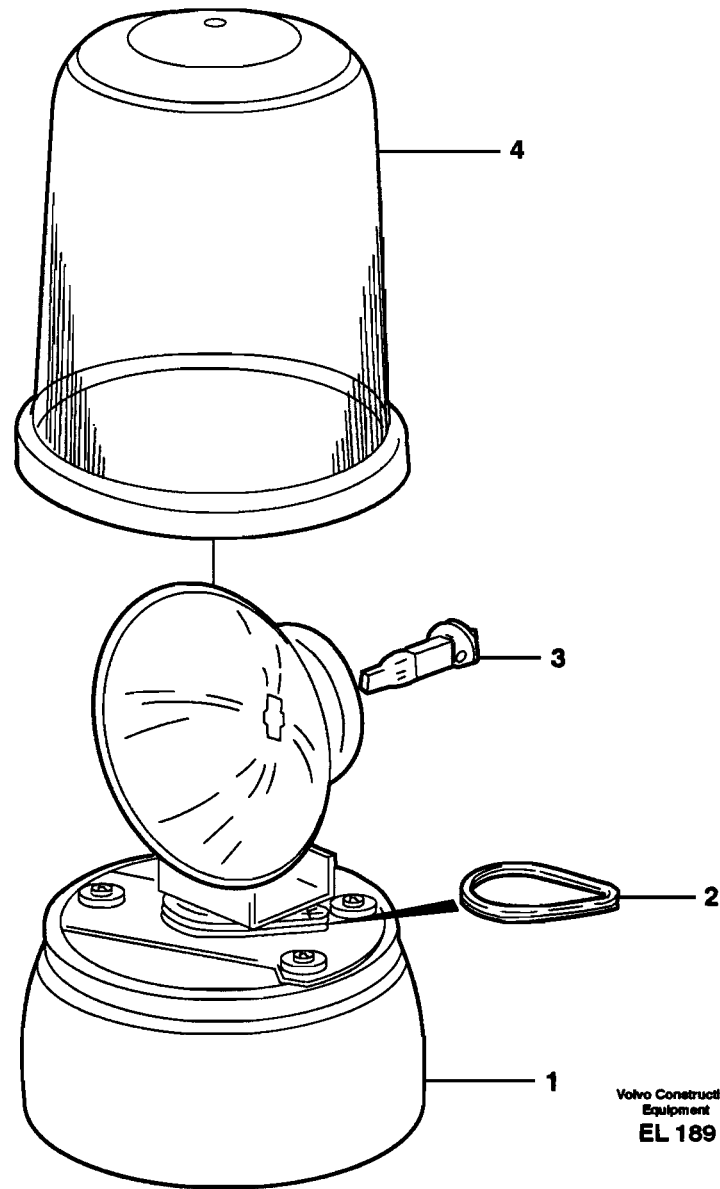
Volvo Construction
Equipment
1005325

| Fig. | Part No. | Quantity | | | P S | K I T | Description | Dénomination | Bezeichnung | Denominación | Benämning | Notes |
|------|--------------|----------|---|---|--------|---------------------|---------------------------|-------------------------|----------------------|-----------------------|-------------------------|-------|
| | | 1 | 2 | 3 | | | | | | | | |
| 1 | | 1 | | | | Lamp | Lampe | Leuchte | Lampara | Lykta | See group 362, Page 189 | |
| 2 | VOE 13976154 | 3 | | | | Screw | Vis | Schraube | Tornillo | Skruv | | |
| | VOE 11104607 | 1 | | | SS | Release Mech | Dis.rabattement | Klappvorrichtg | Mecanismo Lib | Fällningsanordn | SER NO - 1827 | |
| | VOE 11164585 | 1 | | | | Release Mech | Dis.rabattement | Klappvorrichtg | Mecanismo Lib | Fällningsanordn | SER NO 1828 - | |
| 3 | | 1 | | | NS | •Attachment | •Fixation | •Halterung | •Fijacion | •Fäste | SER NO - 1827 | |
| | | 1 | | | NS | •Attachment | •Fixation | •Halterung | •Fijacion | •Fäste | SER NO 1828 - | |
| 4 | VOE 941267 | 1 | | | | •Plug | •Bouchon | •Stopfen | •Tapon | •Plugg | | |
| 5 | | 1 | | | NS | •Stay | •Tirant | •Strebe | •Barra | •Stag | | |
| 6 | VOE 13961647 | 2 | | | | •Pin | •Goupille | •Stift | •Pasador | •Pinne | | |
| 7 | | 1 | | | NS | •Attachment | •Fixation | •Halterung | •Fijacion | •Fäste | | |
| 8 | VOE 4935756 | 2 | | | | •Spring | •Ressort | •Feder | •Muelle | •Fjäder | | |
| 9 | VOE 13963110 | 2 | | | | •Lock nut | •Contre-ecrou | •Sicherungsmutter | •Contratuerca | •Låsmutter | | |
| 10 | VOE 4881440 | 2 | | | | Strip Clamp | Ruban Serrage | Kabelbinder | Abraz Cinta | Bandklamma | | |
| 11 | VOE 946671 | 3 | | | | Flange screw | Vis à bride | Flanschschraube | Torn embridado | Flänsskruv | M8 x 30 MM | |
| 12 | VOE 11104111 | 1 | | | | Decal | Decalcomanie | Abziehbild | Decalcomania | Dekal | | |
| 13 | VOE 930428 | 2 | | | | Spacer Ring | Bagu.entretoise | Abstandring | Anillo Dist | Distansring | | |
| 14 | VOE 11104399 | 2 | | | | Rubber Washer | Rondelle Caoutchouc | Gummischeibe | Arandela Goma | Gummibricka | | |
| 15 | VOE 13960141 | 2 | | | | Washer | Rondelle | Scheibe | Arandela | Bricka | | |

| | | | | |
|---|--|--|-----------------------|------------|
| 1 | | Roterande varningsljus. Farol de señal con luz revolvedora. Drehfeuerleuchte. Avertisseur lumineux à feu tournant. Revolving warning light. | Catalogue id | Group |
| 2 | | | 20007 | 362 |
| 3 | | | Illustr. No | Section |
| 4 | | | 1005325 | 150 |
| 5 | | | Issue | Page |
| | | 93799 | VOE 63D9920007 | 187 |

VOLVO

L90E



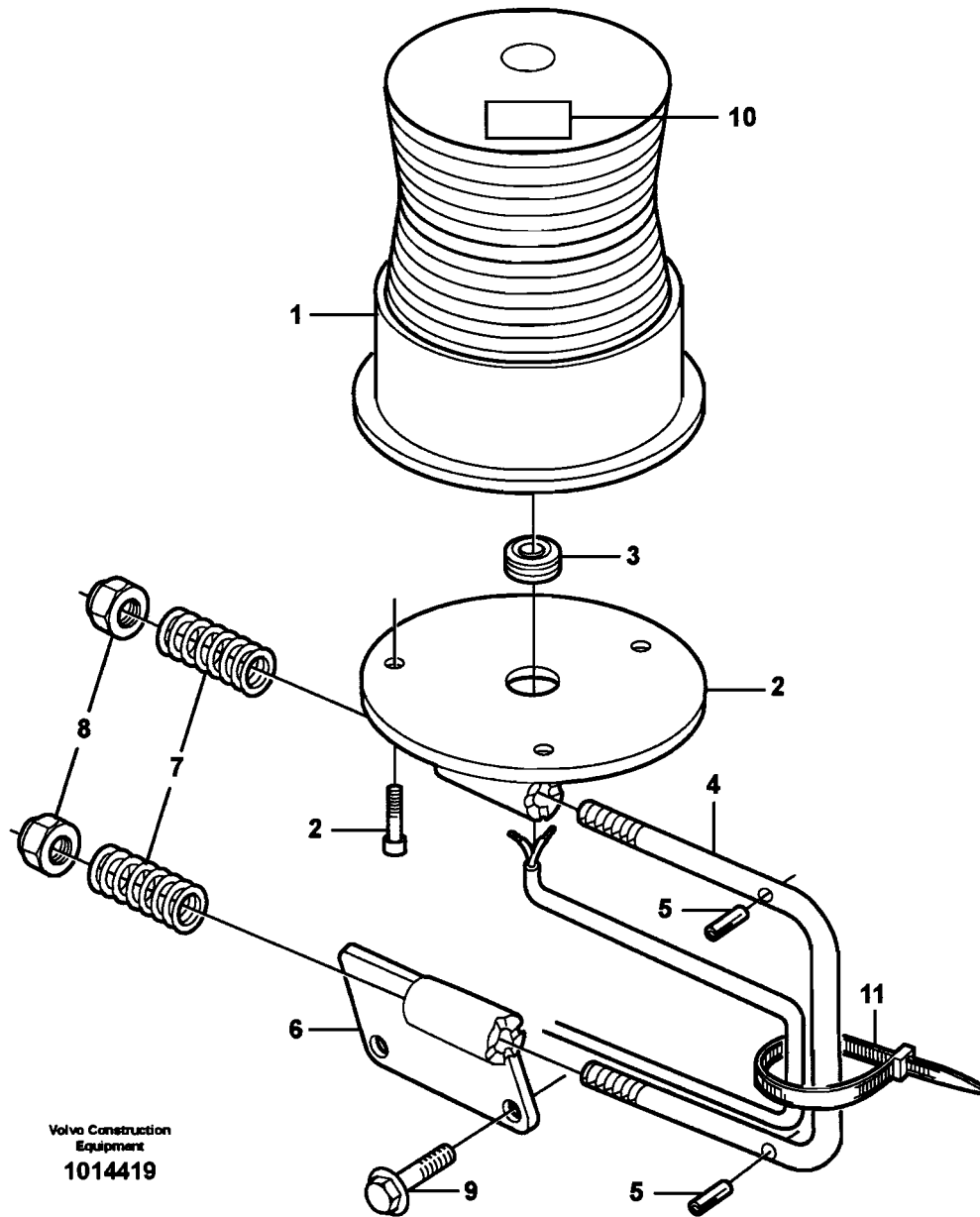
Volvo Construction
Equipment
EL 189

| Fig. | Part No. | Quantity | | | P S | K I T | Description | Dénomination | Bezeichnung | Denominación | Benämning | Notes |
|------|--------------|----------|---|---|--------|-----------------------|-----------------------|----------------------|-----------------------|-----------------------|---------------|-------|
| | | 1 | 2 | 3 | | | | | | | | |
| | VOE 11039291 | 1 | | | SS | Rotating Beacon | Gyrophare | Rundumkennleuchte .. | Luz Rotativa Emerge.. | Roterande Varningslj. | SER NO - 1827 | |
| | VOE 11170098 | | 1 | | | Rotating Beacon | Gyrophare | Rundumkennleuchte .. | Luz Rotativa Emerge.. | Roterande Varningslj. | SER NO 1828 - | |
| 1 | | 1 | 1 | | NS | •Housing | •Carter | •Gehäuse | •Carter | •Hus | | |
| 2 | VOE 11994484 | 1 | 1 | | | •Drive Belt | •Courroie Transm..... | •Treibriemen..... | •Correa Motriz | •Drivrem..... | 2 PCS | |
| 3 | VOE 943904 | 1 | 1 | | | •Bulb | •Ampoule..... | •Glühlampe..... | •Ampolla | •Glödlampa | 24V/70W | |
| 4 | VOE 11994483 | 1 | 1 | | | •Lens | •Verre | •Lichtscheibe | •Lente | •Glas | | |
| | VOE 11713095 | | 1 | | | •Lens | •Verre | •Lichtscheibe | •Lente | •Glas | | |

| | | | | |
|---|----------|--|--------------|------------|
| 1 | 11039291 | Roterande varningslykta. Faro de advertencia giratorio. Drehfeuerleuchte. Avertisseur lumineux à feu tournant. Rotating beacon. | Catalogue id | Group |
| 2 | 11170098 | | 20007 | 362 |
| 3 | | | Illustr. No | Section |
| 4 | | | EL189 | 200 |
| 5 | | | Issue | Page |
| | 93799 | VOE 63D9920007 | 189 | |

VOLVO

L90E



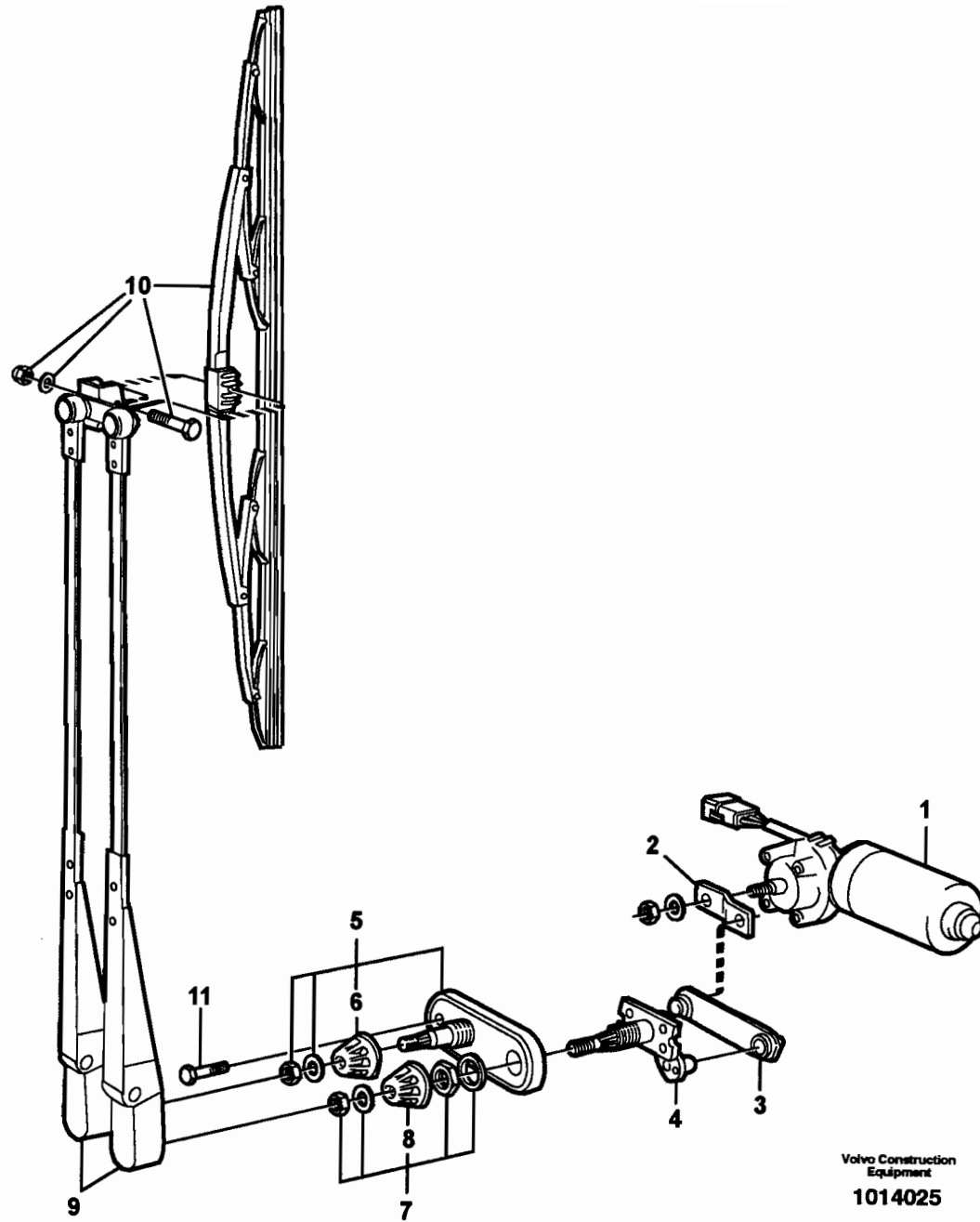
Volvo Construction
Equipment
1014419

| Fig. | Part No. | Quantity | | | P S | K I T | Description | Dénomination | Bezeichnung | Denominación | Benämning | Notes |
|------|--------------|----------|---|---|--------|-------------|-----------------------|----------------------|------------------------|-----------------------|-----------------------|-------|
| | | 1 | 2 | 3 | | | | | | | | |
| 1 | VOE 11170087 | 1 | | | | | Rotating Beacon | Gyrophare | Rundumkennleuchte .. | Luz Rotativa Emerge.. | Roterande Varningslj. | |
| | VOE 11164585 | 1 | | | | | Release Mech | Dis.rabattement..... | Klappvorrichtg | Mecanismo Lib | Fällningsanordn..... | |
| 2 | | 1 | | | NS | | •Attachment | •Fixation | •Halterung | •Fijacion..... | •Fäste..... | |
| 3 | VOE 941267 | 1 | | | | | •Plug | •Bouchon..... | •Stopfen | •Tapon..... | •Plugg..... | |
| 4 | | 1 | | | NS | | •Stay | •Tirant..... | •Strebe | •Barra | •Stag..... | |
| 5 | VOE 13961647 | 2 | | | | | •Pin | •Goupille..... | •Stift..... | •Pasador..... | •Pinne..... | |
| 6 | | 1 | | | NS | | •Attachment | •Fixation | •Halterung | •Fijacion..... | •Fäste..... | |
| 7 | VOE 4935756 | 2 | | | | | •Spring | •Ressort | •Feder..... | •Muelle | •Fjäder..... | |
| 8 | VOE 13963110 | 2 | | | | | •Lock nut | •Contre-ecrou..... | •Sicherungsmutter..... | •Contratuerca | •Låsmutter..... | |
| 9 | VOE 946671 | 3 | | | | | Flange screw..... | Vis à bride..... | Flanschschraube..... | Torn embridado..... | Flänsskruv..... | |
| 10 | VOE 11104111 | 1 | | | | | Decal..... | Decalcomanie | Abziehbild..... | Decalcomania | Dekal..... | |
| 11 | VOE 4881440 | 3 | | | | | Strip Clamp | Ruban Serrage..... | Kabelbinder..... | Abraz Cinta | Bandklamma..... | |

| | | | | |
|---|--|--|-----------------------|------------|
| 1 | | Roterande varningsljus. Farol de señal con luz revolvedora. Drehfeuerleuchte. Avertisseur lumineux à feu tournant. Revolving warning light. | Catalogue id | Group |
| 2 | | | 20007 | 362 |
| 3 | | | Illustr. No | Section |
| 4 | | | 1014419 | 225 |
| 5 | | | Issue | Page |
| | | 82199 | VOE 63D9920007 | 191 |

VOLVO

L90E



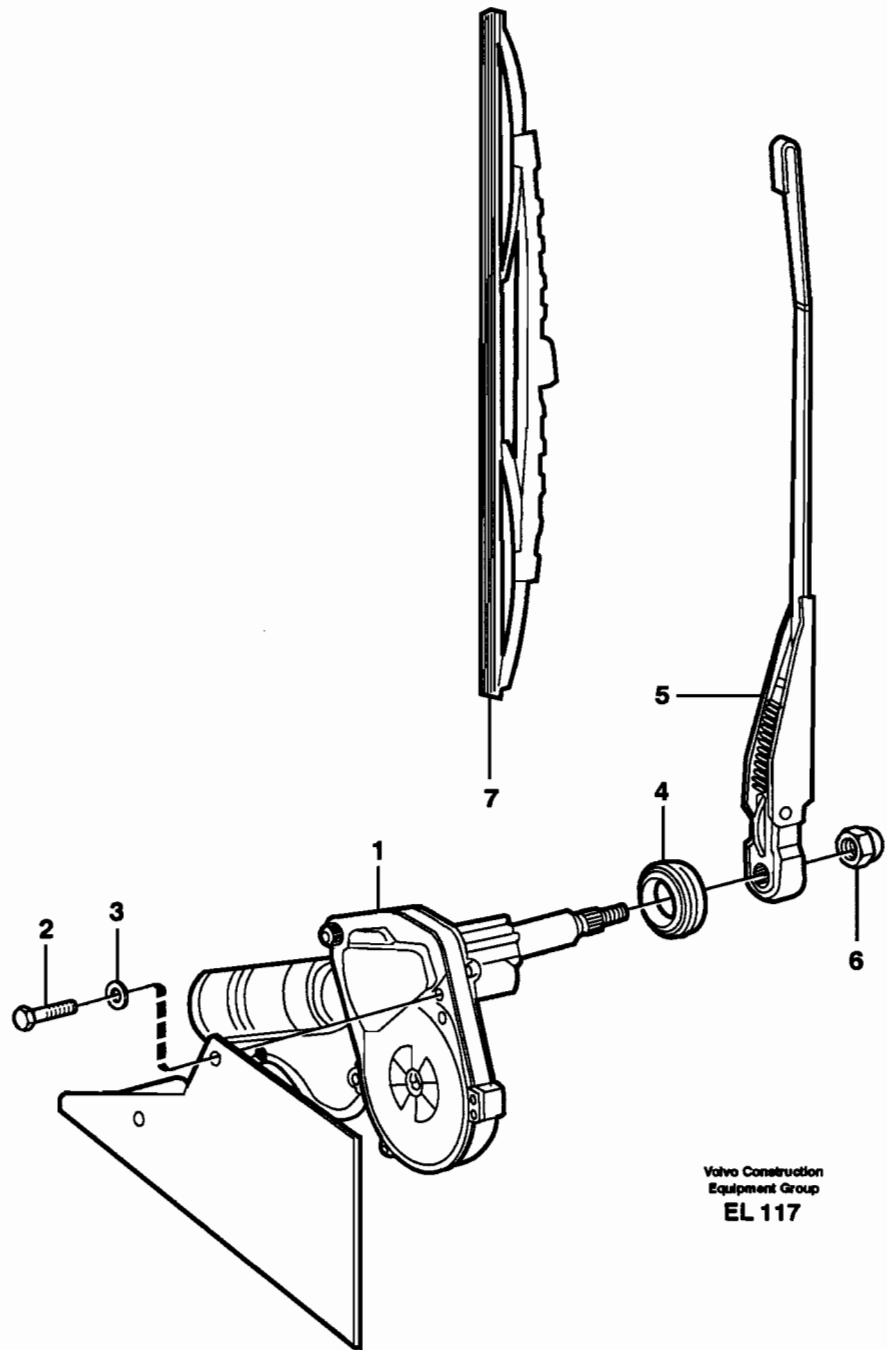
Volvo Construction
Equipment
1014025

| Fig. | Part No. | Quantity | | | P S | K I T | Description | Dénomination | Bezeichnung | Denominación | Benämning | Notes |
|------|--------------|----------|---|---|--------|-------------|---------------------|--------------------------|-----------------------|------------------------|----------------------|-------|
| | | 1 | 2 | 3 | | | | | | | | |
| | VOE 11039527 | 1 | | | | | Wiper Motor | Moteur essuie glace... | Wischermotor | Motor l.p. | Torkarmotor..... | |
| 1 | VOE 11039529 | 1 | | | | | •Wiper Motor | •Moteur essuie glace.. | •Wischermotor..... | •Motor l.p. | •Torkarmotor..... | |
| 2 | VOE 14341053 | 1 | | | | | •Arm | •Bras | •Arm | •Brazo..... | •Arm..... | |
| 3 | VOE 11998208 | 1 | | | | | •Link Rod | •Tige Articulee | •Gelenkstange..... | •Varilla Articul | •Länkstång..... | |
| 4 | VOE 11701903 | 1 | | | | | •Wiper Shaft..... | •Axe Essui.glace | •Wischerarmwelle..... | •Eje Limpiaparab | •Torkaraxel..... | |
| 5 | VOE 6213452 | 1 | | | | | •Wiper Shaft..... | •Axe Essui.glace | •Wischerarmwelle..... | •Eje Limpiaparab | •Torkaraxel..... | |
| 6 | VOE 12003786 | 1 | | | | | ••Cover..... | ••Capot..... | ••Haube | ••Cubierta | ••Kåpa..... | |
| 7 | VOE 2554250 | 1 | | | | | •Mounting Kit..... | •Kit Montage..... | •Einbausatz | •Juego Montaje | •Monteringssats..... | |
| 8 | VOE 12003786 | 1 | | | | | ••Cover..... | ••Capot..... | ••Haube | ••Cubierta | ••Kåpa..... | |
| 9 | VOE 11039233 | 1 | | | | | Wiper Arm | Bras Essu.glac. | Wischerarm | Brazo Limpiapar | Torkararm..... | |
| 10 | VOE 11039234 | 1 | | | | | Wiper blade..... | Balai essuie glace | Wischerblatt | Escobilla l.p. | Torkarblad..... | |
| 11 | VOE 955640 | 1 | | | | | Hexagon screw | Vis tête hexagonale ... | Sechskantschraube... | Tornillo hexago..... | Sexkantsskruv..... | |

| | | | | |
|---|--|---|-----------------------|------------|
| 1 | | Vindrutetorkare, fram Limpiaparabrisas, delantero Scheibenwischer, vorne Essuie-vitre, avant Windshield wiper, front | Catalogue id | Group |
| 2 | | | 20007 | 363 |
| 3 | | | Illustr. No | Section |
| 4 | | | 1014025 | 100 |
| 5 | | | Issue | Page |
| | | STD, 82790 | VOE 63D9920007 | 193 |

VOLVO

L90E



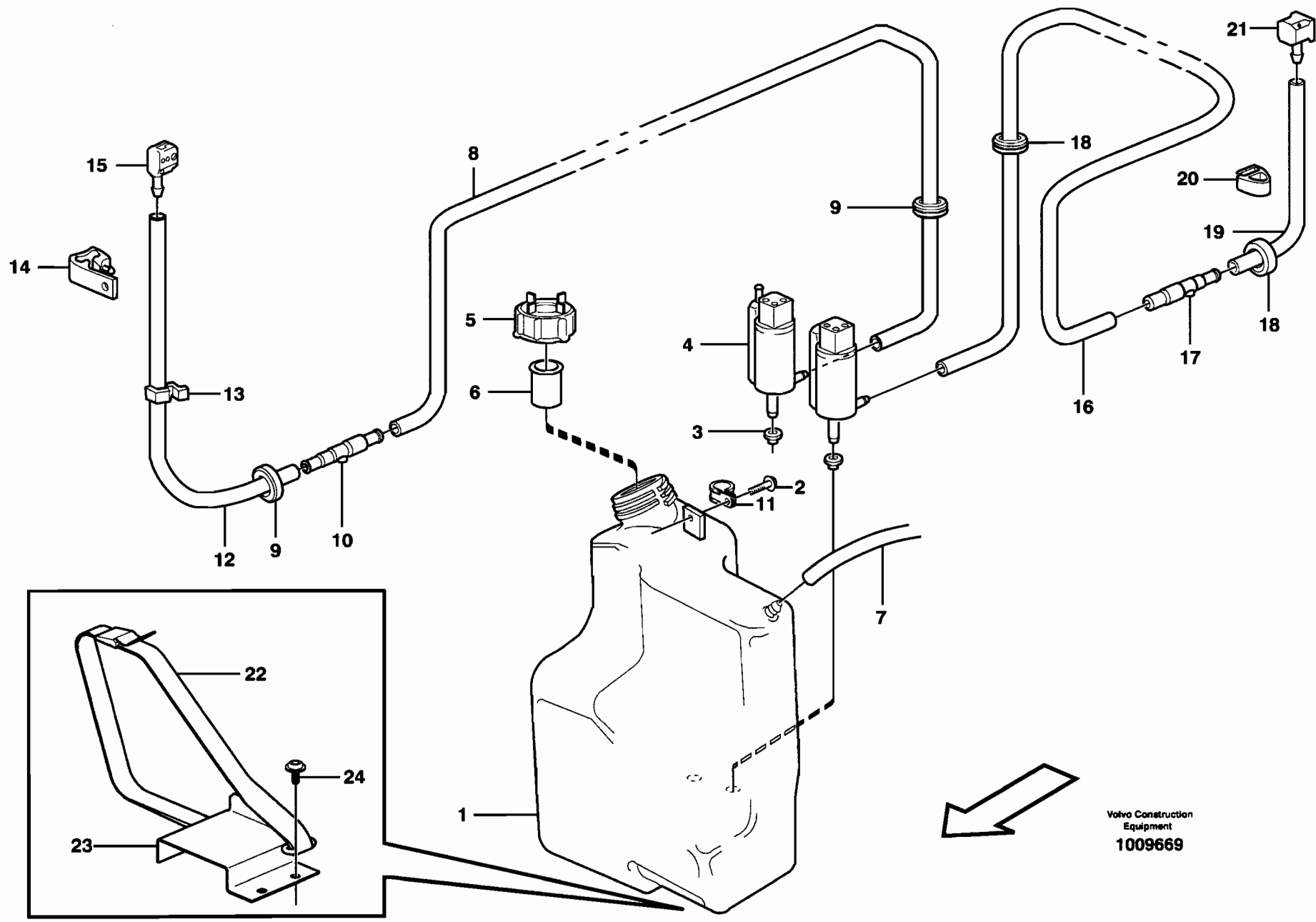
Volvo Construction
Equipment Group
EL 117

| Fig. | Part No. | Quantity | | | P S | K I T | Description | Dénomination | Bezeichnung | Denominación | Benämning | Notes |
|------|--------------|----------|---|---|--------|-------------|----------------------|--------------------------|---------------------|-------------------------|---------------------|-------|
| | | 1 | 2 | 3 | | | | | | | | |
| 1 | VOE 11039288 | 1 | | | | | Wiper Motor | Moteur essuie glace... | Wischermotor | Motor l.p. | Torkarmotor..... | |
| 2 | VOE 13969738 | 2 | | | | | Screw | Vis | Schraube..... | Tornillo | Skruv..... | |
| 3 | VOE 960139 | 4 | | | | | Washer..... | Rondelle | Scheibe | Arandela..... | Bricka..... | |
| 4 | VOE 11006074 | 1 | | | | | Grommet..... | Passe fil | Durchführung | Aislador pasapanel..... | Genomföring..... | |
| 5 | VOE 11039289 | 1 | | | | | Wiper Arm | Bras Essu.glac. | Wischerarm | Brazo Limpiapar | Torkararm..... | |
| 6 | VOE 948645 | 1 | | | | | Flange Lock Nut..... | Contre écrou bride | Flanschmutter | Contratuer Embr..... | Flänslåsmutter..... | |
| 7 | VOE 11039290 | 1 | | | | | Wiper blade..... | Balai essuie glace | Wischerblatt | Escobilla l.p. | Torkarblad..... | |

| | | | | |
|---|--|---|-----------------------|------------|
| 1 | | Vindrutetorkare, bak Limpiaparabrisas, trasero Scheibenwischer, hinten Essuie-vitre, arrière Windshield wiper, rear STD, 82790 | Catalogue id | Group |
| 2 | | | 20007 | 363 |
| 3 | | | Illustr. No | Section |
| 4 | | | EL117 | 150 |
| 5 | | | Issue | Page |
| | | | VOE 63D9920007 | 195 |

VOLVO

L90E



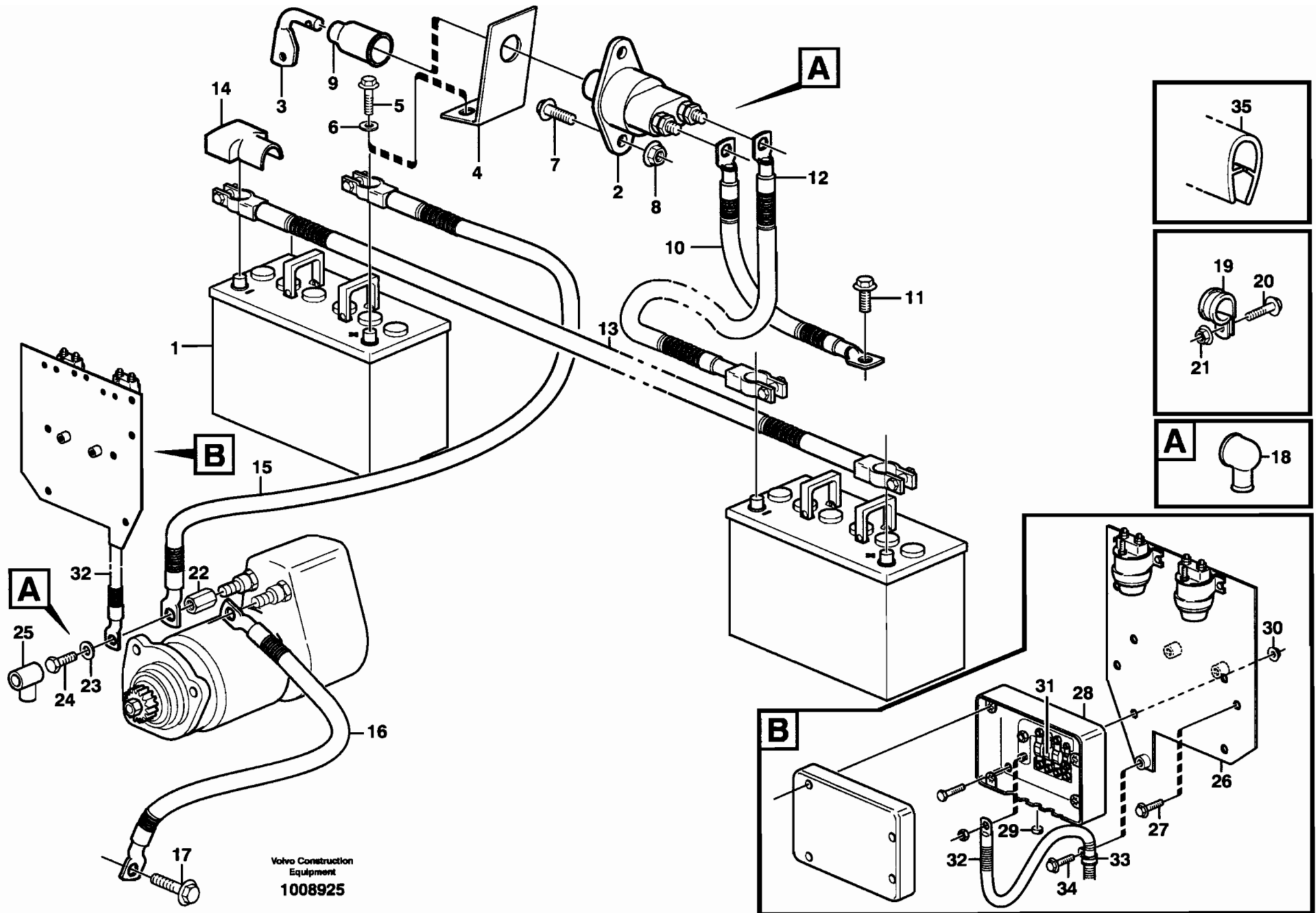
Volvo Construction
 Equipment
 1009669

| Fig. | Part No. | Quantity | | | P S | K I T | Description | Dénomination | Bezeichnung | Denominación | Benämning | Notes |
|------|--------------|----------|-----|----|--------|-----------------------|----------------------------|-----------------------|---------------------------|----------------------|-------------|-------|
| | | 1 | 2 | 3 | | | | | | | | |
| 1 | VOE 11104443 | 1 | 1 | | | Reservoir..... | Reservoir..... | Behälter..... | Deposito..... | Behållare..... | | |
| 2 | VOE 13965354 | 1 | 1 | | | Screw..... | Vis..... | Schraube..... | Tornillo..... | Skruv..... | | |
| 3 | VOE 1258140 | 2 | 2 | | | Sealing Sleeve..... | Douille Etanche..... | Dichthulse..... | Manguito Reten..... | Tätningshylsa..... | | |
| 4 | VOE 11707609 | 1 | 1 | | | Washer Pump..... | Pomp.lave-glace..... | Spulpumpe..... | Bomba Rociador..... | Spolarpump..... | | |
| | | 1 | 1 | NS | | •Level Indicator..... | •Indicateur de niveau..... | •Niveauanzeige..... | •Indicador Nivel..... | •Nivåindikator..... | | |
| | VOE 8189171 | 1 | 1 | | | Washer Pump..... | Pomp.lave-glace..... | Spulpumpe..... | Bomba Rociador..... | Spolarpump..... | | |
| 5 | VOE 4965040 | 1 | 1 | | | Cover..... | Couvercle..... | Deckel..... | Tapa..... | Lock..... | | |
| 6 | VOE 1577712 | 1 | 1 | | | Strainer..... | Crépine..... | Seiher..... | Colador..... | Sil..... | | |
| 7 | VOE 1304841 | REQ | REQ | | | Hose..... | Durit..... | Schlauch..... | Tubo flexible..... | Slang..... | L = 500 MM | |
| 8 | VOE 1304841 | REQ | REQ | | | Hose..... | Durit..... | Schlauch..... | Tubo flexible..... | Slang..... | L = 2600 MM | |
| 9 | VOE 941262 | 2 | 2 | | | Grommet..... | Passe fil..... | Durchführung..... | Aislador pasapanel..... | Genomföring..... | | |
| 10 | VOE 667352 | 1 | 1 | | | Check valve..... | Valve antiretour..... | Rückschlagventil..... | Válvula de retención..... | Backventil..... | | |
| 11 | VOE 952627 | 1 | 1 | | | Clamp..... | Pince Serrage..... | Klemme..... | Abrazadera..... | Klämma..... | | |
| 12 | VOE 192618 | REQ | REQ | | | Hose..... | Durit..... | Schlauch..... | Tubo flexible..... | Slang..... | L = 500 MM | |
| 13 | VOE 192248 | 2 | 2 | | | Retainer..... | Retenue..... | Halter..... | Soporte..... | Hållare..... | | |
| 14 | VOE 4803208 | 1 | 1 | | | Clamp..... | Pince Serrage..... | Klemme..... | Abrazadera..... | Klämma..... | | |
| 15 | VOE 4803206 | 1 | 1 | | | Nozzle..... | Gicleur..... | Düse..... | Difusor..... | Munstycke..... | | |
| 16 | VOE 1304841 | REQ | REQ | | | Hose..... | Durit..... | Schlauch..... | Tubo flexible..... | Slang..... | L = 3400 MM | |
| 17 | VOE 667352 | 1 | 1 | | | Check valve..... | Valve antiretour..... | Rückschlagventil..... | Válvula de retención..... | Backventil..... | | |
| 18 | VOE 941262 | 2 | 2 | | | Grommet..... | Passe fil..... | Durchführung..... | Aislador pasapanel..... | Genomföring..... | | |
| 19 | VOE 943727 | REQ | REQ | | | Hose..... | Durit..... | Schlauch..... | Tubo flexible..... | Slang..... | L = 450 MM | |
| 20 | VOE 1580822 | 1 | 1 | | | Clamp..... | Pince Serrage..... | Klemme..... | Abrazadera..... | Klämma..... | | |
| 21 | VOE 1580247 | 1 | 1 | | | Washer Jet..... | Gicl.lave-glace..... | Sprühdüse..... | Boquill Rociad..... | Spolarmunstycke..... | | |
| 22 | VOE 11104606 | 1 | 1 | | | Retaining Strap..... | Courroi.serrage..... | Halteriemmen..... | Correa Tensora..... | Spännrem..... | | |
| 23 | | | 1 | NS | | Bracket..... | Console..... | Konsole..... | Ménsula..... | Konsol..... | | |
| 24 | VOE 981208 | | 3 | | | Screw..... | Vis..... | Schraube..... | Tornillo..... | Skruv..... | | |

| | | | | |
|---|-------|---|----------------|---------|
| 1 | STD | Vindrutespolare Lavaparabrisas Scheibenwaschanlage Lave - glace Windshield washer | Catalogue id | Group |
| 2 | 82790 | | 20007 | 363 |
| 3 | | | Illustr. No | Section |
| 4 | | | 1009669 | 200 |
| 5 | | | Issue | Page |
| | | | VOE 63D9920007 | 197 |

VOLVO

L90E

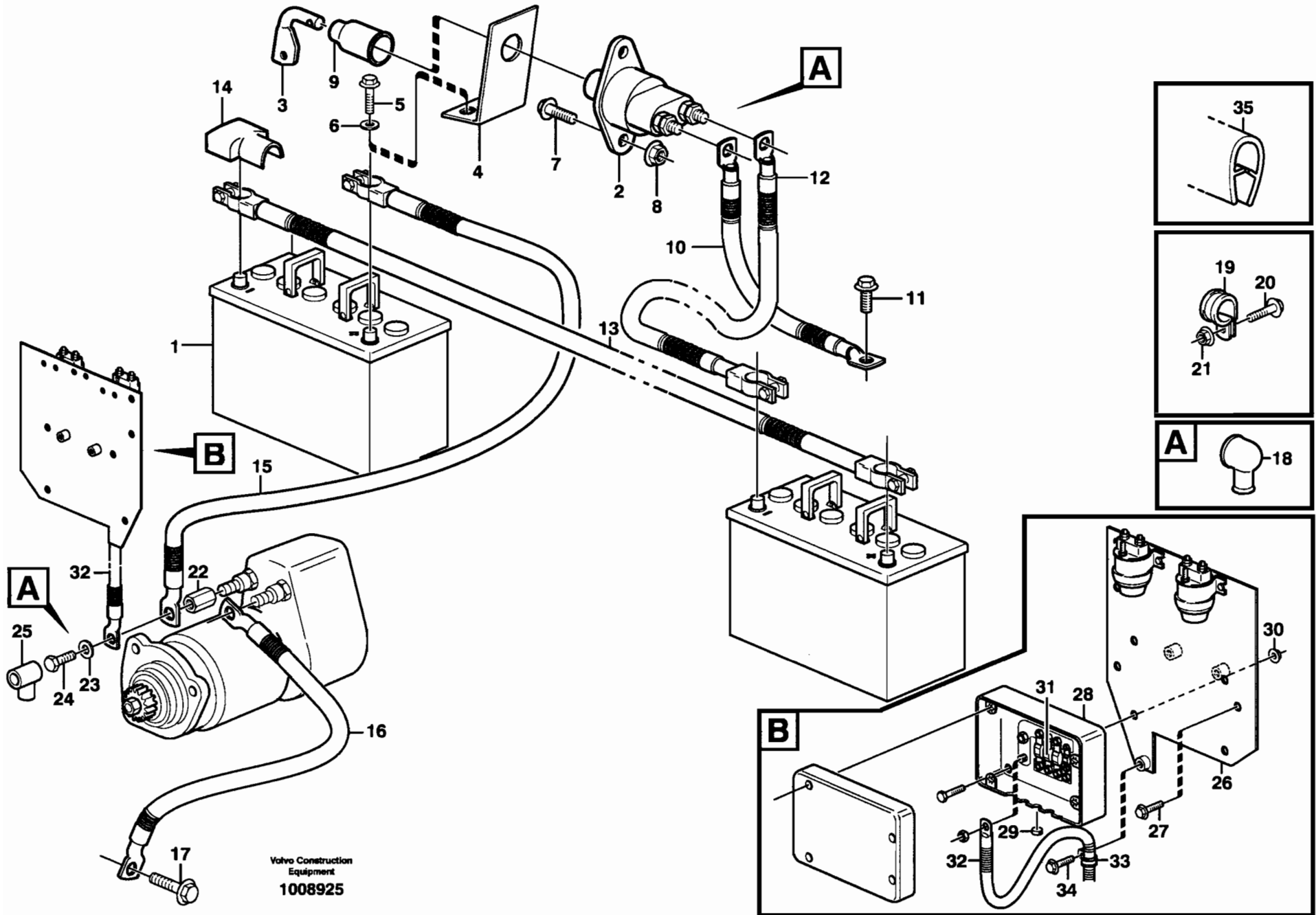


Volvo Construction
 Equipment
 1008925

| Fig. | Part No. | Quantity | | | P S | K I T | Description | Dénomination | Bezeichnung | Denominación | Benämning | Notes |
|------|--------------|----------|---|---|--------|--------------------------|-------------------------|----------------------------|---------------------------|--------------------------|-------------------------|-------|
| | | 1 | 2 | 3 | | | | | | | | |
| 1 | | 2 | 2 | | | Battery..... | Batterie..... | Batterie..... | Bateria..... | Batteri..... | See group 313, Page 157 | |
| 2 | VOE 3987034 | 1 | 1 | | | Battery main switch..... | Robinet batterie..... | Batterietrennschalter..... | Desconectador bateri..... | Batterifrånskiljare..... | | |
| 3 | VOE 8157766 | 1 | 1 | | | •Handle..... | •Poignee..... | •Drehgriff..... | •Mango..... | •Vred..... | | |
| 4 | VOE 11174879 | 1 | 1 | | | Attachment..... | Fixation..... | Halterung..... | Fijacion..... | Fäste..... | | |
| 5 | VOE 13945444 | 2 | 2 | | | Flange screw..... | Vis à bride..... | Flanschschaube..... | Torn embridado..... | Flänsskruv..... | | |
| 6 | VOE 13960141 | 2 | 2 | | | Washer..... | Rondelle..... | Scheibe..... | Arandela..... | Bricka..... | | |
| 7 | VOE 13946934 | 2 | 2 | | | Screw..... | Vis..... | Schraube..... | Tornillo..... | Skruv..... | | |
| 8 | VOE 13949278 | 2 | 2 | | | Flange Lock Nut..... | Contre écrou bride..... | Flanschmutter..... | Contratuer Embr..... | Flänslåsmutter..... | | |
| 9 | VOE 1582293 | 1 | 1 | | | Bellows..... | Capot Caoutcho..... | Gummimantel..... | Cubierta Goma..... | Gummikåpa..... | | |
| 10 | VOE 11100715 | 1 | 1 | | | Battery Cable..... | Cable Batterie..... | Batterieleitung..... | Cable Bateria..... | Batteriledning..... | 1245) | |
| 11 | VOE 13949888 | 1 | 1 | | | Screw..... | Vis..... | Schraube..... | Tornillo..... | Skruv..... | | |
| 12 | VOE 11170713 | 1 | 1 | | | Battery Cable..... | Cable Batterie..... | Batterieleitung..... | Cable Bateria..... | Batteriledning..... | | |
| 13 | VOE 11170710 | 1 | 1 | | | Battery Cable..... | Cable Batterie..... | Batterieleitung..... | Cable Bateria..... | Batteriledning..... | | |
| 14 | VOE 1259727 | 3 | 3 | | | Cover..... | Capot..... | Haube..... | Cubierta..... | Kåpa..... | | |
| 15 | VOE 11170714 | 1 | 1 | | | Battery Cable..... | Cable Batterie..... | Batterieleitung..... | Cable Bateria..... | Batteriledning..... | | |
| 16 | VOE 11040804 | 1 | 1 | | | Wire Assembly..... | Cable..... | Leitung..... | Cable..... | Ledning..... | 1245) | |
| 17 | VOE 13949888 | 1 | 1 | | | Screw..... | Vis..... | Schraube..... | Tornillo..... | Skruv..... | | |
| 18 | VOE 7025971 | 2 | 2 | | | Guard..... | Protection..... | Schutz..... | Protección..... | Skydd..... | | |
| 19 | VOE 13977599 | 1 | 1 | | | Clamp..... | Pince Serrage..... | Klemme..... | Abrazadera..... | Klämma..... | | |
| 20 | VOE 13945444 | 1 | 1 | | | Flange screw..... | Vis à bride..... | Flanschschaube..... | Torn embridado..... | Flänsskruv..... | | |
| 21 | VOE 948645 | 1 | 1 | | | Flange Lock Nut..... | Contre écrou bride..... | Flanschmutter..... | Contratuer Embr..... | Flänslåsmutter..... | | |
| 22 | VOE 855330 | 1 | 1 | | | Nut..... | Ecrou..... | Mutter..... | Tuerca..... | Mutter..... | | |
| 23 | VOE 13960143 | 1 | 1 | | | Washer..... | Rondelle..... | Scheibe..... | Arandela..... | Bricka..... | | |
| 24 | VOE 946471 | 1 | 1 | | | Flange screw..... | Vis à bride..... | Flanschschaube..... | Torn embridado..... | Flänsskruv..... | | |
| 25 | VOE 855798 | 1 | 1 | | | Protecting Sleeve..... | Manchon Protection..... | Schutzhülle..... | Manguito Protec..... | Skyddshylsa..... | | |
| 26 | | 1 | 1 | | NS | Plate..... | Plaque..... | Platte..... | Placa..... | Platta..... | | |
| 27 | VOE 946671 | 2 | 2 | | | Flange screw..... | Vis à bride..... | Flanschschaube..... | Torn embridado..... | Flänsskruv..... | | |

1245) GB: Including parts: Wire assembly, hose, manifold, cable terminal and isolator See Group 379. FR: Article: cable, flexible, tubulure, cosse cable y isolant. See Group 379 DE: Artikeln: El leitung, Schlauch, Verzweigung, Kabelschuh und Isolator. See Group 379. ES: Artículo: cable, manguera, bifurcacion, terminal cable et aislador. See Group 379. SE: Artiklar: ledning, slang, förgrening, ledningssko och isolator. See Group 379

| | | | | |
|---|-----------|---|-----------------------|------------|
| 1 | STD | Batteriledning och batterifrånskiljare Cable de bateria y desconectador bateria Batterieleitung und Batterietrennschalter Cable batterie et robinet batterie Battery cable and main switch | Catalogue id | Group |
| 2 | OPEN ROPS | | 20007 | 371 |
| 3 | | | Illustr. No | Section |
| 4 | | | 1008925 | 100 |
| 5 | | | Issue | Page |
| | | | VOE 63D9920007 | 199 |



Volvo Construction
 Equipment
 1008925

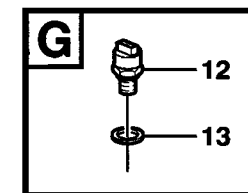
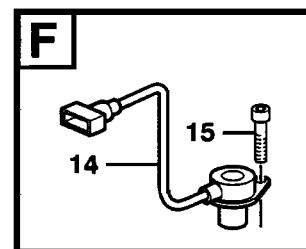
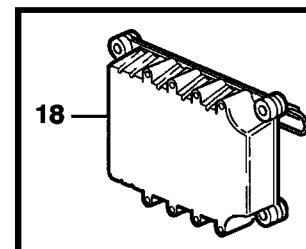
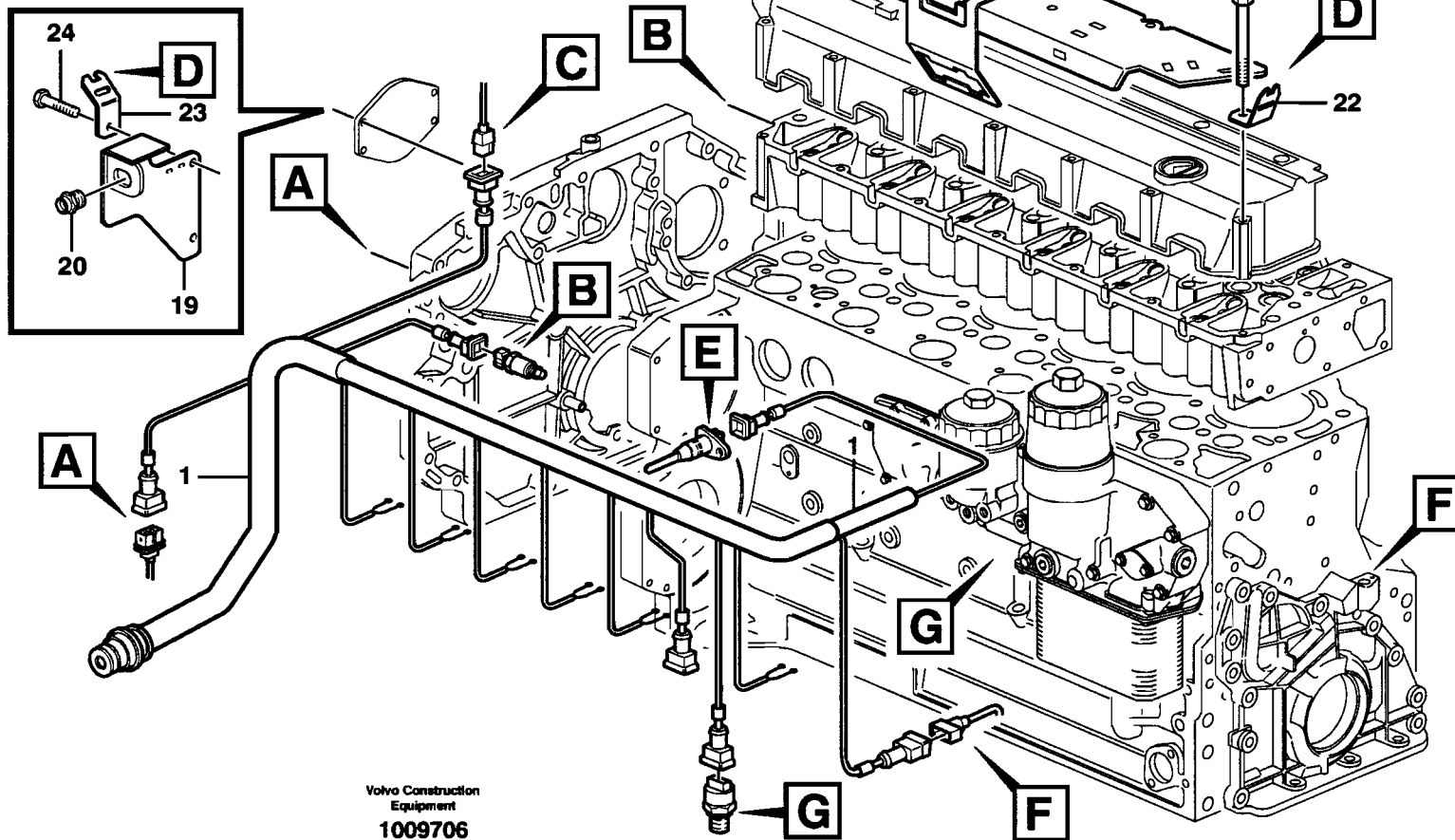
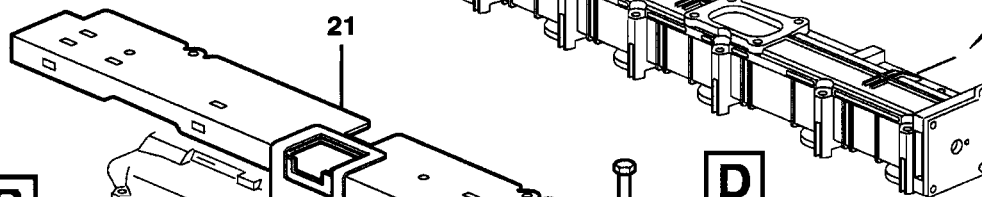
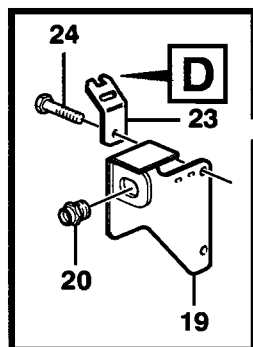
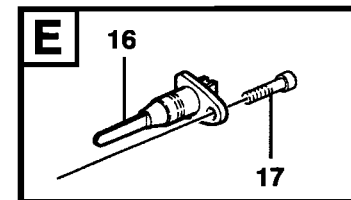
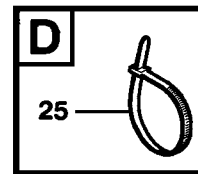
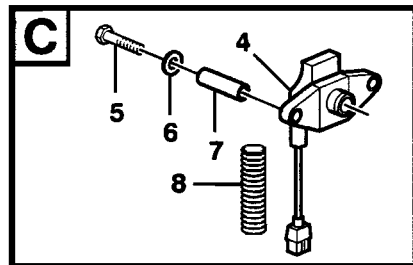
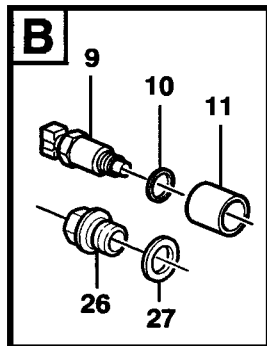
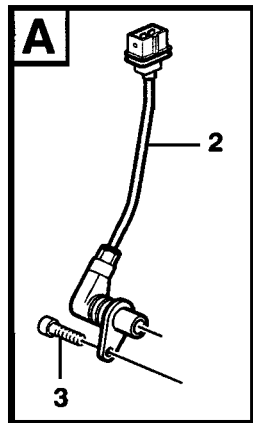
| Fig. | Part No. | Quantity | | | P S | K I T | Description | Dénomination | Bezeichnung | Denominación | Benämning | Notes |
|------|--------------|----------|---|---|--------|-----------------------|--------------------------|------------------------|------------------------|----------------------|------------|-------|
| | | 1 | 2 | 3 | | | | | | | | |
| 28 | VOE 11170016 | 1 | 1 | | | Fuse box | Boite a fusibles | Sicherungsdose | Caja de fusibles | Säkringsdosa | | |
| 29 | VOE 11170020 | 1 | 1 | | | Plug | Bouchon | Stopfen | Tapon | Plugg | | |
| 30 | VOE 948645 | 4 | 4 | | | Flange Lock Nut | Contre écrou bride | Flanschmutter | Contratuer Embr | Flänslåsmutter | | |
| 31 | VOE 982617 | 3 | 3 | | | Fuse | Fusible | Schmelzsicherung | Fusible | Smältsäkring | 125A | |
| 32 | VOE 11170688 | 1 | 1 | | | Wire Assembly | Cable | Leitung | Cable | Ledning | 1245) | |
| 33 | VOE 13977599 | 1 | 1 | | | Clamp | Pince Serrage | Klemme | Abrazadera | Klämma | | |
| 34 | VOE 946440 | 1 | 1 | | | Flange screw | Vis à bride | Flanschschraube | Torn embridado | Flänsskruv | | |
| 35 | VOE 4786031 | 1 | | | | Framework moulding . | Baguette claire-voie ... | Kubelstange | Moldura amadura | Skelettlis | L = 100 MM | |

1245) **GB:** Including parts: Wire assembly, hose, manifold, cable terminal and isolator See Group 379. **FR:** Article: cable, flexible, tubulure, cosse cable y isolant. See Group 379 **DE:** Artikeln: El leitung, Schlauch, Verzweigung, Kabelschuh und Isolator. See Group 379. **ES:** Articulo: cable, manguera, bifurcacion, terminal cable et aislador. See Group 379. **SE:** Artiklar: ledning, slang, förgrening, ledningssko och isolator. See Group 379

| | | | | |
|---|------------------|---|----------------|------------|
| 1 | STD | Batteriledning och batterifrånskiljare Cable de bateria y desconectador bateria Batterieleitung und Batterietrennschalter Cable batterie et robinet batterie Battery cable and main switch | Catalogue id | Group |
| 2 | OPEN ROPS | | 20007 | 371 |
| 3 | | | Illustr. No | Section |
| 4 | | | 1008925 | 100 |
| 5 | | | Issue | Page |
| | | VOE 63D9920007 | 201 | |

VOLVO

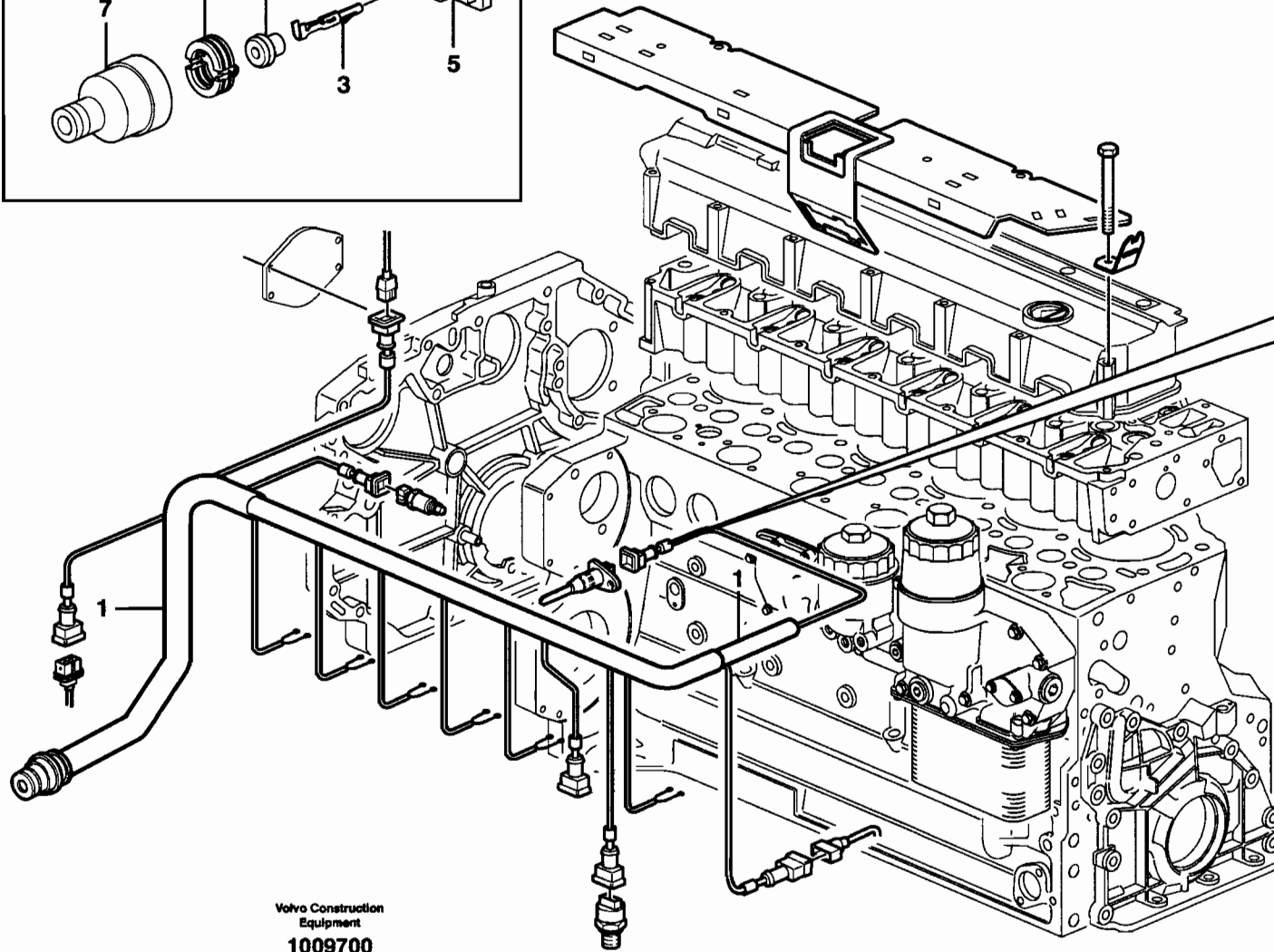
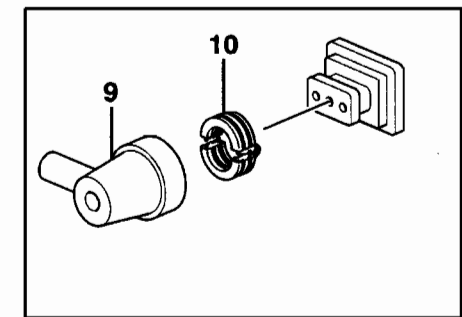
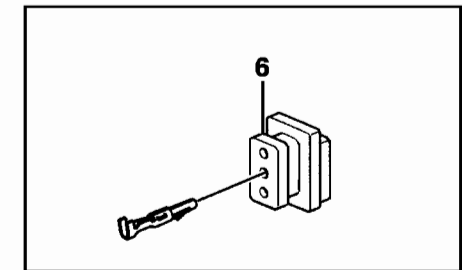
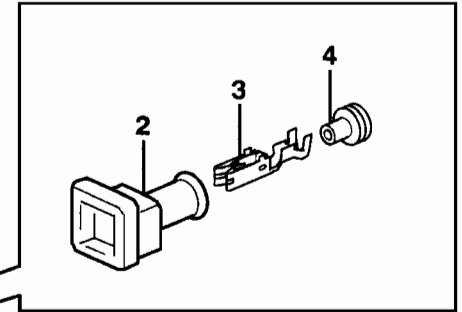
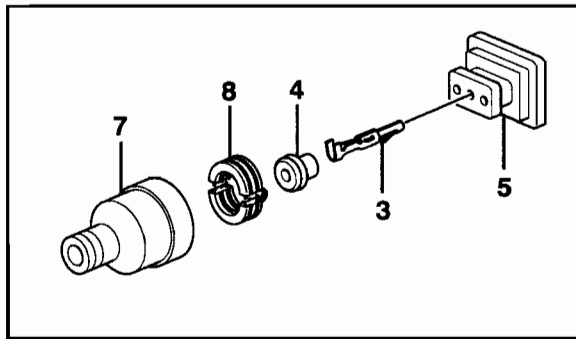
L90E



Volvo Construction
Equipment
1009706

| Fig. | Part No. | Quantity | | | P S | K T | Description | Dénomination | Bezeichnung | Denominación | Benämning | Notes |
|------|-----------------|----------|---|---|--------|-----------------------|------------------------|-----------------------|-----------------------|---------------------|-------------------------|-------|
| | | 1 | 2 | 3 | | | | | | | | |
| 1 | | 1 | | | | Cable harness..... | Faisceau cables..... | Kabelbaum..... | Manojo cables..... | Ledningsmatta..... | See group 371, Page 205 | |
| 2 | VOE 20482772 | 1 | | | | Sensor..... | Capteur..... | Geber..... | Captador..... | Givare..... | | |
| 3 | VOE 20459015 | 1 | | | | Screw..... | Vis..... | Schraube..... | Tornillo..... | Skruv..... | | |
| 4 | VOE 20450693 | 1 | | | | Sensor..... | Capteur..... | Geber..... | Captador..... | Givare..... | | |
| 5 | VOE 20459023 | 2 | | | | Screw..... | Vis..... | Schraube..... | Tornillo..... | Skruv..... | | |
| 6 | VOE 20459183 | 2 | | | | Washer..... | Rondelle..... | Scheibe..... | Arandela..... | Bricka..... | | |
| 7 | VOE 20450691 | 2 | | | | Spacer..... | Entretoise..... | Abstandkörper..... | Distanciador..... | Distans..... | | |
| 8 | | 1 | | | NS | Tube..... | Tube..... | Rohr..... | Tube..... | Rör..... | | |
| 9 | VOE 20450685 | 1 | | | | Sensor..... | Capteur..... | Geber..... | Captador..... | Givare..... | | |
| 10 | VOE 13947621 | 1 | | | | Plane Gasket..... | Joint Plan..... | Flachdichtung..... | Junta Plana..... | Planpackning..... | | |
| 11 | VOE 20405788 | 1 | | | | Sleeve..... | Douille..... | Hülse..... | Manguito..... | Hylsa..... | | |
| 12 | VOE 20450687 | 1 | | | | Sensor..... | Capteur..... | Geber..... | Captador..... | Givare..... | | |
| 13 | VOE 13947628 | 1 | | | | Plane Gasket..... | Joint Plan..... | Flachdichtung..... | Junta Plana..... | Planpackning..... | | |
| 14 | VOE 20450707 | 1 | | | | Tachometer sensor.... | Commande tachymet..... | Drehzahlschalter..... | Sensor tacometro..... | Varvtalsgivare..... | | |
| 15 | VOE 20450694 | 1 | | | | Screw..... | Vis..... | Schraube..... | Tornillo..... | Skruv..... | | |
| 16 | VOE 20450695 | 1 | | | | Temp Sensor..... | Detecteur Temp..... | Temperaturgeber..... | Sensor Temperat..... | Temp Givare..... | | |
| 17 | VOE 20450694 | 2 | | | | Screw..... | Vis..... | Schraube..... | Tornillo..... | Skruv..... | | |
| 18 | VOE 3161983 | 1 | | | SS | ECU..... | ECU..... | ECU..... | ECU..... | ECU..... | | |
| 19 | | 1 | | | NS | Bracket..... | Console..... | Konsole..... | Ménsula..... | Konsol..... | | |
| 20 | VOE 20459022 | 1 | | | | Nut..... | Ecrou..... | Mutter..... | Tuerca..... | Mutter..... | | |
| 21 | | 1 | | | NS | Bracket..... | Console..... | Konsole..... | Ménsula..... | Konsol..... | | |
| 22 | VOE 20450700 | 1 | | | | Bracket..... | Console..... | Konsole..... | Consola..... | Konsol..... | | |
| 23 | VOE 20450997 | 2 | | | | Bracket..... | Console..... | Konsole..... | Consola..... | Konsol..... | | |
| 24 | VOE 20405898 | 1 | | | | Screw..... | Vis..... | Schraube..... | Tornillo..... | Skruv..... | | |
| 25 | VOE 4881440 REQ | | | | | Strip Clamp..... | Ruban Serrage..... | Kabelbinder..... | Abraz Cinta..... | Bandklamma..... | | |
| 26 | VOE 20450683 | 1 | | | | Adapter..... | Raccord Reduct..... | Verbind Stutzen..... | Adaptador..... | Adapter..... | | |
| 27 | VOE 13947628 | 1 | | | | Plane Gasket..... | Joint Plan..... | Flachdichtung..... | Junta Plana..... | Planpackning..... | | |

| | | | | |
|---|--|--|-----------------------|------------|
| 1 | | Ledningsmatta, motor Haz de cables, motor Kabelbündel, Motor Faisceau de câbles, moteur Cable harness, engine | Catalogue id | Group |
| 2 | | | 20007 | 371 |
| 3 | | | Illustr. No | Section |
| 4 | | | 1009706 | 150 |
| 5 | | | Issue | Page |
| | | | VOE 63D9920007 | 203 |



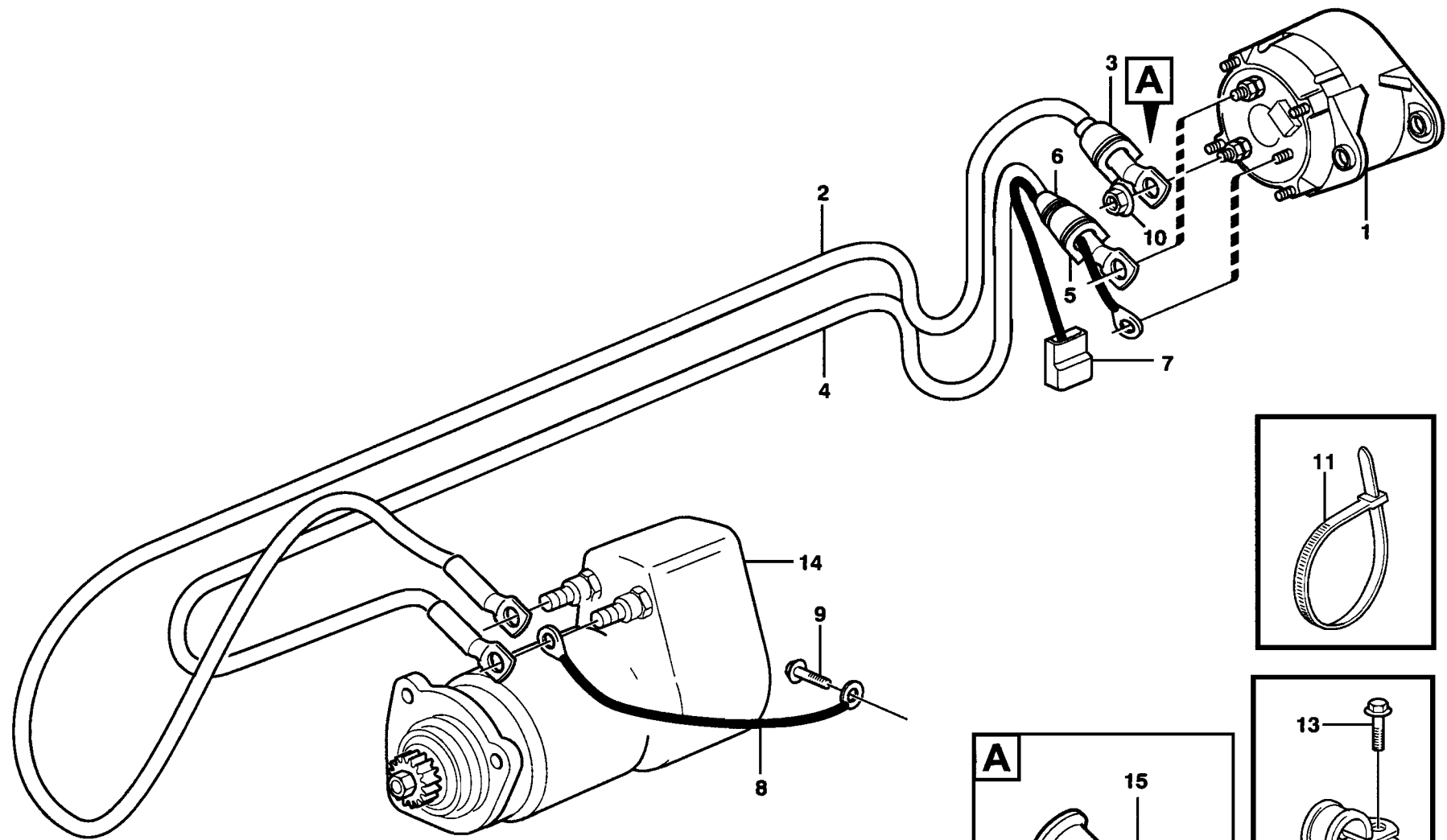
Volvo Construction
Equipment
1009700

| Fig. | Part No. | Quantity | | | P S | K I T | Description | Dénomination | Bezeichnung | Denominación | Benämning | Notes |
|------|--------------|----------|---|---|--------|-------------------|-------------------------|-------------------|--------------------|--------------------|-----------|-------|
| | | 1 | 2 | 3 | | | | | | | | |
| 1 | VOE 20551332 | 1 | | | | Wire harness..... | Faisceau électrique.... | Kabelbaum..... | Manojo cables..... | Ledningsmatta..... | | |
| 2 | VOE 20551333 | 1 | | | | •Housing..... | •Carter..... | •Gehäuse..... | •Carter..... | •Hus..... | | |
| 3 | VOE 20482768 | 14 | | | | •Contact..... | •Contact..... | •Kontakt..... | •Contacto..... | •Kontakt..... | | |
| 4 | | 18 | | | NS | •Insulation..... | •Isolant..... | •Isolierung..... | •Aislante..... | •Isolering..... | | |
| 5 | VOE 20551334 | 4 | | | | •Housing..... | •Carter..... | •Gehäuse..... | •Carter..... | •Hus..... | | |
| 6 | VOE 20482770 | 2 | | | | •Connector..... | •Raccord..... | •Anschluss..... | •Union..... | •Anslutning..... | | |
| 7 | VOE 20551408 | 3 | | | | •Cap..... | •Chapeau..... | •Kappe..... | •Caperuza..... | •Lock..... | | |
| 8 | VOE 20551428 | 6 | | | | •Reduction..... | •Reduction..... | •Reduzierung..... | •Reduccion..... | •Reducering..... | | |
| 9 | VOE 20551409 | 2 | | | | •Cap..... | •Chapeau..... | •Kappe..... | •Caperuza..... | •Lock..... | | |
| 10 | VOE 20551427 | 2 | | | | •Reduction..... | •Reduction..... | •Reduzierung..... | •Reduccion..... | •Reducering..... | | |

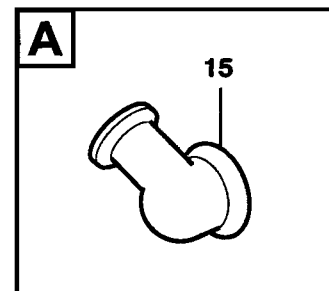
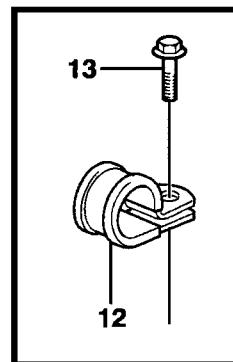
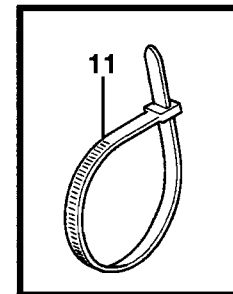
| | | | | |
|---|--|----------------------------|----------------|---------|
| 1 | | Ledningsmatta, motor | Catalogue id | Group |
| 2 | | Haz de cables, motor | 20007 | 371 |
| 3 | | Kabelbündel, Motor | Illustr. No | Section |
| 4 | | Faisceau de câbles, moteur | 1009700 | 175 |
| 5 | | Cable harness, engine | Issue | Page |
| | | | VOE 63D9920007 | 205 |

VOLVO

L90E



Volvo Construction
Equipment
1009213



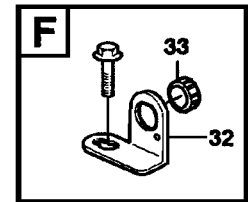
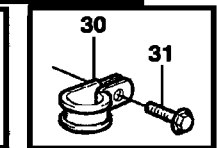
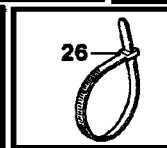
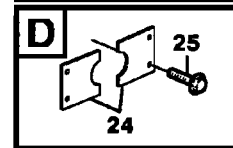
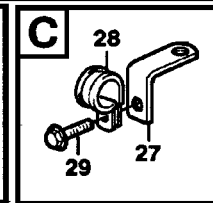
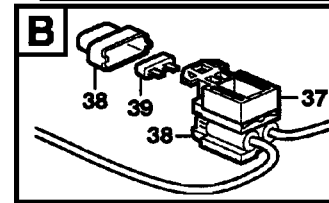
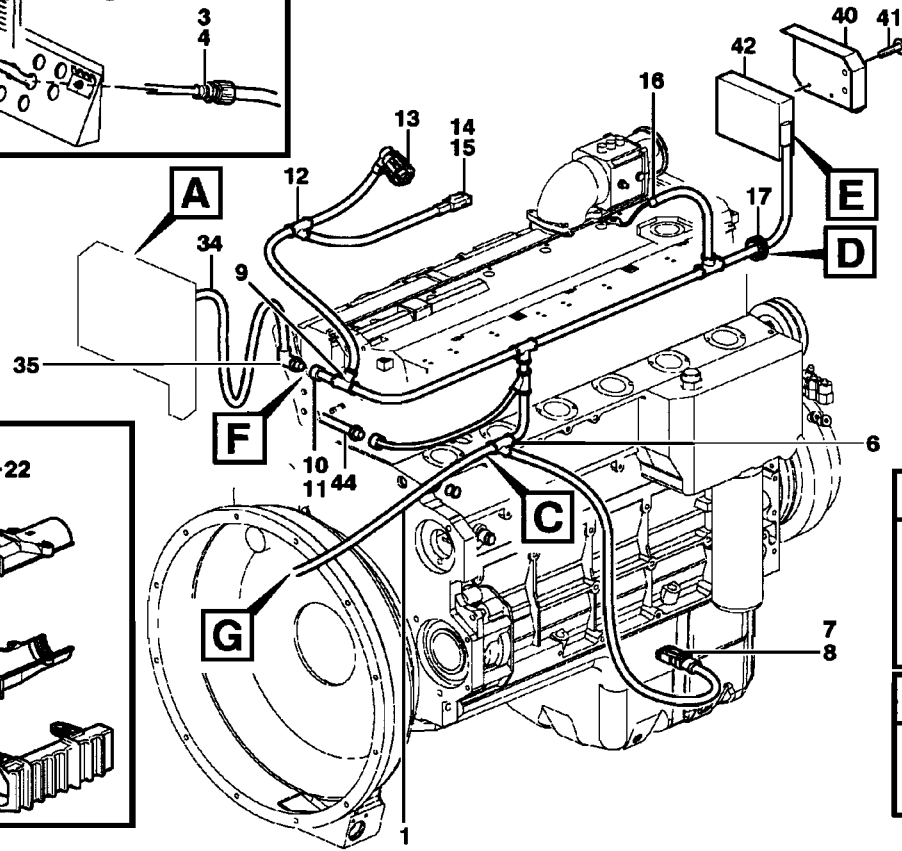
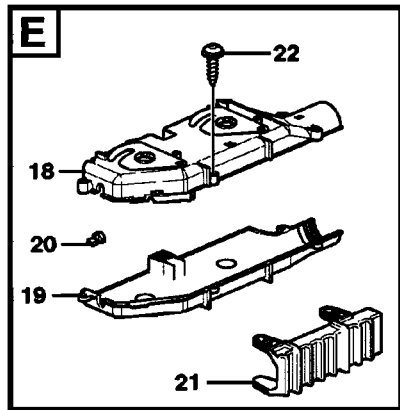
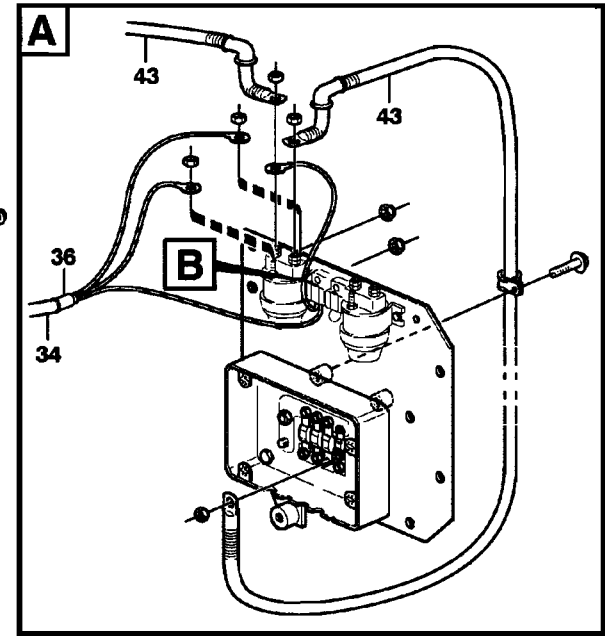
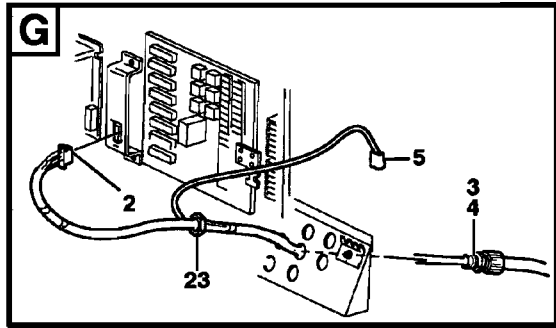
| Fig. | Part No. | Quantity | | | P S | K I T | Description | Dénomination | Bezeichnung | Denominación | Benämning | Notes |
|------|--------------|----------|---|---|--------|----------------------|-----------------------|---------------------|-------------------------|---------------------|-------------------------|-------|
| | | 1 | 2 | 3 | | | | | | | | |
| 1 | | 1 | | | | Alternator | Alternateur | Lichtmaschine | Alternador | Generator..... | See group 321, Page 159 | |
| 2 | VOE 11170656 | 1 | | | | Wire Assembly | Cable..... | Leitung | Cable..... | Ledning..... | 1245) B+ | |
| 3 | VOE 11039154 | 1 | | | | •Grommet..... | •Passe fil | •Durchführung | •Aislador pasapanel ... | •Genomföring..... | | |
| 4 | VOE 11170657 | 1 | | | | Wire Assembly | Cable..... | Leitung | Cable..... | Ledning..... | 1245) 31/RD | |
| 5 | VOE 11039154 | 1 | | | | •Grommet..... | •Passe fil | •Durchführung | •Aislador pasapanel ... | •Genomföring..... | | |
| 6 | VOE 11039397 | 1 | | | | •End Sleeve | •Douille Extrem. | •Aderendhülse..... | •Manguito Final | •Ändhylsa..... | | |
| 7 | VOE 1307049 | 1 | | | | •Pin Housing | •Fiche Isolante | •Rundstecker..... | •Aislad Clavija | •Stiftisolator..... | | |
| 8 | VOE 11170554 | 1 | | | | Wire Assembly | Cable..... | Leitung | Cable..... | Ledning..... | 1245) 31 | |
| 9 | VOE 13966807 | 1 | | | | Flange screw..... | Vis à bride | Flanschschrabe..... | Torn embridado..... | Flänsskruv..... | | |
| 10 | VOE 13945408 | 1 | | | | Nut | Ecrou..... | Mutter | Tuerca | Mutter..... | | |
| 11 | VOE 4881440 | REQ | | | | Strip Clamp | Ruban Serrage..... | Kabelbinder..... | Abraz Cinta | Bandklamma..... | | |
| 12 | VOE 13977599 | 2 | | | | Clamp..... | Pince Serrage | Klemme | Abrazadera..... | Klämma..... | ID = 22,2 MM | |
| | VOE 942810 | 1 | | | | Clamp..... | Pince Serrage | Klemme | Abrazadera..... | Klämma..... | ID = 17,5 MM | |
| | VOE 13949746 | 1 | | | | Clamp..... | Pince Serrage | Klemme | Abrazadera..... | Klämma..... | ID = 12,7 MM | |
| 13 | VOE 946440 | 1 | | | | Flange screw..... | Vis à bride | Flanschschrabe..... | Torn embridado..... | Flänsskruv..... | M8 X 16 MM | |
| | VOE 13946173 | 1 | | | | Flange screw..... | Vis à bride | Flanschschrabe..... | Torn embridado..... | Flänsskruv..... | M8 X 20 MM | |
| 14 | | 1 | | | | Starter motor | Demarreur | Anlasser | Motor arranque..... | Startmotor..... | See group 331, Page 165 | |
| 15 | VOE 241308 | 1 | | | | Protective cap | Capuchon de protecti. | Schutzkappe | Cubierta de protecció | Skyddshatt..... | | |

1245) GB: Including parts: Wire assembly, hose, manifold, cable terminal and isolator See Group 379. FR: Article: cable, flexible, tubulure, cosse cable y isolant. See Group 379 DE: Artikeln: El leitung, Schlauch, Verzweigung, Kabelschuh und Isolator. See Group 379. ES: Artículo: cable, manguera, bifurcacion, terminal cable et aislador. See Group 379. SE: Artiklar: ledning, slang, förgrening, ledningssko och isolator. See Group 379

| | | | | |
|---|--|-------------------------------------|-----------------------|------------|
| 1 | | Ledningsmatta, generator | Catalogue id | Group |
| 2 | | Manojo de cables, alternador | 20007 | 371 |
| 3 | | Kabelbaum, Lichtmaschine | Illustr. No | Section |
| 4 | | Faisceau câbles, dynamo | 1009213 | 200 |
| 5 | | Cable harness, alternator | Issue | Page |
| | | STD, OPEN ROPS | VOE 63D9920007 | 207 |

VOLVO

L90E

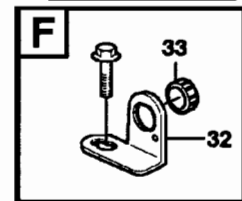
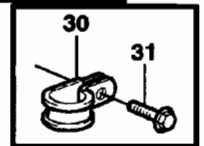
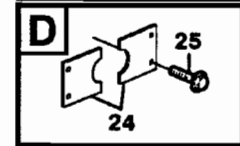
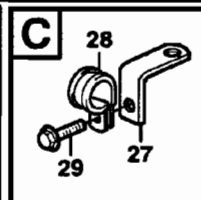
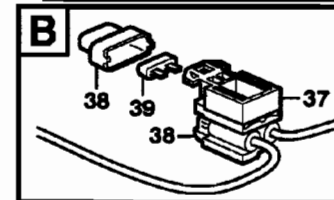
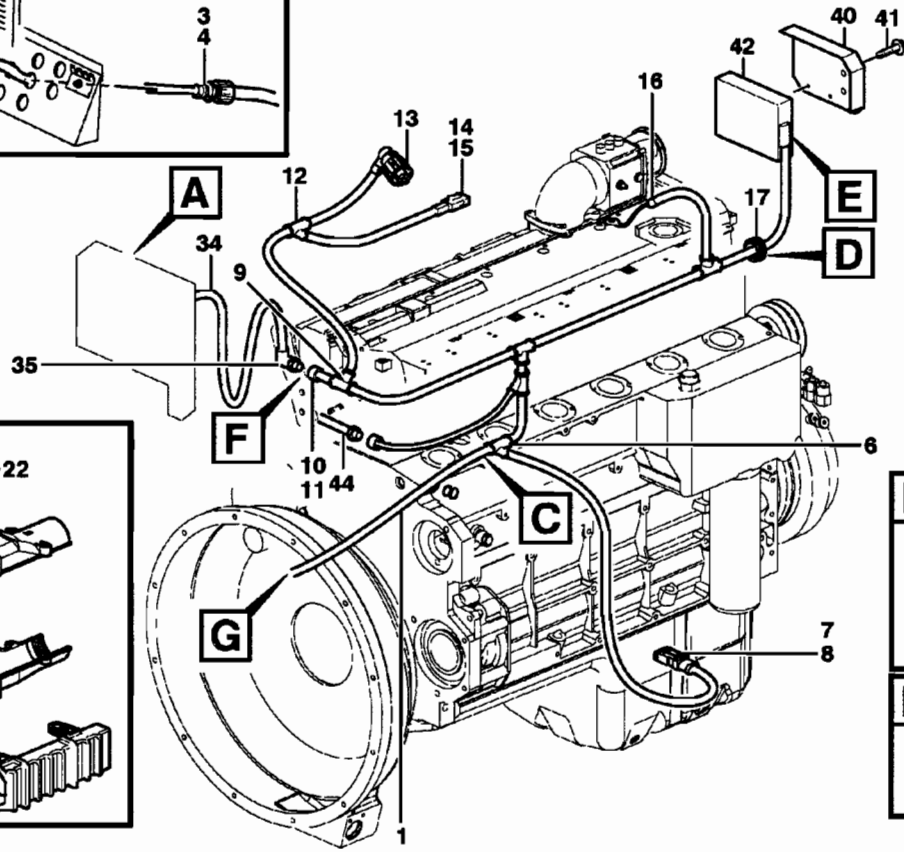
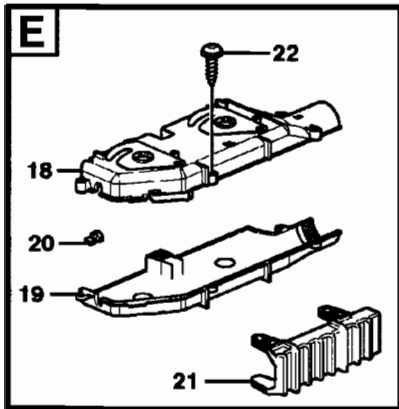
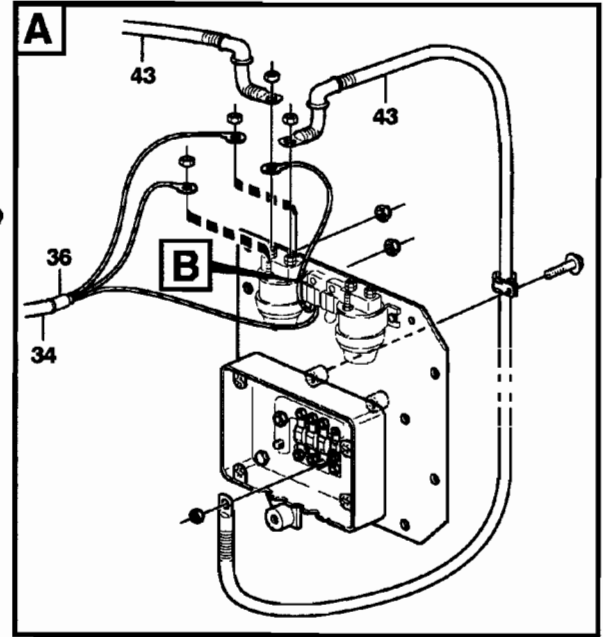
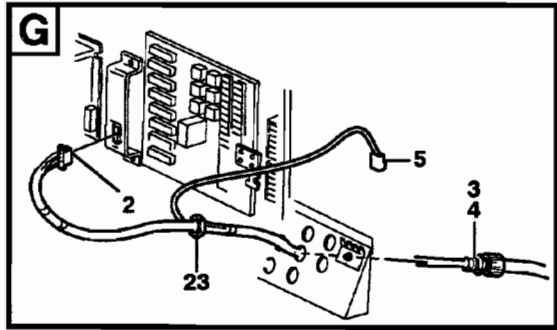


Volvo Construction
Equipment
1004017

| Fig. | Part No. | Quantity | | | P S | K I T | Description | Dénomination | Bezeichnung | Denominación | Benämning | Notes |
|------|--------------|----------|---|---|--------|-------------|---|--|--|--|---|---|
| | | 1 | 2 | 3 | | | | | | | | |
| 1 | VOE 11170827 | 1 | | | | | Cable harness..... | Faisceau cables..... | Kabelbaum..... | Manojo cables..... | Ledningsmatta..... | 1245) STD S/N - 20095 STD S/N - 66059 USA STD S/N - 70802 BRAZIL |
| | VOE 11170926 | 1 | | | | | Cable harness..... | Faisceau cables..... | Kabelbaum..... | Manojo cables..... | Ledningsmatta..... | STD S/N 20096 - STD S/N 66060 - USA STD S/N 70803 - BRAZIL OPEN ROPS |
| | | | | | | | •CONNECTED TO: •El Distr Unit •Cable harness •Pre-heater •Control Unit •Sensor •Level sensor •Sensor | •CONNECTÉ A: •Centrale Elect •Faisceau cables •Prechauffeur •Unite Commande •Capteur •Detecteur niveau •Capteur | •ANGESCHLOSSEN: •Elektrozentrale •Kabelbaum •Vorwärmer •Steuergerät •Geber •Fullstandgeber •Geber | •CONECTADO A: •Central Electr •Manojo cables •Precalentador •Unidad Mando •Captador •Emisor nivel •Captador | •ANSLUTER TILL: •Elcentral •Ledningsmatta •Förvärmare •Styrenhet •Givare •Nivågivare •Givare | ES, 31E ED, RT HE2501 EECU. EA, EB SE2502/01 SE2603 SE213 STD S/N - 20095 STD S/N - 66059 USA STD S/N - 70802 BRAZIL |
| 2 | VOE 1096619 | 1 | 1 | | | | •Insulator..... | •Isolateur..... | •Isolator..... | •Aislador..... | •Isolator..... | |
| 3 | VOE 4803768 | 1 | 1 | | | | •Hose Coupling..... | •Raccor.flexible..... | •Schlauchkupplg..... | •Acoplam Manguer..... | •Slangkoppling..... | |
| 4 | VOE 4803795 | 1 | 1 | | | | •Reduction..... | •Reduction..... | •Reduzierung..... | •Reduccion..... | •Reducering..... | |
| 5 | VOE 13949597 | 1 | 1 | | | | •Protecting Sleeve..... | •Manchon Protection.. | •Schutzhülle..... | •Manguito Protec..... | •Skyddshylsa..... | |
| 6 | VOE 11039710 | 1 | | | | | •Manifold..... | •Tubulure..... | •Verzweigung..... | •Bifurcacion..... | •Förgrening..... | |
| 7 | VOE 1620582 | 1 | | | | | •Housing Cover..... | •Gaine Isolante..... | •Isolatorhülle..... | •Funda Aislador..... | •Isolatorhölje..... | |
| 8 | VOE 14371536 | 1 | | | | | •Socket..... | •Socle..... | •Sockel..... | •Zocalo..... | •Socket..... | |
| 9 | VOE 14346331 | 1 | 1 | | | | •Manifold..... | •Tubulure..... | •Verzweigung..... | •Bifurcacion..... | •Förgrening..... | |
| 10 | VOE 3944972 | 1 | 1 | | | | •Insulator..... | •Isolateur..... | •Isolator..... | •Aislador..... | •Isolator..... | |

1245) **GB:** Including parts: Wire assembly, hose, manifold, cable terminal and isolator See Group 379. **FR:** Article: cable, flexible, tubulure, cosse cable y isolant. See Group 379 **DE:** Artikeln: El leitung, Schlauch, Verzweigung, Kabelschuh und Isolator. See Group 379. **ES:** Artículo: cable, manguera, bifurcacion, terminal cable et aislador. See Group 379. **SE:** Artiklar: ledning, slang, förgrening, ledningssko och isolator. See Group 379

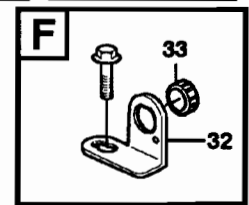
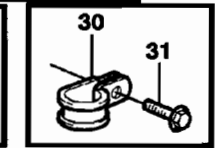
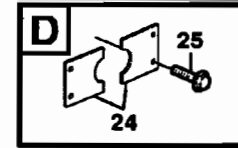
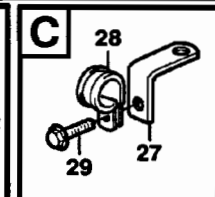
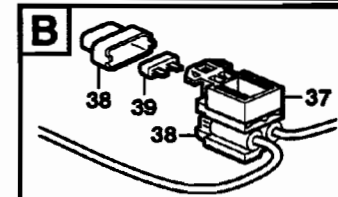
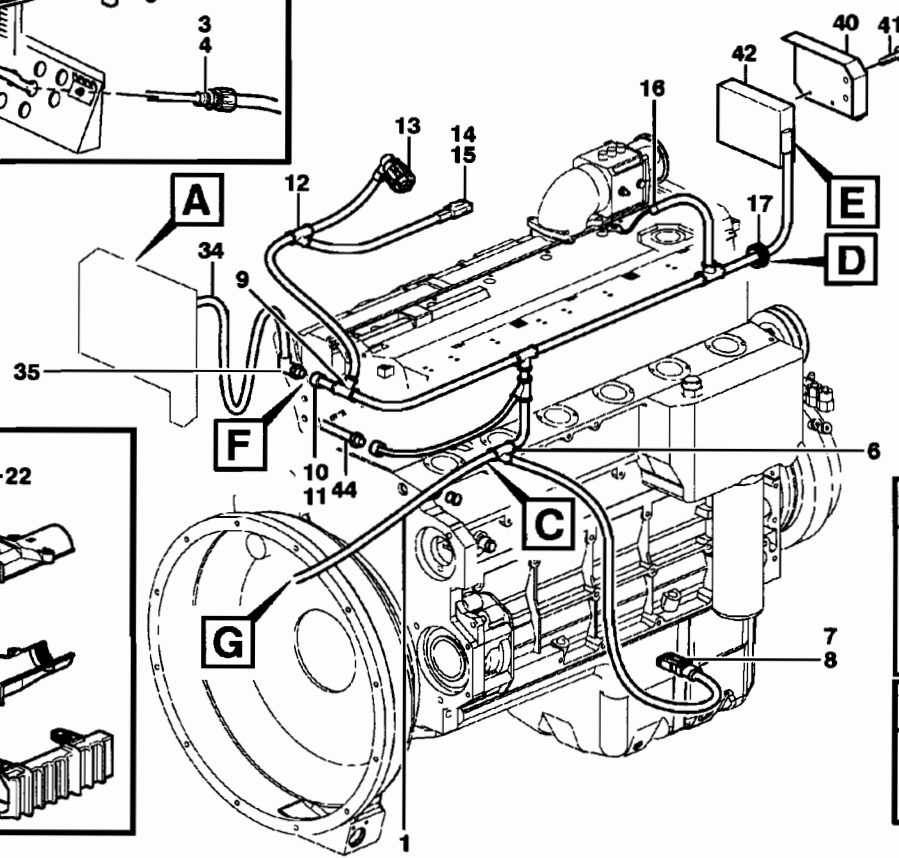
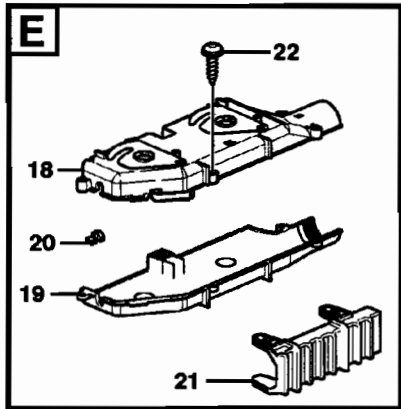
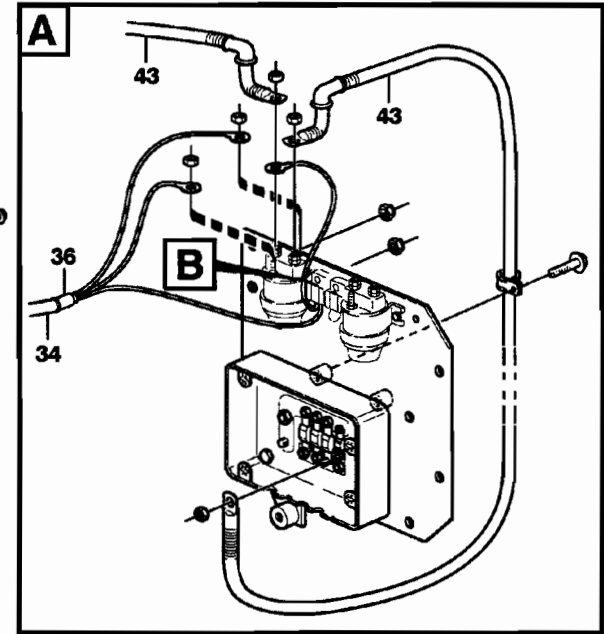
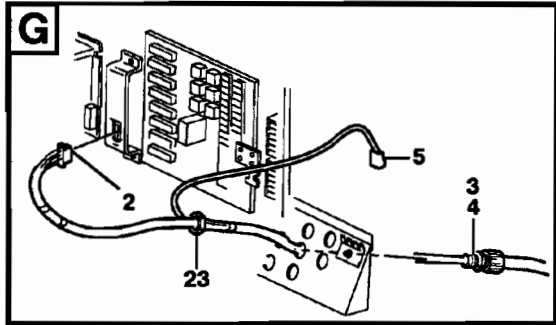
| | | | | |
|---|----------------|--|-------------------------------|-----------------------|
| 1 | STD | Ledningsmatta, elcentral - motor E-ECU | Catalogue id 20007 | Group 371 |
| 2 | STD, OPEN ROPS | Manojo cables, centralilla eléctrica - motor E-ECU | Illustr. No 1004017 | Section 250 |
| 3 | | Kabelbaum, Elektrozentrale - Motor E-ECU | | |
| 4 | | Faisceau câbles, centrle électrique - moteur E-ECU | Issue VOE 63D9920007 | Page 209 |
| 5 | | Cable harness, electrical distrib. unit - engine E-ECU | | |



Volvo Construction
Equipment
1004017

| Fig. | Part No. | Quantity | | | P S | K I T | Description | Dénomination | Bezeichnung | Denominación | Benämning | Notes |
|------|--------------|----------|-----|---|--------|----------------------|-------------------------|----------------------|-----------------------|-----------------------|--------------|-------|
| | | 1 | 2 | 3 | | | | | | | | |
| 11 | VOE 3985597 | 1 | 1 | | | •Guard..... | •Protection..... | •Schutz..... | •Protección..... | •Skydd..... | | |
| 12 | VOE 11039665 | 1 | 1 | | | •Manifold..... | •Tubulure..... | •Verzweigung..... | •Bifurcacion..... | •Förgrening..... | | |
| 13 | VOE 8159013 | 1 | 1 | | | •Insulator..... | •Isolateur..... | •Isolator..... | •Aislador..... | •Isolator..... | | |
| 14 | VOE 1624477 | 1 | 1 | | | •Rcpt Housing..... | •Douille Isolan..... | •Steckbuchse..... | •Aislador Mangui..... | •Hyllisolator..... | | |
| 15 | VOE 1095059 | 1 | 1 | | | •Joint Nipple..... | •Raccord..... | •Verbind Nippel..... | •Niple Union..... | •Skarvnippel..... | | |
| 16 | VOE 11039397 | 1 | 1 | | | •End Sleeve..... | •Douille Extrem..... | •Aderendhülse..... | •Manguito Final..... | •Ändhylsa..... | | |
| 17 | VOE 13961962 | 1 | 1 | | | •Ptct Bushing..... | •Bague Protection..... | •Schutzhülse..... | •Buje Proteccion..... | •Skyddsbusning..... | | |
| 18 | VOE 3173910 | 1 | 1 | | | •Cover..... | •Capot..... | •Haube..... | •Cubierta..... | •Kåpa..... | | |
| 19 | VOE 3173909 | 1 | 1 | | | •Cover..... | •Capot..... | •Haube..... | •Cubierta..... | •Kåpa..... | | |
| 20 | VOE 3173913 | 4 | 4 | | | •Shock Absorber..... | •Amortis.confort..... | •Kornf Stossdfr..... | •Amortiguador..... | •Stötdämpare..... | | |
| 21 | VOE 3199185 | 1 | 1 | | | •Handle..... | •Poignee..... | •Griff..... | •Mango..... | •Handtag..... | | |
| 22 | VOE 975367 | 5 | 5 | | | •6-pt skt screw..... | •Vis creuse de 6..... | •Hohlschraube..... | •Racor 6-dientes..... | •Sextandhålskruv..... | | |
| 23 | VOE 11147868 | 1 | 1 | | | Plastic Nut..... | Ecrou Plastique..... | Plastikmutter..... | Tuerca Plastica..... | Plastmutter..... | | |
| 24 | VOE 11175893 | 2 | 2 | | | Cover Plate..... | Protection en tole..... | Schutzblech..... | Placa Tapa..... | Täckplatta..... | | |
| 25 | VOE 13946544 | 4 | 4 | | | Flange screw..... | Vis à bride..... | Flansschraube..... | Torn embridado..... | Flänskruv..... | | |
| 26 | VOE 4881440 | REQ | REQ | | | Strip Clamp..... | Ruban Serrage..... | Kabelbinder..... | Abraz Cinta..... | Bandklamma..... | | |
| 27 | VOE 11024650 | 1 | 1 | | | Angle Plate..... | Tole Angulaire..... | Winkelblech..... | Placa Angular..... | Vinkelplåt..... | | |
| 28 | VOE 13977599 | 1 | 1 | | | Clamp..... | Pince Serrage..... | Klemme..... | Abrazadera..... | Klämma..... | | |
| 29 | VOE 13946173 | 1 | 1 | | | Flange screw..... | Vis à bride..... | Flansschraube..... | Tom embridado..... | Flänskruv..... | | |
| 30 | VOE 13977599 | 2 | 2 | | | Clamp..... | Pince Serrage..... | Klemme..... | Abrazadera..... | Klämma..... | ID = 22,2 MM | |
| | VOE 13949746 | 1 | | | | Clamp..... | Pince Serrage..... | Klemme..... | Abrazadera..... | Klämma..... | ID = 12,7 MM | |
| 31 | VOE 13946173 | 2 | 2 | | | Flange screw..... | Vis à bride..... | Flansschraube..... | Torn embridado..... | Flänskruv..... | | |
| 32 | VOE 3988328 | 1 | 1 | | | Bracket..... | Console..... | Konsole..... | Ménsula..... | Konsol..... | | |
| 33 | VOE 3963413 | 1 | 1 | | | Lock Ring..... | Anneau Verrouillage .. | Schlossring..... | Anillo Segurid..... | Låsring..... | | |

| | | | | |
|---|----------------|--|--------------|---------|
| 1 | STD | Ledningsmatta, elcentral - motor E-ECU Manojo cables, centralilla eléctrica - motor E-ECU Kabelbaum, Elektrozentrale - Motor E-ECU Faisceau câbles, centrle électrique - moteur E-ECU Cable harness, electrical distrib. unit - engine E-ECU | Catalogue id | Group |
| 2 | STD, OPEN ROPS | | 20007 | 371 |
| 3 | | | Illustr. No | Section |
| 4 | | | 1004017 | 250 |
| 5 | | | Issue | Page |
| | | VOE 63D9920007 | 211 | |



Volvo Construction
Equipment
1004017

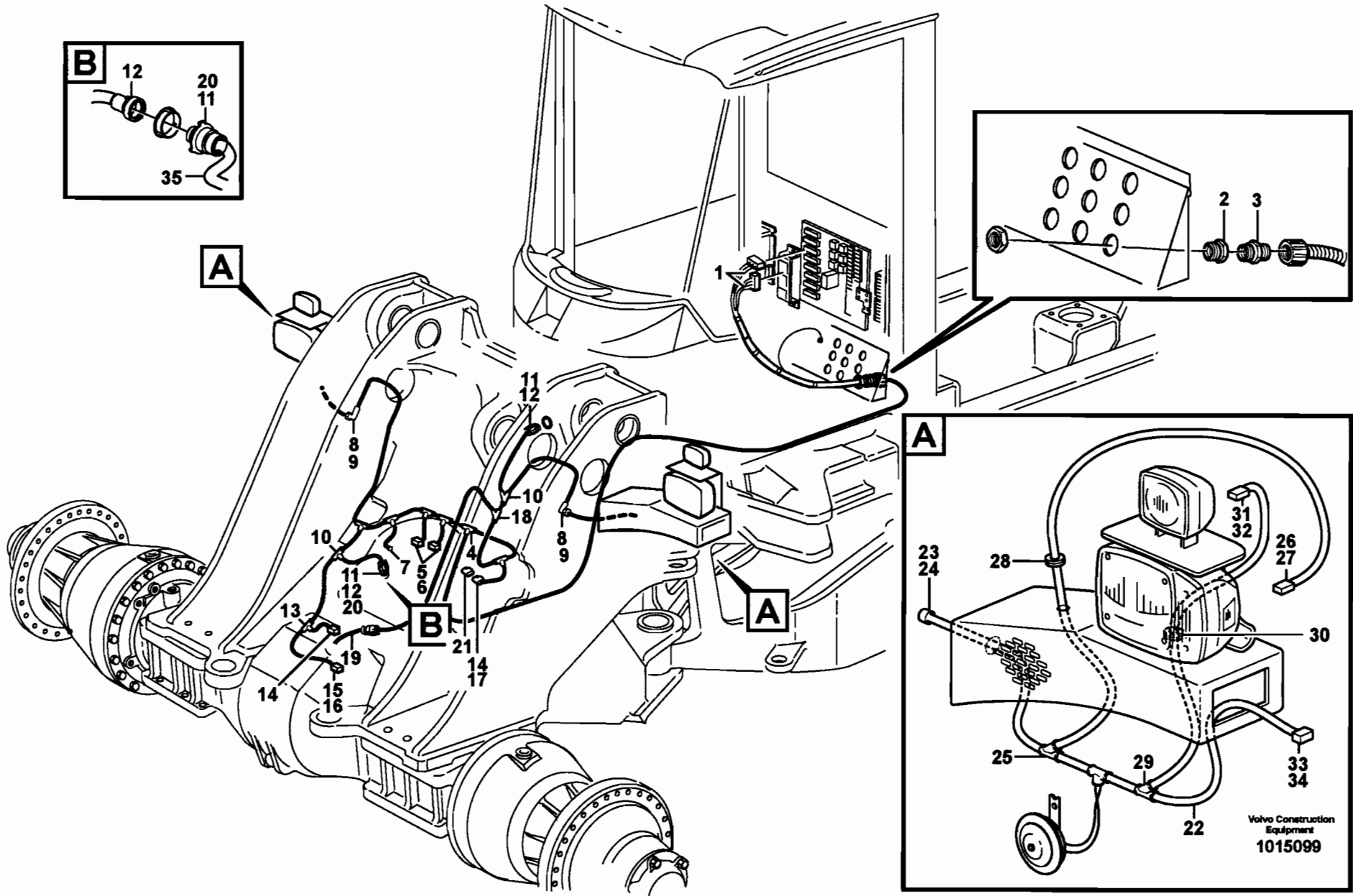
| Fig. | Part No. | Quantity | | | P S | K I T | Description | Dénomination | Bezeichnung | Denominación | Benämning | Notes |
|------|--------------|----------|---|---|--------|----------------------|-----------------------|-------------------------|-----------------------|-----------------------|-----------|-------|
| | | 1 | 2 | 3 | | | | | | | | |
| 34 | VOE 11170828 | 1 | 1 | | | Cable harness..... | Faisceau cables | Kabelbaum | Manojo cables | Ledningsmatta..... | 1245) | |
| | | | | | | •CONNECTED TO:..... | •CONNECTÉ A: | •ANGESCHLOSSEN:..... | •CONECTADO A:..... | •ANSLUTER TILL:..... | | |
| | | | | | | •Cable harness | •Faisceau cables..... | •Kabelbaum | •Manojo cables..... | •Ledningsmatta..... | RT | |
| | | | | | | •Fuse | •Fusible | •Sicherung | •Fusible | •Säkring | FH1 | |
| | | | | | | •Relay | •Relais..... | •Relais..... | •Rele | •Relä..... | RE2501 | |
| 35 | VOE 8159013 | 1 | 1 | | | •Insulator..... | •Isolateur | •Isolator | •Aislador | •Isolator..... | | |
| 36 | VOE 11039397 | 1 | 1 | | | •End Sleeve | •Douille Extrem. | •Aderendhülse..... | •Manguito Final | •Ändhylsa..... | | |
| 37 | VOE 11039713 | 1 | 1 | | | •Bracket | •Console..... | •Konsole | •Consola..... | •Konsol..... | | |
| 38 | VOE 11039714 | 1 | 1 | | | •Fuse Holder | •Porte fusible..... | •Sicherungshalter | •Porta-fusible..... | •Säkringshållare..... | | |
| 39 | VOE 13969160 | 1 | 1 | | | •Fuse..... | •Fusible | •Schmelzsicherung..... | •Fusible | •Smältsäkring..... | 5A | |
| 40 | VOE 11413327 | 1 | 1 | | | Protection..... | Protection | Schutz | Proteccion | Skydd..... | | |
| 41 | VOE 13948746 | 4 | 4 | | | Screw..... | Vis | Schraube..... | Tornillo | Skruv..... | | |
| 42 | | 1 | 1 | | | ECU | ECU | ECU..... | ECU..... | ECU..... | | |
| 43 | | 1 | 1 | | | Cable harness..... | Faisceau cables | Kabelbaum | Manojo cables | Ledningsmatta..... | | |
| 44 | | 1 | 1 | | | Cable harness..... | Faisceau cables | Kabelbaum | Manojo cables | Ledningsmatta..... | | |

1245) **GB:** Including parts: Wire assembly, hose, manifold, cable terminal and isolator See Group 379. **FR:** Article: cable, flexible, tubulure, cosse cable y isolant. See Group 379 **DE:** Artikeln: El leitung, Schlauch, Verzweigung, Kabelschuh und Isolator. See Group 379. **ES:** Articulo: cable, manguera, bifurcacion, terminal cable et aislador. See Group 379. **SE:** Artiklar: ledning, slang, förgrening, ledningssko och isolator. See Group 379

| | | | | |
|---|----------------|---|----------------|------------|
| 1 | STD | Ledningsmatta, elcentral - motor E-ECU Manojo cables, centralilla eléctrica - motor E-ECU Kabelbaum, Elektrozentrale - Motor E-ECU Faisceau câbles, centrle électrique - moteur E-ECU Cable harness, electrical distrib. unit - engine E-ECU | Catalogue id | Group |
| 2 | STD, OPEN ROPS | | 20007 | 371 |
| 3 | | | Illustr. No | Section |
| 4 | | | 1004017 | 250 |
| 5 | | | Issue | Page |
| | | VOE 63D9920007 | 213 | |

VOLVO

L90E



| Fig. | Part No. | Quantity | | | P S | K I T | Description | Dénomination | Bezeichnung | Denominación | Benämning | Notes |
|------|----------|----------|---|---|--------|-------------|-------------|--------------|-------------|--------------|-----------|-------|
| | | 1 | 2 | 3 | | | | | | | | |

| | | | | | | | | | | | |
|--------------|---|--|--|--|--|--------------------|----------------------|----------------|--------------------|--------------------|--|
| VOE 11170844 | 1 | | | | | Cable harness..... | Faisceau cables..... | Kabelbaum..... | Manojo cables..... | Ledningsmatta..... | 1245) S/N - 20640, - 66440 USA S/N - 70860 BRA |
| VOE 11170946 | 1 | | | | | Cable harness..... | Faisceau cables..... | Kabelbaum..... | Manojo cables..... | Ledningsmatta..... | S/N 20641 - S/N 66441 - USA S/N 70861 - BRA |

| •CONNECTED TO: | •CONNECTÉ A: | •ANGESCHLOSSEN: | •CONECTADO A: | •ANSLUTER TILL: | |
|---------------------|------------------------|----------------------|------------------------|---------------------|--------------|
| ••El Distr Unit | ••Centrale Elect | ••Elektrozentrale | ••Central Electr | ••Elcentral | F, FA, 31F |
| ••Earth | ••Terre | ••Erde | ••Tierra | ••Jord | 31F1 |
| ••Atch Lock | ••Verrouill Acces | ••Gerätesch.kuppl | ••Cierre Implemen | ••Redskapslåsning | MA905 |
| ••Differential lock | ••Blocage différentiel | ••Ausgleichsperre | ••Bloqueo diferencial | ••Differentialspär | MA407, SE408 |
| ••Boom suspension | ••Amortisseur vibratio | ••Schwingungsdämpf | ••Amortiguad. vibracio | ••Boom suspension | FD |
| ••Front axle, temp. | ••Essieu AV, temp. | ••Vorderachse, temp. | ••Eje delantero, temp. | ••Framaxel, temp. | SE410 |
| ••Tilt automatic | ••Automatique redres | ••Schwenkautomatik | ••Automatismo volqu | ••Tiltautomatik | SE901 |
| ••Attachment light | ••Eclairage outil | ••Gerätescheinwerfer | ••Iluminac.herramient | ••Redskapsbelysning | FF |
| ••Boom kickout | ••Automatique levage | ••Hubwerkautomatik | ••Elevador automatic | ••Lyftautomatik | SE902 |
| ••Cable harness | ••Faisceau cables | ••Kabelbaum | ••Manojo cables | ••Ledningsmatta | FE, FM |

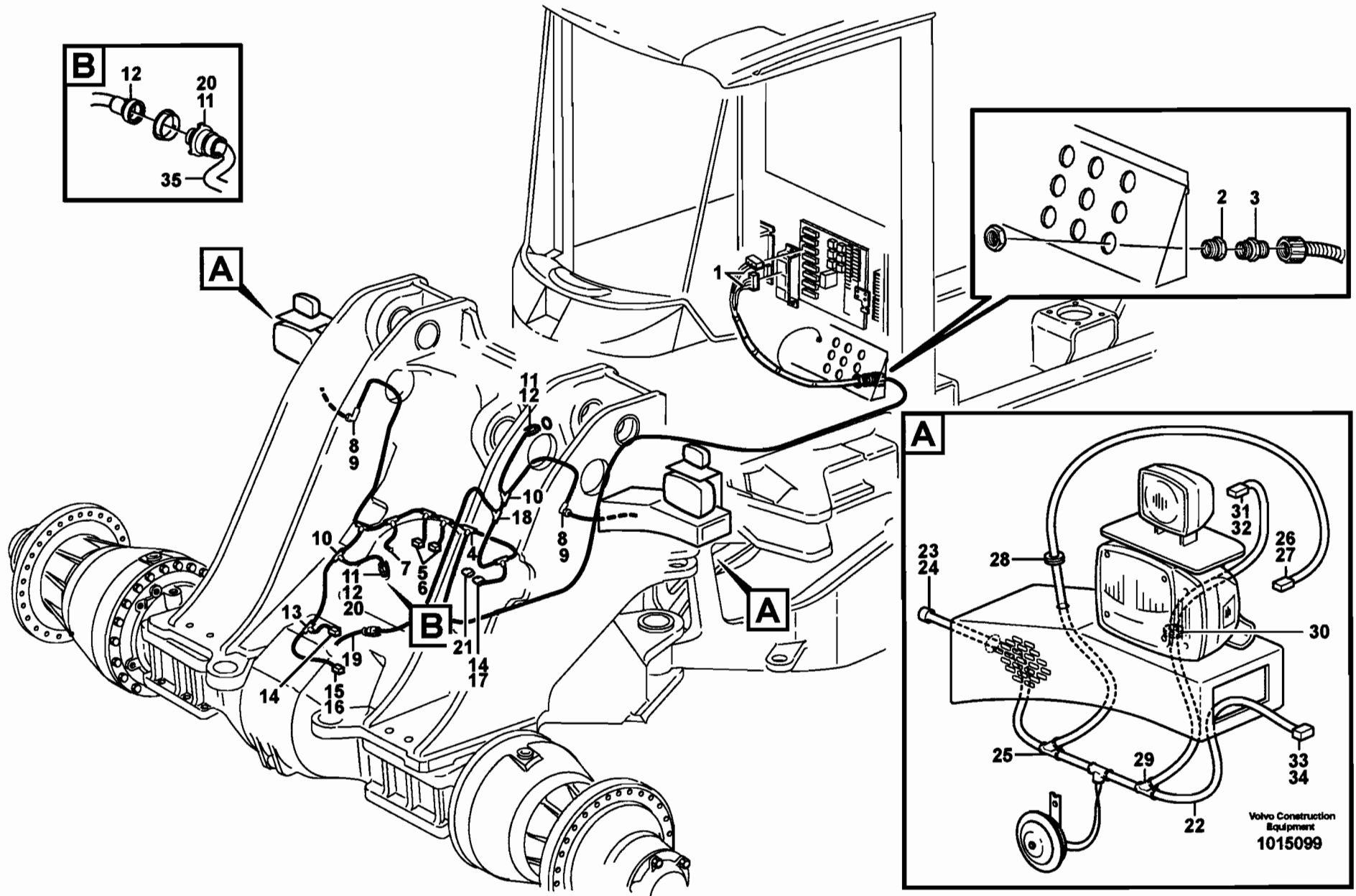
| | | | | | | | |
|----|--------------|---|---------------------|-----------------------|-----------------------|-----------------------|---------------------|
| 1 | VOE 1096619 | 2 | •Insulator..... | •Isolateur..... | •Isolator..... | •Aislador..... | •Isolator..... |
| 2 | VOE 11039398 | 1 | •Reduction..... | •Reduction..... | •Reduzierung..... | •Reduccion..... | •Reducering..... |
| 3 | VOE 4803769 | 1 | •Hose Coupling..... | •Raccor.flexible..... | •Schlauchkupplg..... | •Acoplam Manguer..... | •Slangkoppling..... |
| 4 | VOE 11039663 | 1 | •Manifold..... | •Tubulure..... | •Verzweigung..... | •Bifurcacion..... | •Förgrening..... |
| 5 | VOE 8142100 | 2 | •Adapter..... | •Raccord Reduct..... | •Verbind Stutzen..... | •Adaptador..... | •Adapter..... |
| 6 | VOE 976256 | 2 | •Insulator..... | •Isolateur..... | •Isolator..... | •Aislador..... | •Isolator..... |
| 7 | VOE 4803711 | 1 | •End Sleeve..... | •Douille Extrem..... | •Aderendhülse..... | •Manguito Final..... | •Ändhyisa..... |
| 8 | VOE 3985598 | 2 | •Guard..... | •Protection..... | •Schutz..... | •Protección..... | •Skydd..... |
| 9 | VOE 3963412 | 2 | •Rcpt Housing..... | •Douille Isolan..... | •Steckbuchse..... | •Aislador Mangui..... | •Hylisolator..... |
| 10 | VOE 14346331 | 2 | •Manifold..... | •Tubulure..... | •Verzweigung..... | •Bifurcacion..... | •Förgrening..... |

1245) GB: Including parts: Wire assembly, hose, manifold, cable terminal and isulator See Group 379. FR: Article: cable, flexible, tubulure, cosse cable y isolant. See Group 379 DE: Artikeln: El leitung, Schlauch, Verzweigung, Kabelschuh und Isolator. See Group 379. ES: Articulo: cable, manguera, bifurcacion, terminal cable et aislador. See Group 379. SE: Artiklar: ledning, slang, förgrening, ledningssko och isolator. See Group 379

| | | | | |
|---|--|-------------------------------|----------------|---------|
| 1 | | Ledningsmatta, främre | Catalogue id | Group |
| 2 | | Manojo de cables, delantero | 20007 | 371 |
| 3 | | Kabelbaum, vorne | Illustr. No | Section |
| 4 | | Faisceau de câbles, antérieur | 1015099 | 300 |
| 5 | | Cable harness, front | Issue | Page |
| | | STD, OPEN ROPS | VOE 63D9920007 | 215 |

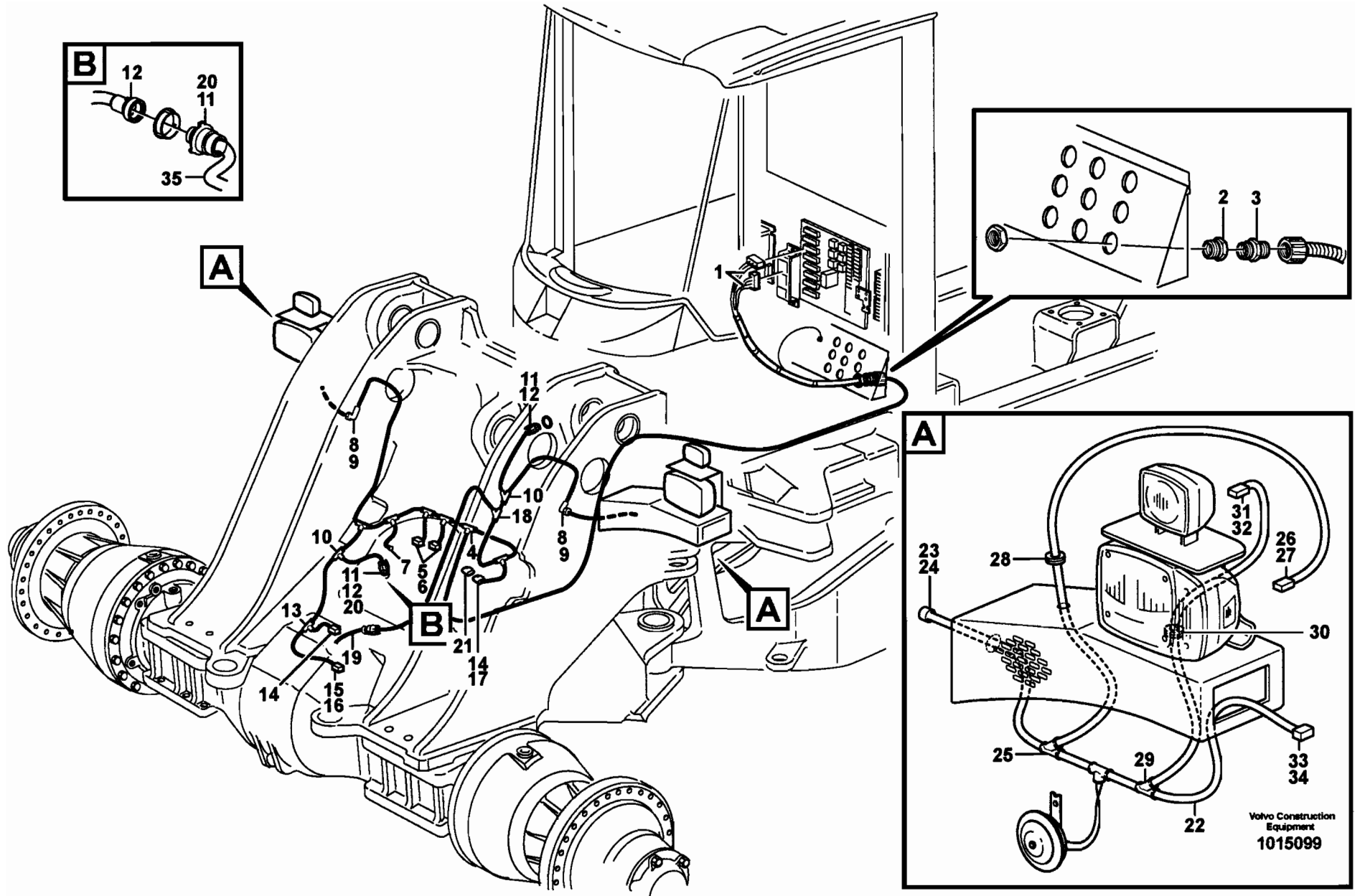
VOLVO

L90E



| Fig. | Part No. | Quantity | | | P S | K I T | Description | Dénomination | Bezeichnung | Denominación | Benämning | Notes |
|------|--------------|----------|---|---|--------|----------------------|------------------------|-----------------------|-----------------------|----------------------|--------------------------|-------|
| | | 1 | 2 | 3 | | | | | | | | |
| 11 | VOE 3944972 | 2 | | | | •Insulator..... | •Isolateur..... | •Isolator..... | •Aislador..... | •Isolator..... | | |
| 12 | VOE 3985597 | 2 | | | | •Guard..... | •Protection..... | •Schutz..... | •Protección..... | •Skydd..... | | |
| 13 | VOE 11039709 | 1 | | | | •Manifold..... | •Tubulure..... | •Verzweigung..... | •Bifurcacion..... | •Förgrening..... | | |
| 14 | VOE 1624477 | 2 | | | | •Rcpt Housing..... | •Douille Isolan..... | •Steckbuchse..... | •Aislador Mangui..... | •Hylsisolator..... | | |
| 15 | VOE 1307048 | 1 | | | | •Insulator..... | •Isolateur..... | •Isolator..... | •Aislador..... | •Isolator..... | | |
| 16 | VOE 1620582 | 1 | | | | •Housing Cover..... | •Gaine Isolante..... | •Isolatorhulle..... | •Funda Aislador..... | •Isolatorhölje..... | | |
| 17 | VOE 1095059 | 1 | | | | •Joint Nipple..... | •Raccord..... | •Verbind Nippel..... | •Niple Union..... | •Skarvnippel..... | | |
| 18 | VOE 14267351 | 1 | | | | •Manifold..... | •Tubulure..... | •Verzweigung..... | •Bifurcacion..... | •Förgrening..... | | |
| 19 | | | | | | Cable harness..... | Faisceau cables..... | Kabelbaum..... | Manojo cables..... | Ledningsmatta..... | See group 945, Page 903 | |
| 20 | VOE 8159013 | 1 | | | | Insulator..... | Isolateur..... | Isolator..... | Aislador..... | Isolator..... | | |
| | VOE 8155899 | 4 | | | | Plug..... | Bouchon..... | Stopfen..... | Tapon..... | Plugg..... | | |
| 21 | VOE 1307049 | 1 | | | | Pin Housing..... | Fiche Isolante..... | Rundstecker..... | Aislad Clavija..... | Stiftisolator..... | | |
| | | 2 | | | NS | Plug..... | Bouchon..... | Stopfen..... | Tapon..... | Plugg..... | | |
| 22 | VOE 11170887 | 2 | | | | Cable harness..... | Faisceau cables..... | Kabelbaum..... | Manojo cables..... | Ledningsmatta..... | | |
| | | | | | | •CONNECTED TO: | •CONNECTÉ A: | •ANGESCHLOSSEN: | •CONECTADO A: | •ANSLUTER TILL: | | |
| | | | | | | ••Cable harness | ••Faisceau cables | ••Kabelbaum | ••Manojo cables | ••Ledningsmatta | FE, FM | |
| | | | | | | ••Headlamp | ••Phare | ••Scheinwerfer | ••Faro | ••Strålkastare | LA301, 304, 310-313, 328 | |
| | | | | | | ••Horn | ••Avertisseur sonore | ••Signalhorn | ••Avisador sonoro | ••Signalhorn | LA330 | |
| | | | | | | ••Working light | ••Phare travail | ••Arbeitsscheinwerfer | ••Farol de trabajo | ••Arbetsbelysning | SA801, 805 | |
| | | | | | | ••Side marking lamp | ••Feu gabarit lateral | ••Sietenbegr.leuchte | ••lampara enmarcaci | ••Sidomarkeringslykt | LA317, 319 | |
| | | | | | | •Pin Housing..... | •Fiche Isolante..... | •Rundstecker..... | •Aislad Clavija..... | •Stiftisolator..... | LA302, 305 | |
| 23 | VOE 3963411 | 2 | | | | •Guard..... | •Protection..... | •Schutz..... | •Protección..... | •Skydd..... | | |
| 24 | VOE 3985597 | 2 | | | | •Manifold..... | •Tubulure..... | •Verzweigung..... | •Bifurcacion..... | •Förgrening..... | | |
| 25 | VOE 11039709 | 2 | | | | •Socket housing..... | •Douille isolante..... | •Steckdose..... | •Aislador mangui..... | •Hylsisolator..... | | |
| 26 | VOE 14340957 | 2 | | | | •Housing Cover..... | •Gaine Isolante..... | •Isolatorhulle..... | •Funda Aislador..... | •Isolatorhölje..... | | |
| 27 | VOE 1620582 | 2 | | | | •Plug..... | •Bouchon..... | •Stopfen..... | •Tapon..... | •Plugg..... | | |
| 28 | VOE 961970 | 2 | | | | •Manifold..... | •Tubulure..... | •Verzweigung..... | •Bifurcacion..... | •Förgrening..... | | |
| 29 | VOE 11039665 | 2 | | | | •Manifold..... | •Tubulure..... | •Verzweigung..... | •Bifurcacion..... | •Förgrening..... | | |
| 30 | VOE 941269 | 2 | | | | •Plug..... | •Bouchon..... | •Stopfen..... | •Tapon..... | •Plugg..... | | |
| 31 | VOE 14370760 | 2 | | | | •Socket..... | •Socle..... | •Steckdose..... | •Toma De Corrien..... | •Stickdosa..... | | |

| | | | | |
|---|--|-------------------------------|----------------|---------|
| 1 | | Ledningsmatta, främre | Catalogue id | Group |
| 2 | | Manojo de cables, delantero | 20007 | 371 |
| 3 | | Kabelbaum, vorne | Illustr. No | Section |
| 4 | | Faisceau de câbles, antérieur | 1015099 | 300 |
| 5 | | Cable harness, front | Issue | Page |
| | | STD, OPEN ROPS | VOE 63D9920007 | 217 |



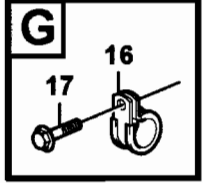
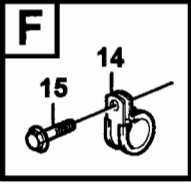
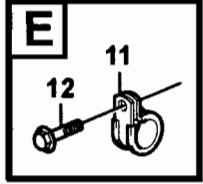
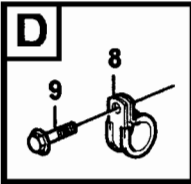
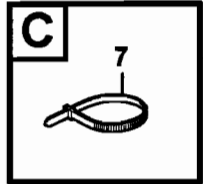
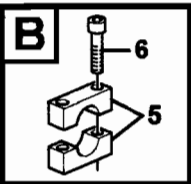
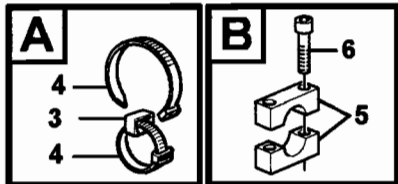
Volvo Construction
Equipment
1015099

| Fig. | Part No. | Quantity | | | P S | K T | Description | Dénomination | Bezeichnung | Denominación | Benämning | Notes |
|------|--------------|----------|---|---|--------|--------------------|-----------------------|------------------------|---------------------|--------------------|----------------------------------|-------|
| | | 1 | 2 | 3 | | | | | | | | |
| 32 | VOE 11170005 | 2 | | | | •Adapter | •Raccord Reduct. | •Verbind Stutzen | •Adaptador | •Adapter..... | | |
| 33 | VOE 976256 | 2 | | | | •Insulator | •Isolateur | •Isolator | •Aislador | •Isolator..... | | |
| 34 | VOE 8142100 | 2 | | | | •Adapter | •Raccord Reduct. | •Verbind Stutzen | •Adaptador | •Adapter..... | | |
| 35 | | 1 | | | | Cable harness..... | Faisceau cables | Kabelbaum | Manojo cables | Ledningsmatta..... | 80931 See group 371, Page 275 | |

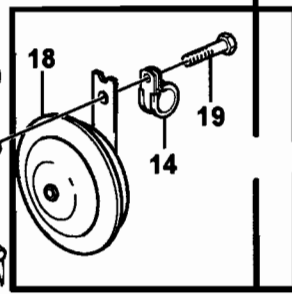
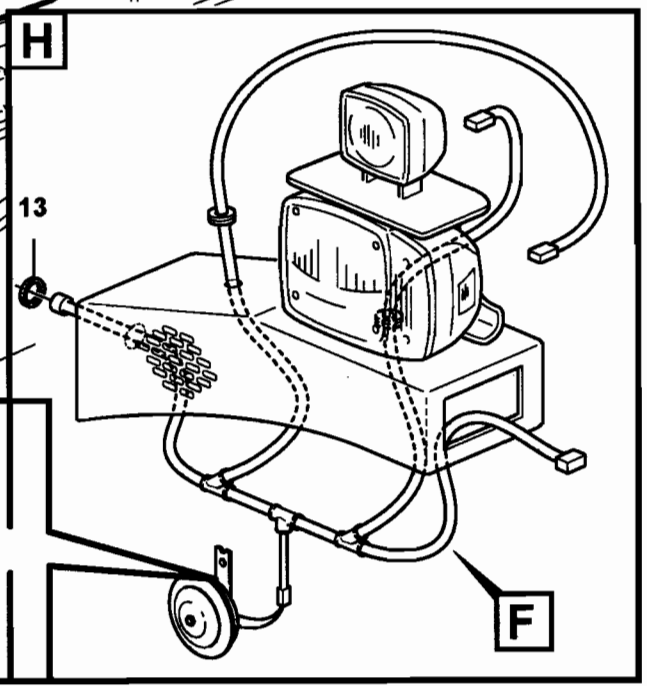
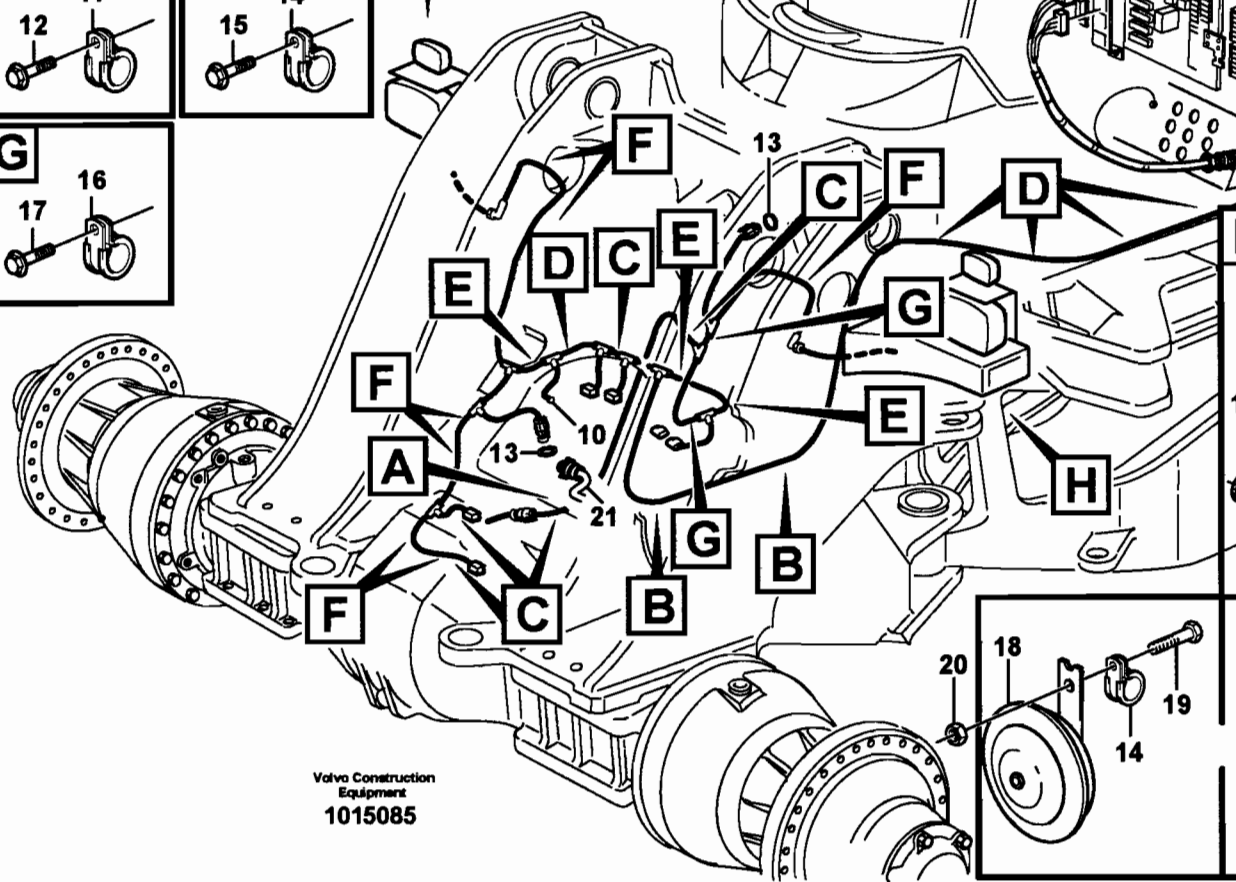
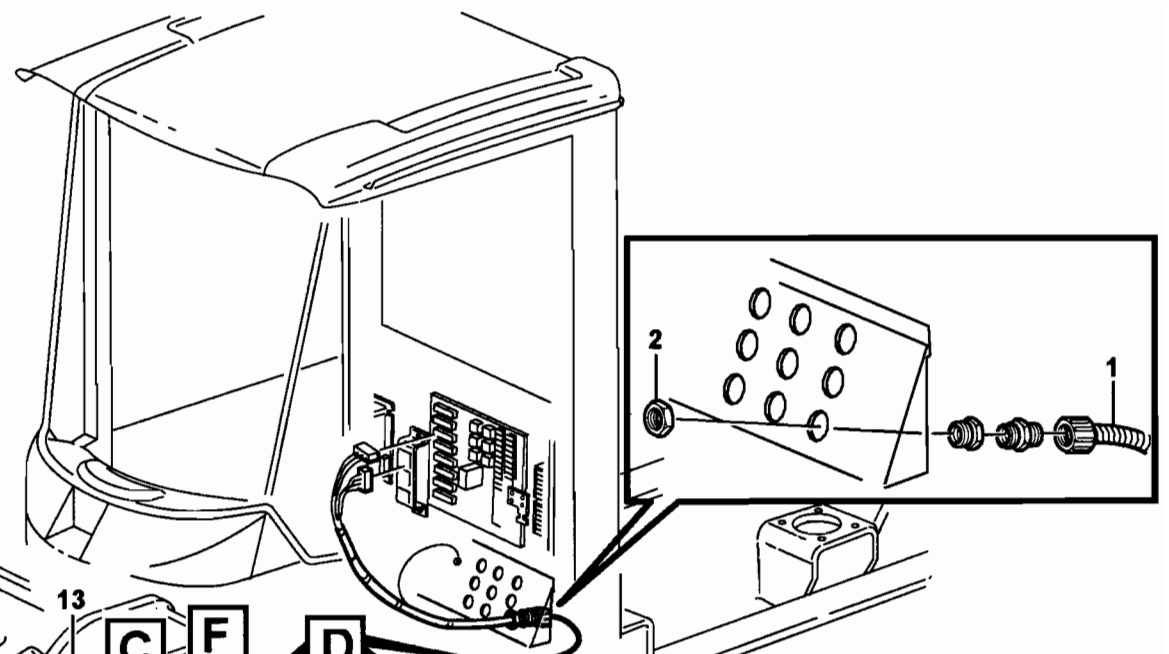
| | | | | |
|---|--|-------------------------------|----------------|------------|
| 1 | | Ledningsmatta, främre | Catalogue id | Group |
| 2 | | Manojo de cables, delantero | 20007 | 371 |
| 3 | | Kabelbaum, vorne | Illustr. No | Section |
| 4 | | Faisceau de câbles, antérieur | 1015099 | 300 |
| 5 | | Cable harness, front | Issue | Page |
| | | STD, OPEN ROPS | VOE 63D9920007 | 219 |

VOLVO

L90E



H



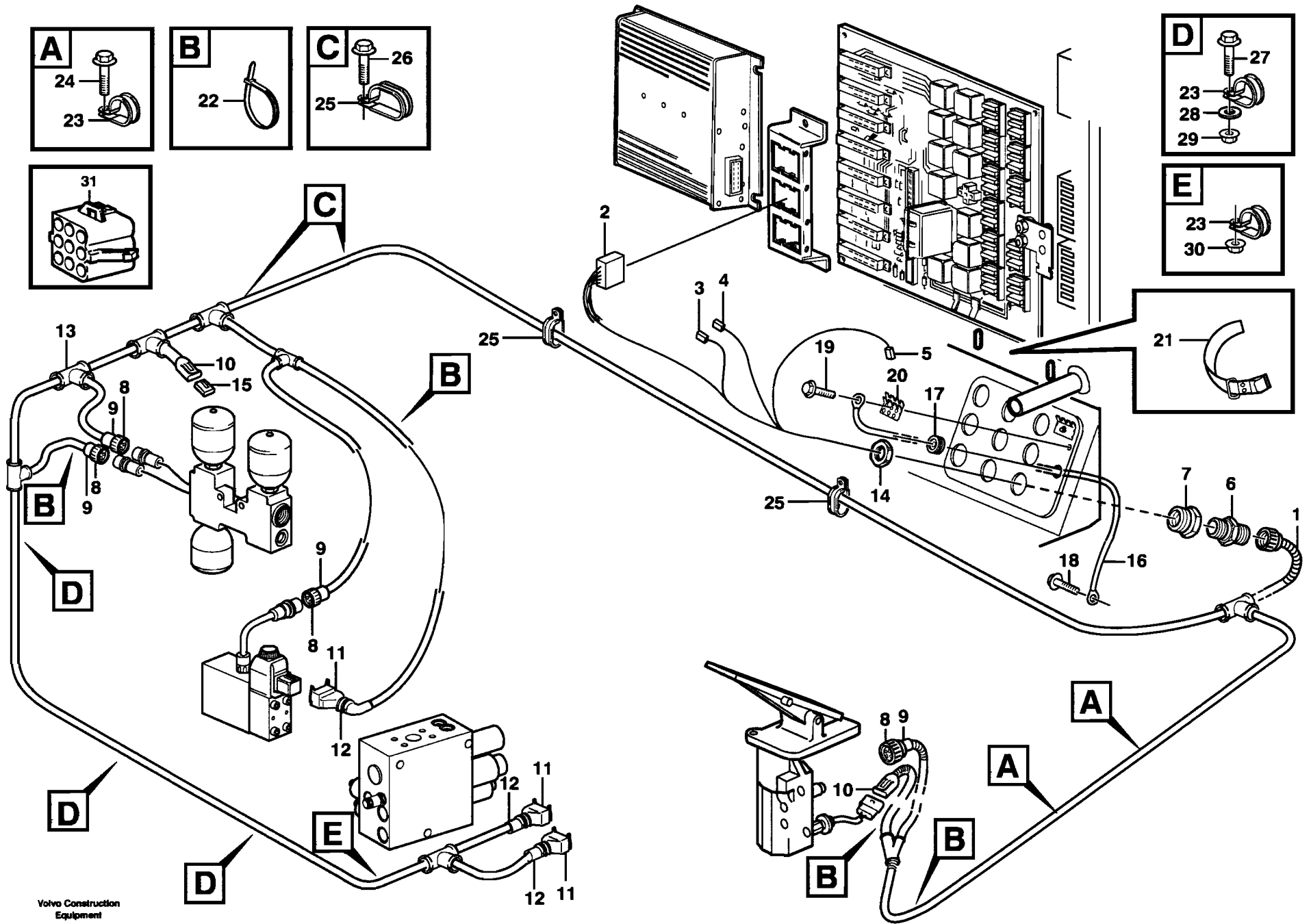
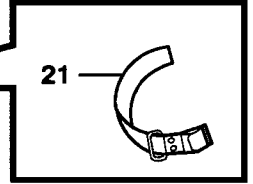
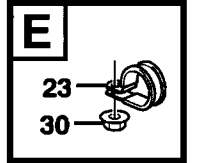
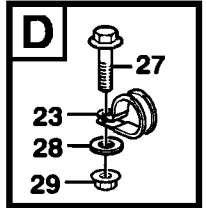
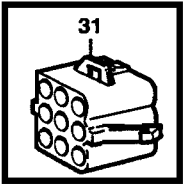
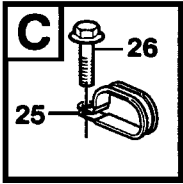
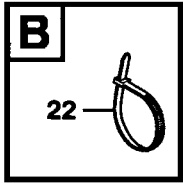
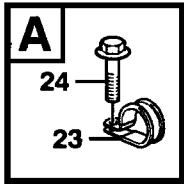
Volvo Construction
Equipment
1015085

| Fig. | Part No. | Quantity | | | P S | K I T | Description | Dénomination | Bezeichnung | Denominación | Benämning | Notes |
|------|--------------|----------|---|---|--------|----------------------|--------------------------|---------------------|-----------------------|---------------------|----------------------------------|-------|
| | | 1 | 2 | 3 | | | | | | | | |
| 1 | | 1 | | | | Wire harness..... | Faisceau cables | Kabelbaum..... | Manojo cables | Ledningsmatta..... | See group 371, Page 215 | |
| 2 | VOE 11147868 | 1 | | | | Plastic Nut..... | Ecrou Plastique..... | Plastikmutter | Tuerca Plastica | Plastmutter..... | | |
| 3 | VOE 11003221 | 5 | | | | Mounting Ring..... | Bague Montage..... | Montagering | Anillo Montaje..... | Monteringsring..... | | |
| 4 | VOE 4881440 | 10 | | | | Strip Clamp | Ruban Serrage..... | Kabelbinder | Abraz Cinta | Bandklamma..... | | |
| 5 | VOE 4785462 | 2 | | | | Clamp..... | Pince Serrage | Klemme | Abrazadera..... | Klämma..... | | |
| 6 | VOE 959207 | 4 | | | | Allen Hd Screw | Vis A 6 Pans Cr..... | Inbusschraube..... | Torn Hex Embut | Insexskruv..... | | |
| 7 | VOE 4881440 | REQ | | | | Strip Clamp | Ruban Serrage..... | Kabelbinder | Abraz Cinta | Bandklamma..... | | |
| 8 | VOE 13977600 | 5 | | | | Clamp..... | Pince Serrage | Klemme | Abrazadera..... | Klämma..... | | |
| 9 | VOE 13946173 | 3 | | | | Flange screw..... | Vis à bride | Flanschschaube..... | Torn embridado | Flänsskruv..... | | |
| 10 | VOE 13966807 | 1 | | | | Flange screw..... | Vis à bride | Flanschschaube..... | Torn embridado | Flänsskruv..... | | |
| 11 | VOE 13977599 | 3 | | | | Clamp..... | Pince Serrage | Klemme | Abrazadera..... | Klämma..... | | |
| 12 | VOE 13946173 | 3 | | | | Flange screw..... | Vis à bride | Flanschschaube..... | Torn embridado | Flänsskruv..... | | |
| 13 | VOE 3963413 | 4 | | | | Lock Ring..... | Anneau Verrouillage .. | Schlossring..... | Anillo Segurid | Låsring..... | See group 371, Page 215 | |
| 14 | VOE 13949746 | 11 | | | | Clamp..... | Pince Serrage | Klemme | Abrazadera..... | Klämma..... | | |
| 15 | VOE 13946173 | 11 | | | | Flange screw..... | Vis à bride | Flanschschaube..... | Torn embridado | Flänsskruv..... | | |
| 16 | VOE 13949747 | 2 | | | | Clamp..... | Pince Serrage | Klemme | Abrazadera..... | Klämma..... | | |
| 17 | VOE 13946173 | 2 | | | | Flange screw..... | Vis à bride | Flanschschaube..... | Torn embridado | Flänsskruv..... | | |
| 18 | VOE 11170070 | 2 | | | SS | Horn | Avertisseur sonore | Signalhorn | Avisador sonoro | Signalhorn..... | | |
| 19 | VOE 13945444 | 2 | | | | Flange screw..... | Vis à bride | Flanschschaube..... | Torn embridado | Flänsskruv..... | | |
| 20 | VOE 13945408 | 2 | | | | Nut | Ecrou..... | Mutter | Tuerca | Mutter..... | | |
| 21 | | 1 | | | | Cable harness..... | Faisceau cables | Kabelbaum..... | Manojo cables | Ledningsmatta..... | 80931 See group 371, Page 215 | |

| | | | |
|---|---|----------------|---------|
| 1 | Främre ledningsmatta med monteringsdetaljer Haz de cables, delantero, con piezas de montaje Kabelbäume, vorn, mit Anbauteilen Faisceau de câbles, avant, avec pièces de montage Front cable harness with assembly parts STD, OPEN ROPS | Catalogue id | Group |
| 2 | | 20007 | 371 |
| 3 | | Illustr. No | Section |
| 4 | | 1015085 | 350 |
| 5 | | Issue | Page |
| | | VOE 63D9920007 | 221 |

VOLVO

L90E



Volvo Construction
Equipment
1009322

| Fig. | Part No. | Quantity | | | P S | K I T | Description | Dénomination | Bezeichnung | Denominación | Benämning | Notes |
|------|----------|----------|---|---|--------|-------------|-------------|--------------|-------------|--------------|-----------|-------|
| | | 1 | 2 | 3 | | | | | | | | |

| | | | | | | | | | | | |
|---|--------------|---|--|--|--|--------------------|----------------------|----------------|--------------------|--------------------|--|
| 1 | VOE 11170623 | 1 | | | | Cable harness..... | Faisceau cables..... | Kabelbaum..... | Manojo cables..... | Ledningsmatta..... | 1245) S/N - 20640, - 66440 USA S/N - 70860 BRA |
| 1 | VOE 11170884 | 1 | | | | Cable harness..... | Faisceau cables..... | Kabelbaum..... | Manojo cables..... | Ledningsmatta..... | S/N 20641 - S/N 66441 - USA S/N 70861 - BRA |

•CONNECTED TO: •CONNECTÉ A: •ANGESCHLOSSEN: •CONECTADO A: •ANSLUTER TILL:

•Control unit, Vecu •Unite commande, V •Steuergerät, Vecu •Unidad mando, Vec •Styrenhet, Vecu
 •Earth •Terre •Erde •Tierra •Jord
 •Parking brake alarm •Alarme frein station •Feststellbramsalar •Alarma freno estaci •Parkeringsbromsal
 •Accumulator block •Bloc accus •Blockspeicher •Bloque acumulador •Ackumulatorblock
 •Parking brake block •Bloc frein parking •Feststellbremseblo •Bloque freno estaci •Parkeringsbromsbl
 •Attachm. chang., Ahc •Porte-outil, Ahc •Geräteträger, Ahc •Soporte de impl., Ahc •Redskapsbyte, Ahc
 •Central block •Bloc centrale •Zentralblock •Bloque central •Centralblock
 •Footbrake Valve •Robinet Frein A Pie •Fussbremsventil •Valvula Freno Pie •Fotbromsventil

UA
31U
UB (UBA, UBB)
SE502, SE504
SE503, MA501
UC
MA202, MA502
SE301, SE501

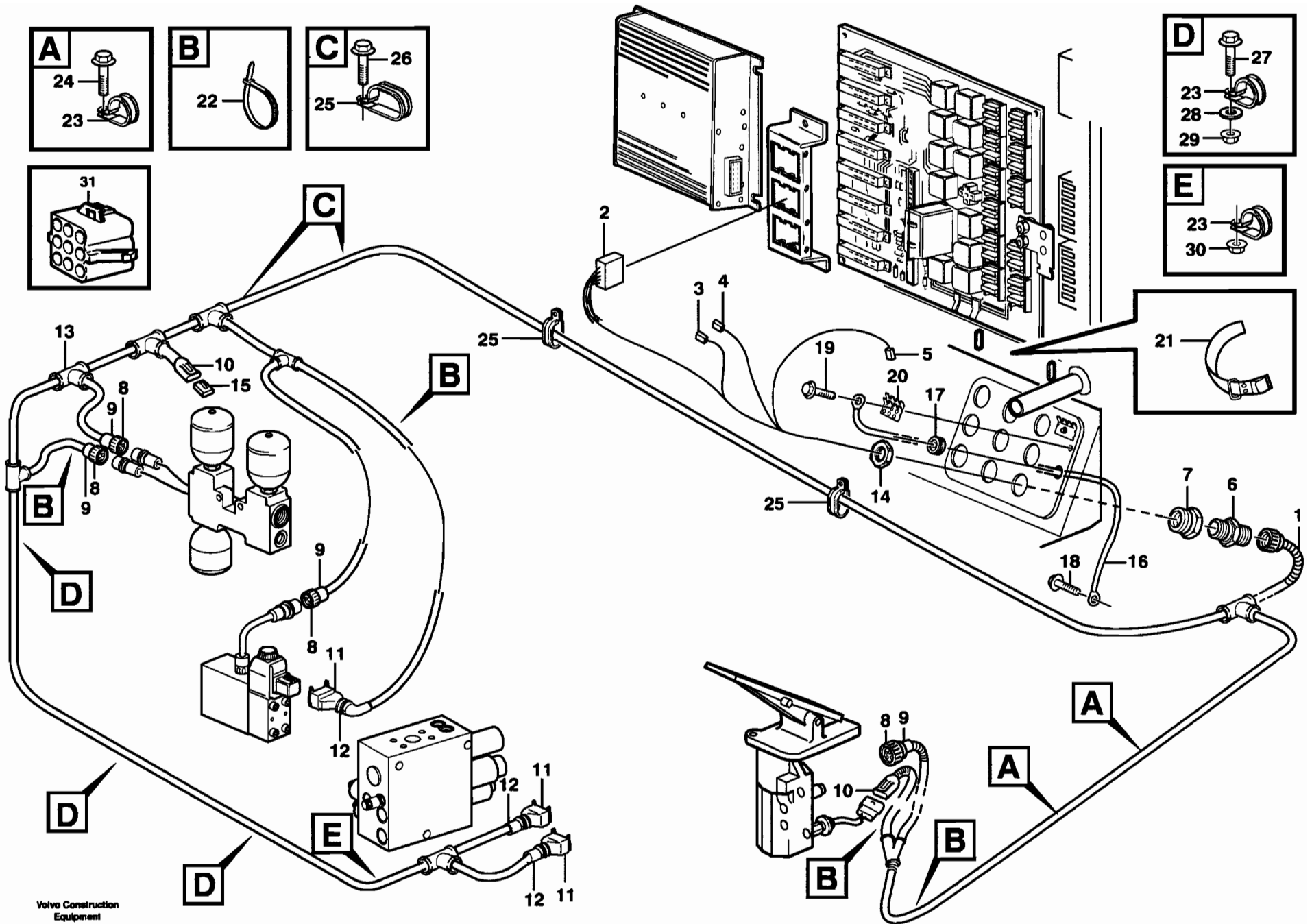
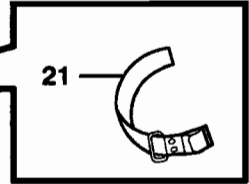
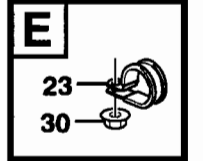
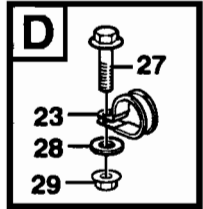
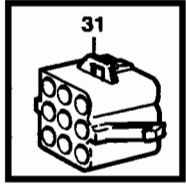
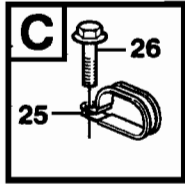
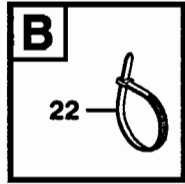
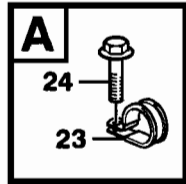
| | | | | | | | | | | | |
|----|--------------|---|--|----|--|-------------------------|-----------------------|-----------------------|-----------------------|---------------------|--|
| 2 | VOE 1096619 | 1 | | | | •Insulator..... | •Isolateur..... | •Isolator..... | •Aislador..... | •Isolator..... | |
| 3 | VOE 968388 | 1 | | | | •Insulator..... | •Isolateur..... | •Isolator..... | •Aislador..... | •Isolator..... | |
| 4 | | 1 | | NS | | •Insulator..... | •Isolateur..... | •Isolator..... | •Aislador..... | •Isolator..... | |
| 5 | VOE 13949597 | 1 | | | | •Protecting Sleeve..... | •Manchon Protection.. | •Schutzhülle..... | •Manguito Protec..... | •Skyddshylsa..... | |
| 6 | VOE 4803769 | 1 | | | | •Hose Coupling..... | •Raccor.flexible..... | •Schlauchkupplg..... | •Acoplam Manguer..... | •Slangkoppling..... | |
| 7 | VOE 11039398 | 1 | | | | •Reduction..... | •Reduction..... | •Reduzierung..... | •Reduccion..... | •Reducering..... | |
| 8 | VOE 8159013 | 4 | | | | •Insulator..... | •Isolateur..... | •Isolator..... | •Aislador..... | •Isolator..... | |
| 9 | | 4 | | NS | | •Guard..... | •Protection..... | •Schutz..... | •Protección..... | •Skydd..... | |
| 10 | VOE 1624477 | 2 | | | | •Rcpt Housing..... | •Douille Isolan..... | •Steckbuchse..... | •Aislador Mangui..... | •Hylsisolator..... | |
| 11 | VOE 976256 | 3 | | | | •Insulator..... | •Isolateur..... | •Isolator..... | •Aislador..... | •Isolator..... | |
| 12 | VOE 8142100 | 3 | | | | •Adapter..... | •Raccord Reduct..... | •Verbind Stutzen..... | •Adaptador..... | •Adapter..... | |
| 13 | VOE 11039710 | 1 | | | | •Manifold..... | •Tubulure..... | •Verzweigung..... | •Bifurcacion..... | •Förgrening..... | |

1245) GB: Including parts: Wire assembly, hose, manifold, cable terminal and isolator See Group 379. FR: Article: cable, flexible, tubulure, cosse cable y isolant. See Group 379 DE: Artikeln: Elleitung, Schlauch, Verzweigung, Kabelschuh und Isolator. See Group 379. ES: Articulo: cable, manguera, bifurcacion, terminal cable et aislador. See Group 379. SE: Artiklar: ledning, slang, förgrening, ledningssko och isolator. See Group 379

| | | | | |
|---|--|----------------------------|----------------|---------|
| 1 | | Ledningsmatta, under hytt | Catalogue id | Group |
| 2 | | Manojo de cables, cabina | 20007 | 371 |
| 3 | | Kabelbäume, Kabine | Illustr. No | Section |
| 4 | | Faisceau de câbles, cabine | 1009322 | 400 |
| 5 | | Cable harnesses, cab | Issue | Page |
| | | STD, OPEN ROPS | VOE 63D9920007 | 223 |

VOLVO

L90E



Volvo Construction
Equipment
1009322

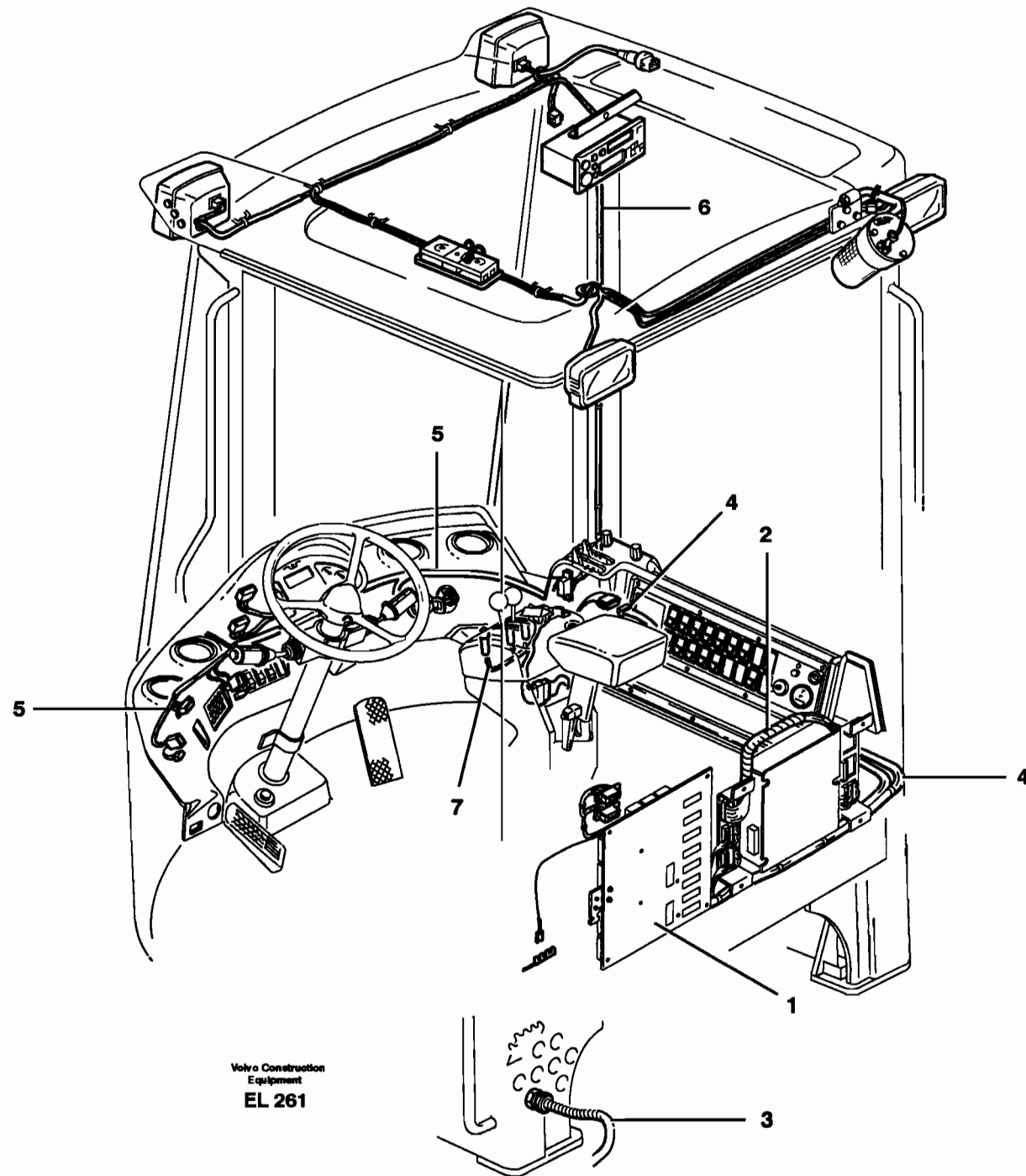
| Fig. | Part No. | Quantity | | | P S | K I T | Description | Dénomination | Bezeichnung | Denominación | Benämning | Notes |
|------|--------------|----------|---|---|--------|-----------------------|--------------------------|----------------------|-------------------------|---------------------|-----------|-------|
| | | 1 | 2 | 3 | | | | | | | | |
| 14 | VOE 11147868 | 1 | | | | Plastic Nut..... | Ecrou Plastique..... | Plastikmutter | Tuerca Plastica | Plastmutter..... | | |
| 15 | VOE 1307049 | 1 | | | | Pin Housing..... | Fiche Isolante..... | Rundstecker | Aislad Clavija..... | Stiftisolator..... | | |
| | | 2 | | | NS | Sealing Plug..... | Tampon Etanche..... | Dichtstopfen | Tapon Obturac | Tätningsslugg..... | | |
| 16 | VOE 11108113 | 1 | | | | Wire Assembly..... | Cable..... | Leitung | Cable..... | Ledning..... | 1245) | |
| | | | | | | •CONNECTED TO: | •CONNECTÉ A: | •ANGESCHLOSSEN: | •CONECTADO A: | •ANSLUTER TILL: | 31R, 31C | |
| | | | | | | ••Earth | ••Terre | ••Erde | ••Tierra | ••Jord | | |
| 17 | VOE 941264 | 1 | | | | Grommet..... | Passe fil | Durchführung | Aislador pasapanel..... | Genomföring..... | | |
| 18 | VOE 13949888 | 1 | | | | Screw..... | Vis | Schraube..... | Tornillo | Skruv..... | | |
| 19 | VOE 13948746 | 1 | | | | Screw..... | Vis | Schraube..... | Tornillo | Skruv..... | | |
| 20 | VOE 9148415 | 2 | | | | Terminal block..... | Bloc connexion..... | Steckterminal | Regleta conexion | Kopplingsplint..... | | |
| 21 | VOE 11104606 | 1 | | | | Retaining Strap | Courroi serrage | Halteriemen..... | Correa Tensora | Spännrem..... | | |
| 22 | VOE 4881440 | REQ | | | | Strip Clamp | Ruban Serrage..... | Kabelbinder | Abraz Cinta | Bandklamma..... | | |
| 23 | VOE 13949747 | 6 | | | | Clamp..... | Pince Serrage | Klemme | Abrazadera..... | Klämma..... | | |
| 24 | VOE 13946173 | 2 | | | | Flange screw..... | Vis à bride | Flanschschraube..... | Torn embridado..... | Flänsskruv..... | | |
| 25 | VOE 13977599 | 4 | | | | Clamp..... | Pince Serrage | Klemme | Abrazadera..... | Klämma..... | | |
| 26 | VOE 13946173 | 2 | | | | Flange screw..... | Vis à bride | Flanschschraube..... | Torn embridado..... | Flänsskruv..... | | |
| 27 | VOE 946671 | 3 | | | | Flange screw..... | Vis à bride | Flanschschraube..... | Torn embridado..... | Flänsskruv..... | | |
| 28 | VOE 13960141 | 3 | | | | Washer..... | Rondelle | Scheibe | Arandela | Bricka..... | | |
| 29 | VOE 13945408 | 3 | | | | Nut | Ecrou..... | Mutter | Tuerca | Mutter..... | | |
| 30 | VOE 948645 | 1 | | | | Flange Lock Nut..... | Contre écrou bride | Flanschmutter | Contratuer Embr..... | Flänslåsmutter..... | | |
| 31 | VOE 948294 | 1 | | | | Insulator..... | Isolateur | Isolator | Aislador | Isolator..... | | |

1245) GB: Including parts: Wire assembly, hose, manifold, cable terminal and isolator See Group 379. FR: Article: cable, flexible, tubulure, cosse cable y isolant. See Group 379 DE: Artikeln: Elleitung, Schlauch, Verzweigung, Kabelschuh und Isolator. See Group 379. ES: Artículo: cable, manguera, bifurcacion, terminal cable et aislador. See Group 379. SE: Artiklar: ledning, slang, förgrening, ledningssko och isolator. See Group 379

| | | | | |
|---|--|-----------------------------------|-----------------------|------------|
| 1 | | Ledningsmatta, under hytt | Catalogue id | Group |
| 2 | | Manojo de cables, cabina | 20007 | 371 |
| 3 | | Kabelbäume, Kabine | Illustr. No | Section |
| 4 | | Faisceau de câbles, cabine | 1009322 | 400 |
| 5 | | Cable harnesses, cab | Issue | Page |
| | | STD, OPEN ROPS | VOE 63D9920007 | 225 |

VOLVO

L90E



Volvo Construction
Equipment
EL 261

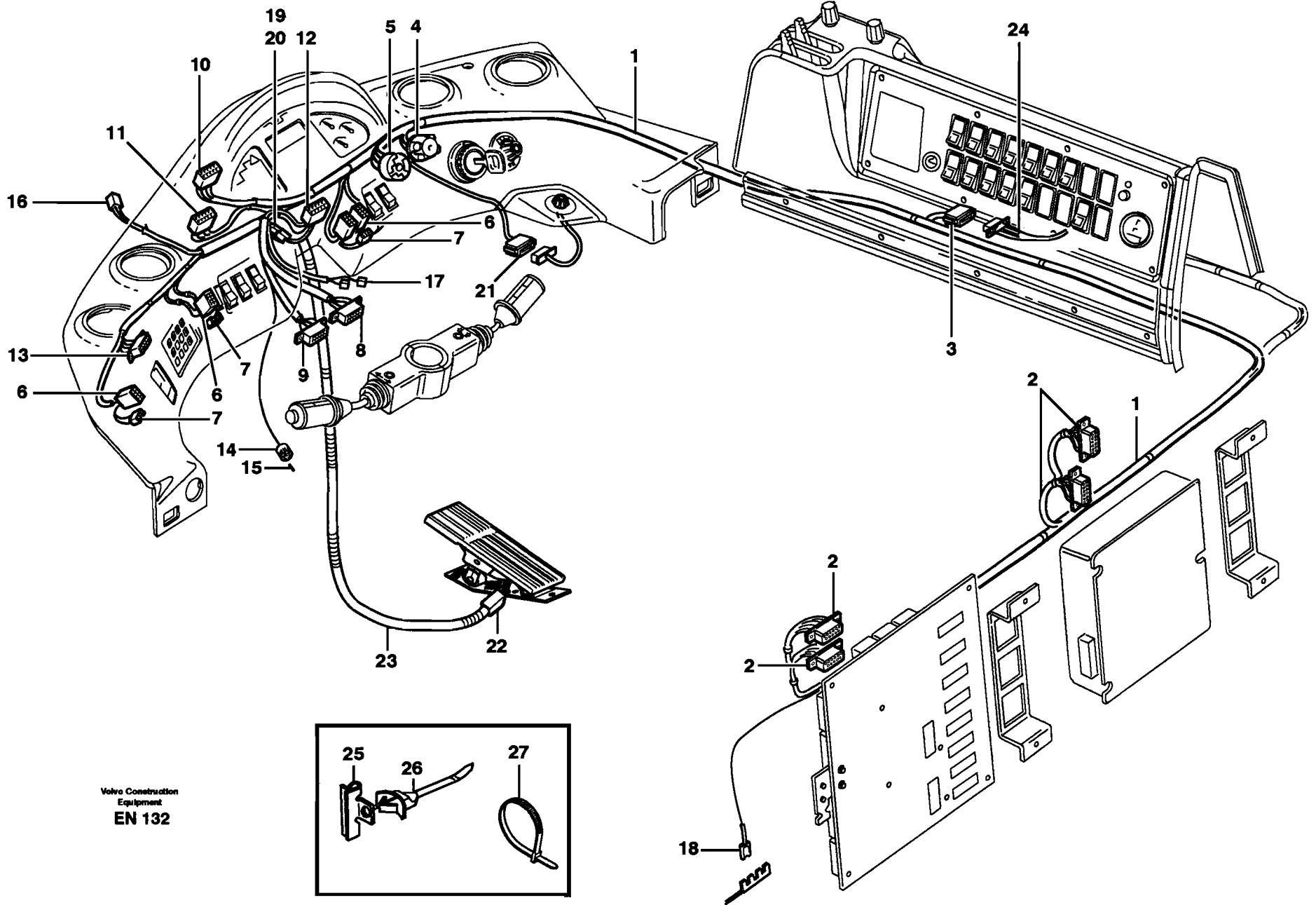
| Fig. | Part No. | Quantity | | | P S | K I T | Description | Dénomination | Bezeichnung | Denominación | Benämning | Notes |
|------|----------|----------|---|---|--------|------------------------|--------------------------|------------------------|-------------------------|-----------------------|--|-------|
| | | 1 | 2 | 3 | | | | | | | | |
| 1 | | 1 | | | | El Distr Unit | Centrale Elect | Elektrozentrale | Central Electr | Elcentral..... | See group 372, Page 295 | |
| | | 1 | | | | Circuit Board | Carte Circuit..... | Leiterrahnpl | Placa Circuito | Kretskort..... | See group 372, Page 297 | |
| | | | | | | <i>Cable Harness</i> | <i>Faisceau Cables</i> | <i>Kabelbaum</i> | <i>Manojo Cables</i> | <i>Ledningsmatta</i> | | |
| 2 | | 1 | | | | •El Distr Unit..... | •Centrale Elect | •Elektrozentrale | •Central Electr | •Elcentral..... | See group 372, Page 301 | |
| 3 | | | 1 | | | •Lower cab | •Dessous cabine | •Unten Kabine | •Inferior cabina | •Under hytt..... | See group 371, Page 223 | |
| 4 | | 1 | | | | •Control panel | •Tableau de bord..... | •Steuerpult..... | •Tablero de mando..... | •Manöverpanel..... | See group 371, Page 237 | |
| 5 | | 1 | | | | •Instr Panel | •Planche de bord..... | •Instr Tafel..... | •Panel Instrum..... | •Instrumentpanel..... | STD See group 371, Page 229 OPEN ROPS See group 371, Page 233 | |
| 6 | | 1 | | | | •Headlining..... | •Garnit.pavillon..... | •Dachhimmel | •Techo interior | •Innertak..... | See group 371, Page 241 | |
| 7 | | | 1 | | | •Cover, gear lever car | •Capot, renvoi levier... | •Haube, Schaltbock.... | •Cubierta, alojam.pal.. | •Kåpa, spakställ..... | See group 371, Page 257 | |

1294) GB: Not included when cab is ordered FR: Non compris dans la commande de la cabine DE: Bei Bestellung mit Kabine nicht enthalten ES: No se incluye en el pedido SE: Ingår ej vid beställning av hytt

| | | | | |
|---|-----------------------|---|-----------------------|------------|
| 1 | STD, OPEN ROPS | Ledningsmattor, hytt Manojos de cables, cabina Kabelbaum, Kabine Cables ruban, cabine Cable harnesses, cab | Catalogue id | Group |
| 2 | 1294) | | 20007 | 371 |
| 3 | | | Illustr. No | Section |
| 4 | | | EL261 | 450 |
| 5 | | | Issue | Page |
| | | | VOE 63D9920007 | 227 |

VOLVO

L90E

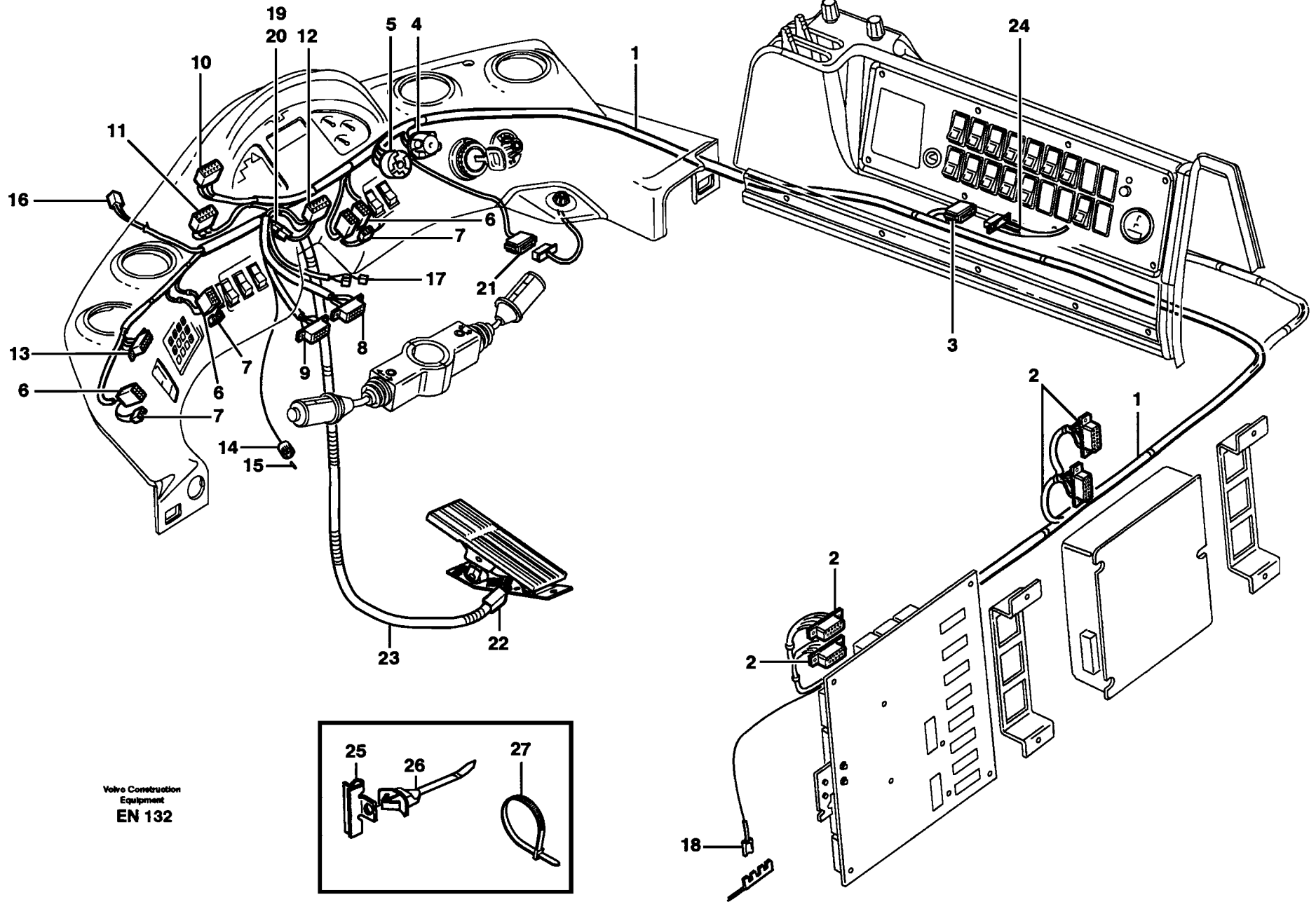


Volvo Construction
 Equipment
EN 132

| Fig. | Part No. | Quantity | | | P S | K I T | Description | Dénomination | Bezeichnung | Denominación | Benämning | Notes |
|------|---------------------|----------|---|---|--------|-------------|------------------------|-----------------------|----------------------|-----------------------|---------------------|------------------|
| | | 1 | 2 | 3 | | | | | | | | |
| 1 | VOE 11170682 | 1 | | | | | Cable harness..... | Faisceau cables..... | Kabelbaum..... | Manojo cables..... | Ledningsmatta..... | 1245) |
| | | | | | | | •CONNECTED TO: | •CONNECTÉ A: | •ANGESCHLOSSEN: | •CONECTADO A: | •ANSLUTER TILL: | |
| | | | | | | | •Ptd Circuit Bd | •Carte Circuit | •Leiterbahnpl | •Placa Circuito | •Kretskort | DA, DB |
| | | | | | | | •Wire harness | •Faisceau cables | •Kabelbaum | •Manojo cables | •Ledningsmatta | D, SD, SH |
| | | | | | | | •Earth | •Terre | •Erde | •Tierra | •Jord | 31D |
| | | | | | | | •Mode selector | •Selecteur de progra | •Programmwähler | •Selectora de progra | •Programväljare | SW412 |
| | | | | | | | •Starter switch | •Interru. ocontact | •Startschloss | •Cerradur arranq. | •Startlås | SW101 |
| | | | | | | | •Hand throttle control | •Accélérateur a main | •Handgasregler | •Mando manual acel | •Handgasreglage | R205 |
| | | | | | | | •Transmission disen | •Débrayage transm. | •Getriebetrennung | •Desacopl. transm. | •Transmission.urkop | SW411 |
| | | | | | | | •Throttle control | •Comm. accelerateu | •Gasregler | •Mando acelerado | •Gasreglage | SE214 |
| | | | | | | | •Pre heater | •Prechauffeur | •Vorwärmer | •Precalentador | •Fövärmning | SW201 |
| | | | | | | | •Display panel | •Panneau afficheur | •Informationsdisplay | •Panel indicador | •Informationspanel | IECU, P1, P2, P3 |
| | | | | | | | •Flasher | •Clignotant | •Blinker | •Intermitentes | •Blinker | WA |
| | | | | | | | •Gear selector | •Selecteur vitesse | •Wählhebel | •Selector velocidad | •Växelväljare | GA |
| | | | | | | | •Buzzer | •Repetiteur aucostiq | •Summer | •Zumbador | •Summer | SA802 |
| | | | | | | | •Diff. lock | •Blocage différentiel | •Ausgleichsperre | •Bloqueo diferencial | •Diffspärr | SW414 |
| | | | | | | | •Windshield Wiper | •Lave glace | •Scheibenwischer | •Limpiaparabfisas | •Vindrutetorkare | MO801 |
| | | | | | | | •Hazard | •Feu detresse averti | •Warnblinkleuchte | •Luz interm. adverten | •Varningsblinker | SW306 |
| | | | | | | | •Attachm. chang., Ah | •Porte-outil, Ahc | •Geräteträger, Ahc | •Soporte de impl., Ah | •Redskapsbyte, Ahc | SW910 |
| | | | | | | | •Attachment locking | •Verrouillage des ac | •Geräteschnellkuppl | •Cierre de implemen | •Redskapslösning | SW904 |
| | | | | | | | •Keybord | •Clavier | •Tastatur | •Teclado | •Tangentbord | SW807 |
| | | | | | | | •Parking brake | •Frein parking | •Feststellbremse | •Freio estacion | •Parkeringsbroms | SW501 |
| 2 | VOE 1096619 | 4 | | | | | •Insulator..... | •Isolateur..... | •Isolator..... | •Aislador..... | •Isolator..... | |
| 3 | VOE 1096615 | 1 | | | | | •Insulator..... | •Isolateur..... | •Isolator..... | •Aislador..... | •Isolator..... | |
| 4 | VOE 1307600 | 1 | | | | | •Insulator..... | •Isolateur..... | •Isolator..... | •Aislador..... | •Isolator..... | |
| 5 | VOE 1605668 | 1 | | | | | •Rcpt Housing..... | •Douille Isolan..... | •Steckbuchse..... | •Aislador Mangui..... | •Hylsisolator..... | |
| 6 | VOE 4803454 | 6 | | | | | •Rcpt Housing..... | •Douille Isolan..... | •Steckbuchse..... | •Aislador Mangui..... | •Hylsisolator..... | |

1245) **GB:** Including parts: Wire assembly, hose, manifold, cable terminal and isulator See Group 379. **FR:** Article: cable, flexible, tubulure, cosse cable y isolant. See Group 379 **DE:** Artikeln: El leitung, Schlauch, Verzweigung, Kabelschuh und Isolator. See Group 379. **ES:** Articulo: cable, manguera, bifurcacion, terminal cable et aislador. See Group 379. **SE:** Artiklar: ledning, slang, förgrening, ledningssko och isolator. See Group 379

| | | | | |
|---|--|---|-----------------------|------------|
| 1 | | Ledningsmatta, instrumentpanel | Catalogue id | Group |
| 2 | | Manojo de cables, panel instrumentos | 20007 | 371 |
| 3 | | Kabelbäume, Instrumententafel | Illustr. No | Section |
| 4 | | Faisceau de câbles, planche bord | EN132 | 500 |
| 5 | | Cable harnesses, instrument panel | Issue | Page |
| | | STD | VOE 63D9920007 | 229 |



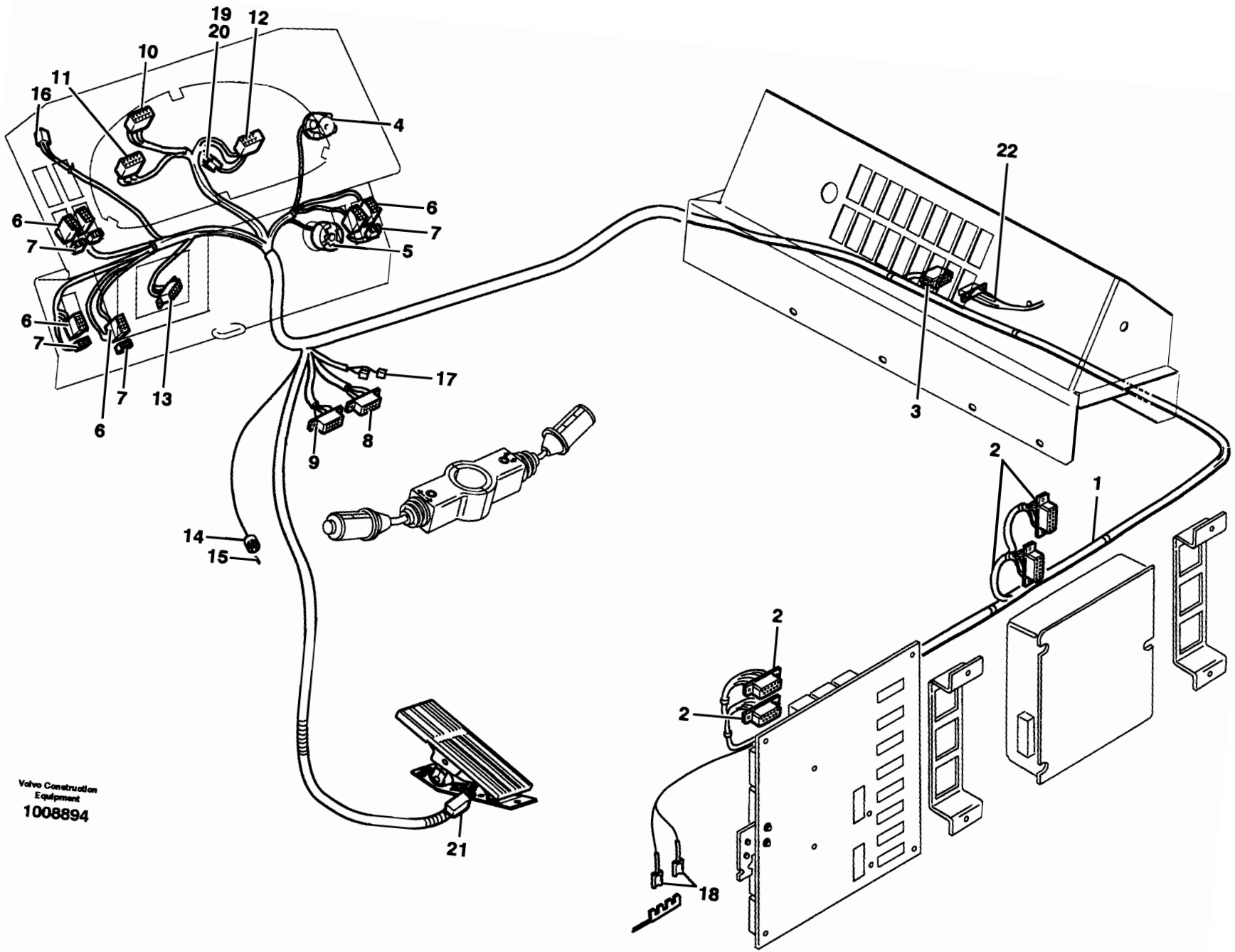
Volvo Construction
 Equipment
EN 132

| Fig. | Part No. | Quantity | | | P S | K I T | Description | Dénomination | Bezeichnung | Denominación | Benämning | Notes |
|------|------------------|----------|---|---|--------|--------------------------|-------------------------|----------------------|--------------------------|----------------------|-------------------------|-------|
| | | 1 | 2 | 3 | | | | | | | | |
| 7 | VOE 4803532 | 6 | | | | •Rcpt Housing | •Douille Isolan | •Steckbuchse | •Aislador Mangui | •Hylsisolator..... | | |
| 8 | | 1 | | | NS | •Timerhousing | •Isolant Timer | •Timerisolator | •Aislador Timer | •Timerisolator..... | | |
| 9 | | 1 | | | NS | •Timer housing | •Isolant Timer | •Timerisolator | •Aislador Timer | •Timerisolator..... | | |
| 10 | | 1 | | | NS | •Receptacle housing .. | •Douille isolante | •Steckbuchse | •Aislador manguito | •Hylsisolator..... | | |
| 11 | | 1 | | | NS | •Receptacle housing .. | •Douille isolante | •Steckbuchse | •Aislador manguito | •Hylsisolator..... | | |
| 12 | | 1 | | | NS | •Receptacle housing .. | •Douille isolante | •Steckbuchse | •Aislador manguito | •Hylsisolator..... | | |
| 13 | VOE 11039685 | 1 | | | | •Insulator | •Isolateur | •Isolator | •Aislador | •Isolator..... | | |
| 14 | VOE 949005 | 1 | | | | •Rcpt Housing | •Douille Isolan | •Steckbuchse | •Aislador Mangui | •Hylsisolator..... | | |
| 15 | VOE 11000257 | 2 | | | | •Plug | •Bouchon..... | •Stopfen | •Tapon | •Plugg..... | | |
| 16 | VOE 948294 | 1 | | | | •Insulator | •Isolateur | •Isolator | •Aislador | •Isolator..... | | |
| 17 | VOE 13947848 | 2 | | | | •Insulator | •Isolateur | •Isolator | •Aislador | •Isolator..... | | |
| 18 | VOE 13949597 | 2 | | | | •Protecting Sleeve | •Manchon Protection.. | •Schutzhülle | •Manguito Protec..... | •Skyddshylsa..... | | |
| 19 | VOE 13948996 | 1 | | | | •Insulator | •Isolateur | •Isolator | •Aislador | •Isolator..... | | |
| 20 | VOE 11041349 | 1 | | | | •Resistor Unit | •Unit.resistance | •Widerst Körper..... | •Unidad Resist..... | •Motståndsenhet..... | | |
| 21 | VOE 1096618 | 1 | | | | •Rcpt Housing | •Douille Isolan | •Steckbuchse | •Aislador Mangui | •Hylsisolator..... | | |
| 22 | VOE 11115697 | 1 | | | | •Insulator | •Isolateur | •Isolator | •Aislador | •Isolator..... | | |
| 23 | VOE 11039491 REQ | | | | | •Hose | •Durit | •Schlauch | •Tubo flexible..... | •Slang..... | | |
| 24 | | | | | | Wire harness..... | Faisceau cables | Kabelbaum | Manojo cables | Ledningsmatta..... | See group 371, Page 237 | |
| 25 | VOE 11039688 | 7 | | | | Clip..... | Clip..... | Klemme | Clip | Clips..... | | |
| 26 | VOE 11039689 | 7 | | | | Strip Clamp | Ruban Serrage..... | Kabelbinder | Abraz Cinta | Bandklamma..... | | |
| 27 | VOE 4881440 | 4 | | | | Strip Clamp | Ruban Serrage..... | Kabelbinder | Abraz Cinta | Bandklamma..... | | |

| | | | | |
|---|--|--------------------------------------|----------------|---------|
| 1 | | Ledningsmatta, instrumentpanel | Catalogue id | Group |
| 2 | | Manojo de cables, panel instrumentos | 20007 | 371 |
| 3 | | Kabelbäume, Instrumententafel | Illustr. No | Section |
| 4 | | Faisceau de câbles, planche bord | EN132 | 500 |
| 5 | | Cable harnesses, instrument panel | Issue | Page |
| | | STD | VOE 63D9920007 | 231 |

VOLVO

L90E

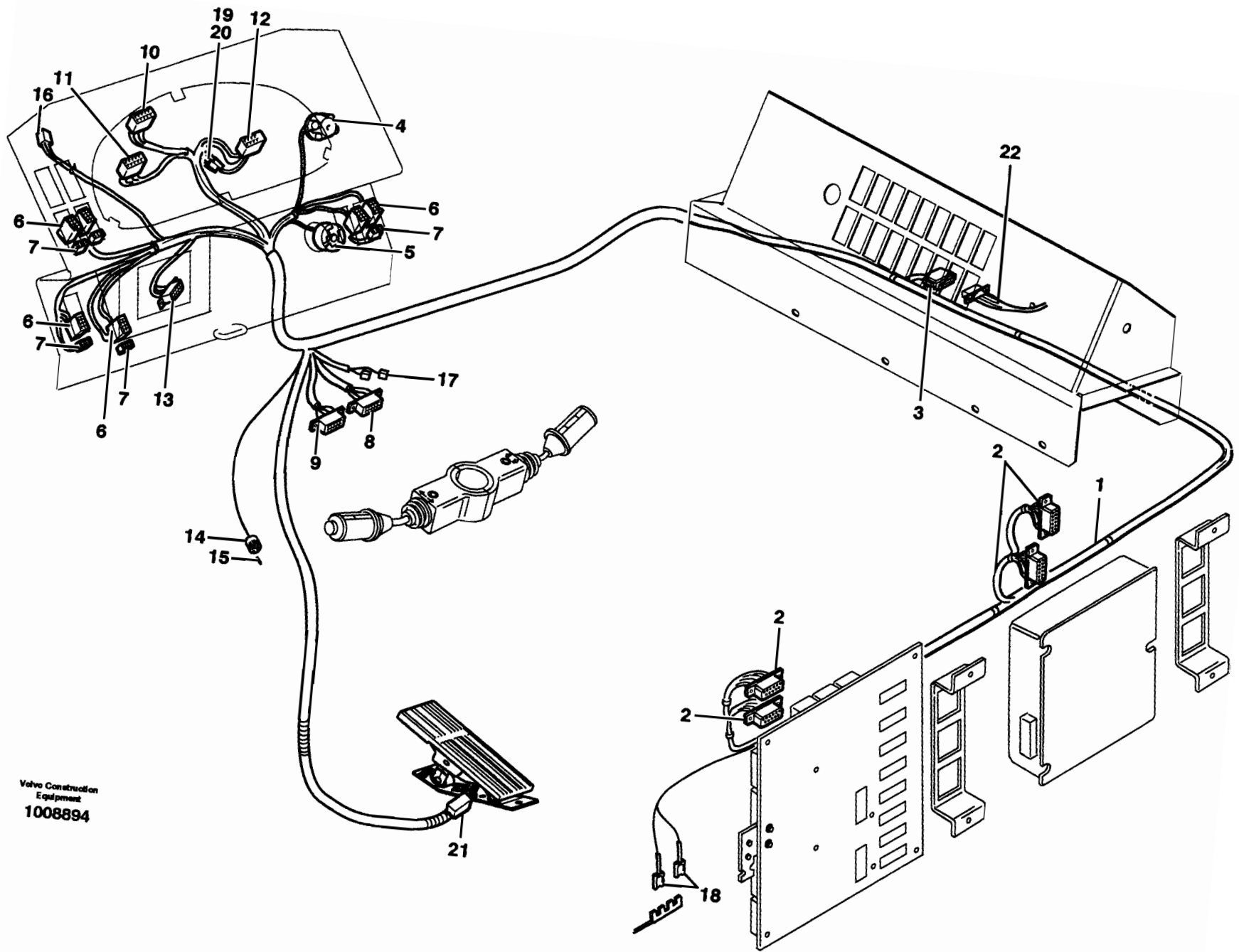


Volvo Construction
Equipment
1008894

| Fig. | Part No. | Quantity | | | P | K | S | T | Description | Dénomination | Bezeichnung | Denominación | Benämning | Notes |
|------|--------------|----------|---|---|---|---|---|----------------------|-----------------------|----------------------|-----------------------|---------------------|------------------|-------|
| | | 1 | 2 | 3 | | | | | | | | | | |
| 1 | VOE 11170992 | 1 | | | | | | Cable harness..... | Faisceau cables..... | Kabelbaum..... | Manojo cables..... | Ledningsmatta..... | 1245) | |
| | | | | | | | | •CONNECTED TO: | •CONNECTÉ A: | •ANGESCHLOSSEN: | •CONECTADO A: | •ANSLUTER TILL: | | |
| | | | | | | | | •Ptd Circuit Bd | •Carte Circuit | •Leiterbahnpl | •Placa Circuito | •Kretskort | DA, DB | |
| | | | | | | | | •Wire harness | •Faisceau cables | •Kabelbaum | •Manojo cables | •Ledningsmatta | D, SD, SH | |
| | | | | | | | | •Earth | •Terre | •Erde | •Tierra | •Jord | 31D, 31I | |
| | | | | | | | | •Mode selector | •Selecteur de progra | •Programmwähler | •Selector de progra | •Programväljare | SW412 | |
| | | | | | | | | •Starter switch | •Interru. ocontact | •Startschloss | •Cerradur arranq. | •Startlås | SW101 | |
| | | | | | | | | •Transmission disen | •Débrayage transm. | •Getriebetrennung | •Desacopl. transm. | •Transmission.urkop | SW411, SW417 | |
| | | | | | | | | •Throttle control | •Comm. accelerateu | •Gasregler | •Mando acelerado | •Gasreglage | SE214 | |
| | | | | | | | | •Pre heater | •Prechauffeur | •Vorwärmer | •Precalentador | •Fövärmning | SW201 | |
| | | | | | | | | •Display panel | •Panneau afficheur | •Informationsdisplay | •Panel indicador | •Informationspanel | IECU, P1, P2, P3 | |
| | | | | | | | | •Flasher | •Clignotant | •Blinker | •Intermitentes | •Blinker | WA | |
| | | | | | | | | •Gear selector | •Selecteur vitesse | •Wählhebel | •Selector velocidad | •Växelväljare | GA | |
| | | | | | | | | •Buzzer | •Repetiteur aucostiq | •Summer | •Zumbador | •Summer | SA802 | |
| | | | | | | | | •Diff. lock | •Blocage différentiel | •Ausgleichsperre | •Bloqueo diferencial | •Diffspärr | SW414 | |
| | | | | | | | | •Windshield Wiper | •Lave glace | •Scheibenwischer | •Limpiaparabfisas | •Vindrutetorkare | MO801 | |
| | | | | | | | | •Hazard | •Feu detresse averti | •Warnblinkleuchte | •Luz interm. adverten | •Varningsblinker | SW306 | |
| | | | | | | | | •Attachm. chang., Ah | •Porte-outil, Ahc | •Geräteträger, Ahc | •Soporte de impl., Ah | •Redskapsbyte, Ahc | SW910 | |
| | | | | | | | | •Attachment locking | •Verrouillage des ac | •Geräteschnellkuppl | •Cierre de implemen | •Redskapslösning | SW904 | |
| | | | | | | | | •Keyboard | •Clavier | •Tastatur | •Teclado | •Tangentbord | SW807 | |
| | | | | | | | | •Parking brake | •Frein parking | •Feststellbremse | •Freio estacion | •Parkeringsbroms | SW501 | |
| 2 | VOE 1096619 | 4 | | | | | | •Insulator..... | •Isolateur..... | •Isolator..... | •Aislador..... | •Isolator..... | | |
| 3 | VOE 1096615 | 1 | | | | | | •Insulator..... | •Isolateur..... | •Isolator..... | •Aislador..... | •Isolator..... | | |
| 4 | VOE 1307600 | 1 | | | | | | •Insulator..... | •Isolateur..... | •Isolator..... | •Aislador..... | •Isolator..... | | |
| 5 | VOE 1605668 | 1 | | | | | | •Rcpt Housing..... | •Douille Isolan..... | •Steckbuchse..... | •Aislador Mangui..... | •Hylsisolator..... | | |
| 6 | VOE 4803454 | 6 | | | | | | •Rcpt Housing..... | •Douille Isolan..... | •Steckbuchse..... | •Aislador Mangui..... | •Hylsisolator..... | | |
| 7 | VOE 4803532 | 6 | | | | | | •Rcpt Housing..... | •Douille Isolan..... | •Steckbuchse..... | •Aislador Mangui..... | •Hylsisolator..... | | |

1245) GB: Including parts: Wire assembly, hose, manifold, cable terminal and isolator See Group 379. FR: Article: cable, flexible, tubulure, cosse cable y isolant. See Group 379 DE: Artikeln: El leitung, Schlauch, Verzweigung, Kabelschuh und Isolator. See Group 379. ES: Articulo: cable, manguera, bifurcacion, terminal cable et aislador. See Group 379. SE: Artiklar: ledning, slang, förgrening, ledningssko och isolator. See Group 379

| | | | | |
|---|--|--------------------------------------|----------------|---------|
| 1 | | Ledningsmatta, instrumentpanel | Catalogue id | Group |
| 2 | | Manojo de cables, panel instrumentos | 20007 | 371 |
| 3 | | Kabelbäume, Instrumententafel | Illustr. No | Section |
| 4 | | Faisceau de câbles, planche bord | 1008894 | 525 |
| 5 | | Cable harnesses, instrument panel | Issue | Page |
| | | OPEN ROPS | VOE 63D9920007 | 233 |



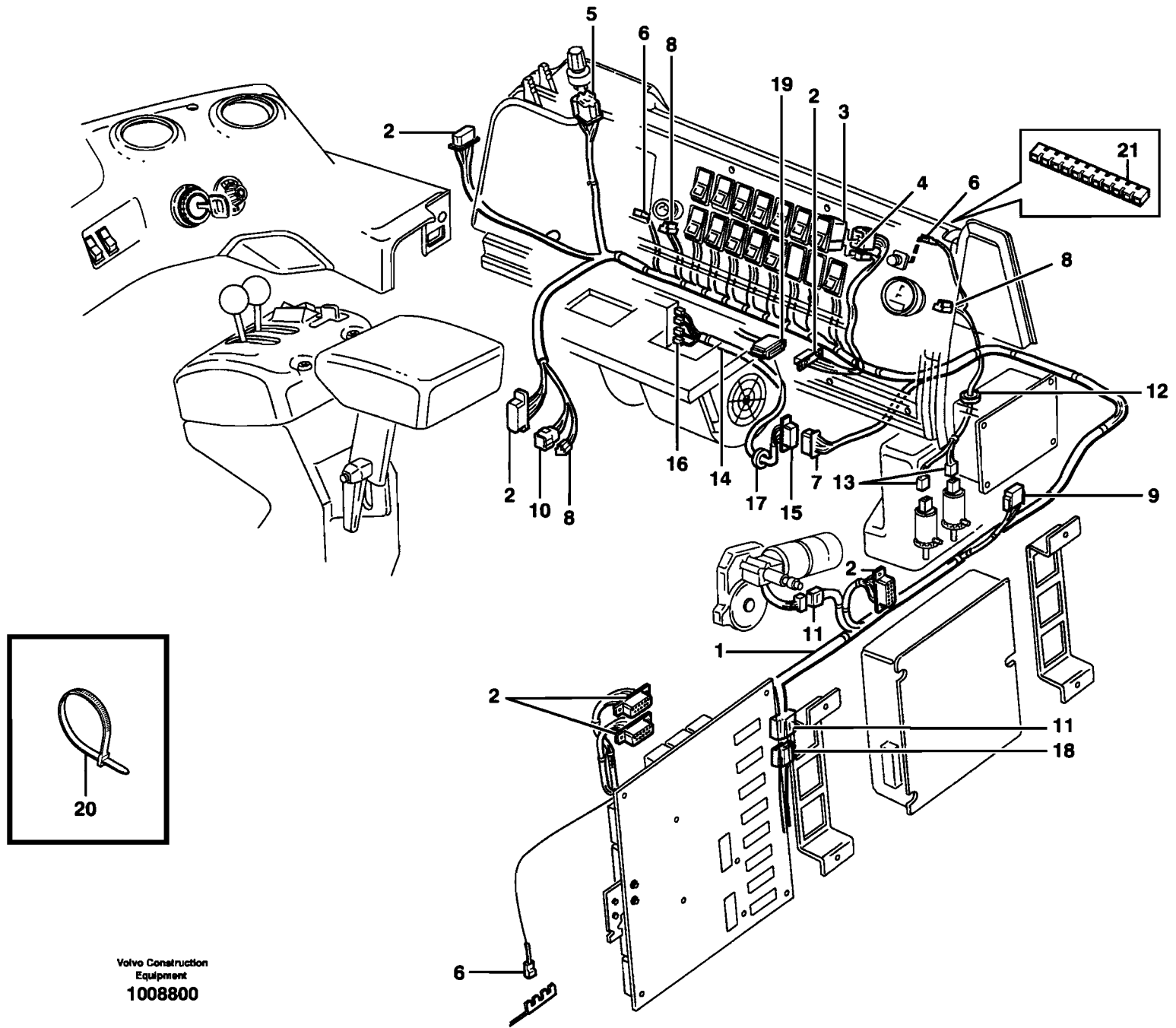
Volvo Construction
Equipment
1008894

| Fig. | Part No. | Quantity | | | P S | K I T | Description | Dénomination | Bezeichnung | Denominación | Benämning | Notes |
|------|--------------|----------|---|---|--------|--------------------------|-------------------------|-----------------------|--------------------------|----------------------|-------------------------|-------|
| | | 1 | 2 | 3 | | | | | | | | |
| 8 | | 1 | | | NS | •Timerhousing | •Isolant Timer | •Timerisolator | •Aislador Timer | •Timerisolator..... | | |
| 9 | | 1 | | | NS | •Timer housing | •Isolant Timer | •Timerisolator | •Aislador Timer | •Timerisolator..... | | |
| 10 | | 1 | | | NS | •Receptacle housing .. | •Douille isolante | •Steckbuchse | •Aislador manguito | •Hylisolator..... | | |
| 11 | | 1 | | | NS | •Receptacle housing .. | •Douille isolante | •Steckbuchse | •Aislador manguito | •Hylisolator..... | | |
| 12 | | 1 | | | NS | •Receptacle housing .. | •Douille isolante | •Steckbuchse | •Aislador manguito | •Hylisolator..... | | |
| 13 | VOE 11039685 | 1 | | | | •Insulator | •Isolateur | •Isolator | •Aislador | •Isolator..... | | |
| 14 | VOE 949005 | 1 | | | | •Rcpt Housing | •Douille Isolan. | •Steckbuchse | •Aislador Mangui | •Hylisolator..... | | |
| 15 | VOE 11000257 | 2 | | | | •Plug | •Bouchon..... | •Stopfen | •Tapon..... | •Plugg..... | | |
| 16 | VOE 948294 | 1 | | | | •Insulator | •Isolateur | •Isolator | •Aislador | •Isolator..... | | |
| 17 | VOE 13947848 | 2 | | | | •Insulator | •Isolateur | •Isolator | •Aislador | •Isolator..... | | |
| 18 | VOE 13949597 | 2 | | | | •Protecting Sleeve | •Manchon Protection.. | •Schutzhülle | •Manguito Protec..... | •Skyddshylsa..... | | |
| 19 | VOE 13948996 | 1 | | | | •Insulator | •Isolateur | •Isolator | •Aislador | •Isolator..... | | |
| 20 | VOE 11041349 | 1 | | | | •Resistor Unit | •Unit.resistance | •Widerst Körper | •Unidad Resist..... | •Motståndsenhet..... | | |
| 21 | VOE 11115697 | 1 | | | | •Insulator | •Isolateur | •Isolator | •Aislador | •Isolator..... | | |
| 22 | | | | | | Wire harness..... | Faisceau cables | Kabelbaum | Manojo cables | Ledningsmatta..... | See group 371, Page 237 | |

| | | | | |
|---|--|---|----------------|------------|
| 1 | | Ledningsmatta, instrumentpanel Manojo de cables, panel instrumentos Kabelbäume, Instrumententafel Faisceau de câbles, planche bord Cable harnesses, instrument panel OPEN ROPS | Catalogue id | Group |
| 2 | | | 20007 | 371 |
| 3 | | | Illustr. No | Section |
| 4 | | | 1008894 | 525 |
| 5 | | | Issue | Page |
| | | VOE 63D9920007 | 235 | |

VOLVO

L90E

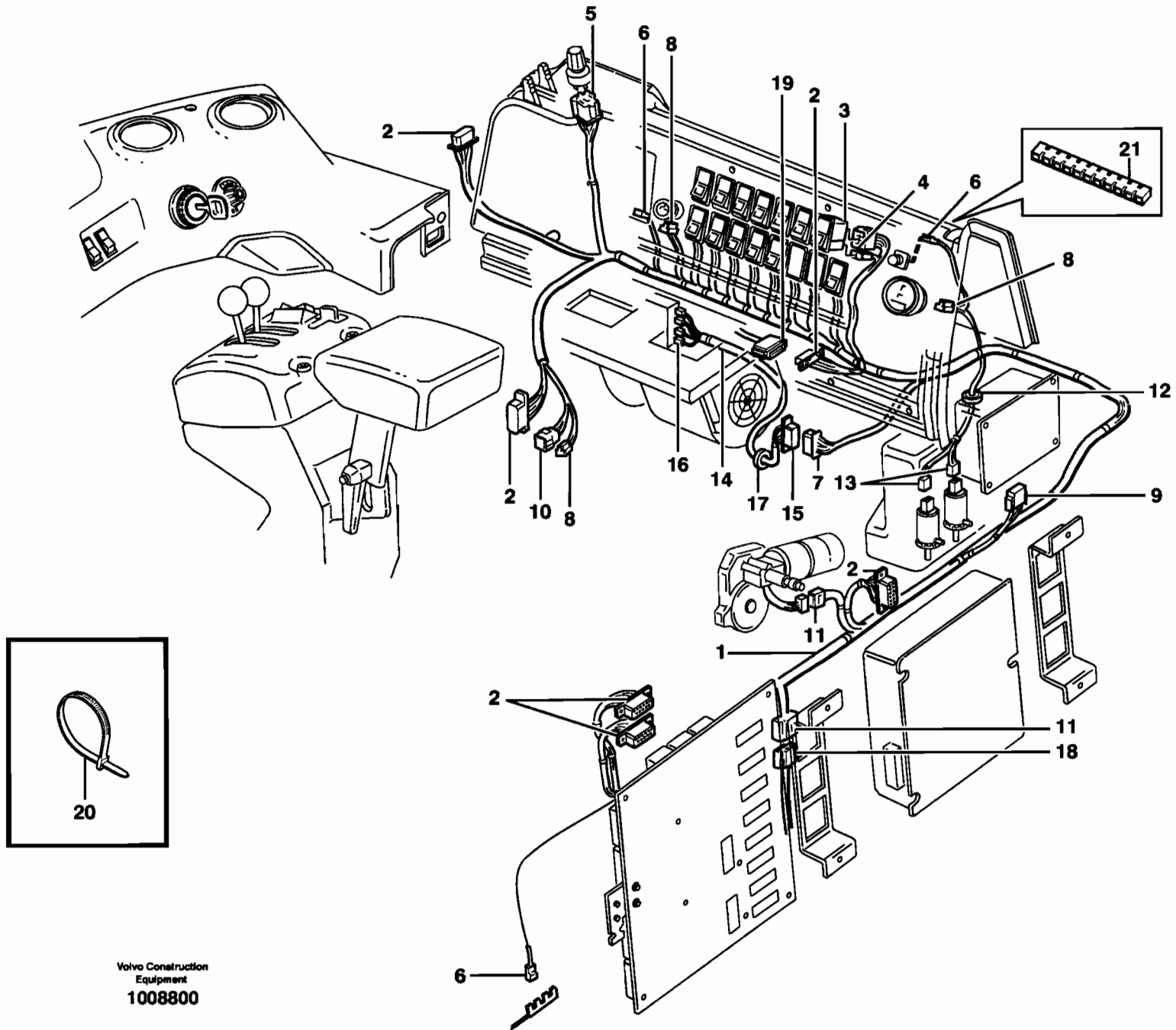


Volvo Construction
 Equipment
 1008800

| Fig. | Part No. | Quantity | | | P S | K I T | Description | Dénomination | Bezeichnung | Denominación | Benämning | Notes |
|------|--------------|----------|----|---|--------|-------------------------|-----------------------|---------------------|-----------------------|---------------------|-------------------------|-------|
| | | 1 | 2 | 3 | | | | | | | | |
| 1 | VOE 11171081 | 1 | 1 | | | Cable harness..... | Faisceau cables..... | Kabelbaum..... | Manojo cables..... | Ledningsmatta..... | 1245) | |
| | | | | | | •CONNECTED TO: | •CONNECTÉ A: | •ANGESCHLOSSEN: | •CONECTADO A: | •ANSLUTER TILL: | | |
| | | | | | | •Ptd Circuit Bd | •Carte Circuit | •Leiterbahnpl | •Placa Circuito | •Kretskort | SA, SB | |
| | | | | | | •Cable harness | •Faisceau cables | •Kabelbaum | •Manojo cables | •Ledningsmatta | SC | |
| | | | | | | •Earth | •Terre | •Erde | •Tierra | •Jord | See group 372, Page 301 | |
| | | | | | | •Rear window viper | •Essuie-glace Ar | •Heckscheibenwisch | •Limpiaparabrisas p | •Bakrutetorkare | 31S | |
| | | | | | | •Voltage converter | •Transformateur | •Transformator | •Transformador | •Spänningsomvandl | MO803 | |
| | | | | | | •Hour counter | •Copteur heures | •Betriebsstundenzäh | •Contador madera | •Timräknare | CU801 | |
| | | | | | | •Rheostat | •Rheostat | •Rheostat | •Reostato | •Reostat | IM201 | |
| | | | | | | •Washer motor | •Moteur lave-glace | •Spülpumpenmotor | •Motor rociador | •Spolarmotor | R301 | |
| | | | | | | •Fan, cab | •Ventilateur,cabine | •Gebläse, Fahrerhau | •Ventilador,cabina | •Fläkt, hytt | MO802, MO804 | |
| | | | | | | •Switch | •Interrupteur bas. | •Schalter | •Interruptor bas. | •Strömställare | SG | |
| | | | | | | •Fan switch | •Commu. ventilateur | •Gebläseschalter | •Conmutador ventila | •Fläktomkopplare | SW301 - SW925 | |
| | | | | | | •Servo panel | •Panneau | •Paneel | •Panel | •Servopanel | SW805 | |
| | | | | | | •Air-conditioning | •Climatisation | •Klimaanlage | •Acondicion aire | •Luftkonditionering | SE, SF, SJ | |
| | | | | | | •Lift single act./ Bss | •Fonction levage / Bs | •Hebefunktion / Bss | •Elevacion / Bss | •Enkelv.lyff./ Bss | AC | |
| | | | | | | •Switch | •Interrupteur bas. | •Schalter | •Interruptor bas. | •Strömställare | SW925 | |
| | | | | | | •Roof | •Toit | •Dach | •Techo | •Tak | SW301 - SW925 | |
| | | | | | | •Thermostat | •Thermostat | •Thermostat | •Termostato | •Termostat | ST | |
| | | | | | | •Cig lighter | •Allume-cigares | •Zig anzunder | •Encendedor | •Cigaretändare | SE803 | |
| | | | | | | •Instr Panel | •Planche de bord | •Instr Tafel | •Panel Instrum | •Instrumentpanel | HE801 | |
| | | | | | | •Insulator..... | •Isolateur..... | •Isolator..... | •Aislador..... | •Isolator..... | SD | |
| 2 | VOE 1096619 | 6 | 6 | | | •Rcpt Housing..... | •Douille Isolan..... | •Steckbuchse..... | •Aislador Mangui..... | •Hyisisolator..... | | |
| 3 | VOE 4803454 | 13 | 13 | | | •Rcpt Housing..... | •Douille Isolan..... | •Steckbuchse..... | •Aislador Mangui..... | •Hyisisolator..... | | |
| 4 | VOE 4803532 | 13 | 13 | | | •Insulator..... | •Isolateur..... | •Isolator..... | •Aislador..... | •Isolator..... | | |
| 5 | VOE 1307600 | 1 | 1 | | | •Protecting Sleeve..... | •Manchon Protection.. | •Schutzhülle..... | •Manguito Protec..... | •Skyddshylsa..... | | |

1245) GB: Including parts: Wire assembly, hose, manifold, cable terminal and isulator See Group 379. FR: Article: cable, flexible, tubulure, cosse cable y isolant. See Group 379 DE: Artikeln: El leitung, Schlauch, Verzweigung, Kabelschuh und Isolator. See Group 379. ES: Artículo: cable, manguera, bifurcacion, terminal cable et aislador. See Group 379. SE: Artiklar: ledning, slang, förgrening, ledningssko och isolator. See Group 379

| | | | | |
|---|-----------|---|--------------|---------|
| 1 | STD | Ledningsmatta, manöverpanel. Manojo de cables, cabina Kabelbäume, Kabine Faisceau de câbles, cabine Cable harnesses, cab | Catalogue id | Group |
| 2 | OPEN ROPS | | 20007 | 371 |
| 3 | | | Illustr. No | Section |
| 4 | | | 1008800 | 550 |
| 5 | | | Issue | Page |
| | | VOE 63D9920007 | 237 | |



Volvo Construction
Equipment
1008800

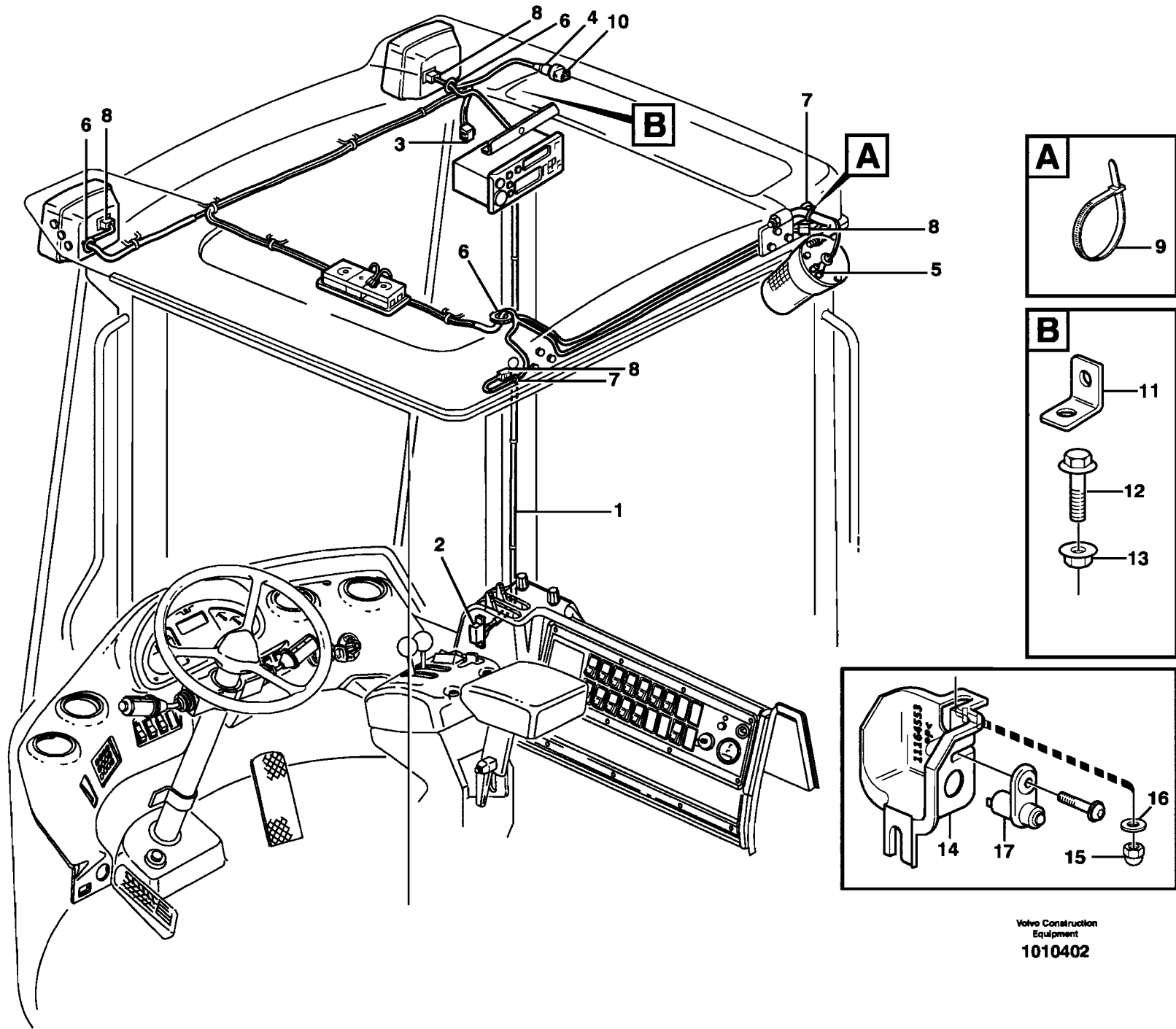
| Fig. | Part No. | Quantity | | | P S | K I T | Description | Dénomination | Bezeichnung | Denominación | Benämning | Notes |
|------|--------------|----------|-----|---|--------|--------------------------|-------------------------|------------------------|------------------------|----------------------|-------------------------|-------|
| | | 1 | 2 | 3 | | | | | | | | |
| 7 | VOE 1096618 | 1 | 1 | | | •Rcpt Housing | •Douille Isolan. | •Steckbuchse | •Aislador Mangui | •Hylsisolator..... | | |
| 8 | VOE 13958210 | 4 | 4 | | | •Rcpt Housing | •Douille Isolan. | •Steckbuchse | •Aislador Mangui | •Hylsisolator..... | | |
| 9 | VOE 8159086 | 1 | 1 | | | •Rcpt Housing | •Douille Isolan. | •Steckbuchse | •Aislador Mangui | •Hylsisolator..... | | |
| 10 | VOE 948295 | 1 | 1 | | | •Pin Housing | •Fiche Isolante | •Rundstecker..... | •Aislad Clavija | •Stiftisolator..... | | |
| 11 | VOE 968388 | 2 | 2 | | | •Insulator | •Isolateur | •Isolator | •Aislador | •Isolator..... | | |
| 12 | VOE 961970 | 1 | 1 | | | •Plug | •Bouchon..... | •Stopfen | •Tapon..... | •Plugg..... | | |
| 13 | VOE 1259830 | 2 | 2 | | | •Insulator | •Isolateur | •Isolator | •Aislador | •Isolator..... | | |
| 14 | VOE 11041350 | 1 | | | | Cable harness..... | Faisceau cables | Kabelbaum | Manojo cables | Ledningsmatta..... | 1245) | |
| | | | | | | •CONNECTED TO:..... | •CONNECTÉ A: | •ANGESCHLOSSEN:..... | •CONECTADO A:..... | •ANSLUTER TILL:..... | | |
| | | | | | | ••Cable harness | ••Faisceau cables..... | ••Kabelbaum | ••Manojo cables..... | ••Ledningsmatta..... | SG | |
| | | | | | | ••Fan, cab | ••Ventilateur,cabine | ••Gebläse, Fahrerhau | ••Ventilador,cabina | ••Fläkt, hytt | | |
| 15 | VOE 1096614 | 1 | | | | •Insulator | •Isolateur | •Isolator | •Aislador | •Isolator..... | | |
| 16 | VOE 13949597 | 5 | | | | •Protecting Sleeve | •Manchon Protection.. | •Schutzhülle | •Manguito Protec..... | •Skyddshylsa..... | | |
| 17 | VOE 13961962 | 1 | | | | •Ptct Bushing | •Bague Protection | •Schutzhülse | •Buje Proteccion..... | •Skyddsbusning..... | | |
| 18 | | 1 | | | | Wire harness..... | Faisceau cables | Kabelbaum | Manojo cables | Ledningsmatta..... | Air conditioning | |
| 19 | | 1 | 1 | | | Wire harness..... | Faisceau cables | Kabelbaum | Manojo cables | Ledningsmatta..... | See group 371, Page 229 | |
| 20 | VOE 4881440 | REQ | REQ | | | Strip Clamp | Ruban Serrage..... | Kabelbinder | Abraz Cinta | Bandklamma..... | | |
| 21 | VOE 191910 | | 1 | | | Connector | Bloc Connexion..... | Verbindungsstueck..... | Pieza Empalme | Skarvstycke..... | | |

1245) GB: Including parts: Wire assembly, hose, manifold, cable terminal and isolator See Group 379. FR: Article: cable, flexible, tubulure, cosse cable y isolant. See Group 379 DE: Artikeln: El leitung, Schlauch, Verzweigung, Kabelschuh und Isolator. See Group 379. ES: Articulo: cable, manguera, bifurcacion, terminal cable et aislador. See Group 379. SE: Artiklar: ledning, slang, förgrening, ledningssko och isolator. See Group 379

| | | | | |
|---|-----------|--|----------------|---------|
| 1 | STD | Ledningsmatta, manöverpanel. Manojo de cables, cabina Kabelbäume, Kabine Faisceau de câbles, cabine Cable harnesses, cab | Catalogue id | Group |
| 2 | OPEN ROPS | | 20007 | 371 |
| 3 | | | Illustr. No | Section |
| 4 | | | 1008800 | 550 |
| 5 | | | Issue | Page |
| | | | VOE 63D9920007 | 239 |

VOLVO

L90E

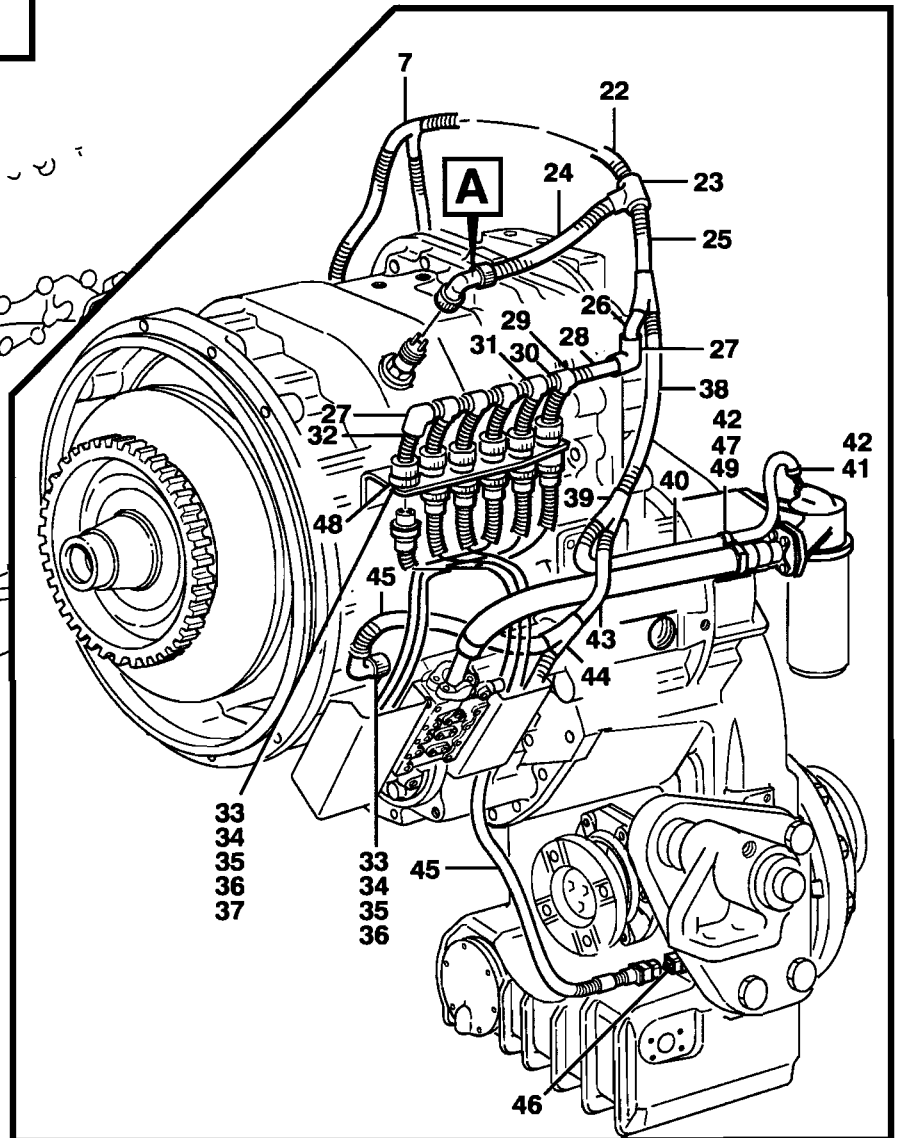
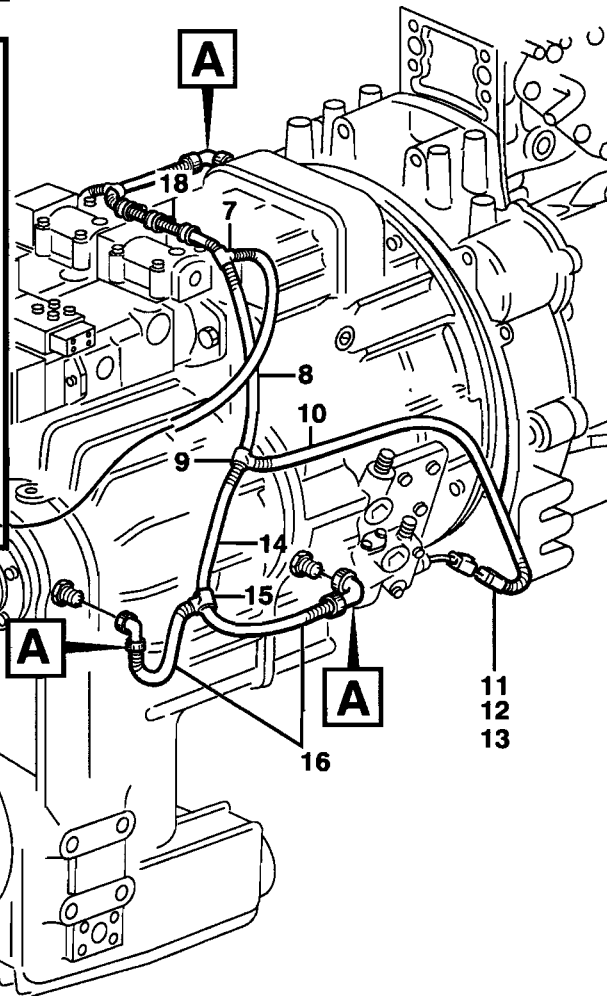
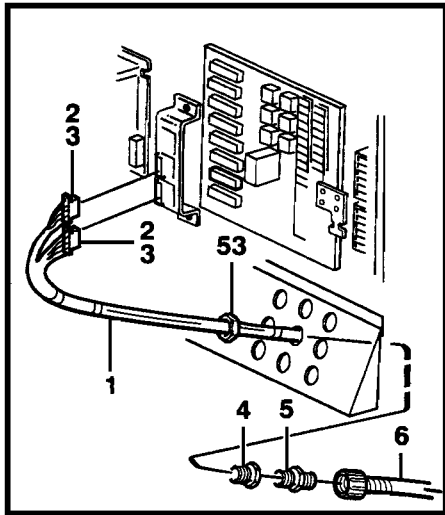
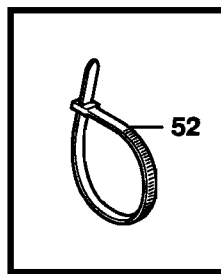
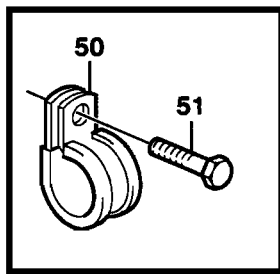
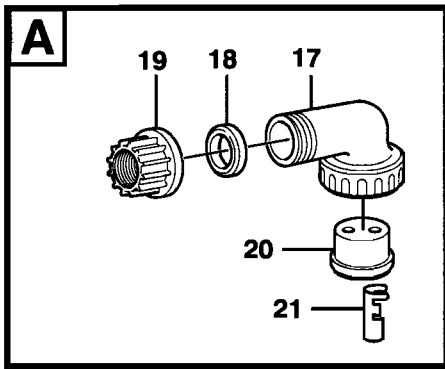


Volvo Construction
Equipment
1010402

| Fig. | Part No. | Quantity | | | P S | K I T | Description | Dénomination | Bezeichnung | Denominación | Benämning | Notes |
|------|--------------|----------|---|---|--------|-------------|---------------------|-------------------------|------------------------|----------------------|----------------------|------------------|
| | | 1 | 2 | 3 | | | | | | | | |
| 1 | VOE 11040823 | 1 | | | | | Cable harness | Faisceau cables | Kabelbaum | Manojo cables | Ledningsmatta | 1245) CAB - 1802 |
| | VOE 11170986 | 1 | | | | | Cable harness | Faisceau cables | Kabelbaum | Manojo cables | Ledningsmatta | CAB 1803 - |
| | | | | | | | •CONNECTED TO: | •CONNECTÉ A: | •ANGESCHLOSSEN: | •CONECTADO A: | •ANSLUTER TILL: | |
| | | | | | | | ••Wire harness | ••Faisceau cables | ••Kabelbaum | ••Manojo cables | ••Ledningsmatta | ST |
| | | | | | | | ••Work light, front | ••Lampe travail, anteri | ••Arbeitslampe, vorde | ••Lampara de mesa, | ••Arbetsljus, fram | LA315, LA316 |
| | | | | | | | ••Temp sensor | ••Detecteur temp | ••Temperaturgeber | ••Sensor temperat | ••Temp givare | SE807 |
| | | | | | | | ••Radio | ••Radio | ••Radio | ••Radio | ••Radio | CR |
| | | | | | | | ••Interior light | ••Lampe interieure | ••Innenleuchte | ••Lampara interior | ••Innerbelysning | LA314 |
| | | | | | | | ••Work light, rear | ••Lampe travail, arr. | ••Arbeitslampe, hinter | ••Lampara de mesa, t | ••Arb.ljus, bak | LA322, LA323 |
| | | | | | | | ••Rotating Beacon | ••Gyrophare | ••Rundumkennleucht | ••Luz Rotativa Emerg | ••Roterande Varnings | LA325 |
| 2 | VOE 1096615 | 1 | | | | | •Insulator | •Isolateur | •Isolator | •Aislador | •Isolator | |
| 3 | VOE 968388 | 1 | | | | | •Insulator | •Isolateur | •Isolator | •Aislador | •Isolator | |
| 4 | VOE 1307048 | 1 | | | | | •Insulator | •Isolateur | •Isolator | •Aislador | •Isolator | |
| 5 | VOE 13949597 | 4 | | | | | •Protecting Sleeve | •Manchon Protection | •Schutzhülle | •Manguito Protec | •Skyddshylsa | |
| 6 | VOE 1259854 | 3 | | | | | •Grommet | •Passe fil | •Durchführung | •Aislador pasapanel | •Genomföring | |
| 7 | VOE 941269 | 3 | | | | | •Plug | •Bouchon | •Stopfen | •Tapon | •Plugg | |
| 8 | VOE 14370760 | 4 | | | | | •Socket | •Socle | •Steckdose | •Toma De Corrien | •Stickdosa | |
| | VOE 14370880 | 4 | | | | | •Key | •Clavette | •Keil | •Llave (cuna) | •Kil | |
| 9 | VOE 4881440 | 10 | | | | | Strip Clamp | Ruban Serrage | Kabelbinder | Abraz Cinta | Bandklamma | |
| 10 | VOE 1347010 | 1 | | | | | Temp Sensor | Detecteur Temp | Temperaturgeber | Sensor Temperat | Temp Givare | SE807 |
| 11 | VOE 11006229 | 1 | | | | | Anchorage | Fixation | Halterung | Fijacion | Fäste | |
| 12 | VOE 13965175 | | | | | | Screw | Vis | Schraube | Tornillo | Skruv | |
| 13 | VOE 13945407 | | | | | | Nut | Ecrou | Mutter | Tuerca | Mutter | |
| 14 | VOE 11164553 | 1 | | | | | Cover | Capot | Haube | Capo | Huv | CAB 1803 - |
| 15 | VOE 11005777 | 1 | | | | | Cap Nut | Ecrou Capuchon | Hutmutter | Tuerca Sombrer | Hattmutter | CAB 1803 - |
| 16 | VOE 960139 | 1 | | | | | Washer | Rondelle | Scheibe | Arandela | Bricka | CAB 1803 - |
| 17 | VOE 3987417 | 1 | | | | | Switch | Interrupteur | Trennschalter | Interruptor | Brytare | CAB 1803 - |

1245) GB: Including parts: Wire assembly, hose, manifold, cable terminal and isolator See Group 379. FR: Article: cable, flexible, tubulure, cosse cable y isolant. See Group 379 DE: Artikeln: Elleitung, Schlauch, Verzweigung, Kabelschuh und Isolator. See Group 379. ES: Artículo: cable, manguera, bifurcacion, terminal cable et aislador. See Group 379. SE: Artiklar: ledning, slang, förgrening, ledningssko och isolator. See Group 379

| | | | | |
|---|--|--|-----------------------|------------|
| 1 | | Ledningsmatta, innertak | Catalogue id | Group |
| 2 | | Haz de cables, techo de la cabina | 20007 | 371 |
| 3 | | Kabelbäume, Innendach | Illustr. No | Section |
| 4 | | Faisceau de câbles, pavillon toit | 1010402 | 600 |
| 5 | | Cable harness, ceiling | Issue | Page |
| | | | VOE 63D9920007 | 241 |



Volvo Construction
Equipment
1009414

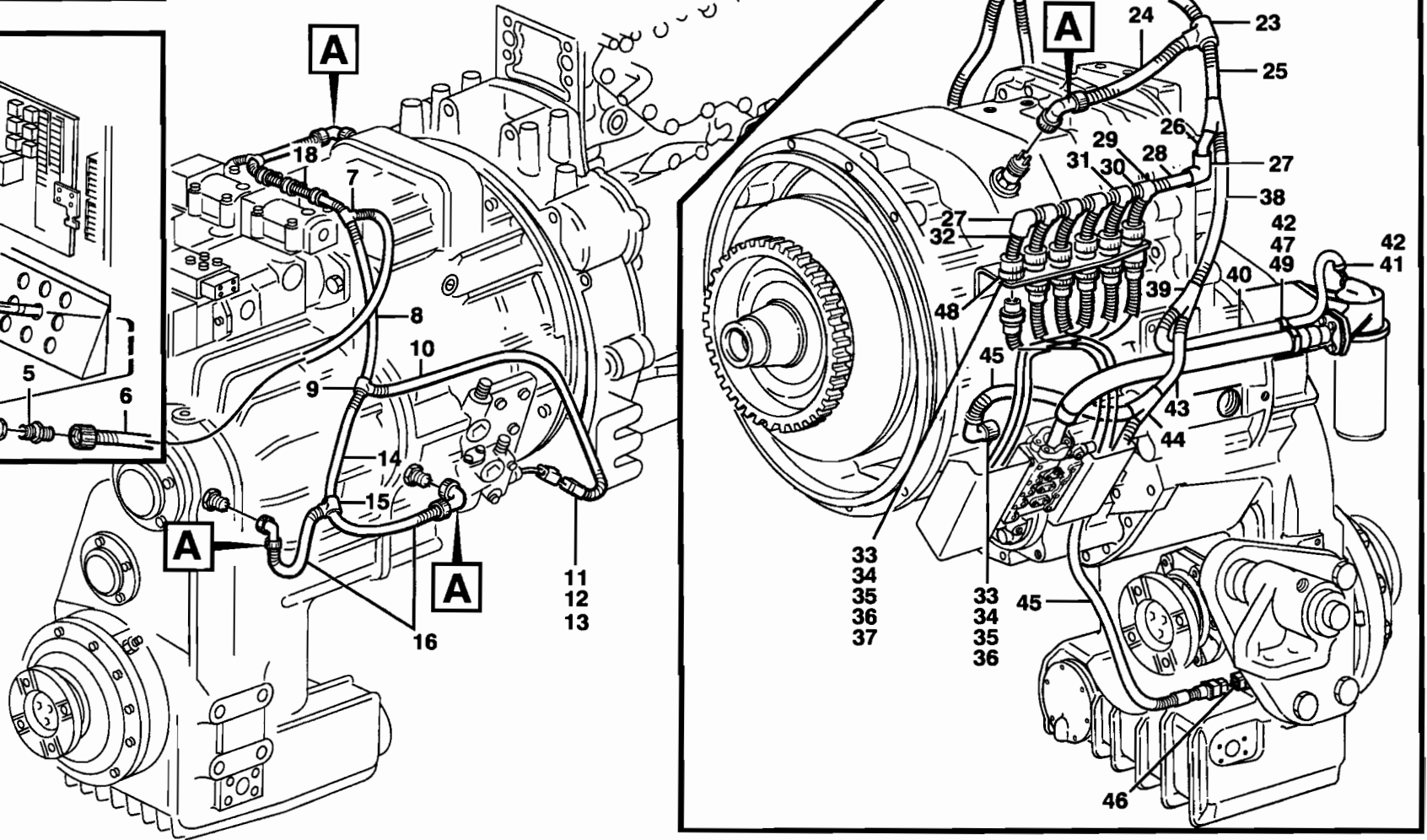
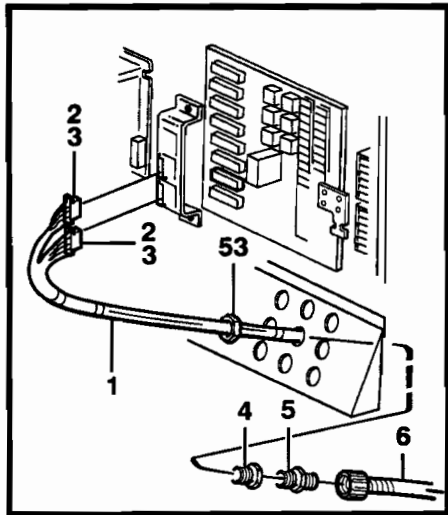
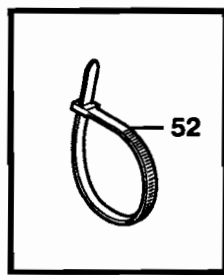
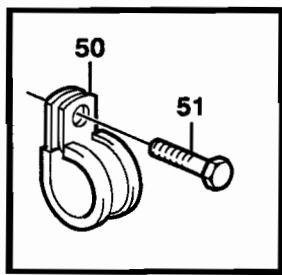
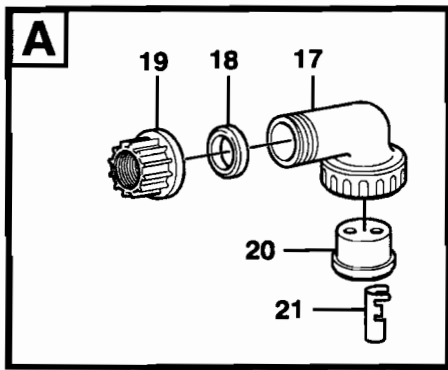
| Fig. | Part No. | Quantity | | | P S | K I T | Description | Dénomination | Bezeichnung | Denominación | Benämning | Notes |
|------|--------------|----------|-----|-----|--------|-------------|---|--------------|-------------|--------------|-----------|------------------------|
| | | 1 | 2 | 3 | | | | | | | | |
| 1 | VOE 11145700 | 1 | | | | | Cable harness..... Faisceau cables Kabelbaum..... Manajo cables Ledningsmatta..... | | | | | 1245) (VOE 11145177) |
| | | | | | | | •Connected to: •Connecté a: •Angeschlossen:..... •Conectado:..... •Ansluter till:..... | | | | | |
| | | | | | | | •Circuit Board..... •Carte Circuit..... •Leiterrahnpl..... •Placa Circuito..... •Kretskort..... | | | | | TA, TB |
| | | | | | | | •Speed sensor •Commande tachym •Drehzahlschalter..... •Sensor tacometro •Varvtalsgivare..... | | | | | SE201, SE402 |
| | | | | | | | •Gear selector valve •Valve selectr.vitesse •Umsteuerventil..... •valvula select.veloci •Växelväljarventil..... | | | | | SA, SC, SE, SF, SD, SB |
| | | | | | | | •Temp.sensor •Detecteur temperat. •Temperaturgeber •Sensor temperature •Temp.givare..... | | | | | SE406 |
| | | | | | | | •Pressure sensor •Detecteur pression .. •Druckmelder •Sensor presion..... •Tryckgivare..... | | | | | SE405, SE401 |
| | | | | | | | •Speedsensor •Indicat.viteseedetec. •Tachometergeber •Sensor velocimetro .. •Hastighetsgivare..... | | | | | SE403 |
| | | | | | | | •Oil lvl sensor..... •Capteur niv hui •Ölstandgeber •Sensor niv acei •Oljenivågivare..... | | | | | SE413 |
| 1 | VOE 11145571 | 1 | 1 | | | | Cable harness..... Faisceau cables Kabelbaum..... Manajo cables Ledningsmatta..... | | | | | 1245) |
| | | | | | | | •Connected to: •Connecté a: •Angeschlossen:..... •Conectado:..... •Ansluter till:..... | | | | | |
| | | | | | | | •Circuit Board..... •Carte Circuit..... •Leiterrahnpl..... •Placa Circuito..... •Kretskort..... | | | | | TA, TB |
| | | | | | | | •Speed sensor •Commande tachym •Drehzahlschalter..... •Sensor tacometro •Varvtalsgivare..... | | | | | SE201, SE402 |
| | | | | | | | •Gear selector valve •Valve selectr.vitesse •Umsteuerventil..... •valvula select.veloci •Växelväljarventil..... | | | | | SA, SC, SE, SF, SD, SB |
| | | | | | | | •Temp.sensor •Detecteur temperat. •Temperaturgeber •Sensor temperature •Temp.givare..... | | | | | SE406 |
| | | | | | | | •Pressure sensor •Detecteur pression .. •Druckmelder •Sensor presion..... •Tryckgivare..... | | | | | SE405, SE401 |
| | | | | | | | •Speedsensor •Indicat.viteseedetec. •Tachometergeber •Sensor velocimetro .. •Hastighetsgivare..... | | | | | SE403 |
| 2 | VOE 1096619 | 2 | 2 | 2 | | | •Insulator..... •Isolateur •Isolator •Aislador •Isolator..... | | | | | |
| 3 | VOE 970777 | 22 | 23 | 23 | | | •Cable terminal •Cosse cable •Flachsteckhülse •Terminal cable •Ledningssko..... | | | | | |
| 4 | VOE 4803795 | 1 | 1 | 1 | | | •Reduction •Reduction..... •Reduzierung..... •Reduccion •Reducering..... | | | | | |
| 5 | VOE 4803768 | 1 | 1 | 1 | | | •Hose Coupling •Raccor.flexible •Schlauchkupplg..... •Acoplam Manguer •Slangkoppling..... | | | | | |
| 6 | VOE 4803751 | REQ | REQ | REQ | | | •Hose •Durit •Schlauch •Tubo flexible..... •Slang..... | | | | | |
| 7 | | 1 | | | NS | | •Manifold •Tubulure..... •Auspuffkrummer..... •Tubo multiple •Grenrörs..... | | | | | |
| | 3943201 | | 1 | 1 | | | •Manifold •Tubulure..... •Auspuffkrummer..... •Tubo multiple •Grenrörs..... | | | | | |
| 8 | VOE 4803748 | REQ | REQ | REQ | | | •Hose •Durit •Schlauch •Tubo flexible..... •Slang..... | | | | | |
| 9 | | 4 | 1 | 1 | NS | | •Tee •Connexion en t..... •T-stuck •Acoplamiento t •T-koppling..... | | | | | |
| | VOE 3171495 | 1 | 1 | 1 | | | •Manifold •Tubulure..... •Verzweigung •Bifurcacion •Förgrening..... | | | | | |

1245) GB: Including parts: Wire assembly, hose, manifold, cable terminal and isulator See Group 379. FR: Article: cable, flexible, tubulure, cosse cable y isolant. See Group 379 DE: Artikeln: El leitung, Schlauch, Verzweigung, Kabelschuh und Isolator. See Group 379. ES: Articulo: cable, manguera, bifurcacion, terminal cable et aislador. See Group 379. SE: Artiklar: ledning, slang, förgrening, ledningssko och isolator. See Group 379

| | | | | |
|---|-----------------|---|--------------|---------|
| 1 | 22523 | Ledningsmatta för transmission Manajo de cable para transmision Kabelbaum für Getriebe Faisceau de câbles pourtransmission Cable harness for transmission | Catalogue id | Group |
| 2 | 22548 | | 20007 | 371 |
| 3 | 33286 OPEN ROPS | | Illustr. No | Section |
| 4 | | | 1009414 | 650 |
| 5 | | | Issue | Page |
| | | VOE 63D9920007 | 243 | |

VOLVO

L90E



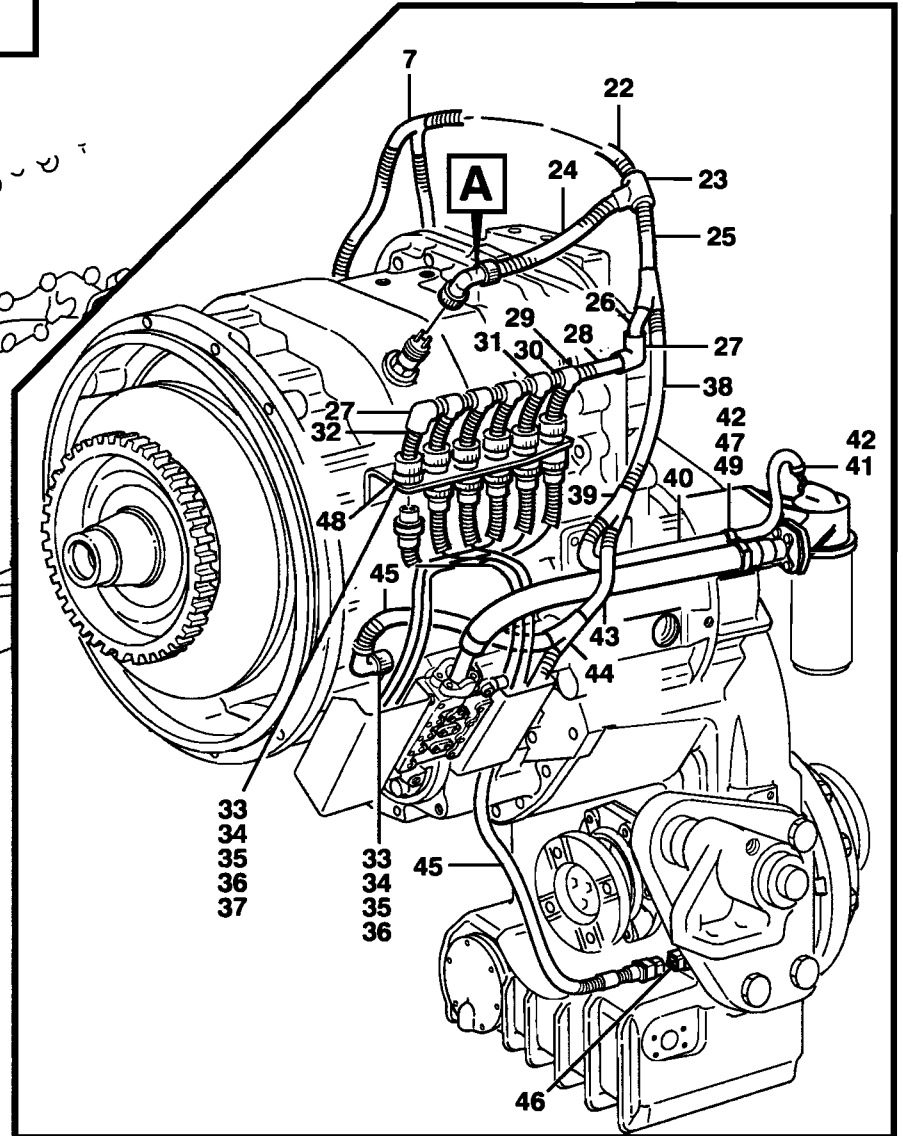
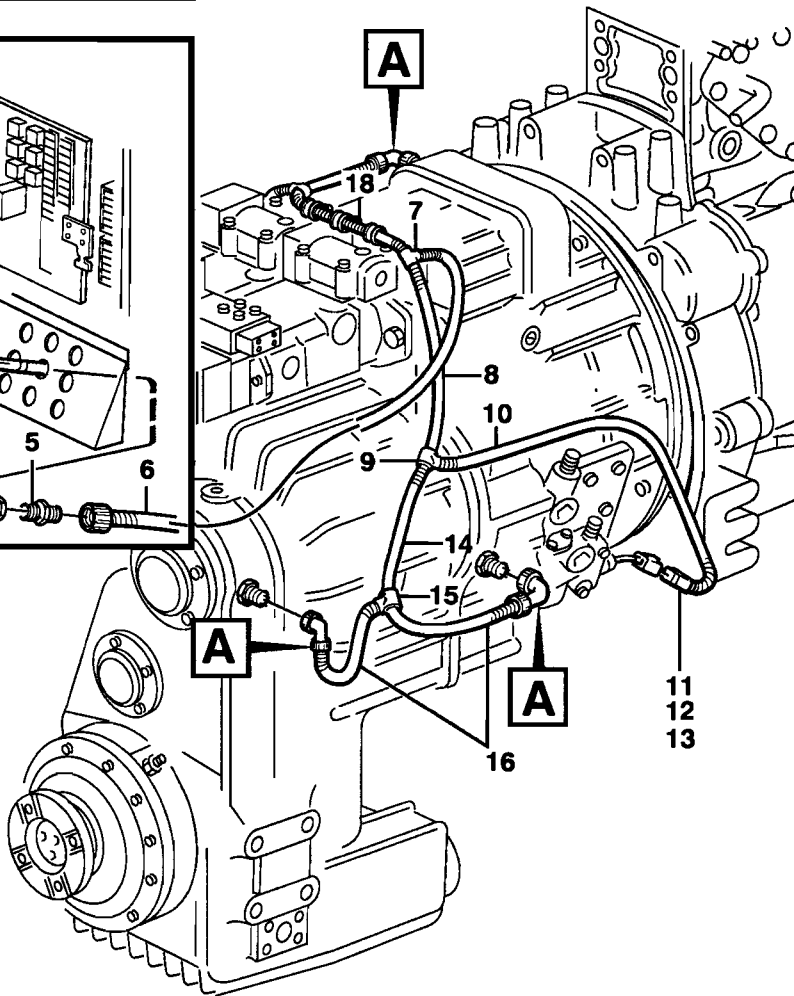
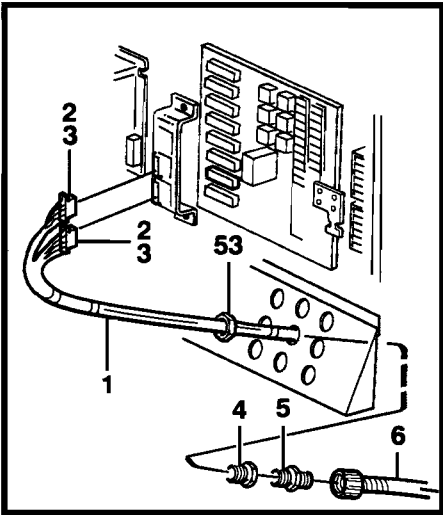
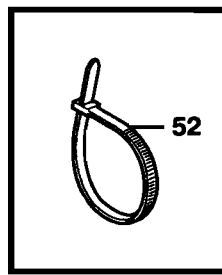
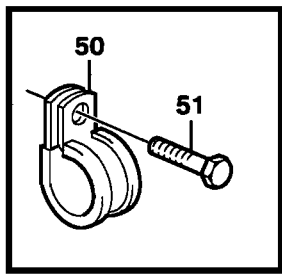
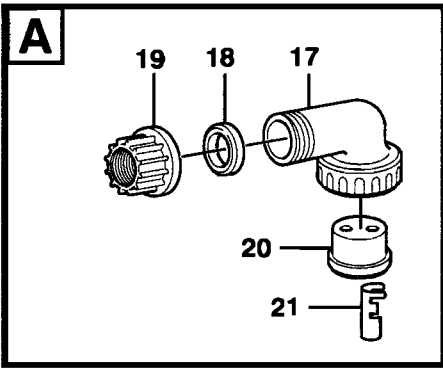
Volvo Construction
Equipment
1009414

| Fig. | Part No. | Quantity | | | P S | K I T | Description | Dénomination | Bezeichnung | Denominación | Benämning | Notes |
|------|--------------|----------|-----|-----|--------|-------------|-----------------------|---------------------------|------------------------|------------------------|----------------------|-------|
| | | 1 | 2 | 3 | | | | | | | | |
| 10 | VOE 4803746 | REQ | | | | | •Hose | •Durit | •Schlauch | •Tubo flexible..... | •Slang..... | |
| 11 | VOE 1624477 | 1 | 1 | 1 | | | •Rcpt Housing | •Douille Isolan..... | •Steckbuchse | •Aislador Mangui | •Hyllisolator..... | |
| 12 | VOE 13949003 | 2 | 2 | 2 | | | •Cable terminal | •Cosse cable..... | •Flachsteckhülse | •Terminal cable | •Ledningsska..... | |
| 13 | VOE 1598753 | 2 | | | | | •Insulation | •Isolant | •Isolierung | •Aislante | •Isolering..... | |
| 14 | VOE 4803748 | REQ | | | | | •Hose | •Durit | •Schlauch | •Tubo flexible..... | •Slang..... | |
| 15 | VOE 3171495 | 1 | 1 | 1 | | | •Manifold | •Tubulure..... | •Verzweigung | •Bifurcacion | •Förgrening..... | |
| 16 | VOE 4803746 | REQ | REQ | REQ | | | •Hose | •Durit | •Schlauch | •Tubo flexible..... | •Slang..... | |
| 17 | VOE 4803791 | 3 | 3 | 3 | | | •Elbow Union | •Coude Raccord..... | •Winkelverschrbg | •Union Angular | •Vinkelförskruv..... | |
| 18 | VOE 11039262 | 3 | 3 | 3 | | | •Sealing ring..... | •Bague d'étanchéité | •Runddichtring..... | •Anillo reten | •Tätningsring..... | |
| 19 | VOE 4803794 | 3 | 3 | 3 | | | •Nut | •Ecrou | •Mutter..... | •Tuerca | •Mutter..... | |
| 20 | VOE 4803790 | 3 | 3 | 3 | | | •Rubber Plug..... | •Bouchon Caoutc..... | •Gummistöpsel..... | •Tapon Goma | •Gummipropp..... | |
| 21 | VOE 4803799 | 6 | 6 | 6 | | | •Cable terminal | •Cosse cable..... | •Flachsteckhülse | •Terminal cable | •Ledningsska..... | |
| 22 | VOE 4803751 | REQ | REQ | REQ | | | •Hose | •Durit | •Schlauch | •Tubo flexible..... | •Slang..... | |
| 23 | | 1 | 1 | 1 | NS | | •Tee | •Connexion en t..... | •T-stuck | •Acoplamiento t..... | •T-koppling..... | |
| 24 | VOE 4803746 | REQ | | | | | •Hose | •Durit | •Schlauch | •Tubo flexible..... | •Slang..... | |
| 25 | VOE 4803751 | REQ | REQ | REQ | | | •Hose | •Durit | •Schlauch | •Tubo flexible..... | •Slang..... | |
| 26 | VOE 4803748 | REQ | | | | | •Hose | •Durit | •Schlauch | •Tubo flexible..... | •Slang..... | |
| 27 | VOE 11039843 | 2 | 2 | 2 | | | •Elbow..... | •Coude | •Winkelstueck..... | •Tubo acodado | •Vinkel..... | |
| 28 | VOE 4803748 | REQ | | | | | •Hose | •Durit | •Schlauch | •Tubo flexible..... | •Slang..... | |
| 29 | | 1 | 1 | 1 | NS | | •Tee | •Connexion en t..... | •T-stuck | •Acoplamiento t..... | •T-koppling..... | |
| 30 | VOE 4803748 | REQ | | | | | •Hose | •Durit | •Schlauch | •Tubo flexible..... | •Slang..... | |
| 31 | | 4 | 4 | 4 | NS | | •Tee | •Connexion en t..... | •T-stuck | •Acoplamiento t..... | •T-koppling..... | |
| 32 | VOE 4803748 | REQ | | | | | •Hose | •Durit | •Schlauch | •Tubo flexible..... | •Slang..... | |
| 33 | VOE 8159013 | 7 | 7 | 7 | | | •Insulator..... | •Isolateur..... | •Isolator | •Aislador | •Isolator..... | |
| 34 | VOE 8159012 | 15 | 15 | 15 | | | •Seal | •Joint | •Dichtung..... | •Reten | •Tätning..... | |
| 35 | VOE 8155903 | 15 | 15 | 15 | | | •Cable terminal | •Cosse cable..... | •Flachsteckhülse | •Terminal cable | •Ledningsska..... | |
| 36 | VOE 8155899 | 13 | 13 | 13 | | | •Plug | •Bouchon..... | •Stopfen | •Tapon..... | •Plugg..... | |
| 37 | | 6 | 6 | 6 | NS | | •Adapter | •Raccord Reduct..... | •Verbind Stutzen | •Adaptador | •Adapter..... | |
| 38 | VOE 4803748 | REQ | REQ | REQ | | | •Hose | •Durit | •Schlauch | •Tubo flexible..... | •Slang..... | |
| 39 | | 2 | | | NS | | •Tee | •Connexion en t..... | •T-stuck | •Acoplamiento t..... | •T-koppling..... | |

| | | | | |
|---|-----------------|--|----------------|------------|
| 1 | 22523 | Ledningsmatta för transmission Manojo de cable para transmision Kabelbaum für Getriebe Faisceau de câbles pourtransmission Cable harness for transmission | Catalogue id | Group |
| 2 | 22548 | | 20007 | 371 |
| 3 | 33286 OPEN ROPS | | Illustr. No | Section |
| 4 | | | 1009414 | 650 |
| 5 | | | Issue | Page |
| | | VOE 63D9920007 | 245 | |

VOLVO

L90E



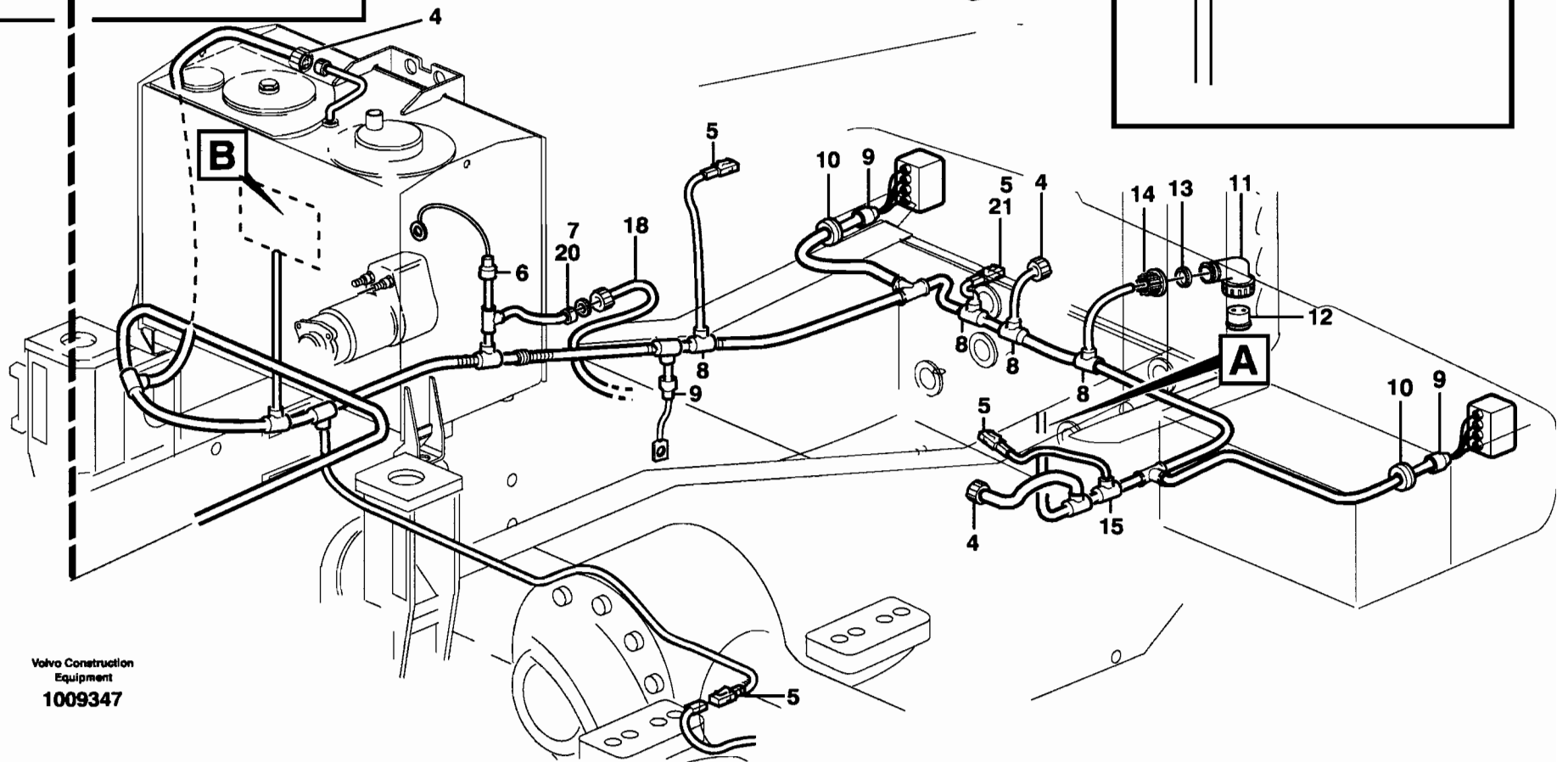
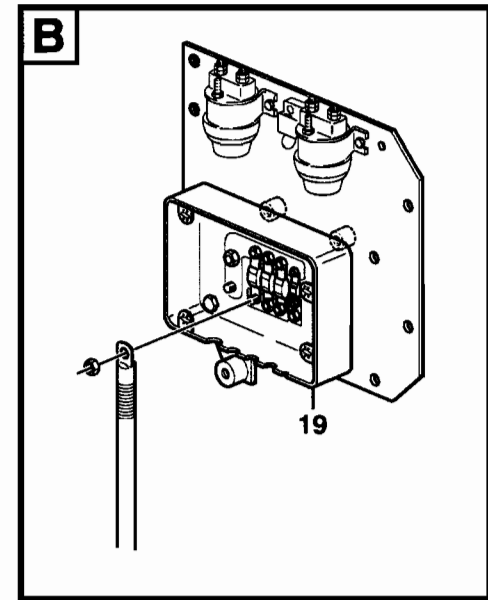
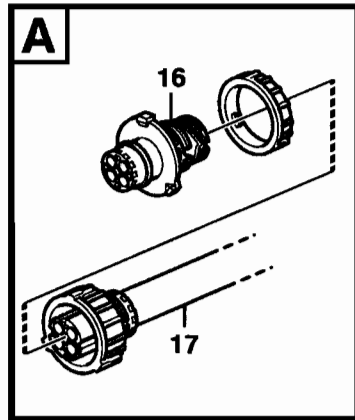
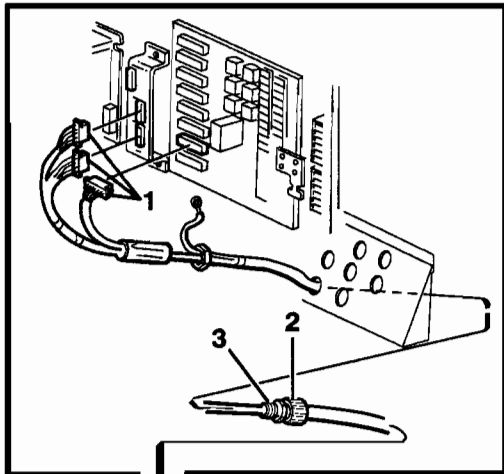
Volvo Construction
Equipment
1009414

| Fig. | Part No. | Quantity | | | P S | K I T | Description | Dénomination | Bezeichnung | Denominación | Benämning | Notes |
|------|--------------|----------|-----|-----|--------|-------------|---------------------|------------------------|----------------------|-----------------------|----------------------|-------------|
| | | 1 | 2 | 3 | | | | | | | | |
| 40 | VOE 4803746 | REQ | | | | | •Hose | •Durit | •Schlauch | •Tubo flexible..... | •Slang..... | |
| 41 | VOE 11039397 | 1 | 1 | 1 | | | •End Sleeve | •Douille Extrem. | •Aderendhülse..... | •Manguito Final | •Ändhylsa..... | |
| 42 | VOE 4881440 | 12 | | | | | •Strip Clamp..... | •Ruban Serrage | •Kabelbinder..... | •Abraz Cinta | •Bandklamma..... | |
| 43 | VOE 4803748 | REQ | | | | | •Hose | •Durit | •Schlauch | •Tubo flexible..... | •Slang..... | |
| 44 | | 1 | 1 | 1 | NS | | •Tee | •Connexion en t..... | •T-stuck | •Acoplamiento t..... | •T-koppling..... | |
| 45 | VOE 4803746 | REQ | REQ | REQ | | | •Hose | •Durit | •Schlauch | •Tubo flexible..... | •Slang..... | |
| 46 | VOE 2514894 | 1 | | | | | •Sealing Plug | •Tampon Etanche. | •Dichtstopfen..... | •Tapon Obturac..... | •Tättningsplugg..... | |
| | 3987768 | | 1 | 1 | | | •End Sleeve | •Douille Extrem. | •Aderendhülse..... | •Manguito Final | •Ändhylsa..... | |
| 47 | VOE 11031191 | 2 | | | | | •Cable Tie | •Serre-cable | •Kabelbinder..... | •Abrazadera | •Bandklämman..... | |
| 48 | VOE 3963413 | 6 | | | | | Lock Ring | Anneau Verrouillage .. | Schlossring..... | Anillo Segurid | Låsring..... | |
| 49 | VOE 4881440 | REQ | | | | | Strip Clamp | Ruban Serrage..... | Kabelbinder..... | Abraz Cinta | Bandklamma..... | |
| 50 | VOE 980614 | 1 | | | | | Clamp..... | Pince Serrage | Klemme | Abrazadera..... | Klämman..... | ID = 14,3MM |
| | VOE 13949746 | 1 | | | | | Clamp..... | Pince Serrage | Klemme | Abrazadera..... | Klämman..... | ID = 12,7MM |
| | VOE 13977599 | 2 | | | | | Clamp..... | Pince Serrage | Klemme | Abrazadera..... | Klämman..... | ID = 22,2MM |
| | VOE 13949746 | 2 | | | | | Clamp..... | Pince Serrage | Klemme | Abrazadera..... | Klämman..... | ID = 12,7MM |
| 51 | VOE 13965175 | 1 | | | | | Screw | Vis | Schraube..... | Tornillo | Skruv..... | M6 X 12MM |
| | VOE 946440 | 5 | | | | | Flange screw..... | Vis à bride | Flanschschraube..... | Torn embridado..... | Flänsskruv..... | M8 X 16MM |
| 52 | VOE 4881440 | 1 | | | | | Strip Clamp | Ruban Serrage..... | Kabelbinder..... | Abraz Cinta | Bandklamma..... | |
| 53 | VOE 11147868 | 1 | | | | | Plastic Nut..... | Ecrou Plastique..... | Plastikmutter | Tuerca Plastica | Plastmutter..... | |

| | | | | |
|---|-----------------|---|--------------|---------|
| 1 | 22523 | Ledningsmatta för transmission Manojo de cable para transmision Kabelbaum für Getriebe Faisceau de câbles pourtransmission Cable harness for transmission | Catalogue id | Group |
| 2 | 22548 | | 20007 | 371 |
| 3 | 33286 OPEN ROPS | | Illustr. No | Section |
| 4 | | | 1009414 | 650 |
| 5 | | | Issue | Page |
| | | VOE 63D9920007 | 247 | |

VOLVO

L90E



Volvo Construction
Equipment
1009347

| Fig. | Part No. | Quantity | | | P S | K T | Description | Dénomination | Bezeichnung | Denominación | Benämning | Notes |
|------|----------|----------|---|---|--------|--------|-------------|--------------|-------------|--------------|-----------|-------|
| | | 1 | 2 | 3 | | | | | | | | |

| | | | | | | | | | | | |
|--------------|---|--|--|--|--|--------------------|----------------------|----------------|--------------------|--------------------|---|
| VOE 11170883 | 1 | | | | | Cable harness..... | Faisceau cables..... | Kabelbaum..... | Manojo cables..... | Ledningsmatta..... | 1245) S/N - 20640 S/N - 66440 USA S/N - 70860 BRA |
| VOE 11170939 | 1 | | | | | Cable harness..... | Faisceau cables..... | Kabelbaum..... | Manojo cables..... | Ledningsmatta..... | S/N 20641 - S/N 66441 - USA S/N 70861 - BRA |

| •CONNECTED TO: | •CONNECTÉ A: | •ANGESCHLOSSEN: | •CONECTADO A: | •ANSLUTER TILL: | |
|------------------------|------------------------|-------------------------|-----------------------|-----------------------|---------------------|
| ••El Distr Unit | ••Centrale Elect | ••Elektrozentrale | ••Central Electr | ••Elcentral | R, RB, RA, +30 |
| ••Level sensor,hyd flu | ••Detec,nivau,fluide h | ••Fullst.geber,hyd öl | ••Emisor nivel,aceite | ••Nivågivare,hyd olja | SE906 |
| ••Fuse box | ••Boitier fusible | ••Sicherungsdose | ••Caja fusibles | ••Säkringsdosa | FU70 |
| ••Temp. sensor, shaft | ••Detecteur temp, arb | ••Temperaturgeber,w | ••Sensor temperat, ej | ••Temperaturgivare,a | SE411 |
| ••Starter motor | ••Demarreur | ••Anlasser | ••Motor arranque | ••Startmotor | MO201 |
| ••Compressor | ••Compresseur | ••Kompressor | ••Compresor | ••Kompressor | RL |
| ••Alternator | ••Alternateur | ••Lichtmaschine | ••Alternador | ••Generator | RD |
| ••Earth | ••Terre | ••Erde | ••Tierra | ••Jord | 31R2 |
| ••Tail light, RH | ••Feu AR, RH | ••Heckleuchte, RH | ••Piloto trasero, RH | ••Baklykta, RH | LA303, LA327, LA331 |
| ••Insulator | ••Isolateur | ••Isolator | ••Aislador | ••Isolator | RR, Radio fuse |
| ••Fan | ••Ventilateur | ••Ventilator | ••Ventilador | ••Fläkt | RP |
| ••Fan | ••Ventilateur | ••Ventilator | ••Ventilador | ••Fläkt | SE211 |
| ••Tail lamp, LH | ••Feu AR, LH | ••Heckleuchte, LH | ••Piloto trasero, LH | ••Baklykta, LH | LA306, LA326, LA329 |
| ••Level sensor, fuel | ••Detect.niveau,carbu | ••Fullst.geber,kraftsto | ••Emisor nivel,combu | ••Nivågivare,bränsle | SE207 |
| ••Temp sensor,coola | ••Detec temp ,liquide | ••Tempgeber,kuhfus | ••Sensor temp,antico | ••Tempgivare,kylvätsk | SE210 |
| ••Radiator casing | ••Boitier radiateur | ••Kühlerhaube | ••Cubierta radiador | ••Kylarkåpa | RZ |
| ••Insulator..... | ••Isolateur..... | ••Isolator..... | ••Aislador..... | ••Isolator..... | |
| ••Fitting..... | ••Ecrou raccord..... | ••Verschraubung..... | ••Racor..... | ••Förskruvning..... | |
| ••Reduction..... | ••Reduction..... | ••Reduzierung..... | ••Reduccion..... | ••Reducering..... | |
| ••Insulator..... | ••Isolateur..... | ••Isolator..... | ••Aislador..... | ••Isolator..... | |

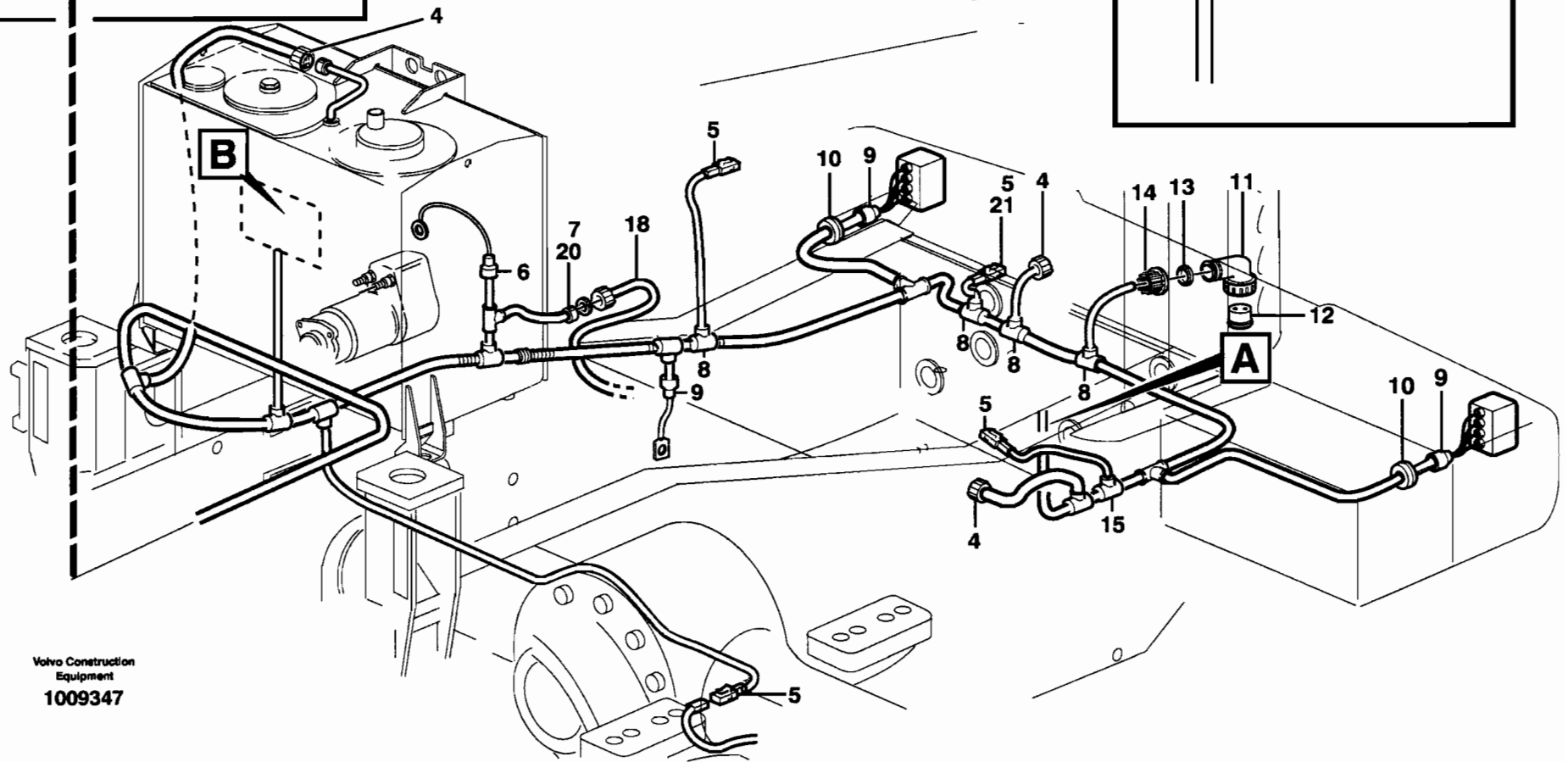
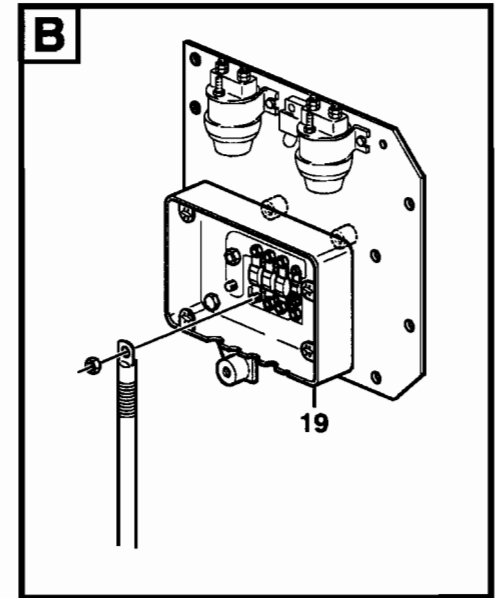
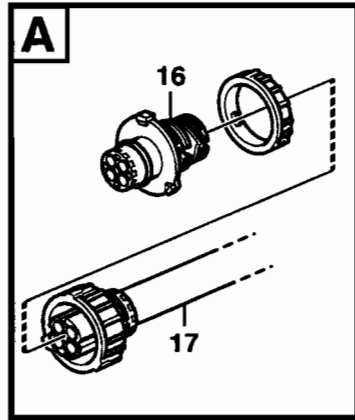
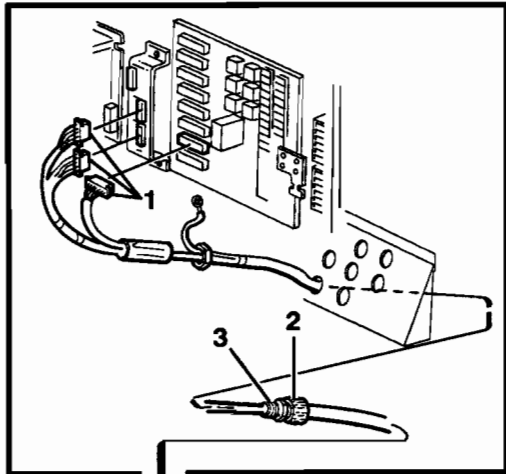
| | | |
|---|--------------|---|
| 1 | VOE 1096619 | 3 |
| 2 | VOE 14343156 | 1 |
| 3 | VOE 11039398 | 1 |
| 4 | VOE 8159013 | 3 |

1245) GB: Including parts: Wire assembly, hose, manifold, cable terminal and isulator See Group 379. FR: Article: cable, flexible, tubulure, cosse cable y isolant. See Group 379 DE: Artikeln: Elleitung, Schlauch, Verzweigung, Kabelschuh und Isolator. See Group 379. ES: Articulo: cable, manguera, bifurcacion, terminal cable et aislador. See Group 379. SE: Artiklar: ledning, slang, förgrening, ledningssko och isolator. See Group 379

| | | | |
|---|--|----------------|---------|
| 1 | Ledningsmatta, bakre Manojo de cable, trasero Kabelbaum, hinten Faisceau de câble, arrière Cable harness, rear | Catalogue id | Group |
| 2 | | 20007 | 371 |
| 3 | | Illustr. No | Section |
| 4 | | 1009347 | 700 |
| 5 | | Issue | Page |
| | | VOE 63D9920007 | 249 |

VOLVO

L90E



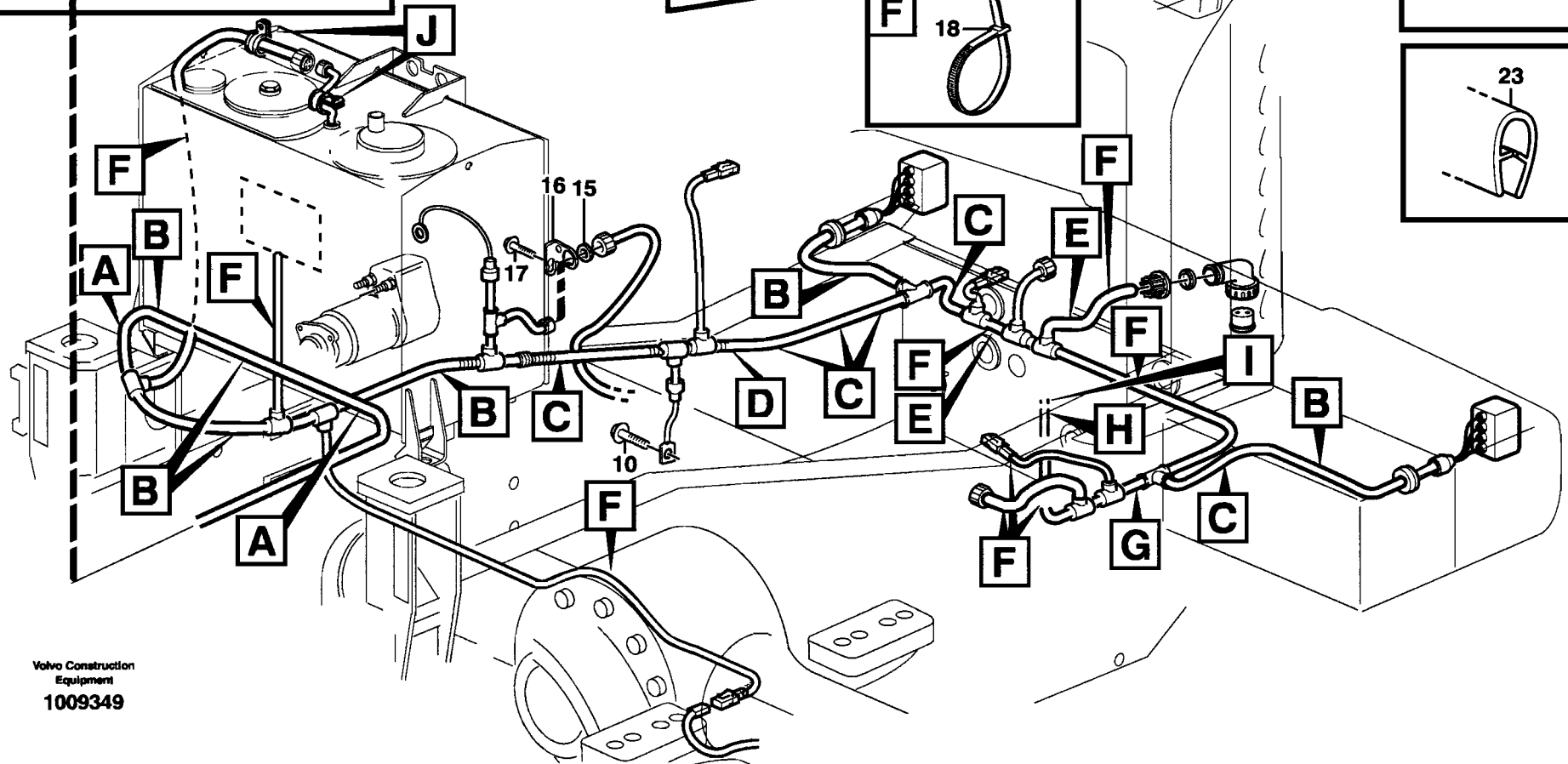
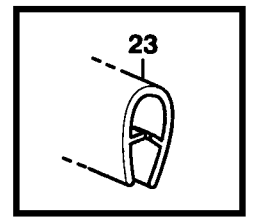
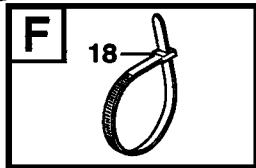
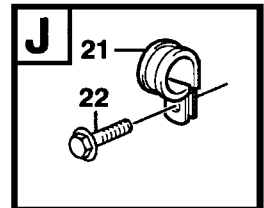
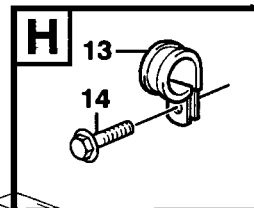
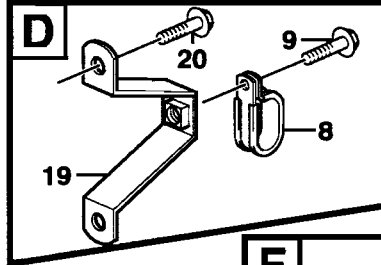
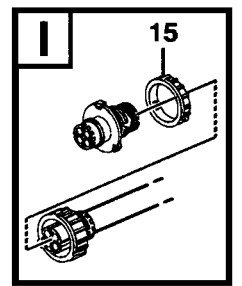
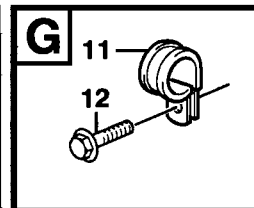
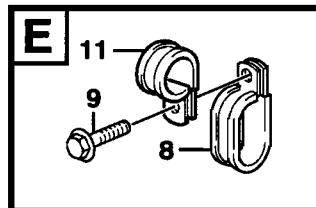
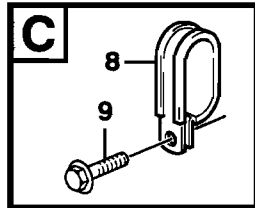
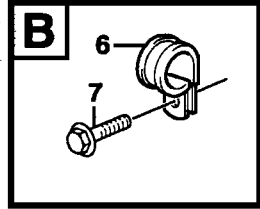
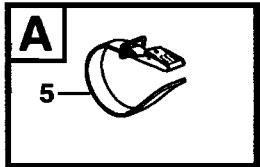
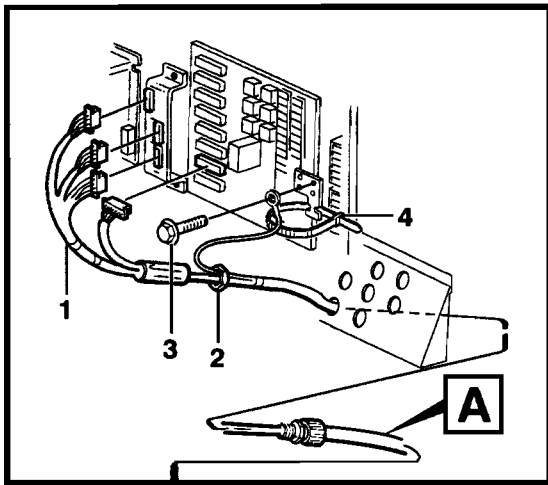
Volvo Construction
Equipment
1009347

| Fig. | Part No. | Quantity | | | P S | K I T | Description | Dénomination | Bezeichnung | Denominación | Benämning | Notes |
|------|--------------|----------|---|---|--------|---------------------|------------------------|------------------------|------------------------|----------------------|-------------------------|-------|
| | | 1 | 2 | 3 | | | | | | | | |
| 5 | VOE 1624477 | 4 | | | | •Rcpt Housing | •Douille Isolan. | •Steckbuchse | •Aislador Mangui | •Hylsisolator..... | | |
| 6 | VOE 11039397 | 1 | | | | •End Sleeve | •Douille Extrem. | •Aderendhülse..... | •Manguito Final | •Ändhylsa..... | | |
| 7 | VOE 3963411 | 1 | | | | •Pin Housing | •Fiche Isolante | •Rundstecker..... | •Aislad Clavija | •Stiftisolator..... | | |
| | VOE 3985597 | 1 | | | | •Guard..... | •Protection..... | •Schutz..... | •Protección | •Skydd..... | | |
| 8 | VOE 11039710 | 4 | | | | •Manifold | •Tubulure..... | •Verzweigung | •Bifurcacion | •Förgrening..... | | |
| 9 | VOE 4803711 | 3 | | | | •End Sleeve | •Douille Extrem. | •Aderendhülse..... | •Manguito Final | •Ändhylsa..... | | |
| 10 | VOE 961970 | 2 | | | | •Plug | •Bouchon..... | •Stopfen | •Tapon..... | •Plugg..... | | |
| 11 | VOE 4803791 | 1 | | | | •Elbow Union | •Coude Raccord..... | •Winkelverschrbg | •Union Angular | •Vinkelförskruv..... | | |
| 12 | VOE 4803790 | 1 | | | | •Rubber Plug..... | •Bouchon Caoutc. | •Gummistöpsel..... | •Tapon Goma | •Gummipropp..... | | |
| 13 | VOE 11039262 | 1 | | | | •Sealing ring..... | •Bague d'étanchéité .. | •Runddichtring..... | •Anillo reten | •Tättningsring..... | | |
| 14 | VOE 4803794 | 1 | | | | •Nut..... | •Ecrou | •Mutter..... | •Tuerca | •Mutter..... | | |
| 15 | VOE 14346331 | 1 | | | | •Manifold | •Tubulure..... | •Verzweigung | •Bifurcacion | •Förgrening..... | | |
| 16 | VOE 3944972 | 1 | | | | •Insulator..... | •Isolateur..... | •Isolator | •Aislador | •Isolator..... | | |
| | VOE 3985597 | 1 | | | | •Guard..... | •Protection..... | •Schutz..... | •Protección | •Skydd..... | | |
| 17 | | 1 | | | | Cable harness..... | Faisceau cables | Kabelbaum | Manojo cables | Ledningsmatta..... | See group 371, Page 255 | |
| 18 | | 1 | | | | Cable harness..... | Faisceau cables | Kabelbaum | Manojo cables | Ledningsmatta..... | AC | |
| 19 | | 1 | | | | Fuse box | Boite a fusibles..... | Sicherungsdose | Caja de fusibles..... | Säkringsdosa..... | See group 371, Page 199 | |
| 20 | VOE 20374157 | 1 | | | | Cap | Chapeau | Kappe..... | Caperuza..... | Lock..... | | |
| 21 | VOE 1307049 | 1 | | | | Pin Housing..... | Fiche Isolante..... | Rundstecker..... | Aislad Clavija..... | Stiftisolator..... | | |
| | | 2 | | | NS | Sealing Plug..... | Tampon Etanche..... | Dichtstopfen | Tapon Obturac | Tättningsplugg..... | | |

| | | | | |
|---|--|----------------------------|----------------|---------|
| 1 | | Ledningsmatta, bakre | Catalogue id | Group |
| 2 | | Manojo de cable, trasero | 20007 | 371 |
| 3 | | Kabelbaum, hinten | Illustr. No | Section |
| 4 | | Faisceau de câble, arrière | 1009347 | 700 |
| 5 | | Cable harness, rear | Issue | Page |
| | | | VOE 63D9920007 | 251 |

VOLVO

L90E



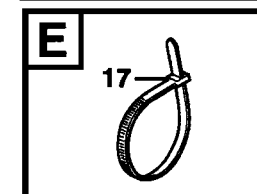
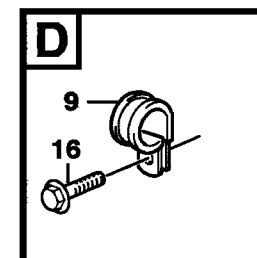
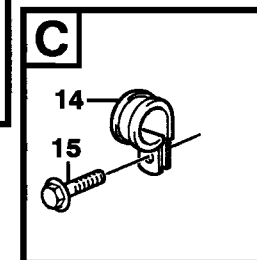
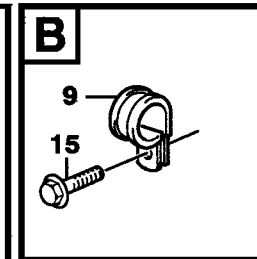
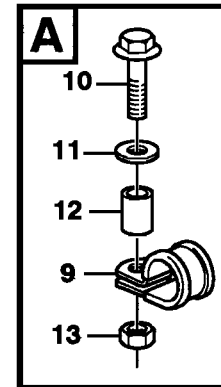
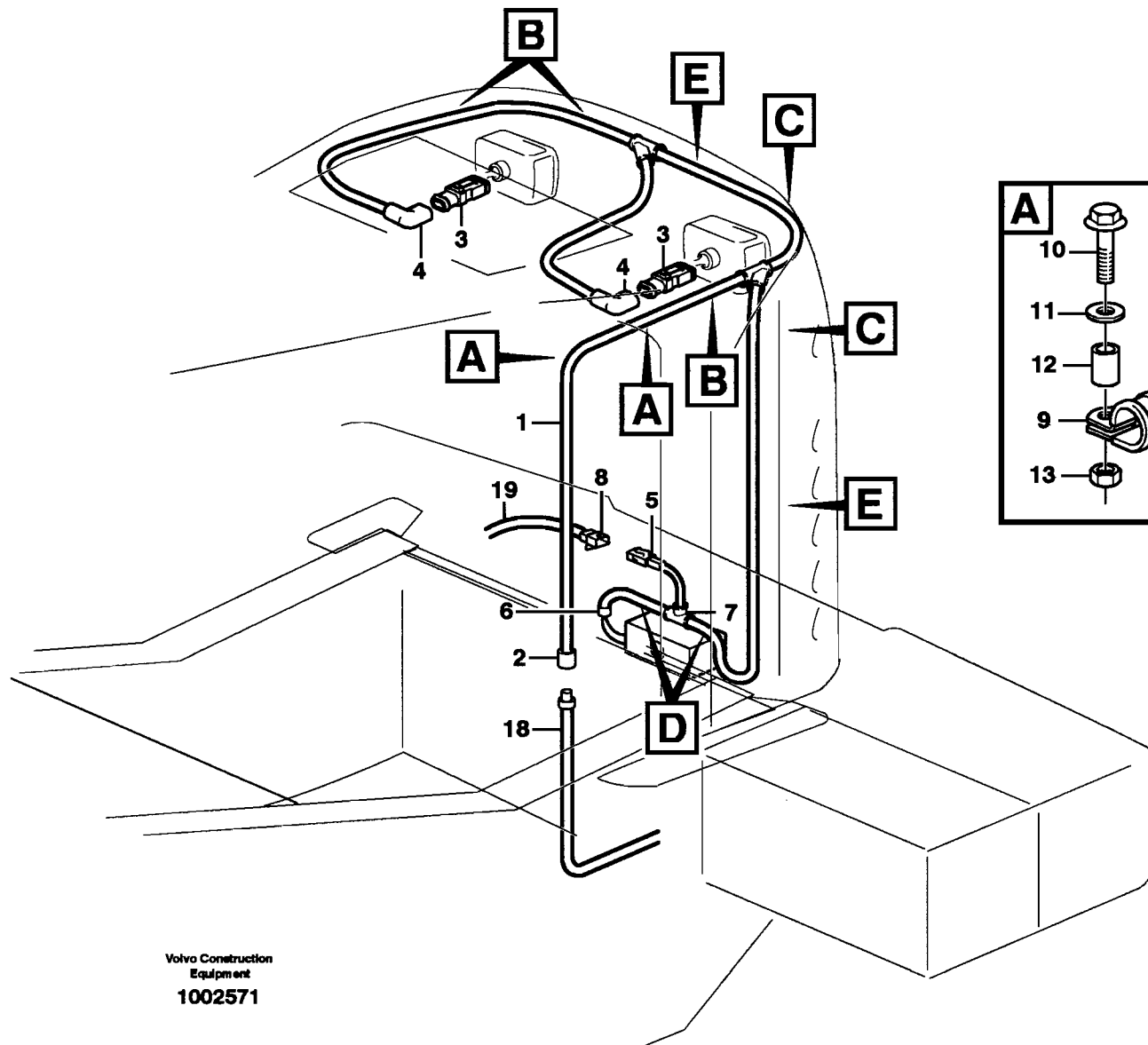
Volvo Construction
Equipment
1009349

| Fig. | Part No. | Quantity | | | P S | K I T | Description | Dénomination | Bezeichnung | Denominación | Benämning | Notes |
|------|--------------|----------|-----|---|--------|-----------------------|--------------------------|-----------------------|------------------------|--------------------|-------------------------|-------|
| | | 1 | 2 | 3 | | | | | | | | |
| 1 | | 1 | 1 | | | Wire harness..... | Faisceau cables | Kabelbaum | Manojo cables | Ledningsmatta..... | See group 371, Page 249 | |
| 2 | VOE 11147868 | 1 | 1 | | | Plastic Nut..... | Ecrou Plastique..... | Plastikmutter | Tuerca Plastica | Plastmutter..... | | |
| 3 | VOE 947107 | 1 | 1 | | | Flange screw..... | Vis à bride | Flanschschraube | Torn embridado..... | Flänsskruv..... | | |
| 4 | VOE 4881438 | 1 | 1 | | | Strip Clamp | Ruban Serrage..... | Kabelbinder | Abraz Cinta | Bandklamma..... | | |
| 5 | VOE 11104606 | 3 | 3 | | | Retaining Strap | Courroi.serrage | Halteriemen..... | Correa Tensora | Spännrem..... | | |
| 6 | VOE 13949997 | 6 | 6 | | | Clamp..... | Pince Serrage | Klemme | Abrazadera..... | Klämma..... | | |
| 7 | VOE 13946173 | 6 | 6 | | | Flange screw..... | Vis à bride | Flanschschraube | Torn embridado..... | Flänsskruv..... | | |
| 8 | VOE 11025709 | 10 | 10 | | | Clamp..... | Pince Serrage | Klemme | Abrazadera..... | Klämma..... | | |
| 9 | VOE 13946173 | 10 | 10 | | | Flange screw..... | Vis à bride | Flanschschraube | Torn embridado..... | Flänsskruv..... | | |
| 10 | VOE 13949888 | 1 | 1 | | | Screw | Vis | Schraube..... | Tornillo | Skruv..... | | |
| 11 | VOE 13977599 | 3 | 3 | | | Clamp..... | Pince Serrage | Klemme | Abrazadera..... | Klämma..... | | |
| 12 | VOE 13946173 | 1 | 1 | | | Flange screw..... | Vis à bride | Flanschschraube | Torn embridado..... | Flänsskruv..... | | |
| 13 | VOE 980614 | 2 | 2 | | | Clamp..... | Pince Serrage | Klemme | Abrazadera..... | Klämma..... | | |
| 14 | VOE 13945444 | 2 | 2 | | | Flange screw..... | Vis à bride | Flanschschraube | Torn embridado..... | Flänsskruv..... | | |
| 15 | VOE 3963413 | 2 | 2 | | | Lock Ring | Anneau Verrouillage .. | Schlossring..... | Anillo Segurid | Låsring..... | | |
| 16 | VOE 3988328 | 1 | 1 | | | Bracket..... | Console..... | Konsole | Ménsula | Konsol..... | | |
| 17 | VOE 946440 | 1 | 1 | | | Flange screw..... | Vis à bride | Flanschschraube | Torn embridado..... | Flänsskruv..... | | |
| 18 | VOE 4881440 | REQ | REQ | | | Strip Clamp | Ruban Serrage..... | Kabelbinder | Abraz Cinta | Bandklamma..... | | |
| 19 | VOE 11173124 | 1 | 1 | | | Bracket..... | Console..... | Konsole | Consola | Konsol..... | | |
| 20 | VOE 13946173 | 2 | 2 | | | Flange screw..... | Vis à bride | Flanschschraube | Torn embridado..... | Flänsskruv..... | | |
| 21 | VOE 13949746 | 2 | 2 | | | Clamp..... | Pince Serrage | Klemme | Abrazadera..... | Klämma..... | | |
| 22 | VOE 13946173 | 2 | 2 | | | Flange screw..... | Vis à bride | Flanschschraube | Torn embridado..... | Flänsskruv..... | | |
| 23 | VOE 4786031 | REQ | | | | Framework moulding . | Baguette claire-voie ... | Kubelstange | Moldura armadura | Skelettlis..... | | |

| | | | | |
|---|-----------|--|----------------|------------|
| 1 | STD | Bakre ledningsmatta med monteringsdetaljer Manojo de cable trasero con accesorios de montaje Kabelbaum hinten mit Anbauteilen Faisceau de câble arrière avec pièces de montage Rear cable harness with assembly parts | Catalogue id | Group |
| 2 | OPEN ROPS | | 20007 | 371 |
| 3 | | | Illustr. No | Section |
| 4 | | | 1009349 | 750 |
| 5 | | | Issue | Page |
| | | VOE 63D9920007 | 253 | |

VOLVO

L90E



Volvo Construction
Equipment
1002571

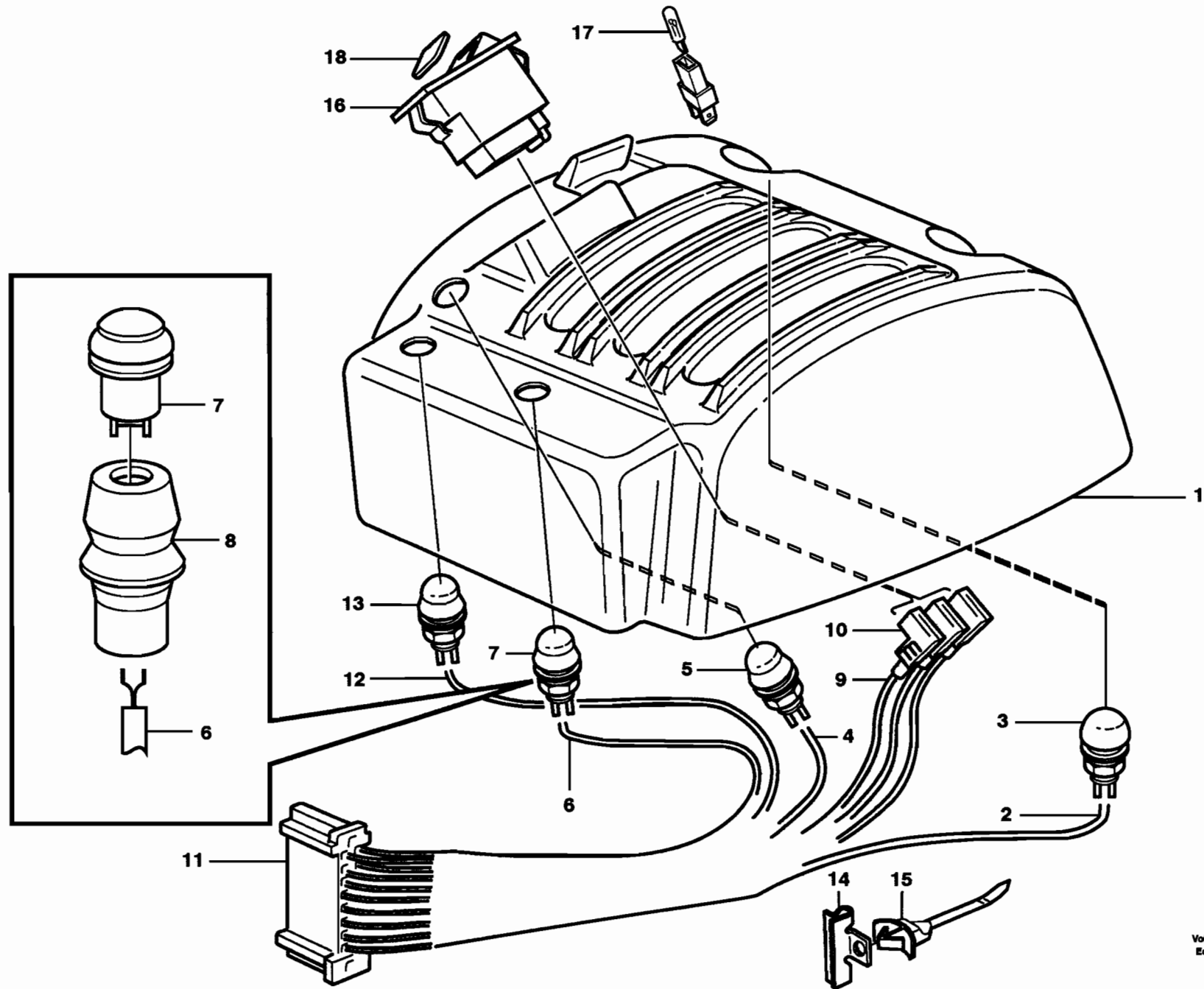
| Fig. | Part No. | Quantity | | | P S | K I T | Description | Dénomination | Bezeichnung | Denominación | Benämning | Notes |
|------|--------------|----------|---|---|--------|-----------------------|------------------------|------------------------|-----------------------------|----------------------|---|-------|
| | | 1 | 2 | 3 | | | | | | | | |
| | | 1 | | | | Radiator Casing | Boiti.radiateur | Kuhlerhaube | Cubiert Radiado | Kylarkåpa | 1245) See group 823, Page 649 | |
| 1 | VOE 11170643 | 1 | | | | •Cable harness | •Faisceau cables | •Kabelbaum | •Manojo cables | •Ledningsmatta | 1245) RZ SA 803 LA320, LA321 RE | |
| | | | | | | ••CONNECTED TO: | ••CONNECTÉ A: | ••ANGESCHLOSSEN: | ••CONECTADO A: | ••ANSLUTER TILL: | | |
| | | | | | | ••Radiator casing | ••Boitier radiateur | ••Kühlerhaube | ••Cubierta radiador | ••Kylarkåpa | | |
| | | | | | | ••B-up Wrn Unit | ••Avertisse.recul | ••Rückfahrwarner | ••Avisador Retroc | ••Backvarnare | | |
| | | | | | | ••Work Lamp | ••Lampe Travail | ••Arbeitslampe | ••Lampara Trabajo | ••Arbetslampan | | |
| | | | | | | ••Sign Lamp | ••Eclairag.plaque | ••Kennzeichenleucht | ••Lampara Letrero | ••Skyltlykta | | |
| 2 | VOE 8159013 | 1 | | | | •Insulator | •Isolateur | •Isolator | •Aislador | •Isolator | | |
| 3 | VOE 14370760 | 2 | | | | •Socket | •Socle | •Steckdose | •Toma De Corrien | •Stickdosa | | |
| 4 | VOE 11170005 | 2 | | | | •Adapter | •Raccord Reduct. | •Verbind Stutzen | •Adaptador | •Adapter | | |
| 5 | VOE 1624477 | 1 | | | | •Rcpt Housing | •Douille Isolan. | •Steckbuchse | •Aislador Mangui | •Hylsisolator | | |
| | VOE 1095059 | 1 | | | | •Joint Nipple | •Raccord | •Verbind Nippel | •Niple Union | •Skarvniappel | | |
| 6 | VOE 11039397 | 1 | | | | •End Sleeve | •Douille Extrem. | •Aderendhülse | •Manguito Final | •Ändhylsa | | |
| 7 | VOE 11039709 | 1 | | | | •Manifold | •Tubulure | •Verzweigung | •Bifurcacion | •Förgrening | | |
| 8 | VOE 1307049 | 1 | | | | •Pin Housing | •Fiche Isolante | •Rundstecker | •Aislad Clavija | •Stiftisolator | | |
| 9 | VOE 13949746 | 7 | | | | •Clamp | •Pince Serrage | •Klemme | •Abrazadera | •Klämma | | |
| 10 | VOE 13965179 | 2 | | | | •Flange screw | •Vis à bride | •Flanschschraube | •Torn embridado | •Flänsskruv | | |
| 11 | VOE 13960141 | 2 | | | | •Washer | •Rondelle | •Scheibe | •Arandela | •Bricka | | |
| 12 | VOE 11174533 | 2 | | | | •Spacer | •Entretoise | •Abstandstueck | •Casquillo distanciad | •Distans | | |
| 13 | VOE 13945408 | 2 | | | | •Nut | •Ecrou | •Mutter | •Tuerca | •Mutter | | |
| 14 | VOE 13977599 | 2 | | | | •Clamp | •Pince Serrage | •Klemme | •Abrazadera | •Klämma | | |
| 15 | VOE 946671 | 5 | | | | •Flange screw | •Vis à bride | •Flanschschraube | •Torn embridado | •Flänsskruv | | |
| 16 | VOE 13946173 | 2 | | | | •Flange screw | •Vis à bride | •Flanschschraube | •Torn embridado | •Flänsskruv | | |
| 17 | VOE 4881440 | 5 | | | | •Strip Clamp | •Ruban Serrage | •Kabelbinder | •Abraz Cinta | •Bandklamma | | |
| 18 | | 1 | | | | Cable harness | Faisceau cables | Kabelbaum | Manojo cables | Ledningsmatta | See group 371, Page 249 | |
| 19 | | 1 | | | | Cable harness | Faisceau cables | Kabelbaum | Manojo cables | Ledningsmatta | Number plate | |

1245) GB: Including parts: Wire assembly, hose, manifold, cable terminal and isolator See Group 379. FR: Article: cable, flexible, tubulure, cosse cable y isolant. See Group 379 DE: Artikeln: El leitung, Schlauch, Verzweigung, Kabelschuh und Isolator. See Group 379. ES: Artículo: cable, manguera, bifurcacion, terminal cable et aislador. See Group 379. SE: Artiklar: ledning, slang, förgrening, ledningssko och isolator. See Group 379

| | | | | |
|---|--|-------------------------------|----------------|---------|
| 1 | | Ledningsmatta, kylare | Catalogue id | Group |
| 2 | | Manojo de cable, radiador | 20007 | 371 |
| 3 | | Kabelbaum, Kühler | Illustr. No | Section |
| 4 | | Faisceau de câbles, radiateur | 1002571 | 800 |
| 5 | | Cable harness, radiator | Issue | Page |
| | | STD, OPEN ROPS | VOE 63D9920007 | 255 |

VOLVO

L90E

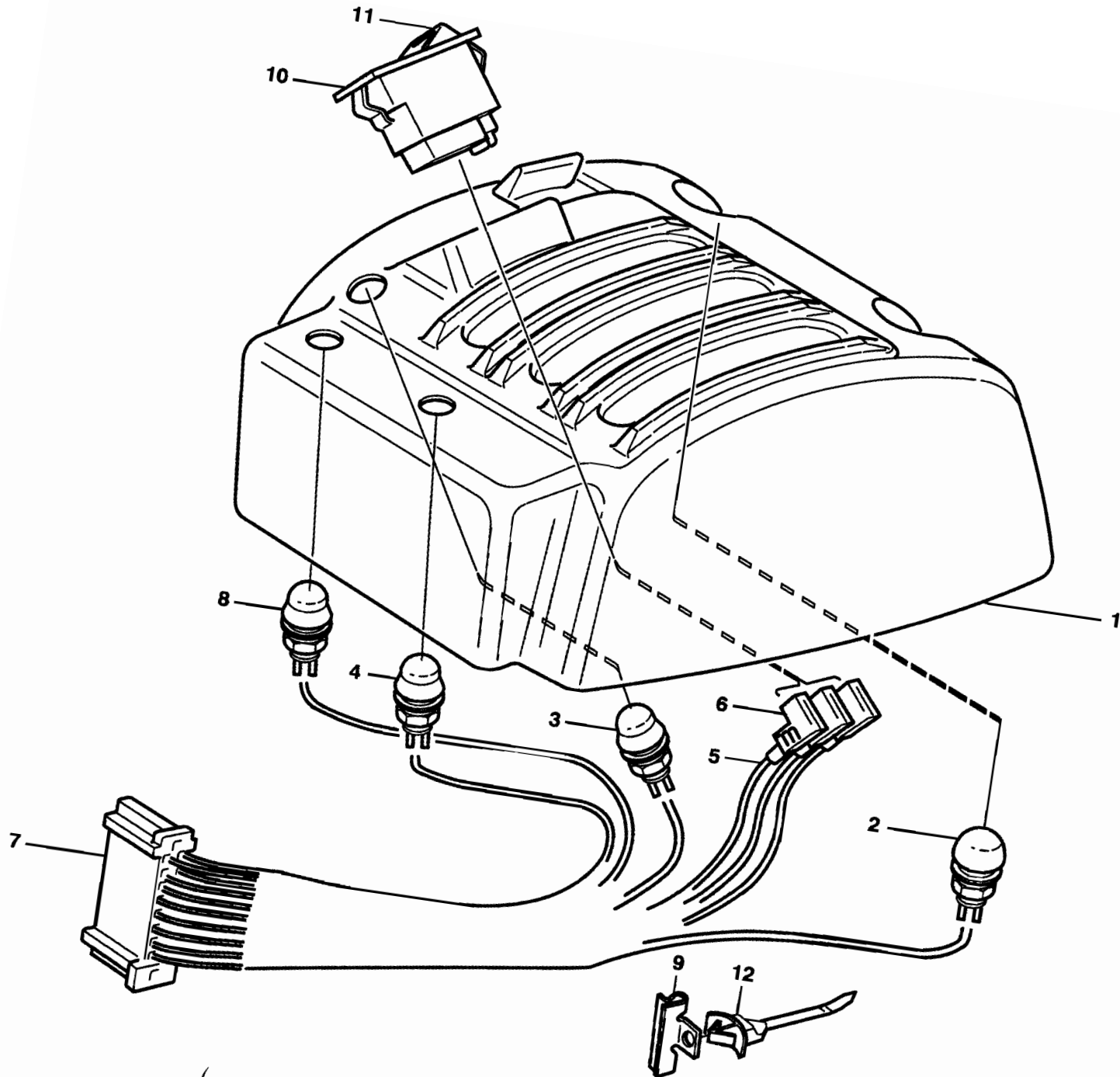


| Fig. | Part No. | Quantity | | | P S | K I T | Description | Dénomination | Bezeichnung | Denominación | Benämning | Notes |
|------|--------------|----------|---|---|--------|---------------------|-----------------------|-------------------|---------------------|----------------------|-----------|-------|
| | | 1 | 2 | 3 | | | | | | | | |
| | | 1 | | | NS | Casing..... | Boitier..... | Gehäuse..... | Cubierta..... | Kápa..... | | |
| | | | 1 | | NS | Casing..... | Boitier..... | Gehäuse..... | Cubierta..... | Kápa..... | | |
| 1 | VOE 11006225 | 1 | | | | •Casing..... | •Boitier..... | •Gehäuse..... | •Cubierta..... | •Kápa..... | | |
| | VOE 11006226 | | 1 | | | •Casing..... | •Boitier..... | •Gehäuse..... | •Cubierta..... | •Kápa..... | | |
| 2 | VOE 11170674 | 1 | 1 | | | •Cable harness..... | •Faisceau cables..... | •Kabelbaum..... | •Manojo cables..... | •Ledningsmatta..... | SW403 | |
| 3 | VOE 11039681 | 1 | 1 | | | ••Switch..... | ••Commutateur..... | ••Schalter..... | ••Contactor..... | ••Strömställare..... | | |
| 4 | VOE 11170677 | 1 | 1 | | | •Cable harness..... | •Faisceau cables..... | •Kabelbaum..... | •Manojo cables..... | •Ledningsmatta..... | SW406 | |
| 5 | VOE 11039681 | 1 | 1 | | | ••Switch..... | ••Commutateur..... | ••Schalter..... | ••Contactor..... | ••Strömställare..... | | |
| 6 | VOE 11170676 | 1 | 1 | | | •Cable harness..... | •Faisceau cables..... | •Kabelbaum..... | •Manojo cables..... | •Ledningsmatta..... | SW405 | |
| 7 | VOE 11039681 | 1 | 1 | | | ••Switch..... | ••Commutateur..... | ••Schalter..... | ••Contactor..... | ••Strömställare..... | | |
| 8 | VOE 11104727 | 1 | 1 | | | ••Anchorage..... | ••Fixation..... | ••Halterung..... | ••Fijacion..... | ••Fäste..... | | |
| 9 | VOE 11041399 | 1 | 1 | | | •Cable harness..... | •Faisceau cables..... | •Kabelbaum..... | •Manojo cables..... | •Ledningsmatta..... | SW404 | |
| 10 | VOE 13944221 | 3 | 3 | | | ••Housing..... | ••Isolant..... | ••Isolator..... | ••Aislador..... | ••Isolator..... | | |
| 11 | VOE 1096615 | 1 | 1 | | | ••Insulator..... | ••Isolateur..... | ••Isolator..... | ••Aislador..... | ••Isolator..... | | |
| 12 | VOE 11170678 | 1 | 1 | | | •Cable harness..... | •Faisceau cables..... | •Kabelbaum..... | •Manojo cables..... | •Ledningsmatta..... | SW802 | |
| 13 | VOE 11039681 | 1 | 1 | | | ••Switch..... | ••Commutateur..... | ••Schalter..... | ••Contactor..... | ••Strömställare..... | | |
| 14 | VOE 11039688 | 3 | 3 | | | •Clip..... | •Clip..... | •Klemme..... | •Clip..... | •Clips..... | | |
| 15 | VOE 11039689 | 3 | 3 | | | •Strip Clamp..... | •Ruban Serrage..... | •Kabelbinder..... | •Abraz Cinta..... | •Bandklamma..... | | |
| 16 | VOE 11039439 | 1 | 1 | | | •Switch..... | •Commutateur..... | •Schalter..... | •Contactor..... | •Strömställare..... | SW404 | |
| 17 | VOE 11997242 | 1 | 1 | | | ••Bulb..... | ••Ampoule..... | ••Glühlampe..... | ••Ampolla..... | ••Glödlampa..... | | |
| 18 | VOE 4803548 | 1 | 1 | | | •Lens..... | •Lentille..... | •Linse..... | •Lente..... | •Lins..... | | |

| | | | | |
|---|-------|---|--------------|------------|
| 1 | 33278 | Ledningsmattor, servoventil. Haces de cables, servoválvula. Kabelbäume, Servoventil. Faisceau de câbles, servo-distributeur. Cable harnesses, servo valve. | Catalogue id | Group |
| 2 | 82050 | | 20007 | 371 |
| 3 | | | Illustr. No | Section |
| 4 | | | EK199 | 850 |
| 5 | | | Issue | Page |
| | | VOE 63D9920007 | 257 | |

VOLVO

L90E



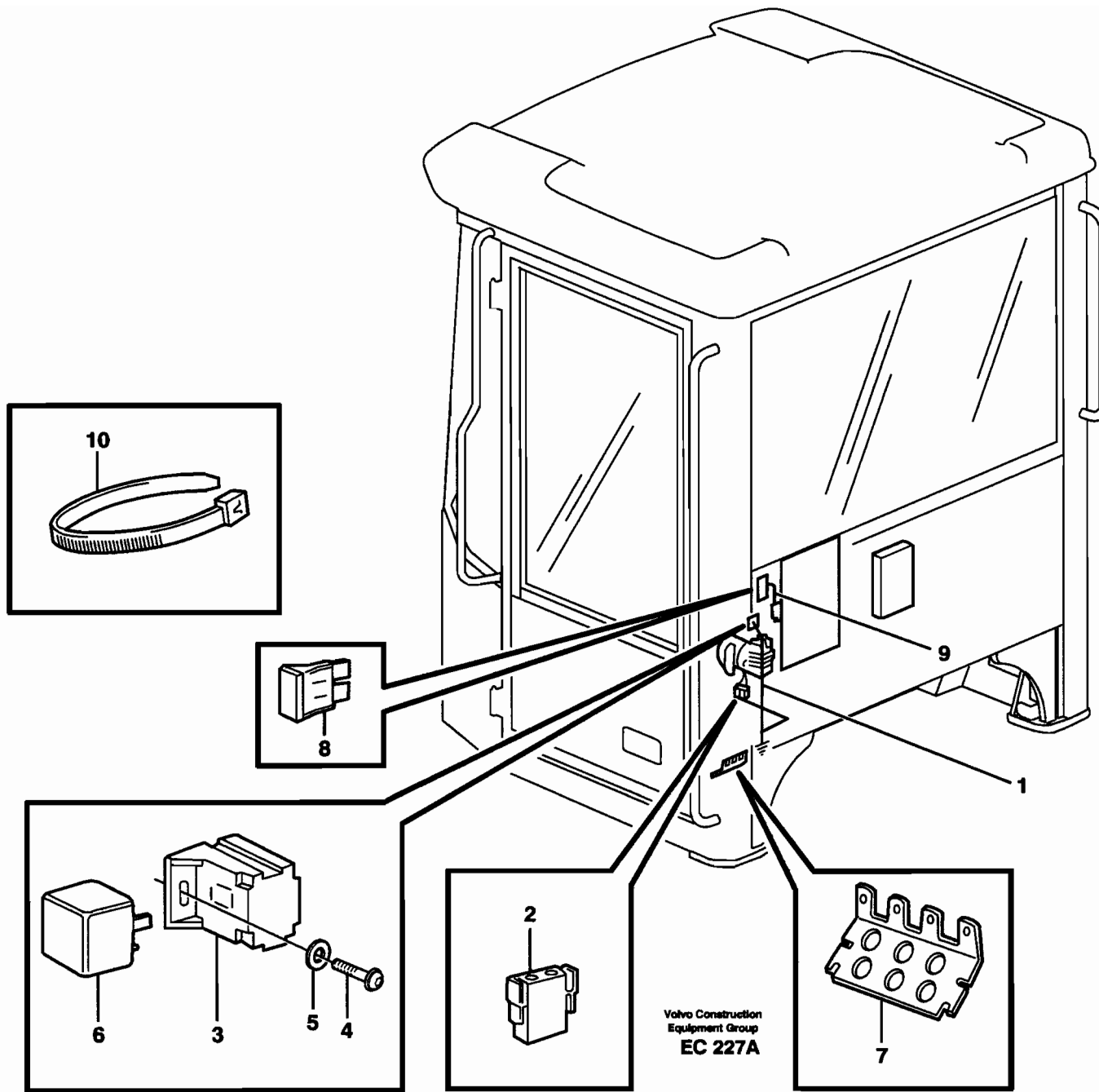
Volvo Construction
Equipment
1009671

| Fig. | Part No. | Quantity | | | P S | K I T | Description | Dénomination | Bezeichnung | Denominación | Benämning | Notes |
|------|--------------|----------|---|---|--------|-------------|----------------------|-----------------------|-------------------|---------------------|----------------------|-------|
| | | 1 | 2 | 3 | | | | | | | | |
| | | 1 | | | | NS | Cover | Capot | Haube..... | Capo..... | Huv..... | |
| 1 | VOE 11006225 | 1 | | | | | •Casing | •Boitier..... | •Gehäuse | •Cubierta | •Kåpa..... | |
| 2 | VOE 11040800 | 1 | | | | | •Switch | •Commutateur | •Schalter..... | •Contactor | •Strömställare | |
| 3 | VOE 11040802 | 1 | | | | | •Switch | •Commutateur | •Schalter..... | •Contactor | •Strömställare | |
| 4 | VOE 11040801 | 1 | | | | | •Switch | •Commutateur | •Schalter..... | •Contactor | •Strömställare | |
| 5 | VOE 11041399 | 1 | | | | | •Cable harness | •Faisceau cables..... | •Kabelbaum..... | •Manojo cables..... | •Ledningsmatta..... | |
| 6 | VOE 13944221 | 3 | | | | | ••Housing | ••Isolant..... | ••Isolator..... | ••Aislador..... | ••Isolator..... | |
| 7 | VOE 1096615 | 1 | | | | | ••Insulator..... | ••Isolateur..... | ••Isolator..... | ••Aislador..... | ••Isolator..... | |
| 8 | VOE 11170995 | 1 | | | | | •Switch | •Commutateur | •Schalter..... | •Commutador | •Omkopplare..... | |
| 9 | VOE 11039688 | 3 | | | | | •Clip | •Clip..... | •Klemme..... | •Clip..... | •Clips..... | |
| 10 | VOE 11039813 | 1 | | | | | •Switch | •Commutateur | •Schalter..... | •Contactor | •Strömställare | |
| 11 | VOE 11039831 | 1 | | | | | •Rocker Arm..... | •Culbuteur | •Kipphebel..... | •Balancin | •Vipparm..... | |
| 12 | VOE 11039689 | 3 | | | | | •Strip Clamp..... | •Ruban Serrage | •Kabelbinder..... | •Abraz Cinta | •Bandklamma..... | |

| | | | | |
|---|--|---|----------------|---------|
| 1 | | Ledningsmattor, servoventil. | Catalogue id | Group |
| 2 | | Haces de cables, servoválvula. | 20007 | 371 |
| 3 | | Kabelbäume, Servoventil. | Illustr. No | Section |
| 4 | | Faisceau de câbles, servo-distributeur. | 1009671 | 875 |
| 5 | | Cable harnesses, servo valve. | Issue | Page |
| | | OPEN ROPS | VOE 63D9920007 | 259 |

VOLVO

L90E



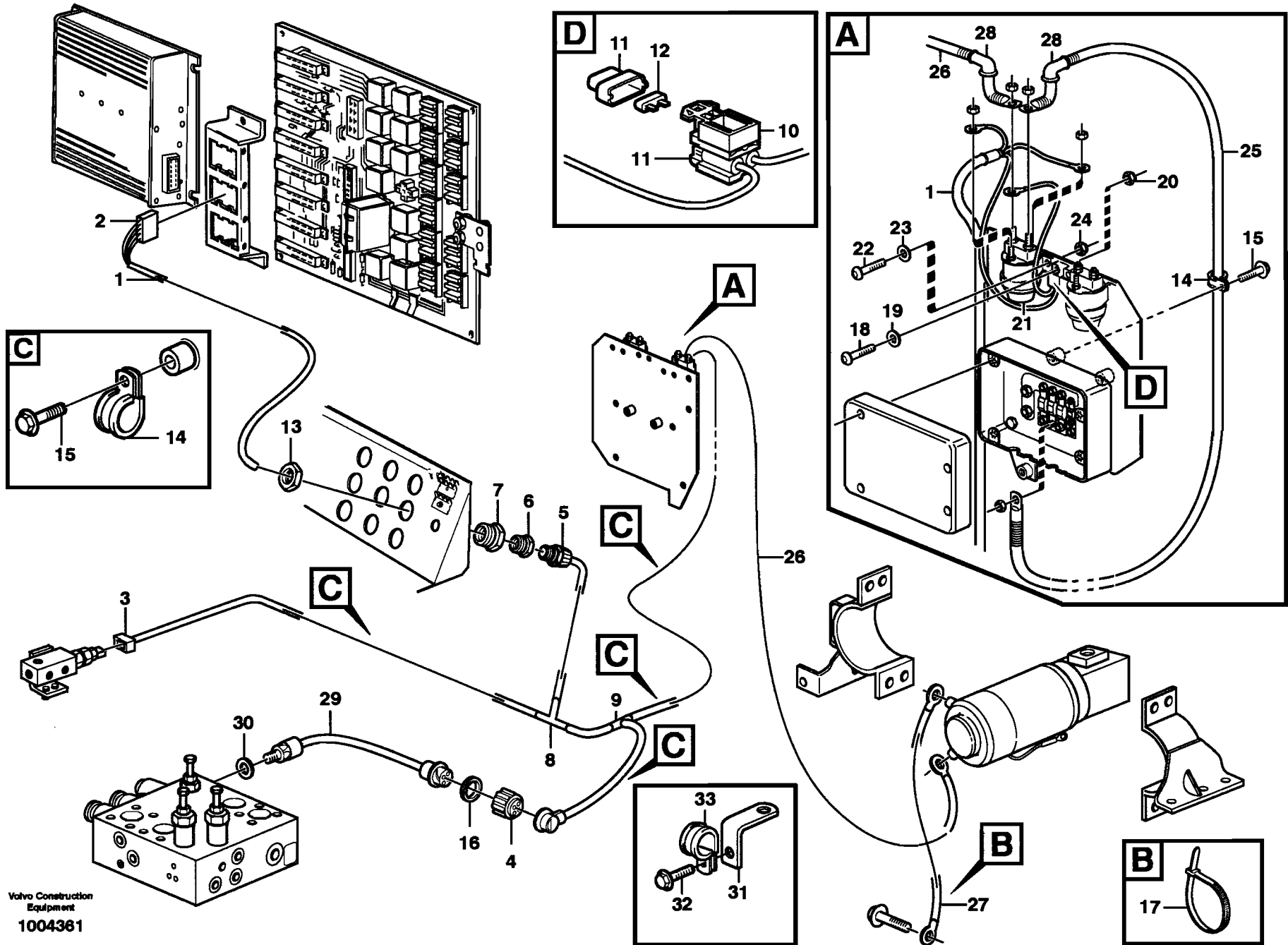
| Fig. | Part No. | Quantity | | | P S | K I T | Description | Dénomination | Bezeichnung | Denominación | Benämning | Notes |
|------|--------------|----------|---|---|--------|-------------|---------------------|----------------------|-----------------------|-----------------------|---------------------|--------------------|
| | | 1 | 2 | 3 | | | | | | | | |
| 1 | VOE 11040658 | 1 | | | | | Cable harness..... | Faisceau cables..... | Kabelbaum..... | Manojo cables..... | Ledningsmatta..... | 1245) |
| 2 | VOE 13948996 | 1 | | | | | •Insulator..... | •Isolateur..... | •Isolator..... | •Aislador..... | •Isolator..... | |
| 3 | VOE 977184 | 1 | | | | | •Insulator..... | •Isolateur..... | •Isolator..... | •Aislador..... | •Isolator..... | |
| 4 | VOE 13969278 | 1 | | | | | Screw..... | Vis..... | Schraube..... | Tornillo..... | Skruv..... | |
| 5 | VOE 13940090 | 1 | | | | | Washer..... | Rondelle..... | Scheibe..... | Arandela..... | Bricka..... | |
| 6 | VOE 20374662 | 1 | | | | | Relay..... | Relais..... | Relais..... | Rele..... | Relä..... | RE803 |
| 7 | VOE 9148415 | 1 | | | | | Terminal block..... | Bloc connexion..... | Steckterminal..... | Regleta conexión..... | Kopplingsplint..... | EXCL |
| 8 | VOE 969161 | 1 | | | | | Fuse..... | Fusible..... | Schmelzsicherung..... | Fusible..... | Smältsäkring..... | (VOE 13967545) 10A |
| | VOE 13969160 | 1 | | | | | Fuse..... | Fusible..... | Schmelzsicherung..... | Fusible..... | Smältsäkring..... | (VOE 967851) 5A |
| 9 | VOE 11041913 | 1 | | | | | Wire..... | Cable..... | Leitung..... | Cable..... | Ledning..... | |
| 10 | VOE 4881438 | REQ | | | | | Strip Clamp..... | Ruban Serrage..... | Kabelbinder..... | Abraz Cinta..... | Bandklamma..... | |

1245) GB: Including parts: Wire assembly, hose, manifold, cable terminal and isolator See Group 379. FR: Article: cable, flexible, tubulure, cosse cable y isolant. See Group 379 DE: Artikeln: El leitung, Schlauch, Verzweigung, Kabelschuh und Isolator. See Group 379. ES: Articulo: cable, manguera, bifurcacion, terminal cable et aislador. See Group 379. SE: Artiklar: ledning, slang, förgrening, ledningssko och isolator. See Group 379

| | | | |
|---|---|-----------------------|------------|
| 1 | Ledningsmatta, luftfjädrande förarstol Manojo de cables, asiento del conductor de suspensión neumática Kabelbaum, luftfederterfahrsitz Faisceau de câbles, siège de conducteur suspension pneumatique Cable harness, air-suspension seat | Catalogue id | Group |
| 2 | | 20007 | 371 |
| 3 | | Illustr. No | Section |
| 4 | | EC227A | 900 |
| 5 | | Issue | Page |
| | 80506, 80572, 94909 | VOE 63D9920007 | 261 |

VOLVO

L90E

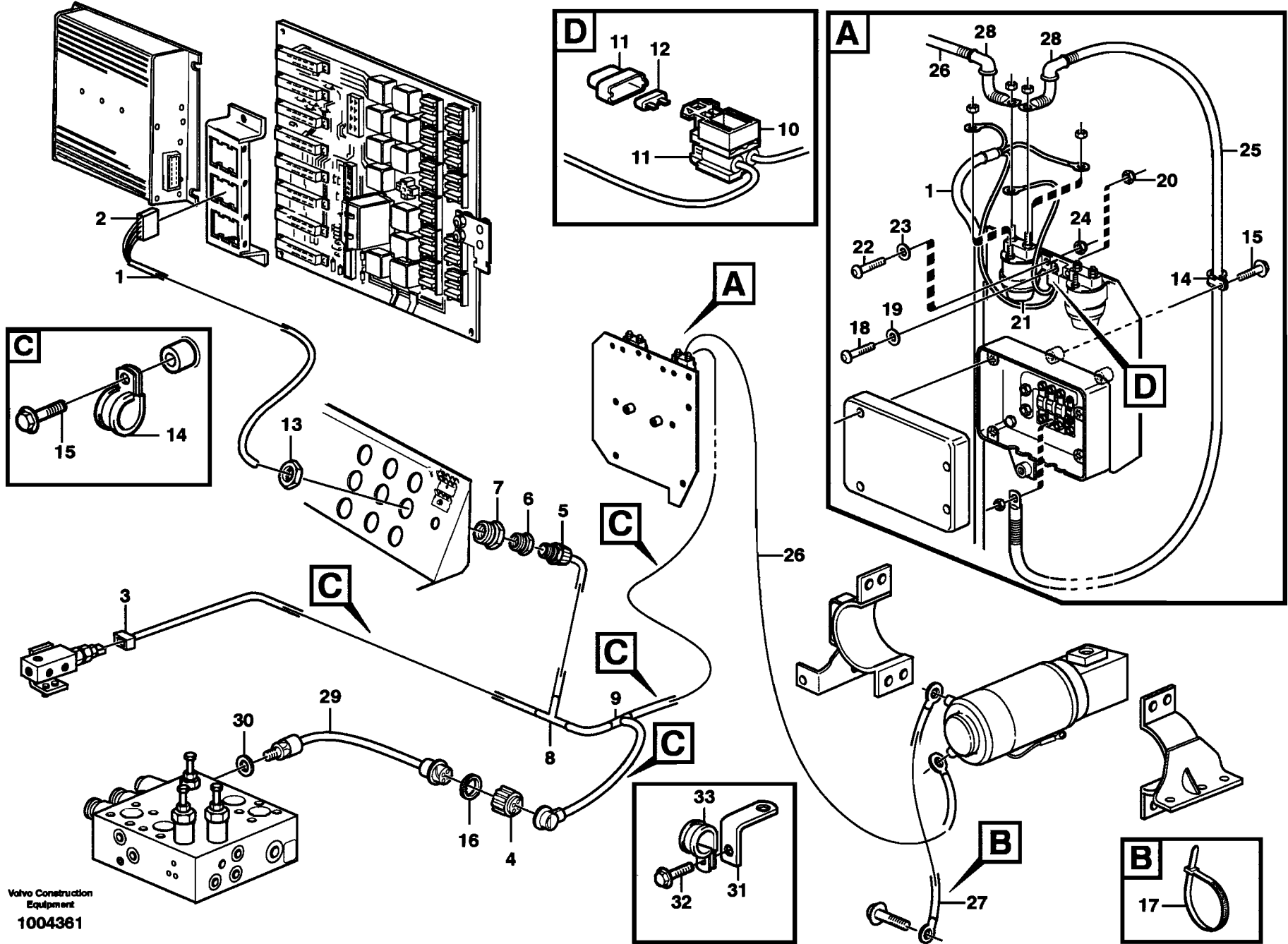


Valvo Construction
Equipment
1004361

| Fig. | Part No. | Quantity | | | P S | K I T | Description | Dénomination | Bezeichnung | Denominación | Benämning | Notes |
|------|--------------|----------|---|---|--------|-------------|--|---|---|--------------|--|-------|
| | | 1 | 2 | 3 | | | | | | | | |
| 1 | VOE 11170890 | 1 | | | | | Cable harness..... Faisceau cables..... Kabelbaum..... Manojos cables..... Ledningsmatta..... | •CONNECTED TO: •CONNECTÉ A: •ANGESCHLOSSEN: •CONECTADO A: •ANSLUTER TILL: | | | 1245) | |
| | | | | | | | •El Distr Unit •Centrale Elect •Elektrozentrale •Central Electr •Elcentral | •Capteu.pression •Relais •Druckwächter •Avisador pres •Tryckvakt | •Relais •Relais •Sicherungshalter •Portafusibles •Säkringshållare | | OA SE 601, SE 602 RE 601 FH 3 | |
| 2 | VOE 1096619 | 1 | | | | | •Insulator..... •Isolateur..... •Isolator..... •Aislador..... •Isolator..... | | | | | |
| 3 | VOE 1624477 | 1 | | | | | •Rcpt Housing..... •Douille Isolan..... •Steckbuchse..... •Aislador Mangui..... •Hylisolator..... | | | | | |
| 4 | VOE 8159013 | 1 | | | | | •Insulator..... •Isolateur..... •Isolator..... •Aislador..... •Isolator..... | | | | | |
| 5 | VOE 4803765 | 1 | | | | | •Hose Coupling..... •Raccor.flexible..... •Schlauchkupplg..... •Acoplam Manguer..... •Slangkoppling..... | | | | | |
| 6 | VOE 11039099 | 1 | | | | | •Reduction..... •Reduction..... •Reduzierung..... •Reduccion..... •Reducering..... | | | | | |
| 7 | VOE 4803795 | 1 | | | | | •Reduction..... •Reduction..... •Reduzierung..... •Reduccion..... •Reducering..... | | | | | |
| 8 | VOE 14346331 | 1 | | | | | •Manifold..... •Tubulure..... •Verzweigung..... •Bifurcacion..... •Förgrening..... | | | | | |
| 9 | | 1 | | | NS | | •Manifold..... •Tubulure..... •Verzweigung..... •Bifurcacion..... •Förgrening..... | | | | | |
| 10 | VOE 11039713 | 1 | | | | | •Bracket..... •Console..... •Konsole..... •Consola..... •Konsol..... | | | | | |
| 11 | VOE 11039714 | 1 | | | | | •Fuse Holder..... •Porte fusible..... •Sicherungshalter..... •Porta-fusible..... •Säkringshållare..... | | | | | |
| 12 | VOE 13969160 | 1 | | | | | •Fuse..... •Fusible..... •Schmelzsicherung..... •Fusible..... •Smältsäkring..... | | | | 5A | |
| 13 | VOE 11147868 | 1 | | | | | Plastic Nut..... Ecrou Plastique..... Plastikmutter..... Tuerca Plastica..... Plastmutter..... | | | | | |
| 14 | VOE 980614 | REQ | | | | | Clamp..... Pince Serrage..... Klemme..... Abrazadera..... Klämna..... | | | | | |
| 15 | VOE 13946173 | REQ | | | | | Flange screw..... Vis à bride..... Flanschschraube..... Torn embridado..... Flänskruv..... | | | | | |
| 16 | VOE 3963413 | 1 | | | | | Lock Ring..... Anneau Verrouillage..... Schlossring..... Anillo Segurid..... Låsring..... | | | | | |
| 17 | VOE 4881440 | REQ | | | | | Strip Clamp..... Ruban Serrage..... Kabelbinder..... Abraz Cinta..... Bandklamma..... | | | | | |
| 18 | VOE 969407 | 2 | | | | | 6-pt skt screw..... Vis creuse de 6..... Hohlschraube..... Racor 6-dientes..... Sextandhålskruv..... | | | | | |
| 19 | VOE 13960138 | 2 | | | | | Washer..... Rondelle..... Scheibe..... Arandela..... Bricka..... | | | | | |
| 20 | VOE 13949874 | 1 | | | | | Flange Lock Nut..... Contre écrou bride..... Flanschmutter..... Contratuer Embr..... Flänslåsmutter..... | | | | | |
| 21 | VOE 20367490 | 1 | | | | | Relay..... Relais..... Relais..... Rele..... Relä..... | | | | RE601 | |
| 22 | VOE 969407 | 2 | | | | | 6-pt skt screw..... Vis creuse de 6..... Hohlschraube..... Racor 6-dientes..... Sextandhålskruv..... | | | | | |

1245) **GB:** Including parts: Wire assembly, hose, manifold, cable terminal and isulator See Group 379. **FR:** Article: cable, flexible, tubulure, cosse cable y isolant. See Group 379 **DE:** Artikeln: El leitung, Schlauch, Verzweigung, Kabelschuh und Isolator. See Group 379. **ES:** Articulo: cable, manguera, bifurcacion, terminal cable et aislador. See Group 379. **SE:** Artiklar: ledning, slang, förgrening, ledningssko och isolator. See Group 379

| | | | | |
|---|--|---|-----------------------|------------|
| 1 | | Ledningsmatta, reservstyrning. | Catalogue id | Group |
| 2 | | Manojos de cables, equipo de dirección de reserva. | 20007 | 371 |
| 3 | | Kabelbäume, Hilfslenkung. | Illustr. No | Section |
| 4 | | Faisceau de câbles, direction de secours. | 1004361 | 950 |
| 5 | | Cable harness, secondary steering system. | Issue | Page |
| | | 80932 | VOE 63D9920007 | 263 |



Valvo Construction
Equipment
1004361

| Fig. | Part No. | Quantity | | | P S | K I T | Description | Dénomination | Bezeichnung | Denominación | Benämning | Notes |
|------|--------------|----------|---|---|--------|----------------------|---------------------------|----------------------|----------------------------|---------------------|-----------------------|-------|
| | | 1 | 2 | 3 | | | | | | | | |
| 23 | VOE 13960138 | 4 | | | | Washer..... | Rondelle..... | Scheibe..... | Arandela..... | Bricka..... | | |
| 24 | VOE 13949874 | 2 | | | | Flange Lock Nut..... | Contre écrou bride..... | Flanschmutter..... | Contratuer Embr..... | Flänslåsmutter..... | | |
| 25 | VOE 11170527 | 1 | | | | Wire..... | Cable..... | Leitung..... | Cable..... | Ledning..... | 1245) , FU71 - RE601 | |
| 26 | VOE 11132312 | 1 | | | | Wire Assembly..... | Cable..... | Leitung..... | Cable..... | Ledning..... | 1245) , RE601 - MO601 | |
| 27 | VOE 11108119 | 1 | | | | Wire Assembly..... | Cable..... | Leitung..... | Cable..... | Ledning..... | 1245) , EARTH - JORD | |
| 28 | VOE 241308 | 2 | | | | Protective cap..... | Capuchon de protecti..... | Schutzkappe..... | Cubierta de protecció..... | Skyddshatt..... | | |
| 29 | VOE 11170079 | 1 | | | | Press Monitor..... | Capteur pression..... | Druckwächter..... | Avisador Pres..... | Tryckvakt..... | SE 602 | |
| 30 | VOE 13945653 | 1 | | | | Plane Gasket..... | Joint Plan..... | Flachdichtung..... | Junta Plana..... | Planpackning..... | | |
| 31 | VOE 11024650 | 1 | | | | Angle Plate..... | Tole Angulaire..... | Winkelblech..... | Placa Angular..... | Vinkelplåt..... | | |
| 32 | VOE 13946173 | 1 | | | | Flange screw..... | Vis à bride..... | Flanschschraube..... | Torn embridado..... | Flänskruv..... | | |
| 33 | VOE 13949997 | 1 | | | | Clamp..... | Pince Serrage..... | Klemme..... | Abrazadera..... | Klämma..... | | |

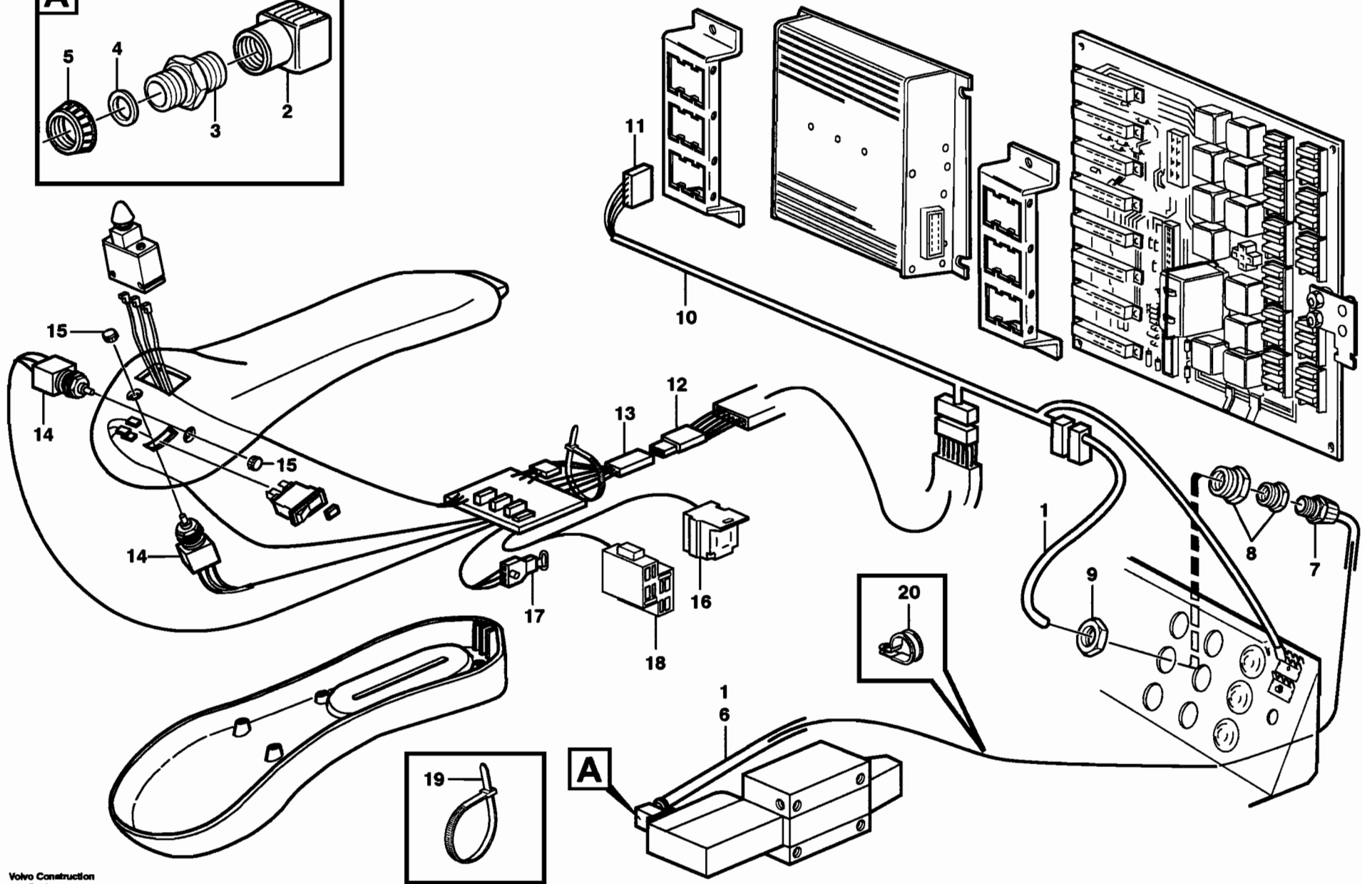
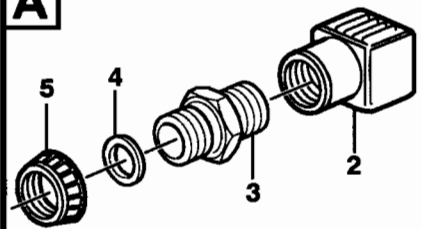
1245) GB: Including parts: Wire assembly, hose, manifold, cable terminal and isolator See Group 379. FR: Article: cable, flexible, tubulure, cosse cable y isolant. See Group 379 DE: Artikeln: El leitung, Schlauch, Verzweigung, Kabelschuh und Isolator. See Group 379. ES: Articulo: cable, manguera, bifurcacion, terminal cable et aislador. See Group 379. SE: Artiklar: ledning, slang, förgrening, ledningssko och isolator. See Group 379

| | | | |
|---|---|-----------------------|------------|
| 1 | Ledningsmatta, reservstyrning. Manojo de cables, equipo de dirección de reserva. Kabelbäume, Hilfslenkung. Faisceau de câbles, direction de secours. Cable harness, secondary steering system. 80932 | Catalogue id | Group |
| 2 | | 20007 | 371 |
| 3 | | Illustr. No | Section |
| 4 | | 1004361 | 950 |
| 5 | | Issue | Page |
| | | VOE 63D9920007 | 265 |

VOLVO

L90E

A



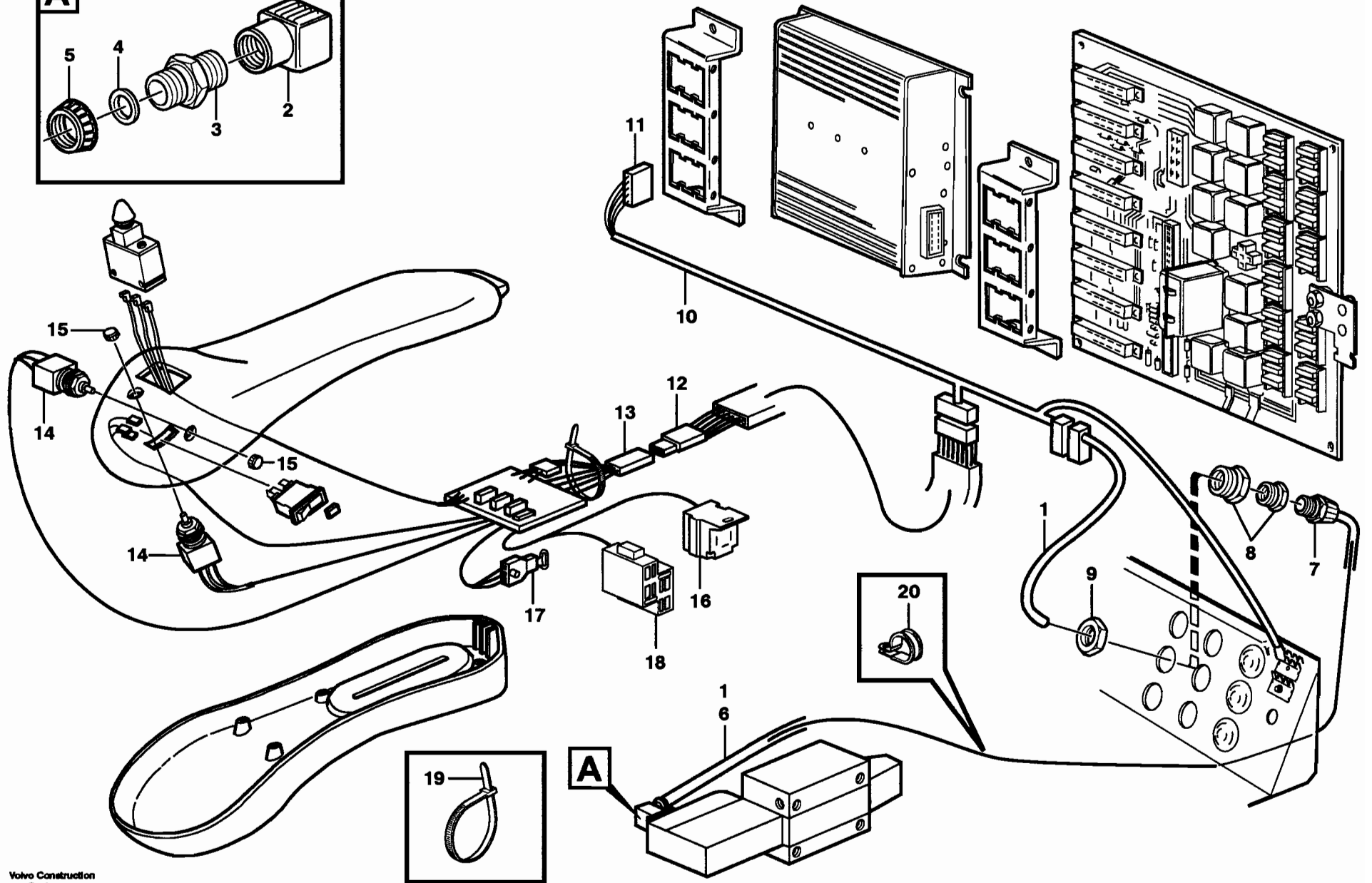
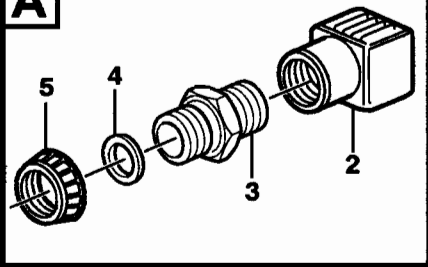
Volvo Construction
Equipment
1001215

| Fig. | Part No. | Quantity | | | P S | K I T | Description | Dénomination | Bezeichnung | Denominación | Benämning | Notes |
|------|--------------|----------|---|---|--------|------------------------|-------------------------|------------------------|------------------------|------------------------|-------------------|-------|
| | | 1 | 2 | 3 | | | | | | | | |
| 1 | VOE 11170501 | 1 | | | | Cable harness..... | Faisceau cables | Kabelbaum | Manojo cables | Ledningsmatta..... | 1245) S/N - 20698 | |
| | VOE 11170940 | 1 | | | | Cable harness..... | Faisceau cables | Kabelbaum | Manojo cables | Ledningsmatta..... | S/N 20699 - | |
| | | | | | | •CONNECTED TO:..... | •CONNECTÉ A: | •ANGESCHLOSSEN:..... | •CONECTADO A:..... | •ANSLUTER TILL:..... | | |
| | | | | | | •Solenoid valve | •Valve solenoide | •Solenoid Ventil..... | •Válvula solenoid..... | •Proport.ventil..... | MA601 | |
| | | | | | | •Coupling Piece | •Accouplement..... | •Leit Verbinder | •Pieza Conexion..... | •Kopplingsstycke..... | OD | |
| 2 | VOE 6646637 | 1 | | | | •Switch Housing | •Boitier Contact | •Kontaktgehäuse | •Caja Contacto | •Kontaktus..... | | |
| 3 | | 1 | | | NS | •Hose coupling | •Raccor.flexible | •Schlauchkupplg..... | •Acoplam manguer..... | •Slangkoppling..... | | |
| 4 | VOE 11039262 | 1 | | | | •Sealing ring..... | •Bague d'étanchéité ... | •Runddichtring..... | •Anillo reten | •Tätningring..... | | |
| 5 | VOE 4803794 | 1 | | | | •Nut | •Ecrou | •Mutter..... | •Tuerca | •Mutter..... | | |
| 6 | VOE 4803746 | REQ | | | | •Hose | •Durit | •Schlauch | •Tubo flexible..... | •Slang..... | L = 1100 MM | |
| 7 | VOE 4803765 | 1 | | | | •Hose Coupling | •Raccor.flexible | •Schlauchkupplg..... | •Acoplam Manguer..... | •Slangkoppling..... | | |
| 8 | VOE 11039099 | 1 | | | | •Reduction | •Reduction..... | •Reduzierung..... | •Reduccion | •Reducering..... | | |
| | VOE 4803795 | 1 | | | | •Reduction | •Reduction..... | •Reduzierung..... | •Reduccion | •Reducering..... | | |
| 9 | VOE 11147868 | 1 | | | | Plastic Nut..... | Ecrou Plastique..... | Plastikmutter | Tuerca Plastica | Plastmutter..... | | |
| 10 | VOE 11040513 | 1 | | | | Cable harness..... | Faisceau cables | Kabelbaum | Manojo cables | Ledningsmatta..... | 1245) | |
| | | | | | | •CONNECTED TO:..... | •CONNECTÉ A: | •ANGESCHLOSSEN:..... | •CONECTADO A:..... | •ANSLUTER TILL:..... | | |
| | | | | | | •Coupling Piece | •Accouplement..... | •Leit Verbinder | •Pieza Conexion..... | •Kopplingsstycke..... | OD | |
| | | | | | | •Coupling Piece | •Accouplement..... | •Leit Verbinder | •Pieza Conexion..... | •Kopplingsstycke..... | OB | |
| | | | | | | •EI Distr Unit | •Centrale Elect..... | •Elektrozentrale..... | •Central Electr..... | •Elcentral..... | CDC | |
| 11 | VOE 1096619 | 1 | | | | •Insulator..... | •Isolateur | •Isolator | •Aislador | •Isolator..... | | |
| 12 | VOE 11041397 | 1 | | | | Cable harness..... | Faisceau cables | Kabelbaum | Manojo cables | Ledningsmatta..... | 1245) | |
| | | | | | | •CONNECTED TO:..... | •CONNECTÉ A: | •ANGESCHLOSSEN:..... | •CONECTADO A: | •ANSLUTER TILL:..... | | |
| | | | | | | ••Coupling Piece | ••Accouplement | ••Leit Verbinder | ••Pieza Conexion | ••Kopplingsstycke..... | OC | |
| | | | | | | ••Coupling Piece | ••Accouplement | ••Leit Verbinder | ••Pieza Conexion | ••Kopplingsstycke..... | OB | |

1245) **GB:** Including parts: Wire assembly, hose, manifold, cable terminal and isolator See Group 379. **FR:** Article: cable, flexible, tubulure, cosse cable y isolant. See Group 379 **DE:** Artikeln: El leitung, Schlauch, Verzweigung, Kabelschuh und Isolator. See Group 379. **ES:** Artículo: cable, manguera, bifurcacion, terminal cable et aislador. See Group 379. **SE:** Artiklar: ledning, slang, förgrening, ledningssko och isolator. See Group 379

| | | | | |
|---|--|---|-----------------------|-------------|
| 1 | | Ledningsmatta, CDC - styrning. | Catalogue id | Group |
| 2 | | Manojo de cables, CDC - dirección. | 20007 | 371 |
| 3 | | Kabelbäume, CDC - Lenkung. | Illustr. No | Section |
| 4 | | Faisceau de câbles, CDC - direction. | 1001215 | 1000 |
| 5 | | Cable harness, CDC - steering. | Issue | Page |
| | | 80929 | VOE 63D9920007 | 267 |

A



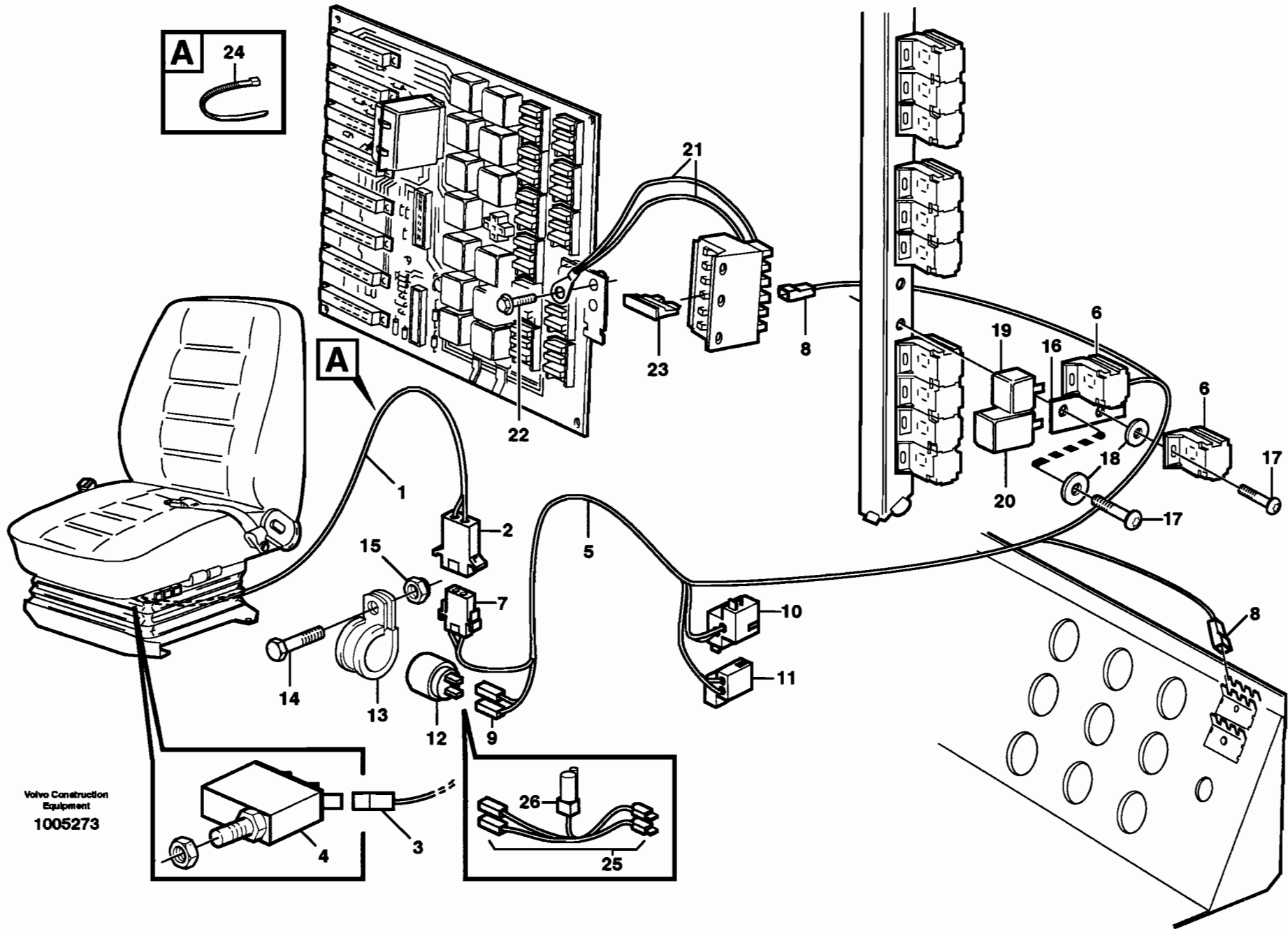
| Fig. | Part No. | Quantity | | | P S | K I T | Description | Dénomination | Bezeichnung | Denominación | Benämning | Notes |
|------|--------------|----------|---|---|--------|-------------|--|--------------|-------------|--------------|-----------|----------------------|
| | | 1 | 2 | 3 | | | | | | | | |
| 13 | VOE 11040512 | 1 | | | | | Cable harness.....Faisceau cables.....Kabelbaum.....Manejo cables.....Ledningsmatta..... | | | | | 1245) |
| | | | | | | | ••CONNECTED TO:••CONNECTÉ A:.....••ANGESCHLOSSEN:••CONECTADO A:.....••ANSLUTER TILL:..... | | | | | |
| | | | | | | | ••Switch.....••Interrupteur bas.....••Schalter.....••Interruptor bas.....••Strömställare..... | | | | | SW407, 408, 409, 410 |
| | | | | | | | ••Relay.....••Relais.....••Relais.....••Rele.....••Relä..... | | | | | RE602 |
| | | | | | | | ••Contact.....••Contact.....••Kontakt.....••Contacto.....••Kontakt..... | | | | | OE |
| | | | | | | | ••Coupling Piece.....••Accouplement.....••Leit Verbinder.....••Pieza Conexion.....••Kopplingsstycke..... | | | | | OC |
| 14 | VOE 11997560 | 2 | | | | | ••Switch.....••Commutateur.....••Schalter.....••Contactor.....••Strömställare..... | | | | | |
| 15 | VOE 11992216 | 2 | | | | | ••Knob.....••Bouton.....••Knauf.....••Boton.....••Knopp..... | | | | | |
| 16 | VOE 977184 | 1 | | | | | ••Insulator.....••Isolateur.....••Isolator.....••Aislador.....••Isolator..... | | | | | |
| 17 | VOE 8150651 | 1 | | | | | ••Contact.....••Contact.....••Kontakt.....••Contacto.....••Kontakt..... | | | | | |
| 18 | VOE 968388 | 1 | | | | | ••Insulator.....••Isolateur.....••Isolator.....••Aislador.....••Isolator..... | | | | | |
| 19 | VOE 4821292 | 8 | | | | | ••Strip Clamp.....••Ruban Serrage.....••Kabelbinder.....••Abraz Cinta.....••Bandklamma..... | | | | | |
| 20 | VOE 980614 | 1 | | | | | Clamp.....Pince Serrage.....Klemme.....Abrazadera.....Klämna..... | | | | | |
| | VOE 4881440 | REQ | | | | | Strip Clamp.....Ruban Serrage.....Kabelbinder.....Abraz Cinta.....Bandklamma..... | | | | | |

1245) GB: Including parts: Wire assembly, hose, manifold, cable terminal and isolator See Group 379. FR: Article: cable, flexible, tubulure, cosse cable y isolant. See Group 379 DE: Artikeln: El leitung, Schlauch, Verzweigung, Kabelschuh und Isolator. See Group 379. ES: Artículo: cable, manguera, bifurcacion, terminal cable et aislador. See Group 379. SE: Artiklar: ledning, slang, förgrening, ledningssko och isolator. See Group 379

| | | | |
|---|--------------------------------------|----------------|---------|
| 1 | Ledningsmatta, CDC - styrning. | Catalogue id | Group |
| 2 | Manejo de cables, CDC - dirección. | 20007 | 371 |
| 3 | Kabelbäume, CDC - Lenkung. | Illustr. No | Section |
| 4 | Faisceau de câbles, CDC - direction. | 1001215 | 1000 |
| 5 | Cable harness, CDC - steering. | Issue | Page |
| | 80929 | VOE 63D9920007 | 269 |

VOLVO

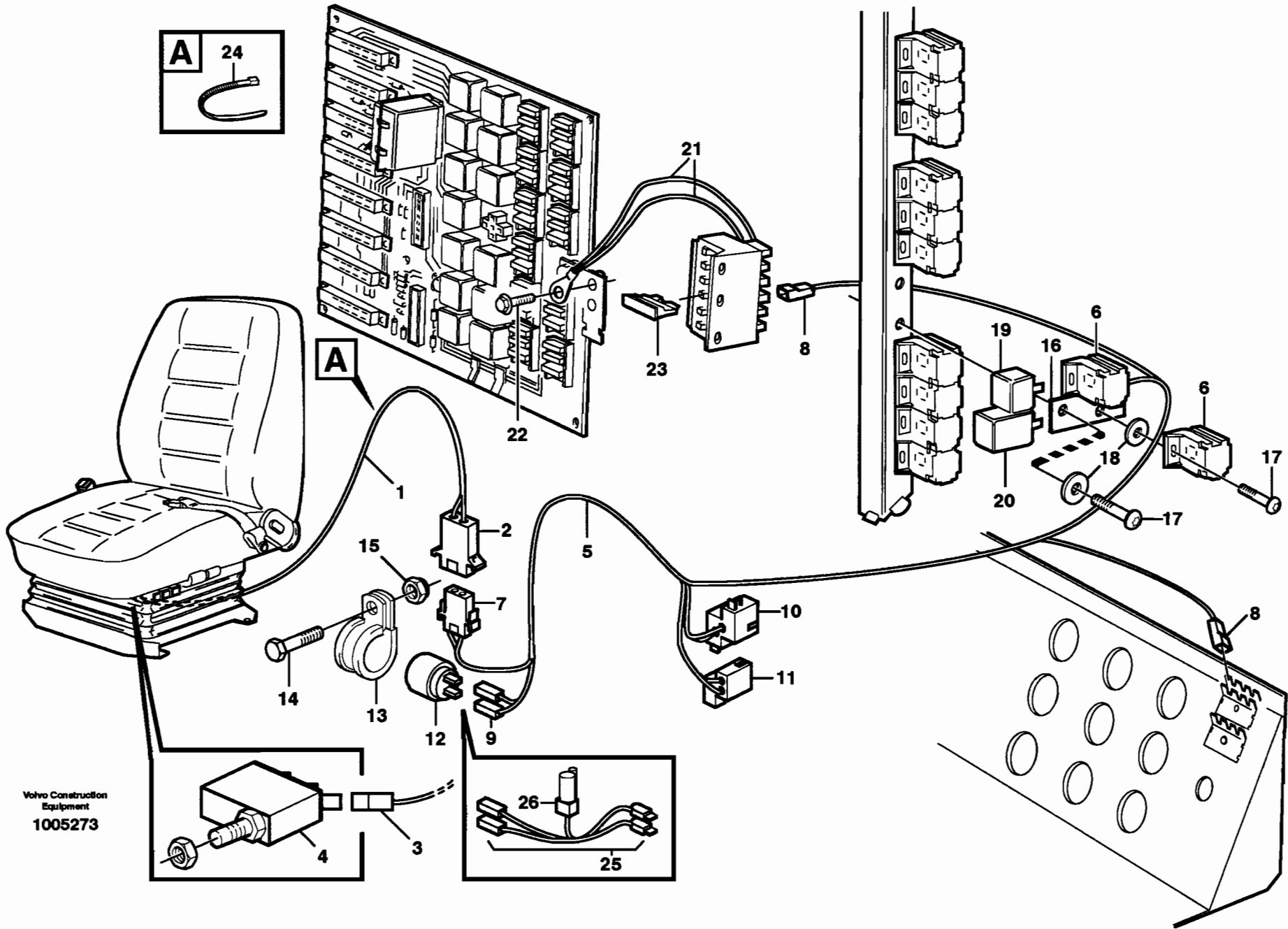
L90E



Volvo Construction
Equipment
1005273

| Fig. | Part No. | Quantity | | | P S | K I T | Description | Dénomination | Bezeichnung | Denominación | Benämning | Notes |
|------|--------------|----------|---|----|--------|-------------|---|--------------|-------------|--------------|-----------|-------|
| | | 1 | 2 | 3 | | | | | | | | |
| 1 | VOE 11040639 | 1 | | | | | Cable harness..... Faisceau cables Kabelbaum Manajo cables Ledningsmatta..... •CONNECTED TO:.....•CONNECTÉ A:•ANGESCHLOSSEN:••CONECTADO A:.....•ANSLUTER TILL:..... •Operator seat •Siege conducteur •Fahrsitz •Asiento conductor •Förarstol (SE806) •Oca •Oca •Oca •Oca •Oca | | | | | |
| 2 | VOE 13948995 | 1 | | | | | •Pin Housing•Fiche Isolante•Rundstecker.....•Aislad Clavija•Stiftisolator..... | | | | | |
| 3 | VOE 13949597 | 2 | | | | | •Protecting Sleeve•Manchon Protection..•Schutzhülle•Manguito Protec.....•Skyddshylsa..... | | | | | |
| 4 | VOE 4787427 | 1 | | | | | Microswitch Microinterrupt. Mikroschalter Microinterrupt Mikrobrytare..... SE806 | | | | | |
| 5 | VOE 11040638 | 1 | | | | | Cable harness..... Faisceau cables Kabelbaum Manajo cables Ledningsmatta..... •CONNECTED TO:.....•CONNECTÉ A:•ANGESCHLOSSEN:••CONECTADO A:.....•ANSLUTER TILL:..... •Relais à L'action •Relais à L'action •Zeitrelais •Relai De Tiempo •Tidrelä (RT802) •Relay •Relais •Relais •Relai •Relä (RE804) •Parking Brake •Frein Parking •Feststellbremse •Freno Estacionamie •Parkeringsbroms •Buzzer •Repetit.acoust. •Summer •Zumbador •Summer (SE804) | | | | | |
| 6 | VOE 977184 | 2 | | | | | •Insulator.....•Isolateur•Isolator•Aislador•Isolator..... | | | | | |
| 7 | VOE 13948996 | 1 | | | | | •Insulator.....•Isolateur•Isolator•Aislador•Isolator..... | | | | | |
| 8 | VOE 13949597 | 2 | | | | | •Protecting Sleeve•Manchon Protection..•Schutzhülle•Manguito Protec.....•Skyddshylsa..... | | | | | |
| 9 | VOE 13947848 | 2 | | | | | •Insulator.....•Isolateur•Isolator•Aislador•Isolator..... | | | | | |
| 10 | | 1 | | NS | | | •Pin housing•Fiche isolante.....•Rundstecker.....•Aislad clavija•Stiftblock..... | | | | | |
| 11 | | 1 | | NS | | | •Housing•Carter.....•Gehäuse•Carter•Hus..... | | | | | |
| 12 | VOE 828587 | 1 | | | | | Buzzer..... Répétiteur acoustiqu .. Summer..... Zumbador Summer..... SE804 | | | | | |
| 13 | VOE 13949997 | 1 | | | | | Clamp..... Pince Serrage Klemme Abrazadera..... Klämma..... | | | | | |
| 14 | VOE 13946544 | 1 | | | | | Flange screw..... Vis à bride Flanschschraube Torn embridado..... Flänsskruv..... | | | | | |
| 15 | VOE 13949278 | 1 | | | | | Flange Lock Nut..... Contre écrou bride Flanschmutter Contratuer Embr..... Flänslåsmutter..... | | | | | |
| 16 | | 1 | | NS | | | Attaching Plate..... Tole fixation..... Befestigungsblech..... Chapa fijacion Fästplåt..... | | | | | |
| 17 | VOE 190665 | 3 | | | | | Hexagon screw Vis tête hexagonale ... Sechskantschraube... Tornillo hexago..... Sexkantsskruv..... | | | | | |
| 18 | VOE 13940090 | 3 | | | | | Washer..... Rondelle Scheibe Arandela Bricka..... | | | | | |
| 19 | VOE 20374662 | 1 | | | | | Relay..... Relais Relais Rele Relä..... RE804 | | | | | |
| 20 | VOE 4803319 | 1 | | | | | Delay Relay..... Relais Retarde. Verzöger Rel Rele Retardo Fördröjn.relä..... RT802 | | | | | |
| 21 | VOE 11041913 | 1 | | | | | Wire..... Cable..... Leitung Cable Led ning..... | | | | | |

| | | | | |
|---|--|---|-----------------------|-------------|
| 1 | | Elsystem, handbromsalarms | Catalogue id | Group |
| 2 | | Manajo de cables, alarma de freno de estacionamiento | 20007 | 371 |
| 3 | | Kabelbaum, Handbremsanzeiger | Illustr. No | Section |
| 4 | | Faisceau câbles, signal sonore frein de parking | 1005273 | 1050 |
| 5 | | Electrical system, parking brake alarm | Issue | Page |
| | | 80348 | VOE 63D9920007 | 271 |



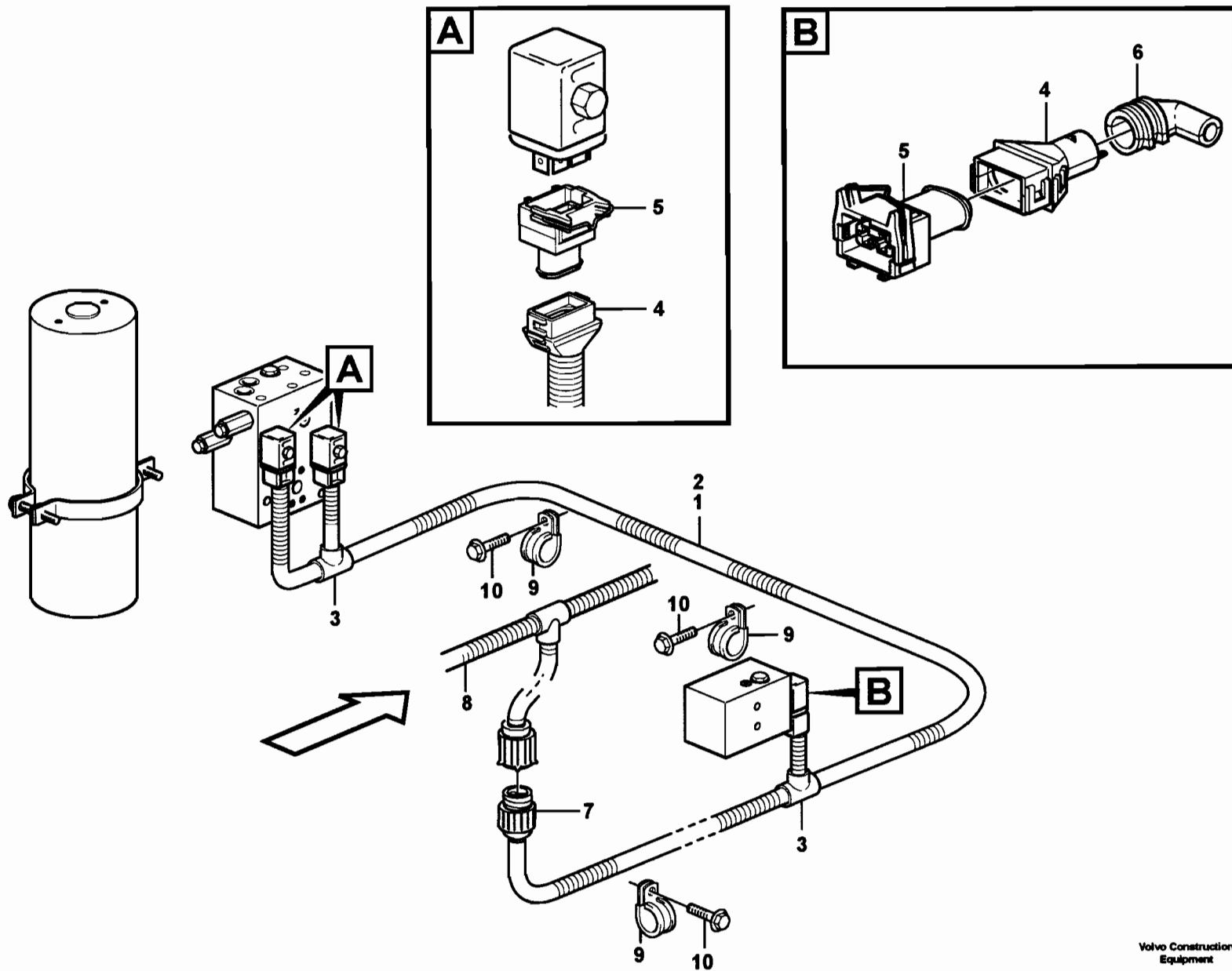
Volvo Construction
Equipment
1005273

| Fig. | Part No. | Quantity | | | P S | K I T | Description | Dénomination | Bezeichnung | Denominación | Benämning | Notes |
|------|--------------|----------|---|---|--------|--------------------|-----------------------|-----------------------|---------------------|--------------------|-----------------------|-------|
| | | 1 | 2 | 3 | | | | | | | | |
| 22 | VOE 947107 | 1 | | | | Flange screw..... | Vis à bride | Flanschschraube..... | Torn embridado..... | Flänsskruv..... | | |
| 23 | VOE 13969160 | 1 | | | | Fuse..... | Fusible | Schmelzsicherung..... | Fusible..... | Smältsäkring..... | (VOE 967851) FU53, 5A | |
| 24 | VOE 4881438 | REQ | | | | Strip Clamp | Ruban Serrage..... | Kabelbinder | Abraz Cinta | Bandklamma..... | | |
| 25 | VOE 11170927 | 1 | | | | Cable harness..... | Faisceau cables | Kabelbaum | Manejo cables | Ledningsmatta..... | | |
| 26 | VOE 4940327 | 1 | | | | •Diode | •Diode | •Diode..... | •Diodo..... | •Diod..... | | |

| | | | | |
|---|-------|--|----------------|-------------|
| 1 | | Elsystem, handbromsalar | Catalogue id | Group |
| 2 | | Manejo de cables, alarma de freno de estacionamiento | 20007 | 371 |
| 3 | | Kabelbaum, Handbremsanzeiger | Illustr. No | Section |
| 4 | | Faisceau câbles, signal sonore frein de parking | 1005273 | 1050 |
| 5 | | Electrical system, parking brake alarm | Issue | Page |
| | 80348 | | VOE 63D9920007 | 273 |

VOLVO

L90E



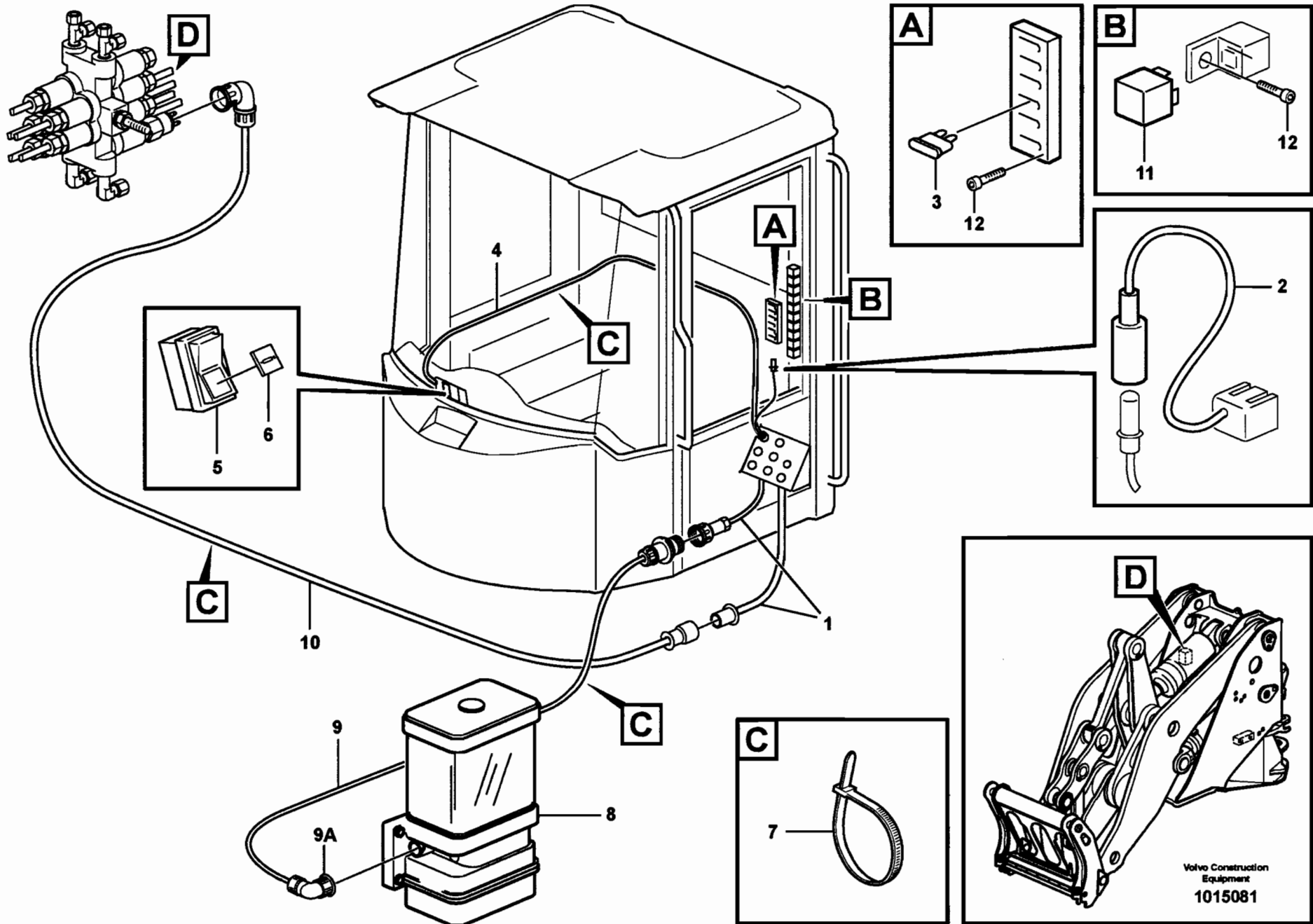
| Fig. | Part No. | Quantity | | | P S | K I T | Description | Dénomination | Bezeichnung | Denominación | Benämning | Notes |
|------|--------------|----------|---|---|--------|--------------------|-----------------------|------------------------|---------------------|--------------------|---------------------|-------|
| | | 1 | 2 | 3 | | | | | | | | |
| 1 | VOE 11170553 | 1 | | | | Cable harness..... | Faisceau cables | Kabelbaum | Manojo cables | Ledningsmatta..... | 1245) | |
| | | | | | | •CONNECTED TO: | •CONNECTÉ A: | •ANGESCHLOSSEN: | •CONECTADO A: | •ANSLUTER TILL: | | |
| | | | | | | •Solenoid valve | •Valve solenoide | •Solenoid Ventil | •Válvula solenoid | •Proport.ventil | MA908, MA910, MA911 | |
| | | | | | | •Wire harness | •Faisceau cables | •Kabelbaum | •Manojo cables | •Ledningsmatta | FD | |
| 2 | VOE 4803746 | REQ | | | | •Hose | •Durit | •Schlauch | •Tubo flexible..... | •Slang..... | | |
| 3 | VOE 11039709 | 2 | | | | •Manifold | •Tubulure..... | •Verzweigung | •Bifurcacion | •Förgrening..... | | |
| 4 | VOE 8142100 | 3 | | | | •Adapter | •Raccord Reduct. | •Verbind Stutzen | •Adaptador | •Adapter..... | | |
| 5 | VOE 976256 | 3 | | | | •Insulator..... | •Isolateur | •Isolator | •Aislador | •Isolator..... | MA908, MA910, MA911 | |
| 6 | VOE 1095059 | 1 | | | | •Joint Nipple..... | •Raccord | •Verbind Nippel | •Niple Union | •Skarvnippel..... | | |
| 7 | VOE 8159013 | 1 | | | | •Insulator..... | •Isolateur | •Isolator | •Aislador | •Isolator..... | FD | |
| 8 | | 1 | | | | Wire harness..... | Faisceau cables | Kabelbaum | Manojo cables | Ledningsmatta..... | | |
| 9 | VOE 13949746 | 3 | | | | Clamp..... | Pince Serrage | Klemme | Abrazadera..... | Klämma..... | | |
| 10 | VOE 13946173 | 3 | | | | Flange screw..... | Vis à bride | Flanschschraube..... | Torn embridado..... | Flänsskruv..... | | |

1245) **GB:** Including parts: Wire assembly, hose, manifold, cable terminal and isolator See Group 379. **FR:** Article: cable, flexible, tubulure, cosse cable y isolant. See Group 379 **DE:** Artikeln: El leitung, Schlauch, Verzweigung, Kabelschuh und Isolator. See Group 379. **ES:** Artículo: cable, manguera, bifurcacion, terminal cable et aislador. See Group 379. **SE:** Artiklar: ledning, slang, förgrening, ledningssko och isolator. See Group 379

| | | | | |
|---|--|--|-----------------------|-------------|
| 1 | | Ledningsmatta, svängningsdämpare. | Catalogue id | Group |
| 2 | | Manojos de cables, amortiguador de vibraciones. | 20007 | 371 |
| 3 | | Kabelbäume, Schwingungsdämpfer. | Illustr. No | Section |
| 4 | | Faisceau de câbles, amortisseur vibrations. | 1015002 | 1100 |
| 5 | | Cable harness, boom suspension system. | Issue | Page |
| | | 80931 | VOE 63D9920007 | 275 |

VOLVO

L90E

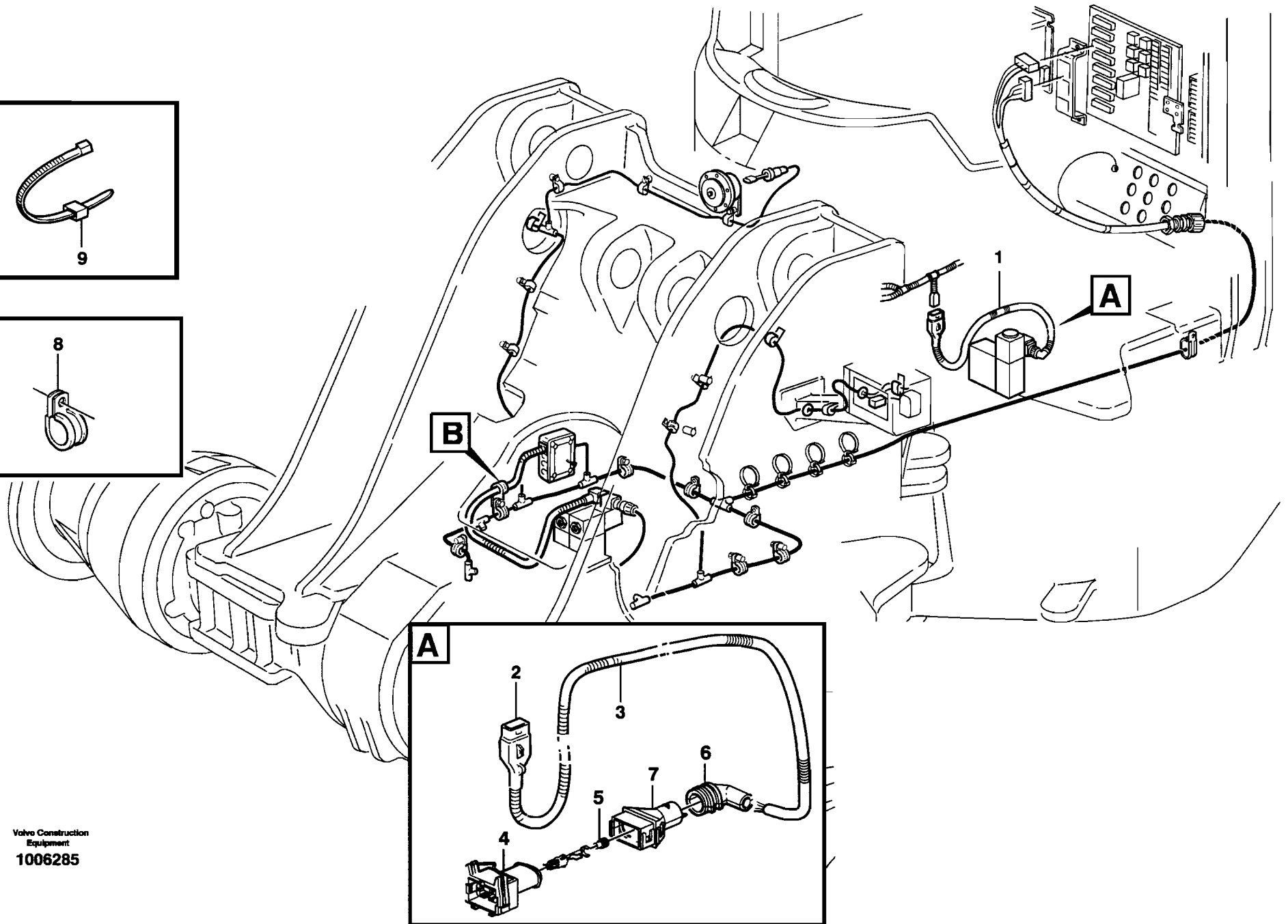
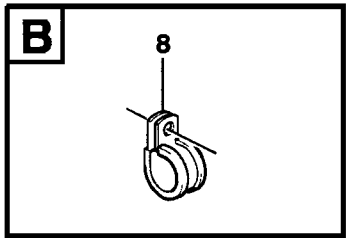
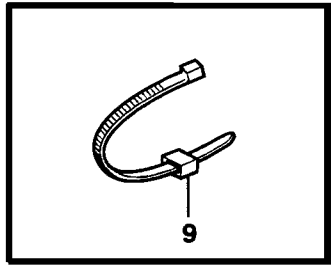


| Fig. | Part No. | Quantity | | | P S | K I T | Description | Dénomination | Bezeichnung | Denominación | Benämning | Notes |
|------|--------------|----------|---|---|--------|----------------------|-----------------------|------------------------|-----------------------|-----------------------|-------------------------|-------|
| | | 1 | 2 | 3 | | | | | | | | |
| | VOE 11176815 | 1 | | | | El Equipment..... | Equi.electrique | Elausrüstung | Equip Electrico | Elustrustning..... | | |
| 1 | VOE 11701992 | 1 | | | | •Cable harness | •Faisceau cables..... | •Kabelbaum..... | •Manojo cables..... | •Ledningsmatta..... | | |
| 2 | VOE 11708026 | 1 | | | | •El Cable | •Fil Electrique..... | •El-leitung | •Cable Electrico..... | •Elledning..... | | |
| 3 | VOE 969161 | 1 | | | | •Fuse..... | •Fusible | •Schmelzsicherung..... | •Fusible | •Smältsäkring..... | | |
| 4 | VOE 11701821 | 1 | | | | •Cable harness | •Faisceau cables..... | •Kabelbaum..... | •Manojo cables..... | •Ledningsmatta..... | | |
| 5 | VOE 11705936 | 1 | | | | •Switch | •Commutateur..... | •Schalter..... | •Contactor | •Strömställare | | |
| 6 | VOE 11997279 | 1 | | | | •Lens..... | •Lentille | •Linse | •Lente | •Lins..... | | |
| 7 | VOE 4881440 | REQ | | | | •Strip Clamp..... | •Ruban Serrage | •Kabelbinder..... | •Abraz Cinta | •Bandklamma..... | | |
| 8 | VOE 11707439 | 1 | | | | Pump..... | Pompe..... | Pumpe..... | Bomba..... | Pump..... | See group 993, Page 911 | |
| 9 | VOE 11706041 | 1 | | | | Cable harness..... | Faisceau cables..... | Kabelbaum..... | Manojo cables..... | Ledningsmatta..... | | |
| 9A | VOE 11714196 | 1 | | | | •Connector Kit..... | •Kit Connexion | •Anschlussatz..... | •Juego Terminal | •Anslutningssats..... | | |
| 10 | VOE 11707861 | 1 | | | | Cable harness..... | Faisceau cables..... | Kabelbaum..... | Manojo cables..... | Ledningsmatta..... | | |
| 11 | VOE 4786690 | 1 | | | | Relay..... | Relais | Relais | Rele..... | Relä..... | L PROD | |
| 12 | VOE 959186 | 3 | | | | Allen Hd Screw | Vis A 6 Pans Cr..... | Inbusschraube..... | Torn Hex Embut..... | Insexskruv..... | | |

| | | | | |
|---|--|---|----------------|-------------|
| 1 | | Ledningsmatta, centralsmörjning. Manojo de cables, lubricacion central. Kabelbaum, Zentralschmierung. Faisceau de câbles, graissage central. Cable harness, central lubrication. | Catalogue id | Group |
| 2 | | | 20007 | 371 |
| 3 | | | Illustr. No | Section |
| 4 | | | 1015081 | 1150 |
| 5 | | | Issue | Page |
| | | 82377, 82378 | VOE 63D9920007 | 277 |

VOLVO

L90E



Volvo Construction
Equipment
1006285

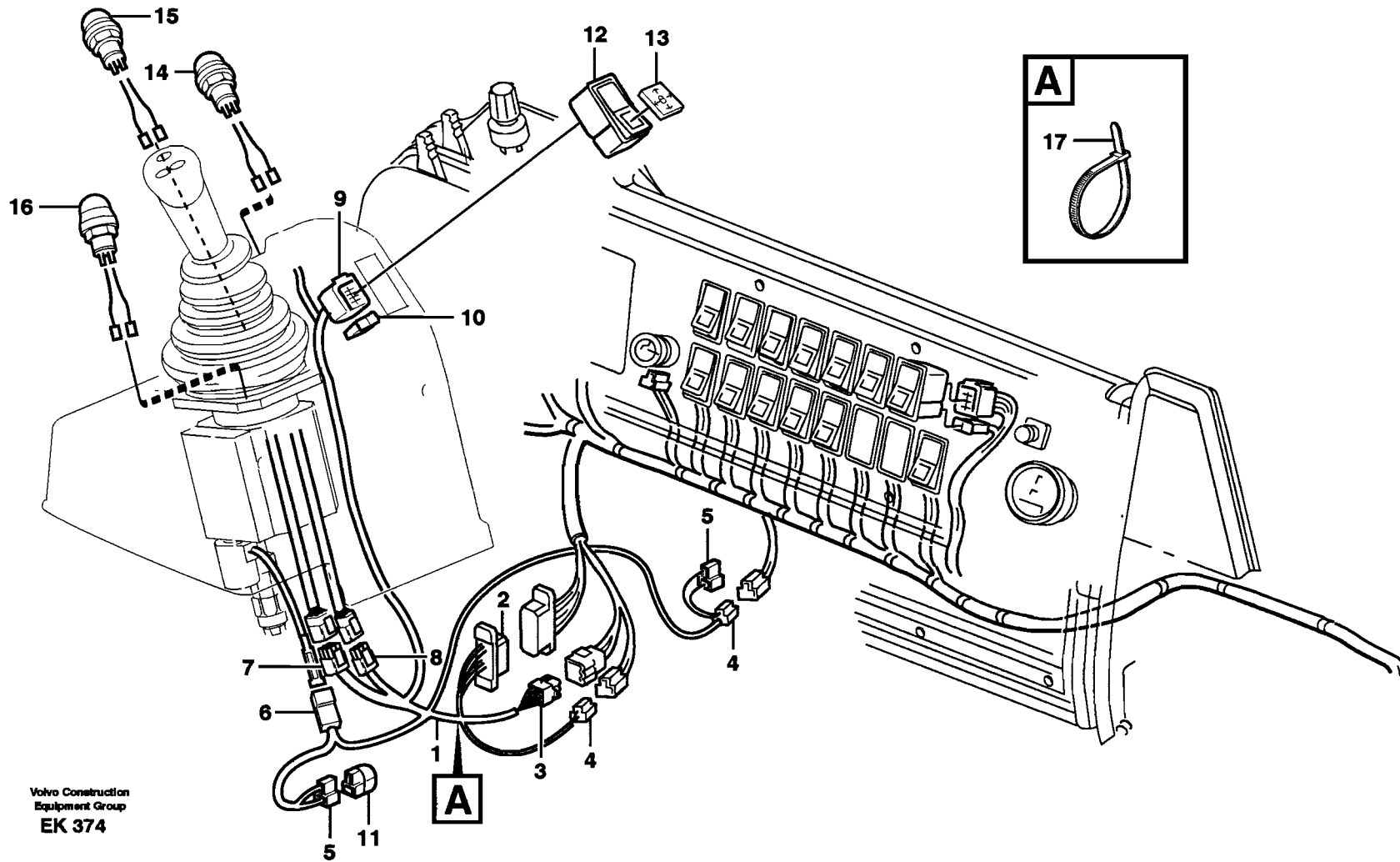
| Fig. | Part No. | Quantity | | | | | P S | K I T | Description | Dénomination | Bezeichnung | Denominación | Benämning | Notes |
|------|--------------|----------|---|---|---|---|--------|--|-------------|--------------|-------------|--------------|-----------|-------|
| | | 1 | 2 | 3 | 4 | 5 | | | | | | | | |
| 1 | VOE 11170690 | 1 | | | | | | Cable harness.....Faisceau cables Kabelbaum.....Manojo cables Ledningsmatta..... | | | | | 1245) | |
| | | | | | | | | •CONNECTED TO: •CONNECTÉ A: •ANGESCHLOSSE •CONECTADO A: •ANSLUTER TILL: | | | | | | |
| | | | | | | | | ••Wire harness ••Faisceau cables ••Kabelbaum ••Manojo cables ••Ledningsmatta UC | | | | | | |
| | | | | | | | | ••Solenoid valve ••Valve solenoide ••Solenoid Ventil ••Válvula solenoid ••Proport.ventil MA913 | | | | | | |
| 2 | VOE 8143240 | 1 | | | | | | •Insulator.....•Isolateur•Isolator.....•Aislador•Isolator..... | | | | | | |
| 3 | VOE 4803746 | ERQ | | | | | | •Hose•Durit•Schlauch.....•Tubo flexible.....•Slang..... | | | | | | |
| 4 | VOE 976256 | 1 | | | | | | •Insulator.....•Isolateur•Isolator.....•Aislador•Isolator..... | | | | | | |
| 5 | VOE 970773 | 2 | | | | | | •Cable Seal.....•Joint d'étanchéité .•Leitungsdicht.•Sellador Cable.....•Ledningstätning..... | | | | | | |
| 6 | VOE 1095059 | 1 | | | | | | •Joint Nipple.....•Raccord.....•Verbind Nippel•Niple Union.....•Skarvnippel..... | | | | | | |
| 7 | VOE 8142100 | 1 | | | | | | •Adapter.....•Raccord Reduct. ...•Verbind Stutzen•Adaptador.....•Adapter..... | | | | | | |
| 8 | VOE 13949746 | REQ | | | | | | •Clamp•Pince Serrage•Klemme•Abrazadera.....•Klämna..... | | | | | | |
| 9 | VOE 4881440 | REQ | | | | | | Strip Clamp.....Ruban Serrage Kabelbinder.....Abraz Cinta..... Bandklamma..... | | | | | | |

1245) **GB:** Including parts: Wire assembly, hose, manifold, cable terminal and isulator See Group 379. **FR:** Article: cable, flexible, tubulure, cosse cable y isolant. See Group 379 **DE:** Artikeln: El leitung, Schlauch, Verzweigung, Kabelschuh und Isolator. See Group 379. **ES:** Artículo: cable, manguera, bifurcacion, terminal cable et aislador. See Group 379. **SE:** Artiklar: ledning, slang, förgrening, ledningssko och isolator. See Group 379

| | | | | |
|---|--|--|-----------------------|-------------|
| 1 | | Ledningsmatta, redskapsfäste | Catalogue id | Group |
| 2 | | Manojo de cables, equipo de fijación de implementos | 20007 | 371 |
| 3 | | Kabelbäume, Geräteschnellkupplung | Illustr. No | Section |
| 4 | | Faisceau de câbles, porte-outil | 1006285 | 1200 |
| 5 | | Cable harness, attachment bracket | Issue | Page |
| | | 80933 | VOE 63D9920007 | 279 |

VOLVO

L90E



Volvo Construction
Equipment Group
EK 374

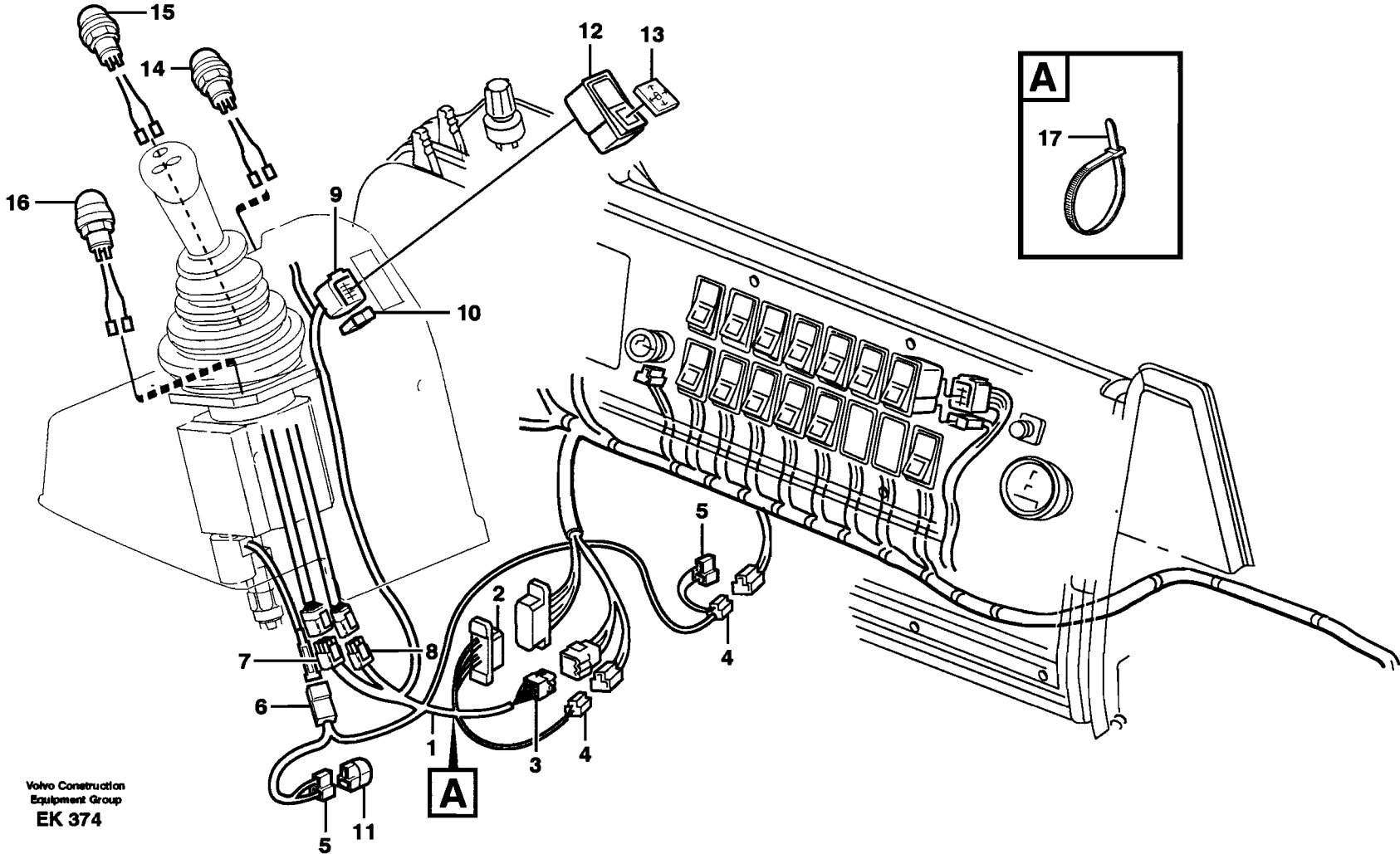
| Fig. | Part No. | Quantity | | | P S | K I T | Description | Dénomination | Bezeichnung | Denominación | Benämning | Notes |
|------|--------------|----------|---|----|--------|------------------------|-----------------------|----------------------|-----------------------|--------------------|----------------|-------|
| | | 1 | 2 | 3 | | | | | | | | |
| 1 | VOE 11040695 | 1 | | | | Cable harness..... | Faisceau cables..... | Kabelbaum..... | Manojo cables..... | Ledningsmatta..... | 1245) | |
| | | | | | | •CONNECTED TO: | •CONNECTÉ A: | •ANGESCHLOSSEN: | •CONECTADO A: | •ANSLUTER TILL: | | |
| | | | | | | ••Wire harness | ••Faisceau cables | ••Kabelbaum | ••Manojo cables | ••Ledningsmatta | SE, SF, SJ, SL | |
| | | | | | | ••Solenoid valve | ••Valve solenoide | ••Solenoid Ventil | ••Válvula solenoid | ••Proport.ventil | MA916 | |
| | | | | | | ••Single Lever Control | ••Command un lev. | ••Einhebelsteuer. | ••Monomando | ••Enspaksreglage | EP, SH | |
| | | | | | | ••Switch | ••Interrupteur bas. | ••Schalter | ••Interruptor bas. | ••Strömställare | SW920 | |
| 2 | VOE 1096615 | 1 | | | | •Insulator..... | •Isolateur..... | •Isolator..... | •Aislador..... | •Isolator..... | | |
| 3 | VOE 948294 | 1 | | | | •Insulator..... | •Isolateur..... | •Isolator..... | •Aislador..... | •Isolator..... | | |
| 4 | VOE 958209 | 2 | | | | •Insulator..... | •Isolateur..... | •Isolator..... | •Aislador..... | •Isolator..... | | |
| 5 | VOE 13958210 | 2 | | | | •Rcpt Housing..... | •Douille Isolan..... | •Steckbuchse..... | •Aislador Mangui..... | •Hylsisolator..... | | |
| 6 | VOE 11039696 | 1 | | | | •Switch Housing..... | •Boitier Contact..... | •Kontaktgehäuse..... | •Caja Contacto..... | •Kontaktthus..... | | |
| 7 | | 1 | | NS | | •Housing..... | •Carter..... | •Gehäuse..... | •Carter..... | •Hus..... | | |
| 8 | | 1 | | NS | | •Housing..... | •Carter..... | •Gehäuse..... | •Carter..... | •Hus..... | | |
| 9 | VOE 4803454 | 1 | | | | •Rcpt Housing..... | •Douille Isolan..... | •Steckbuchse..... | •Aislador Mangui..... | •Hylsisolator..... | | |
| 10 | VOE 4803532 | 1 | | | | •Rcpt Housing..... | •Douille Isolan..... | •Steckbuchse..... | •Aislador Mangui..... | •Hylsisolator..... | | |
| 11 | VOE 4940327 | 1 | | | | •Diode..... | •Diode..... | •Diode..... | •Diodo..... | •Diod..... | | |
| 12 | VOE 11039380 | 1 | | | | Switch..... | Commutateur..... | Schalter..... | Contactador..... | Strömställare..... | | |
| | VOE 11997242 | 1 | | | | •Bulb..... | •Ampoule..... | •Glühlampe..... | •Ampolla..... | •Glödlampa..... | | |
| 13 | VOE 11039700 | 1 | | | | Lens..... | Lentille..... | Linse..... | Lente..... | Lins..... | | |
| 14 | VOE 11170678 | 1 | | | | Cable harness..... | Faisceau cables..... | Kabelbaum..... | Manojo cables..... | Ledningsmatta..... | SW802 | |
| | | | | | | •CONNECTED TO: | •CONNECTÉ A: | •ANGESCHLOSSEN: | •CONECTADO A: | •ANSLUTER TILL: | | |
| | | | | | | ••Housing | ••Carter | ••Gehäuse | ••Carter | ••Hus | SE | |
| 15 | VOE 11170677 | 1 | | | | Cable harness..... | Faisceau cables..... | Kabelbaum..... | Manojo cables..... | Ledningsmatta..... | SW406 | |
| | | | | | | •CONNECTED TO: | •CONNECTÉ A: | •ANGESCHLOSSEN: | •CONECTADO A: | •ANSLUTER TILL: | | |
| | | | | | | ••Housing | ••Carter | ••Gehäuse | ••Carter | ••Hus | SE | |

1245) GB: Including parts: Wire assembly, hose, manifold, cable terminal and isulator See Group 379. FR: Article: cable, flexible, tubulure, cosse cable y isolant. See Group 379 DE: Artikeln: El leitung, Schlauch, Verzweigung, Kabelschuh und Isolator. See Group 379. ES: Artículo: cable, manguera, bifurcacion, terminal cable et aislador. See Group 379. SE: Artiklar: ledning, slang, förgrening, ledningssko och isolator. See Group 379

| | | | | |
|---|--|---|-----------------------|-------------|
| 1 | | Ledningsmattor, enspaksreglage. | Catalogue id | Group |
| 2 | | Manojo de cables para reglaje de palanca sencilla. | 20007 | 371 |
| 3 | | Kabelbaum für Einhebel Regler. | Illustr. No | Section |
| 4 | | Faisceau de câbles pour commande levier simple. | EK374 | 1400 |
| 5 | | Cable harnesses, single lever control. | Issue | Page |
| | | 82325, 82326 | VOE 63D9920007 | 281 |

VOLVO

L90E



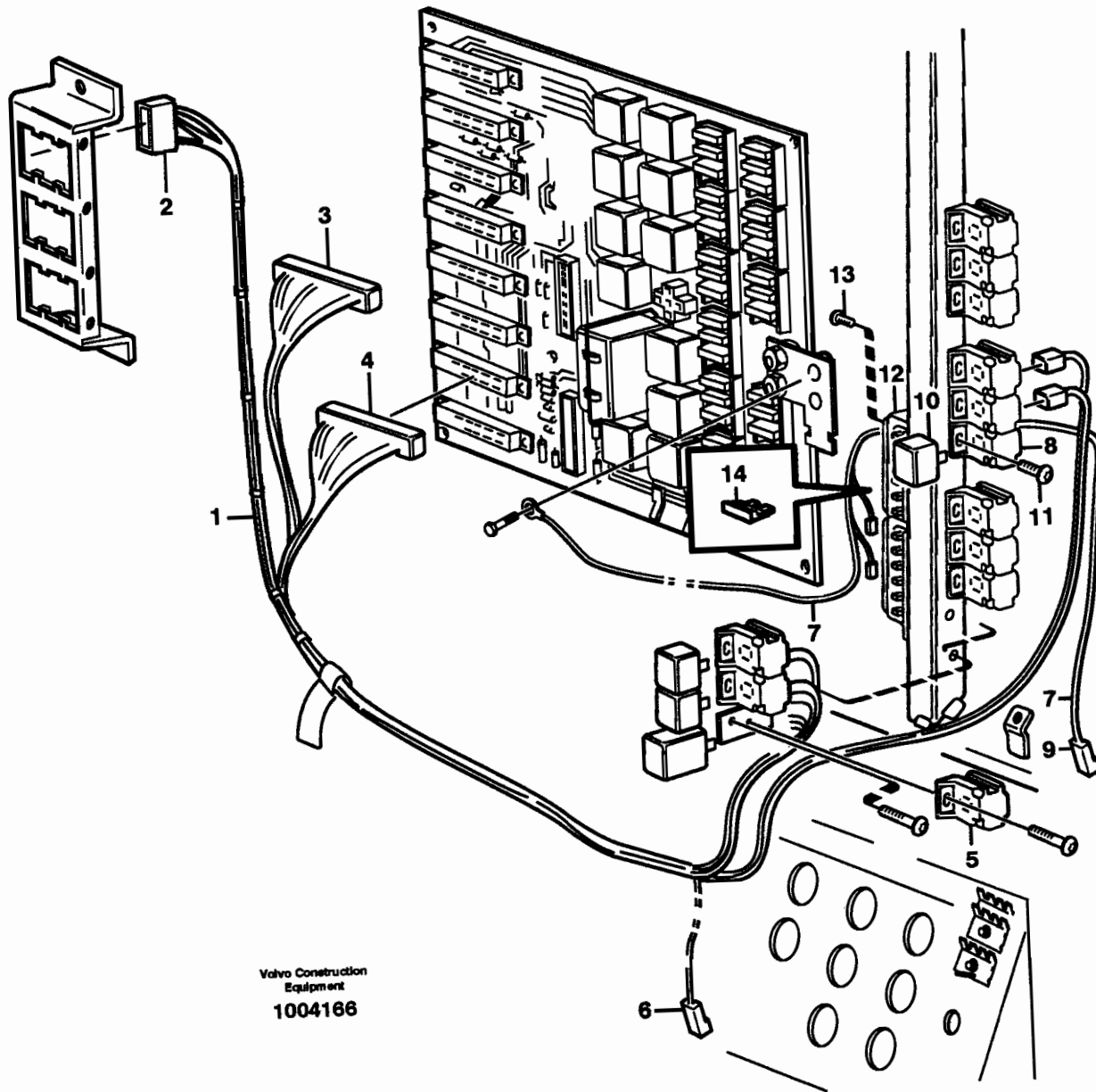
Volvo Construction
Equipment Group
EK 374

| Fig. | Part No. | Quantity | | | P S | K T | Description | Dénomination | Bezeichnung | Denominación | Benämning | Notes |
|------|--------------|----------|---|---|--------|--------|--------------------|----------------------|------------------|--------------------|--------------------|-------|
| | | 1 | 2 | 3 | | | | | | | | |
| 16 | VOE 11170674 | 1 | | | | | Cable harness..... | Faisceau cables..... | Kabelbaum..... | Manojo cables..... | Ledningsmatta..... | SW403 |
| | | | | | | | •CONNECTED TO: | •CONNECTÉ A: | •ANGESCHLOSSEN: | •CONECTADO A: | •ANSLUTER TILL: | |
| | | | | | | | ••Housing | ••Carter | ••Gehäuse | ••Carter | ••Hus | SE |
| 17 | VOE 4881440 | 5 | | | | | Strip Clamp..... | Ruban Serrage..... | Kabelbinder..... | Abraz Cinta..... | Bandklamma..... | |

| | | | | |
|---|--|--|----------------|---------|
| 1 | | Ledningsmattor, enspaksreglage. | Catalogue id | Group |
| 2 | | Manojo de cables para reglaje de palanca sencilla. | 20007 | 371 |
| 3 | | Kabelbaum für Einhebel Regler. | Illustr. No | Section |
| 4 | | Faisceau de câbles pour commande levier simple. | EK374 | 1400 |
| 5 | | Cable harnesses, single lever control. | Issue | Page |
| | | 82325, 82326 | VOE 63D9920007 | 283 |

VOLVO

L90E



Valvo Construction
Equipment
1004166

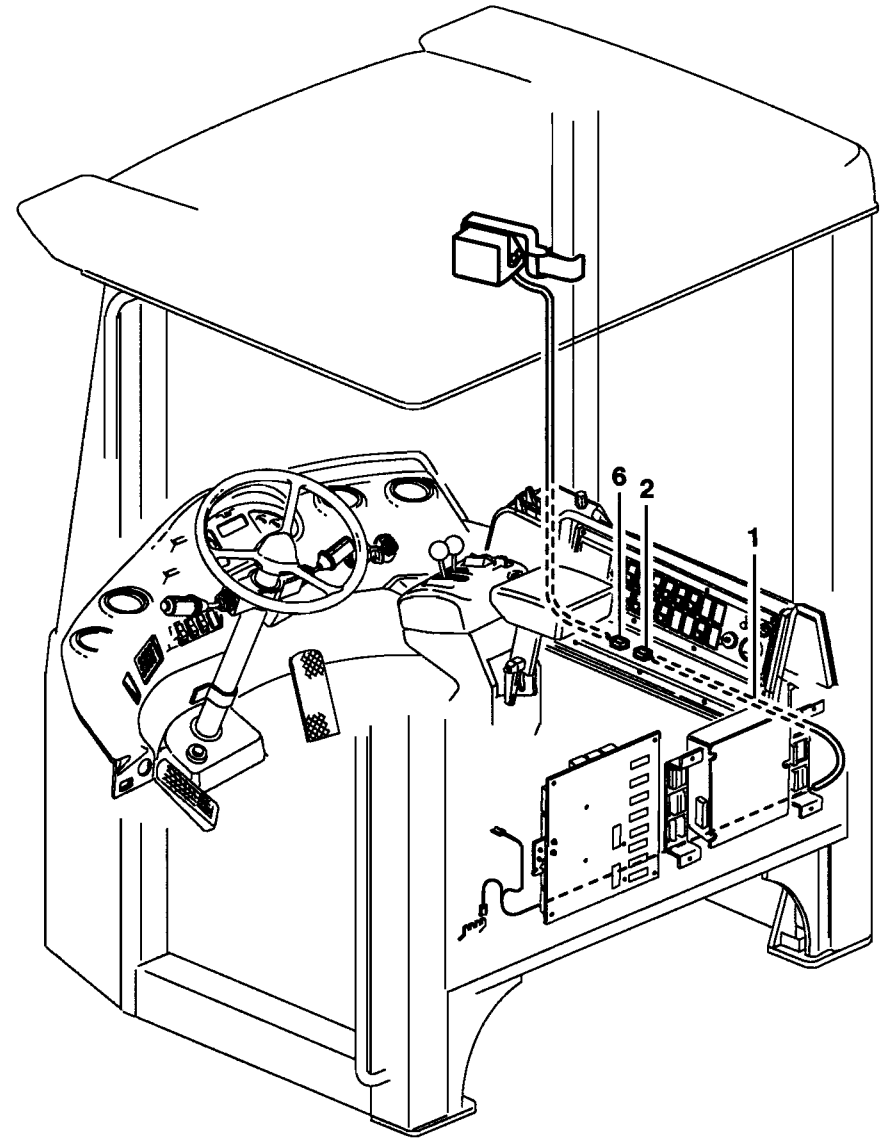
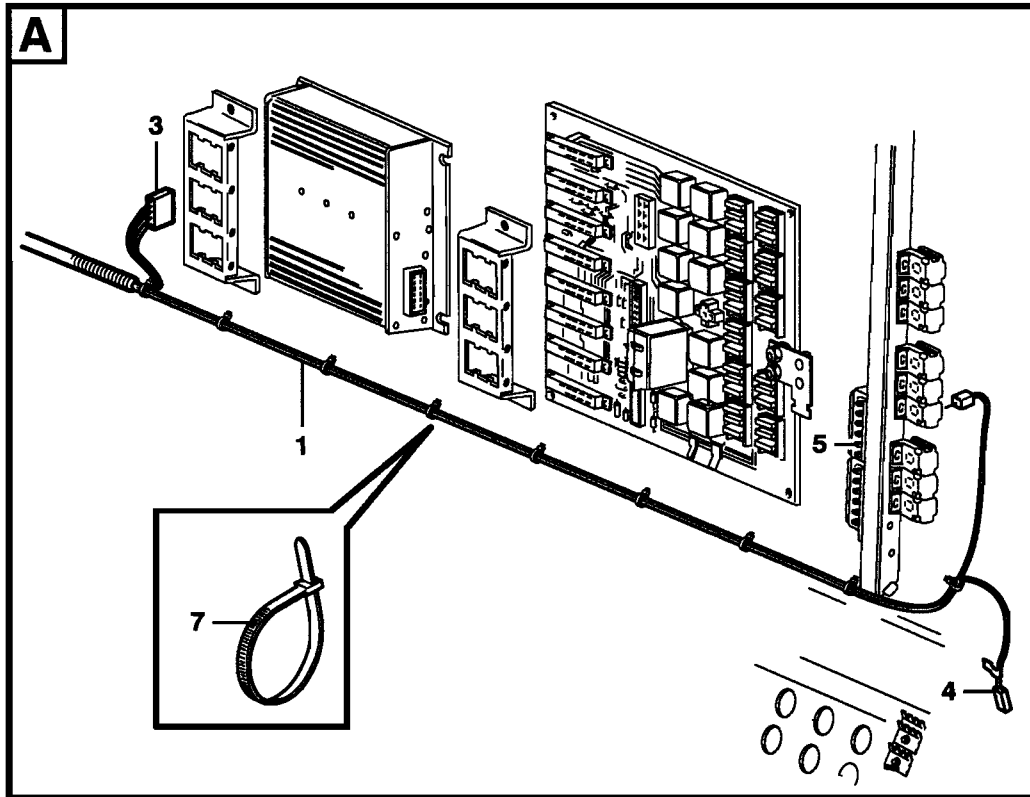
| Fig. | Part No. | Quantity | | | P S | K I T | Description | Dénomination | Bezeichnung | Denominación | Benämning | Notes |
|------|--------------|----------|---|---|--------|--------------------------|-----------------------|------------------------|-----------------------|----------------------|----------------------------------|-------|
| | | 1 | 2 | 3 | | | | | | | | |
| 1 | VOE 11170841 | 1 | | | | Cable harness..... | Faisceau cables..... | Kabelbaum..... | Manojo cables..... | Ledningsmatta..... | 1245) | |
| | | | | | | •CONNECTED TO: | •CONNECTÉ A: | •ANGESCHLOSSEN: | •CONECTADO A: | •ANSLUTER TILL: | | |
| | | | | | | ••El Distr Unit | ••Centrale Elect | ••Elektrozentrale | ••Central Electr | ••Elcentral | MR | |
| | | | | | | ••Circuit Board | ••Carte Circuit | ••Leiterrbahnpl | ••Placa Circuito | ••Kretskort | See group 372, Page 295 R | |
| | | | | | | ••Relay | ••Relais | ••Relais | ••Rele | ••Relä | See group 372, Page 301 RE303 | |
| | | | | | | ••Cable harness | ••Faisceau cables | ••Kabelbaum | ••Manojo cables | ••Ledningsmatta | R | |
| 2 | VOE 1096619 | 1 | | | | •Insulator..... | •Isolateur..... | •Isolator..... | •Aislador..... | •Isolator..... | | |
| 3 | VOE 1096615 | 1 | | | | •Insulator..... | •Isolateur..... | •Isolator..... | •Aislador..... | •Isolator..... | | |
| 4 | VOE 1096619 | 1 | | | | •Insulator..... | •Isolateur..... | •Isolator..... | •Aislador..... | •Isolator..... | | |
| 5 | VOE 977184 | 1 | | | | •Insulator..... | •Isolateur..... | •Isolator..... | •Aislador..... | •Isolator..... | (RE303) | |
| 6 | VOE 13949597 | 2 | | | | •Protecting Sleeve | •Manchon Protection.. | •Schutzhulle | •Manguito Protec..... | •Skyddshylsa..... | | |
| 7 | VOE 11041913 | 1 | | | | Wire..... | Cable..... | Leitung | Cable..... | Ledning..... | 1245) | |
| | | | | | | •CONNECTED TO: | •CONNECTÉ A: | •ANGESCHLOSSEN: | •CONECTADO A: | •ANSLUTER TILL: | | |
| | | | | | | ••Relay | ••Relais | ••Relais | ••Rele | ••Relä | RE101 | |
| | | | | | | ••Fuse | ••Fusible | ••Sicherung | ••Fusible | ••Säkring | FU55:6, FU58:3 | |
| | | | | | | ••Feeding | ••Alimentation | ••Zuführung | ••Alimentacion | ••Matning | 30 | |
| 8 | VOE 977184 | 1 | | | | •Insulator..... | •Isolateur..... | •Isolator..... | •Aislador..... | •Isolator..... | (RE101) | |
| 9 | VOE 13949597 | 1 | | | | •Protecting Sleeve | •Manchon Protection.. | •Schutzhulle | •Manguito Protec..... | •Skyddshylsa..... | (31C) | |
| 10 | VOE 20374662 | 2 | | | | Relay..... | Relais..... | Relais..... | Rele..... | Relä..... | RE101, RE303 | |
| 11 | VOE 13969278 | 2 | | | | Screw..... | Vis..... | Schraube..... | Tornillo..... | Skruv..... | | |
| 12 | VOE 11039302 | 1 | | | | Fuse Holder | Porte fusible..... | Sicherungshalter | Porta-fusible..... | Säkringshållare..... | | |
| 13 | VOE 13969278 | 2 | | | | Screw..... | Vis..... | Schraube..... | Tornillo..... | Skruv..... | | |
| 14 | VOE 978999 | 1 | | | | Fuse..... | Fusible..... | Schmelzsicherung..... | Fusible..... | Smältsäkring..... | 20A | |

1245) GB: Including parts: Wire assembly, hose, manifold, cable terminal and isolator See Group 379. FR: Article: cable, flexible, tubulure, cosse cable y isolant. See Group 379 DE: Artikeln: Elleitung, Schlauch, Verzweigung, Kabelschuh und Isolator. See Group 379. ES: Artículo: cable, manguera, bifurcacion, terminal cable et aislador. See Group 379. SE: Artiklar: ledning, slang, förgrening, ledningssko och isolator. See Group 379

| | | | | |
|---|--|---|-----------------------|-------------|
| 1 | | Ledningsmatta, automatiskt backljus | Catalogue id | Group |
| 2 | | Haz de cables, luces de marcha atrás automáticas | 20007 | 371 |
| 3 | | Kabelbaum, automatische Rückfahrleuchte | Illustr. No | Section |
| 4 | | Faisceau de câbles, feu de recul automatique | 1004166 | 1500 |
| 5 | | Cable harness, automatic back-up light | Issue | Page |
| | | 82307 | VOE 63D9920007 | 285 |

VOLVO

L90E



Volvo Construction
Equipment Group
EK 394

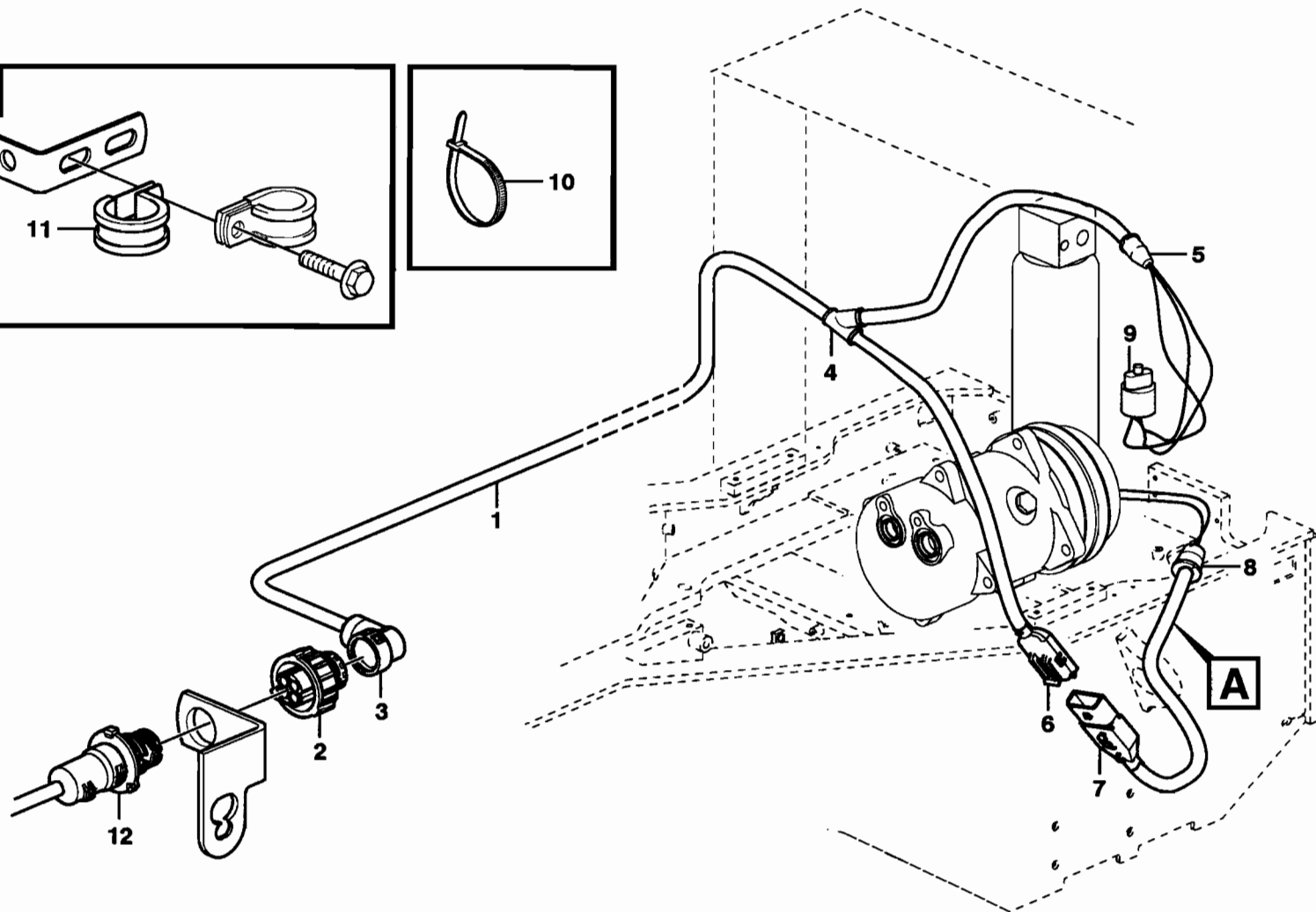
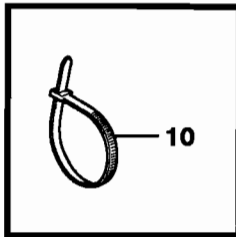
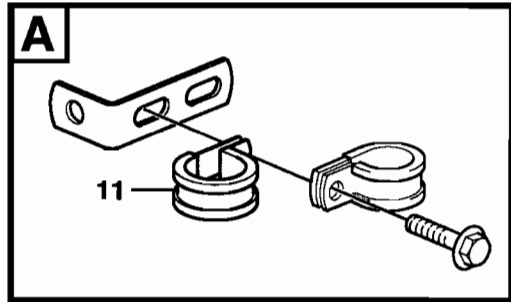
| Fig. | Part No. | Quantity | | | P S | K I T | Description | Dénomination | Bezeichnung | Denominación | Benämning | Notes |
|------|--------------|----------|---|---|--------|-------------------------|-----------------------|-----------------------|-----------------------|--------------------|--------------|-------|
| | | 1 | 2 | 3 | | | | | | | | |
| 1 | VOE 11170517 | 1 | | | | Cable harness..... | Faisceau cables..... | Kabelbaum..... | Manojo cables..... | Ledningsmatta..... | 1245) | |
| | | | | | | •CONNECTED TO: | •CONNECTÉ A: | •ANGESCHLOSSEN: | •CONECTADO A: | •ANSLUTER TILL: | | |
| | | | | | | ••Wire harness | ••Faisceau cables | ••Kabelbaum | ••Manojo cables | ••Ledningsmatta | TV701, MR:10 | |
| | | | | | | ••Fuse | ••Fusible | ••Sicherung | ••Fusible | ••Säkring | FU 54B | |
| | | | | | | ••Earth | ••Terre | ••Erde | ••Tierra | ••Jord | 101B | |
| 2 | | 1 | | | NS | •Housing..... | •Carter..... | •Gehäuse..... | •Carter..... | •Hus..... | | |
| 3 | VOE 1096619 | 1 | | | | •Insulator..... | •Isolateur..... | •Isolator..... | •Aislador..... | •Isolator..... | | |
| 4 | VOE 13949597 | 1 | | | | •Protecting Sleeve..... | •Manchon Protection.. | •Schutzhülle..... | •Manguito Protec..... | •Skyddshylsa..... | | |
| 5 | VOE 13969160 | 1 | | | | Fuse..... | Fusible..... | Schmelzsicherung..... | Fusible..... | Smältsäkring..... | | |
| 6 | VOE 968388 | 1 | | | | Insulator..... | Isolateur..... | Isolator..... | Aislador..... | Isolator..... | TV701 | |
| 7 | VOE 4881440 | REQ | | | | Strip Clamp..... | Ruban Serrage..... | Kabelbinder..... | Abraz Cinta..... | Bandklamma..... | | |

1245) **GB:** Including parts: Wire assembly, hose, manifold, cable terminal and isulator See Group 379. **FR:** Article: cable, flexible, tubulure, cosse cable y isolant. See Group 379 **DE:** Artikeln: El leitung, Schlauch, Verzweigung, Kabelschuh und Isolator. See Group 379. **ES:** Articulo: cable, manguera, bifurcacion, terminal cable et aislador. See Group 379. **SE:** Artiklar: ledning, slang, förgrening, ledningssko och isolator. See Group 379

| | | | | |
|---|--|--|-----------------------|-------------|
| 1 | | Ledningsmatta för monitor. | Catalogue id | Group |
| 2 | | Manojo de cables para pantalla. | 20007 | 371 |
| 3 | | Kabelbaum für Monitor. | Illustr. No | Section |
| 4 | | Faisceau de câbles pour moniteur. | EK394 | 1600 |
| 5 | | Cable harness for monitor. | Issue | Page |
| | | 82178 | VOE 63D9920007 | 287 |

VOLVO

L90E



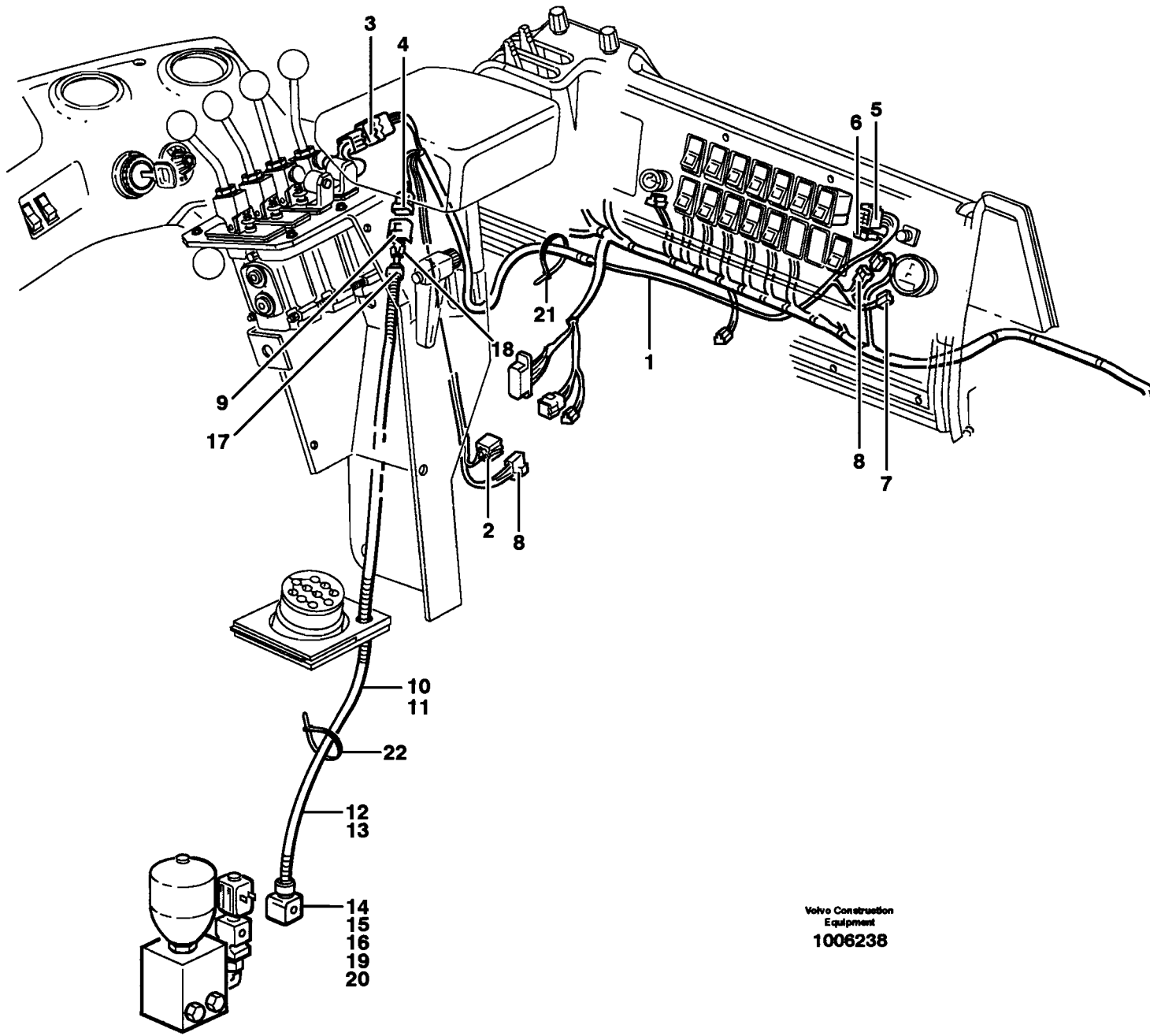
Volvo Construction
Equipment
1007177

| Fig. | Part No. | Quantity | | | P S | K I T | Description | Dénomination | Bezeichnung | Denominación | Benämning | Notes |
|------|--------------|----------|---|---|--------|-------------|--|--------------|-------------|--------------|-----------|-------|
| | | 1 | 2 | 3 | | | | | | | | |
| 1 | VOE 11170881 | 1 | | | | | Cable harness..... Faisceau cables..... Kabelbaum..... Manajo cables..... Ledningsmatta..... •CONNECTED TO:.....•CONNECTÉ A:.....•ANGESCHLOSSEN:.....•CONECTADO A:.....•ANSLUTER TILL:..... •Cable harness.....•Faisceau cables.....•Kabelbaum.....•Manajo cables.....•Ledningsmatta..... RL •Compressor.....•Compresseur.....•Kompressor.....•Compresor.....•Kompressor..... MA801 •Pressure Switch.....•Mano contact.....•Druckschalter.....•Manocontacto.....•Tryckkontakt..... SE804 | | | | | |
| 2 | VOE 3963412 | 1 | | | | | •Rcpt Housing.....•Douille Isolan.....•Steckbuchse.....•Aislador Mangui.....•Hylsisolator..... | | | | | |
| 3 | VOE 3985598 | 1 | | | | | •Guard.....•Protection.....•Schutz.....•Protección.....•Skydd..... | | | | | |
| 4 | VOE 11039665 | 1 | | | | | •Manifold.....•Tubulure.....•Verzweigung.....•Bifurcacion.....•Förgrening..... | | | | | |
| 5 | VOE 11039397 | 1 | | | | | •End Sleeve.....•Douille Extrem.....•Aderendhülse.....•Manguito Final.....•Ändhylsa..... | | | | | |
| 6 | VOE 1624477 | 1 | | | | | •Rcpt Housing.....•Douille Isolan.....•Steckbuchse.....•Aislador Mangui.....•Hylsisolator..... | | | | | |
| 7 | VOE 8143240 | 1 | | | | | Insulator..... Isolateur..... Isolator..... Aislador..... Isolator..... | | | | | |
| 8 | VOE 11039397 | 1 | | | | | End Sleeve..... Douille Extrem..... Aderendhülse..... Manguito Final..... Ändhylsa..... | | | | | |
| 9 | VOE 11005913 | 1 | | | | | Pressure Switch..... Mano contact..... Druckschalter..... Manocontacto..... Tryckkontakt..... SE804 | | | | | |
| 10 | VOE 4881440 | 9 | | | | | Strip Clamp..... Ruban Serrage..... Kabelbinder..... Abraz Cinta..... Bandklamma..... | | | | | |
| 11 | VOE 13949746 | 1 | | | | | Clamp..... Pince Serrage..... Klemme..... Abrazadera..... Klämma..... | | | | | |
| 12 | | 1 | | | | | Cable harness..... Faisceau cables..... Kabelbaum..... Manajo cables..... Ledningsmatta..... See group 371, Page 249 | | | | | |

| | | | | |
|---|--|---------------------------------|----------------|---------|
| 1 | | Ledningsmatta, kompressor | Catalogue id | Group |
| 2 | | Haz de cables, compresor | 20007 | 371 |
| 3 | | Kabelbäume, Kompressor | Illustr. No | Section |
| 4 | | Faisceau de câbles, compresseur | 1007177 | 1650 |
| 5 | | Cable harness, compressor | Issue | Page |
| | | 80813 ,80868 | VOE 63D9920007 | 289 |

VOLVO

L90E



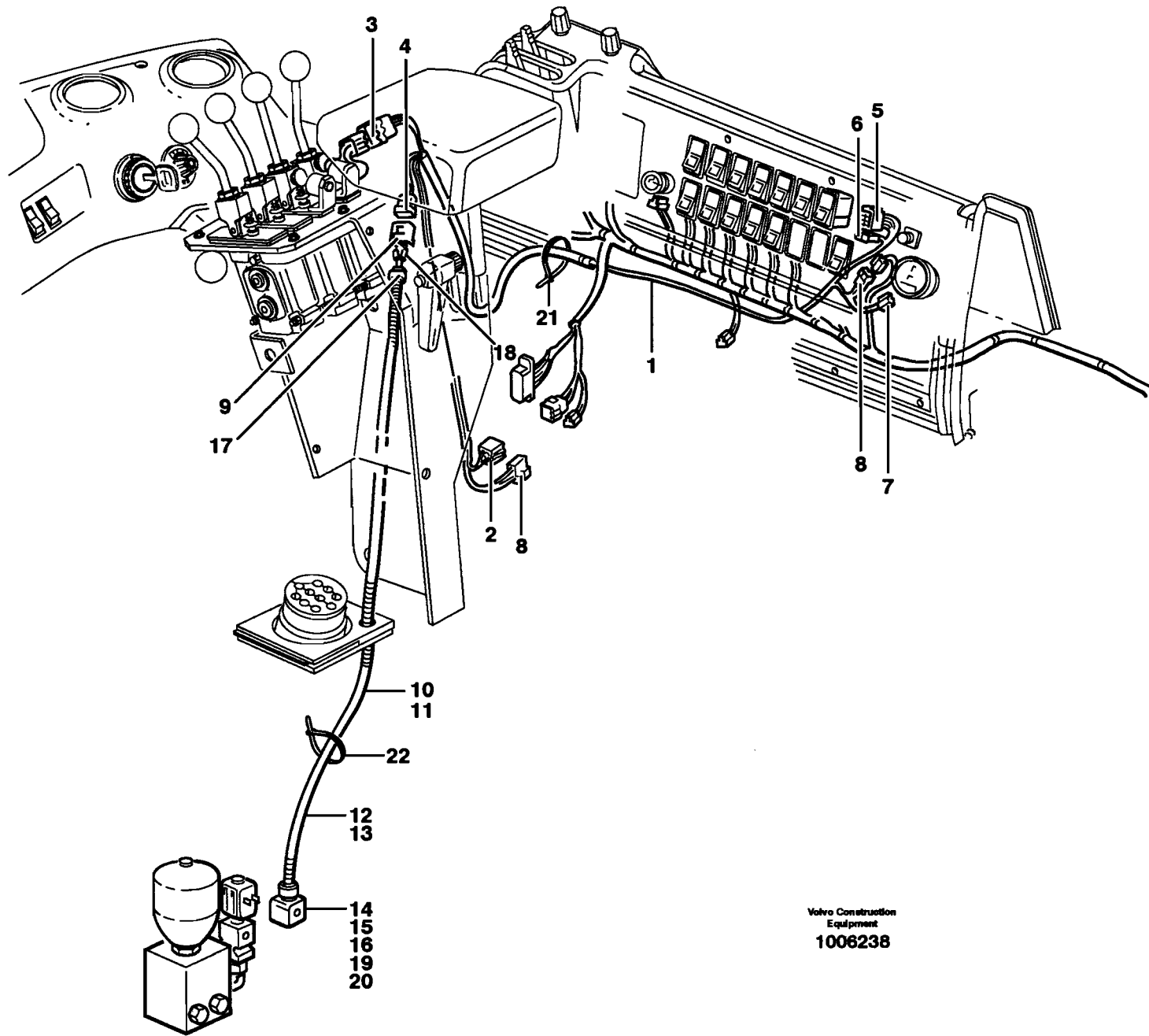
Volvo Construction
 Equipment
 1006238

| Fig. | Part No. | Quantity | | | P S | K I T | Description | Dénomination | Bezeichnung | Denominación | Benämning | Notes |
|------|--------------|----------|---|---|--------|-------------|--|--------------|-------------|--------------|-----------|---|
| | | 1 | 2 | 3 | | | | | | | | |
| 1 | VOE 11040524 | 1 | | | | | Cable harness..... Faisceau cables..... Kabelbaum..... Manojos cables..... Ledningsmatta..... •CONNECTED TO:..... •CONNECTÉ A:..... •ANGESCHLOSSEN:..... •CONECTADO A:..... •ANSLUTER TILL:..... •Wire harness..... •Faisceau cables..... •Kabelbaum..... •Manojos cables..... •Ledningsmatta..... •Control panel..... •Panneau command..... •Bedienungstafel..... •Panel mando..... •Reglagepanel..... | | | | | SF, SH, SJ, SL, SK SW911 |
| | VOE 970550 | REQ | | | | | •El Cable..... •Fil Electrique..... •El-leitung..... •Cable Electrico..... •Elledning..... | | | | | SH1,SH3,SH5,SW911:8,SJ2 SW911:10,SL1,SW911:6,S |
| | VOE 970579 | REQ | | | | | •El Cable..... •Fil Electrique..... •El-leitung..... •Cable Electrico..... •Elledning..... | | | | | SF2,SH2 |
| | VOE 970558 | REQ | | | | | •El Cable..... •Fil Electrique..... •El-leitung..... •Cable Electrico..... •Elledning..... | | | | | SF4,SH4 |
| | VOE 970553 | REQ | | | | | •El Cable..... •Fil Electrique..... •El-leitung..... •Cable Electrico..... •Elledning..... | | | | | SF6,SH6 |
| | VOE 970554 | REQ | | | | | •El Cable..... •Fil Electrique..... •El-leitung..... •Cable Electrico..... •Elledning..... | | | | | SW911:5,SJ1 |
| | VOE 970559 | REQ | | | | | •El Cable..... •Fil Electrique..... •El-leitung..... •Cable Electrico..... •Elledning..... | | | | | SW911:9,SL2 |
| | VOE 969830 | 4 | | | | | •Cable terminal..... •Cosse cable..... •Flachsteckhülse..... •Terminal cable..... •Ledningsska..... | | | | | SH1,2,4,6 |
| | VOE 969836 | 3 | | | | | •Cable terminal..... •Cosse cable..... •Flachsteckhülse..... •Terminal cable..... •Ledningsska..... | | | | | SF2,4,6 |
| | VOE 969832 | 2 | | | | | •Cable terminal..... •Cosse cable..... •Flachsteckhülse..... •Terminal cable..... •Ledningsska..... | | | | | SH3,5 |
| | VOE 970745 | 4 | | | | | •Cable terminal..... •Cosse cable..... •Flachsteckhülse..... •Terminal cable..... •Ledningsska..... | | | | | SW911-5,6,7,8 |
| | VOE 973149 | 4 | | | | | •Cable terminal..... •Cosse cable..... •Flachsteckhülse..... •Terminal cable..... •Ledningsska..... | | | | | SW911-23,26.SL28,29 |
| | VOE 973117 | 1 | | | | | •Cable terminal..... •Cosse cable..... •Flachsteckhülse..... •Terminal cable..... •Ledningsska..... | | | | | SJ3,7 |
| | VOE 13949003 | 2 | | | | | •Cable terminal..... •Cosse cable..... •Flachsteckhülse..... •Terminal cable..... •Ledningsska..... | | | | | SK1,2 |
| 2 | VOE 948294 | 1 | | | | | •Insulator..... •Isolateur..... •Isolator..... •Aislador..... •Isolator..... | | | | | |
| 3 | VOE 948295 | 1 | | | | | •Pin Housing..... •Fiche Isolante..... •Rundstecker..... •Aislador Clavija..... •Stiftisolator..... | | | | | |
| 4 | VOE 1307048 | 1 | | | | | •Insulator..... •Isolateur..... •Isolator..... •Aislador..... •Isolator..... | | | | | |
| 5 | VOE 4803454 | 1 | | | | | •Rcpt Housing..... •Douille Isolan..... •Steckbuchse..... •Aislador Mangui..... •Hylisolator..... | | | | | |
| 6 | VOE 4803532 | 1 | | | | | •Rcpt Housing..... •Douille Isolan..... •Steckbuchse..... •Aislador Mangui..... •Hylisolator..... | | | | | |
| 7 | VOE 13958210 | 1 | | | | | •Rcpt Housing..... •Douille Isolan..... •Steckbuchse..... •Aislador Mangui..... •Hylisolator..... | | | | | |
| 8 | VOE 958209 | 2 | | | | | •Insulator..... •Isolateur..... •Isolator..... •Aislador..... •Isolator..... | | | | | |
| 9 | VOE 1307049 | 1 | | | | | Pin Housing..... Fiche Isolante..... Rundstecker..... Aislador Clavija..... Stiftisolator..... | | | | | |
| 10 | VOE 11170822 | 1 | | | | | Cable harness..... Faisceau cables..... Kabelbaum..... Manojos cables..... Ledningsmatta..... •CONNECTED TO:..... •CONNECTÉ A:..... •ANGESCHLOSSEN:..... •CONECTADO A:..... •ANSLUTER TILL:..... •Wire harness..... •Faisceau cables..... •Kabelbaum..... •Manojos cables..... •Ledningsmatta..... •Solenoid valve..... •Valve solenoide..... •Solenoid Ventil..... •Válvula solenoid..... •Proport.ventil..... | | | | | SK MA 912 |

| | | | | |
|---|--|--|-----------------------|-------------|
| 1 | | Ledningsmatta för 3:e och 4:e funktion. | Catalogue id | Group |
| 2 | | Haz de cables para 3a y 4a función. | 20007 | 371 |
| 3 | | Kabelbaum für 3. und 4. Funktion. | Illustr. No | Section |
| 4 | | Faisceau de câbles pour 3ème et 4ème fonction | 1006238 | 1700 |
| 5 | | Cable harness for 3rd and 4th function. | Issue | Page |
| | | 80930 | VOE 63D9920007 | 291 |

VOLVO

L90E



10
11

22

12
13

14
15
16
19
20

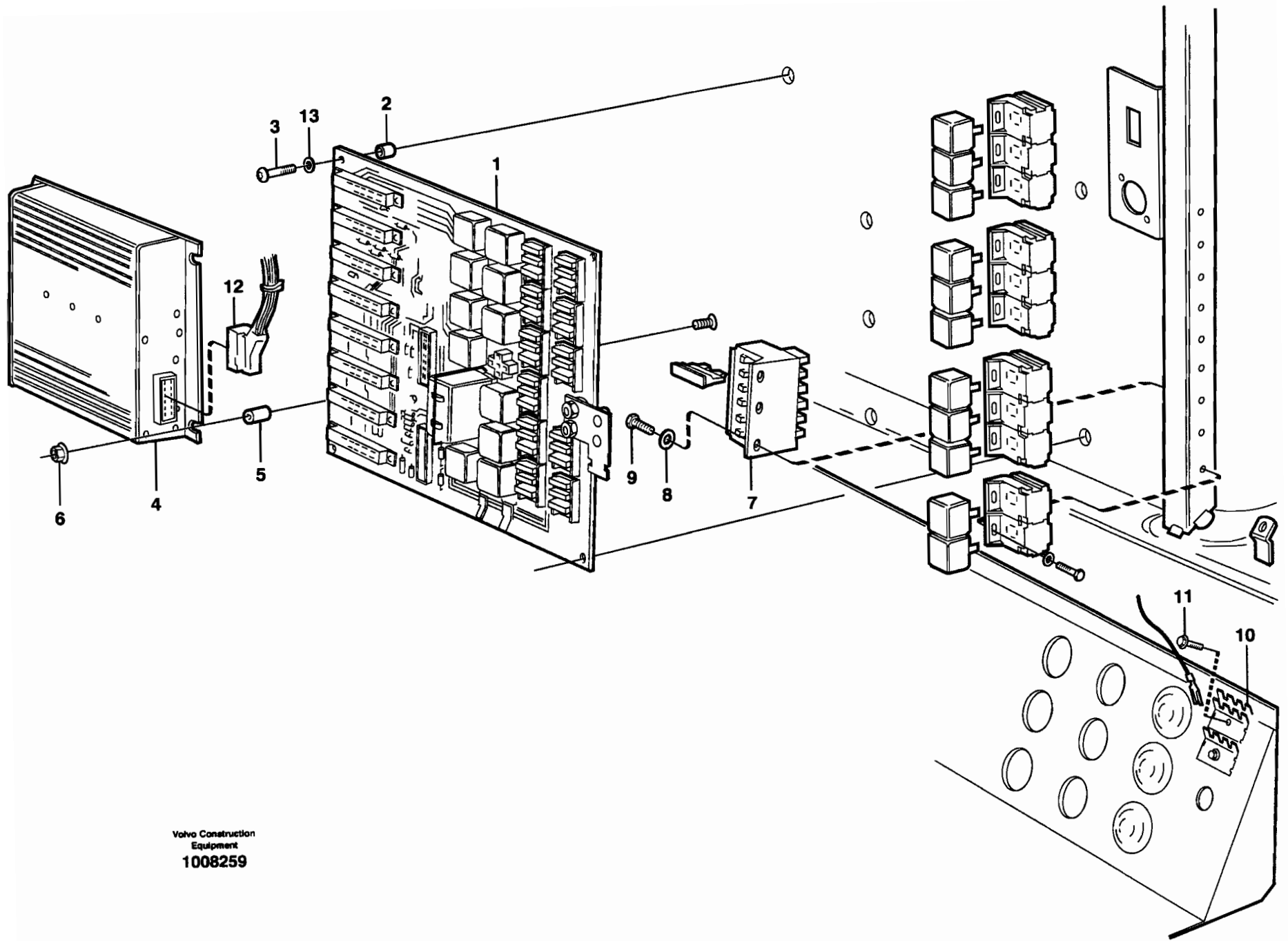
Volvo Construction
Equipment
1006238

| Fig. | Part No. | Quantity | | | P S | K I T | Description | Dénomination | Bezeichnung | Denominación | Benämning | Notes |
|------|--------------|----------|---|---|--------|-------------|-----------------------|-------------------------|------------------------|-----------------------|-----------------------|-------|
| | | 1 | 2 | 3 | | | | | | | | |
| 11 | VOE 4803746 | REQ | | | | | •Hose | •Durit | •Schlauch | •Tubo flexible..... | •Slang..... | |
| 12 | VOE 970630 | REQ | | | | | •El Cable | •Fil Electrique | •El-leitung | •Cable Electrico..... | •Elledning..... | |
| 13 | VOE 970624 | REQ | | | | | •El Cable | •Fil Electrique | •El-leitung | •Cable Electrico..... | •Elledning..... | |
| 14 | VOE 976256 | 1 | | | | | •Insulator | •Isolateur | •Isolator | •Aislador | •Isolator..... | |
| 15 | VOE 970773 | 2 | | | | | •Cable Seal | •Joint d'étanchéité po. | •Leitungsdicht | •Sellador Cable | •Ledningstätning..... | |
| 16 | VOE 8142100 | 1 | | | | | •Adapter | •Raccord Reduct. | •Verbind Stutzen | •Adaptador | •Adapter..... | |
| 17 | VOE 11039397 | 1 | | | | | •End Sleeve | •Douille Extrem. | •Aderendhülse..... | •Manguito Final | •Ändhylsa..... | |
| 18 | | 2 | | | NS | | •Cable terminal | •Cosse cable | •Kabelschuh | •Terminal cable | •Kabelsko..... | |
| 19 | VOE 970779 | 2 | | | | | •Cable terminal | •Cosse cable | •Flachsteckhülse | •Terminal cable | •Ledningssko..... | |
| 20 | VOE 1095059 | 1 | | | | | •Joint Nipple..... | •Raccord | •Verbind Nippel | •Niple Union | •Skarvnippel..... | |
| 21 | VOE 4881440 | 2 | | | | | Strip Clamp | Ruban Serrage..... | Kabelbinder | Abraz Cinta | Bandklamma..... | |
| 22 | VOE 4821292 | 2 | | | | | Strip Clamp | Ruban Serrage..... | Kabelbinder | Abraz Cinta | Bandklamma..... | |

| | | | | |
|---|-------|--|----------------|-------------|
| 1 | | Ledningsmatta för 3:e och 4:e funktion. Haz de cables para 3a y 4a función. Kabelbaum für 3. und 4. Funktion. Faisceau de câbles pour 3ème et 4ème fonction Cable harness for 3rd and 4th function. | Catalogue id | Group |
| 2 | | | 20007 | 371 |
| 3 | | | Illustr. No | Section |
| 4 | | | 1006238 | 1700 |
| 5 | | | Issue | Page |
| | 80930 | VOE 63D9920007 | 293 | |

VOLVO

L90E



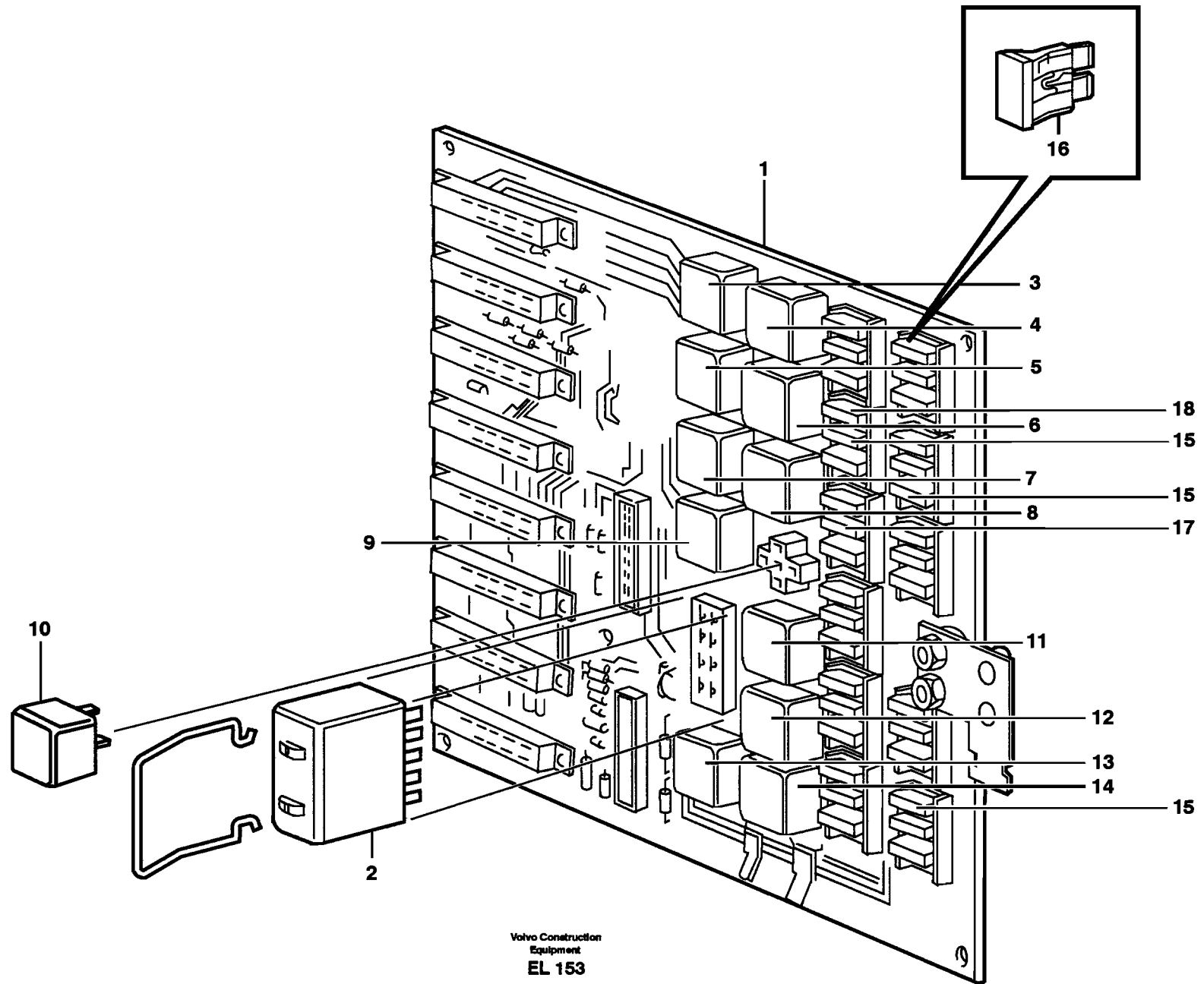
Volvo Construction
Equipment
1008259

| Fig. | Part No. | Quantity | | | P S | K I T | Description | Dénomination | Bezeichnung | Denominación | Benämning | Notes |
|------|--------------|----------|---|---|--------|-------------|----------------------|-----------------------|------------------------|------------------------|-----------------------|-------------------------|
| | | 1 | 2 | 3 | | | | | | | | |
| 1 | | 1 | | | | NS | Circuit Board | Carte Circuit | Leiterrahnpl | Placa Circuito | Kretskort | See group 372, Page 297 |
| 2 | VOE 11006880 | 8 | | | | | Spacer Sleeve | Douï.entretoise | Distanzhülse | Manguito Dist | Distanshylsa | |
| 3 | VOE 13980220 | 8 | | | | | Screw | Vis | Schraube | Tornillo | Skruv | |
| 4 | VOE 11184401 | 1 | | | | | ECU | ECU | ECU | ECU | ECU | V-ECU |
| 5 | VOE 930418 | 3 | | | | | Spacer Ring | Bagu.entretoise | Abstandring | Anillo Dist | Distansring | |
| 6 | VOE 13963105 | 3 | | | | | Lock nut | Contre-ecrou | Sicherungsmutter | Contratuerca | Låsmutter | |
| 7 | VOE 11039302 | 1 | | | | | Fuse Holder | Porte fusible | Sicherungshalter | Porta-fusible | Säkringshållare | |
| 8 | VOE 13940090 | 2 | | | | | Washer | Rondelle | Scheibe | Arandela | Bricka | |
| 9 | VOE 13969278 | 2 | | | | | Screw | Vis | Schraube | Tornillo | Skruv | |
| 10 | VOE 9148415 | 2 | | | | | Terminal block | Bloc connexion | Steckterminal | Regleta conexion | Kopplingsplint | |
| 11 | VOE 13948746 | 1 | | | | | Screw | Vis | Schraube | Tornillo | Skruv | |
| 12 | | 1 | | | | | Wire harness | Faisceau cables | Kabelbaum | Manojo cables | Ledningsmatta | See group 372, Page 301 |
| 13 | VOE 13962653 | 8 | | | | | Washer | Rondelle | Scheibe | Arandela | Bricka | |

| | | | | |
|---|--|---|-----------------------|------------|
| 1 | | Elcentral | Catalogue id | Group |
| 2 | | Unidad de distribución eléctrica | 20007 | 372 |
| 3 | | Elektrozentrale | Illustr. No | Section |
| 4 | | Unité de distribution électrique | 1008259 | 100 |
| 5 | | Electrical distribution box | Issue | Page |
| | | STD, OPEN ROPS | VOE 63D9920007 | 295 |

VOLVO

L90E



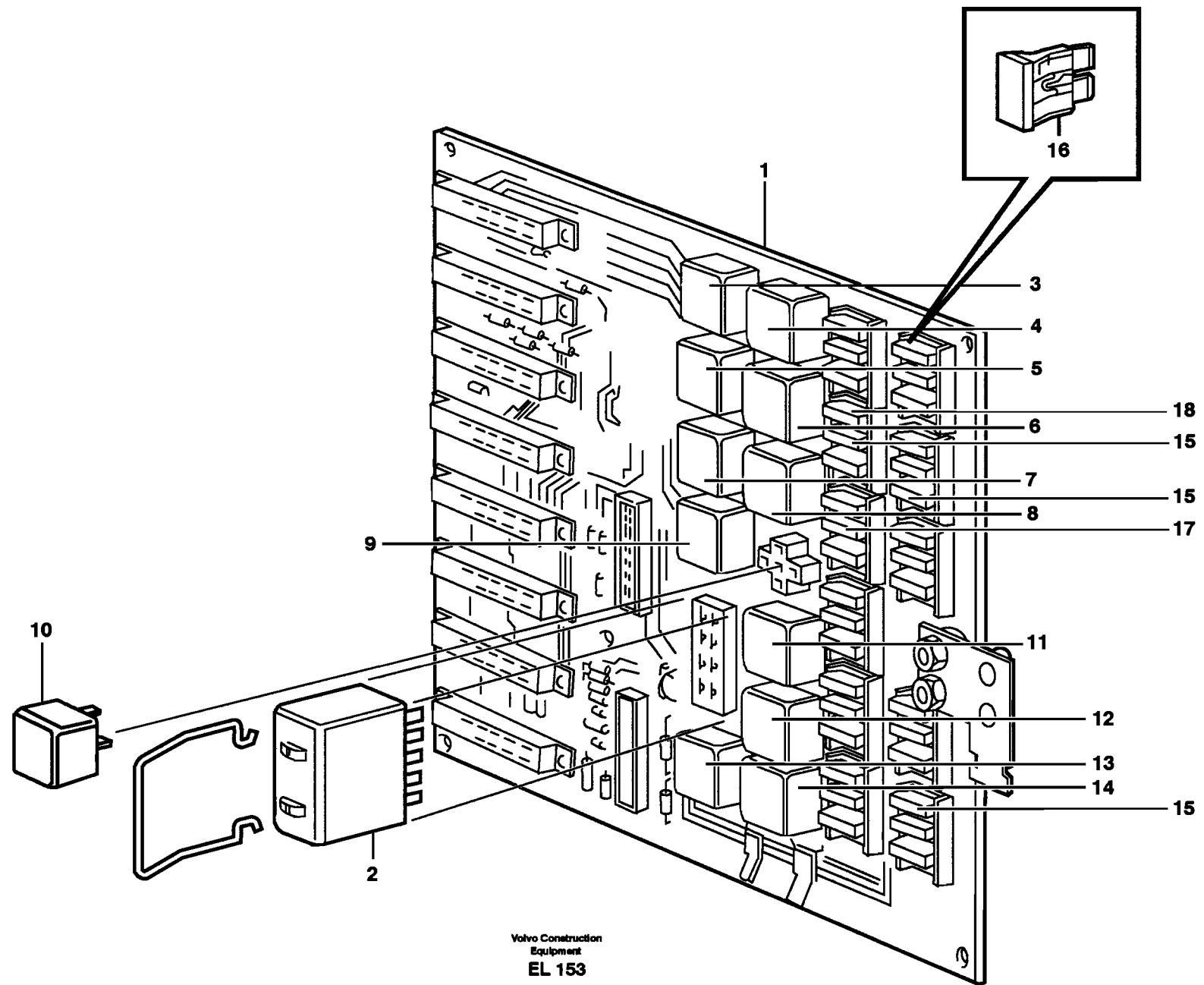
Volvo Construction
 Equipment
 EL 153

| Fig. | Part No. | Quantity | | | P S | K I T | Description | Dénomination | Bezeichnung | Denominación | Benämning | Notes |
|------|--------------|----------|---|---|--------|-----------------------|------------------------|----------------------|-----------------------|-----------------------|--------------|-------|
| | | 1 | 2 | 3 | | | | | | | | |
| 1 | VOE 11170013 | 1 | | | NS | Ptd Circuit Bd | Carte Circuit | Leiterbahnpl | Placa Circuito | Kretskort | | |
| | | 1 | | | | •Ptd Circuit Bd | •Carte Circuit | •Leiterbahnpl | •Placa Circuito | •Kretskort | | |
| 2 | VOE 11170048 | 1 | | | | •Relay: | •Relais: | •Relais: | •Rele: | •Relä: | | |
| 3 | VOE 20374662 | 1 | | | | Flasher Relay | Relais Clignot | Blinkrelais | Rele Intermit | Blinkrelä | RF1 | |
| 4 | VOE 20374662 | 1 | | | | •Relay | •Relais | •Relais | •Rele | •Relä | RE1 | |
| | | | | | | ••Tilt automatic | ••Automatique redres | ••Schwenkautomatik | ••Automatismo volqu | ••Tiltautomatik | | |
| 5 | VOE 20374662 | 1 | | | | •Relay | •Relais | •Relais | •Rele | •Relä | RE2 | |
| | | | | | | ••15A-feed | ••Alimentation 15A | ••15A-speisung | ••Alimentación 15A | ••15A matning | | |
| 6 | VOE 20374662 | 1 | | | | •Relay | •Relais | •Relais | •Rele | •Relä | RE3 | |
| | | | | | | ••Boom kickout | ••Automatique levage | ••Hubwerkautomatik | ••Elevador automatic | ••Lyftautomatik | | |
| 7 | VOE 20374662 | 1 | | | | •Relay | •Relais | •Relais | •Rele | •Relä | RE4 | |
| | | | | | | ••15B-feed | ••Alimentation 15B | ••15B-speisung | ••Alimentación 15B | ••15B-matning | | |
| 8 | VOE 20374662 | 1 | | | | •Relay | •Relais | •Relais | •Rele | •Relä | RE5 | |
| | | | | | | ••Intermit.wiper,rear | ••Es.glace inter, Ar | ••Pausenwischer,hint | ••Limp.bris inter,tra | ••Intervalltork. bak | | |
| 9 | VOE 20374662 | 1 | | | | •Relay | •Relais | •Relais | •Rele | •Relä | RE6 | |
| | | | | | | ••Interm.wiper,front | ••Es.glace inter Av | ••Pausenwischer,vor | ••Limp.bris inter, de | ••Intervalltork. fram | | |
| 10 | VOE 20374662 | 1 | | | | •Relay | •Relais | •Relais | •Rele | •Relä | RE7 | |
| | | | | | | ••Boom suspension | ••Amort. vibration | ••Schwing.dämpf | ••Amort. vibracion | ••Lastarmsfjädring, B | | |
| 11 | VOE 20374662 | 1 | | | | •Relay | •Relais | •Relais | •Rele | •Relä | RE8 | |
| | | | | | | ••Start inhibitor | ••Blocage demarr. | ••Wiederholssperre | ••Bloqueo arranqu | ••Startspärr | | |
| 12 | VOE 20374662 | 1 | | | | •Relay | •Relais | •Relais | •Rele | •Relä | RE9 | |
| | | | | | | ••Start inhibitor | ••Blocage demarr. | ••Wiederholssperre | ••Bloqueo arranqu | ••Startspärr | | |
| 13 | VOE 20374662 | 1 | | | | •Relay | •Relais | •Relais | •Rele | •Relä | RE10 | |
| | | | | | | ••Work lights | ••Eclairage de travail | ••Arbeitsbeleuchtung | ••Alumbrado de trabaj | ••Arbetsbelysning | 80886, 82342 | |
| 14 | VOE 20374662 | 1 | | | | •Relay | •Relais | •Relais | •Rele | •Relä | RE11 | |
| | | | | | | ••30-feed | ••Alimentation 30 | ••30-speisung | ••Alimentación 30 | ••30-matning | | |
| | | | | | | ••15EA-feed | ••Alimentation 15EA | ••15EA-speisung | ••Alimentación 15EA | ••15EA-matning | | |

| | | | | |
|---|--|-------------------|----------------|---------|
| 1 | | Kretskort | Catalogue id | Group |
| 2 | | Placa de circuito | 20007 | 372 |
| 3 | | Leiterbahnplatte | Illustr. No | Section |
| 4 | | Carte circuit | EL153 | 150 |
| 5 | | Circuit board | Issue | Page |
| | | STD, OPEN ROPS | VOE 63D9920007 | 297 |

VOLVO

L90E



Volvo Construction
 Equipment
 EL 153

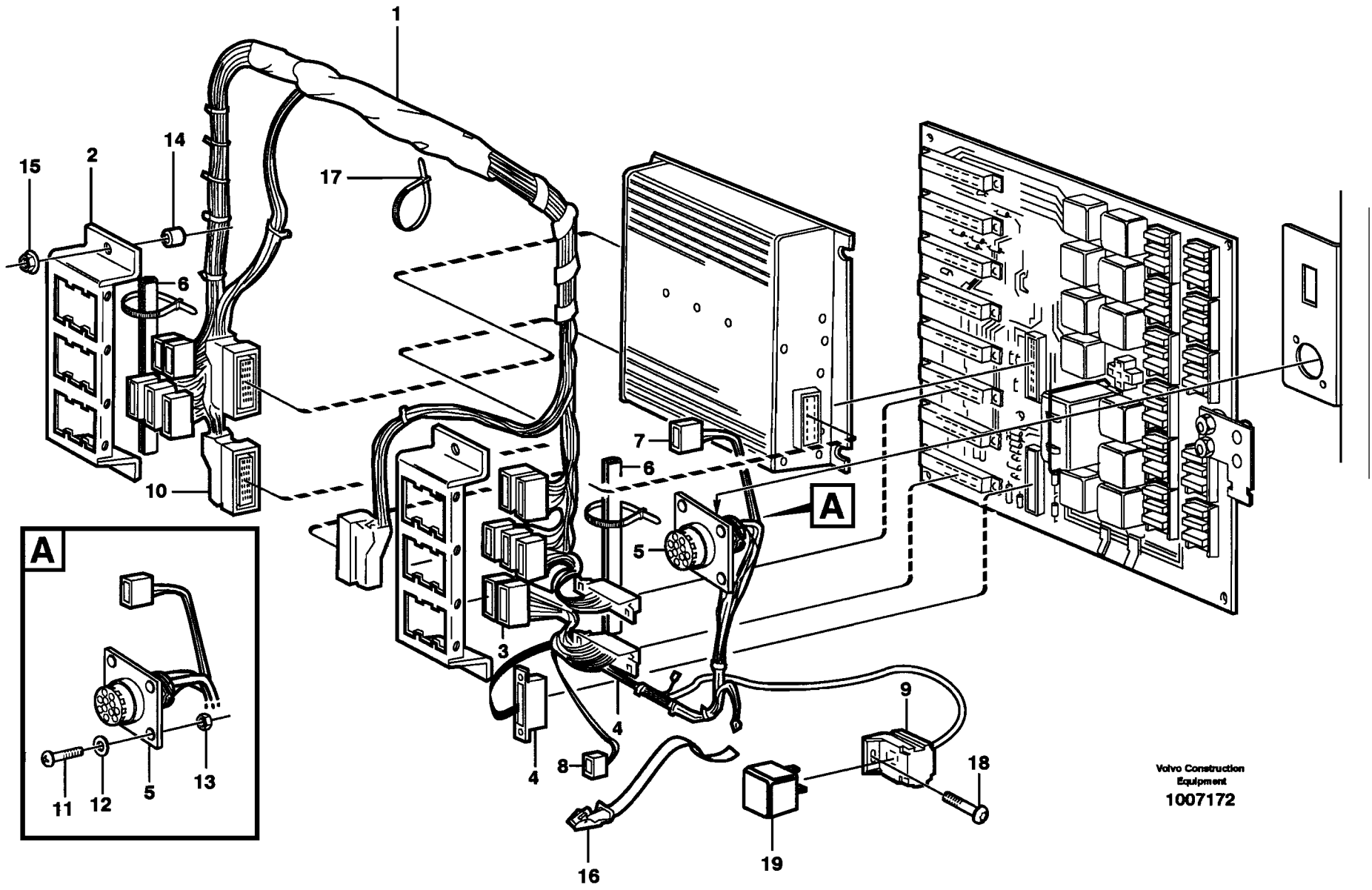
| Fig. | Part No. | Quantity | | | P S | K I T | Description | Dénomination | Bezeichnung | Denominación | Benämning | Notes |
|------|----------|----------|---|---|--------|-------------|-------------|--------------|-------------|--------------|-----------|-------|
| | | 1 | 2 | 3 | | | | | | | | |

| | | | | | | | | | | | |
|----|--------------|----|--|--|--|------------|----------------|------------------------|----------------|--------------------|-----|
| 15 | VOE 13969160 | 15 | | | | •Fuse: | •Fusible: | •Schmelzsicherg: | •Fusible: | •Smältsäkring: | |
| 16 | VOE 969161 | 13 | | | | •Fuse..... | •Fusible | •Schmelzsicherung..... | •Fusible | •Smältsäkring..... | 5A |
| 17 | VOE 13969162 | 2 | | | | •Fuse..... | •Fusible | •Schmelzsicherung..... | •Fusible | •Smältsäkring..... | 10A |
| 18 | VOE 978999 | 3 | | | | •Fuse..... | •Fusible | •Schmelzsicherung..... | •Fusible | •Smältsäkring..... | 15A |
| | | | | | | | | | | | 20A |

| | | | | |
|---|--|-------------------|----------------|---------|
| 1 | | Kretskort | Catalogue id | Group |
| 2 | | Placa de circuito | 20007 | 372 |
| 3 | | Leiterbahnplatte | Illustr. No | Section |
| 4 | | Carte circuit | EL153 | 150 |
| 5 | | Circuit board | Issue | Page |
| | | STD, OPEN ROPS | VOE 63D9920007 | 299 |

VOLVO

L90E



Volvo Construction
 Equipment
 1007172

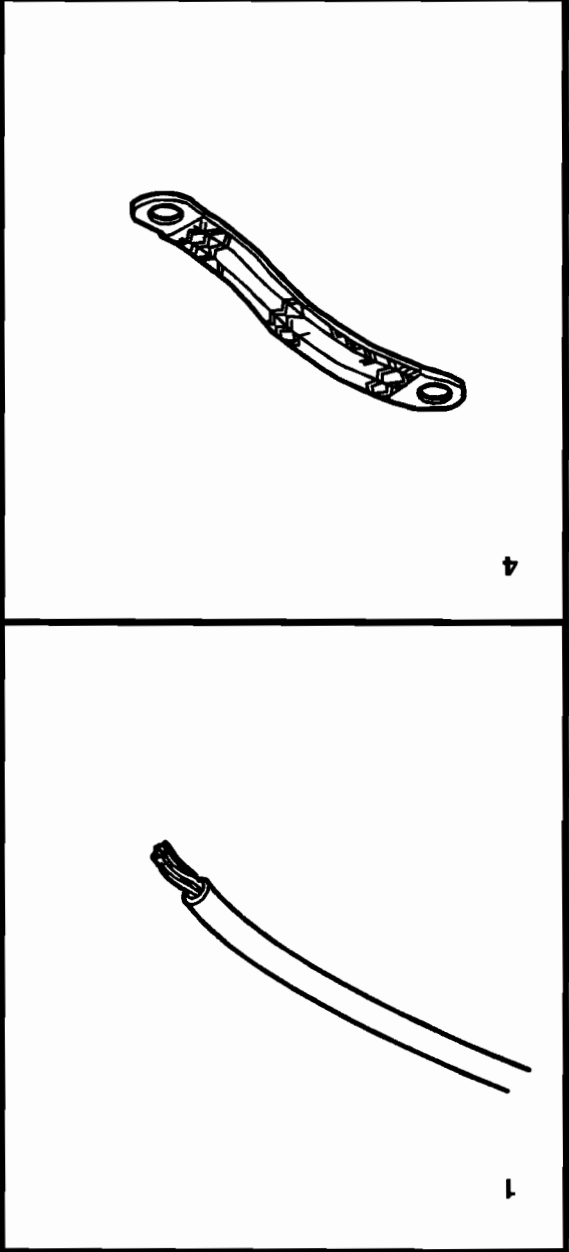
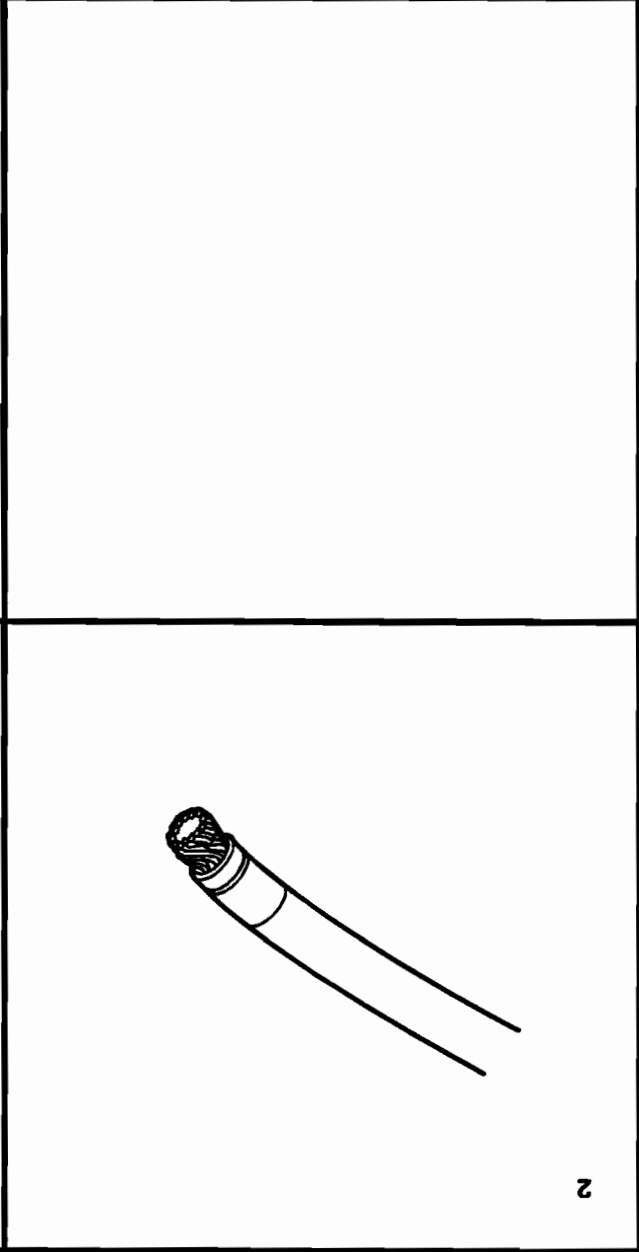
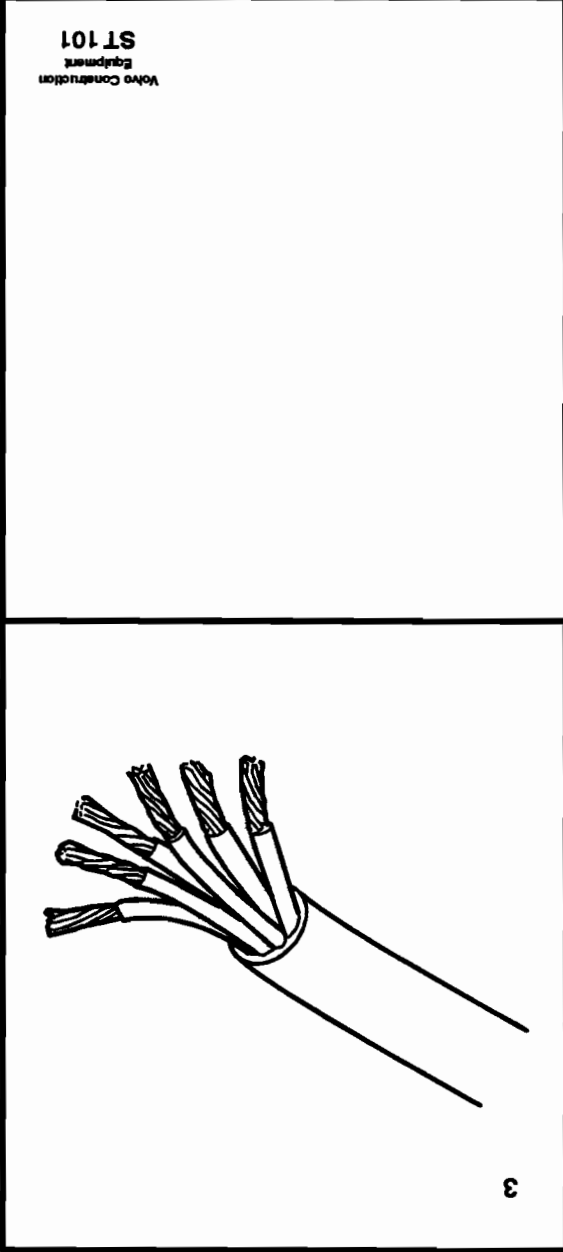
| Fig. | Part No. | Quantity | | | P S | K I T | Description | Dénomination | Bezeichnung | Denominación | Benämning | Notes |
|------|--------------|----------|---|---|--------|------------------------|------------------------|-----------------------|------------------------|--------------------|-------------------------|-------|
| | | 1 | 2 | 3 | | | | | | | | |
| 1 | VOE 11171290 | 1 | | | | Cable harness..... | Faisceau cables..... | Kabelbaum..... | Manejo cables..... | Ledningsmatta..... | 1245) | |
| | | | | | | •CONNECTED TO: | •CONNECTÉ A: | •ANGESCHLOSSEN: | •CONECTADO A: | •ANSLUTER TILL: | | |
| | | | | | | •Electronic unit | •Unité électronique | •Elektronikeinheit | •Unidad electrónica | •Elektronikenhet | V-ECU, EA, EB, EC. | |
| | | | | | | •Circuit Board | •Carte Circuit | •Leiterrahnpl | •Placa Circuito | •Kretskort | E, C, RD | |
| | | | | | | •Wire harness | •Faisceau cables | •Kabelbaum | •Manejo cables | •Ledningsmatta | SH, MR, D, SC, CDC, TB, | |
| | | | | | | •Service display | •Indicateur service | •Servicedisplay | •Visualizador servici | •Service display | IA, IB | |
| | | | | | | •Relay | •Relais | •Relais | •Rele | •Relä | RE806 | |
| | | | | | | •Fuse | •Fusible | •Sicherung | •Fusible | •Säkring | FU54 | |
| 2 | VOE 11041346 | 2 | | | | •Retainer..... | •Retenue..... | •Halter..... | •Soporte..... | •Hållare..... | | |
| 3 | VOE 1096615 | 13 | | | | •Insulator..... | •Isolateur..... | •Isolator..... | •Aislador..... | •Isolator..... | | |
| 4 | VOE 1096619 | 3 | | | | •Insulator..... | •Isolateur..... | •Isolator..... | •Aislador..... | •Isolator..... | | |
| 5 | VOE 14340067 | 1 | | | | •Socket housing..... | •Douille isolante..... | •Steckdose..... | •Aislador mangui..... | •Hylsisolator..... | | |
| 6 | VOE 4785436 | REQ | | | | •Protecting Moulding.. | •Lisse Protection..... | •Schonleiste..... | •Moldura Proteccion... | •Skyddslist..... | | |
| 7 | VOE 1096614 | 1 | | | | •Insulator..... | •Isolateur..... | •Isolator..... | •Aislador..... | •Isolator..... | | |
| 8 | VOE 13958210 | 1 | | | | •Rcpt Housing..... | •Douille Isolan..... | •Steckbuchse..... | •Aislador Mangui..... | •Hylsisolator..... | | |
| 9 | VOE 977184 | 1 | | | | •Insulator..... | •Isolateur..... | •Isolator..... | •Aislador..... | •Isolator..... | | |
| 10 | VOE 11039660 | 1 | | | | •Insulator..... | •Isolateur..... | •Isolator..... | •Aislador..... | •Isolator..... | | |
| 11 | VOE 956047 | 2 | | | | X Rec Screw..... | Vis Empre Cruci..... | Kreuzschl.schr..... | Tornillo Cruz..... | Krysskruv..... | | |
| 12 | VOE 955890 | 2 | | | | Washer..... | Rondelle..... | Scheibe..... | Arandela..... | Bricka..... | | |
| 13 | VOE 13966650 | 2 | | | | Lock nut..... | Contre-ecrou..... | Sicherungsmutter..... | Contratuerca..... | Låsmutter..... | | |
| 14 | VOE 930418 | 4 | | | | Spacer Ring..... | Bagu.entretoise..... | Abstandring..... | Anillo Dist..... | Distansring..... | | |
| 15 | VOE 13963105 | 4 | | | | Lock nut..... | Contre-ecrou..... | Sicherungsmutter..... | Contratuerca..... | Låsmutter..... | | |
| 16 | VOE 11104606 | 3 | | | | Retaining Strap..... | Courroi serrage..... | Halteriemen..... | Correa Tensora..... | Spännrem..... | | |
| 17 | VOE 4881440 | 7 | | | | Strip Clamp..... | Ruban Serrage..... | Kabelbinder..... | Abraz Cinta..... | Bandklamma..... | | |
| 18 | VOE 13969278 | 1 | | | | Screw..... | Vis..... | Schraube..... | Tornillo..... | Skruv..... | | |
| 19 | VOE 20374662 | 1 | | | | Relay..... | Relais..... | Relais..... | Rele..... | Relä..... | 80868 RE806 | |

1245) GB: Including parts: Wire assembly, hose, manifold, cable terminal and isulator See Group 379. FR: Article: cable, flexible, tubulure, cosse cable y isolant. See Group 379 DE: Artikel: El leitung, Schlauch, Verzweigung, Kabelschuh und Isolator. See Group 379. ES: Articulo: cable, manguera, bifurcacion, terminal cable et aislador. See Group 379. SE: Artiklar: ledning, slang, förgrening, ledningssko och isolator. See Group 379

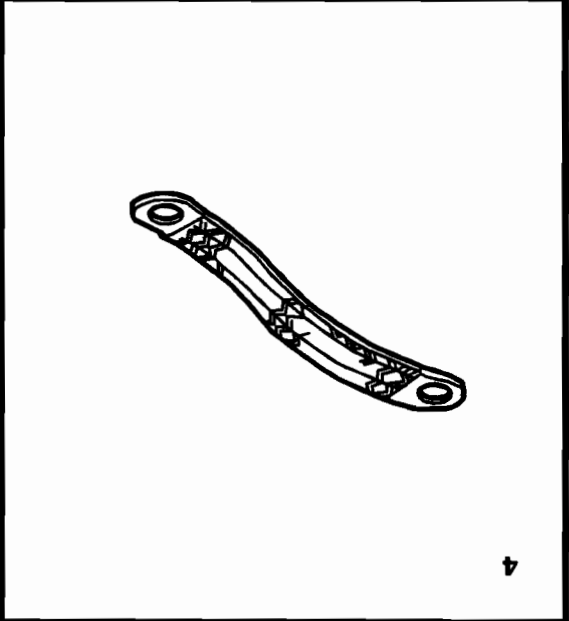
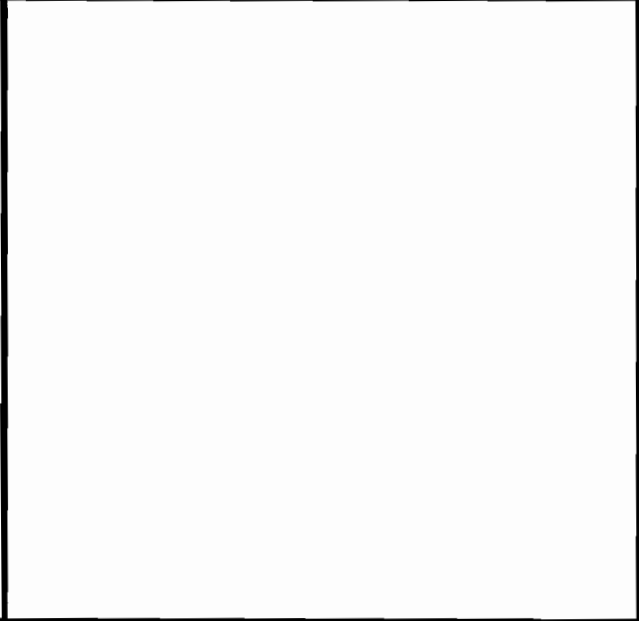
| | | | | |
|---|--|--|----------------|---------|
| 1 | | Elcentral och ledningsmatta | Catalogue id | Group |
| 2 | | Central eléctrica y manojos de cables | 20007 | 372 |
| 3 | | Elektrozentrale und Kabelbäume | Illustr. No | Section |
| 4 | | Centrale de électrique et faisceau de cables | 1007172 | 200 |
| 5 | | Electrical distribut.unitand cable harness | Issue | Page |
| | | STD, OPEN ROPS | VOE 63D9920007 | 301 |

VOLVO

L90E

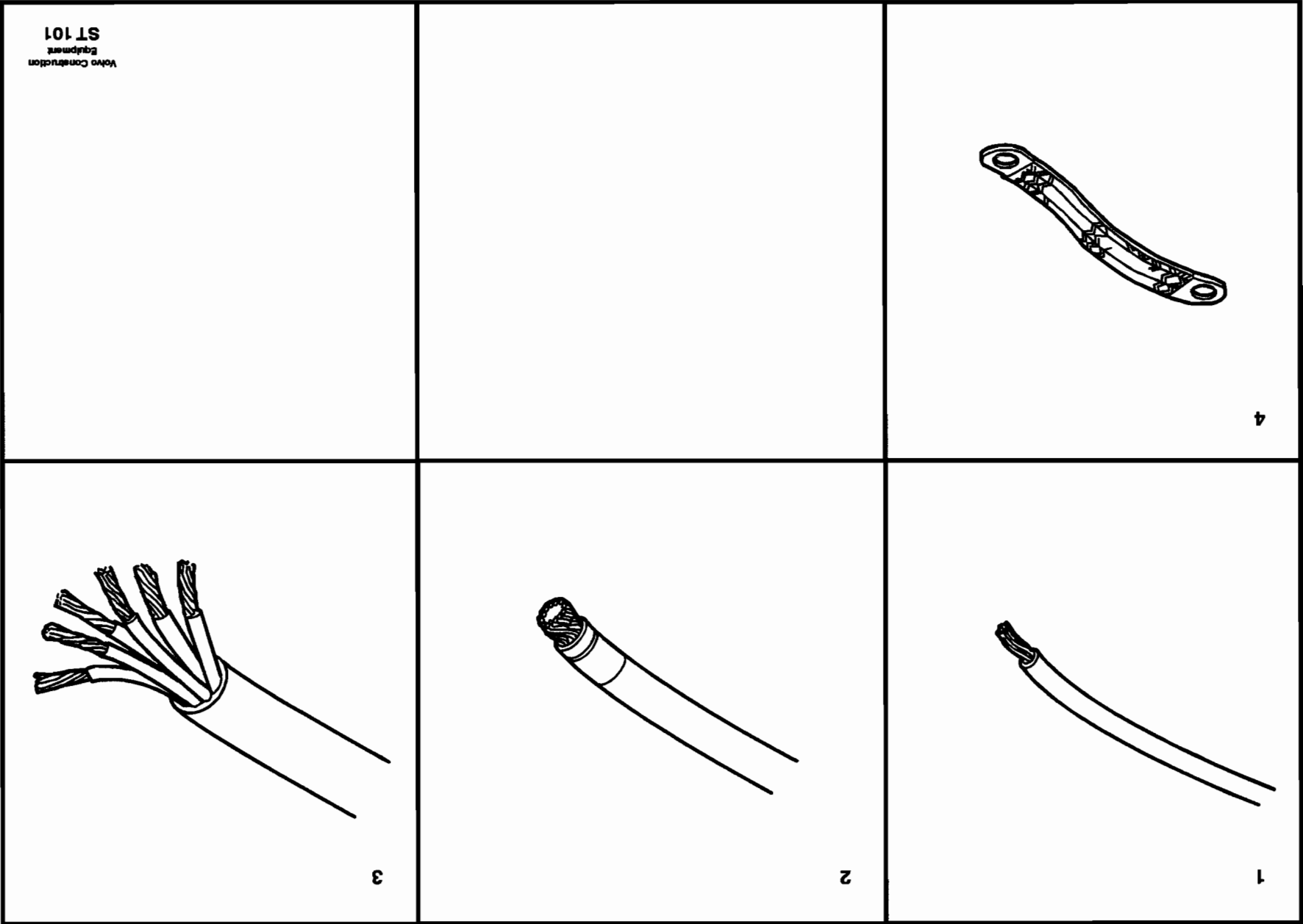


ST 101
Voice Construction
Equipment



| Fig. | Part No. | Quantity | | | P S | K I T | Description | Dénomination | Bezeichnung | Denominación | Benämning | Notes |
|------|--------------|----------|---|---|--------|---------------------|---------------------------|-----------------------|-------------------------|----------------------|-----------------------|-------|
| | | 1 | 2 | 3 | | | | | | | | |
| | | | | | | El Cable. Rk | Fil Electrique. Rk | El Leitung. Rk | Cable Electr. Rk | Elledning. Rk | | |
| 1 | VOE 970550 | REQ | | | | El Cable | Fil Electrique | El-leitung | Cable Electrico | Elledning..... | BL. RK 0.75 SQ MM | |
| | VOE 970552 | REQ | | | | El Cable | Fil Electrique | El-leitung | Cable Electrico | Elledning..... | (VOE 14023716) | |
| | VOE 970554 | REQ | | | | El Cable | Fil Electrique | El-leitung | Cable Electrico | Elledning..... | RED. RK 0.75 SQ MM | |
| | VOE 970555 | REQ | | | | El Cable | Fil Electrique | El-leitung | Cable Electrico | Elledning..... | YELL. RK 0.75 SQ MM | |
| | | REQ | | | NS | El Cable | Fil Electrique | El-leitung | Cable Electrico | Elledning..... | (VOE 14023718) | |
| | | REQ | | | | El Cable | Fil Electrique | El-leitung | Cable Electrico | Elledning..... | GREEN. RK 0.75 SQ MM | |
| | VOE 970559 | REQ | | | | El Cable | Fil Electrique | El-leitung | Cable Electrico | Elledning..... | (VOE 954432) | |
| | VOE 970572 | REQ | | | | El Cable | Fil Electrique | El-leitung | Cable Electrico | Elledning..... | BLUE. RK 0.75 SQ MM | |
| | | REQ | | | | El Cable | Fil Electrique | El-leitung | Cable Electrico | Elledning..... | WHITE. RK 0.75 SQ MM | |
| | | REQ | | | | El Cable | Fil Electrique | El-leitung | Cable Electrico | Elledning..... | (VOE 14023722) | |
| | | REQ | | | | El Cable | Fil Electrique | El-leitung | Cable Electrico | Elledning..... | GREEN/RED. RK 0.75 SQ | |
| | VOE 970624 | REQ | | | | El Cable | Fil Electrique | El-leitung | Cable Electrico | Elledning..... | (VOE 954443) | |
| | | REQ | | | | El Cable | Fil Electrique | El-leitung | Cable Electrico | Elledning..... | BLUE. RK 1.5 SQ MM | |
| | VOE 970625 | REQ | | | | El Cable | Fil Electrique | El-leitung | Cable Electrico | Elledning..... | BR. RK 1.5 SQ MM | |
| | VOE 970626 | REQ | | | | El Cable | Fil Electrique | El-leitung | Cable Electrico | Elledning..... | RED. RK 1.5 SQ MM | |
| | VOE 970628 | REQ | | | | El Cable | Fil Electrique | El-leitung | Cable Electrico | Elledning..... | (VOE 954446) | |
| | | REQ | | | | El Cable | Fil Electrique | El-leitung | Cable Electrico | Elledning..... | YELL. RK 1.5 SQ MM | |
| | VOE 13954447 | REQ | | | | Wire..... | Cable..... | Leitung | Cable..... | Led ning..... | GREEN. RK 1.5 SQ MM | |
| | VOE 970630 | REQ | | | | El Cable | Fil Electrique | El-leitung | Cable Electrico | Elledning..... | (VOE 954448) | |
| | | REQ | | | | El Cable | Fil Electrique | El-leitung | Cable Electrico | Elledning..... | BLUE. RK 1.5 SQ MM | |
| | VOE 970632 | REQ | | | | El Cable | Fil Electrique | El-leitung | Cable Electrico | Elledning..... | GREY. RK 1.5 SQ MM | |
| | VOE 970633 | REQ | | | | El Cable | Fil Electrique | El-leitung | Cable Electrico | Elledning..... | (VOE 954450) | |
| | | REQ | | | | El Cable | Fil Electrique | El-leitung | Cable Electrico | Elledning..... | WHITE. RK 1.5 SQ MM | |
| | VOE 970661 | REQ | | | | El Cable | Fil Electrique | El-leitung | Cable Electrico | Elledning..... | (VOE 954451) | |
| | | REQ | | | | El Cable | Fil Electrique | El-leitung | Cable Electrico | Elledning..... | BLUE. RK 2.5 SQ MM | |
| | VOE 14023934 | REQ | | | | Cable..... | Cable..... | Kabel..... | Cable..... | Kabel..... | BR. RK 2.5 SQ MM | |
| | VOE 970663 | REQ | | | | El Cable | Fil Electrique | El-leitung | Cable Electrico | Elledning..... | RED. RK 2.5 SQ MM | |

| | | | | |
|---|--|--|-----------------------|------------|
| 1 | | Ledningar Cables Elektr. Leitung Câbles Wires | Catalogue id | Group |
| 2 | | | 20007 | 379 |
| 3 | | | Illustr. No | Section |
| 4 | | | ST101 | 100 |
| 5 | | | Issue | Page |
| | | | VOE 63D9920007 | 303 |



Volvo Construction
Equipment
ST 101

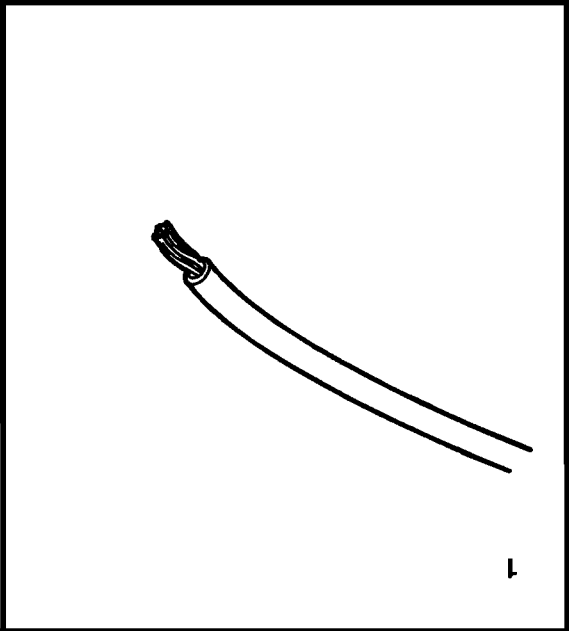
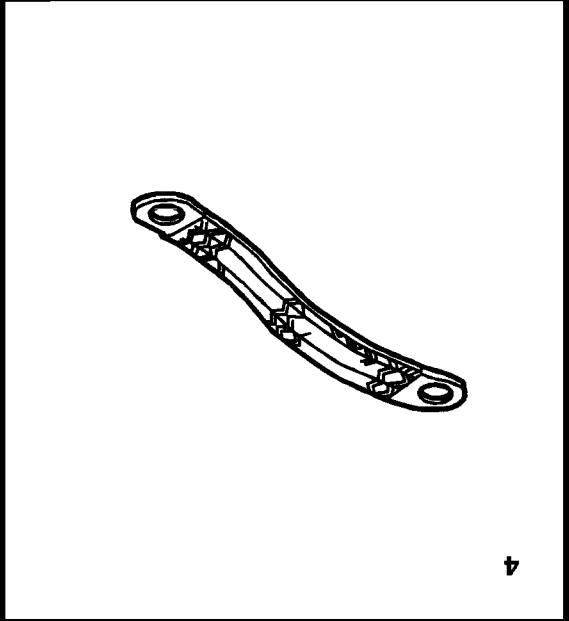
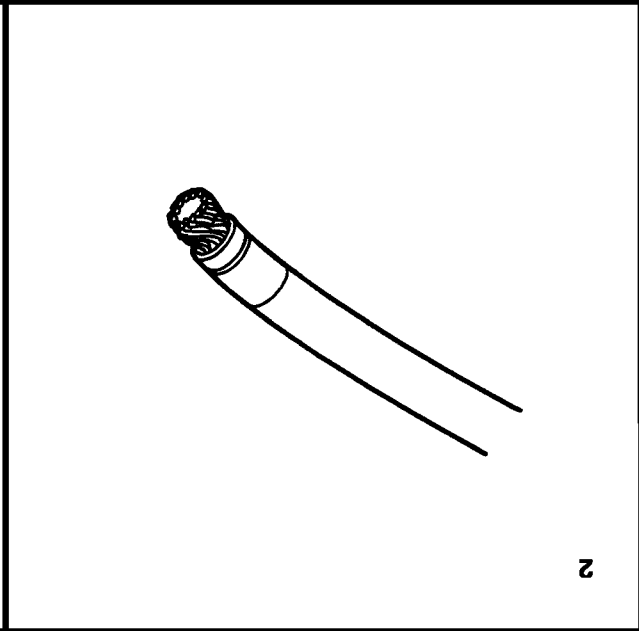
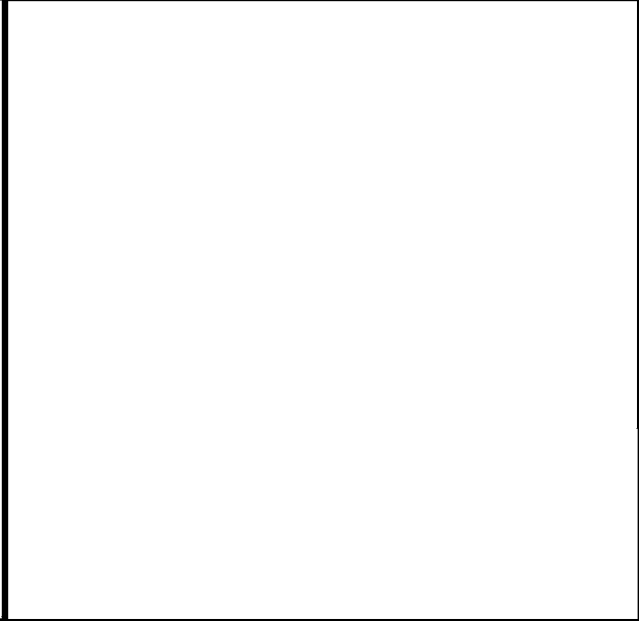
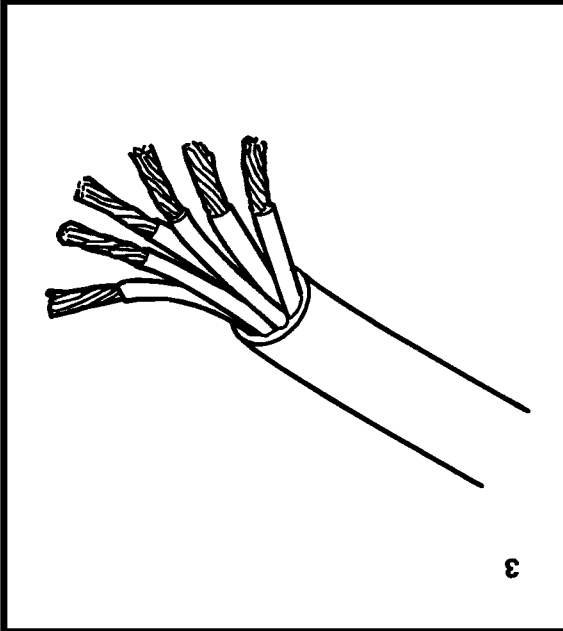
| Fig. | Part No. | Quantity | | | P S | K I T | Description | Dénomination | Bezeichnung | Denominación | Benämning | Notes |
|------|--------------|----------|---|---|--------|---------------------------|--------------------------------|-----------------------------|------------------------------|---------------------------|---------------------------------------|-------|
| | | 1 | 2 | 3 | | | | | | | | |
| | VOE 970665 | REQ | | | | El Cable | Fil Electrique | El-leitung | Cable Electrico | Elledning..... | YELL. RK 2.5 SQ MM | |
| | VOE 14023608 | REQ | | | | Cable..... | Cable..... | Kabel..... | Cable..... | Kabel..... | BLUE. RK 2.5 SQ MM | |
| | VOE 970670 | REQ | | | | El Cable | Fil Electrique | El-leitung | Cable Electrico | Elledning..... | (VOE 14103197) WHITE. RK 2.5 SQ MM | |
| | VOE 970698 | REQ | | | | El Cable | Fil Electrique | El-leitung | Cable Electrico | Elledning..... | (VOE 954459) BLUE. RK 4.0 SQ MM | |
| | | REQ | | | NS | Wire..... | Cable..... | Leitung | Cable..... | Ledning..... | RED. RK 4.0 SQ MM | |
| | | | | | | El Cable. R2 | Fil Electrique. R2..... | El Leitung. R2 | Cable Electr. R2..... | Elledning. R2..... | | |
| 1 | VOE 970550 | REQ | | | | El Cable | Fil Electrique | El-leitung | Cable Electrico | Elledning..... | BL. R2 0.75 SQ MM | |
| | VOE 970551 | REQ | | | | El Cable | Fil Electrique | El-leitung | Cable Electrico | Elledning..... | BR. R2 0.75 SQ MM | |
| | VOE 970552 | REQ | | | | El Cable | Fil Electrique | El-leitung | Cable Electrico | Elledning..... | RED. R2 0.75 SQ MM | |
| | VOE 970553 | REQ | | | | El Cable | Fil Electrique | El-leitung | Cable Electrico | Elledning..... | OR. R2 0.75 SQ MM | |
| | VOE 970554 | REQ | | | | El Cable | Fil Electrique | El-leitung | Cable Electrico | Elledning..... | YELL. R2 0.75 SQ MM | |
| | VOE 970555 | REQ | | | | El Cable | Fil Electrique | El-leitung | Cable Electrico | Elledning..... | GREEN. R2 0.75 SQ MM | |
| | | REQ | | | NS | El Cable | Fil Electrique | El-leitung | Cable Electrico | Elledning..... | BLUE. R2 0.75 SQ MM | |
| | VOE 970557 | REQ | | | | El Cable | Fil Electrique | El-leitung | Cable Electrico | Elledning..... | VIOL. R2 0.75 SQ MM | |
| | VOE 970558 | REQ | | | | El Cable | Fil Electrique | El-leitung | Cable Electrico | Elledning..... | GREY. R2 0.75 SQ MM | |
| | VOE 970559 | REQ | | | | El Cable | Fil Electrique | El-leitung | Cable Electrico | Elledning..... | WHITE. R2 0.75 SQ MM | |
| | VOE 970560 | REQ | | | | El Cable | Fil Electrique | El-leitung | Cable Electrico | Elledning..... | PINK. R2 0.75 SQ MM | |
| | VOE 970562 | REQ | | | | El Cable | Fil Electrique | El-leitung | Cable Electrico | Elledning..... | BR/WHITE. R2 0.75 SQ MM | |
| | VOE 970563 | REQ | | | | El Cable | Fil Electrique | El-leitung | Cable Electrico | Elledning..... | RED/BLACK.R2 0.75 SQ MM | |
| | VOE 970564 | REQ | | | | El Cable | Fil Electrique | El-leitung | Cable Electrico | Elledning..... | RED/WHITE. R2 0.75 SQ MM | |
| | VOE 970565 | REQ | | | | El Cable | Fil Electrique | El-leitung | Cable Electrico | Elledning..... | YELL/BR. R2 0.75 SQ MM | |
| | VOE 970566 | REQ | | | | El Cable | Fil Electrique | El-leitung | Cable Electrico | Elledning..... | YELL/GREY. R2 0.75 SQ MM | |
| | VOE 970567 | REQ | | | | El Cable | Fil Electrique | El-leitung | Cable Electrico | Elledning..... | YELL/RED. R2 0.75 SQ MM | |
| | VOE 970568 | REQ | | | | El Cable | Fil Electrique | El-leitung | Cable Electrico | Elledning..... | YELL/BLUE. R2 0.75 SQ MM | |
| | VOE 970569 | REQ | | | | El Cable | Fil Electrique | El-leitung | Cable Electrico | Elledning..... | YELL/WHITE. R2 0.75 SQ MM | |
| | VOE 970571 | REQ | | | | El Cable | Fil Electrique | El-leitung | Cable Electrico | Elledning..... | GREEN/GREY. R2 0.75 SQ M | |

| | | | | |
|---|--|--|-----------------------|------------|
| 1 | | Ledningar Cables Elektr. Leitung Câbles Wires | Catalogue id | Group |
| 2 | | | 20007 | 379 |
| 3 | | | Illustr. No | Section |
| 4 | | | ST101 | 100 |
| 5 | | | Issue | Page |
| | | | VOE 63D9920007 | 305 |

VOLVO

L90E

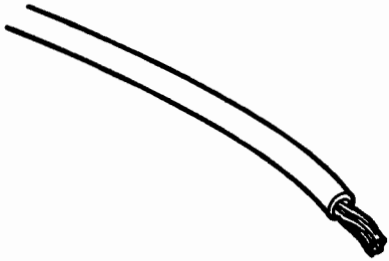
Volvo Construction
Equipment
ST 101



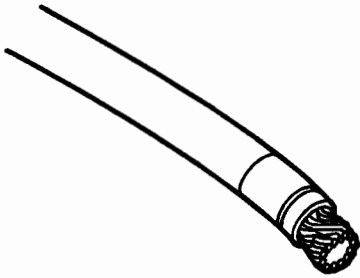
| Fig. | Part No. | Quantity | | | P S | K I T | Description | Dénomination | Bezeichnung | Denominación | Benämning | Notes |
|------------|----------|----------|---|---|--------|-----------------------|----------------------|-----------------------|-----------------------|----------------|--------------------------|-------|
| | | 1 | 2 | 3 | | | | | | | | |
| VOE 970572 | REQ | | | | | El Cable | Fil Electrique | El-leitung | Cable Electrico | Elledning..... | GREEN/RED. R2 0.75 SQ MM | |
| VOE 970574 | REQ | | | | | El Cable | Fil Electrique | El-leitung | Cable Electrico | Elledning..... | GREEN/WHITE R2 0.75 SQ M | |
| VOE 970575 | REQ | | | | | El Cable | Fil Electrique | El-leitung | Cable Electrico | Elledning..... | GREEN/YELL R2 0.75 SQ MM | |
| VOE 970576 | REQ | | | | | El Cable | Fil Electrique | El-leitung | Cable Electrico | Elledning..... | BLUE/GREEN. R2 0,75 SQ M | |
| VOE 970577 | REQ | | | | | El Cable | Fil Electrique | El-leitung | Cable Electrico | Elledning..... | BLUE/RED. R2 0.75 SQ MM | |
| VOE 970578 | REQ | | | | | El Cable | Fil Electrique | El-leitung | Cable Electrico | Elledning..... | BLUE/BLACK R2 0.75 SQ MM | |
| VOE 970579 | REQ | | | | | El Cable | Fil Electrique | El-leitung | Cable Electrico | Elledning..... | BLUE/WHITE. R2 0.75 SQ M | |
| VOE 970580 | REQ | | | | | El Cable | Fil Electrique | El-leitung | Cable Electrico | Elledning..... | BLUE/YELL. R2 0.75 SQ MM | |
| | REQ | | | | NS | Electrical cable..... | Fil électrique..... | Elektr. Leitung | Cable electrico | Elledning..... | GREY/RED. R2 0.75 SQ MM | |
| VOE 970585 | REQ | | | | | El Cable | Fil Electrique | El-leitung | Cable Electrico | Elledning..... | WHITE/BLUE. R2 0.75 SQ M | |
| | REQ | | | | NS | Electrical cable..... | Fil électrique..... | Elektr. Leitung | Cable electrico | Elledning..... | OR/BLUE. R2 0.75 SQ MM | |
| | REQ | | | | NS | Electrical cable..... | Fil électrique..... | Elektr. Leitung | Cable electrico | Elledning..... | OR/WHITE. R2 0.75 SQ MM | |
| VOE 970587 | REQ | | | | | El Cable | Fil Electrique | El-leitung | Cable Electrico | Elledning..... | BLUE. R2 1.0 SQ MM | |
| VOE 970593 | REQ | | | | | El Cable | Fil Electrique | El-leitung | Cable Electrico | Elledning..... | BLUE. R2 1.0 SQ MM | |
| VOE 970596 | REQ | | | | | El Cable | Fil Electrique | El-leitung | Cable Electrico | Elledning..... | WHITE. R2 1.0 SQ MM | |
| VOE 970624 | REQ | | | | | El Cable | Fil Electrique | El-leitung | Cable Electrico | Elledning..... | BLUE. R2 1.5 SQ MM | |
| VOE 970625 | REQ | | | | | El Cable | Fil Electrique | El-leitung | Cable Electrico | Elledning..... | BR. R2 1,5 SQ MM | |
| VOE 970626 | REQ | | | | | El Cable | Fil Electrique | El-leitung | Cable Electrico | Elledning..... | RED. R2 1.5 SQ MM | |
| VOE 970627 | REQ | | | | | El Cable | Fil Electrique | El-leitung | Cable Electrico | Elledning..... | OR. R2 1.5 SQ MM | |
| VOE 970628 | REQ | | | | | El Cable | Fil Electrique | El-leitung | Cable Electrico | Elledning..... | YELL. R2 1.5 SQ MM | |
| VOE 970629 | REQ | | | | | El Cable | Fil Electrique | El-leitung | Cable Electrico | Elledning..... | GREEN. R2 1.5 SQ MM | |
| VOE 970630 | REQ | | | | | El Cable | Fil Electrique | El-leitung | Cable Electrico | Elledning..... | BLUE. R2 1.5 SQ MM | |
| VOE 970631 | REQ | | | | | El Cable | Fil Electrique | El-leitung | Cable Electrico | Elledning..... | VIOL. R2 1,5 SQ MM | |
| VOE 970632 | REQ | | | | | El Cable | Fil Electrique | El-leitung | Cable Electrico | Elledning..... | GREY. R2 1.5 SQ MM | |
| VOE 970633 | REQ | | | | | El Cable | Fil Electrique | El-leitung | Cable Electrico | Elledning..... | WHITE. R2 1.5 SQ MM | |
| VOE 970634 | REQ | | | | | El Cable | Fil Electrique | El-leitung | Cable Electrico | Elledning..... | PINK. R2 1,5 SQ MM | |
| VOE 970636 | REQ | | | | | El Cable | Fil Electrique | El-leitung | Cable Electrico | Elledning..... | BR/WHITE. R2 1,5 SQ MM | |
| VOE 970637 | REQ | | | | | El Cable | Fil Electrique | El-leitung | Cable Electrico | Elledning..... | RED/BLACK R2 1,5 SQ MM | |

| | | | | |
|---|--|--|-----------------------|------------|
| 1 | | Ledningar Cables Elektr. Leitung Câbles Wires | Catalogue id | Group |
| 2 | | | 20007 | 379 |
| 3 | | | Illustr. No | Section |
| 4 | | | ST101 | 100 |
| 5 | | | Issue | Page |
| | | | VOE 63D9920007 | 307 |

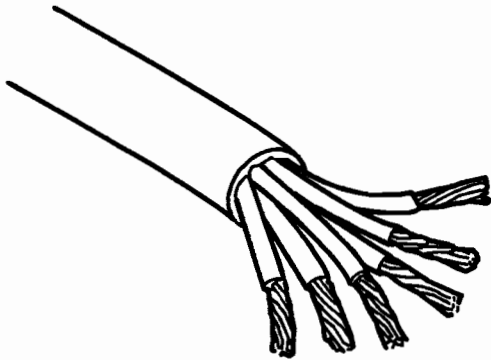
1



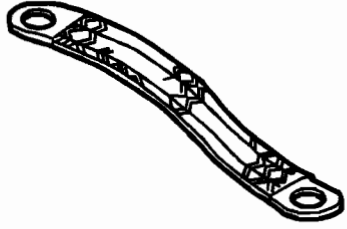
2



3



4

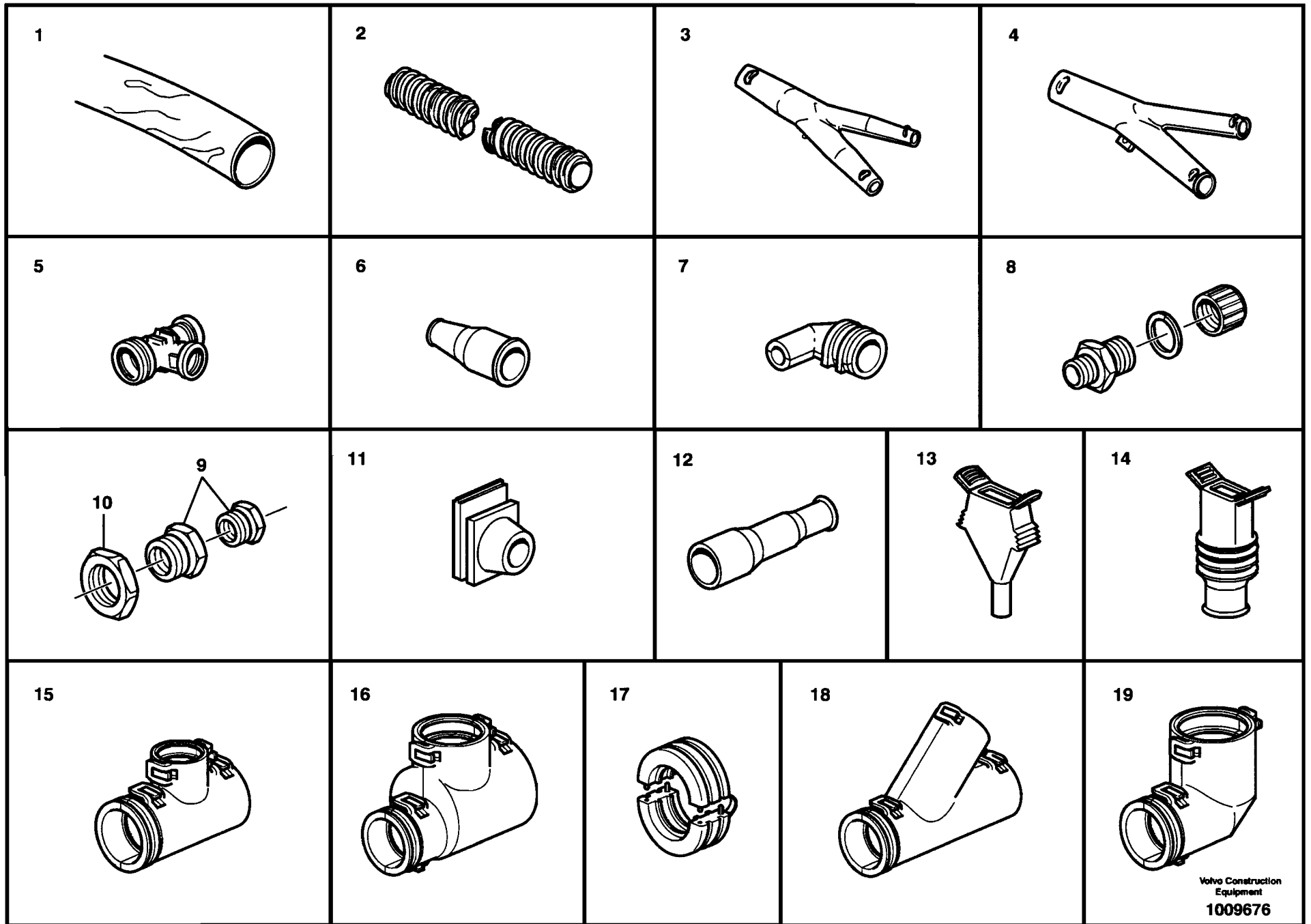


| Fig. | Part No. | Quantity | | | P S | K I T | Description | Dénomination | Bezeichnung | Denominación | Benämning | Notes |
|------|-------------|----------|---|---|--------|--------------|----------------|--------------|-----------------|--------------|--------------------------|-------|
| | | 1 | 2 | 3 | | | | | | | | |
| | VOE 970638 | REQ | | | | El Cable | Fil Electrique | El-leitung | Cable Electrico | Elledning | RED/WHITE. R2 1,5 SQ MM | |
| | VOE 970640 | REQ | | | | El Cable | Fil Electrique | El-leitung | Cable Electrico | Elledning | YELLOW/GREY R2 1,5 SQ M | |
| | VOE 970642 | REQ | | | | El Cable | Fil Electrique | El-leitung | Cable Electrico | Elledning | YELLOW/BLACK R2 1,5 SQ M | |
| | VOE 970643 | REQ | | | | El Cable | Fil Electrique | El-leitung | Cable Electrico | Elledning | YELL/WHITE. R2 1,5 SQ MM | |
| | VOE 970646 | REQ | | | | El Cable | Fil Electrique | El-leitung | Cable Electrico | Elledning | GREEN/RED. R2 1,5 SQ MM | |
| | VOE 970648 | REQ | | | | El Cable | Fil Electrique | El-leitung | Cable Electrico | Elledning | GREEN/WHITE. R2 1,5 SQ M | |
| | VOE 970649 | REQ | | | | El Cable | Fil Electrique | El-leitung | Cable Electrico | Elledning | GREEN/YELLOW R2 1,5 SQ | |
| | VOE 970651 | REQ | | | | El Cable | Fil Electrique | El-leitung | Cable Electrico | Elledning | BLUE/RED R2 1,5 SQ MM | |
| | VOE 970652 | REQ | | | | El Cable | Fil Electrique | El-leitung | Cable Electrico | Elledning | BLUE/BL R2 1,5 SQ MM | |
| | VOE 970653 | REQ | | | | El Cable | Fil Electrique | El-leitung | Cable Electrico | Elledning | BLUE/WHITE. R2 1,5 SQ MM | |
| | VOE 970654 | REQ | | | | El Cable | Fil Electrique | El-leitung | Cable Electrico | Elledning | BLUE/YELL. R2 1,5 SQ MM | |
| | VOE 970659 | REQ | | | | El Cable | Fil Electrique | El-leitung | Cable Electrico | Elledning | WHITE/BL. R2 1,5 SQ MM | |
| | VOE 970661 | REQ | | | | El Cable | Fil Electrique | El-leitung | Cable Electrico | Elledning | BLUE. R2 2.5 SQ MM | |
| | VOE 970663 | REQ | | | | El Cable | Fil Electrique | El-leitung | Cable Electrico | Elledning | RED. R2 2.5 SQ MM | |
| | VOE 970665 | REQ | | | | El Cable | Fil Electrique | El-leitung | Cable Electrico | Elledning | YELLOW R2 2,5 SQ MM | |
| | VOE 970670 | REQ | | | | El Cable | Fil Electrique | El-leitung | Cable Electrico | Elledning | WHITE. R2 2.5 SQ MM | |
| | VOE 970675 | REQ | | | | El Cable | Fil Electrique | El-leitung | Cable Electrico | Elledning | RED/WHITE R2 2.5 SQ MM | |
| | VOE 970686 | REQ | | | | El Cable | Fil Electrique | El-leitung | Cable Electrico | Elledning | GREEN/YELLOW R2 2,5 SQ | |
| | VOE 970696 | REQ | | | | El Cable | Fil Electrique | El-leitung | Cable Electrico | Elledning | WHITE/BL R2 2,5 SQ MM | |
| 2 | VOE 970733 | REQ | | | | El Cable | Fil Electrique | El-leitung | Cable Electrico | Elledning | RED. R2 16.0 SQ MM | |
| | VOE 954491 | REQ | | | | El Cable | Fil Electrique | El-leitung | Cable Electrico | Elledning | BLUE. RK 50.0 SQ MM | |
| | | REQ | | | NS | Wire | Cable | Leitung | Cable | Ledning | BLUE. RK 70.0 SQ MM | |
| 3 | VOE 191859 | REQ | | | | El Cable | Fil Electrique | El-leitung | Cable Electrico | Elledning | RKKB 6 x 1.5 SQ MM | |
| 4 | VOE 7190339 | REQ | | | SS | Wire | Cable | Leitung | Cable | Ledning | L=200MM. ID 2 x 11,5MM | |
| | VOE 944623 | REQ | | | | Ground cable | Cable masse | Masseleitung | Cable masa | Stomledning | L=350MM. ID 11 + 13MM | |
| | | REQ | | | NS | Cable | Cable | Kabel | Cable | Kabel | L=695MM. ID 2 x 11MM | |

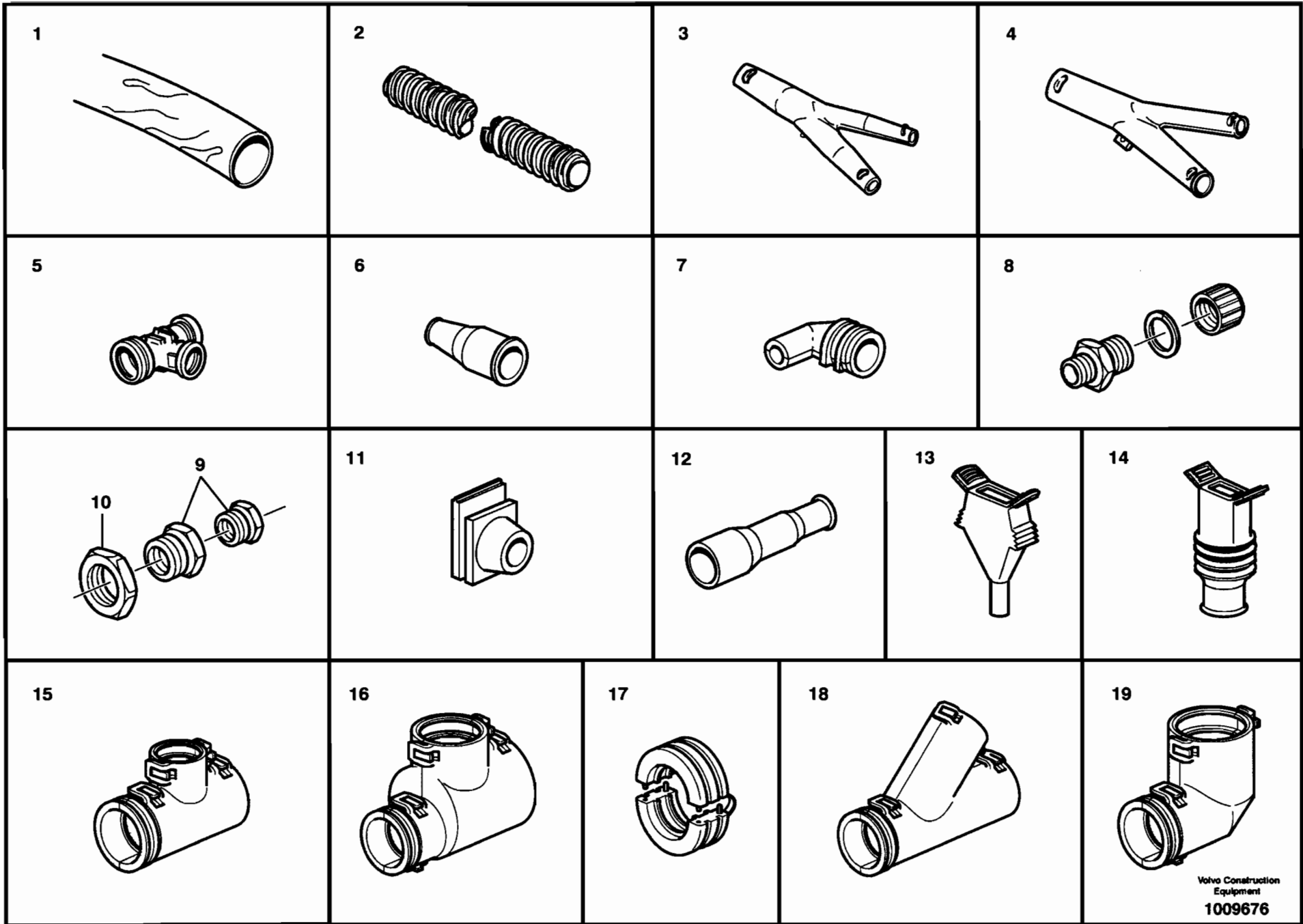
| | | | |
|---|--|----------------|------------|
| 1 | Ledningar Cables Elektr. Leitung Câbles Wires | Catalogue id | Group |
| 2 | | 20007 | 379 |
| 3 | | Illustr. No | Section |
| 4 | | ST101 | 100 |
| 5 | | Issue | Page |
| | | VOE 63D9920007 | 309 |

VOLVO

L90E

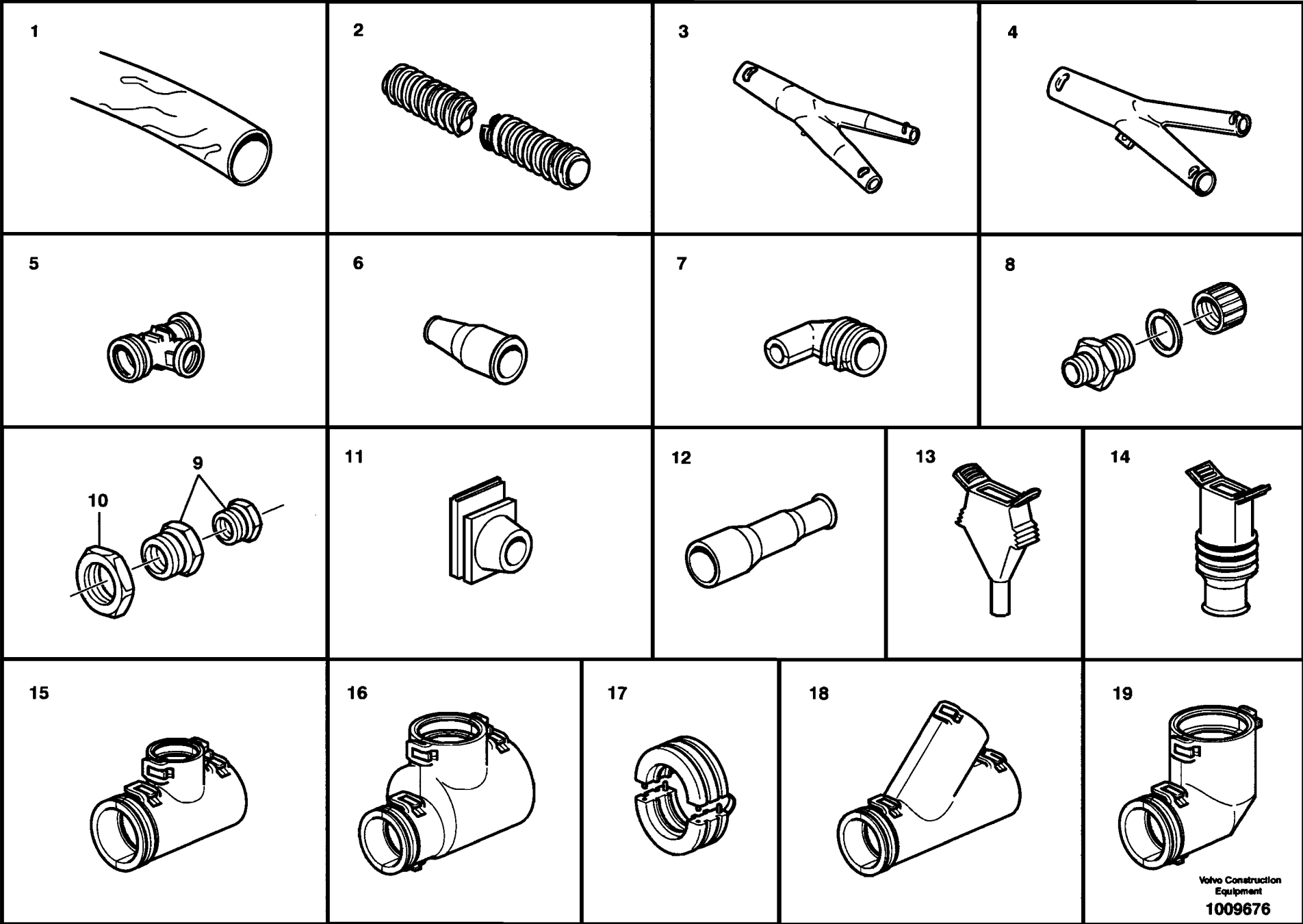


| Fig. | Part No. | Quantity | | | P S | K I T | Description | Dénomination | Bezeichnung | Denominación | Benämning | Notes |
|-------------|--------------|---------------------------------|---|---|----------------|-----------------------|-----------------------|--------------------------|--------------------------|-------------------------|--|------------|
| | | 1 | 2 | 3 | | | | | | | | |
| 1 | VOE 185506 | REQ | | | | Hose..... | Durit | Schlauch | Tubo flexible | Slang..... | PVC. ID=5MM. OD=6MM | |
| | VOE 185501 | REQ | | | | Hose..... | Durit | Schlauch | Tubo flexible | Slang..... | PVC. ID=8MM. OD=9MM | |
| 2 | VOE 4803745 | REQ | | | | Hose..... | Durit | Schlauch | Tubo flexible | Slang..... | ID 8.5MM | |
| | VOE 4803746 | REQ | | | | Hose..... | Durit | Schlauch | Tubo flexible | Slang..... | ID 10MM | |
| | VOE 11039491 | REQ | | | | Hose..... | Durit | Schlauch | Tubo flexible | Slang..... | ID 10MM | |
| | VOE 4803747 | REQ | | | | Hose..... | Durit | Schlauch | Tubo flexible | Slang..... | ID 12MM | |
| | VOE 4803748 | REQ | | | | Hose..... | Durit | Schlauch | Tubo flexible | Slang..... | ID 13MM | |
| | VOE 4803751 | REQ | | | | Hose..... | Durit | Schlauch | Tubo flexible | Slang..... | ID 17MM | |
| | VOE 4803752 | REQ | | | | Hose..... | Durit | Schlauch | Tubo flexible | Slang..... | ID 22MM | |
| | VOE 4803754 | REQ | | | | Hose..... | Durit | Schlauch | Tubo flexible | Slang..... | ID 26MM | |
| | VOE 4803755 | REQ | | | | Hose..... | Durit | Schlauch | Tubo flexible | Slang..... | ID 29MM | |
| 3 | VOE 4803730 | REQ | | | | Manifold | Tubulure | Verzweigung | Bifurcacion | Förgrening | Type N Tube 17.0-10.0-10.0MM | |
| | VOE 4803728 | REQ | | | | Manifold | Tubulure | Verzweigung | Bifurcacion | Förgrening | Tube 13.0-10.0-10.0MM | |
| | VOE 4803729 | REQ | | | | Manifold | Tubulure | Verzweigung | Bifurcacion | Förgrening | Tube 13.0-13.0-10.0MM | |
| | VOE 4803731 | REQ | | | | Manifold | Tubulure | Verzweigung | Bifurcacion | Förgrening | Tube 17.0-13.0-10.0MM | |
| | VOE 4803732 | REQ | | | | Manifold | Tubulure | Verzweigung | Bifurcacion | Förgrening | Tube 17.0-13.0-13.0MM | |
| | VOE 4803733 | REQ | | | | Manifold | Tubulure | Verzweigung | Bifurcacion | Förgrening | Tube 17.0-17.0-10.0MM | |
| | VOE 4803736 | REQ | | | | Manifold | Tubulure | Verzweigung | Bifurcacion | Förgrening | Tube 22.0-22.0-10.0MM | |
| | VOE 4803738 | REQ | | | | Manifold | Tubulure | Verzweigung | Bifurcacion | Förgrening | Tube 22.0-22.0-17.0MM | |
| | VOE 4803740 | REQ | | | | Manifold | Tubulure | Verzweigung | Bifurcacion | Förgrening | Tube 29.0-22.0-22.0MM | |
| VOE 4803739 | REQ | | | | Manifold | Tubulure | Verzweigung | Bifurcacion | Förgrening | Tube 22.0-22.0-22.0MM | | |
| 4 | VOE 4803727 | REQ | | | | Manifold | Tubulure | Verzweigung | Bifurcacion | Förgrening | Type O Tube 10.0-10.0-10.0MM | |
| | VOE 11039109 | REQ | | | | Manifold | Tubulure | Verzweigung | Bifurcacion | Förgrening | Tube 17.0-17.0-13.0MM | |
| | VOE 11039110 | REQ | | | | Manifold | Tubulure | Verzweigung | Bifurcacion | Förgrening | Tube 17.0-17.0-8.5MM | |
| | VOE 4803734 | REQ | | | | Manifold | Tubulure | Verzweigung | Bifurcacion | Förgrening | Tube 22.0-17.0-13.0MM | |
| 1 | | Slang och förgrening | | | | | | | | | Catalogue id | Group |
| 2 | | Manguera y bifurcación | | | | | | | | | 20007 | 379 |
| 3 | | Schlauch und Verzweigung | | | | | | | | | Illustr. No | Section |
| 4 | | Flexible et tubulure | | | | | | | | | 1009676 | 150 |
| 5 | | Hose and manifold | | | | | | | | | Issue | Page |
| | | | | | | | | | | | VOE 63D9920007 | 311 |



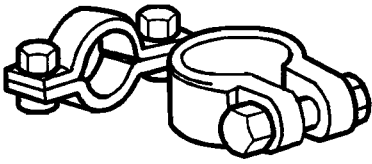
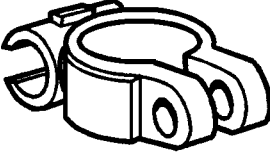
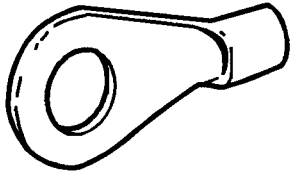
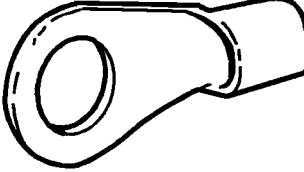
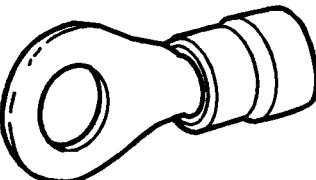
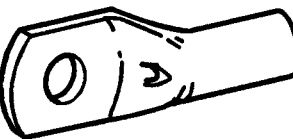
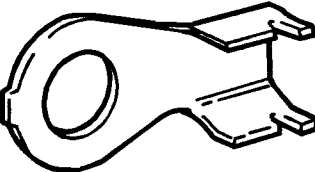
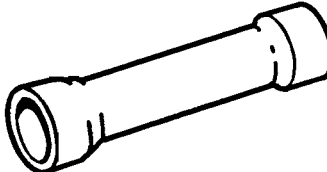
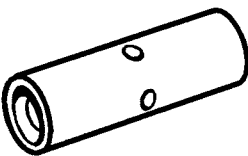
| Fig. | Part No. | Quantity | | | P S | K T | Description | Dénomination | Bezeichnung | Denominación | Benämning | Notes |
|------|--------------|----------|---|---|--------|--------|----------------------|--------------------------|-----------------------|------------------------|----------------------|-----------------------|
| | | 1 | 2 | 3 | | | | | | | | |
| | VOE 11039117 | REQ | | | | | Manifold | Tubulure | Verzweigung | Bifurcacion | Förgrening | Tube 22.0-17.0-17.0MM |
| 5 | VOE 3943086 | REQ | | | | | Tee | Connexion en T | T-stuck | Acoplamiento T | T-koppling | Tube 7.5-7.5-7.5MM |
| | VOE 3943089 | REQ | | | | | Tee | Connexion en T | T-stuck | Acoplamiento T | T-koppling | Tube 10-10-10MM |
| | VOE 3943091 | REQ | | | | | Tee | Connexion en T | T-stuck | Acoplamiento T | T-koppling | Tube 13-10-10MM |
| | | | | | | | End sleeve | Douille extremite | Endhülse | Manguito final | Ändhylsa | |
| 6 | VOE 11039397 | REQ | | | | | End Sleeve | Douille Extrem | Aderendhülse | Manguito Final | Ändhylsa | ID 10 x 5MM |
| | VOE 4803711 | REQ | | | | | End Sleeve | Douille Extrem | Aderendhülse | Manguito Final | Ändhylsa | ID 12-13 x 4-9MM |
| | VOE 4803713 | REQ | | | | | End Sleeve | Douille Extrem | Aderendhülse | Manguito Final | Ändhylsa | ID 16-17 x 6-14MM |
| | VOE 4803714 | REQ | | | | | End Sleeve | Douille Extrem | Aderendhülse | Manguito Final | Ändhylsa | ID 22 x 7-17MM |
| 7 | VOE 1095059 | REQ | | | | | Joint Nipple | Raccord | Verbind Nippel | Niple Union | Skarvnippel | |
| | | | | | | | Hose coupling | Raccor.flexible | Schlauchkupplg | Acoplam manguer | Slangkoppling | |
| 8 | VOE 4803765 | REQ | | | | | Hose Coupling | Raccor.flexible | Schlauchkupplg | Acoplam Manguer | Slangkoppling | PG 9 ID A = 10.5MM |
| | VOE 4803766 | REQ | | | | | Hose Coupling | Raccor.flexible | Schlauchkupplg | Acoplam Manguer | Slangkoppling | PG 11 ID A = 14MM |
| | VOE 4803768 | REQ | | | | | Hose Coupling | Raccor.flexible | Schlauchkupplg | Acoplam Manguer | Slangkoppling | PG 16 ID A = 17MM |
| | VOE 4803769 | REQ | | | | | Hose Coupling | Raccor.flexible | Schlauchkupplg | Acoplam Manguer | Slangkoppling | PG 21 ID A = 22MM |
| | VOE 14343156 | REQ | | | | | Fitting | Ecrou raccord | Verschraubung | Racor | Förskruvning | PG 21 ID = 32MM |
| | VOE 4803771 | REQ | | | | | Hose Coupling | Raccor.flexible | Schlauchkupplg | Acoplam Manguer | Slangkoppling | PG 29 ID A = 29.5MM |
| | | | | | | | Reduction | Reduction | Reduzierung | Reduccion | Reducering | |
| 9 | VOE 11039099 | REQ | | | | | Reduction | Reduction | Reduzierung | Reduccion | Reducering | RED 16-9MM |
| | VOE 11039050 | REQ | | | | | Reduction | Reduction | Reduzierung | Reduccion | Reducering | RED 16-11MM |
| | VOE 4803795 | REQ | | | | | Reduction | Reduction | Reduzierung | Reduccion | Reducering | RED 29-16MM |
| | VOE 11039378 | REQ | | | | | Reduction | Reduction | Reduzierung | Reduccion | Reducering | RED 21-16MM |
| | VOE 11039398 | REQ | | | | | Reduction | Reduction | Reduzierung | Reduccion | Reducering | RED 29-21MM |
| 10 | VOE 11147868 | REQ | | | | | Plastic Nut | Ecrou Plastique | Plastikmutter | Tuerca Plastica | Plastmutter | (VOE 4803793) PG 29 |

| | | | |
|---|--|-----------------------|------------|
| 1 | Slang och förgrening Manguera y bifurcación Schlauch und Verzweigung Flexible et tubulure Hose and manifold | Catalogue id | Group |
| 2 | | 20007 | 379 |
| 3 | | Illustr. No | Section |
| 4 | | 1009676 | 150 |
| 5 | | Issue | Page |
| | | VOE 63D9920007 | 313 |



| Fig. | Part No. | Quantity | | | P S | K I T | Description | Dénomination | Bezeichnung | Denominación | Benämning | Notes |
|------|------------------|----------|---|---|--------|---------------------|----------------------|---------------------|----------------------|---------------------|-----------------|-------|
| | | 1 | 2 | 3 | | | | | | | | |
| 11 | VOE 11039005 REQ | | | | | Bushing | Bague | Buchse | Casquillo | Bussning | | |
| | VOE 11039275 REQ | | | | | Bushing | Bague | Buchse | Casquillo | Bussning | | |
| 12 | VOE 1573077 REQ | | | | | Bellows | Capot Caoutcho | Gummimantel | Cubierta Goma | Gummikåpa | | |
| 13 | VOE 945783 REQ | | | | | Housing Cover | Gaine Isolante | Isolatorhulle | Funda Aislador | Isolatorhölje | 3-POLE | |
| 14 | VOE 1620582 REQ | | | | | Housing Cover | Gaine Isolante | Isolatorhulle | Funda Aislador | Isolatorhölje | | |
| 15 | VOE 14346331 REQ | | | | | Manifold | Tubulure | Verzweigung | Bifurcacion | Förgrening | Tube 10-10-13MM | |
| | VOE 14267351 REQ | | | | | Manifold | Tubulure | Verzweigung | Bifurcacion | Förgrening | Tube 13-10-13MM | |
| | VOE 14340330 REQ | | | | | Manifold | Tubulure | Verzweigung | Bifurcacion | Förgrening | Tube 13-13-10MM | |
| 16 | VOE 11039663 REQ | | | | | Manifold | Tubulure | Verzweigung | Bifurcacion | Förgrening | Tube 22-22-17MM | |
| | VOE 11039664 REQ | | | | | Manifold | Tubulure | Verzweigung | Bifurcacion | Förgrening | Tube 13-13-13MM | |
| | VOE 11039709 REQ | | | | | Manifold | Tubulure | Verzweigung | Bifurcacion | Förgrening | Tube 10-10-10MM | |
| | VOE 11039710 REQ | | | | | Manifold | Tubulure | Verzweigung | Bifurcacion | Förgrening | Tube 17-10-17MM | |
| 17 | VOE 14346386 REQ | | | | | Reduction | Reduction | Reduzierung | Reduccion | Reducering | RED 22/17 MM | |
| | REQ | | | | NS | Reduction | Reduction | Reduzierung | Reduccion | Reducering | RED 13/10 MM | |
| 18 | VOE 11039665 REQ | | | | | Manifold | Tubulure | Verzweigung | Bifurcacion | Förgrening | Tube 10-10-10MM | |
| 19 | VOE 11170084 REQ | | | | | Elbow | Coude | Winkelstueck | Tubo acodado | Vinkel | Nw10 | |
| | VOE 11039843 REQ | | | | | Elbow | Coude | Winkelstueck | Tubo acodado | Vinkel | Nw13 | |

| | | | |
|---|--|-----------------------|------------|
| 1 | Slang och förgrening Manguera y bifurcación Schlauch und Verzweigung Flexible et tubulure Hose and manifold | Catalogue id | Group |
| 2 | | 20007 | 379 |
| 3 | | Illustr. No | Section |
| 4 | | 1009676 | 150 |
| 5 | | Issue | Page |
| | | VOE 63D9920007 | 315 |

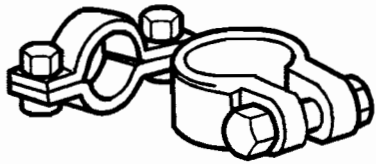
| | | | |
|--|---|--|--|
| <p>1</p>  | <p>2</p>  | <p>3</p>  | <p>4</p>  |
| <p>5</p>  | <p>6</p>  | <p>7</p>  | <p>8</p>  |
| <p>9</p>  | | | |
| | | | <p>Valve Construction Equipment ST 103</p> |

(((((((((

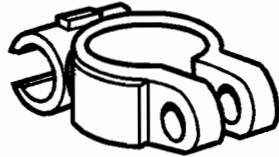
| Fig. | Part No. | Quantity | | | P S | K T | Description | Dénomination | Bezeichnung | Denominación | Benämning | Notes |
|------|--------------|----------|---|---|--------|--------|---------------------|-------------------|-----------------------|---------------------|------------------|---------------------------|
| | | 1 | 2 | 3 | | | | | | | | |
| 1 | VOE 6600001 | REQ | | | | | Cable terminal..... | Cosse cable | Flachsteckhülse | Terminal cable..... | Ledningssko..... | (-) |
| | VOE 6600002 | REQ | | | | | Cable terminal..... | Cosse cable | Flachsteckhülse | Terminal cable..... | Ledningssko..... | (+) |
| 2 | VOE 954505 | REQ | | | | | Cable terminal..... | Cosse cable | Flachsteckhülse | Terminal cable..... | Ledningssko..... | 70 - 95 SQ MM(-) |
| | VOE 954506 | REQ | | | | | Cable terminal..... | Cosse cable | Flachsteckhülse | Terminal cable..... | Ledningssko..... | 70 - 95 SQ MM(+) |
| 3 | VOE 940333 | REQ | | | | | Cable terminal..... | Cosse cable | Flachsteckhülse | Terminal cable..... | Ledningssko..... | 6.5 - 10.5 SQ MM. M8 |
| 4 | VOE 940335 | REQ | | | | | Cable terminal..... | Cosse cable | Flachsteckhülse | Terminal cable..... | Ledningssko..... | 16 SQ MM. M6 |
| | VOE 940337 | REQ | | | | | Cable terminal..... | Cosse cable | Flachsteckhülse | Terminal cable..... | Ledningssko..... | 16 SQ MM. M10 |
| | VOE 965792 | REQ | | | | | Cable terminal..... | Cosse cable | Flachsteckhülse | Terminal cable..... | Ledningssko..... | 25 SQ MM. M10 |
| | VOE 941339 | REQ | | | | | Cable terminal..... | Cosse cable | Flachsteckhülse | Terminal cable..... | Ledningssko..... | 50 SQ MM. M10 |
| | VOE 954510 | REQ | | | | | Cable terminal..... | Cosse cable | Flachsteckhülse | Terminal cable..... | Ledningssko..... | 70 SQ MM. M10 |
| | VOE 13965805 | REQ | | | | | Cable terminal..... | Cosse cable | Flachsteckhülse | Terminal cable..... | Ledningssko..... | 70.1 - 95 SQ MM. M10 |
| | VOE 13965893 | REQ | | | | | Cable terminal..... | Cosse cable | Flachsteckhülse | Terminal cable..... | Ledningssko..... | 70.1 - 95 SQ MM. M10 |
| 5 | VOE 956925 | REQ | | | | | Cable terminal..... | Cosse cable | Flachsteckhülse | Terminal cable..... | Ledningssko..... | 0.5 - 1.0 SQ MM. M4 RED |
| | VOE 956926 | REQ | | | | | Cable terminal..... | Cosse cable | Flachsteckhülse | Terminal cable..... | Ledningssko..... | 0.5 - 1.0 SQ MM. M5 RED |
| | VOE 958220 | REQ | | | | | Cable terminal..... | Cosse cable | Flachsteckhülse | Terminal cable..... | Ledningssko..... | 0.5 - 1.0 SQ MM. M6 RED |
| | VOE 956928 | REQ | | | | | Cable terminal..... | Cosse cable | Flachsteckhülse | Terminal cable..... | Ledningssko..... | 1.5 - 2.5 SQ MM. M4 BLUE |
| | VOE 956929 | REQ | | | | | Cable terminal..... | Cosse cable | Flachsteckhülse | Terminal cable..... | Ledningssko..... | 1.5 - 2.5 SQ MM. M5 BLUE |
| | VOE 956930 | REQ | | | | | Cable terminal..... | Cosse cable | Flachsteckhülse | Terminal cable..... | Ledningssko..... | 1.5 - 2.5 SQ MM. M6 BLUE |
| | VOE 956931 | REQ | | | | | Cable terminal..... | Cosse cable | Flachsteckhülse | Terminal cable..... | Ledningssko..... | 1.5 - 2.5 SQ MM. M8 BLUE |
| | VOE 956965 | REQ | | | | | Cable terminal..... | Cosse cable | Flachsteckhülse | Terminal cable..... | Ledningssko..... | 1.5 - 2.5 SQ MM. M10 BLUE |
| | VOE 956933 | REQ | | | | | Cable terminal..... | Cosse cable | Flachsteckhülse | Terminal cable..... | Ledningssko..... | 4 - 6 SQ MM. M5 YELL |
| | VOE 956934 | REQ | | | | | Cable terminal..... | Cosse cable | Flachsteckhülse | Terminal cable..... | Ledningssko..... | 4 - 6 SQ MM. M6 YELL |
| | VOE 956936 | REQ | | | | | Cable terminal..... | Cosse cable | Flachsteckhülse | Terminal cable..... | Ledningssko..... | 4 - 6 SQ MM. M10 YELL |

| | | | | |
|---|--|--|-----------------------|------------|
| 1 | | Ledningssko Cable terminal Kabelschuh Cosse de câble Cable terminal | Catalogue id | Group |
| 2 | | | 20007 | 379 |
| 3 | | | Illustr. No | Section |
| 4 | | | ST103 | 200 |
| 5 | | | Issue | Page |
| | | | VOE 63D9920007 | 317 |

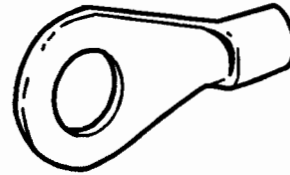
1



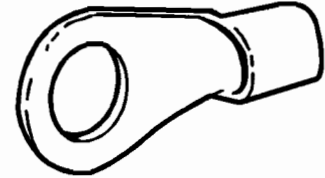
2



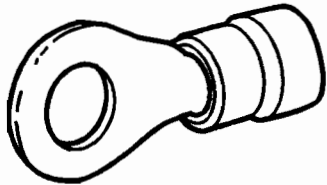
3



4



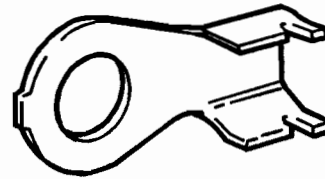
5



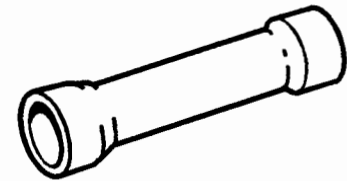
6



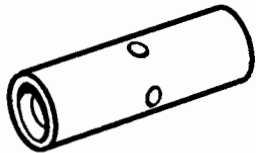
7



8



9

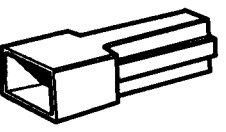
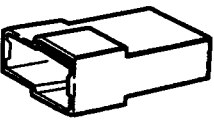
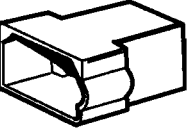
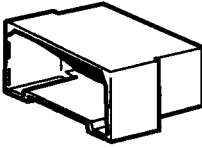
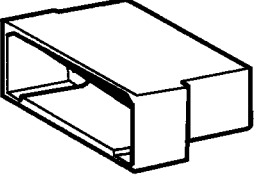
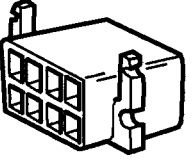
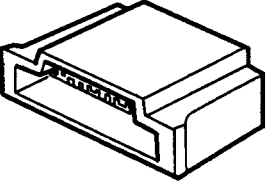



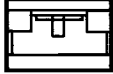
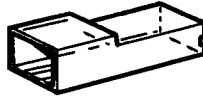
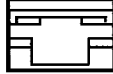
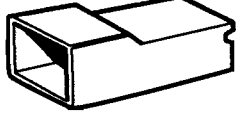
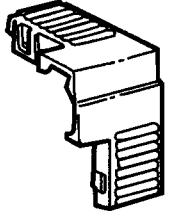
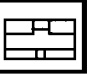
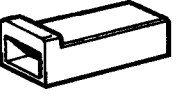
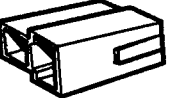
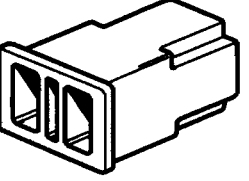
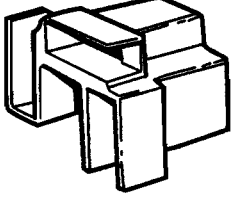
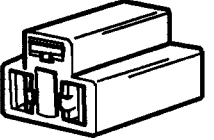
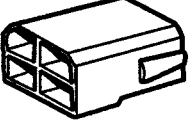
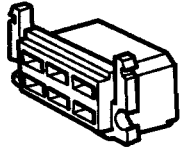
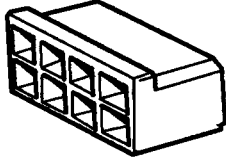
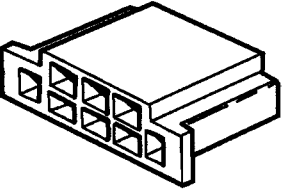



| Fig. | Part No. | Quantity | | | P S | K I T | Description | Dénomination | Bezeichnung | Denominación | Benämning | Notes |
|------|--------------|----------|---|---|--------|-------------|---------------------|----------------------|-----------------------|----------------------|------------------|-------------------------------------|
| | | 1 | 2 | 3 | | | | | | | | |
| 6 | VOE 13947459 | REQ | | | | | Cable terminal..... | Cosse cable | Flachsteckhülse | Terminal cable..... | Ledningssko..... | 25 SQ MM. M6 |
| | VOE 13967812 | REQ | | | | | Cable terminal..... | Cosse cable | Flachsteckhülse | Terminal cable..... | Ledningssko..... | 35 SQ MM. M6 |
| | VOE 13941935 | REQ | | | | | Cable terminal..... | Cosse cable | Flachsteckhülse | Terminal cable..... | Ledningssko..... | 35 SQ MM. M8 |
| | VOE 13968137 | REQ | | | | | Cable terminal..... | Cosse cable | Flachsteckhülse | Terminal cable..... | Ledningssko..... | 50 SQ MM. M6 |
| | VOE 13965890 | REQ | | | | | Cable terminal..... | Cosse cable | Flachsteckhülse | Terminal cable..... | Ledningssko..... | 50 SQ MM. M8 |
| 7 | VOE 958220 | REQ | | | | | Cable terminal..... | Cosse cable | Flachsteckhülse | Terminal cable..... | Ledningssko..... | (VOE 970783) 0.5 - 1.0 SQ MM. M6 |
| | VOE 970795 | REQ | | | | | Cable terminal..... | Cosse cable | Flachsteckhülse | Terminal cable..... | Ledningssko..... | 2.6 - 6.0 SQ MM. M8 |
| 8 | VOE 956956 | REQ | | | | | Splice | Douille Raccord..... | Verbindungsmuff..... | Manguito Union | Skarvhylsa..... | 0.5 - 1.0 SQ MM. RED |
| | VOE 956958 | REQ | | | | | Splice | Douille Raccord..... | Verbindungsmuff..... | Manguito Union | Skarvhylsa..... | 1.5 - 2.5 SQ MM. BLUE |
| | VOE 956960 | REQ | | | | | Splice | Douille Raccord..... | Verbindungsmuff..... | Manguito Union | Skarvhylsa..... | 3 - 6 SQ MM. YELL |
| 9 | VOE 946165 | REQ | | | | | Splice | Douille Raccord..... | Verbindungsmuff..... | Manguito Union | Skarvhylsa..... | 0.25 - 1.6 SQ MM |

| | | | | |
|---|--|--|-----------------------|------------|
| 1 | | Ledningssko Cable terminal Kabelschuh Cosse de câble Cable terminal | Catalogue id | Group |
| 2 | | | 20007 | 379 |
| 3 | | | Illustr. No | Section |
| 4 | | | ST103 | 200 |
| 5 | | | Issue | Page |
| | | | VOE 63D9920007 | 319 |

VOLVO

L90E

| | | | | | |
|---|--|---|---|--|---|
| <p>1</p>  | <p>2</p>  | <p>3</p>  | <p>4</p>  | <p>5</p>  | <p>6</p>  |
| <p>7</p>  | <p>8</p> <p>Type 1 </p> <p>Type 2 </p>  | <p>9</p> <p>Type 1 </p>  | <p>10</p> <p>Type 2 </p>  | <p>11</p>  | <p>12</p>   |
| <p>13</p>  | <p>14</p>  | <p>15</p>  | <p>16</p>  | <p>17</p>  | <p>18</p>  |
| <p>19</p>  | <p>20</p>  | <p>21</p>  | | | <p>Volvo Construction Equipment Group ST 104A</p> |

| Fig. | Part No. | Quantity | | | P S | K I T | Description | Dénomination | Bezeichnung | Denominación | Benämning | Notes |
|------|--------------|----------|---|---|--------|----------------------------|--------------------------|------------------------|-----------------------------|-------------------------|--|-------|
| | | 1 | 2 | 3 | | | | | | | | |
| | | | | | | Tab housing | Fiche isolante | Flachstecker | Aislador clavija | Stiftisolator | | |
| | | | | | | <i>•For Cable terminal</i> | <i>•Pour Cosse cable</i> | <i>•Für Kabelschuh</i> | <i>•Para Terminal cable</i> | <i>•För Ledningssko</i> | 6,3 MM | |
| 1 | VOE 958207 | REQ | | | | Insulator | Isolateur | Isolator | Aislador | Isolator..... | 6.3 x 1-POLE | |
| 2 | VOE 958209 | REQ | | | | Insulator | Isolateur | Isolator | Aislador | Isolator..... | 6.3 x 2-POLE | |
| 3 | VOE 13958212 | REQ | | | | Pin Housing..... | Fiche Isolante..... | Rundstecker | Aislad Clavija..... | Stiftisolator..... | 6.3 x 4-POLE | |
| | VOE 948855 | REQ | | | | Insulator | Isolateur | Isolator | Aislador | Isolator..... | 6.3 x 4-POLE | |
| 4 | VOE 13964197 | REQ | | | | Insulator | Isolateur | Isolator | Aislador | Isolator..... | 6.3 x 6-POLE | |
| 5 | VOE 13965756 | REQ | | | | Housing..... | Isolant | Isolator | Aislador | Isolator..... | 6.3 x 8-POLE GREY | |
| | VOE 1234417 | REQ | | | | Insulator | Isolateur | Isolator | Aislador | Isolator..... | 6.3 x 8-POLE BL | |
| 6 | VOE 944077 | REQ | | | | Pin Housing..... | Fiche Isolante..... | Rundstecker | Aislad Clavija..... | Stiftisolator..... | 6.3 x 8-POLE | |
| 7 | VOE 941105 | REQ | | | | Insulator | Isolateur | Isolator | Aislador | Isolator..... | 6.3 x 8-POLE | |
| | | | | | | Receptacle Housing | Douille Isolante | Steckbuchse | Aislador Manguito | Hylsisolator | | |
| | | | | | | <i>•For Cable terminal</i> | <i>•Pour Cosse cable</i> | <i>•Für Kabelschuh</i> | <i>•Para Terminal cable</i> | <i>•För Ledningssko</i> | 4,8/6,3 MM | |
| 8 | VOE 13947848 | REQ | | | | Insulator | Isolateur | Isolator | Aislador | Isolator..... | 4.8 x 1-POLE Cable area max. 2,5 SQ M | |
| 9 | VOE 13949597 | REQ | | | | Protecting Sleeve..... | Manchon Protection ... | Schutzhulle..... | Manguito Protec | Skyddshylsa..... | 6.3 x 1-POLE Cable area max. 2,5 SQ M | |
| 10 | VOE 943511 | REQ | | | | Insulator | Isolateur | Isolator | Aislador | Isolator..... | 6.3 x 1-POLE Cable area max. 6,0 SQ M | |
| 11 | VOE 13944221 | REQ | | | | Housing..... | Isolant | Isolator | Aislador | Isolator..... | 6.3 x 1-POLE | |
| 12 | VOE 958208 | REQ | | | | Rcpt Housing | Douille Isolan. | Steckbuchse..... | Aislador Mangui | Hylsisolator..... | 1252) 6.3 x 1-POLE | |
| 13 | VOE 13964167 | REQ | | | | Insulator | Isolateur | Isolator | Aislador | Isolator..... | 6.3 x 2-POLE | |
| | VOE 13958210 | REQ | | | | Rcpt Housing | Douille Isolan. | Steckbuchse..... | Aislador Mangui | Hylsisolator..... | 6.3 x 2-POLE | |
| 14 | VOE 4803532 | REQ | | | | Rcpt Housing | Douille Isolan. | Steckbuchse..... | Aislador Mangui | Hylsisolator..... | 6.3 x 2-POLE | |
| 15 | VOE 784593 | REQ | | | | Contact..... | Contact..... | Kontakt | Contacto | Kontakt | 6.3x3-POLE. Base P43t-18 | |
| 16 | VOE 945469 | REQ | | | | Rcpt Housing | Douille Isolan. | Steckbuchse..... | Aislador Mangui | Hylsisolator..... | 6.3 x 3-POLE | |
| 17 | VOE 13948856 | REQ | | | | Insulator | Isolateur | Isolator | Aislador | Isolator..... | 6.3 x 4-POLE | |
| | VOE 958213 | REQ | | | | Insulator | Isolateur | Isolator | Aislador | Isolator..... | 6.3 x 4-POLE | |

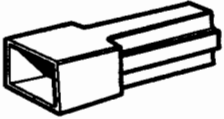
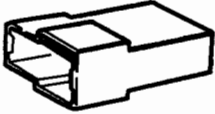

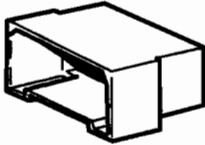
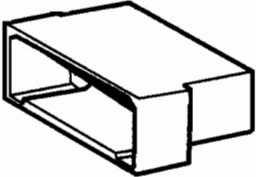
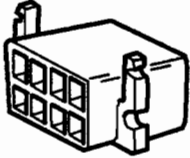
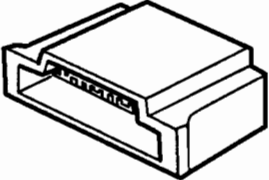




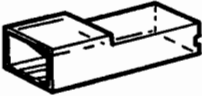

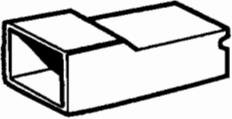
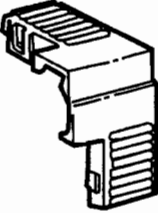

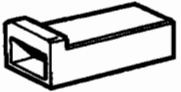
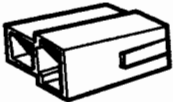
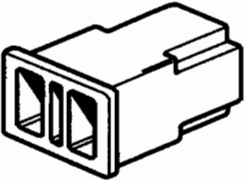
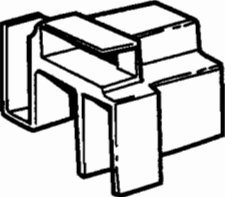
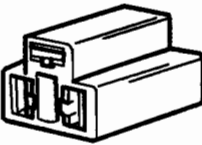
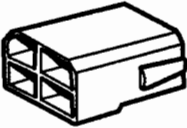
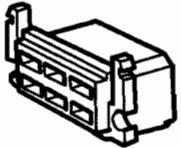
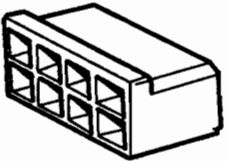
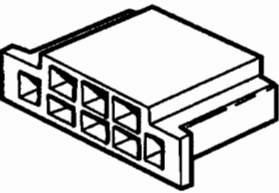

1252) GB: Mating receptacle part Nos. 949201, 973150. FR: Numéro d'article pour cosse cable convenable 949201, 973150. DE: Bestellnummer für passend Kabelschuh 949201, 973150.

ES: Número de detalle para terminal cable adaptar 949201, 973150. SE: Passande flatstiftshylsa art.nr. 949201, 973150.

| | | | |
|---|------------------------------|----------------|---------|
| 1 | Isolator för flatstift | Catalogue id | Group |
| 2 | Aislador para clavija plana | 20007 | 379 |
| 3 | Isolator für Flachstecker | Illustr. No | Section |
| 4 | Isolant pour fiche plate | ST104A | 300 |
| 5 | Insulator for spade terminal | Issue | Page |
| | | VOE 63D9920007 | 321 |

VOLVO

L90E

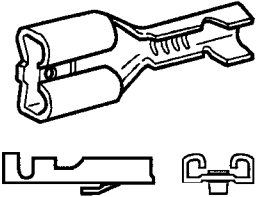
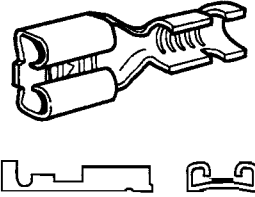
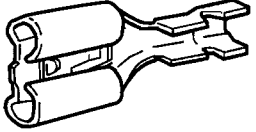
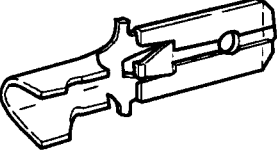
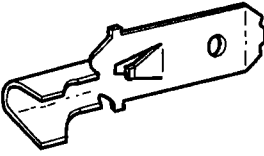
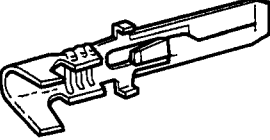
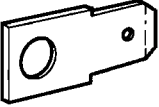
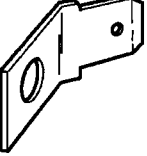
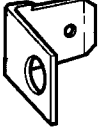
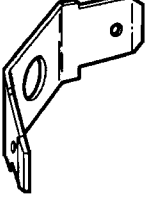
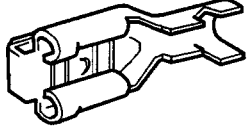
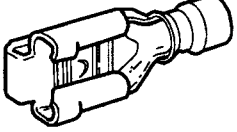
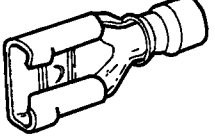
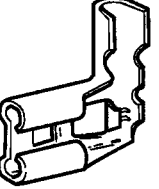


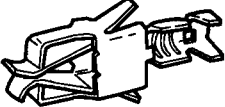
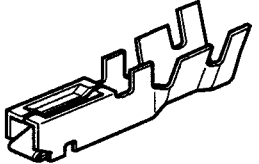
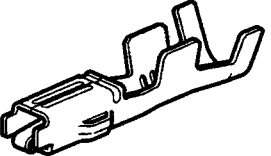
| | | | | | |
|---|--|---|---|--|--|
| 1  | 2  | 3  | 4  | 5  | 6  |
| 7  | 8 Type 1  Type 2   | 9 Type 1   | 10 Type 2   | 11  | 12   |
| 13  | 14  | 15  | 16  | 17  | 18  |
| 19  | 20  | 21  | | | <p>Volvo Construction Equipment Group ST 104A</p> |

| Fig. | Part No. | Quantity | | | P S | K I T | Description | Dénomination | Bezeichnung | Denominación | Benämning | Notes |
|------|--------------|----------|---|---|--------|-------------|--------------------|----------------------|------------------|-----------------------|-------------------|--------------|
| | | 1 | 2 | 3 | | | | | | | | |
| 18 | VOE 958215 | REQ | | | | | Rcpt Housing | Douille Isolan. | Steckbuchse..... | Aislador Mangui | Hylsisolator..... | 6.3 x 6-POLE |
| 19 | VOE 944076 | REQ | | | | | Insulator | Isolateur | Isolator | Aislador | Isolator..... | 6.3 x 8-POLE |
| | VOE 13965757 | REQ | | | | | Housing..... | Isolant | Isolator | Aislador | Isolator..... | 6.3 x 8-POLE |
| 20 | VOE 941104 | REQ | | | | | Rcpt Housing | Douille Isolan. | Steckbuchse..... | Aislador Mangui | Hylsisolator..... | 6.3 x 8-POLE |
| 21 | VOE 4803454 | REQ | | | | | Rcpt Housing | Douille Isolan. | Steckbuchse..... | Aislador Mangui | Hylsisolator..... | 6.3 x 8-POLE |

| | | | |
|---|---|----------------|------------|
| 1 | Isolator för flatstift Aislador para clavija plana Isolator für Flachstecker Isolant pour fiche plate Insulator for spade terminal | Catalogue id | Group |
| 2 | | 20007 | 379 |
| 3 | | Illustr. No | Section |
| 4 | | ST104A | 300 |
| 5 | | Issue | Page |
| | | VOE 63D9920007 | 323 |

VOLVO

L90E

| | | | | | |
|---|--|--|---|---|--|
| <p>1</p>  | <p>2</p>  | <p>3</p>  | <p>4</p>  | <p>5</p>  | <p>6</p>  |
| <p>7</p>  | <p>8</p>  | <p>9</p>  | <p>10</p>  | <p>11</p>  | <p>12</p>  |
| <p>13</p>  | <p>14</p>  | <p>15</p>  | <p>16</p>  | <p>17</p>  | <p>18</p>  |
| <p>19</p>  | | | | | <p>Volvo Construction Equipment 1009667</p> |

((((((((

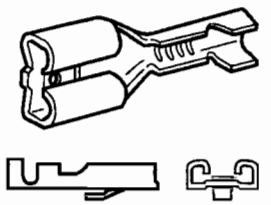
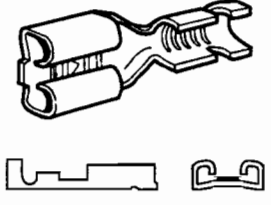
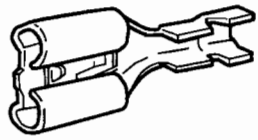
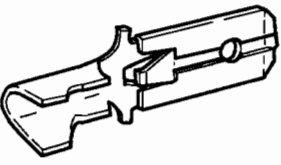
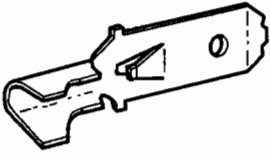
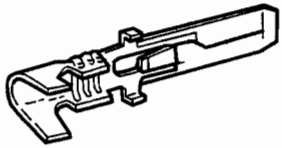
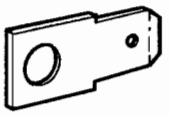
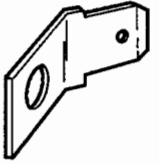
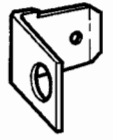
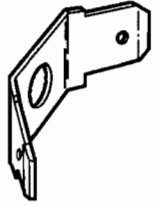
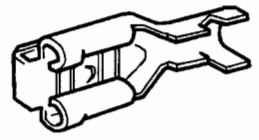
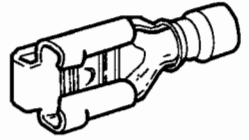
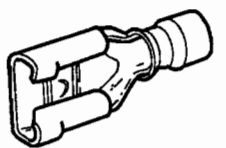
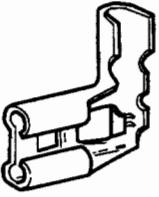
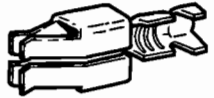
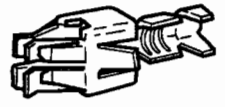
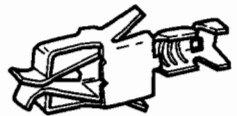
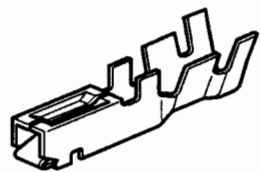
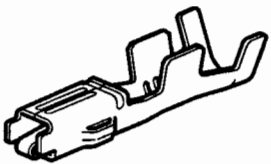
| Fig. | Part No. | Quantity | | | P S | K I T | Description | Dénomination | Bezeichnung | Denominación | Benämning | Notes |
|------|------------|----------|---|---|--------|-----------------------|--------------------|-----------------------|-----------------------|--------------------|--------------------------|-------|
| | | 1 | 2 | 3 | | | | | | | | |
| | | | | | | Cable terminal | Cosse cable | Kabelschuh | Terminal cable | Ledningssko | 1250) | |
| 1 | VOE 949404 | REQ | | | | Cable terminal..... | Cosse cable | Flachsteckhülse | Terminal cable..... | Ledningssko..... | 4.8x1.0 - 2.5 SQ MM(FB) | |
| | VOE 973119 | REQ | | | | Cable terminal..... | Cosse cable | Flachsteckhülse | Terminal cable..... | Ledningssko..... | 6.3x0,5 - 1,0 SQ MM(M) | |
| | VOE 973149 | REQ | | | | Cable terminal..... | Cosse cable | Flachsteckhülse | Terminal cable..... | Ledningssko..... | 6.3x0,5 - 1,0 SQ MM(FB) | |
| | VOE 973121 | REQ | | | | Cable terminal..... | Cosse cable | Flachsteckhülse | Terminal cable..... | Ledningssko..... | 6.3x0,5 - 1,0 SQ MM(FB) | |
| | VOE 949210 | REQ | | | | Cable terminal..... | Cosse cable | Flachsteckhülse | Terminal cable..... | Ledningssko..... | 6.3x0.75 - 1.0 SQ MM(FB) | |
| | VOE 973120 | REQ | | | | Cable terminal..... | Cosse cable | Flachsteckhülse | Terminal cable..... | Ledningssko..... | 6.3x1,1 - 2,5 SQ MM(M) | |
| | VOE 973122 | REQ | | | | Cable terminal..... | Cosse cable | Flachsteckhülse | Terminal cable..... | Ledningssko..... | 6,3x1,1 - 2,5 SQ MM (FB) | |
| | VOE 973123 | REQ | | | | Cable terminal..... | Cosse cable | Flachsteckhülse | Terminal cable..... | Ledningssko..... | 6.3x0,5 - 1,0 SQ MM(FB) | |
| | VOE 973124 | REQ | | | | Cable terminal..... | Cosse cable | Flachsteckhülse | Terminal cable..... | Ledningssko..... | 6.3x1.1 - 2.5 SQ MM(FB) | |
| | VOE 949211 | REQ | | | | Cable terminal..... | Cosse cable | Flachsteckhülse | Terminal cable..... | Ledningssko..... | 6.3x1.5 - 2.5 SQ MM(FB) | |
| | VOE 881484 | REQ | | | | Cable terminal..... | Cosse cable | Flachsteckhülse | Terminal cable..... | Ledningssko..... | 6.3x4 - 6 SQ MM(FB) | |
| | | | | | | Cable terminal | Cosse cable | Kabelschuh | Terminal cable | Ledningssko | 1251) | |
| 2 | VOE 970745 | REQ | | | | Cable terminal..... | Cosse cable | Flachsteckhülse | Terminal cable..... | Ledningssko..... | 6.3x0.5 - 1.0 SQ MM(FB) | |
| | VOE 949400 | REQ | | | | Cable terminal..... | Cosse cable | Flachsteckhülse | Terminal cable..... | Ledningssko..... | 6.3x0.5 - 1.0 SQ MM(FB) | |
| | VOE 949201 | REQ | | | | Cable terminal..... | Cosse cable | Flachsteckhülse | Terminal cable..... | Ledningssko..... | 6.3x1.0 - 2.5 SQ MM(FB) | |
| | VOE 973150 | REQ | | | | Cable terminal..... | Cosse cable | Flachsteckhülse | Terminal cable..... | Ledningssko..... | 6.3x1.0 - 2.5 SQ MM(FB) | |
| | VOE 970746 | REQ | | | | Cable terminal..... | Cosse cable | Flachsteckhülse | Terminal cable..... | Ledningssko..... | 6.3x1.1 - 2.5 SQ MM(FB) | |
| | VOE 949489 | REQ | | | | Cable terminal..... | Cosse cable | Flachsteckhülse | Terminal cable..... | Ledningssko..... | 6,3x1.1 - 2.5 SQ MM(FB) | |
| | VOE 949401 | REQ | | | | Cable terminal..... | Cosse cable | Flachsteckhülse | Terminal cable..... | Ledningssko..... | 6.3x4.0 - 6.0 SQ MM(FB) | |
| 3 | | REQ | | | NS | Cable terminal..... | Cosse cable | Kabelschuh | Terminal cable..... | Kabelsko..... | 8.0x1.3 - 3.3 SQ MM(FB) | |
| | VOE 949604 | REQ | | | | Cable terminal..... | Cosse cable | Kabelschuh | Terminal cable..... | Ledningssko..... | 8.0x1.3 - 3.3 SQ MM(FB) | |
| 4 | VOE 973117 | REQ | | | | Cable terminal..... | Cosse cable | Flachsteckhülse | Terminal cable..... | Ledningssko..... | 6.3x0,5 - 1,0 SQ MM(FB) | |

1230) **GB:** Notes: Cable terminal size Ex.: 3.5 x Area (area - Sq Mm). Material-(m) = Brass, material-(fb) = Bronze. **FR:** Notes: Cosse cable grandeur Ex.: 3.5 x section (section - Sq Mm). Matière-(m) = Laiton. Matière-(fb) = Bronze. **DE:** Notes: Kabelschuh Grösse Ex.: 3.5 x Fläche (fläche- Sq Mm). Material-(m) = Messing, material-(fb) = Bronze. **ES:** Notes: Terminal cable tamaño Ex.: 3.5 x área (área - Sq Mm). Material-(m) = Latón, material-(fb) = Bronce. **SE:** Notes: Ledningssko storlek Ex.: 3.5 x Area (area - Sq Mm). Material-(m) = Mässing, material-(fb) = Fosfaterad brons.

1250) **GB:** Without locking lance. **FR:** Sans languette verrouillage. **DE:** Ohne Sperrzunge. **ES:** Sin lengüeta de seguridad. **SE:** Utan låshake.

1251) **GB:** With locking lance for receptacle housing. **FR:** Avec languette verrouillage pour douille isolant. **DE:** Mit Sperrzunge für Steckbuchse. **ES:** Con lengüeta de seguridad para aislador mango. **SE:** Med låshake för hylisolator.

| | | | | |
|---|---------|----------------|----------------|---------|
| 1 | 1230) . | Flatstift | Catalogue id | Group |
| 2 | | Clavija plana | 20007 | 379 |
| 3 | | Flachstecker | Illustr. No | Section |
| 4 | | Fiche plate | 1009667 | 400 |
| 5 | | Spade terminal | Issue | Page |
| | | | VOE 63D9920007 | 325 |

| | | | | | |
|---|--|--|---|---|--|
| <p>1</p>  | <p>2</p>  | <p>3</p>  | <p>4</p>  | <p>5</p>  | <p>6</p>  |
| <p>7</p>  | <p>8</p>  | <p>9</p>  | <p>10</p>  | <p>11</p>  | <p>12</p>  |
| <p>13</p>  | <p>14</p>  | <p>15</p>  | <p>16</p>  | <p>17</p>  | <p>18</p>  |
| <p>19</p>  | | | | | <p>Volvo Construction Equipment 1009667</p> |

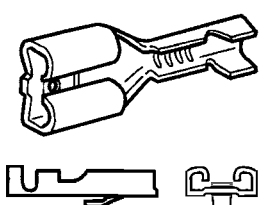
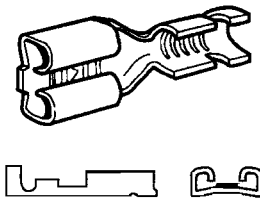
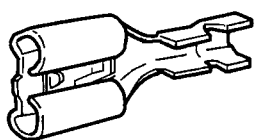
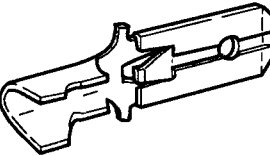
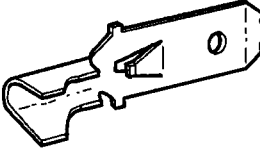
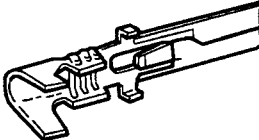
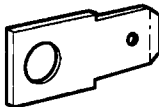
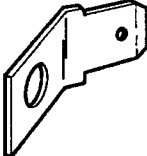
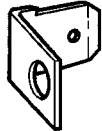
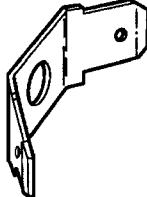
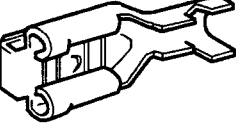
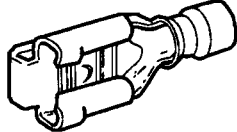
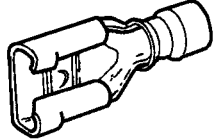
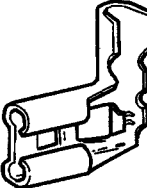
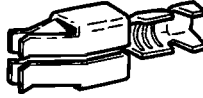
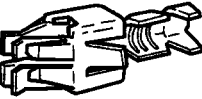
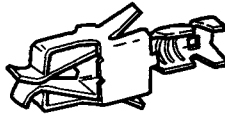
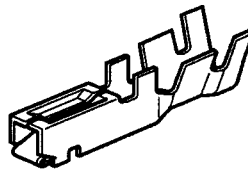
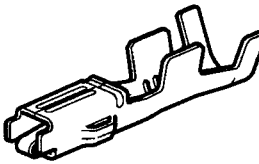
| Fig. | Part No. | Quantity | | | P S | K I T | Description | Dénomination | Bezeichnung | Denominación | Benämning | Notes |
|------|--------------|----------|---|---|--------|-------------|---------------------|-------------------|-----------------------|---------------------|------------------|---------------------------|
| | | 1 | 2 | 3 | | | | | | | | |
| | VOE 949490 | REQ | | | | | Cable terminal..... | Cosse cable | Flachsteckhülse | Terminal cable..... | Ledningssko..... | 6.3x0.75 - 2.5 SQ MM(FB) |
| | VOE 13949473 | REQ | | | | | Cable terminal..... | Cosse cable | Flachsteckhülse | Terminal cable..... | Ledningssko..... | 6.3x4.0 - 6.0 SQ MM(FB) |
| 5 | VOE 13949474 | REQ | | | | | Cable terminal..... | Cosse cable | Flachsteckhülse | Terminal cable..... | Ledningssko..... | 6.3x0.75 - 2.5 SQ MM(FB) |
| 6 | VOE 969780 | REQ | | | | | Cable terminal..... | Cosse cable | Flachsteckhülse | Terminal cable..... | Ledningssko..... | 2.8x0.2 - 0.5 SQ MM(M) |
| | VOE 969781 | REQ | | | | | Cable terminal..... | Cosse cable | Flachsteckhülse | Terminal cable..... | Ledningssko..... | 2.8x1.1 - 2.5 SQ MM(M) |
| 7 | VOE 944485 | REQ | | | | | Cable terminal..... | Cosse cable | Flachsteckhülse | Terminal cable..... | Ledningssko..... | 6,3x. M5 |
| 8 | VOE 13946118 | REQ | | | | | Spade Terminal..... | Fiche Plate | Flachstecker | Clavija Plana | Flatstift..... | 6,3x. M3 |
| | VOE 941881 | REQ | | | | | Cable terminal..... | Cosse cable | Flachsteckhülse | Terminal cable..... | Ledningssko..... | 6,3x. M4 |
| 9 | VOE 941957 | REQ | | | | | Cable terminal..... | Cosse cable | Flachsteckhülse | Terminal cable..... | Ledningssko..... | 6,3x. M4 |
| 10 | VOE 1269755 | REQ | | | | | Spade Terminal..... | Fiche Plate | Flachstecker | Clavija Plana | Flatstift..... | 6,3x. M6 |
| 11 | VOE 13949606 | REQ | | | | | Cable terminal..... | Cosse cable | Flachsteckhülse | Terminal cable..... | Ledningssko..... | 6.3x0.75 - 2.1 SQ MM(FB) |
| 12 | VOE 941730 | REQ | | | | | Cable terminal..... | Cosse cable | Flachsteckhülse | Terminal cable..... | Ledningssko..... | 6.3x1.5 - 2.5 SQ MM(M) |
| 13 | VOE 940340 | REQ | | | | | Cable terminal..... | Cosse cable | Flachsteckhülse | Terminal cable..... | Ledningssko..... | 6.3x0.5-1 SQ MM RED |
| | VOE 940341 | REQ | | | | | Cable terminal..... | Cosse cable | Flachsteckhülse | Terminal cable..... | Ledningssko..... | 6.3x1.1-2.5 SQ MM BLUE |
| | VOE 958201 | REQ | | | | | Cable terminal..... | Cosse cable | Flachsteckhülse | Terminal cable..... | Ledningssko..... | 6.3x4 - 6 SQ MM YELL |
| 14 | VOE 13949598 | REQ | | | | | Cable terminal..... | Cosse cable | Flachsteckhülse | Terminal cable..... | Ledningssko..... | 8.0x1.0 - 2.5 SQ MM(FB) |
| | VOE 973132 | REQ | | | | | Cable terminal..... | Cosse cable | Flachsteckhülse | Terminal cable..... | Ledningssko..... | 8.0x1.0 - 2.5 SQ MM(FB) |
| 15 | VOE 13946640 | REQ | | | | | Cable terminal..... | Cosse cable | Flachsteckhülse | Terminal cable..... | Ledningssko..... | 4.8x0.5 - 1.0 SQ MM(FB) |
| | VOE 965107 | REQ | | | | | Cable terminal..... | Cosse cable | Flachsteckhülse | Terminal cable..... | Ledningssko..... | 4.8x1.0 - 2.5 SQ MM(FB) |
| 16 | VOE 979001 | REQ | | | | | Cable terminal..... | Cosse cable | Flachsteckhülse | Terminal cable..... | Ledningssko..... | 6.3x0.5 - 1.0 SQ MM(FB) |
| | VOE 979002 | REQ | | | | | Cable terminal..... | Cosse cable | Flachsteckhülse | Terminal cable..... | Ledningssko..... | 6.3/4.8x1.1-2.5 SQ MM(FB) |
| 17 | VOE 970776 | REQ | | | | | Cable terminal..... | Cosse cable | Flachsteckhülse | Terminal cable..... | Ledningssko..... | 4.8/2.8x0.5-1.0 SQ MM(FB) |
| | VOE 976749 | REQ | | | | | Cable terminal..... | Cosse cable | Flachsteckhülse | Terminal cable..... | Ledningssko..... | 4.8/2.8x0.5-1.0 SQ MM(FB) |
| | VOE 13970778 | REQ | | | | | Cable terminal..... | Cosse cable | Flachsteckhülse | Terminal cable..... | Ledningssko..... | 4.8/2.8x0.5-1.0 SQ MM(FB) |
| | VOE 970779 | REQ | | | | | Cable terminal..... | Cosse cable | Flachsteckhülse | Terminal cable..... | Ledningssko..... | 4.8/2.8x1.1-2.5 SQ MM(FB) |
| | VOE 970777 | REQ | | | | | Cable terminal..... | Cosse cable | Flachsteckhülse | Terminal cable..... | Ledningssko..... | 4.8/2.8x1.1-2.5 SQ MM(FB) |

1230) **GB:** Notes: Cable terminal size Ex.: 3.5 x Area (area - Sq Mm). Material-(m) = Brass, material-(fb) = Bronze. **FR:** Notes: Cosse cable grandeur Ex.: 3.5 x section (section - Sq Mm). Matière-(m) = Laiton. Matière-(fb) = Bronze. **DE:** Notes: Kabelschuh Grösse Ex.: 3.5 x Fläche (fläche- Sq Mm). Material-(m) = Messing, material-(fb) = Bronze. **ES:** Notes: Terminal cable tamaño Ex.: 3.5 x área (área - Sq Mm). Material-(m) = Latón, material-(fb) = Bronce. **SE:** Notes: Ledningssko storlek Ex.: 3.5 x Area (area - Sq Mm). Material-(m) = Mässing, material-(fb) = Fosfaterad brons.

| | | | | |
|---|---------|--|----------------|------------|
| 1 | 1230) . | Flatstift Clavija plana Flachstecker Fiche plate Spade terminal | Catalogue id | Group |
| 2 | | | 20007 | 379 |
| 3 | | | Illustr. No | Section |
| 4 | | | 1009667 | 400 |
| 5 | | | Issue | Page |
| | | | VOE 63D9920007 | 327 |

VOLVO

L90E

| | | | | | |
|---|--|--|---|---|--|
| <p>1</p>  | <p>2</p>  | <p>3</p>  | <p>4</p>  | <p>5</p>  | <p>6</p>  |
| <p>7</p>  | <p>8</p>  | <p>9</p>  | <p>10</p>  | <p>11</p>  | <p>12</p>  |
| <p>13</p>  | <p>14</p>  | <p>15</p>  | <p>16</p>  | <p>17</p>  | <p>18</p>  |
| <p>19</p>  | | | | | <p>Volvo Construction Equipment 1009667</p> |

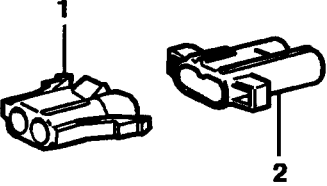
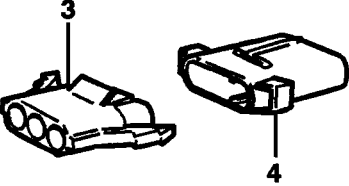
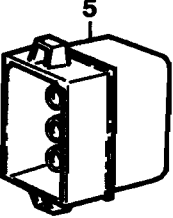
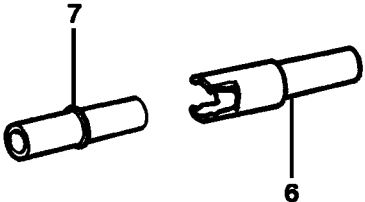
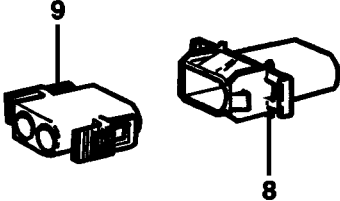
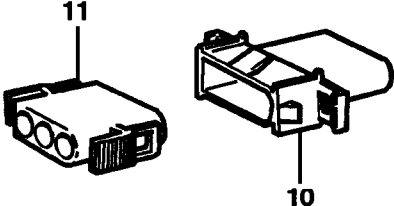
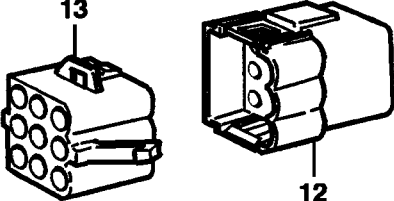
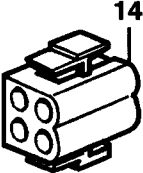
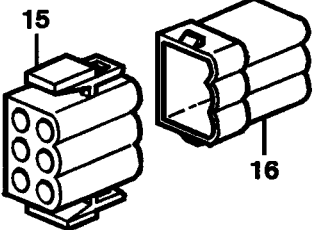
| Fig. | Part No. | Quantity | | | P S | K I T | Description | Dénomination | Bezeichnung | Denominación | Benämning | Notes |
|------|---------------------|----------|---|---|--------|-------------|---------------------|-------------------|-----------------------|---------------------|------------------|--------------------------------------|
| | | 1 | 2 | 3 | | | | | | | | |
| | VOE 13976750 | REQ | | | | | Cable terminal..... | Cosse cable | Flachsteckhülse | Terminal cable..... | Ledningssko..... | 4.8/2.8x1.1-2.5 SQ MM(FB) |
| 18 | VOE 11704652 | REQ | | | | | Cable terminal..... | Cosse cable | Flachsteckhülse | Terminal cable..... | Ledningssko..... | Type SDL 0,3-0,85 SQ MM (9130228) |
| | VOE 9130230 | REQ | | | | | Cable terminal..... | Cosse cable | Flachsteckhülse | Terminal cable..... | Ledningssko..... | Type SDL 1,25-2,00 SQ MM |
| 19 | VOE 977539 | REQ | | | | | Cable terminal..... | Cosse cable | Flachsteckhülse | Terminal cable..... | Ledningssko..... | Cu/Ni/Au 0,5 - 2,0 SQ MM |

1230) **GB:** Notes: Cable terminal size Ex.: 3.5 x Area (area - Sq Mm). Material-(m) = Brass, material-(fb) = Bronze. **FR:** Notes: Cosse cable grandeur Ex.: 3.5 x section (section - Sq Mm). Matière-(m) = Laiton. Matière-(fb) = Bronze. **DE:** Notes: Kabelschuh Grösse Ex.: 3.5 x Fläche (fläche- Sq Mm). Material-(m) = Messing, material-(fb) = Bronze. **ES:** Notes: Terminal cable tamaño Ex.: 3.5 x área (área - Sq Mm). Material-(m) = Latón, material-(fb) = Bronce. **SE:** Notes: Ledningssko storlek Ex.: 3.5 x Area (area - Sq Mm). Material-(m) = Mässing, material-(fb) = Fosfaterad brons.

| | | | | |
|---|---------|--|----------------|------------|
| 1 | 1230) . | Flatstift Clavija plana Flachstecker Fiche plate Spade terminal | Catalogue id | Group |
| 2 | | | 20007 | 379 |
| 3 | | | Illustr. No | Section |
| 4 | | | 1009667 | 400 |
| 5 | | | Issue | Page |
| | | VOE 63D9920007 | 329 | |

VOLVO

L90E

| | | | |
|--|---|--|--|
|  <p>1 2</p> |  <p>3 4</p> |  <p>5</p> |  <p>7 6</p> |
|  <p>9 8</p> |  <p>11 10</p> |  <p>13 12</p> |  <p>14</p> |
|  <p>15 16</p> | | | |
| | | | <p>Volvo Construction Equipment ST 106</p> |

(

(

(

(

(

(

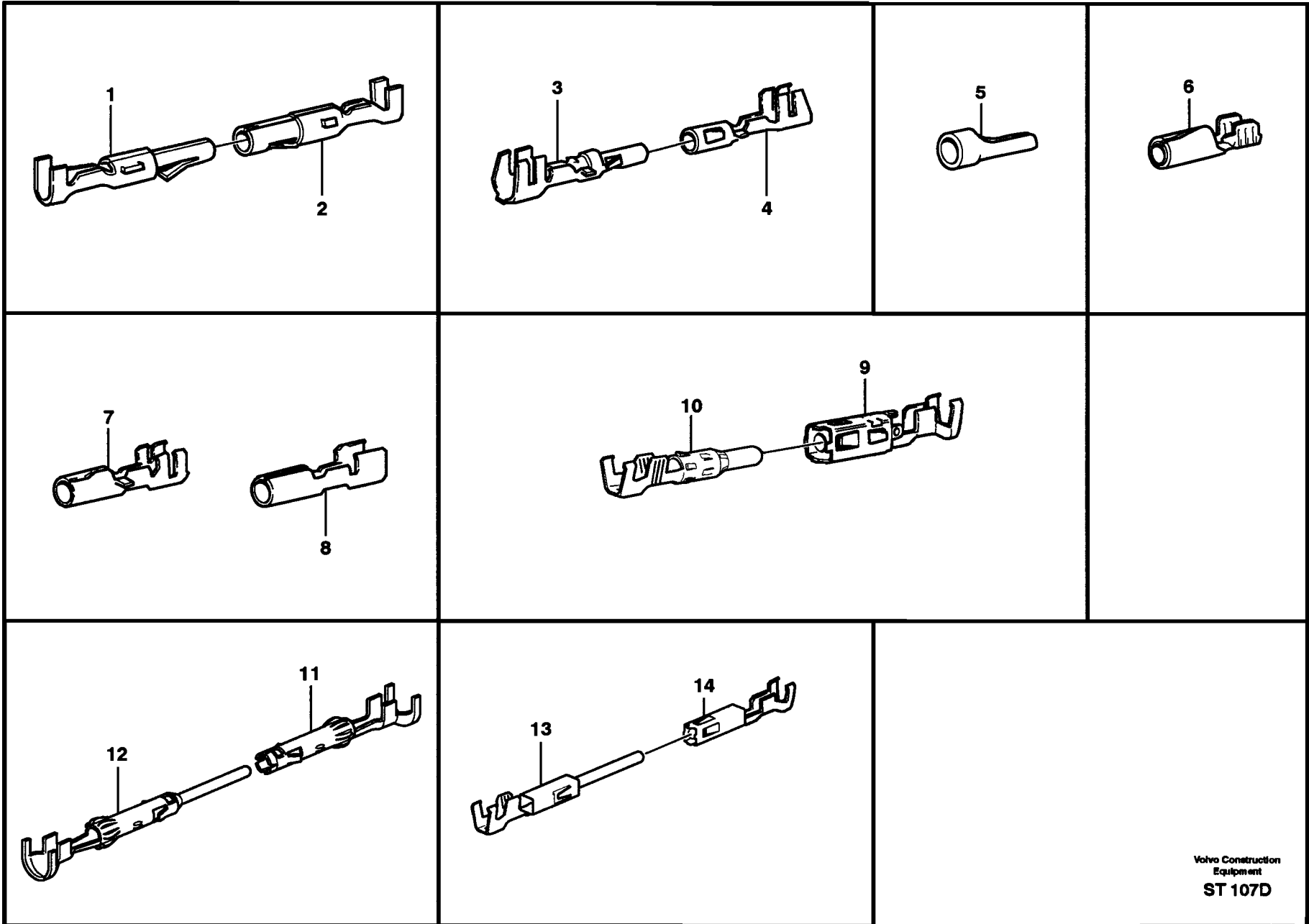
(

| Fig. | Part No. | Quantity | | | P S | K T | Description | Dénomination | Bezeichnung | Denominación | Benämning | Notes |
|------|--------------|----------|---|---|--------|---|-----------------------|-------------------|-------------------------|--------------------|-----------|---------------|
| | | 1 | 2 | 3 | | | | | | | | |
| | | | | | | Pin, socket housing .Fiche, douille isol.....Rundstecker, StecdoAisl. clavija, mangStift, hylsisolator..... | | | | | | |
| | | | | | | •For Cable terminal •Pour Cosse cable •Für Kabelschuh •Para Terminal cable •För Ledningssko | | | | | | 2,1 MM |
| 1 | VOE 944223 | REQ | | | | Insulator | Isolateur | Isolator | Aislador | Isolator..... | | 2-POLE |
| 2 | VOE 944224 | REQ | | | | Insulator | Isolateur | Isolator | Aislador | Isolator..... | | 2-POLE |
| 3 | VOE 944225 | REQ | | | | Insulator | Isolateur | Isolator | Aislador | Isolator..... | | 3-POLE |
| 4 | VOE 13944226 | REQ | | | | Housing | Isolant | Isolator | Aislador | Isolator..... | | 3-POLE |
| 5 | | REQ | | | NS | Insulator | Isolateur | Isolator | Aislador | Isolator..... | | 12-POLE |
| | | | | | | Pin, socket housing .Fiche, douille isol.....Rundstecker, StecdoAisl. clavija, mangStift, hylsisolator..... | | | | | | |
| | | | | | | •For Cable terminal •Pour Cosse cable •Für Kabelschuh •Para Terminal cable •För Ledningssko | | | | | | 3,5 MM |
| 6 | VOE 949583 | REQ | | | | Pin Housing..... | Fiche Isolante..... | Rundstecker | Aislad Clavija..... | Stiftisolator..... | | |
| 7 | VOE 13949584 | REQ | | | | Insulator | Isolateur | Isolator | Aislador | Isolator..... | | |
| 8 | VOE 13948995 | REQ | | | | Pin Housing..... | Fiche Isolante..... | Rundstecker | Aislad Clavija..... | Stiftisolator..... | | 2-POLE |
| 9 | VOE 13948996 | REQ | | | | Insulator | Isolateur | Isolator | Aislador | Isolator..... | | 2-POLE |
| 10 | VOE 13948297 | REQ | | | | Pin Housing..... | Fiche Isolante..... | Rundstecker | Aislad Clavija..... | Stiftisolator..... | | 3-POLE |
| 11 | VOE 948296 | REQ | | | | Insulator | Isolateur | Isolator | Aislador | Isolator..... | | 3-POLE |
| 12 | VOE 948295 | REQ | | | | Pin Housing..... | Fiche Isolante..... | Rundstecker | Aislad Clavija..... | Stiftisolator..... | | 9-POLE |
| 13 | VOE 948294 | REQ | | | | Insulator | Isolateur | Isolator | Aislador | Isolator..... | | 9-POLE |
| 14 | VOE 1307052 | REQ | | | | Rcpt Housing | Douille Isolan. | Steckbuchse..... | Aislador Mangui | Hylsisolator..... | | 4-POLE |
| 15 | | REQ | | | NS | Receptacle housing ... | Douille isolante..... | Steckbuchse..... | Aislador manguito | Hylsisolator..... | | 6-POLE |
| 16 | | REQ | | | NS | Pin housing | Fiche isolante..... | Rundstecker | Aislad clavija | Stiftblock..... | | 6-POLE |

| | | | |
|---|-----------------------------------|----------------|---------|
| 1 | Isolator för rundstift | Catalogue id | Group |
| 2 | Aislador para espiga | 20007 | 379 |
| 3 | Isolator für Stift | Illustr. No | Section |
| 4 | Isolant pour goupille cylindrique | ST106 | 500 |
| 5 | Pin insulator | Issue | Page |
| | | VOE 63D9920007 | 331 |

VOLVO

L90E



(

(

(

(

(

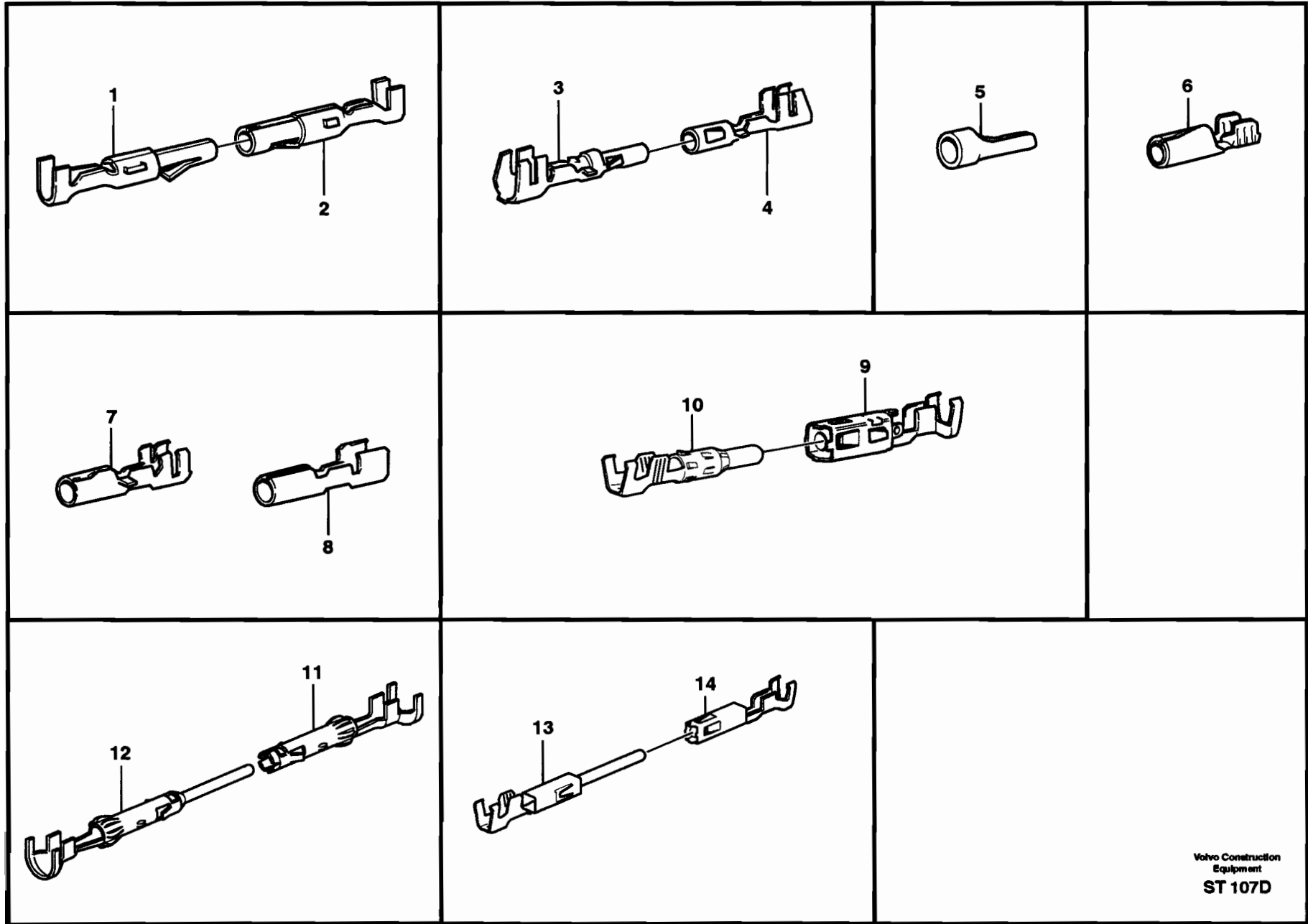
(

(

| Fig. | Part No. | Quantity | | | P S | K I T | Description | Dénomination | Bezeichnung | Denominación | Benämning | Notes |
|------|------------|----------|---|---|--------|-------------|---------------------|-------------------|-----------------------|---------------------|------------------|---|
| | | 1 | 2 | 3 | | | | | | | | |
| 1 | VOE 946040 | REQ | | | | | Cable terminal..... | Cosse cable | Flachsteckhülse | Terminal cable..... | Ledningssko..... | RS 2.1x0.5 - 1.0 SQ MM |
| | VOE 946041 | REQ | | | | | Cable terminal..... | Cosse cable | Flachsteckhülse | Terminal cable..... | Ledningssko..... | RS 2.1x1.0 - 2.5 SQ MM |
| 2 | VOE 946038 | REQ | | | | | Cable terminal..... | Cosse cable | Flachsteckhülse | Terminal cable..... | Ledningssko..... | 2.1x0.5 - 1.0 SQ MM(FB) |
| 3 | VOE 969830 | REQ | | | | | Cable terminal..... | Cosse cable | Flachsteckhülse | Terminal cable..... | Ledningssko..... | (VOE 969828) 3.5x0.5 - 1.0 SQ MM(M) |
| | VOE 969830 | REQ | | | | | Cable terminal..... | Cosse cable | Flachsteckhülse | Terminal cable..... | Ledningssko..... | 3.5x0.5 - 1.0 SQ MM(FB) |
| | VOE 965824 | REQ | | | | | Cable terminal..... | Cosse cable | Flachsteckhülse | Terminal cable..... | Ledningssko..... | (VOE 969831) 3.5x0.5 - 1.0 SQ MM(FB) |
| | VOE 965824 | REQ | | | | | Cable terminal..... | Cosse cable | Flachsteckhülse | Terminal cable..... | Ledningssko..... | (VOE 13968015) 3.5x0.5 - 1.0 SQ MM(FB) |
| | VOE 965824 | REQ | | | | | Cable terminal..... | Cosse cable | Flachsteckhülse | Terminal cable..... | Ledningssko..... | (VOE 968016) 3.5x0.5 - 1.0SQ MM(FB) |
| | VOE 969832 | REQ | | | | | Cable terminal..... | Cosse cable | Flachsteckhülse | Terminal cable..... | Ledningssko..... | 3.5x1.1 - 2.5 SQ MM(FB) |
| | VOE 965824 | REQ | | | | | Cable terminal..... | Cosse cable | Flachsteckhülse | Terminal cable..... | Ledningssko..... | 3.5x1.0 - 2.5 SQ MM(FB) |
| | VOE 965825 | REQ | | | | | Cable terminal..... | Cosse cable | Flachsteckhülse | Terminal cable..... | Ledningssko..... | 3.5x2.5 - 4.0 SQ MM(FB) |
| 4 | VOE 969836 | REQ | | | | | Cable terminal..... | Cosse cable | Flachsteckhülse | Terminal cable..... | Ledningssko..... | (VOE 969834) 3.5x0.5 - 1.0 SQ MM(M) |
| | VOE 969836 | REQ | | | | | Cable terminal..... | Cosse cable | Flachsteckhülse | Terminal cable..... | Ledningssko..... | 3.5x0.5 - 1.0 SQ MM(FB) |
| | VOE 965824 | REQ | | | | | Cable terminal..... | Cosse cable | Flachsteckhülse | Terminal cable..... | Ledningssko..... | (VOE 13968015) 3,5x0,5 - 1,0 SQ MM(FB) |
| | | REQ | | | NS | | Cable terminal..... | Cosse cable | Flachsteckhülse | Terminal cable..... | Ledningssko..... | 3.5x0.5 - 1.0 SQ MM(FB) |
| | VOE 969838 | REQ | | | | | Cable terminal..... | Cosse cable | Flachsteckhülse | Terminal cable..... | Ledningssko..... | 3.5x1.1 - 2.5 SQ MM(FB) |
| | VOE 965822 | REQ | | | | | Cable terminal..... | Cosse cable | Flachsteckhülse | Terminal cable..... | Ledningssko..... | 3.5x1.0 - 2.5 SQ MM(FB) |
| | VOE 965823 | REQ | | | | | Cable terminal..... | Cosse cable | Flachsteckhülse | Terminal cable..... | Ledningssko..... | 3.5x2.5 - 4.0 SQ MM(FB) |

1230) **GB:** Notes: Cable terminal size Ex.: 3.5 x Area (area - Sq Mm). Material-(m) = Brass, material-(fb) = Bronze. **FR:** Notes: Cosse cable grandeur Ex.: 3.5 x section (section - Sq Mm). Matière-(m) = Laiton. Matière-(fb) = Bronze. **DE:** Notes: Kabelschuh Grösse Ex.: 3.5 x Fläche (fläche- Sq Mm). Material-(m) = Messing, material-(fb) = Bronze. **ES:** Notes: Terminal cable tamaño Ex.: 3.5 x área (área - Sq Mm). Material-(m) = Latón, material-(fb) = Bronce. **SE:** Notes: Ledningssko storlek Ex.: 3.5 x Area (area - Sq Mm). Material-(m) = Mässing, material-(fb) = Fosfaterad brons.

| | | | | |
|---|---------|--|-----------------------|------------|
| 1 | 1230) . | Rundstift Espiga Stift Goupille cylindrique Pin | Catalogue id | Group |
| 2 | | | 20007 | 379 |
| 3 | | | Illustr. No | Section |
| 4 | | | ST107D | 600 |
| 5 | | | Issue | Page |
| | | | VOE 63D9920007 | 333 |



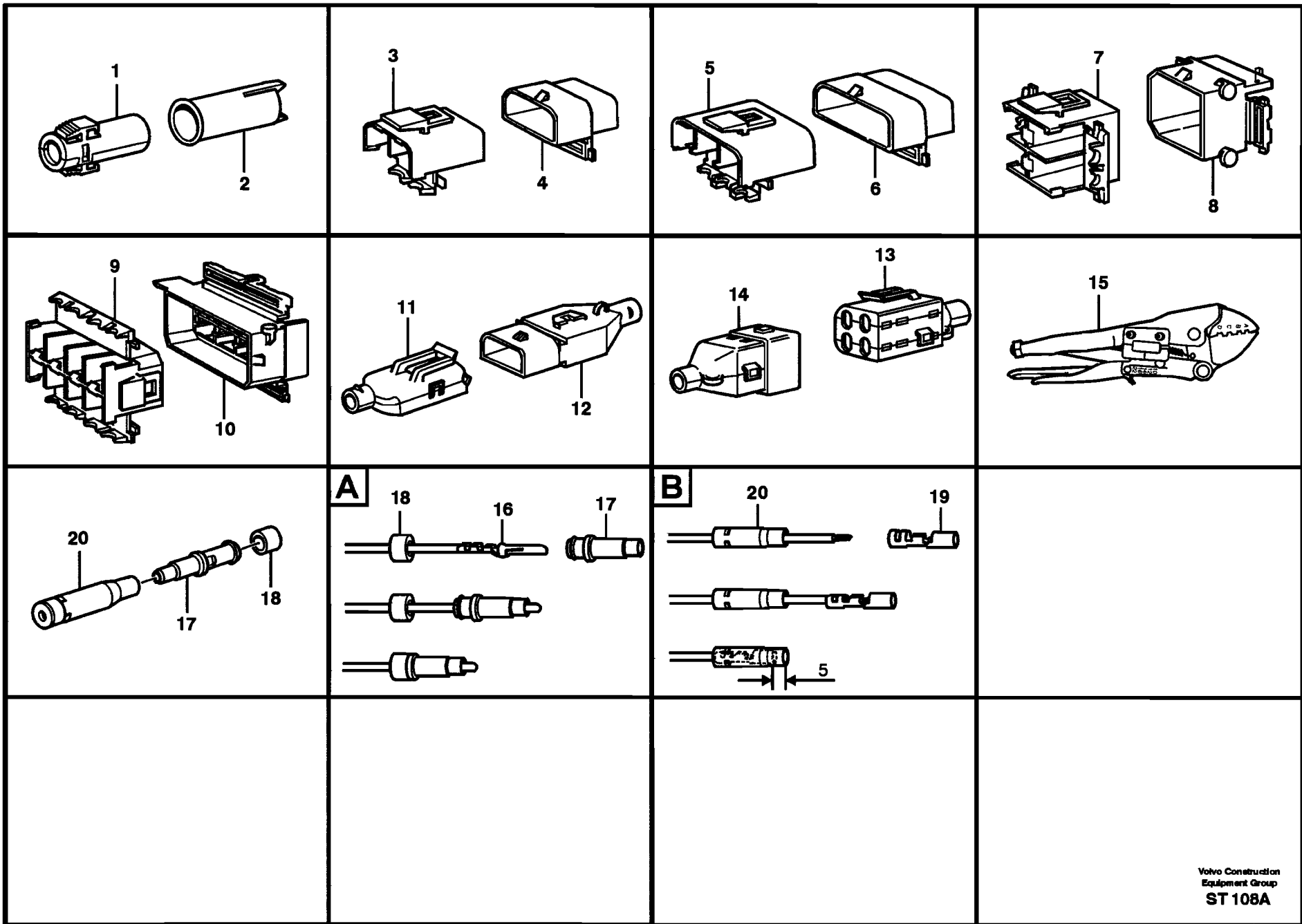
| Fig. | Part No. | Quantity | | | P S | K I T | Description | Dénomination | Bezeichnung | Denominación | Benämning | Notes |
|------|--------------|----------|---|---|--------|-------------|---------------------|-------------------|-----------------------|---------------------|------------------|-------------------------|
| | | 1 | 2 | 3 | | | | | | | | |
| 5 | VOE 970749 | REQ | | | | | Cable terminal..... | Cosse cable | Flachsteckhülse | Terminal cable..... | Ledningssko..... | 0.5 - 1.0 SQ MM |
| | VOE 942429 | REQ | | | | | Cable terminal..... | Cosse cable | Flachsteckhülse | Terminal cable..... | Ledningssko..... | 1.1 - 2.5 SQ MM |
| 6 | VOE 13949003 | REQ | | | | | Cable terminal..... | Cosse cable | Flachsteckhülse | Terminal cable..... | Ledningssko..... | 3.5x0.75 - 1.5 SQ MM |
| 7 | VOE 13949371 | REQ | | | | | Cable terminal..... | Cosse cable | Flachsteckhülse | Terminal cable..... | Ledningssko..... | 3.5x0.5 - 2.0 SQ MM(FB) |
| 8 | VOE 4803799 | REQ | | | | | Cable terminal..... | Cosse cable | Flachsteckhülse | Terminal cable..... | Ledningssko..... | |
| 9 | VOE 8155901 | REQ | | | | | Cable terminal..... | Cosse cable | Flachsteckhülse | Terminal cable..... | Ledningssko..... | 0,5 - 1,5 SQ MM |
| | VOE 8155903 | REQ | | | | | Cable terminal..... | Cosse cable | Flachsteckhülse | Terminal cable..... | Ledningssko..... | 1,5 - 2,5 SQ MM |
| 10 | VOE 3963047 | REQ | | | | | Cable terminal..... | Cosse cable | Flachsteckhülse | Terminal cable..... | Ledningssko..... | 1,5 - 2,5 SQ MM |
| 11 | VOE 11039671 | REQ | | | | | Cable terminal..... | Cosse cable | Flachsteckhülse | Terminal cable..... | Ledningssko..... | 1,0 - 2,5 SQ MM CuNiSi |
| 12 | VOE 11039670 | REQ | | | | | Cable terminal..... | Cosse cable | Flachsteckhülse | Terminal cable..... | Ledningssko..... | 1,0 - 2,5 SQ MM CuNiSi |
| 13 | VOE 3986768 | REQ | | | | | Cable terminal..... | Cosse cable | Flachsteckhülse | Terminal cable..... | Ledningssko..... | 1,5 - 2,5 SQ MM (FB) |
| | VOE 3986251 | REQ | | | | | Cable terminal..... | Cosse cable | Flachsteckhülse | Terminal cable..... | Ledningssko..... | 0,5 - 1,0 SQ MM (FB) |
| 14 | VOE 3986767 | REQ | | | | | Cable terminal..... | Cosse cable | Flachsteckhülse | Terminal cable..... | Ledningssko..... | 1,5 - 2,5 SQ MM (FB) |
| | VOE 3986252 | REQ | | | | | Cable terminal..... | Cosse cable | Flachsteckhülse | Terminal cable..... | Ledningssko..... | 0,5 - 1,0 SQ MM (FB) |

1230) **GB:** Notes: Cable terminal size Ex.: 3.5 x Area (area - Sq Mm). Material-(m) = Brass, material-(fb) = Bronze. **FR:** Notes: Cosse cable grandeur Ex.: 3.5 x section (section - Sq Mm). Matière-(m) = Laiton. Matière-(fb) = Bronze. **DE:** Notes: Kabelschuh Grösse Ex.: 3.5 x Fläche (fläche- Sq Mm). Material-(m) = Messing, material-(fb) = Bronze. **ES:** Notes: Terminal cable tamaño Ex.: 3.5 x área (área - Sq Mm). Material-(m) = Latón, material-(fb) = Bronce. **SE:** Notes: Ledningssko storlek Ex.: 3.5 x Area (area - Sq Mm). Material-(m) = Mässing, material-(fb) = Fosfaterad brons.

| | | | | |
|---|---------|---|----------------|---------|
| 1 | 1230) . | Rundstift Espiga Stift Goupille cylindrique Pin | Catalogue id | Group |
| 2 | | | 20007 | 379 |
| 3 | | | Illustr. No | Section |
| 4 | | | ST107D | 600 |
| 5 | | | Issue | Page |
| | | | VOE 63D9920007 | 335 |

VOLVO

L90E



((((((((

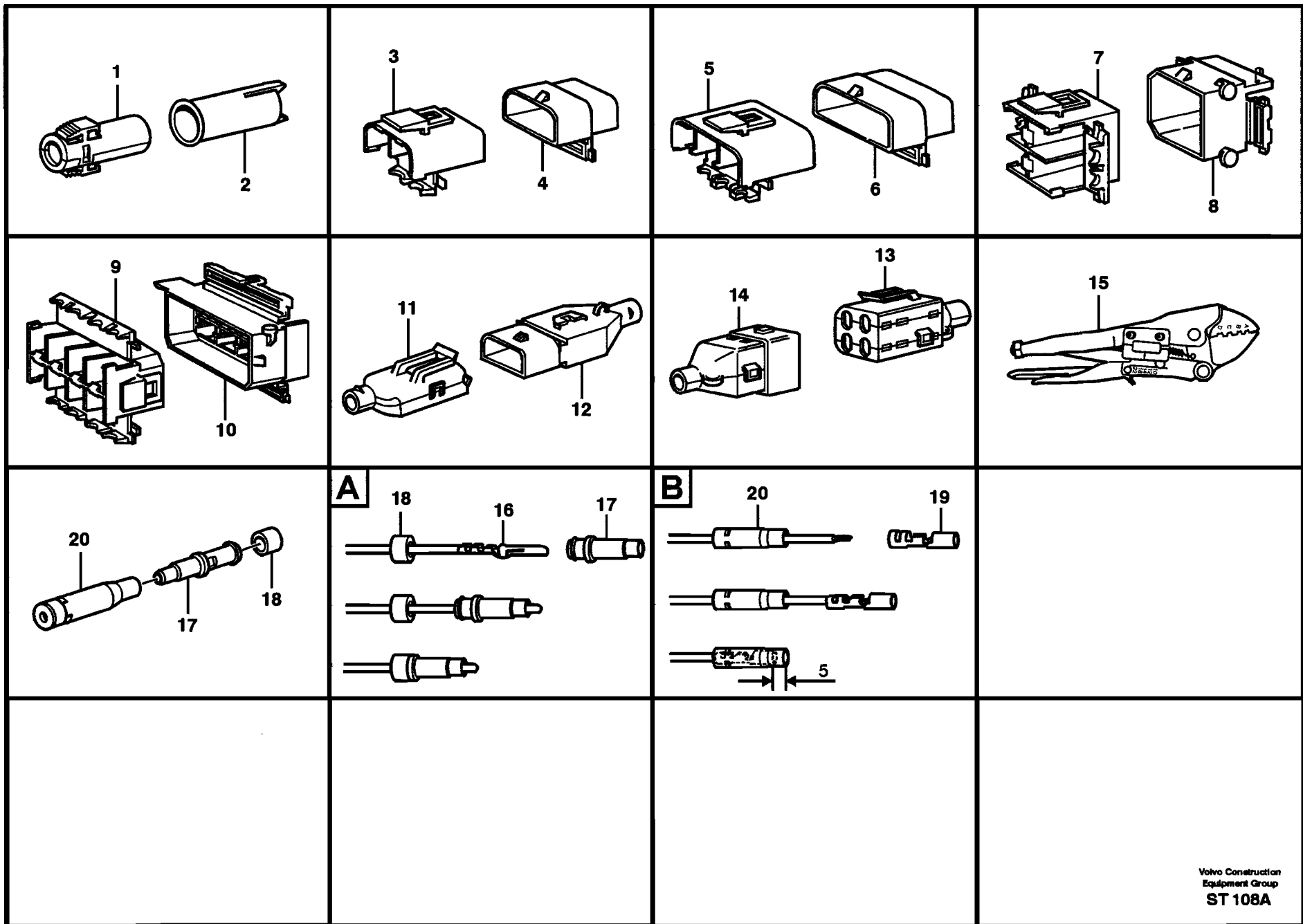
| Fig. | Part No. | Quantity | | | P S | K I T | Description | Dénomination | Bezeichnung | Denominación | Benämning | Notes |
|------|-------------|----------|---|---|--------|-------------|----------------------|-----------------------|-------------------|-----------------------|--------------------|--------------|
| | | 1 | 2 | 3 | | | | | | | | |
| 1 | VOE 1307035 | REQ | | | | | Rcpt Housing | Douille Isolan. | Steckbuchse..... | Aislador Mangui | Hylsisolator..... | 1-POLE |
| 2 | VOE 1308436 | REQ | | | | | Pin Housing..... | Fiche Isolante..... | Rundstecker | Aislad Clavija..... | Stiftisolator..... | 1-POLE |
| 3 | VOE 1307048 | REQ | | | | | Insulator | Isolateur | Isolator | Aislador | Isolator..... | 2-POLE |
| 4 | VOE 1307049 | REQ | | | | | Pin Housing..... | Fiche Isolante..... | Rundstecker | Aislad Clavija..... | Stiftisolator..... | 2-POLE |
| 5 | VOE 1259828 | REQ | | | | | Socket housing | Douille isolante..... | Steckdose | Aislador mangui | Hylsisolator..... | 3-POLE |
| 6 | VOE 1259829 | REQ | | | | | Pin Housing..... | Fiche Isolante..... | Rundstecker | Aislad Clavija..... | Stiftisolator..... | 3-POLE |
| 7 | VOE 1259830 | REQ | | | | | Insulator | Isolateur | Isolator | Aislador | Isolator..... | 4-POLE |
| 8 | VOE 1259831 | REQ | | | | | Pin Housing..... | Fiche Isolante..... | Rundstecker | Aislad Clavija..... | Stiftisolator..... | 4-POLE |
| 9 | VOE 966812 | REQ | | | | | Insulator | Isolateur | Isolator | Aislador | Isolator..... | 8-POLE |
| 10 | VOE 966813 | REQ | | | SS | | Insulator | Isolateur | Isolator | Aislador | Isolator..... | 8-POLE |
| 11 | VOE 1624477 | REQ | | | | | Rcpt Housing | Douille Isolan. | Steckbuchse..... | Aislador Mangui | Hylsisolator..... | 2-POLE |
| 12 | VOE 8143240 | REQ | | | | | Insulator | Isolateur | Isolator | Aislador | Isolator..... | 2-POLE |
| 13 | VOE 8142001 | REQ | | | | | Rcpt Housing | Douille Isolan. | Steckbuchse..... | Aislador Mangui | Hylsisolator..... | 4-POLE |
| 14 | | REQ | | | NS | | Pin housing | Fiche isolante..... | Rundstecker | Aislad clavija | Stiftblock..... | 4-POLE |
| 15 | VOE 9999323 | 1 | | | | | Pliers | Pince | Zange | Alicates..... | Tång..... | SERVICE TOOL |

1248) **GB: service Solution Parts:**ex. Humidity-proof connections for pin and socket terminal. Use service tool 999 9323. **FR: Pièces solutions entretien:**ex. connexions étanches à l'humidité pour broches et douilles. Utiliser l'outil 999 9323.<-> **DE: Serviceteile:**z.B. feuchtigkeitssichere Anschlüsse für Stecker und Steckdosen. Servicewerkzeug 999 9323 verwenden. **ES: Artículos para soluciones de servicio:**por ejemplo, conexiones a prueba de humedad para terminal de clavija y zócalo. Utilizar la herramienta de servicio 999 9323. **SE: servicelösning Parts:**ex. Fuktskyddade kontaktstycken för stift och hylsanslutningar. Använd serviceverktyg 999 9323.

| | | | | |
|---|--|---|-----------------------|------------|
| 1 | | Fukttåta kontaktdon Contacto, seguro contra húmedo Kontakt, feuchtigkeitssicher Contact sûr contre humidifier Humidity-proof connections 1248) | Catalogue id | Group |
| 2 | | | 20007 | 379 |
| 3 | | | Illustr. No | Section |
| 4 | | | ST108A | 700 |
| 5 | | | Issue | Page |
| | | | VOE 63D9920007 | 337 |

VOLVO

L90E

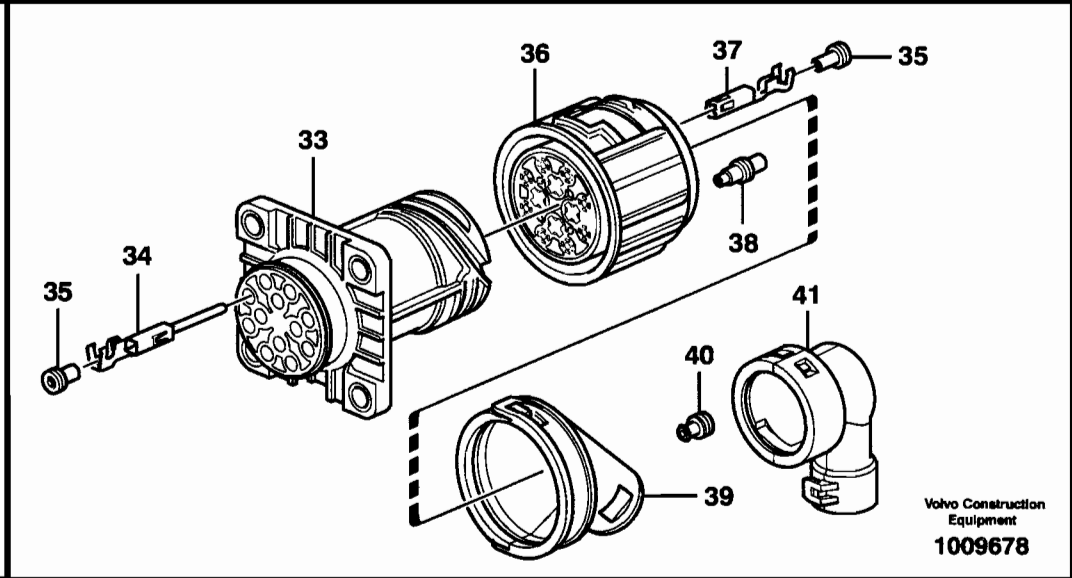
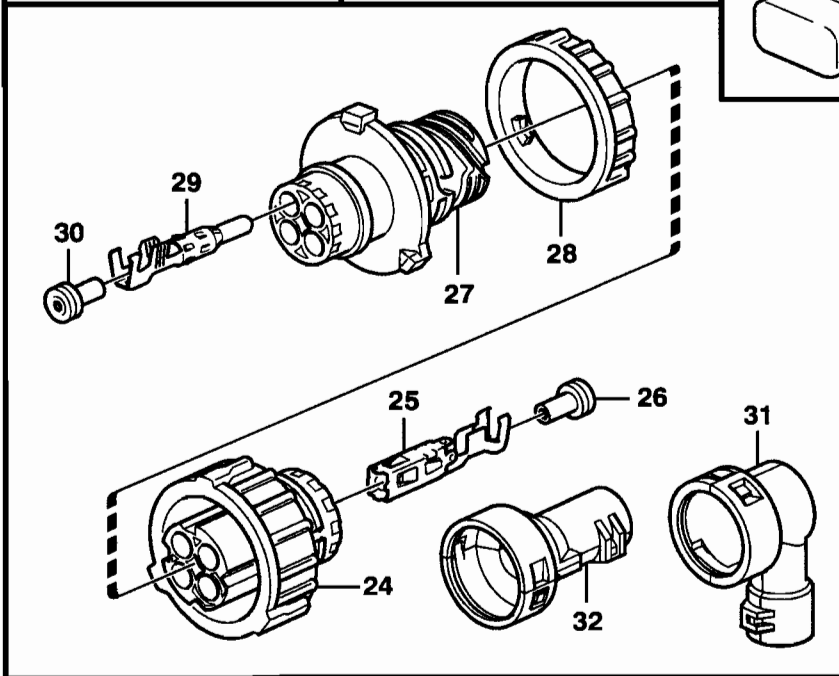
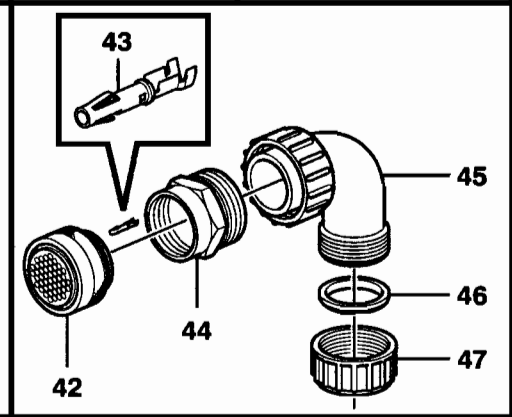
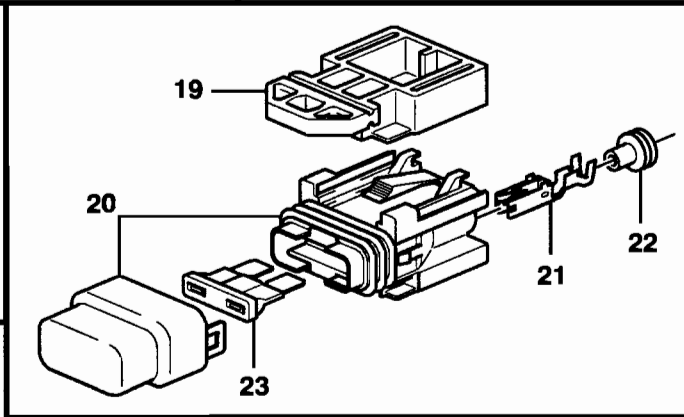
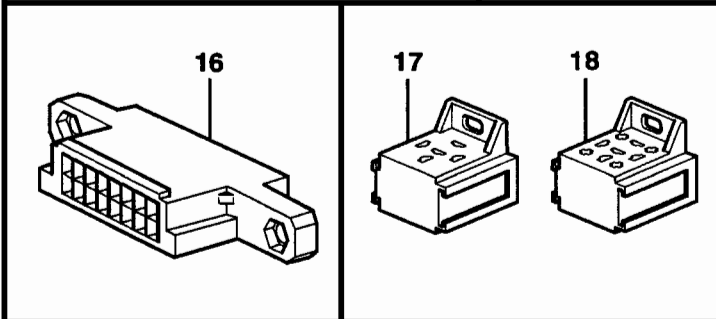
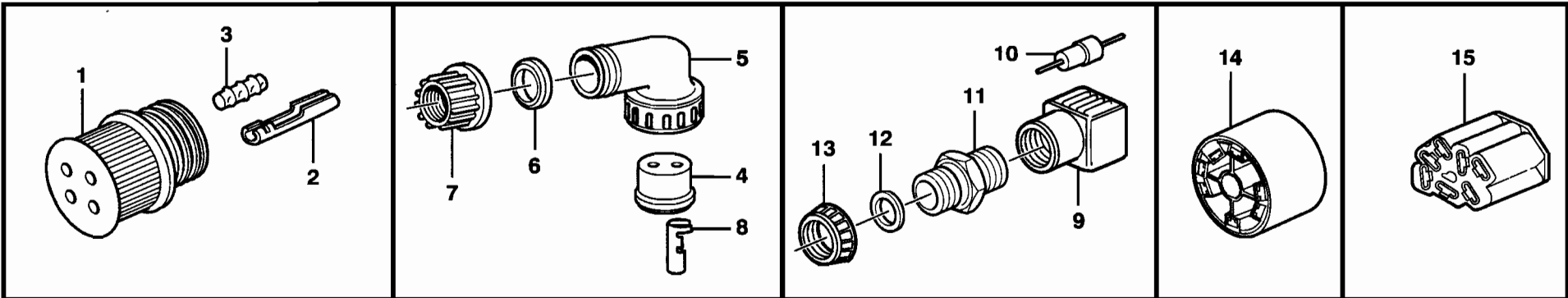


| Fig. | Part No. | Quantity | | | P S | K I T | Description | Dénomination | Bezeichnung | Denominación | Benämning | Notes |
|----------|-------------|----------|---|---|--------|-------------|--|--|---|---|--|--|
| | | 1 | 2 | 3 | | | | | | | | |
| A | | | | | | | | | | | | |
| 16 | VOE 965824 | REQ | | | | | Pin housing Cable terminal..... | Fiche isolante Cosse cable | Rundstecker Flachsteckhülse | Aislad clavija Terminal cable..... | Stiftisolator Ledningssko..... | 1230) (VOE 968016) 3.5x0.5 - 1.0 SQ MM(FB) |
| | VOE 965824 | REQ | | | | | Cable terminal..... | Cosse cable | Flachsteckhülse | Terminal cable..... | Ledningssko..... | 3.5x1.1 - 2.5 SQ MM(FB) |
| | VOE 965825 | REQ | | | | | Cable terminal..... | Cosse cable | Flachsteckhülse | Terminal cable..... | Ledningssko..... | 3.5x2.5 - 4.0 SQ MM(FB) |
| 17 | VOE 1608765 | REQ | | | | | Pin Housing..... | Fiche Isolante..... | Rundstecker | Aislad Clavija..... | Stiftisolator..... | |
| 18 | VOE 1608766 | REQ | | | | | Seal..... | Joint | Dichtung | Reten..... | Tätning..... | |
| B | | | | | | | | | | | | |
| 19 | | REQ | | | NS | | Receptacle Housing Cable terminal..... | Douille Isolante Cosse cable | Steckbuchse Flachsteckhülse | Aislador Manguito Terminal cable..... | Hylisolator Ledningssko..... | 1230) 3.5x0.5 - 1.0 SQ MM(FB) |
| | VOE 965822 | REQ | | | | | Cable terminal..... | Cosse cable | Flachsteckhülse | Terminal cable..... | Ledningssko..... | 3.5x1.1 - 2.5 SQ MM(FB) |
| | VOE 965823 | REQ | | | | | Cable terminal..... | Cosse cable | Flachsteckhülse | Terminal cable..... | Ledningssko..... | 3.5x2.5 - 4.0 SQ MM(FB) |
| 20 | VOE 1598753 | REQ | | | | | Insulation..... | Isolant | Isolierung..... | Aislante | Isolering..... | |

1230) **GB:** Notes: Cable terminal size Ex.: 3.5 x Area (area - Sq Mm). Material-(m) = Brass, material-(fb) = Bronze. **FR:** Notes: Cosse cable grandeur Ex.: 3.5 x section (section - Sq Mm). Matière-(m) = Laiton. Matière-(fb) = Bronze. **DE:** Notes: Kabelschuh Grösse Ex.: 3.5 x Fläche (fläche- Sq Mm). Material-(m) = Messing, material-(fb) = Bronze. **ES:** Notes: Terminal cable tamaño Ex.: 3.5 x área (área - Sq Mm). Material-(m) = Latón, material-(fb) = Bronce. **SE:** Notes: Ledningssko storlek Ex.: 3.5 x Area (area - Sq Mm). Material-(m) = Mässing, material-(fb) = Fosfaterad brons.

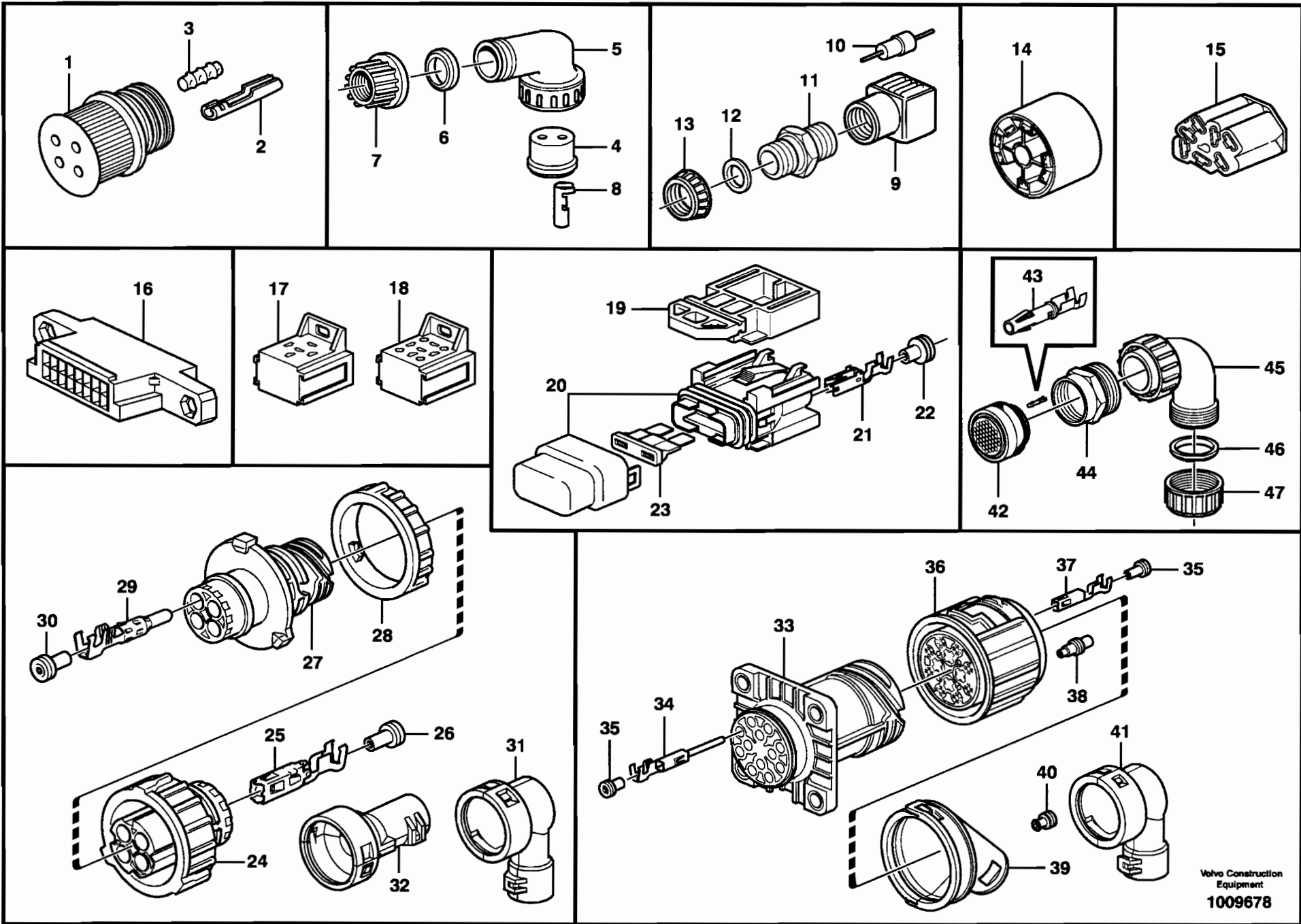
1248) **GB: service Solution Parts:**ex. Humidity-proof connections for pin and socket terminal. Use service tool 999 9323. **FR: Pièces solutions entretien:**ex. connexions étanches à l'humidité pour broches et douilles. Utiliser l'outil 999 9323.<> **DE: Serviceteile:**z.B. feuchtigkeitssichere Anschlüsse für Stecker und Steckdosen. Servicewerkzeug 999 9323 verwenden. **ES: Artículos para soluciones de servicio:**por ejemplo, conexiones a prueba de humedad para terminal de clavija y zócalo. Utilizar la herramienta de servicio 999 9323. **SE: servicelösning Parts:**ex. Fuktskyddade kontaktstycken för stift och hylsanslutningar. Använd serviceverktyg 999 9323.

| | | | | |
|---|--|---|-----------------------|------------|
| 1 | | Fukttåta kontaktdon Contacto, seguro contra húmedo Kontakt, feuchtigkeitssicher Contact sûr contre humidifier Humidity-proof connections 1248) | Catalogue id | Group |
| 2 | | | 20007 | 379 |
| 3 | | | Illustr. No | Section |
| 4 | | | ST108A | 700 |
| 5 | | | Issue | Page |
| | | | VOE 63D9920007 | 339 |



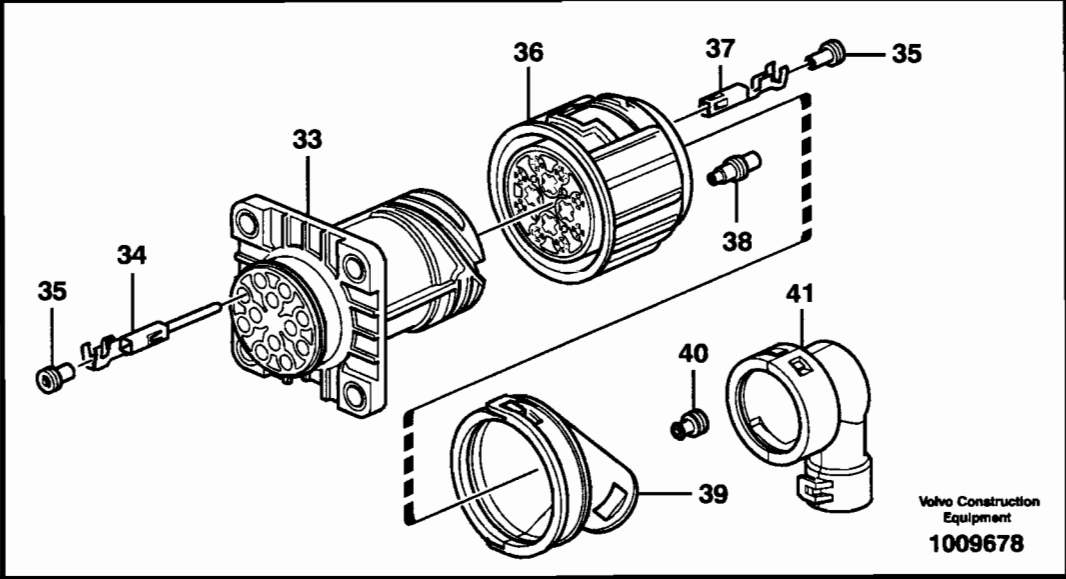
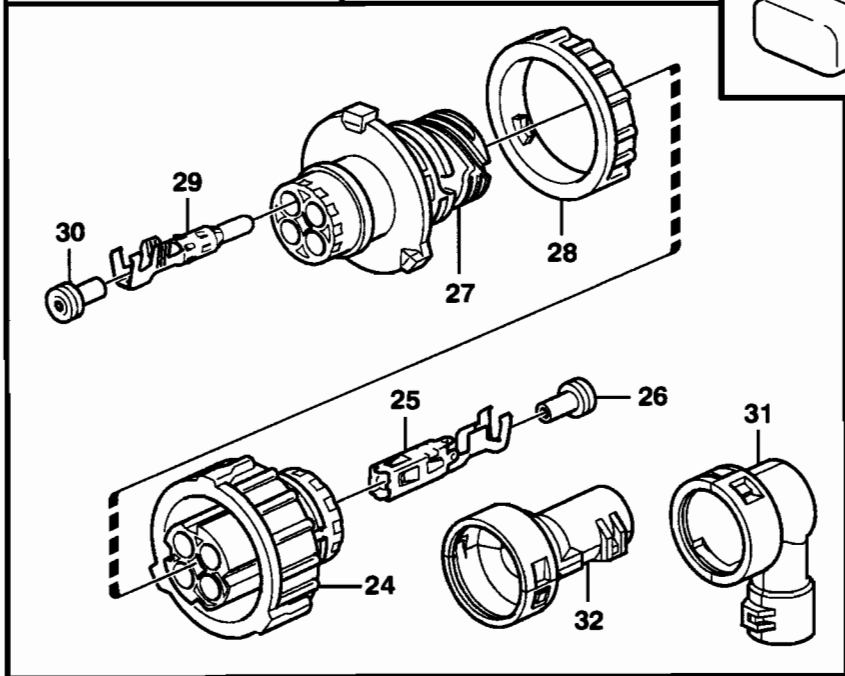
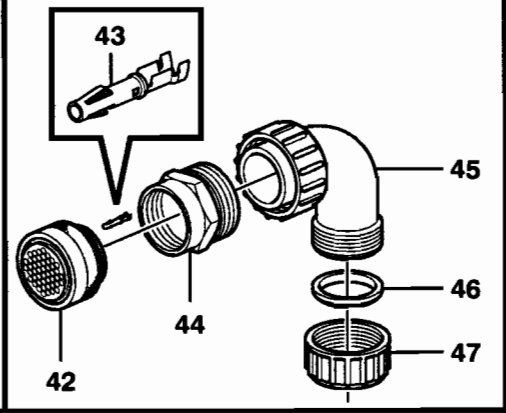
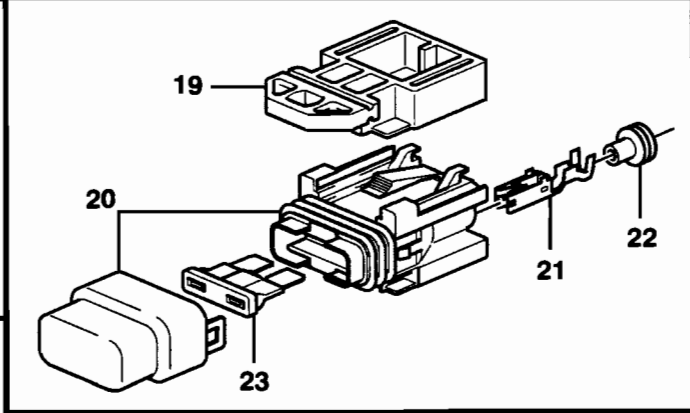
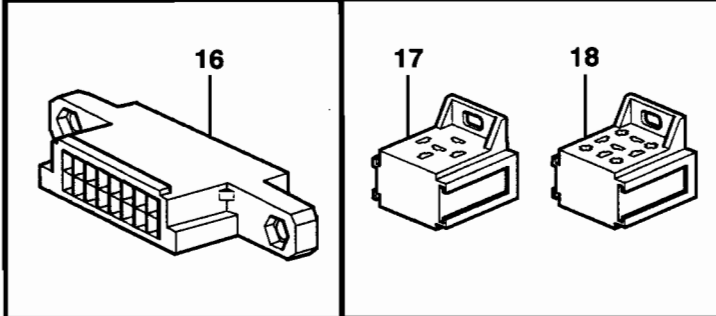
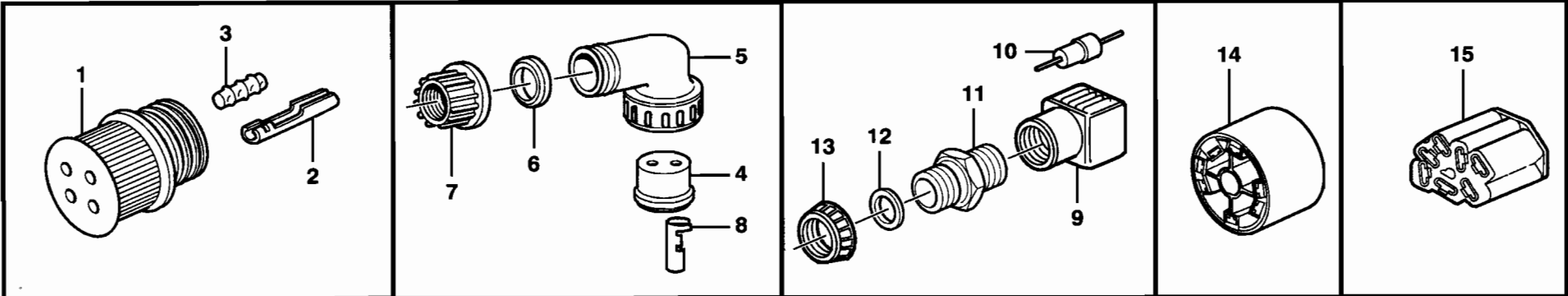
| Fig. | Part No. | Quantity | | | P S | K I T | Description | Dénomination | Bezeichnung | Denominación | Benämning | Notes |
|------|--------------|----------|---|---|--------|----------------|--------------------|------------------|-----------------|-----------------|-------------------------|-------|
| | | 1 | 2 | 3 | | | | | | | | |
| 1 | VOE 949005 | REQ | | | | Rcpt Housing | Douille Isolan | Steckbuchse | Aislador Mangui | Hylsisolator | | |
| 2 | VOE 13949371 | REQ | | | | Cable terminal | Cosse cable | Flachsteckhülse | Terminal cable | Ledningssko | 3.5x0.5 - 2.0 SQ MM(FB) | |
| 3 | VOE 11000257 | REQ | | | | Plug | Bouchon | Stopfen | Tapon | Plugg | | |
| 4 | VOE 4803790 | REQ | | | | Rubber Plug | Bouchon Caoutc. | Gummistöpsel | Tapon Goma | Gummipropp | | |
| 5 | VOE 4803791 | REQ | | | | Elbow Union | Coude Raccord | Winkelverschrbg | Union Angular | Vinkelförskruv | | |
| 6 | VOE 4803792 | REQ | | | | Sealing ring | Bague d'étanchéité | Runddichtring | Anillo reten | Tättningsring | | |
| | VOE 11039262 | REQ | | | | Sealing ring | Bague d'étanchéité | Runddichtring | Anillo reten | Tättningsring | ALT. | |
| 7 | VOE 4803794 | REQ | | | | Nut | Ecrou | Mutter | Tuerca | Mutter | | |
| 8 | VOE 4803799 | REQ | | | | Cable terminal | Cosse cable | Flachsteckhülse | Terminal cable | Ledningssko | 4MM (FB) | |
| 9 | VOE 6646637 | REQ | | | | Switch Housing | Boitier Contact | Kontaktgehäuse | Caja Contacto | Kontaktthus | | |
| 10 | VOE 4803274 | REQ | | | | Diode | Diode | Diode | Diodo | Diod | | |
| 11 | | REQ | | | NS | Hose coupling | Raccor flexible | Schlauchkupplg | Acoplam manguer | Slangkoppling | | |
| 12 | VOE 11039262 | REQ | | | | Sealing ring | Bague d'étanchéité | Runddichtring | Anillo reten | Tättningsring | | |
| 13 | VOE 4803794 | REQ | | | | Nut | Ecrou | Mutter | Tuerca | Mutter | | |
| 14 | VOE 1605668 | REQ | | | | Rcpt Housing | Douille Isolan | Steckbuchse | Aislador Mangui | Hylsisolator | 7-POLE | |
| 15 | VOE 1307600 | REQ | | | | Insulator | Isolateur | Isolator | Aislador | Isolator | 7-POLE | |
| 16 | VOE 11039685 | REQ | | | | Insulator | Isolateur | Isolator | Aislador | Isolator | 16-POLE | |
| 17 | VOE 13946556 | REQ | | | | Relay Socket | Socle Relais | Relaissockel | Zocalo Rele | Reläsocket | 6,3x5 | |
| 18 | VOE 977184 | REQ | | | | Insulator | Isolateur | Isolator | Aislador | Isolator | 6,3x5 + 4,8/2,8x4 | |
| 19 | VOE 11039713 | REQ | | | | Bracket | Console | Konsole | Consola | Konsol | | |
| 20 | VOE 11039714 | REQ | | | | Fuse Holder | Porte fusible | Sicherungshalter | Porta-fusible | Säkringshållare | | |
| 21 | VOE 11039715 | REQ | | | | Cable terminal | Cosse cable | Flachsteckhülse | Terminal cable | Ledningssko | | |
| 22 | VOE 873854 | REQ | | | | Sealing Sleeve | Douille Etanche | Dichthülse | Manguito Reten | Tättningshylsa | ID 2,3MM (AMP) | |
| 23 | VOE 13969160 | REQ | | | | Fuse | Fusible | Schmelzsicherung | Fusible | Smältsäkring | (VOE 967851) 5A | |

| | | | |
|---|---|-----------------------|------------|
| 1 | Kopplingsdon Conexión de distribución Schaltvorrichtung Appareil de débrayage Connectors | Catalogue id | Group |
| 2 | | 20007 | 379 |
| 3 | | Illustr. No | Section |
| 4 | | 1009678 | 800 |
| 5 | | Issue | Page |
| | | VOE 63D9920007 | 341 |



| Fig. | Part No. | Quantity | | | P S | K I T | Description | Dénomination | Bezeichnung | Denominación | Benämning | Notes |
|------|-------------|----------|---|---|--------|------------------------|------------------------|-----------------------|-------------------------|----------------------|--------------------------|-------|
| | | 1 | 2 | 3 | | | | | | | | |
| 24 | VOE 8159013 | REQ | | | | Insulator | Isolateur | Isolator | Aislador | Isolator..... | 4-POLE | |
| | VOE 3963412 | REQ | | | | Rcpt Housing | Douille Isolan. | Steckbuchse..... | Aislador Mangui | Hyllisolator..... | 7-POLE | |
| 25 | | REQ | | | | Cable terminal..... | Cosse cable | Kabelschuh | Terminal cable..... | Kabelsko..... | | |
| 26 | VOE 8159012 | REQ | | | | Seal..... | Joint | Dichtung | Reten..... | Tätning..... | ID 1,9 - 3,0MM (GHW) | |
| 27 | VOE 3944972 | REQ | | | | Insulator | Isolateur | Isolator | Aislador | Isolator..... | 4-POLE | |
| | VOE 3963411 | REQ | | | | Pin Housing..... | Fiche Isolante..... | Rundstecker | Aislad Clavija..... | Stiftisolator..... | 7-POLE | |
| 28 | VOE 3963413 | REQ | | | | Lock Ring | Anneau Verrouillage .. | Schlossring..... | Anillo Segurid | Låsring..... | | |
| 29 | VOE 3963047 | REQ | | | | Cable terminal..... | Cosse cable | Flachsteckhülse | Terminal cable..... | Ledningssko..... | | |
| 30 | VOE 3986691 | REQ | | | | Seal..... | Joint | Dichtung | Reten..... | Tätning..... | ID 1,1 - 2,5 SQ MM (AMP) | |
| | VOE 970771 | REQ | | | | Cable Seal | Joint d'étanchéité pou | Leitungsdicht. | Sellador Cable..... | Ledningstätning..... | DUMMY SEAL | |
| 31 | VOE 8159019 | REQ | | | | Adapter | Raccord Reduct. | Verbind Stutzen..... | Adaptador..... | Adapter..... | UPPER | |
| | VOE 8159020 | REQ | | | | Adapter | Raccord Reduct. | Verbind Stutzen..... | Adaptador..... | Adapter..... | LOW | |
| 32 | VOE 3985597 | REQ | | | | Guard..... | Protection | Schutz | Protección | Skydd..... | NW10 | |
| 33 | VOE 3944541 | | | | | Insulator | Isolateur | Isolator | Aislador | Isolator..... | 12-POLE | |
| 34 | VOE 3986768 | | | | | Cable terminal..... | Cosse cable | Flachsteckhülse | Terminal cable..... | Ledningssko..... | | |
| | VOE 3986251 | | | | | Cable terminal..... | Cosse cable | Flachsteckhülse | Terminal cable..... | Ledningssko..... | | |
| 35 | VOE 3944654 | | | | | Seal..... | Joint | Dichtung | Reten..... | Tätning..... | ID 1,2 - 2,1 SQ MM | |
| | VOE 3944655 | | | | | Seal..... | Joint | Dichtung | Reten..... | Tätning..... | ID 1,9 - 3,0 SQ MM | |
| 36 | VOE 3944540 | | | | | Housing..... | Carter | Gehäuse..... | Carter | Hus..... | 12-POLE | |
| 37 | VOE 3986767 | | | | | Cable terminal..... | Cosse cable | Flachsteckhülse | Terminal cable..... | Ledningssko..... | | |
| | VOE 3986252 | | | | | Cable terminal..... | Cosse cable | Flachsteckhülse | Terminal cable..... | Ledningssko..... | | |
| 38 | VOE 8155899 | | | | | Plug..... | Bouchon..... | Stopfen..... | Tapon | Plugg..... | | |
| 39 | VOE 3944543 | | | | | Adapter | Raccord Reduct. | Verbind Stutzen..... | Adaptador..... | Adapter..... | | |
| 40 | VOE 3963410 | | | | | Seal..... | Joint | Dichtung | Reten..... | Tätning..... | ID 0,75 SQ MM | |
| 41 | VOE 3985598 | | | | | Guard..... | Protection | Schutz | Protección | Skydd..... | | |
| 42 | | 1 | | | NS | Receptacle housing ... | Douille isolante..... | Steckbuchse..... | Aislador manguito | Hyllisolator..... | 48 -POLE | |
| 43 | | REQ | | | NS | Cable terminal..... | Cosse cable | Flachsteckhülse | Terminal cable..... | Ledningssko..... | | |
| 44 | | 1 | | | NS | Adapter | Raccord Reduct. | Verbind Stutzen..... | Adaptador..... | Adapter..... | M42x2 SIZE 24 | |

| | | | | |
|---|--|---|-----------------------|------------|
| 1 | | Kopplingsdon Conexión de distribución Schaltvorrichtung Appareil de débrayage Connectors | Catalogue id | Group |
| 2 | | | 20007 | 379 |
| 3 | | | Illustr. No | Section |
| 4 | | | 1009678 | 800 |
| 5 | | | Issue | Page |
| | | | VOE 63D9920007 | 343 |

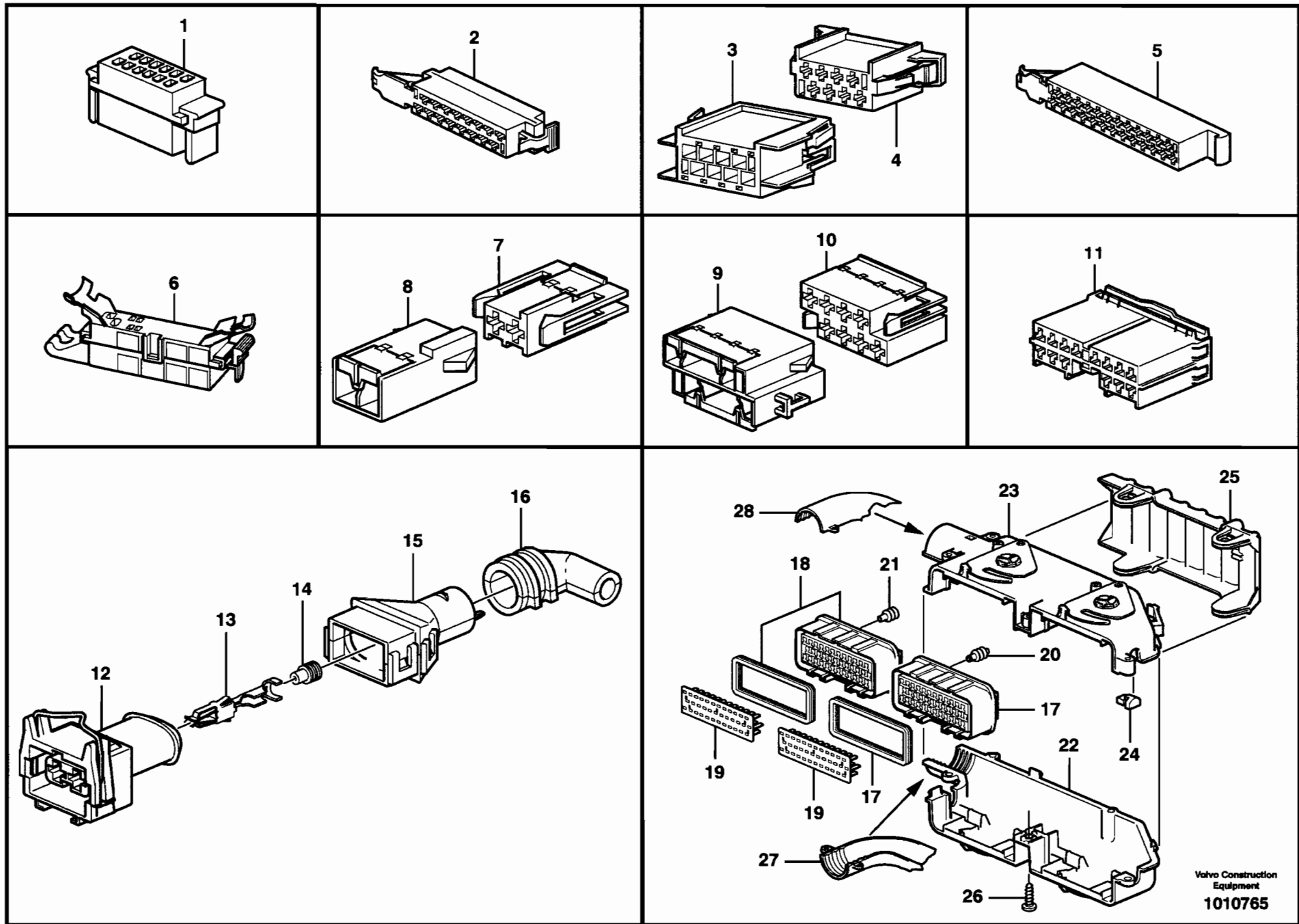


| Fig. | Part No. | Quantity | | | P S | K I T | Description | Dénomination | Bezeichnung | Denominación | Benämning | Notes |
|------|----------|----------|---|---|--------|--------------------|--------------------------|---------------------|---------------------|---------------------|---------------|-------|
| | | 1 | 2 | 3 | | | | | | | | |
| 45 | | 1 | | | NS | L-connection | Racco.angulaire | Winkelankupplg..... | Conexion Angul..... | Vinkelkoppling..... | | |
| 46 | | 1 | | | NS | Sealing ring | Bague d'étanchéité | Runddichtring..... | Anillo reten | Tätningring..... | | |
| 47 | | 1 | | | NS | Nut | Ecrou..... | Mutter..... | Tuerca..... | Mutter..... | NW22 M35x1,75 | |

| | | | |
|---|---|-----------------------|------------|
| 1 | Kopplingsdon Conexión de distribución Schaltvorrichtung Appareil de débrayage Connectors | Catalogue id | Group |
| 2 | | 20007 | 379 |
| 3 | | Illustr. No | Section |
| 4 | | 1009678 | 800 |
| 5 | | Issue | Page |
| | | VOE 63D9920007 | 345 |

VOLVO

L90E

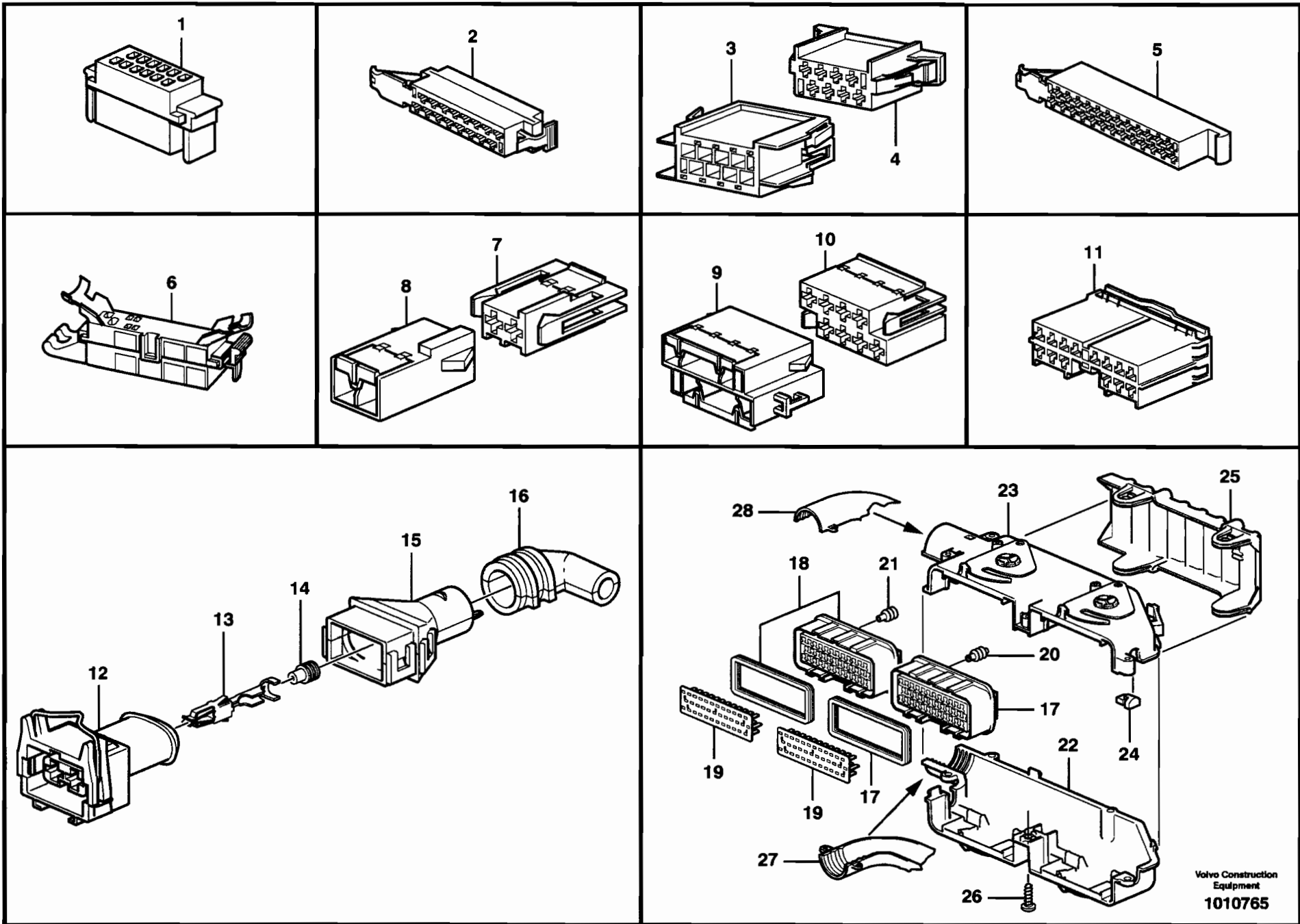


| Fig. | Part No. | Quantity | | | P S | K I T | Description | Dénomination | Bezeichnung | Denominación | Benämning | Notes |
|------|--------------|----------|---|---|--------|------------------------|------------------------|-----------------------|-------------------------|----------------------|-----------------------|-------|
| | | 1 | 2 | 3 | | | | | | | | |
| | | | | | | Housing | Isolant | Isolator | Aislador | Isolator | Type "Timer" | |
| 1 | VOE 11039330 | REQ | | | | Rcpt Housing | Douille Isolan. | Steckbuchse..... | Aislador Mangui | Hylsisolator..... | 12-POLE | |
| 2 | VOE 969138 | REQ | | | | Insulator | Isolateur | Isolator | Aislador | Isolator..... | 16-POLE | |
| 3 | VOE 1096618 | REQ | | | | Rcpt Housing | Douille Isolan. | Steckbuchse..... | Aislador Mangui | Hylsisolator..... | 8-POLE | |
| | VOE 1096619 | REQ | | | | Insulator | Isolateur | Isolator | Aislador | Isolator..... | 16-POLE | |
| 4 | VOE 1096614 | REQ | | | | Insulator | Isolateur | Isolator | Aislador | Isolator..... | 8-POLE | |
| | VOE 1096615 | REQ | | | | Insulator | Isolateur | Isolator | Aislador | Isolator..... | 16-POLE | |
| 5 | VOE 1598662 | REQ | | | | Rcpt Housing | Douille Isolan. | Steckbuchse..... | Aislador Mangui | Hylsisolator..... | 25-POLE | |
| 6 | VOE 11039443 | REQ | | | | Insulator | Isolateur | Isolator | Aislador | Isolator..... | 39-POLE | |
| 7 | | REQ | | | NS | Receptacle housing ... | Douille isolante..... | Steckbuchse..... | Aislador manguito | Hylsisolator..... | 2-POLE Timer 4,8/2,8 | |
| 8 | VOE 968381 | REQ | | | | Insulator | Isolateur | Isolator | Aislador | Isolator..... | 2-POLE Timer 2,8 | |
| 9 | | REQ | | | NS | Housing | Carter | Gehäuse..... | Carter | Hus..... | 4-POLE Timer 2,8 | |
| | VOE 968405 | REQ | | | | Insulator | Isolateur | Isolator | Aislador | Isolator..... | 8-POLE Timer 2,8 | |
| 10 | VOE 968388 | REQ | | | | Insulator | Isolateur | Isolator | Aislador | Isolator..... | 4-POLE Timer 4,8/2,8 | |
| | | REQ | | | NS | Receptacle housing ... | Douille isolante..... | Steckbuchse..... | Aislador manguito | Hylsisolator..... | 8-POLE Timer 4,8/2,8 | |
| | | REQ | | | NS | Receptacle housing ... | Douille isolante..... | Steckbuchse..... | Aislador manguito | Hylsisolator..... | 10-POLE Timer 4,8/2,8 | |
| 11 | VOE 9130224 | REQ | | | | Insulator | Isolateur | Isolator | Aislador | Isolator..... | SDL Type. 14-POLE | |
| | VOE 9130220 | REQ | | | | Rcpt Housing | Douille Isolan. | Steckbuchse..... | Aislador Mangui | Hylsisolator..... | SDL Type. 10-POLE | |
| 12 | VOE 979040 | REQ | | | | Insulator | Isolateur | Isolator | Aislador | Isolator..... | 2-POLE Timer 2,8 | |
| 13 | VOE 13970778 | REQ | | | | Cable terminal..... | Cosse cable | Flachsteckhülse | Terminal cable..... | Ledningssko..... | | |
| 14 | VOE 970772 | REQ | | | | Cable Seal | Joint d'étanchéité pou | Leitungsdicht. | Sellador Cable..... | Ledningstätning..... | 1,2 - 2,1 x BLUE | |
| 15 | VOE 8142100 | REQ | | | | Adapter | Raccord Reduct. | Verbind Stutzen..... | Adaptador..... | Adapter..... | | |
| 16 | VOE 1095059 | REQ | | | | Joint Nipple | Raccord..... | Verbind Nippel..... | Niple Union..... | Skarvnippel..... | | |
| 17 | | 1 | | | NS | Insulator | Isolateur | Isolator | Aislador | Isolator..... | | |
| | | 1 | | | NS | •Seal | •Joint | •Dichtung..... | •Reten | •Tätning..... | | |
| 18 | | 1 | | | NS | Insulator | Isolateur | Isolator | Aislador | Isolator..... | | |
| | | 1 | | | NS | •Seal | •Joint | •Dichtung..... | •Reten | •Tätning..... | | |
| 19 | VOE 977533 | 2 | | | | Hsg Retainer | Support Isolate..... | Isolatorhalter | Porta-aislador | Isolatorhållare..... | | |
| 20 | | 37 | | | NS | Cable Seal | Joint d'étanchéité pou | Leitungsdicht. | Sellador Cable..... | Ledningstätning..... | | |

| | | | | |
|---|--|--|-----------------------|------------|
| 1 | | Isolatorer för timer och flatstift. Aislador para timer y clavija plana. Isolator für timer und Flachstecker. Isolant pour timer et fiche plate. Housings for timers and tabs | Catalogue id | Group |
| 2 | | | 20007 | 379 |
| 3 | | | Illustr. No | Section |
| 4 | | | 1010765 | 900 |
| 5 | | | Issue | Page |
| | | | VOE 63D9920007 | 347 |

VOLVO

L90E

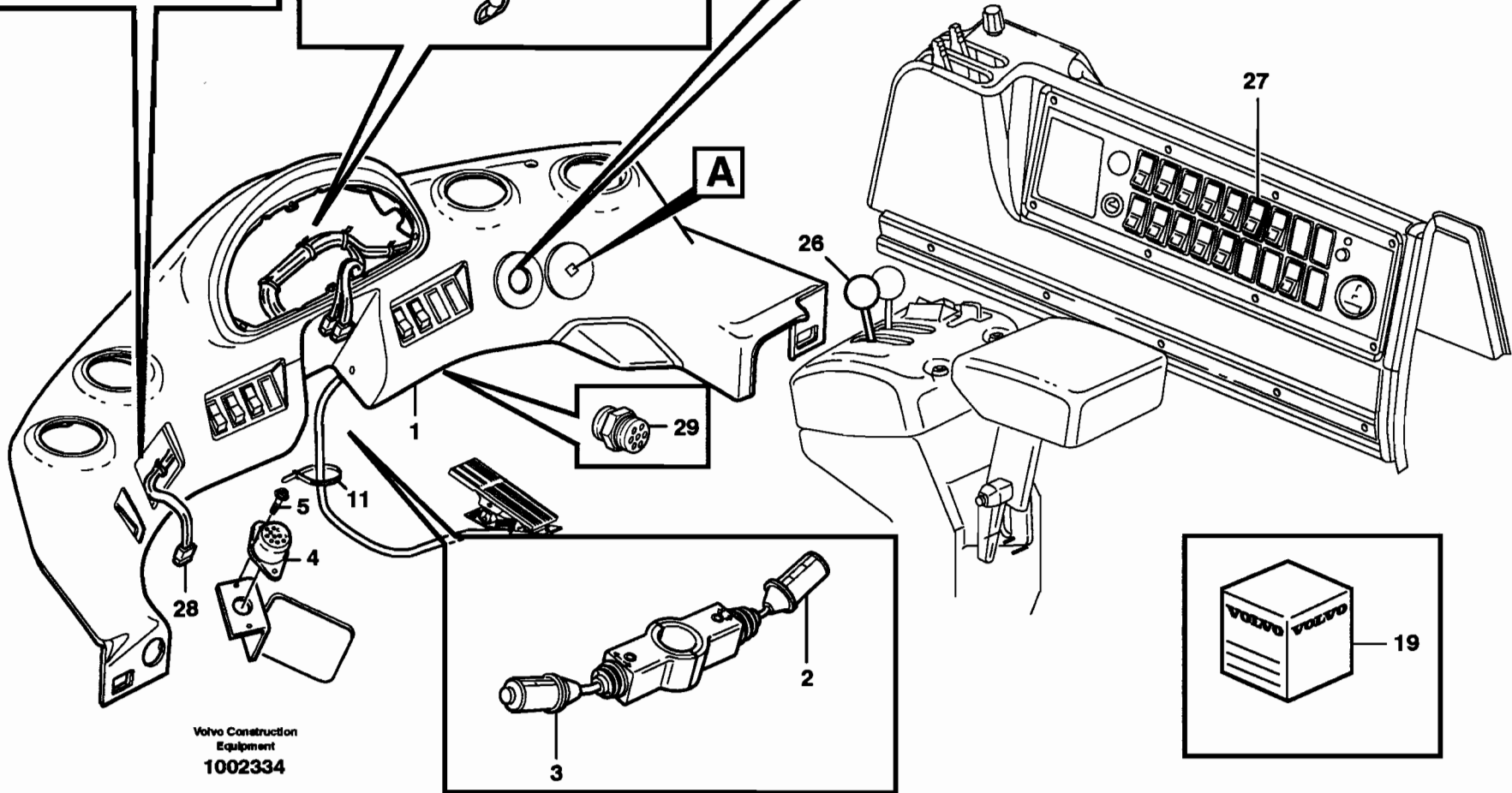
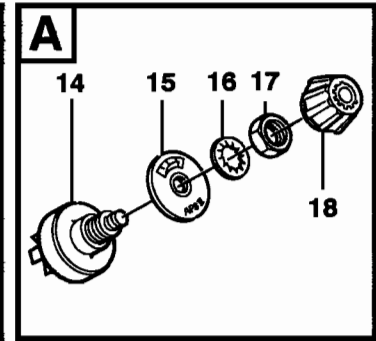
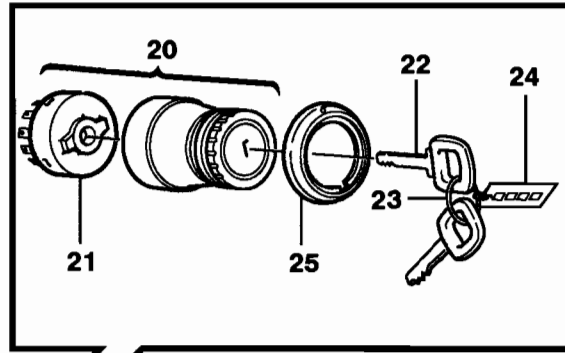
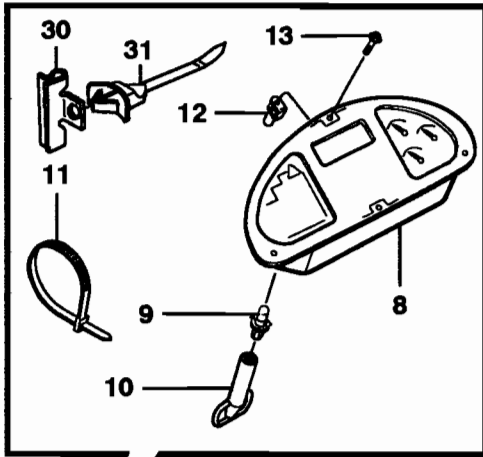
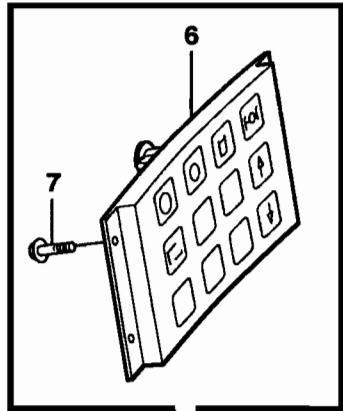


| Fig. | Part No. | Quantity | | | P S | K I T | Description | Dénomination | Bezeichnung | Denominación | Benämning | Notes |
|------|-------------|----------|---|---|--------|----------------------|------------------------|---------------------|----------------------|----------------------|-----------|-------|
| | | 1 | 2 | 3 | | | | | | | | |
| 21 | | 35 | | | NS | Cable Seal | Joint d'étanchéité pou | Leitungsdicht. | Sellador Cable..... | Ledningstätning..... | | |
| 22 | VOE 3173909 | 1 | | | | Cover | Capot | Haube..... | Cubierta..... | Kåpa..... | | |
| 23 | VOE 3173910 | 1 | | | | Cover | Capot | Haube..... | Cubierta..... | Kåpa..... | | |
| 24 | VOE 3173913 | 4 | | | | Shock Absorber | Amortis.confort..... | Komf Stossdfr..... | Amortiguador..... | Stötdämpare..... | | |
| 25 | VOE 3199185 | 1 | | | | Handle..... | Poignee..... | Griff | Mango | Handtag..... | | |
| 26 | VOE 975367 | 5 | | | | 6-pt skt screw..... | Vis creuse de 6 | Hohlschraube | Racor 6-dientes..... | Sextandhålskruv..... | | |
| 27 | VOE 3173907 | 1 | | | | Cover | Capot | Haube..... | Cubierta..... | Kåpa..... | | |
| 28 | VOE 3173908 | 1 | | | | Cover | Capot | Haube..... | Cubierta..... | Kåpa..... | | |

| | | | |
|---|--|-----------------------|------------|
| 1 | Isolatorer för timer och flatstift. Aisaldor para timer y clavija plana. Isolator für timer und Flachstecker. Isolant pour timer et fiche plate. Housings for timers and tabs | Catalogue id | Group |
| 2 | | 20007 | 379 |
| 3 | | Illustr. No | Section |
| 4 | | 1010765 | 900 |
| 5 | | Issue | Page |
| | | VOE 63D9920007 | 349 |

VOLVO

L90E



Volvo Construction
Equipment
1002334

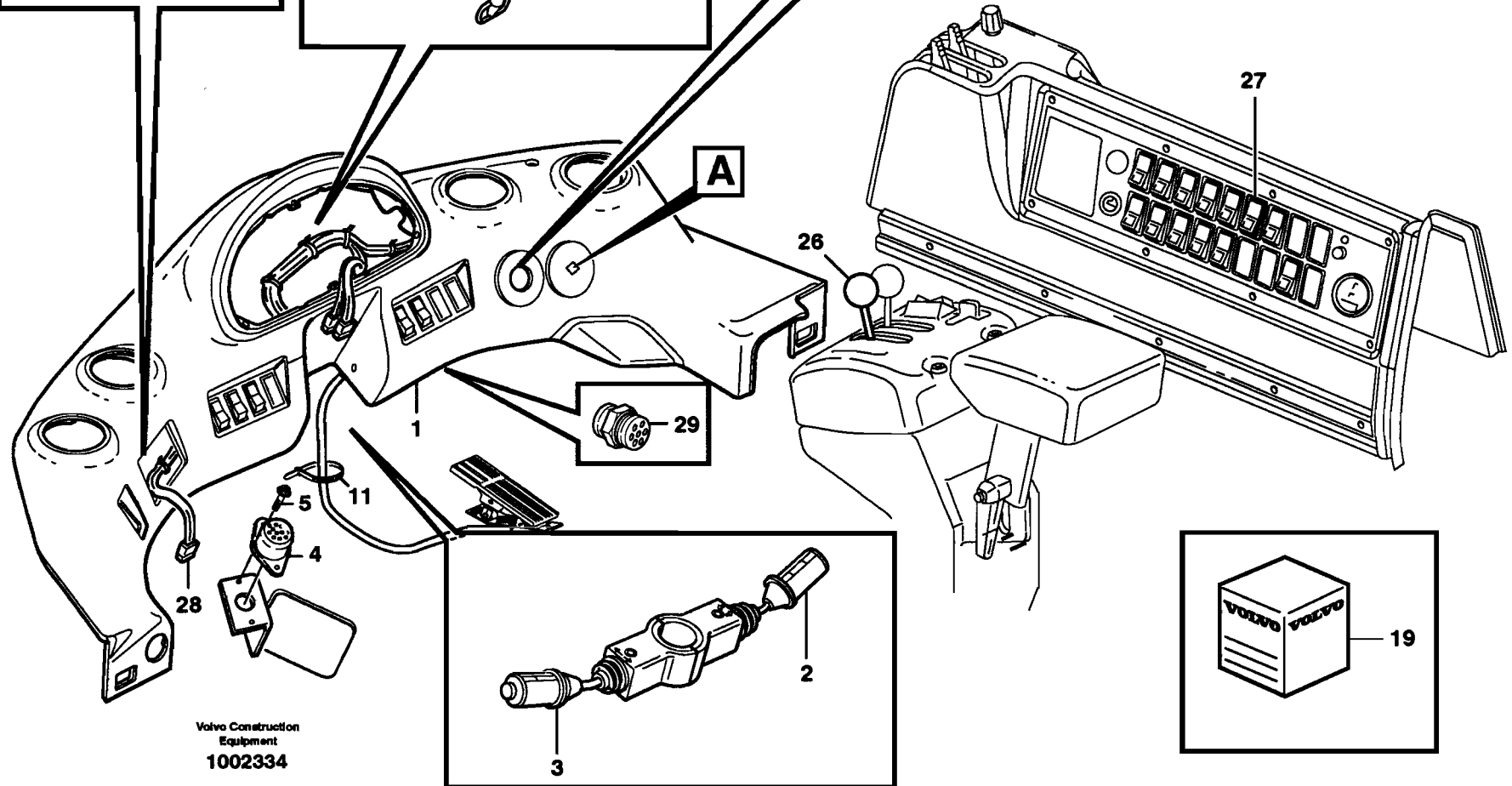
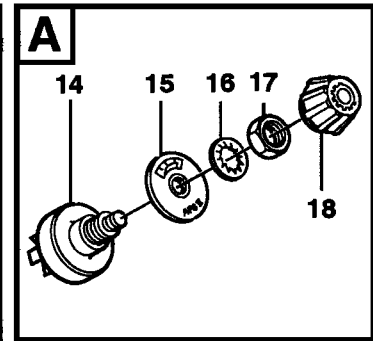
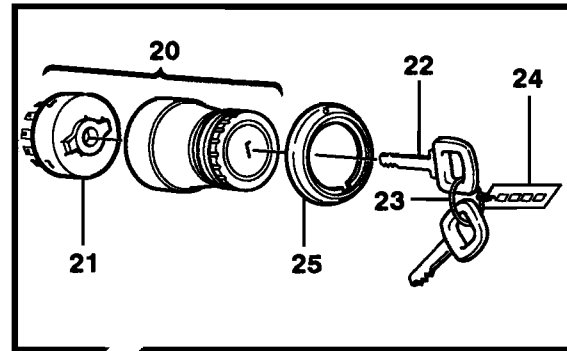
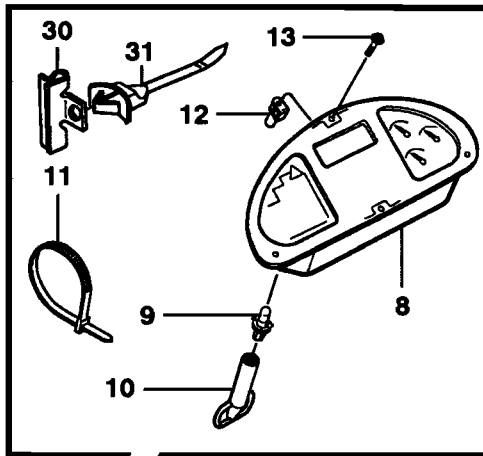
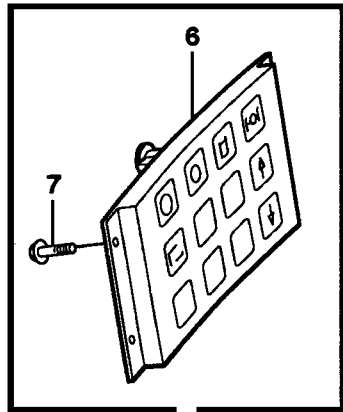
| Fig. | Part No. | Quantity | | | P S | K I T | Description | Dénomination | Bezeichnung | Denominación | Benämning | Notes |
|------|--------------|----------|---|---|--------|----------------------|---------------------|---------------------|-------------------|-----------------|-------------------------|-------|
| | | 1 | 2 | 3 | | | | | | | | |
| 1 | | 1 | | | | Instr panel | Planche bord | Instr tafel | Panel instrum | Instrumentpanel | See group 881, Page 749 | |
| 2 | VOE 11039248 | 1 | | | | Switch | Commutateur | Schalter | Commutador | Omkopplare | | |
| 3 | VOE 11039409 | 1 | | | | Switch | Commutateur | Schalter | Commutador | Omkopplare | | |
| 4 | VOE 1589502 | 1 | | | | Foot Operated Switch | Contacteur Au Pied | Fusschalter | Contacto Freno | Fotkontakt | 82824 | |
| 5 | VOE 13969278 | 2 | | | | Screw | Vis | Schraube | Tornillo | Skruv | 82824 | |
| | VOE 11164620 | 1 | | | | Plug | Bouchon | Stopfen | Tapon | Plugg | | |
| 6 | VOE 11170208 | 1 | | | | Control Unit | Unité de commande | Steuereinheit | Unidad de mando | Reglerenhet | (VOE 11039601) | |
| 7 | VOE 975358 | 4 | | | | Screw | Vis | Schraube | Tornillo | Skruv | | |
| 8 | VOE 11184402 | 1 | | | | ECU | ECU | ECU | ECU | ECU | I-ECU | |
| 9 | VOE 13966327 | 25 | | | | •Bulb | •Ampoule | •Glühlampe | •Ampolla | •Glödlampa | | |
| 10 | VOE 1089953 | 1 | | | | Tool | Outil | Werkzeug | Herramienta | Verktyg | | |
| 11 | VOE 4881440 | 1 | | | | Strip Clamp | Ruban Serrage | Kabelbinder | Abraz Cinta | Bandklamma | | |
| 12 | VOE 977980 | 4 | | | | Spring Nut | Ecrou Ressort | Fed. Schliessmutter | Tuerca Resorte | Fjädermutter | | |
| 13 | VOE 975371 | 4 | | | | Screw | Vis | Schraube | Tornillo | Skruv | | |
| 14 | VOE 11039224 | 1 | | | | Fan Switch | Commu.ventilat. | Gebälteschalter | Conmut Ventil | Fläktomkopplare | APS II | |
| 15 | VOE 11007896 | 1 | | | | Cover | Couvercle | Deckel | Tapa | Lock | APS II, S/N - 2494 | |
| | VOE 11164817 | 1 | | | | Cover | Couvercle | Deckel | Tapa | Lock | APS, S/N 2495 - | |
| 16 | VOE 13940097 | 1 | | | | Washer | Rondelle | Scheibe | Arandela | Bricka | | |
| 17 | VOE 1212859 | 1 | | | | Nut | Ecrou | Mutter | Tuerca | Mutter | | |
| 18 | VOE 11039535 | 1 | | | | Knob | Bouton | Knauf | Boton | Knopp | | |
| 19 | VOE 11006988 | 1 | | | | Lock Kit | Kit Serrure | Schlossteilsatz | Juego Seguridad | Låssats | 3) | |
| | | 1 | | | NS | Lock Kit | Kit Serrure | Schlossteilsatz | Juego Seguridad | Låssats | | |
| | | 1 | 1 | | | •Door Lock | •Serrure Porte | •Turschloss | •Cerradura Puert | •Dörriås | See group 831, Page 671 | |
| 20 | | 1 | | | NS | •Starter switch | •Interru. ocontact | •Startschloss | •Cerradur arranq. | •Startlås | | |
| | VOE 11039220 | 1 | | | | •Starter switch | •Interru. ocontact | •Startschloss | •Cerradur arranq. | •Startlås | | |
| 21 | VOE 1626372 | 1 | 1 | | | ••Starter Switch | ••Commutat. demarre | ••Anlasschalter | ••Contact Arranq. | ••Startkontakt | | |
| 22 | VOE 11039226 | 2 | | | | ••Pass Key | ••Cle Principale | ••Hauptschlüssel | ••Llave Maestra | ••Huvudnyckel | 3) BLACK | |
| | VOE 11039228 | 2 | | | | ••Pass Key | ••Cle Principale | ••Hauptschlüssel | ••Llave Maestra | ••Huvudnyckel | , GREEN | |

3) GB: When ordering, the key No. should be stated. FR: Lors d'une commande, il faut indiquer le numéro de la clé. DE: Bei bestellung muss die Schlüsselnummer angegeben werden. ES: Al pedir debe indicarse el número de la llave. SE: Vid beställning måste nyckeln anges.

| | | | | |
|---|-------|--|----------------|---------|
| 1 | 33277 | Instrumentpanel Panel de instrumentos Instrumententafel Tableau de bord Instrument panel | Catalogue id | Group |
| 2 | 94638 | | 20007 | 380 |
| 3 | | | Illustr. No | Section |
| 4 | | | 1002334 | 100 |
| 5 | | | Issue | Page |
| | | 33277, 94638 | VOE 63D9920007 | 351 |

VOLVO

L90E



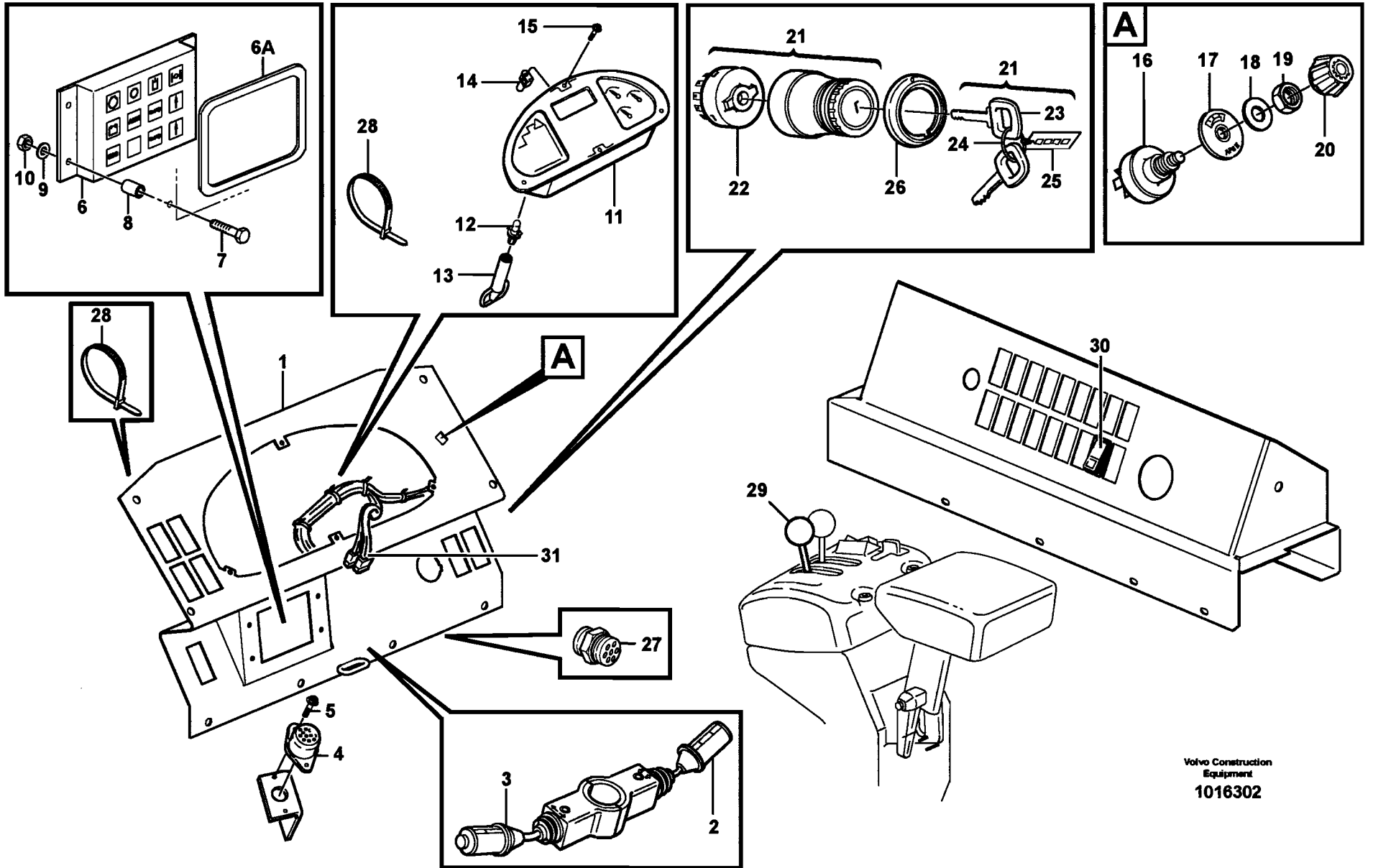
Volvo Construction
Equipment
1002334

| Fig. | Part No. | Quantity | | | P S | K I T | Description | Dénomination | Bezeichnung | Denominación | Benämning | Notes |
|------|--------------|----------|---|---|--------|--------------------------|-------------------------|-------------------------|------------------------|---------------------|-------------------------|-------|
| | | 1 | 2 | 3 | | | | | | | | |
| 23 | | 2 | 2 | | NS | ••Key strip | ••Ruban cle | ••Schlüsselband | ••Cinta de llave | ••Nyckelband..... | | |
| 24 | | 1 | 1 | | NS | ••Key badge | ••Plaque cle..... | ••Schlüsselkennschil .. | ••Placa llave | ••Nyckelbricka..... | | |
| 25 | VOE 11104514 | 1 | | | | Symbol Strip..... | Ruban Symbole | Symbolreihe | Disco Simbolos | Symbolskiva..... | | |
| 26 | | 1 | | | | Gear lever carrier | Renvoi levier | Schaltbock..... | Alojamiento palanca .. | Spakställ..... | See group 371, Page 257 | |
| 27 | | 1 | | | | Switch | Interrupteur bas..... | Schalter | Interruptor bas..... | Strömställare..... | See group 380, Page 361 | |
| 28 | | 1 | | | | Wire harness..... | Faisceau cables | Kabelbaum..... | Manojo cables | Ledningsmatta..... | See group 371, Page 229 | |
| 29 | VOE 828587 | 1 | | | | Buzzer..... | Répétiteur acoustiqu .. | Summer..... | Zumbador | Summer..... | | |
| 30 | VOE 11039688 | 1 | | | | Clip..... | Clip..... | Klemme | Clip | Clips..... | | |
| 31 | VOE 11039689 | 1 | | | | Strip Clamp | Ruban Serrage..... | Kabelbinder | Abraz Cinta | Bandklamma..... | | |

| | | | | |
|---|-------|--|----------------|---------|
| 1 | 33277 | Instrumentpanel Panel de instrumentos Instrumententafel Tableau de bord Instrument panel | Catalogue id | Group |
| 2 | 94638 | | 20007 | 380 |
| 3 | | | Illustr. No | Section |
| 4 | | | 1002334 | 100 |
| 5 | | | Issue | Page |
| | | 33277, 94638 | VOE 63D9920007 | 353 |

VOLVO

L90E



Volvo Construction
Equipment
1016302

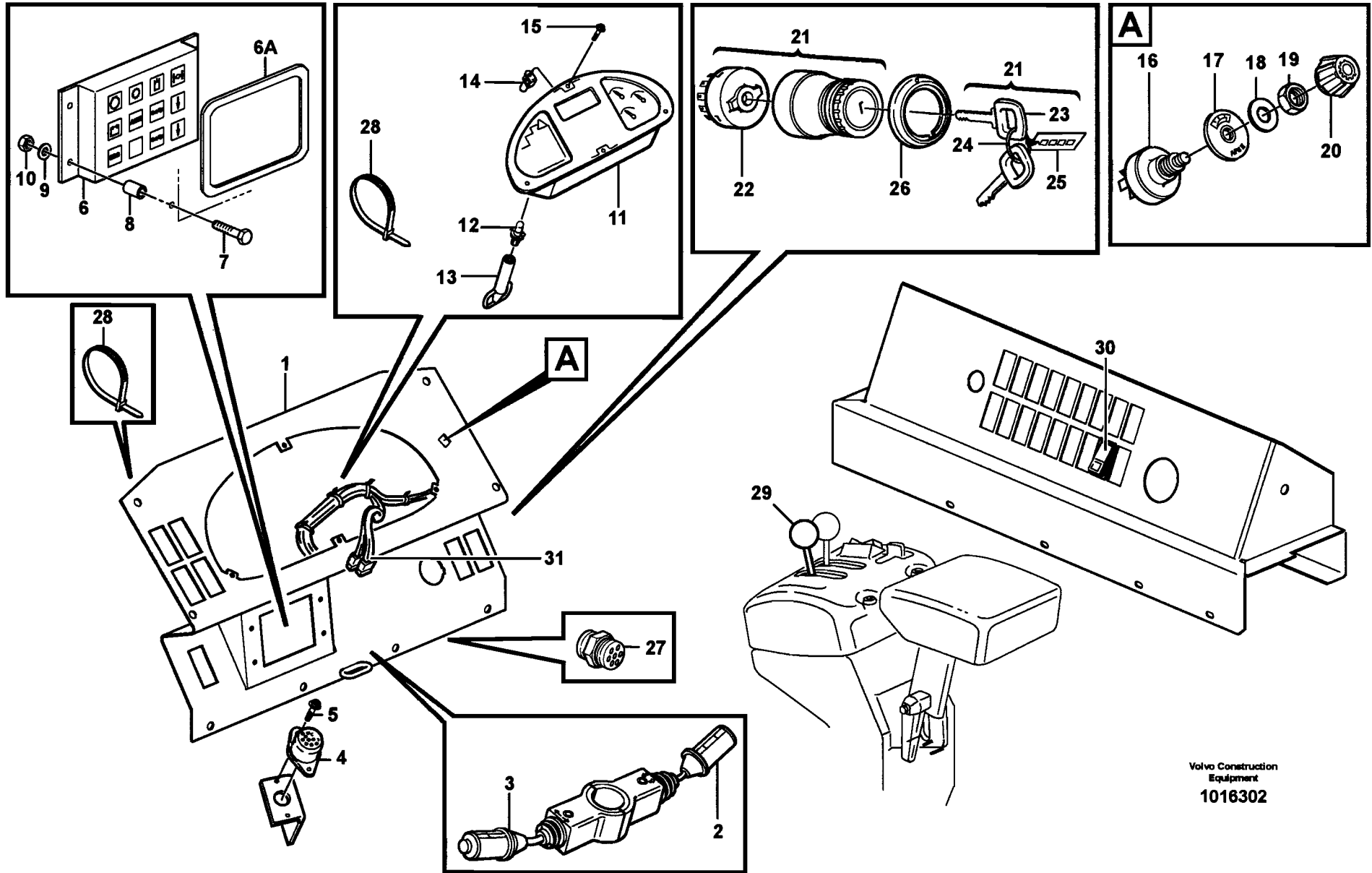
| Fig. | Part No. | Quantity | | | P S | K I T | Description | Dénomination | Bezeichnung | Denominación | Benämning | Notes |
|------|--------------|----------|---|---|--------|-----------------------|--------------------------|---------------------------|-----------------------|----------------------|-------------------------|-------|
| | | 1 | 2 | 3 | | | | | | | | |
| 1 | | 1 | | | | Instr panel | Planche bord | Instr tafel | Panel instrum | Instrumentpanel..... | See group 881, Page 751 | |
| 2 | VOE 11039248 | 1 | | | | Switch | Commutateur | Schalter | Commutador | Omkopplare..... | | |
| 3 | VOE 11039409 | 1 | | | | Switch | Commutateur | Schalter | Commutador | Omkopplare..... | | |
| 4 | VOE 1589502 | 1 | | | | Foot Operated Switch | Contacteur Au Pied.... | Fusschalter..... | Contacto Freno | Fotkontakt..... | 82824 | |
| 5 | VOE 13969278 | 2 | | | | Screw | Vis | Schraube..... | Tornillo | Skruv..... | 82824 | |
| | VOE 11164620 | 1 | | | | Plug..... | Bouchon..... | Stopfen..... | Tapon | Plugg..... | | |
| 6 | VOE 11170126 | 1 | | | | Control Unit..... | Unite Commande | Steuergerät | Unidad Mando..... | Manöverenhet..... | | |
| 6A | VOE 762681 | REQ | | | | Rubber Moulding..... | Joint Caoutchouc | Gummileiste | Liston Goma..... | Gummilist..... | L = 340 MM | |
| 7 | VOE 13969558 | 4 | | | | 6-pt skt screw..... | Vis creuse de 6 | Hohlschraube | Racor 6-dientes..... | Sextandhålskruv..... | | |
| 8 | VOE 11164878 | 4 | | | | Spacer..... | Partie Intermédiaire.... | Zwischenstück..... | Espaciador | Mellandel..... | | |
| 9 | VOE 955891 | 4 | | | | Washer..... | Rondelle..... | Scheibe | Arandela..... | Bricka..... | | |
| 10 | VOE 13975237 | 4 | | | | Lock nut | Contre-ecrou | Sicherungsmutter | Contratuerca | Låsmutter..... | | |
| 11 | VOE 11184402 | 1 | | | | ECU | ECU | ECU..... | ECU..... | ECU..... | I-ECU | |
| 12 | VOE 13966327 | 25 | | | | •Bulb | •Ampoule..... | •Glühlampe..... | •Ampolla | •Glödlampa | | |
| 13 | VOE 1089953 | 1 | | | | Tool..... | Outil..... | Werkzeug | Herramienta | Verktyg..... | | |
| | VOE 4881440 | 1 | | | | Strip Clamp | Ruban Serrage..... | Kabelbinder | Abraz Cinta | Bandklamma..... | | |
| 14 | VOE 977980 | 4 | | | | Spring Nut..... | Ecrou Ressort | Fed. Schliessmutter | Tuerca Resorte | Fjädermutter..... | | |
| 15 | VOE 975371 | 4 | | | | Screw..... | Vis | Schraube..... | Tornillo | Skruv..... | | |
| 16 | VOE 11039224 | 1 | | | | Fan Switch | Commu.ventilat. | Gebälaseschalter | Conmut Ventil..... | Fläktomkopplare..... | | |
| 17 | VOE 11007896 | 1 | | | | Cover | Couvercle..... | Deckel | Tapa | Lock..... | APS II | |
| | VOE 11164817 | 1 | | | | Cover | Couvercle..... | Deckel | Tapa | Lock..... | APS | |
| 18 | VOE 13940097 | 1 | | | | Washer..... | Rondelle..... | Scheibe | Arandela..... | Bricka..... | | |
| 19 | VOE 1212859 | 1 | | | | Nut | Ecrou..... | Mutter | Tuerca | Mutter..... | | |
| 20 | VOE 11039535 | 1 | | | | Knob..... | Bouton..... | Knauf | Boton | Knopp..... | | |
| 21 | VOE 11039220 | 1 | | | | Starter switch | Interru. ocontact | Startschloss..... | Cerradur arranq..... | Startlås..... | | |
| 22 | VOE 1626372 | 1 | | | | •Starter Switch | •Commutat. demarre.. | •Anlasschalter | •Contact Arranq..... | •Startkontakt..... | | |
| 23 | VOE 11039228 | 2 | | | | •Pass Key | •Cle Principale..... | •Hauptschlüssel..... | •Llave Maestra | •Huvudnyckel..... | 3) , GREEN | |
| 24 | | 2 | | | NS | •Key strip..... | •Ruban cle..... | •Schlüsselband..... | •Cinta de llave | •Nyckelband..... | | |

3) GB: When ordering, the key No. should be stated. FR: Lors d'une commande, il faut indiquer le numéro de la clé. DE: Bei bestellung muss die Schlüsselnummer angegeben werden. ES: Al pedir debe indicarse el número de la llave. SE: Vid beställning måste nyckelnr anges.

| | | | | |
|---|--|-----------------------|----------------|---------|
| 1 | | Instrumentpanel | Catalogue id | Group |
| 2 | | Panel de instrumentos | 20007 | 380 |
| 3 | | Instrumententafel | Illustr. No | Section |
| 4 | | Tableau de bord | 1016302 | 125 |
| 5 | | Instrument panel | Issue | Page |
| | | OPEN ROPS | VOE 63D9920007 | 355 |

VOLVO

L90E



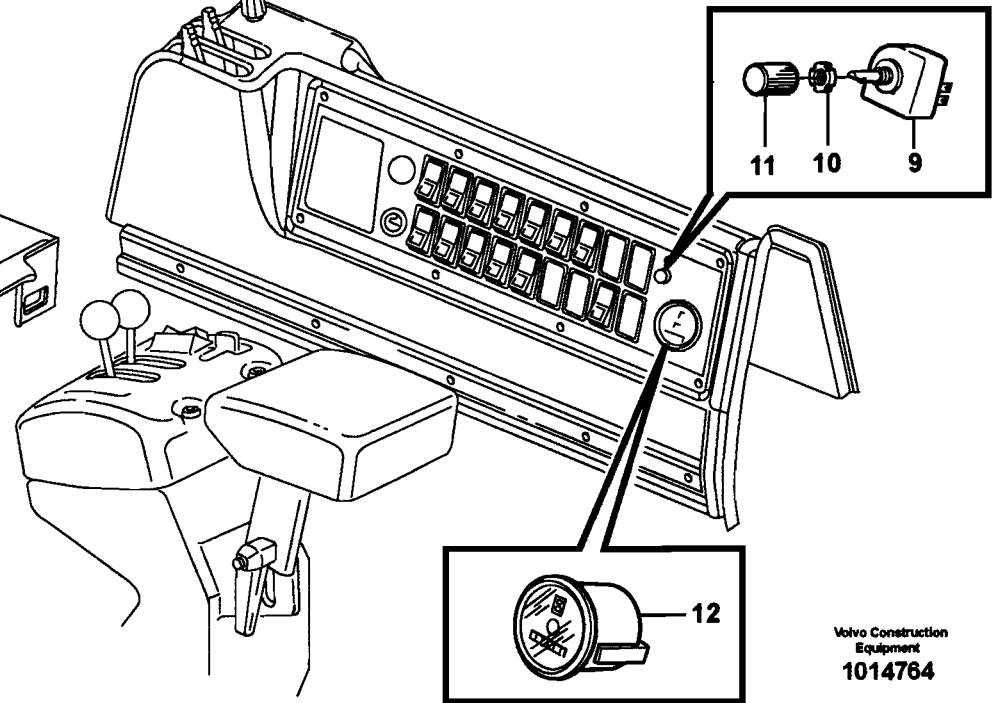
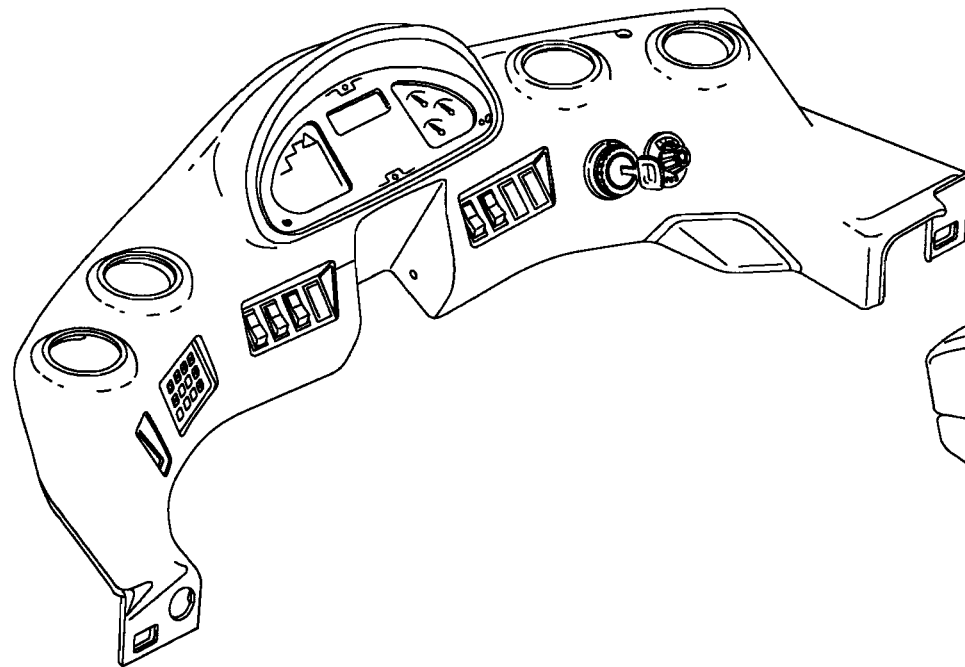
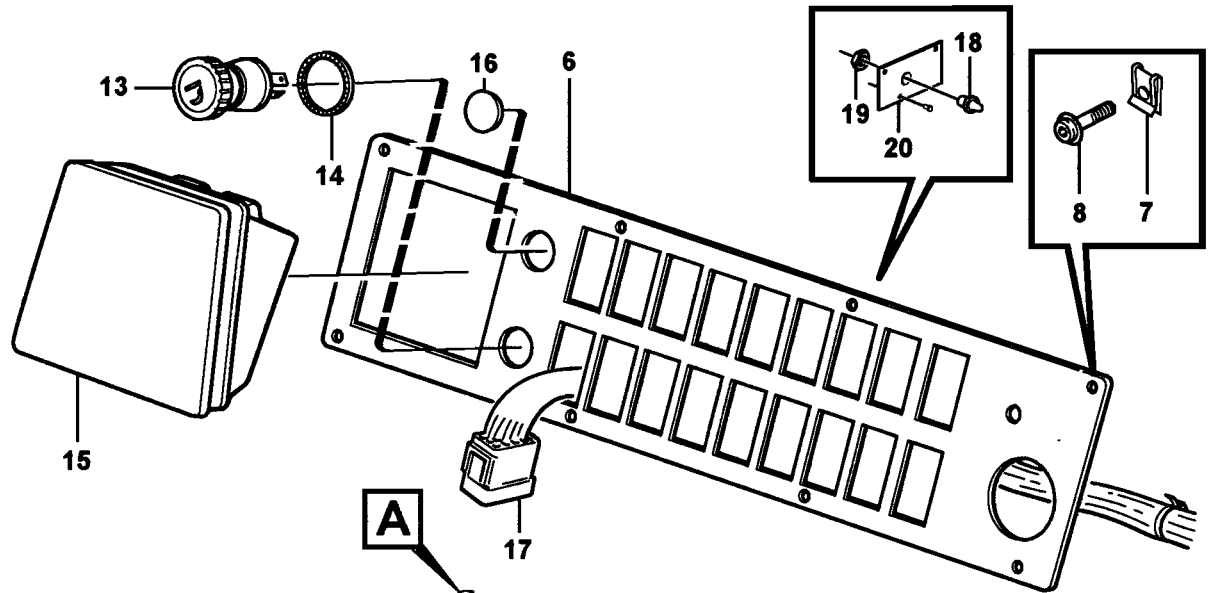
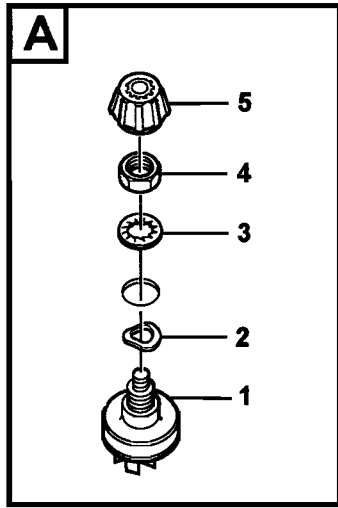
Volvo Construction
Equipment
1016302

| Fig. | Part No. | Quantity | | | P S | K I T | Description | Dénomination | Bezeichnung | Denominación | Benämning | Notes |
|------|--------------|----------|---|---|--------|--------------------------|-------------------------|------------------------|------------------------|--------------------|-------------------------|-------|
| | | 1 | 2 | 3 | | | | | | | | |
| 25 | | 1 | | | NS | •Key badge | •Plaque cle | •Schlüsselkennschild.. | •Placa llave..... | •Nyckelbricka..... | | |
| 26 | VOE 11104514 | 1 | | | | Symbol Strip..... | Ruban Symbole | Symbolreihe | Disco Simbolos | Symbolskiva..... | | |
| 27 | VOE 828587 | 1 | | | | Buzzer..... | Répétiteur acoustiqu .. | Summer..... | Zumbador | Summer..... | | |
| 28 | VOE 4881440 | 10 | | | | Strip Clamp | Ruban Serrage..... | Kabelbinder..... | Abraz Cinta | Bandklamma..... | | |
| 29 | | 1 | | | | Gear lever carrier | Renvoi levier | Schaltbock..... | Alojamiento palanca... | Spakställ..... | See group 371, Page 259 | |
| 30 | | 1 | | | | Switch | Interrupteur bas..... | Schalter | Interruptor bas..... | Strömställare..... | See group 380, Page 361 | |
| 31 | | 1 | | | | Wire harness..... | Faisceau cables | Kabelbaum | Manojo cables | Ledningsmatta..... | See group 371, Page 233 | |

| | | | | |
|---|--|-----------------------|----------------|---------|
| 1 | | Instrumentpanel | Catalogue id | Group |
| 2 | | Panel de instrumentos | 20007 | 380 |
| 3 | | Instrumententafel | Illustr. No | Section |
| 4 | | Tableau de bord | 1016302 | 125 |
| 5 | | Instrument panel | Issue | Page |
| | | OPEN ROPS | VOE 63D9920007 | 357 |

VOLVO

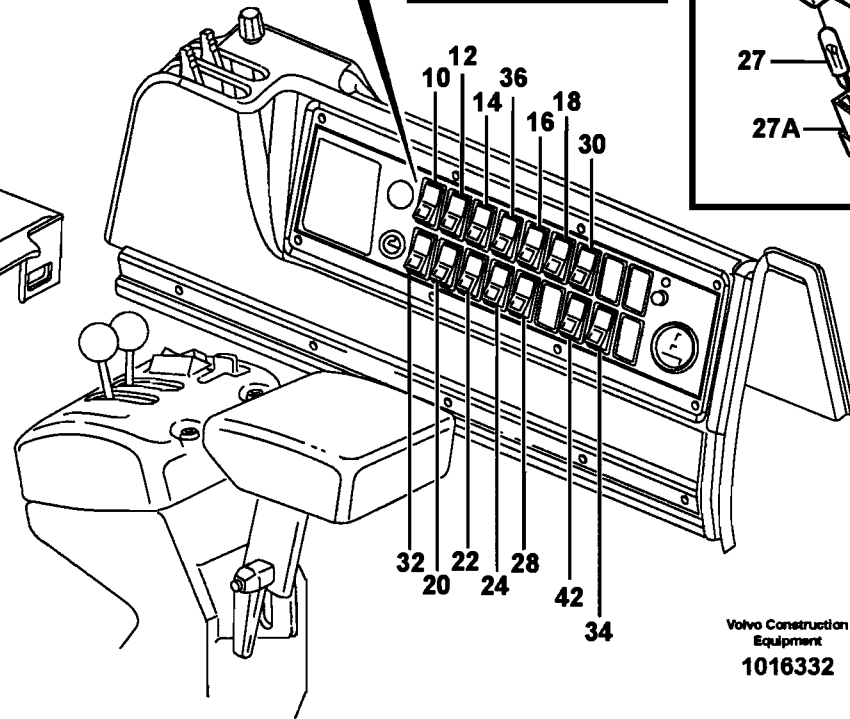
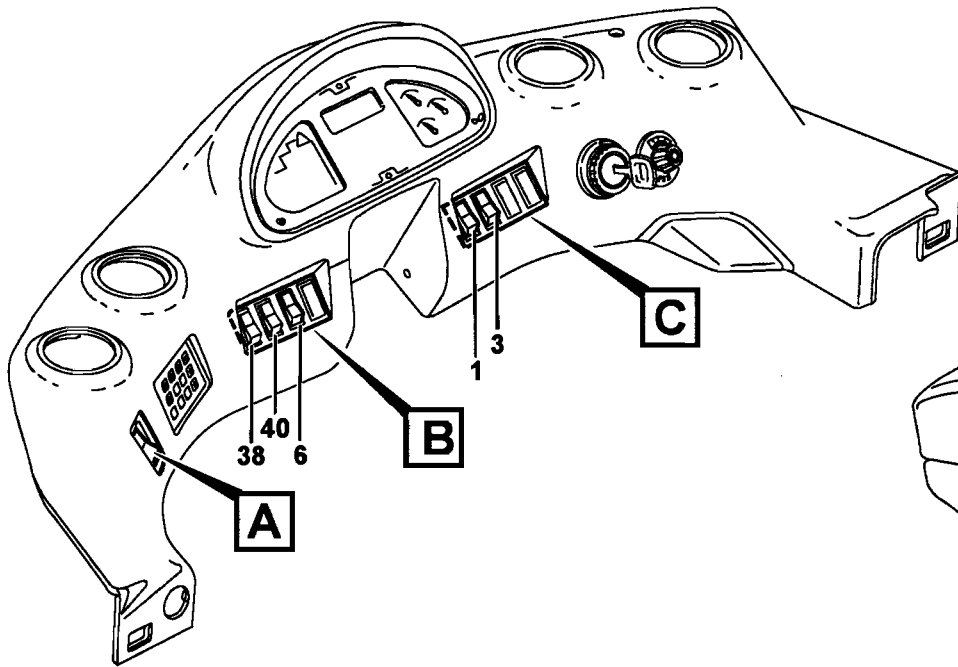
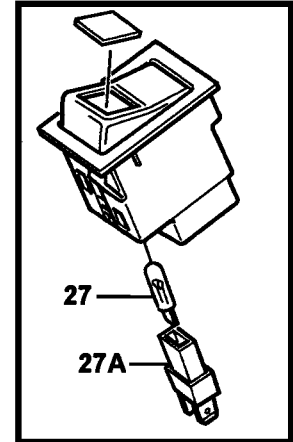
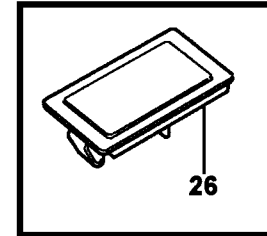
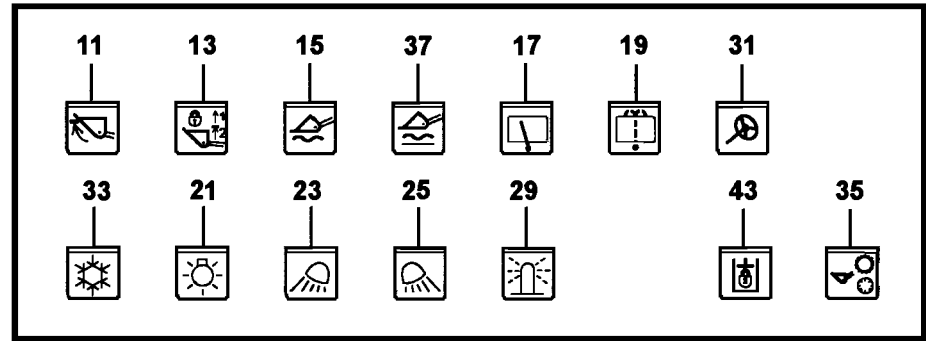
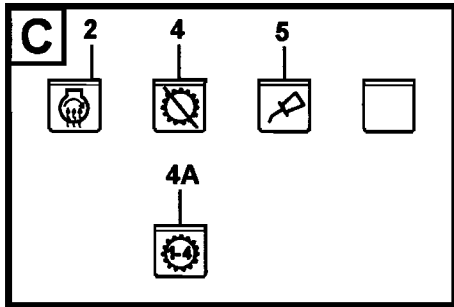
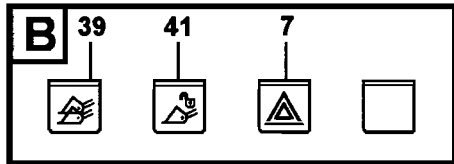
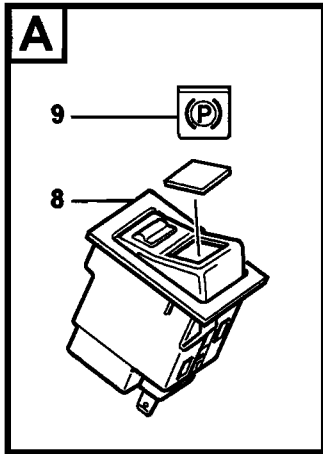
L90E



Volvo Construction
Equipment
1014764

| Fig. | Part No. | Quantity | | | P S | K I T | Description | Dénomination | Bezeichnung | Denominación | Benämning | Notes |
|------|--------------|----------|---|---|--------|---------------------|-------------------------|------------------------|-------------------------|----------------------|-------------------------|-------|
| | | 1 | 2 | 3 | | | | | | | | |
| 1 | VOE 11039224 | 1 | | | | Fan Switch | Commu.ventilat. | Gebälaseschalter | Conmut Ventil..... | Fläktomkopplare..... | | |
| 2 | VOE 941908 | 1 | | | | Spring Washer | Rondelle élastique | Federscheibe | Arandela flexible | Fjäderbricka..... | | |
| 3 | VOE 13940109 | 1 | | | | Lock Washer | Rondel.verroui..... | Sicher Scheibe | Arandel Segurid | Låsbricka..... | | |
| 4 | VOE 1212859 | 1 | | | | Nut | Ecrou..... | Mutter | Tuerca | Mutter..... | | |
| 5 | VOE 11007040 | 1 | | | | Knob..... | Bouton..... | Knauf..... | Boton | Knopp..... | | |
| 6 | VOE 11006145 | 1 | | | | Panel Plate..... | Tole Panneau..... | Paneelblech | Placa Panel | Panelplåt..... | | |
| 7 | VOE 11006973 | 8 | | | | Clip..... | Clip..... | Klemme | Clip | Clips..... | | |
| 8 | VOE 13969278 | 8 | | | | Screw..... | Vis..... | Schraube..... | Tornillo | Skruv..... | | |
| 9 | VOE 1578846 | 1 | | | | Rheostat..... | Rheostat..... | Rheostat | Reostato..... | Reostat..... | | |
| 10 | VOE 1212770 | 1 | | | | Nut Washer..... | Plaque Filetee | Mutterscheibe..... | Arandela Tuerca..... | Mutterbricka..... | | |
| 11 | VOE 1258492 | 1 | | | | Knob..... | Bouton..... | Knauf..... | Boton | Knopp..... | | |
| 12 | VOE 11170147 | 1 | | | | Hour counter | Compteur horaire | Stundenzähler | Contador horario | Timräknare..... | (VOE 4803561) | |
| 13 | VOE 1586917 | 1 | | | | Cig Lighter..... | Allume cigare | Zig Anzünder..... | Encendfdor cigarro..... | Cigarettändare..... | | |
| 14 | VOE 13946222 | 1 | | | | Retainer | Retenue | Halter..... | Soporte..... | Hållare | | |
| 15 | VOE 1224102 | 1 | | | | Ashtray..... | Cendrier | Aschenbecher | Cenicero..... | Askkopp..... | | |
| 16 | VOE 11104995 | 1 | | | | Plug..... | Bouchon..... | Stopfen..... | Tapon | Plugg..... | | |
| 17 | | 1 | | | | Wire harness..... | Faisceau cables | Kabelbaum..... | Manojo cables | Ledningsmatta..... | See group 371, Page 237 | |
| 18 | VOE 1609046 | 1 | | | | Thermo Monitor..... | Temoin Tempera..... | Tem Wächter..... | Avisador Temper..... | Temperaturvakt..... | SE809 | |
| 19 | VOE 4803796 | 1 | | | | Nut | Ecrou..... | Mutter | Tuerca | Mutter..... | | |
| 20 | VOE 11104723 | 1 | | | | Plate..... | Tôle | Blech | Chapa..... | Plåt..... | | |

| | | | | |
|---|--|--|-----------------------|------------|
| 1 | | Sidopanel Panel lateral Seitenpaneel Panneau lateral Side panel | Catalogue id | Group |
| 2 | | | 20007 | 380 |
| 3 | | | Illustr. No | Section |
| 4 | | | 1014764 | 150 |
| 5 | | | Issue | Page |
| | | | VOE 63D9920007 | 359 |

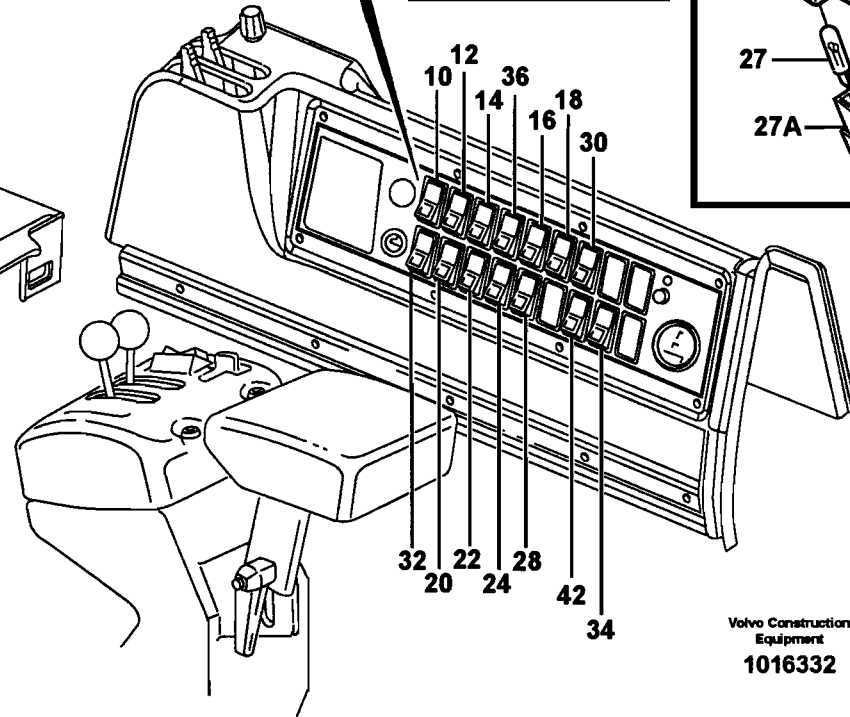
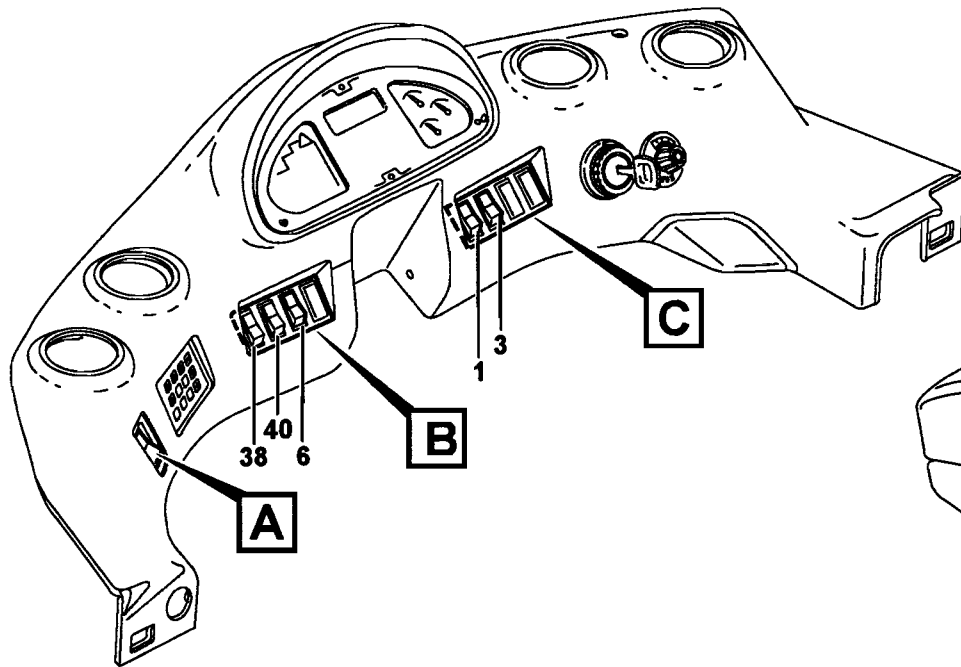
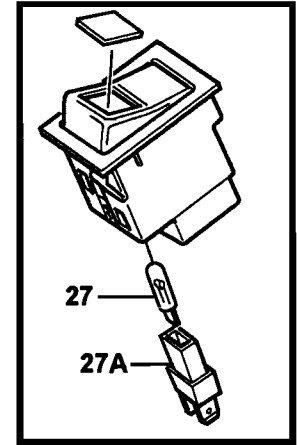
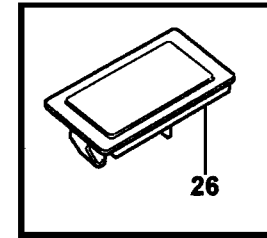
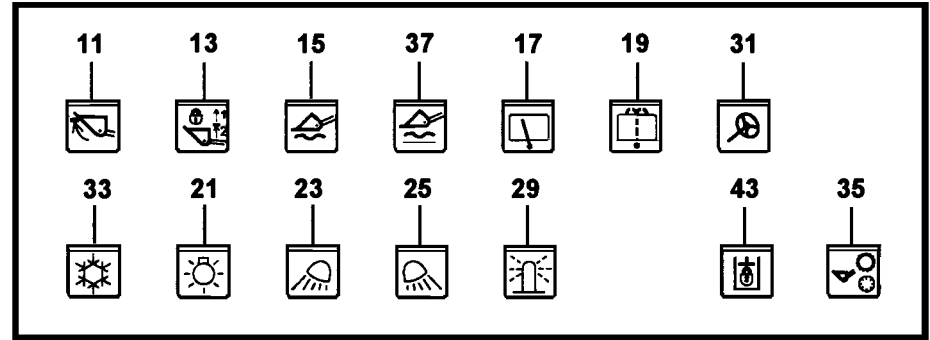
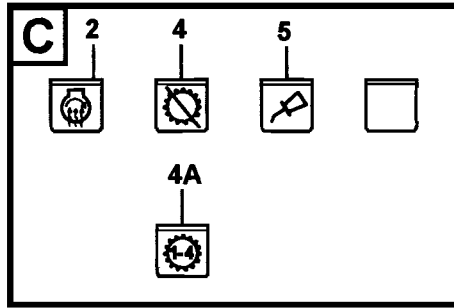
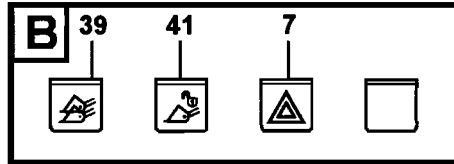
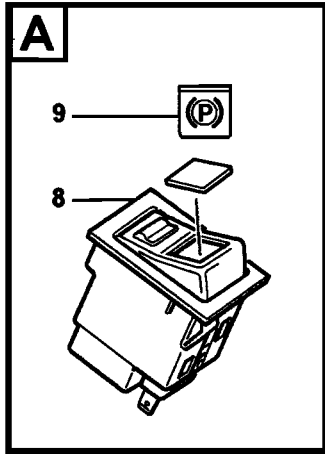


| Fig. | Part No. | Quantity | | | | | P S | K I T | Description | Dénomination | Bezeichnung | Denominación | Benämning | Notes |
|------|--------------|----------|---|---|---|---|--------|--------------|------------------|---------------|------------------|--------------------|------------|-------|
| | | 1 | 2 | 3 | 4 | 5 | | | | | | | | |
| 1 | VOE 4803456 | 1 | | 1 | | | | Switch | Commutateur..... | Schalter..... | Contactador..... | Strömställare..... | 88) | |
| 2 | VOE 11039450 | 1 | | 1 | | | | Lens | Lentille | Linse | Lente | Lins..... | | |
| 3 | VOE 4803455 | 1 | | 1 | | | | Switch | Commutateur..... | Schalter..... | Contactador..... | Strömställare..... | 88) | |
| 4 | VOE 4803700 | 1 | | 1 | | | | Lens | Lentille | Linse | Lente | Lins..... | S/N - 2494 | |
| 4A | VOE 11170154 | 1 | | 1 | | | | Lens | Lentille | Linse | Lente | Lins..... | S/N 2495 - | |
| 5 | 11039454 | 1 | | 1 | | | | Lens | Lentille | Linse | Lente | Lins..... | | |
| 6 | VOE 4803464 | 1 | | 1 | | | | Switch | Commutateur..... | Schalter..... | Contactador..... | Strömställare..... | 88) | |
| 7 | VOE 11039565 | 1 | | 1 | | | | Lens | Lentille | Linse | Lente | Lins..... | | |
| 8 | VOE 11039390 | 1 | | 1 | | | | Switch | Commutateur..... | Schalter..... | Contactador..... | Strömställare..... | 88) | |
| 9 | VOE 11039564 | 1 | | 1 | | | | Lens | Lentille | Linse | Lente | Lins..... | | |
| 10 | VOE 4803455 | 1 | | 1 | | | | Switch | Commutateur..... | Schalter..... | Contactador..... | Strömställare..... | 88) | |
| 11 | VOE 11039477 | 1 | | 1 | | | | Lens | Lentille | Linse | Lente | Lins..... | | |
| 12 | VOE 4803534 | 1 | | 1 | | | | Switch | Commutateur..... | Schalter..... | Contactador..... | Strömställare..... | 88) | |
| 13 | VOE 11039480 | 1 | | 1 | | | | Lens | Lentille | Linse | Lente | Lins..... | | |
| 14 | VOE 4803455 | 1 | | 1 | | | | Switch | Commutateur..... | Schalter..... | Contactador..... | Strömställare..... | 88) | |
| 15 | VOE 11039481 | 1 | | 1 | | | | Lens | Lentille | Linse | Lente | Lins..... | | |
| 16 | VOE 4803534 | 1 | | | 1 | | | Switch | Commutateur..... | Schalter..... | Contactador..... | Strömställare..... | 88) | |
| 17 | VOE 11039694 | 1 | | | 1 | | | Lens | Lentille | Linse | Lente | Lins..... | | |
| 18 | VOE 4803456 | 1 | | | 1 | | | Switch | Commutateur..... | Schalter..... | Contactador..... | Strömställare..... | 88) | |
| 19 | VOE 11039695 | 1 | | | 1 | | | Lens | Lentille | Linse | Lente | Lins..... | | |
| 20 | VOE 4803521 | 1 | | 1 | | | | Switch | Commutateur..... | Schalter..... | Contactador..... | Strömställare..... | 88) | |
| 21 | VOE 4803472 | 1 | | 1 | | | | Lens | Lentille | Linse | Lente | Lins..... | | |
| 22 | VOE 4803521 | 1 | | 1 | | 1 | | Switch | Commutateur..... | Schalter..... | Contactador..... | Strömställare..... | 88) | |
| 23 | VOE 4803694 | 1 | | 1 | | 1 | | Lens | Lentille | Linse | Lente | Lins..... | | |
| 24 | VOE 4803521 | 1 | | 1 | | | | Switch | Commutateur..... | Schalter..... | Contactador..... | Strömställare..... | 88) | |
| 25 | VOE 4803693 | 1 | | 1 | | | | Lens | Lentille | Linse | Lente | Lins..... | | |

88) GB: The switch includes the bulb. FR: L'interrupteur comprennent une ampoule. DE: Die Glühlampe ist im Schalter enthalten. ES: La bombilla esta' en el interior del conmutador.
SE: Glödlampan ingår i strömställaren.

1294) GB: Not included when cab is ordered FR: Non compris dans la commande de la cabine DE: Bei Bestellung mit Kabine nicht enthalten ES: No se incluye en el pedido SE: Ingår ej vid beställning av hytt

| | | | | |
|---|-----------|--|-----------------------|------------|
| 1 | 33277 | Strömbrytare Interruptor Schalter Interrupteur Switch | Catalogue id | Group |
| 2 | 1294) | | 20007 | 380 |
| 3 | OPEN ROPS | | Illustr. No | Section |
| 4 | 82790 | | 1016332 | 200 |
| 5 | 82875 | | Issue | Page |
| | | | VOE 63D9920007 | 361 |



| Fig. | Part No. | Quantity | | | | | P S | K I T | Description | Dénomination | Bezeichnung | Denominación | Benämning | Notes |
|------|--------------|----------|---|-----|---|---|--------|-----------------------|---------------------|---------------------|----------------------|--------------------|-----------------|-------|
| | | 1 | 2 | 3 | 4 | 5 | | | | | | | | |
| 26 | VOE 4803467 | REQ | | REQ | | 1 | | Protecting cover..... | Couvercle protectio | Schutzdeckel | Tapa proteccion..... | Skyddslock..... | | |
| 27 | VOE 11997242 | REQ | | REQ | | 1 | | Bulb..... | Ampoule | Glühlampe | Ampolla | Glödlampa..... | 88) , 28V/40mA | |
| 27A | VOE 14214082 | REQ | | REQ | | | | Lamp retainer..... | Porte-lampe..... | Lampenfassung | Portalamparas | Lamphållare..... | 88) | |
| 28 | VOE 4803455 | | 1 | | | | | Switch | Commutateur..... | Schalter..... | Contactador | Strömställare..... | 88) 93799 | |
| 29 | VOE 11039140 | | 1 | | | | | Lens | Lentille | Linse | Lente | Lins..... | 93799 | |
| 30 | VOE 4803530 | | 1 | | | | | Switch | Commutateur..... | Schalter..... | Contactador | Strömställare..... | 88) 80932 | |
| 31 | VOE 11039505 | | 1 | | | | | Lens | Lentille | Linse | Lente | Lins..... | 80932 | |
| 32 | VOE 4803455 | | 1 | | | | | Switch | Commutateur..... | Schalter..... | Contactador | Strömställare..... | 88) 80868 | |
| 33 | VOE 11039205 | | 1 | | | | | Lens | Lentille | Linse | Lente | Lins..... | 80868 | |
| 34 | VOE 4803521 | | 1 | | | | | Switch | Commutateur..... | Schalter..... | Contactador | Strömställare..... | 88) 80931 | |
| 35 | VOE 11039816 | | 1 | | | | | Lens | Lentille | Linse | Lente | Lins..... | 80931 | |
| 36 | VOE 4803455 | | 1 | | | | | Switch | Commutateur..... | Schalter..... | Contactador | Strömställare..... | 88) 80931 | |
| 37 | VOE 11039482 | | 1 | | | | | Lens | Lentille | Linse | Lente | Lins..... | 80931 | |
| 38 | VOE 4803806 | | 1 | | | | | Switch | Commutateur..... | Schalter..... | Contactador | Strömställare..... | 88) 80933 | |
| 39 | VOE 11039585 | | 1 | | | | | Lens | Lentille | Linse | Lente | Lins..... | 80933 | |
| 40 | VOE 11039151 | | 1 | | | | | Switch | Commutateur..... | Schalter..... | Contactador | Strömställare..... | 88) 80933 | |
| 41 | VOE 11039566 | | 1 | | | | | Lens | Lentille | Linse | Lente | Lins..... | 80933 | |
| 42 | VOE 11039380 | | 1 | | | | | Switch | Commutateur..... | Schalter..... | Contactador | Strömställare..... | 88) 80930 SW911 | |
| 43 | VOE 11039706 | | 1 | | | | | Lens | Lentille | Linse | Lente | Lins..... | 80930 | |

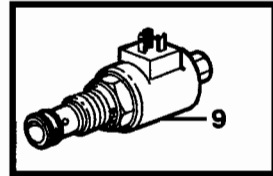
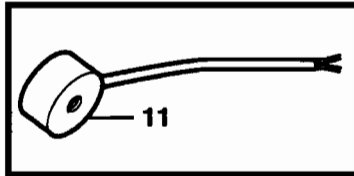
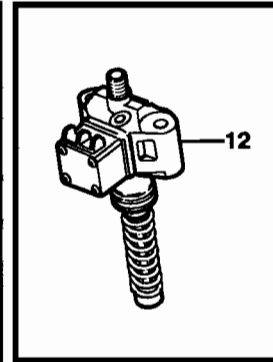
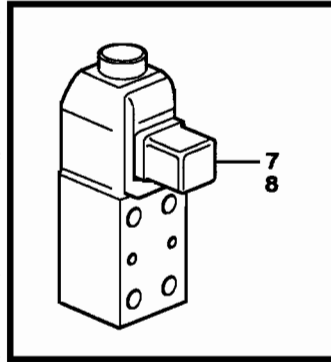
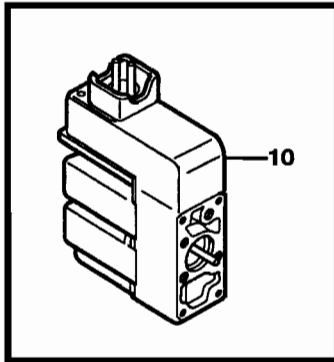
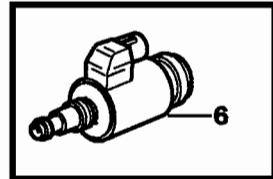
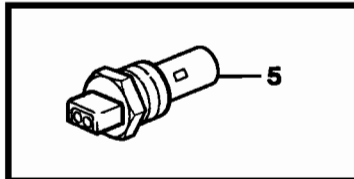
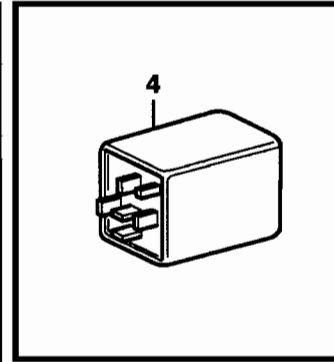
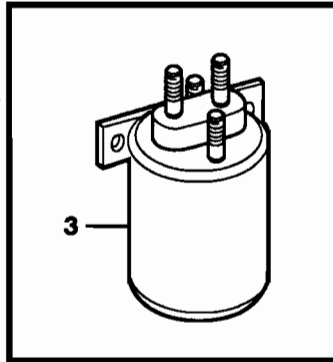
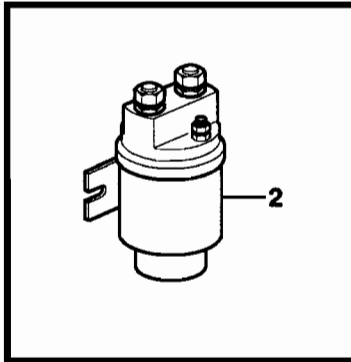
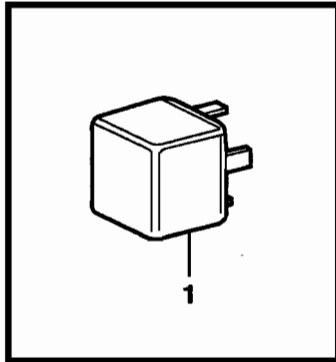
88) GB: The switch includes the bulb. FR: L'interrupteur comprennent une ampoule. DE: Die Glühlampe ist im Schalter enthalten. ES: La bombilla esta' en el interior del conmutador. SE: Glödlampan ingår i strömställaren.

1294) GB: Not included when cab is ordered FR: Non compris dans la commande de la cabine DE: Bei Bestellung mit Kabine nicht enthalten ES: No se incluye en el pedido SE: Ingår ej vid beställning av hytt

| | | | | |
|---|-----------|---|----------------|---------|
| 1 | 33277 | Strömbrytare Interruptor Schalter Interrupteur Switch | Catalogue id | Group |
| 2 | 1294) | | 20007 | 380 |
| 3 | OPEN ROPS | | Illustr. No | Section |
| 4 | 82790 | | 1016332 | 200 |
| 5 | 82875 | | Issue | Page |
| | | | VOE 63D9920007 | 363 |

VOLVO

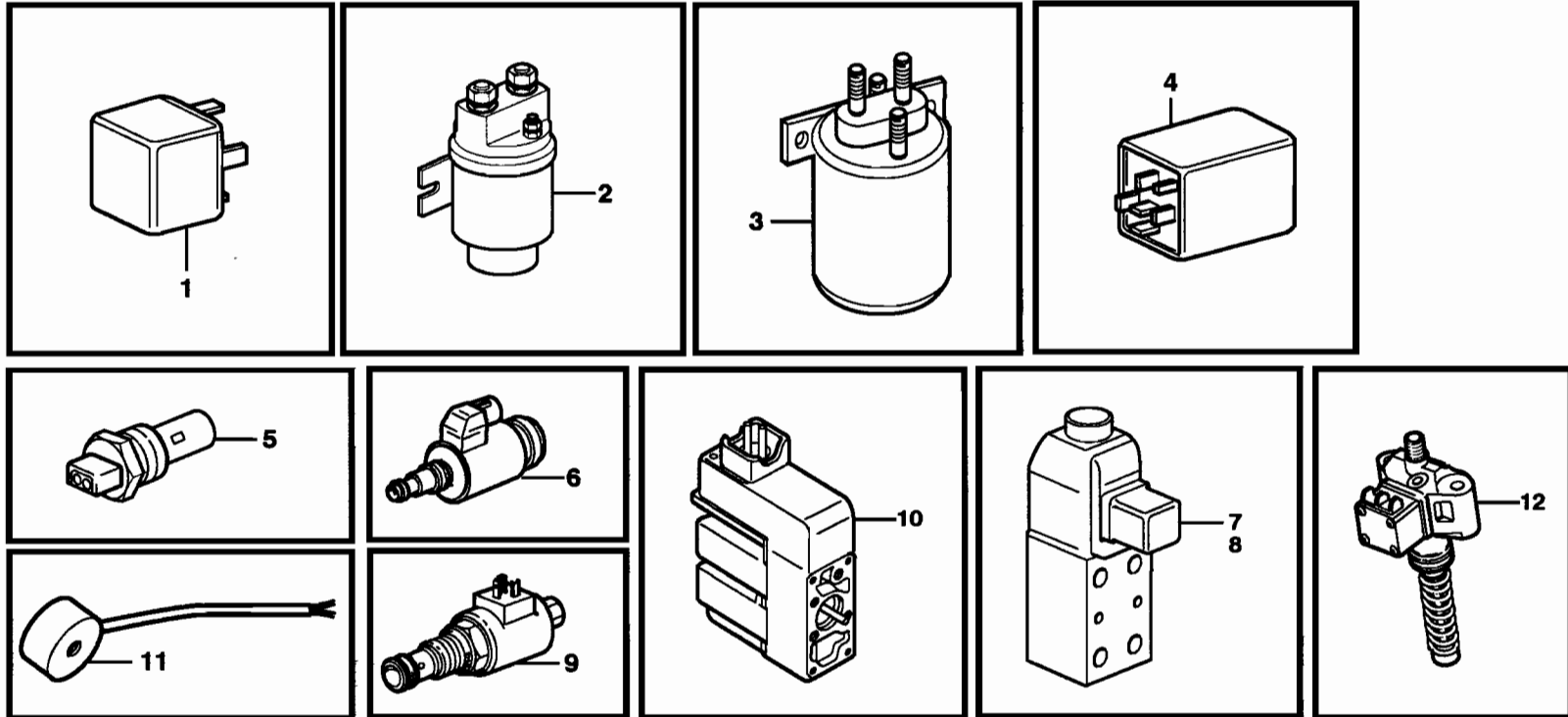
L90E



Valvo Construction
Equipment
1004285

| Fig. | Part No. | Quantity | | | P S | K I T | Description | Dénomination | Bezeichnung | Denominación | Benämning | Notes |
|------|--------------|----------|---|---|--------|---------------------------|-----------------------------|---------------------------|----------------------------|----------------------------|-------------------------|-------|
| | | 1 | 2 | 3 | | | | | | | | |
| 1 | VOE 20374662 | 1 | | | | Relay..... | Relais | Relais | Rele..... | Relä..... | RE1 | |
| | | | | | | •Tilt automatic | •Automatique redress..... | •Schwenkautomatik..... | •Automatismo volquet | •Tiltautomatik..... | See group 372, Page 297 | |
| | VOE 20374662 | 1 | | | | Relay..... | Relais | Relais | Rele..... | Relä..... | RE2 | |
| | | | | | | •15A-feed | •Alimentation 15A..... | •15A-speisung | •Alimentación 15A | •15A matning..... | See group 372, Page 297 | |
| | VOE 20374662 | 1 | | | | Relay..... | Relais | Relais | Rele..... | Relä..... | RE3 | |
| | | | | | | •Boom kickout | •Automatique levage | •Hubwerkautomatik | •Elevador automatico | •Lyftautomatik..... | See group 372, Page 297 | |
| | VOE 20374662 | 1 | | | | Relay..... | Relais | Relais | Rele..... | Relä..... | RE4 | |
| | | | | | | •15B-feed | •Alimentation 15B..... | •15B-speisung | •Alimentación 15B | •15B-matning..... | See group 372, Page 297 | |
| | VOE 20374662 | 1 | | | | Relay..... | Relais | Relais | Rele..... | Relä..... | RE5 | |
| | | | | | | •Intermit.wiper,rear..... | •Es.glace inter, Ar | •Pausenwischer,hint..... | •Limp.bris inter,tra | •Intervalltork. bak..... | See group 372, Page 297 | |
| | VOE 20374662 | 1 | | | | Relay..... | Relais | Relais | Rele..... | Relä..... | RE6 | |
| | | | | | | •Interm.wiper,front..... | •Es.glace inter Av | •Pausenwischer,vord..... | •Limp.bris inter, de | •Intervalltork. fram..... | See group 372, Page 297 | |
| | VOE 20374662 | 1 | | | | Relay..... | Relais | Relais | Rele..... | Relä..... | RE7 | |
| | | | | | | •Boom suspension | •Amort. vibration..... | •Schwing.dämpf | •Amort. vibracion..... | •Lastarmsfjädring, Bs..... | See group 372, Page 297 | |
| | VOE 20374662 | 1 | | | | Relay..... | Relais | Relais | Rele..... | Relä..... | RE8 | |
| | | | | | | •Start inhibitor | •Blocage demarr. | •Wiederhol Sperre..... | •Bloqueo arranqu | •Startspärr..... | See group 372, Page 297 | |
| | VOE 20374662 | 1 | | | | Relay..... | Relais | Relais | Rele..... | Relä..... | RE9 | |
| | | | | | | •Start inhibitor | •Blocage demarr. | •Wiederhol Sperre..... | •Bloqueo arranqu | •Startspärr..... | See group 372, Page 297 | |
| | VOE 20374662 | 1 | | | | Relay..... | Relais | Relais | Rele..... | Relä..... | RE10 | |
| | | | | | | •Work lights..... | •Eclairage de travail | •Arbeitsbeleuchtung | •Alumbrado de trabaj..... | •Arbetsbelysning..... | See group 372, Page 297 | |
| | VOE 20374662 | 1 | | | | Relay..... | Relais | Relais | Rele..... | Relä..... | RE11 | |
| | | | | | | •30-feed | •Alimentation 30 | •30-speisung | •Alimentación 30 | •30-matning..... | See group 372, Page 297 | |
| | VOE 20374662 | 1 | | | | Relay..... | Relais | Relais | Rele..... | Relä..... | RE12 | |
| | | | | | | •15EA-feed..... | •Alimentation 15EA | •15EA-speisung..... | •Alimentación 15EA..... | •15EA-matning..... | See group 372, Page 297 | |
| | VOE 20374662 | 1 | | | | Relay..... | Relais | Relais | Rele..... | Relä..... | RE602 | |
| | | | | | | •CDC-steering | •CDC-direction | •CDC-lenkurs | •CDC-dirección..... | •CDC-styrning..... | See group 882, Page 765 | |
| | VOE 20374662 | 1 | | | | Relay..... | Relais | Relais | Rele..... | Relä..... | RE803 | |
| | | | | | | •Operator seat..... | •Siege conducteur..... | •Fahrsitz..... | •Asiento conductor | •Förarstol..... | | |
| | VOE 20374662 | 1 | | | | Relay..... | Relais | Relais | Rele..... | Relä..... | RE804 | |
| | | | | | | •Park Brk Alarm | •Alarme Frein | •H Bremszeiger | •Alarma Freno | •Handbromsalarms..... | | |

| | | | | |
|---|--|---|-----------------------|------------|
| 1 | | Reläer, givare och magnetventiler, referenstabell Relé, sensores y electroválvula Relais, Geber und Magnetventil Relais, détecteurs et vanne électromagnétique Relays, sensors and solenoid valves, reference list | Catalogue id | Group |
| 2 | | | 20007 | 386 |
| 3 | | | Illustr. No | Section |
| 4 | | | 1004285 | 100 |
| 5 | | | Issue | Page |
| | | | VOE 63D9920007 | 365 |



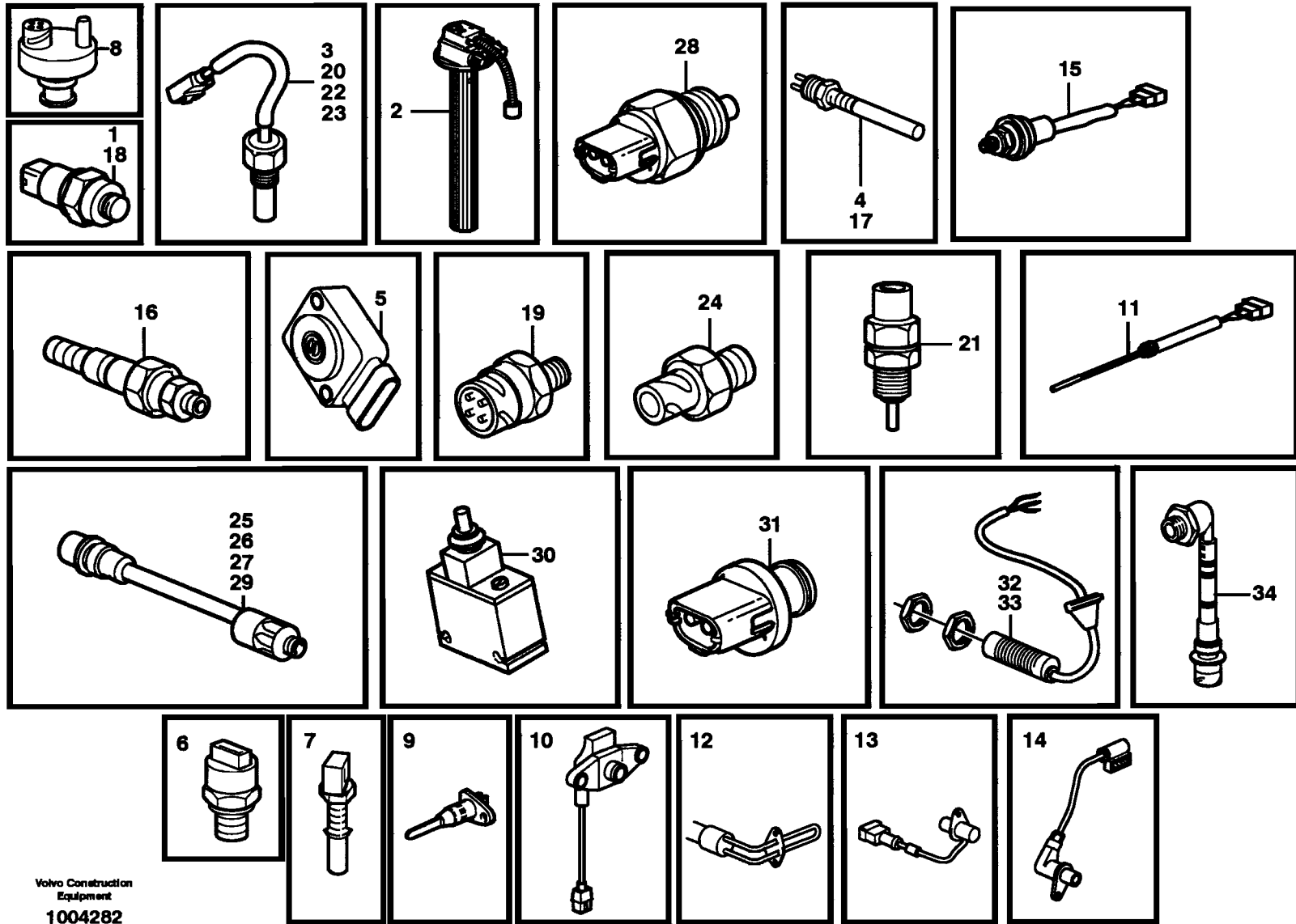
Valvo Construction
Equipment
1004285

| Fig. | Part No. | Quantity | | | P S | K I T | Description | Dénomination | Bezeichnung | Denominación | Benämning | Notes |
|------|--------------|----------|---|---|--------|-----------------|-----------------------|-------------------|----------------------|------------------|---|-------|
| | | 1 | 2 | 3 | | | | | | | | |
| 2 | VOE 20367490 | 1 | | | | Relay | Relais | Relais | Rele | Relä | RE2501 | |
| | | | | | | •Pre-heating | •Prechauffage | •Vorwärm | •Precalentamiento | •Fövärmning | See group 333, Page 169 | |
| 3 | VOE 11170048 | 1 | | | | Flasher Relay | Relais Clignot | Blinkrelais | Rele Intermit | Blinkrelä | RF1 | |
| | | | | | | •Flasher relay | •Relais clignotant | •Blinkrelais | •Rele intermitente | •Blinkrelä | See group 372, Page 297 | |
| 4 | VOE 4803319 | 1 | | | | Delay Relay | Relais Retarde | Verzöger Rel | Rele Retardo | Fördröjn.relä | RT802 | |
| | | | | | | •Park Brk Alarm | •Alarme Frein | •H Bremszeiger | •Alarma Freno | •Handbromsalarm | | |
| 5 | | | | | | Sensor | Captteur | Geber | Captador | Givare | See group 386, Page 369 | |
| 6 | VOE 11709879 | 1 | | | | Press Regulator | Regulateu Press | Druckregler | Regul Presion | Tryckregulator | MA202 | |
| | | | | | | •Central block | •Bloc centrale | •Zentralblock | •Bloque central | •Centralblock | See group 912, Page 823 | |
| 7 | VOE 11173166 | 1 | | | | Solenoid valve | Vanne electrom | Magnetventil | Electrovalvula | Magnetventil | MA407 | |
| | | | | | | •Diff. lock | •Blocage différentiel | •Ausgleichsperre | •Bloqueo diferencial | •Diffspärr | See group 468, Page 485 | |
| 8 | VOE 11173169 | 1 | | | | Solenoid valve | Vanne electrom | Magnetventil | Electrovalvula | Magnetventil | MA501 | |
| | | | | | | •Parking Brake | •Frein Parking | •Feststellbremse | •Freno Estacion | •Parkeringsbroms | See group 551, Page 519 | |
| 9 | VOE 11709633 | 1 | | | | Solenoid valve | Vanne electrom | Magnetventil | Electrovalvula | Magnetventil | MA502 | |
| | | | | | | •Central block | •Bloc centrale | •Zentralblock | •Bloque central | •Centralblock | See group 912, Page 823 | |
| 10 | VOE 11701852 | 1 | | | | Electronic unit | Unité électronique | Elektronikeinheit | Unidad electrón | Elektronikenhet | MA601 | |
| | | | | | | •CDC-steering | •CDC-direction | •CDC-lenkurs | •CDC-dirección | •CDC-styrning | See group 660, Page 569 | |
| 11 | VOE 11003153 | 1 | | | | Magnet | Aimant | Magnet | Iman | Magnet | MA901 | |
| | | | | | | •Tilt automatic | •Automatique redress | •Schwenkautomatik | •Automatismo volquet | •Tiltautomatik | See group 914, Page 839 | |
| | VOE 11003153 | 1 | | | | Magnet | Aimant | Magnet | Iman | Magnet | MA902 | |
| | | | | | | •Boom kickout | •Automatique levage | •Hubwerkautomatik | •Elevador automatico | •Lyftautomatik | See group 914, Page 839 | |
| | VOE 11003153 | 1 | | | | Magnet | Aimant | Magnet | Iman | Magnet | MA904 | |
| | | | | | | •Float position | •Position flottante | •Schwimmlage | •Posicion flotante | •Flytläge | See group 914, Page 839 | |
| 12 | VOE 20460075 | 6 | | | | Injection Pump | Pompe Injection | Einspritzpumpe | Bomba Injeccion | Insprutn.pump | MA2301 - MA2306 See group 237, Page 95 | |

| | | | | |
|---|--|---|----------------|---------|
| 1 | | Reläer, givare och magnetventiler, referenstabell Relé, sensores y electroválvula Relais, Geber und Magnetventil Relais, détecteurs et vanne électromagnétique Relays, sensors and solenoid valves, reference list | Catalogue id | Group |
| 2 | | | 20007 | 386 |
| 3 | | | Illustr. No | Section |
| 4 | | | 1004285 | 100 |
| 5 | | | Issue | Page |
| | | | VOE 63D9920007 | 367 |

VOLVO

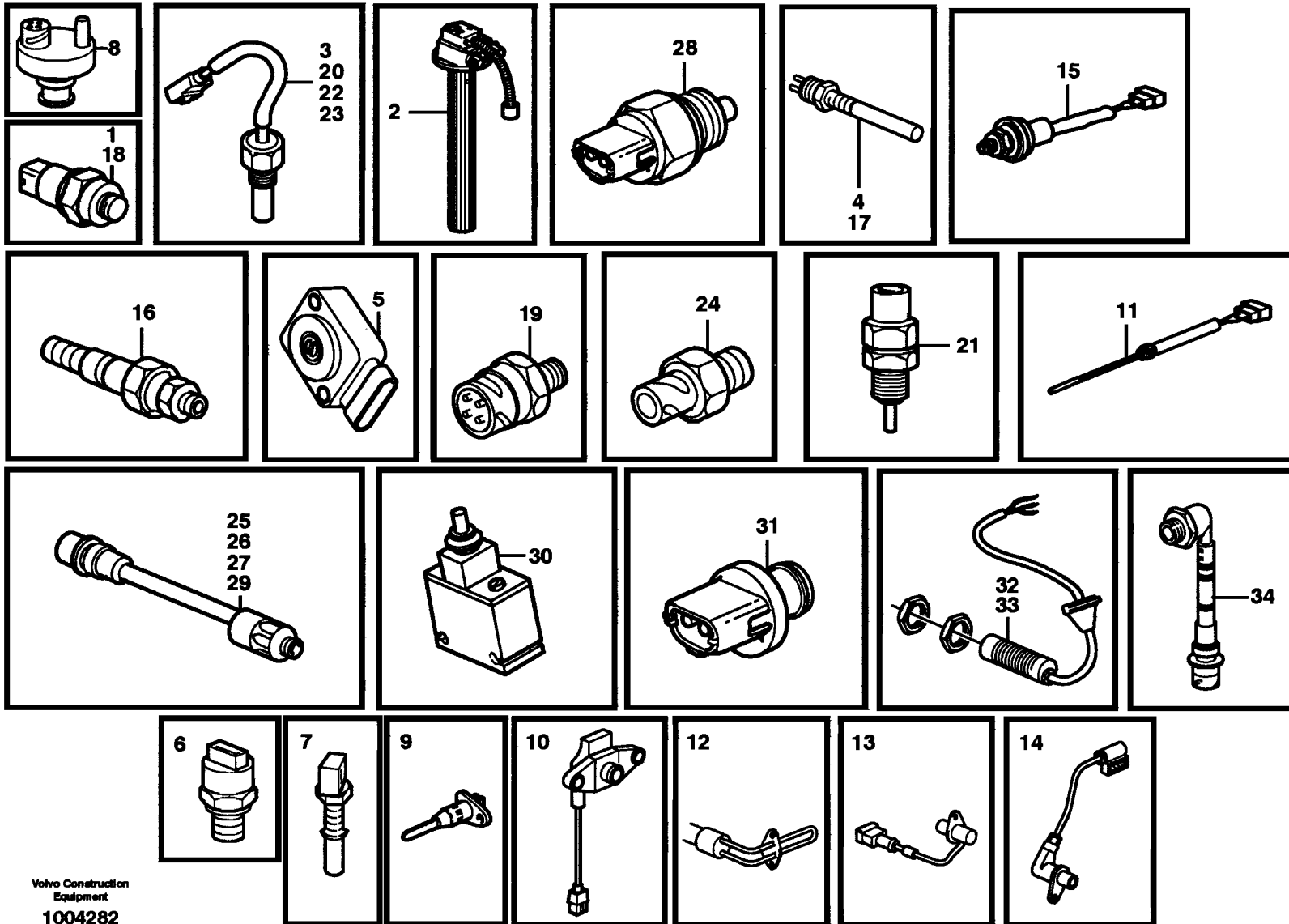
L90E



Volvo Construction
 Equipment
 1004282

| Fig. | Part No. | Quantity | | | P S | K I T | Description | Dénomination | Bezeichnung | Denominación | Benämning | Notes |
|------|--------------|----------|---|---|--------|-------------|---|----------------------------|---------------------------|---------------------------|-------------------------|----------------------------------|
| | | 1 | 2 | 3 | | | | | | | | |
| 1 | VOE 4780941 | 1 | | | | | Ind Sensor.....Emett.induction | Induktionsgeber..... | Sensor Inducc | Indukt.givare..... | SE201 | |
| | | | | | | | •Tachometer sensor...•Commande tachyme. | •Drehzahlschalter | •Sensor tacometro..... | •Varvtalsgivare..... | See group 421, Page 409 | |
| 2 | VOE 11039821 | 1 | | | | | Tank Unit.....Ensem.reservoir | Tankaggregat..... | Unidad Deposito..... | Tankaggregat..... | SE207 | |
| | | | | | | | •Fuel level | •Niveau carburant | •Kraftstoffstand..... | •Nivel de combust. | •Bränslenivå..... | See group 234, Page 83 |
| 3 | VOE 11039193 | 1 | | | | | Temp Sensor | Detecteur Temp. | Temperaturgeber | Sensor Temperat | Temp Givare..... | SE210 |
| | | | | | | | •Coolant temperature . | •Liquide refroi.temp. ... | •Kühlfussigkeit temp. ... | •Anticongelente temp. . | •Kylvätsketemperatur. | See group 261, Page 113 |
| 4 | VOE 11039557 | 1 | | | | | Ind Sensor.....Emett.induction | Induktionsgeber..... | Sensor Inducc | Indukt.givare..... | SE211 | |
| | | | | | | | •Fan | •Ventilateur..... | •Gebälse..... | •Ventilador..... | •Fläkt..... | See group 263, Page 127 |
| 5 | VOE 11708270 | 1 | | | | | Sensor.....Capteur | Geber | Captador | Givare..... | SE214 | |
| | | | | | | | •Accel pedal | •Pedale acceler. | •Gaspedal..... | •Pedal acelerad | •Gaspedal..... | See group 271, Page 141 |
| 6 | VOE 20450687 | 1 | | | | | Sensor.....Capteur | Geber | Captador | Givare..... | SE2203 | |
| | | | | | | | •Engine oil pressure ... | •Contact huile, moteu. . | •Motoröldruck | •Presion aceite, moto . | •Motoroljetryck..... | See group 371, Page 203 |
| 7 | VOE 20450685 | 2 | | | | | Sensor.....Capteur | Geber | Captador | Givare..... | SE2306, SE2606 | |
| | | | | | | | •Temperature sensor . | •Detecteur temperatu. . | •Temperaturgeber | •Sensor temperatura .. | •Temperaturgivare..... | See group 371, Page 203 |
| | | | | | | | •Temperature sensor . | •Detecteur temperatu. . | •Temperaturgeber | •Sensor temperatura .. | •Temperaturgivare..... | SE2606 |
| | | | | | | | | | | | See group 237, Page 95 | |
| 8 | VOE 20560843 | 1 | | | | | Vacuum Switch | Contact Depres. | Vakuumschalter | Contacto Vacio..... | Vakuumkontakt..... | (VOE 20409365) SE2501, SE2502 |
| | | | | | | | •Temperature gauge .. | •Indicateur de temp. ... | •Temperaturanzeiger.. | •Termometro anticon.. | •Temperaturmätare.... | See group 256, Page 103 |
| 9 | VOE 20450695 | 1 | | | | | Temp Sensor | Detecteur Temp. | Temperaturgeber | Sensor Temperat | Temp Givare..... | SE2507 |
| | | | | | | | •Charge-air temperat . | •Température d'air de. . | •Ladelufttemperatur.... | •Temperatura del aire. . | •Laddlufttemperatur.... | See group 371, Page 203 |
| 10 | VOE 20450693 | 1 | | | | | Sensor.....Capteur | Geber | Captador | Givare..... | SE2508 | |
| | | | | | | | •Boost pressure | •Pression d'air de refr. . | •Ladeluftdruck | •Presión del aire de a. . | •Laddlufttruck..... | See group 371, Page 203 |
| 11 | VOE 11170064 | 1 | | | | | Level Guard | Temoin Niveau | Niveauwächter | Monitor Nivel | Nivåvakt..... | SE2603 |
| | | | | | | | •Coolant level..... | •Liquid.refroid.niveau . | •Kühlfussigk. Niveau .. | •Anticongel. nivel..... | •Kylvätskenivå..... | See group 261, Page 111 |
| 12 | VOE 20450685 | 1 | | | | | Sensor.....Capteur | Geber | Captador | Givare..... | | |
| 13 | VOE 20450707 | 1 | | | | | Tachometer sensor.... | Commande tachymet. | Drehzahlschalter | Sensor tacometro..... | Varvtalsgivare..... | SE2701 |
| | | | | | | | •Engine speed..... | •Vitesse d'utilisation . | •Motordrehzahl..... | •Número revolucione.. | •Motorvarvtal..... | See group 371, Page 203 |
| 14 | VOE 20482772 | 1 | | | | | Sensor.....Capteur | Geber | Captador | Givare..... | SE2703 | |
| | | | | | | | •Camshaft speed | •Nombre rot. Arbre ca | •Nockenwelledrehzah. | •Núm.revol.arbol lev ... | •Kamaxelvarvtal..... | See group 371, Page 203 |

| | | | | |
|---|--|--|-----------------------|------------|
| 1 | | Givare, referenstabell | Catalogue id | Group |
| 2 | | Sensores, table de referencia | 20007 | 386 |
| 3 | | Geber, Bezugstabelle | Illustr. No | Section |
| 4 | | Détecteurs, tableau de références | 1004282 | 150 |
| 5 | | Sensors, reference list | Issue | Page |
| | | | VOE 63D9920007 | 369 |



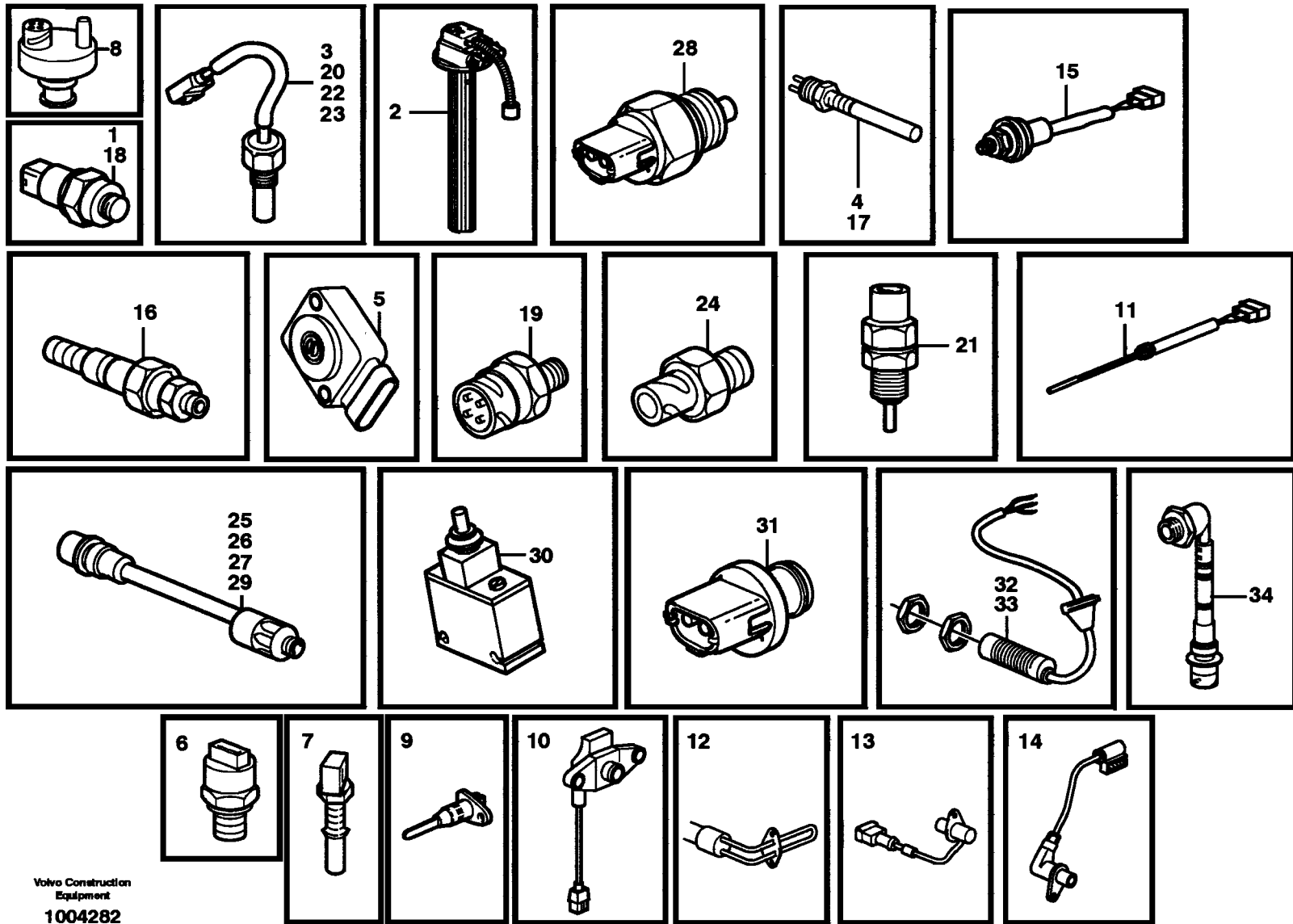
Volvo Construction
 Equipment
 1004282

| Fig. | Part No. | Quantity | | | P S | K I T | Description | Dénomination | Bezeichnung | Denominación | Benämning | Notes |
|------|--------------|----------|---|---|--------|--------------------------|---------------------------|-------------------------|--------------------------|------------------------|-------------------------|-------|
| | | 1 | 2 | 3 | | | | | | | | |
| 15 | VOE 11039617 | 1 | | | | Press Monitor..... | Capteu.pression..... | Druckwächter..... | Avisador Pres..... | Tryckvakt..... | SE301 | |
| | | | | | | •Brake light..... | •Feu de stop..... | •Bremslicht..... | •Luz de freno..... | •Bromsljus..... | See group 522, Page 507 | |
| 16 | VOE 11705881 | 1 | | | | Sensor..... | Capteur..... | Geber..... | Captador..... | Givare..... | SE401 | |
| | | | | | | •Filter indicator..... | •Filtre indicateur..... | •Filterindikator..... | •Filtro indicador..... | •Filterindikator..... | See group 421, Page 411 | |
| 17 | VOE 11039557 | 1 | | | | Ind Sensor..... | Emett.induction..... | Induktionsgeber..... | Sensor Inducc..... | Indukt.givare..... | SE402 | |
| | | | | | | •Turbine speed..... | •Nombre rot. turbine...• | •Turbine drehzahl..... | •Número rev. turbina..• | •Turbinvarvtal..... | See group 421, Page 409 | |
| 18 | VOE 4780941 | 1 | | | | Ind Sensor..... | Emett.induction..... | Induktionsgeber..... | Sensor Inducc..... | Indukt.givare..... | SE403 | |
| | | | | | | •Tachometer sensor...• | •Commande tachyme.• | •Drehzahlschalter..... | •Sensor tacometro..... | •Varvtalsgivare..... | See group 434, Page 447 | |
| 19 | VOE 11039574 | 1 | | | | Pressure Sensor..... | Detect.pression..... | Druckmelder..... | Sensor Presion..... | Tryckgivare..... | SE405 | |
| | | | | | | •Oil pressure sensor ..• | •Manocontact huile..... | •Öldruckschalter..... | •Emisor presion Aceit.• | •Oljetrycksgivare..... | See group 421, Page 435 | |
| 20 | VOE 11039193 | 1 | | | | Temp Sensor..... | Detecteur Temp..... | Temperaturgeber..... | Sensor Temperat..... | Temp Givare..... | SE406 | |
| | | | | | | •Hydraulic oil temp..... | •Temp de huile hydra. • | •Hydraulöltemp..... | •Temp oilo hidraulico..• | •Hyderauloljetemp..... | See group 421, Page 433 | |
| 21 | VOE 11039219 | 1 | | | | Contact..... | Contact..... | Kontakt..... | Contacto..... | Kontakt..... | SE408 | |
| | | | | | | •Differential lock..... | •Blocage différentiel...• | •Ausgleichsperre..... | •Bloqueo diferencial...• | •Differentialspär..... | See group 468, Page 483 | |
| 22 | VOE 11039193 | 1 | | | | Temp Sensor..... | Detecteur Temp..... | Temperaturgeber..... | Sensor Temperat..... | Temp Givare..... | SE410 | |
| | | | | | | •Front axle, temp..... | •Essieu AV, temp..... | •Vorderachse, temp....• | •Eje delantero, temp...• | •Framaxel, temp..... | See group 461, Page 465 | |
| 23 | VOE 11039193 | 1 | | | | Temp Sensor..... | Detecteur Temp..... | Temperaturgeber..... | Sensor Temperat..... | Temp Givare..... | SE411 | |
| | | | | | | •Rear axle..... | •Essieu AR..... | •Hinterachse..... | •Eje trasero..... | •Bakaxel..... | See group 463, Page 475 | |
| 24 | VOE 11039577 | 1 | | | | Pressure Sensor..... | Detect.pression..... | Druckmelder..... | Sensor Presion..... | Tryckgivare..... | SE501 | |
| | | | | | | •Brake pressure..... | •Pression freinage..... | •Bremsdruck..... | •Presión frenos..... | •Bromstryck..... | See group 522, Page 507 | |
| 25 | VOE 11170072 | 1 | | | | Press Monitor..... | Capteu.pression..... | Druckwächter..... | Avisador Pres..... | Tryckvakt..... | SE502 | |
| | | | | | | •Brake pressure..... | •Pression freinage..... | •Bremsdruck..... | •Presión frenos..... | •Bromstryck..... | See group 527, Page 517 | |
| 26 | VOE 11170071 | 1 | | | | Press Monitor..... | Capteu.pression..... | Druckwächter..... | Avisador Pres..... | Tryckvakt..... | SE503 | |
| | | | | | | •Parking brake..... | •Frein parking..... | •Feststellbremse..... | •Freio estacion..... | •Parkeringsbroms..... | See group 551, Page 519 | |
| 27 | VOE 11170090 | 1 | | | | Press Monitor..... | Capteu.pression..... | Druckwächter..... | Avisador Pres..... | Tryckvakt..... | SE504 | |
| | | | | | | •Brake press charge ..• | •Charg.press.frein..... | •Bremsdruckaufladun. • | •Carga pres. frenos....• | •Bromstrycksladdnin..• | See group 527, Page 517 | |
| 28 | VOE 1594043 | 1 | | | | Switch..... | Interrupteur..... | Ausschalter..... | Interruptor..... | Strömställare..... | SE601 | |
| | | | | | | •Aux Steering..... | •Direct Secours..... | •Hilfslenkung..... | •Dir Reserva..... | •Reservstyrning..... | See group 647, Page 563 | |
| 29 | VOE 11170079 | 1 | | | | Press Monitor..... | Capteu.pression..... | Druckwächter..... | Avisador Pres..... | Tryckvakt..... | SE602 | |
| | | | | | | •Aux Steering..... | •Direct Secours..... | •Hilfslenkung..... | •Dir Reserva..... | •Reservstyrning..... | | |

| | | | | |
|---|--|--|-----------------------|------------|
| 1 | | Givare, referenstabell Sensores, table de referencia Geber, Bezugstabelle Détecteurs, tableau de références Sensors, reference list | Catalogue id | Group |
| 2 | | | 20007 | 386 |
| 3 | | | Illustr. No | Section |
| 4 | | | 1004282 | 150 |
| 5 | | | Issue | Page |
| | | | VOE 63D9920007 | 371 |

VOLVO

L90E



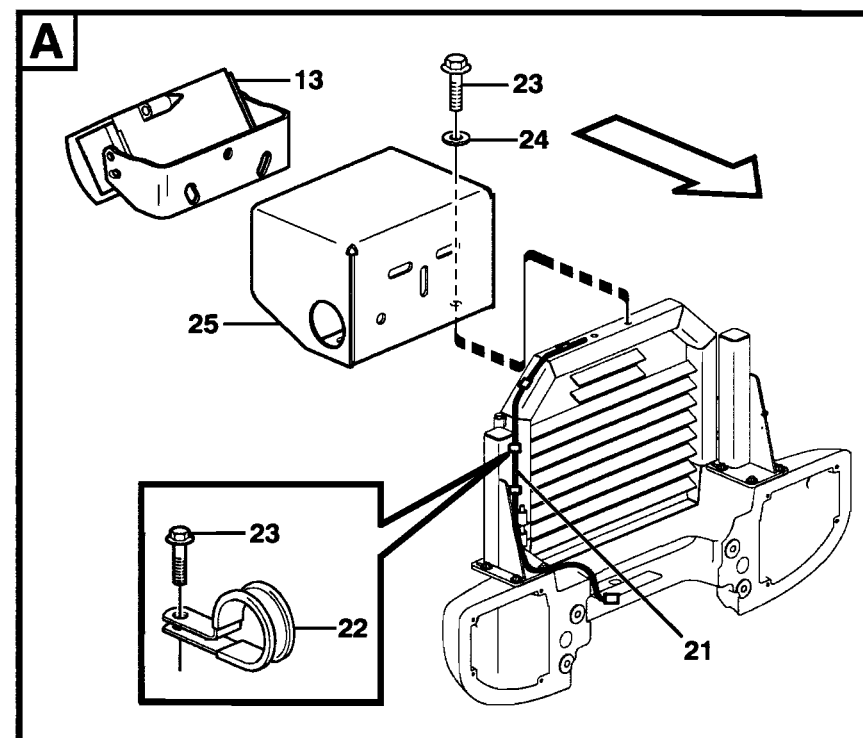
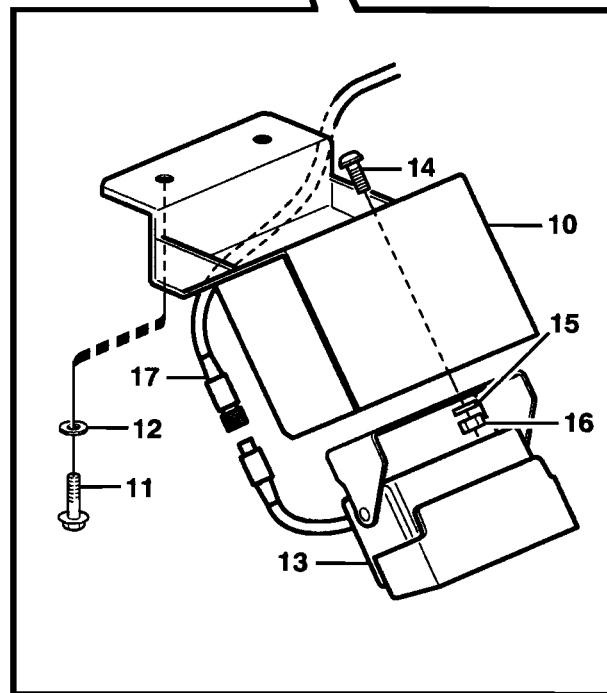
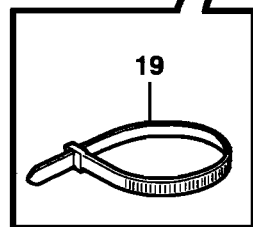
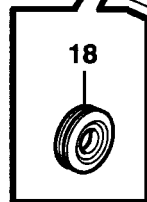
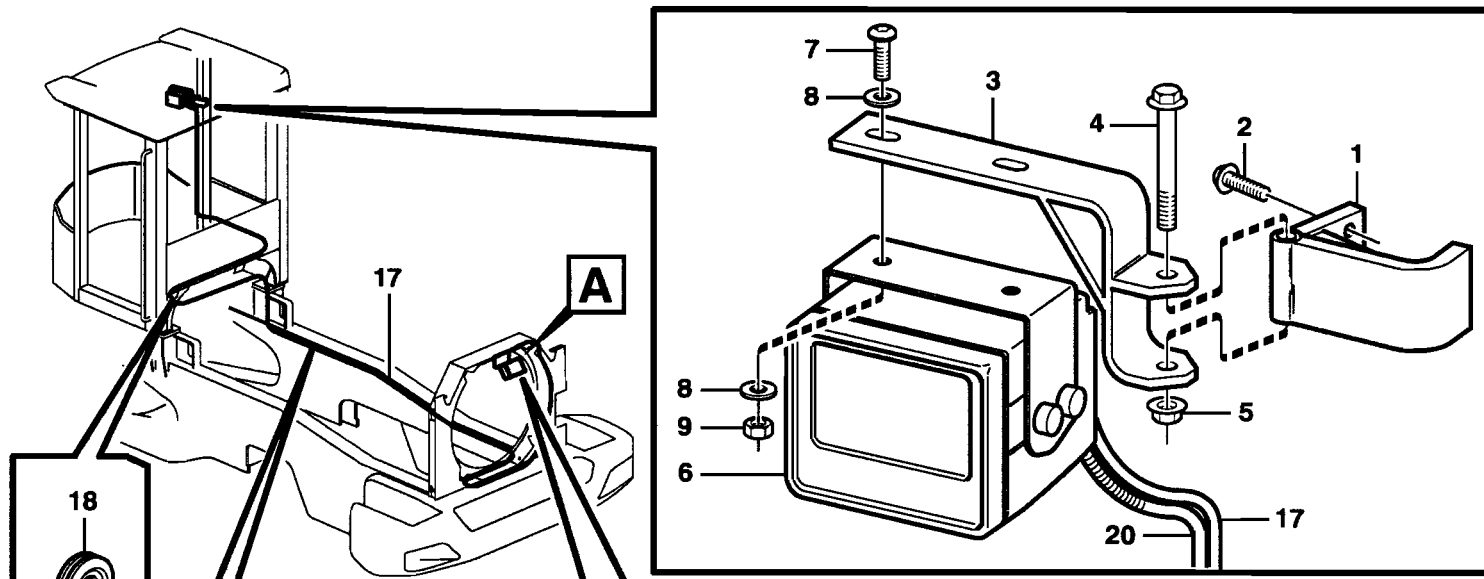
Volvo Construction
 Equipment
 1004282

| Fig. | Part No. | Quantity | | | P S | K I T | Description | Dénomination | Bezeichnung | Denominación | Benämning | Notes |
|------|--------------|----------|---|---|--------|---------------------------|-------------------------|------------------------|------------------------|-----------------------|-------------------------|-------|
| | | 1 | 2 | 3 | | | | | | | | |
| 30 | VOE 11007955 | 1 | | | | Control Lever | Levier Commande..... | Bedienungshebel | Palanca Mando | Manöverspak..... | SE603 | |
| | | | | | | •CDC-steering | •CDC-direction | •CDC-lenkurs | •CDC-dirección..... | •CDC-styrning..... | See group 882, Page 765 | |
| 31 | VOE 1347010 | 1 | | | | Temp Sensor | Decteur Temp. | Temperaturgeber | Sensor Temperat | Temp Givare..... | SE807 | |
| | | | | | | •Cab | •Cabine | •Kabine..... | •Cabina..... | •Hytt..... | See group 371, Page 241 | |
| 32 | VOE 11112903 | 1 | | | | Ind Sensor..... | Emett.induction | Induktionsgeber..... | Sensor Inducc | Indukt.givare..... | SE901 | |
| | | | | | | •Tilt automatic | •Automatique redress. | •Schwenkautomatik.... | •Automatismo volquet | •Tiltautomatik..... | See group 945, Page 903 | |
| 33 | VOE 11112903 | 1 | | | | Ind Sensor..... | Emett.induction | Induktionsgeber..... | Sensor Inducc | Indukt.givare..... | SE902 | |
| | | | | | | •Boom kickout | •Automatique levage .. | •Hubwerkautomatik | •Elevador automatico . | •Lyftautomatik..... | See group 945, Page 903 | |
| 34 | VOE 11039725 | 1 | | | | Level Indicator..... | Indicateur de niveau... | Niveauanzeige | Indicador Nivel | Nivåindikator..... | SE906 | |
| | | | | | | •Hydraulic oil level..... | •Detecteur, niveau..... | •Fullstandgeber | •Emisornivel | •Hydrauloljenivå..... | See group 911, Page 795 | |

| | | | | |
|---|--|--|----------------|------------|
| 1 | | Givare, referenstabell Sensores, table de referencia Geber, Bezugstabelle Détecteurs, tableau de références Sensors, reference list | Catalogue id | Group |
| 2 | | | 20007 | 386 |
| 3 | | | Illustr. No | Section |
| 4 | | | 1004282 | 150 |
| 5 | | | Issue | Page |
| | | VOE 63D9920007 | 373 | |

VOLVO

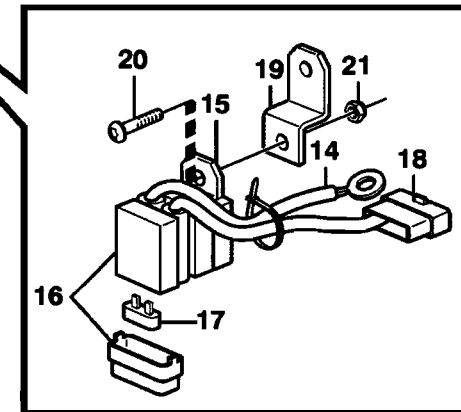
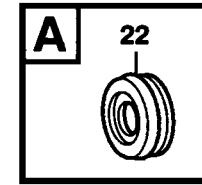
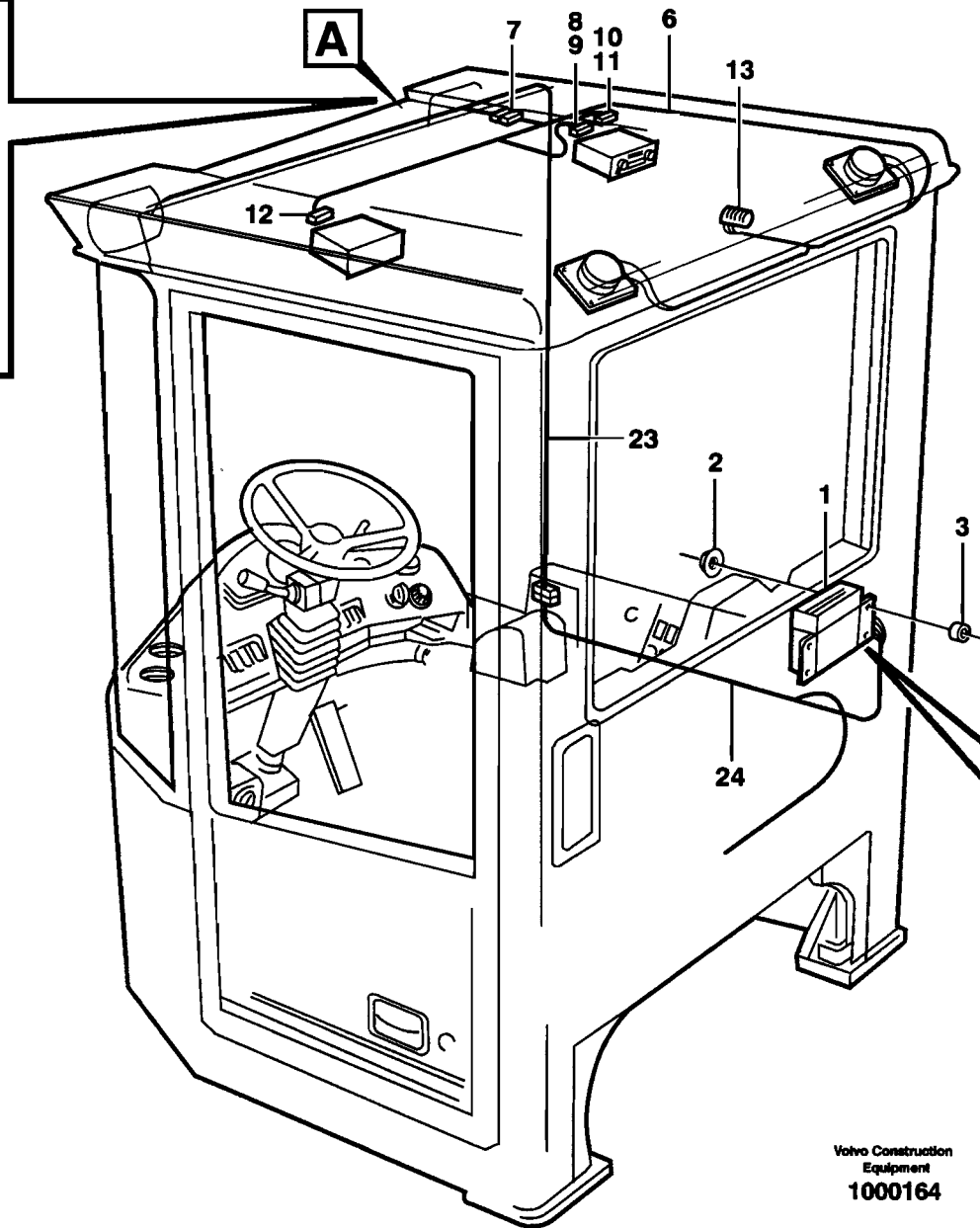
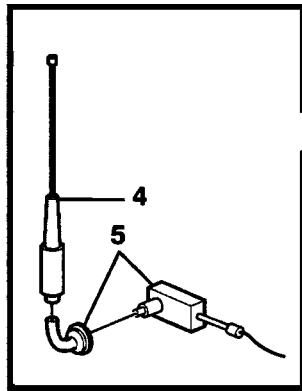
L90E



Volvo Construction
Equipment
1008477

| Fig. | Part No. | Quantity | | | P S | K I T | Description | Dénomination | Bezeichnung | Denominación | Benämning | Notes |
|------|--------------|----------|---|---|--------|----------------------|--------------------------|-----------------------|-----------------------|----------------------|-------------------------|-------|
| | | 1 | 2 | 3 | | | | | | | | |
| 1 | VOE 11174720 | 1 | | | | Anchorage..... | Fixation | Halterung..... | Fijacion..... | Fäste..... | | |
| 2 | VOE 13945444 | 2 | | | | Flange screw..... | Vis à bride | Flanschschraube | Torn embridado..... | Flänsskruv..... | | |
| 3 | VOE 11174716 | 1 | | | | Bracket..... | Console | Konsole | Consola | Konsol..... | | |
| 4 | VOE 13965181 | 1 | | | | Flange screw..... | Vis à bride | Flanschschraube | Torn embridado..... | Flänsskruv..... | | |
| 5 | VOE 948645 | 1 | | | | Flange Lock Nut..... | Contre écrou bride | Flanschmutter | Contratuer Embr..... | Flänslåsmutter..... | | |
| 6 | VOE 11113951 | 1 | | | | Monitor..... | Moniteur | Monitor | Monitor | Monitor..... | | |
| 7 | VOE 969407 | 2 | | | | 6-pt skt screw..... | Vis creuse de 6 | Hohlschraube | Racor 6-dientes | Sextandhålskruv..... | | |
| 8 | VOE 13960138 | 4 | | | | Washer..... | Rondelle | Scheibe | Arandela | Bricka..... | | |
| 9 | VOE 13965483 | 2 | | | | Flange Lock Nut..... | Contre écrou bride | Flanschmutter | Contratuer Embr..... | Flänslåsmutter..... | | |
| 10 | VOE 11413323 | 1 | | | | Anchorage..... | Fixation | Halterung..... | Fijacion..... | Fäste..... | (VOE 11174679) | |
| 11 | VOE 13945444 | 2 | | | | Flange screw..... | Vis à bride | Flanschschraube | Torn embridado..... | Flänsskruv..... | | |
| 12 | VOE 13960141 | 2 | | | | Washer..... | Rondelle | Scheibe | Arandela | Bricka..... | | |
| 13 | VOE 11114903 | 1 | | | | Camera | Caméra | Kamera..... | Cámara | Kamera..... | | |
| 14 | VOE 971306 | 2 | | | | Screw..... | Vis | Schraube..... | Tornillo | Skruv..... | | |
| 15 | VOE 13960138 | 2 | | | | Washer..... | Rondelle | Scheibe | Arandela | Bricka..... | | |
| 16 | VOE 13965483 | 2 | | | | Flange Lock Nut..... | Contre écrou bride | Flanschmutter | Contratuer Embr..... | Flänslåsmutter..... | | |
| 17 | VOE 11170023 | 1 | | | | Cable..... | Cable..... | Kabel..... | Cable | Kabel..... | | |
| 18 | VOE 961970 | 1 | | | | Plug..... | Bouchon..... | Stopfen..... | Tapon | Plugg..... | OD = 32 MM | |
| | VOE 943920 | 1 | | | | Plug..... | Bouchon..... | Stopfen..... | Tapon | Plugg..... | OD = 40 MM | |
| 19 | VOE 4881440 | REQ | | | | Strip Clamp | Ruban Serrage..... | Kabelbinder | Abraz Cinta | Bandklamma..... | | |
| 20 | | 1 | | | | Wire harness..... | Faisceau cables | Kabelbaum | Manojo cables | Ledningsmatta..... | See group 371, Page 287 | |
| 21 | VOE 190993 | REQ | | | | Hose..... | Durit | Schlauch | Tubo flexible..... | Slang..... | L = 1780MM | |
| 22 | VOE 952637 | 5 | | | | Clamp..... | Pince Serrage | Klemme | Abrazadera..... | Klämma..... | | |
| 23 | VOE 13946544 | 7 | | | | Flange screw..... | Vis à bride | Flanschschraube..... | Torn embridado..... | Flänsskruv..... | | |
| 24 | VOE 960139 | 2 | | | | Washer..... | Rondelle | Scheibe | Arandela | Bricka..... | | |
| 25 | VOE 11180688 | 1 | | | | Ptct Plate..... | Plaque Protect | Schutzplatte | Placa Protecc | Skyddsplatta..... | | |

| | | | | |
|---|--|--|-----------------------|------------|
| 1 | | Kamera inklusive monitor. Cámara incluso pantalla. Kamera einschliesslich Monitor. Appareil inlus moniteur. Camera inclusive monitor. 82178 | Catalogue id | Group |
| 2 | | | 20007 | 390 |
| 3 | | | Illustr. No | Section |
| 4 | | | 1008477 | 100 |
| 5 | | | Issue | Page |
| | | | VOE 63D9920007 | 375 |



Volvo Construction
Equipment
1000164

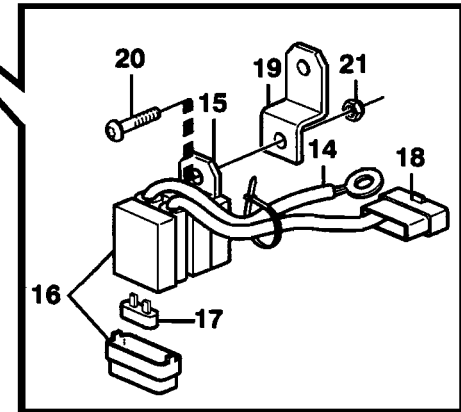
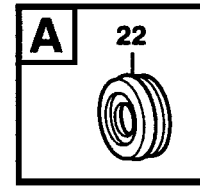
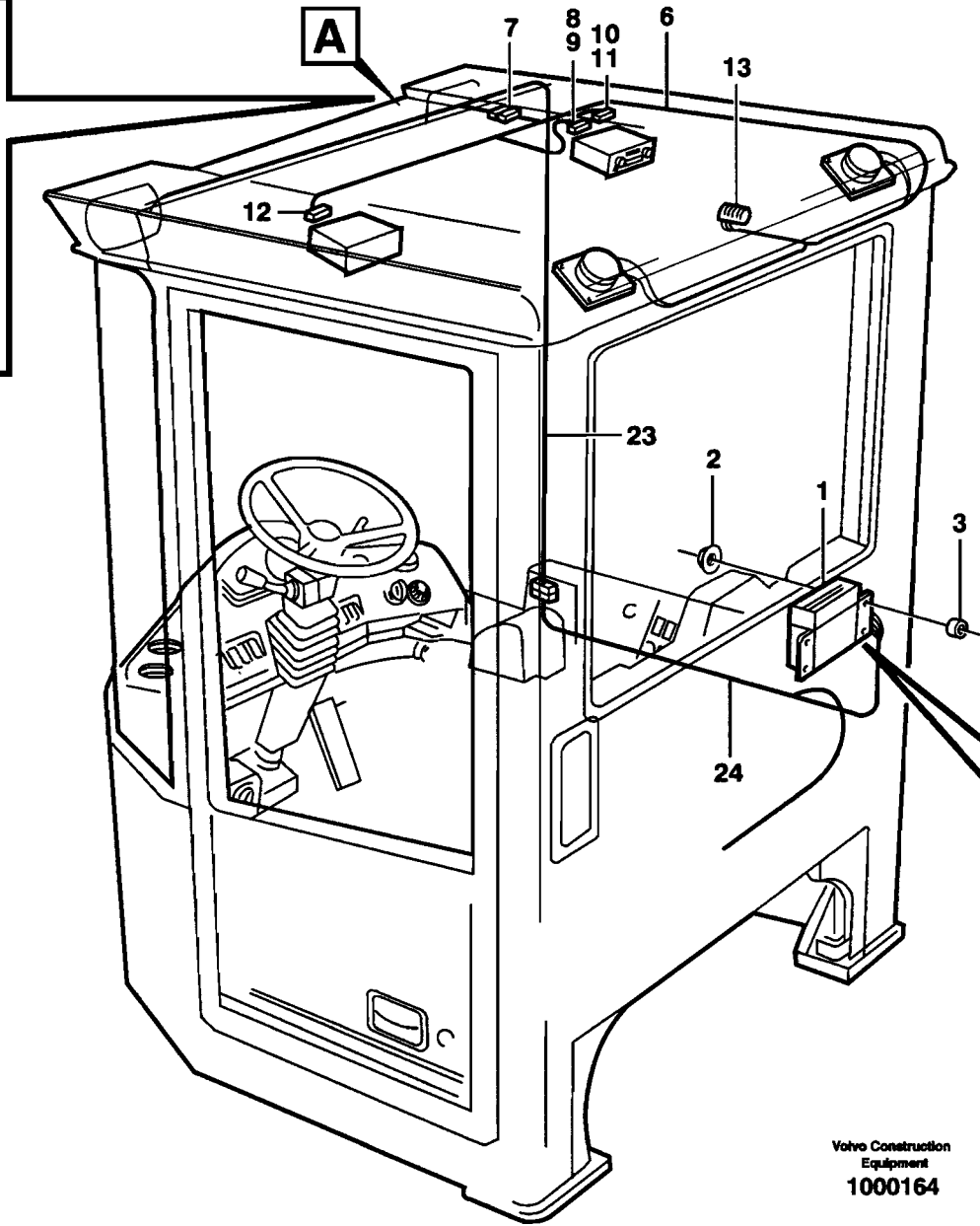
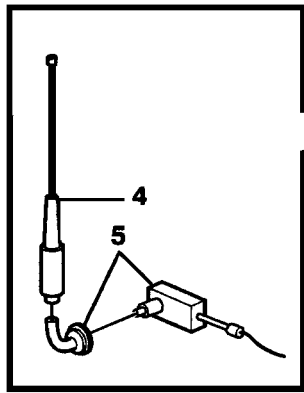
| Fig. | Part No. | Quantity | | | P S | K I T | Description | Dénomination | Bezeichnung | Denominación | Benämning | Notes |
|------|--------------|----------|---|---|--------|-----------------------|-----------------------|------------------------|------------------------|-----------------------|-----------|-------|
| | | 1 | 2 | 3 | | | | | | | | |
| 1 | VOE 20455097 | 1 | | | SS | V Converter..... | Transformateur | Transformator..... | Transformador..... | Spänningsomv..... | | |
| 2 | VOE 13945407 | 4 | | | | Nut | Ecrou..... | Mutter..... | Tuerca | Mutter..... | | |
| 3 | VOE 11006880 | 4 | | | | Spacer Sleeve..... | Douil.entretoise..... | Distanzhülse..... | Manguito Dist | Distanshylsa..... | | |
| 4 | VOE 1083597 | 1 | | | | Antenna..... | Antenne..... | Antenne..... | Antena | Antenn..... | | |
| 5 | VOE 11006079 | 1 | | | | Antenna Base | Fixat. Antenne..... | Antennenhalter..... | Fijacion Antena | Antennfäste..... | | |
| 6 | VOE 11040771 | 1 | | | | Cable harness..... | Faisceau cables | Kabelbaum | Manojo cables | Ledningsmatta..... | 1245) | |
| | | | | | | •CONNECTED TO: | •CONNECTÉ A: | •ANGESCHLOSSEN: | •CONECTADO A: | •ANSLUTER TILL: | | |
| | | | | | | ••Feeding | ••Alimentation | ••Zuführung | ••Alimentacion | ••Matning | CR | |
| | | | | | | ••Radio | ••Radio | ••Radio | ••Radio | ••Radio | | |
| | | | | | | ••Communication rad | ••Radio comunicati | ••Wechselsprechgerä | ••Radio telefono | ••Kommunikationsra | CRC, 14V | |
| | | | | | | ••Speaker | ••Haut-parleur | ••Lautsprecher | ••Altavoz | ••Högtalare | RH | |
| | | | | | | ••Speaker | ••Haut-parleur | ••Lautsprecher | ••Altavoz | ••Högtalare | LH | |
| | | | | | | ••Power outlet | ••Prise électrique | ••Steckdose | ••Toma eléctrica | ••Eluttag | CRD | |
| 7 | | 1 | | | NS | •Housing | •Carter..... | •Gehäuse | •Carter | •Hus..... | | |
| 8 | VOE 9130224 | 1 | | | | •Insulator..... | •Isolateur..... | •Isolator | •Aislador | •Isolator..... | 14 POL | |
| 9 | VOE 9130230 | 5 | | | | •Cable terminal | •Cosse cable | •Flachsteckhülse | •Terminal cable | •Ledningssko..... | | |
| 10 | VOE 9130220 | 1 | | | | •Rcpt Housing | •Douille Isolan. | •Steckbuchse | •Aislador Mangui | •Hylsisolator..... | 10 POL | |
| 11 | VOE 11704652 | 4 | | | | •Cable terminal | •Cosse cable | •Flachsteckhülse | •Terminal cable | •Ledningssko..... | | |
| 12 | VOE 13948996 | 1 | | | | •Insulator..... | •Isolateur..... | •Isolator | •Aislador | •Isolator..... | | |
| 13 | VOE 13958210 | 1 | | | | •Rcpt Housing | •Douille Isolan. | •Steckbuchse | •Aislador Mangui | •Hylsisolator..... | | |
| 14 | VOE 11148477 | 1 | | | | Cable harness..... | Faisceau cables | Kabelbaum | Manojo cables | Ledningsmatta..... | 1245) | |
| 15 | VOE 11039713 | 1 | | | | •Bracket | •Console..... | •Konsole..... | •Consola..... | •Konsol..... | | |
| 16 | VOE 11039714 | 1 | | | | •Fuse Holder | •Porte fusible..... | •Sicherungshalter..... | •Porta-fusible..... | •Säkringshållare..... | | |
| 17 | VOE 13969160 | 1 | | | | •Fuse..... | •Fusible | •Schmelzsicherung..... | •Fusible | •Smältsäkring..... | 5A | |
| 18 | VOE 1307049 | 1 | | | | •Pin Housing | •Fiche Isolante | •Rundstecker..... | •Aislad Clavija | •Stiftisolator..... | | |
| 19 | VOE 11006104 | 1 | | | | Anchorage..... | Fixation | Halterung..... | Fijacion | Fäste..... | | |
| 20 | VOE 969407 | 1 | | | | 6-pt skt screw..... | Vis creuse de 6 | Hohlschraube | Racor 6-dientes..... | Sextandhålskruv..... | | |

1245) GB: Including parts: Wire assembly, hose, manifold, cable terminal and isulator See Group 379. FR: Article: cable, flexible, tubulure, cosse cable y isolant. See Group 379 DE: Artikeln: El leitung, Schlauch, Verzweigung, Kabelschuh und Isolator. See Group 379. ES: Articulo: cable, manguera, bifurcacion, terminal cable et aislador. See Group 379. SE: Artiklar: ledning, slang, förgrening, ledningssko och isolator. See Group 379

| | | | | |
|---|--|-------------------------------------|----------------|------------|
| 1 | | Ledningsmatta för radio | Catalogue id | Group |
| 2 | | Manojos decables, para radio | 20007 | 393 |
| 3 | | Kabelbäume für radio | Illustr. No | Section |
| 4 | | Faisceau de câbles, radio | 1000164 | 100 |
| 5 | | Cable harness for radio | Issue | Page |
| | | 80518 | VOE 63D9920007 | 377 |

VOLVO

L90E



Volvo Construction
Equipment
1000164

| Fig. | Part No. | Quantity | | | P S | K I T | Description | Dénomination | Bezeichnung | Denominación | Benämning | Notes |
|------|--------------|----------|---|---|--------|----------------------|--------------------------|---------------------|-------------------------|---------------------|-------------------------|-------|
| | | 1 | 2 | 3 | | | | | | | | |
| 21 | VOE 13949874 | 1 | | | | Flange Lock Nut..... | Contre écrou bride | Flanschmutter | Contratuer Embr..... | Flänslåsmutter..... | | |
| 22 | VOE 941262 | 1 | | | | Grommet..... | Passe fil | Durchführung | Aislador pasapanel..... | Genomföring..... | | |
| 23 | | 1 | | | | Wire harness..... | Faisceau cables | Kabelbaum | Manejo cables | Ledningsmatta..... | See group 371, Page 241 | |
| 24 | | 1 | | | | Wire harness..... | Faisceau cables | Kabelbaum | Manejo cables | Ledningsmatta..... | See group 371, Page 237 | |

| | | | | |
|---|--|------------------------------|----------------|---------|
| 1 | | Ledningsmatta för radio | Catalogue id | Group |
| 2 | | Manojos decables, para radio | 20007 | 393 |
| 3 | | Kabelbäume für radio | Illustr. No | Section |
| 4 | | Faisceau de câbles, radio | 1000164 | 100 |
| 5 | | Cable harness for radio | Issue | Page |
| | | 80518 | VOE 63D9920007 | 379 |

VOLVO

L90E

VOILVO

Construction Equipment

| GROUP | | Section | Page | GROUP | | Section | Page |
|-------|--|---------|------|-------|--|---------|------|
| 414 | Torque converter 22523, 22548..... | 100 | 387 | 463 | Final drive, rear AWB 20..... | 150 | 477 |
| 420 | Hydraulic transmission with fitting parts..... | 100 | 389 | 463 | Planetary axle, rear AWB 20..... | 250 | 481 |
| 420 | Oilfiller STD, OPEN ROPS..... | 150 | 393 | 468 | Differential lock..... | 100 | 483 |
| 420 | Testing block S/N - 21078..... | 200 | 397 | 468 | Differential lock, hydraulic line STD, OPEN ROPS, 82824..... | 150 | 485 |
| 420 | Testing block S/N 21079 -..... | 250 | 401 | 491 | Oil cooler STD, OPEN ROPS..... | 100 | 489 |
| 420 | Ventilation for transmission..... | 300 | 403 | | | | |
| 420 | Ventilation for transmission 33286 OPEN ROPS..... | 310 | 407 | | | | |
| 421 | Converter housing, gears and shafts..... | 100 | 409 | | | | |
| 421 | Oil filter 22523, 22548..... | 150 | 411 | | | | |
| 421 | Oil distributor and tube..... | 200 | 413 | | | | |
| 421 | Hydraulic clutch, forward / 1 st speed 22523, 22548..... | 250 | 419 | | | | |
| 421 | Hydraulic clutch, reverse / 2nd speed 22523, 22548..... | 300 | 423 | | | | |
| 421 | Hydraulic clutch, 3rd / 4th speed 22523, 22548..... | 350 | 427 | | | | |
| 421 | Lubricating oil valve with fitting parts..... | 400 | 431 | | | | |
| 421 | Lubricating oil valve 22523, 22548..... | 450 | 433 | | | | |
| 421 | Range selector valve with fitting parts..... | 500 | 435 | | | | |
| 421 | Range selector valve 22523, 22548..... | 550 | 439 | | | | |
| 434 | Transfer case, gears and shafts..... | 100 | 441 | | | | |
| 434 | Parking brake..... | 150 | 445 | | | | |
| 434 | Transfer case, housing and covers..... | 200 | 447 | | | | |
| 436 | Gear box housing with fitting parts..... | 100 | 451 | | | | |
| 451 | Propeller shafts with fitting parts STD, OPEN ROPS..... | 100 | 453 | | | | |
| 451 | Propellershaft rear STD, OPEN ROPS..... | 150 | 455 | | | | |
| 451 | Propeller shaft middle STD, OPEN ROPS..... | 200 | 457 | | | | |
| 451 | Power shaft front STD, OPEN ROPS..... | 250 | 459 | | | | |
| 460 | Planet axles with fitting parts STD, OPEN ROPS..... | 100 | 461 | | | | |
| 460 | Venting, planetary gear STD, OPEN ROPS..... | 150 | 463 | | | | |
| 461 | Planetary axle, front AWB 25..... | 100 | 465 | | | | |
| 461 | Final drive AWB 25..... | 150 | 469 | | | | |
| 461 | Planetary axle, Front AWB 25..... | 200 | 473 | | | | |
| 463 | Planet shaft, rear AWB 20..... | 100 | 475 | | | | |

INDEX OF CONTENTS

| | |
|--------------------------------|---------------------|
| Catalogue id 20007 | Group 400 |
| Issue VOE 63D9920007 | Page 381 |

VOLVO

L90E

| | | |
|---------------------------|--------------------------------|---------------------|
| TABLE DES MATIÈRES | Catalogue id 20007 | Group 400 |
| | Issue VOE 63D9920007 | Page 382 |

| GROUPE | Section | Page | GROUPE | Section | Page | | |
|--------|---|------|--------|---------|--|-----|-----|
| 414 | Convertisseur de couple 22523, 22548 | 100 | 387 | 463 | Commandes finales, AR AWB 20 | 150 | 477 |
| 420 | Transmission avec pièces de montage..... | 100 | 389 | 463 | Pont moteur, ar. AWB 20 | 250 | 481 |
| 420 | Remplissage d'huile STD, OPEN ROPS | 150 | 393 | 468 | Blocage différentiel..... | 100 | 483 |
| 420 | Bloc de contrôle S/N - 21078 | 200 | 397 | 468 | Blocage de différentieltuyau, hydraulique STD, OPEN ROPS, 82824150 | 150 | 485 |
| 420 | Bloc de contrôle S/N 21079 - | 250 | 401 | 491 | Radiateur d 'huile STD, OPEN ROPS..... | 100 | 489 |
| 420 | Aération de transmission | 300 | 403 | | | | |
| 420 | Aération de transmission 33286 OPEN ROPS..... | 310 | 407 | | | | |
| 421 | Boîtier convertisseur, engrenages et arbres | 100 | 409 | | | | |
| 421 | Filtre à huile 22523, 22548 | 150 | 411 | | | | |
| 421 | Distributeur d'huile, tuyaux..... | 200 | 413 | | | | |
| 421 | Accouplement hydraulique, avant / 1er 22523, 22548..... | 250 | 419 | | | | |
| 421 | Accouplement hydraulique, arrière / 2ème 22523, 22548 | 300 | 423 | | | | |
| 421 | Accouplement hydraulique, 3ème / 4ème 22523, 22548..... | 350 | 427 | | | | |
| 421 | Soupape d'huile de graissage avec pièces de montage..... | 400 | 431 | | | | |
| 421 | Soupape d'huile de graissage 22523, 22548..... | 450 | 433 | | | | |
| 421 | Valve sélectrice vitesse avec pièces de montage..... | 500 | 435 | | | | |
| 421 | Soupape sélectrice vitesse 22523, 22548 | 550 | 439 | | | | |
| 434 | Boîte de transfert, pignon et arbres | 100 | 441 | | | | |
| 434 | Frein parking | 150 | 445 | | | | |
| 434 | Boîte de transfert, boîtier et couvercle | 200 | 447 | | | | |
| 436 | Suspension boîte vitesses | 100 | 451 | | | | |
| 451 | Arbres de transmission avec pieces de montage STD, OPEN ROPS100 | | 453 | | | | |
| 451 | Arbre à cardans, arrière STD, OPEN ROPS | 150 | 455 | | | | |
| 451 | Arbre à cardans, médian STD, OPEN ROPS | 200 | 457 | | | | |
| 451 | Arbre à cardans, antérieur STD, OPEN ROPS..... | 250 | 459 | | | | |
| 460 | Train planétaire avec pièces de montage STD, OPEN ROPS | 100 | 461 | | | | |
| 460 | Aération, train planétaire STD, OPEN ROPS | 150 | 463 | | | | |
| 461 | Axe satellite, AV AWB 25..... | 100 | 465 | | | | |
| 461 | Reducteur central AWB 25 | 150 | 469 | | | | |
| 461 | Pont moteur, Av AWB 25 | 200 | 473 | | | | |
| 463 | Essieu moteur, arrière AWB 20 | 100 | 475 | | | | |

| GRUPPE | Abschnitt | Seite | GRUPPE | Abschnitt | Seite | | |
|--------|--|-------|--------|-----------|---|-----|-----|
| 414 | Drehmomentwandler 22523, 22548..... | 100 | 387 | 463 | Ausgangsgetriebe, rückwärts AWB 20..... | 150 | 477 |
| 420 | Transmission mit Anbauteilen..... | 100 | 389 | 463 | Planetengetriebe, hinten AWB 20..... | 250 | 481 |
| 420 | Öleinfüllung STD, OPEN ROPS..... | 150 | 393 | 468 | Ausgleichsperre..... | 100 | 483 |
| 420 | Messblock S/N - 21078..... | 200 | 397 | 468 | Differentialsperre, Hydraulikleitung STD, OPEN ROPS, 82824..... | 150 | 485 |
| 420 | Messblock S/N 21079 -..... | 250 | 401 | 491 | Ölkühler STD, OPEN ROPS..... | 100 | 489 |
| 420 | Entlüftung für Transmission..... | 300 | 403 | | | | |
| 420 | Entlüftung für Transmission 33286 OPEN ROPS..... | 310 | 407 | | | | |
| 421 | Wandlergehäuse, Zahnräder und Wellen..... | 100 | 409 | | | | |
| 421 | Ölfilter 22523, 22548..... | 150 | 411 | | | | |
| 421 | Ölverteiler und Rohr..... | 200 | 413 | | | | |
| 421 | Hydraulikkupplung, vorwärts / 1. Gang 22523, 22548..... | 250 | 419 | | | | |
| 421 | Hydraulikkupplung, rückwärts / 2. Gang 22523, 22548..... | 300 | 423 | | | | |
| 421 | Hydraulikkupplung, 3. / 4. Gang 22523, 22548..... | 350 | 427 | | | | |
| 421 | Schmierölventil mit Anbauteilen..... | 400 | 431 | | | | |
| 421 | Schmierölventil 22523, 22548..... | 450 | 433 | | | | |
| 421 | Getriebewählerventil mit Anbauteilen..... | 500 | 435 | | | | |
| 421 | Getriebewählerventil 22523, 22548..... | 550 | 439 | | | | |
| 434 | Verteilergetriebe, Antrieb und Achsen..... | 100 | 441 | | | | |
| 434 | Feststellbremse..... | 150 | 445 | | | | |
| 434 | Verteilergetriebe, Gehäuse und Deckel..... | 200 | 447 | | | | |
| 436 | Getriebeaufhängung..... | 100 | 451 | | | | |
| 451 | Gelenkwelle mit Anbauteilen STD, OPEN ROPS..... | 100 | 453 | | | | |
| 451 | Gelenkwelle, hintere STD, OPEN ROPS..... | 150 | 455 | | | | |
| 451 | Gelenkwelle, mittlere STD, OPEN ROPS..... | 200 | 457 | | | | |
| 451 | Gelenkwelle, vordere STD, OPEN ROPS..... | 250 | 459 | | | | |
| 460 | Planetenwellen mit Anbauteilen STD, OPEN ROPS..... | 100 | 461 | | | | |
| 460 | Lüftung, Planetenachsen STD, OPEN ROPS..... | 150 | 463 | | | | |
| 461 | Planetenwelle, vorne AWB 25..... | 100 | 465 | | | | |
| 461 | Ausgleichgetriebe AWB 25..... | 150 | 469 | | | | |
| 461 | Planetengetriebe, Vordere AWB 25..... | 200 | 473 | | | | |
| 463 | Planetenwelle, hintere AWB 20..... | 100 | 475 | | | | |

INHALTSVERZEICHNIS

| | |
|--------------------------------|---------------------|
| Catalogue id 20007 | Group 400 |
| Issue VOE 63D9920007 | Page 383 |

| | | |
|---------------|--------------------------------|---------------------|
| INDICE | Catalogue id 20007 | Group 400 |
| | Issue VOE 63D9920007 | Page 384 |

| GRUPO | Sección | Página | GRUPO | Sección | Página | | |
|-------|---|--------|-------|---------|---|-----|-----|
| 414 | Convertidor de par 22523, 22548 | 100 | 387 | 463 | Engranaje cambio central, trasero AWB 20 | 150 | 477 |
| 420 | Transmisión con accesorios de montaje | 100 | 389 | 463 | Puente motor, trasero AWB 20 | 250 | 481 |
| 420 | Relleno de aceite STD, OPEN ROPS | 150 | 393 | 468 | Bloqueo del diferencial | 100 | 483 |
| 420 | Bloque de medición S/N - 21078 | 200 | 397 | 468 | Bloqueo del diferencial, conducto hidráulico STD, OPEN ROPS, 82824 | 150 | 485 |
| 420 | Bloque de medición S/N 21079 - | 250 | 401 | 491 | Enfriador de aceite STD, OPEN ROPS | 100 | 489 |
| 420 | Ventilación de transmisión | 300 | 403 | | | | |
| 420 | Ventilación de transmisión 33286 OPEN ROPS | 310 | 407 | | | | |
| 421 | Caja del convertidor, engranajes y ejes | 100 | 409 | | | | |
| 421 | Filtro de aceite 22523, 22548 | 150 | 411 | | | | |
| 421 | Distribuidor de aceite, tubos | 200 | 413 | | | | |
| 421 | Embrague hidráulic, adelante / 1a velocidad 22523, 22548 | 250 | 419 | | | | |
| 421 | Embrague hidráulic, atrás / 2a velocidad 22523, 22548 | 300 | 423 | | | | |
| 421 | Embrague hidráulic, 3a / 4a velocidades 22523, 22548 | 350 | 427 | | | | |
| 421 | Válvula de lubricación con accesorios de montaje | 400 | 431 | | | | |
| 421 | Válvula de lubricación 22523, 22548 | 450 | 433 | | | | |
| 421 | Válvula selectora de gama con accesorios de montaje | 500 | 435 | | | | |
| 421 | Válvula selectora de gama 22523, 22548 | 550 | 439 | | | | |
| 434 | Caja de reenvío, engranajes y ejes | 100 | 441 | | | | |
| 434 | Freno estacionamiento | 150 | 445 | | | | |
| 434 | Caja de reenvío, caja y tapa | 200 | 447 | | | | |
| 436 | Suspensión de la caja de cambios | 100 | 451 | | | | |
| 451 | Ejes cardán con accesorios de montaje STD, OPEN ROPS | 100 | 453 | | | | |
| 451 | Eje cardán, trasero STD, OPEN ROPS | 150 | 455 | | | | |
| 451 | Eje cardán, medio STD, OPEN ROPS | 200 | 457 | | | | |
| 451 | Eje cardán, delantero STD, OPEN ROPS | 250 | 459 | | | | |
| 460 | Ejes planetarios con accesorios de montaje STD, OPEN ROPS | 100 | 461 | | | | |
| 460 | Ventilación, ejes planetarios STD, OPEN ROPS | 150 | 463 | | | | |
| 461 | Eje planeta, delantera AWB 25 | 100 | 465 | | | | |
| 461 | Grupo conico AWB 25 | 150 | 469 | | | | |
| 461 | Puente motor, delantero AWB 25 | 200 | 473 | | | | |
| 463 | Eje propulsor, trasero AWB 20 | 100 | 475 | | | | |

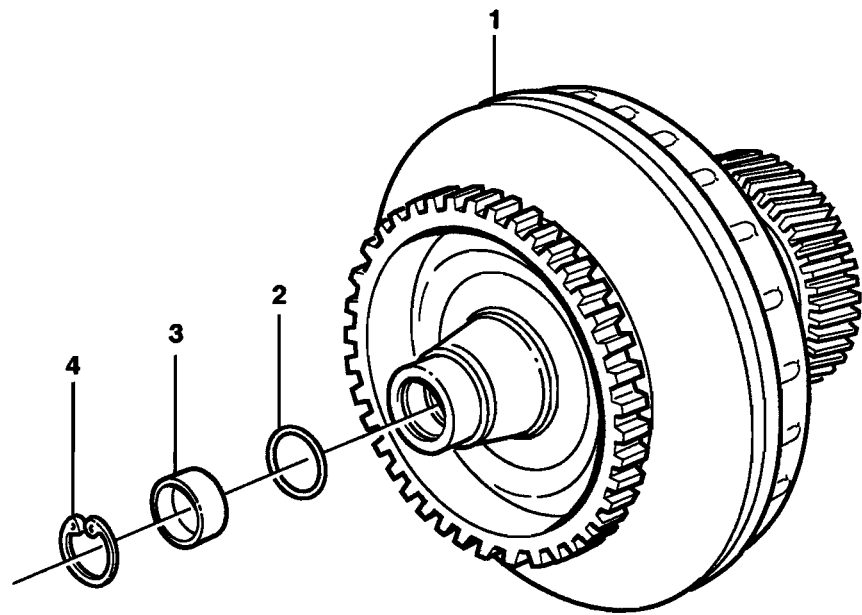
| GRUPP | | Avsnitt | Sida | GRUPP | | Avsnitt | Sida |
|-------|---|---------|------|-------|---|---------|------|
| 414 | Momentomvandlare 22523, 22548 | 100 | 387 | 463 | Centrumväxel, bak AWB 20 | 150 | 477 |
| 420 | Transmission med monteringsdetaljer | 100 | 389 | 463 | Planethållare, bakre AWB 20 | 250 | 481 |
| 420 | Oljepåfyllning STD, OPEN ROPS | 150 | 393 | 468 | Differentialspärr | 100 | 483 |
| 420 | Mätblock S/N - 21078 | 200 | 397 | 468 | Differentialspärr, hydraulledning STD, OPEN ROPS, 82824 | 150 | 485 |
| 420 | Mätblock S/N 21079 - | 250 | 401 | 491 | Oljekylare STD, OPEN ROPS | 100 | 489 |
| 420 | Ventilation för transmission | 300 | 403 | | | | |
| 420 | Ventilation för transmission 33286 OPEN ROPS | 310 | 407 | | | | |
| 421 | Momentomvandlarhus, drev och axlar | 100 | 409 | | | | |
| 421 | Oljefilter 22523, 22548 | 150 | 411 | | | | |
| 421 | Oljefördelare och rör | 200 | 413 | | | | |
| 421 | Hydraulkoppling, fram / 1-an 22523, 22548 | 250 | 419 | | | | |
| 421 | Hydraulkoppling, back / 2-an 22523, 22548 | 300 | 423 | | | | |
| 421 | Hydraulkoppling, 3-an / 4-an 22523, 22548 | 350 | 427 | | | | |
| 421 | Smörjoljeventil med monteringsdetaljer | 400 | 431 | | | | |
| 421 | Smörjoljeventil 22523, 22548 | 450 | 433 | | | | |
| 421 | Växelväljarventil med monteringsdetaljer | 500 | 435 | | | | |
| 421 | Växelväljarventil 22523, 22548 | 550 | 439 | | | | |
| 434 | Fördelningsväxellåda, drev och axlar | 100 | 441 | | | | |
| 434 | Parkeringsbroms | 150 | 445 | | | | |
| 434 | Fördelningsväxellåda, hus och lock | 200 | 447 | | | | |
| 436 | Växellådsupphängning | 100 | 451 | | | | |
| 451 | Kardanaxlar med monteringsdetaljer STD, OPEN ROPS | 100 | 453 | | | | |
| 451 | Kardanaxel bakre STD, OPEN ROPS | 150 | 455 | | | | |
| 451 | Kardanaxel mittersta STD, OPEN ROPS | 200 | 457 | | | | |
| 451 | Kardanaxel främre STD, OPEN ROPS | 250 | 459 | | | | |
| 460 | Planetaxlar med monteringsdetaljer STD, OPEN ROPS | 100 | 461 | | | | |
| 460 | Avluftning, planetaxlar STD, OPEN ROPS | 150 | 463 | | | | |
| 461 | Planetaxel, fram AWB 25 | 100 | 465 | | | | |
| 461 | Centrumväxel AWB 25 | 150 | 469 | | | | |
| 461 | Planethållare, främre. AWB 25 | 200 | 473 | | | | |
| 463 | Planetaxel, bak AWB 20 | 100 | 475 | | | | |

INNEHÅLLSFÖRTECKNING

| | |
|------------------------------|---------------------|
| Catalogue id 20007 | Group 400 |
| Issue VOE 63D9920007 | Page 385 |

VOLVO

L90E



Volvo Construction
Equipment Group
EM 107

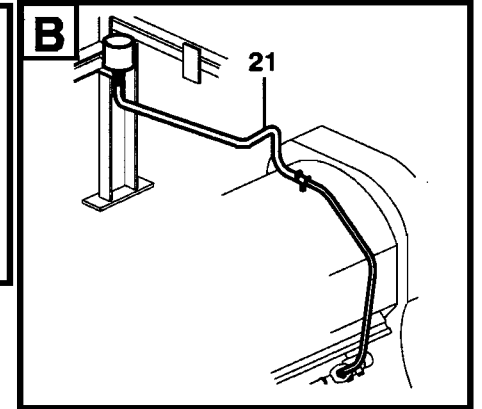
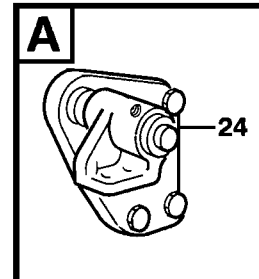
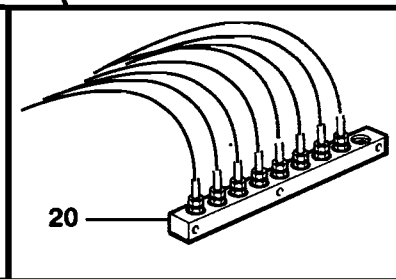
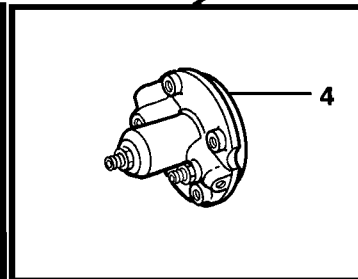
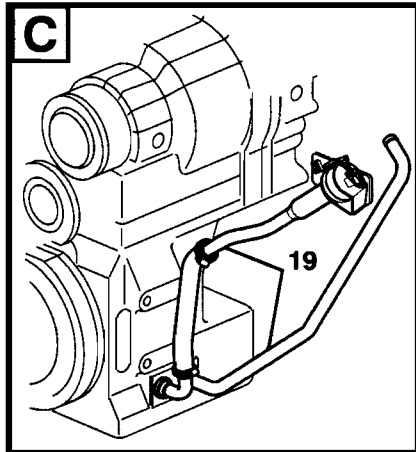
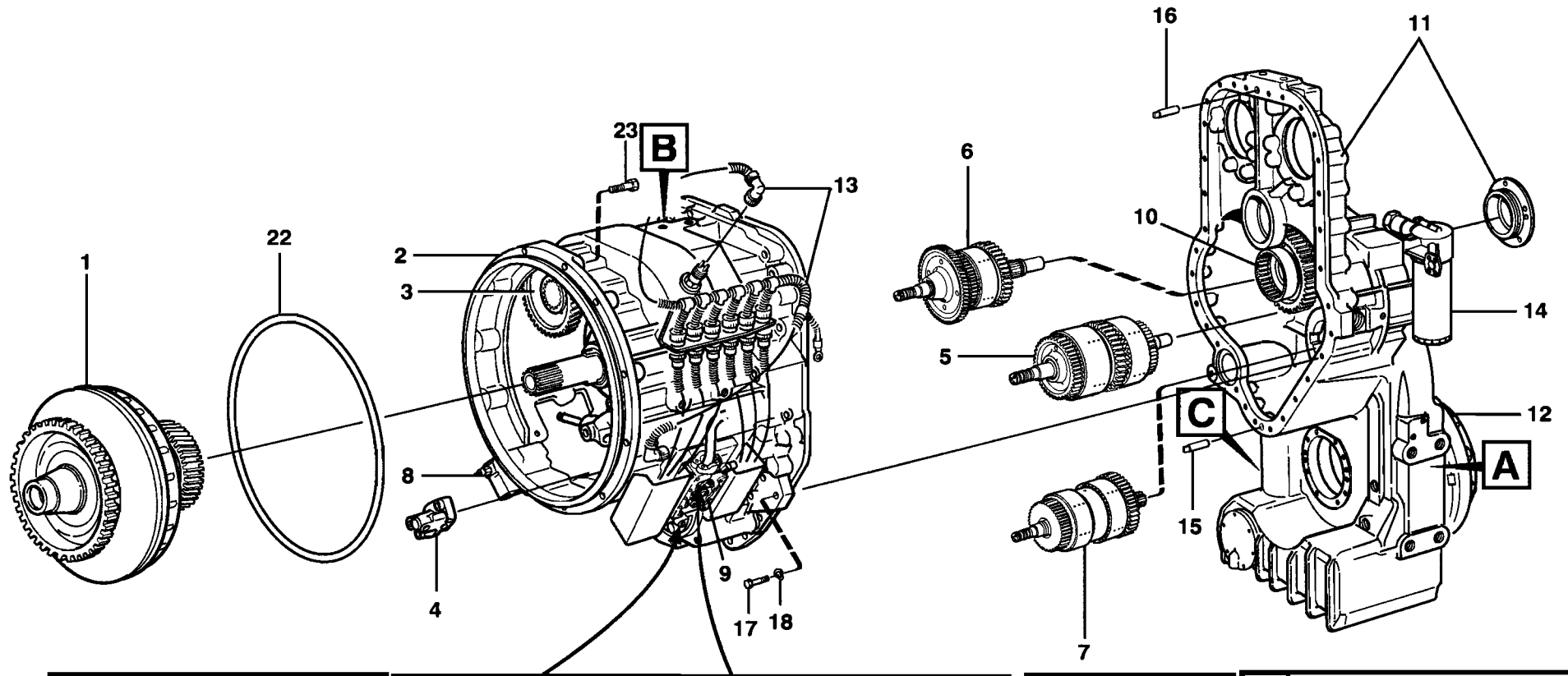


| Fig. | Part No. | Quantity | | | P S | K I T | Description | Dénomination | Bezeichnung | Denominación | Benämning | Notes |
|------|--------------|----------|---|---|--------|-------------|--------------------|-----------------------|---------------------|-----------------------|--------------------|-------|
| | | 1 | 2 | 3 | | | | | | | | |
| 1 | VOE 11144852 | 1 | | | | | Trq Converter..... | Converti.couple | Drehm Wandler | Convertidor Par | Momentomvandl..... | |
| 2 | VOE 11997187 | 1 | | | | | •O-ring..... | •Joint Torique | •O-Ring..... | •Junta torica | •O-ring..... | |
| 3 | VOE 11997186 | 1 | | | | | •Cover | •Couvercle..... | •Deckel..... | •Tapa..... | •Lock..... | |
| 4 | VOE 914529 | 1 | | | | | •Snap Ring..... | •Circlip..... | •Nutring | •Circlip | •Spårring..... | |

| | | | | |
|---|--|--|-----------------------|------------|
| 1 | | Momentomvandlare Convertidor de par Drehmomentwandler Convertisseur de couple Torque converter 22523, 22548 | Catalogue id | Group |
| 2 | | | 20007 | 414 |
| 3 | | | Illustr. No | Section |
| 4 | | | EM107 | 100 |
| 5 | | | Issue | Page |
| | | | VOE 63D9920007 | 387 |

VOLVO

L90E



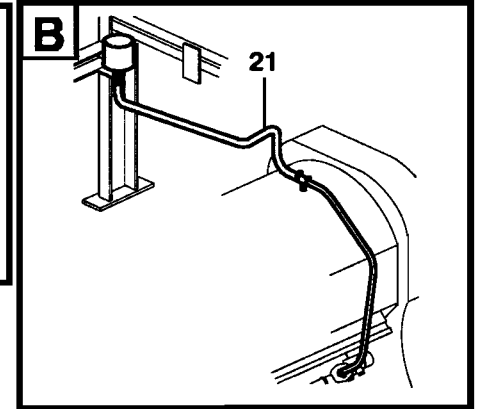
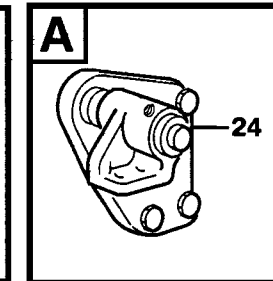
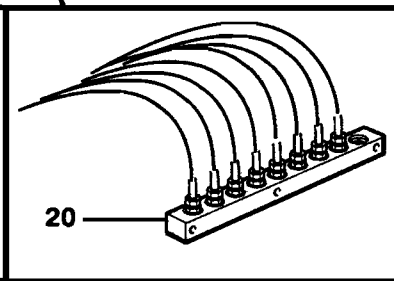
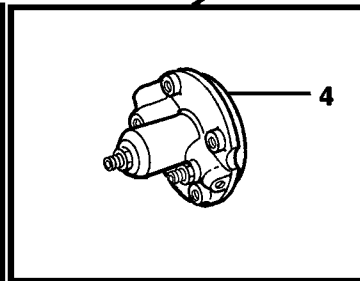
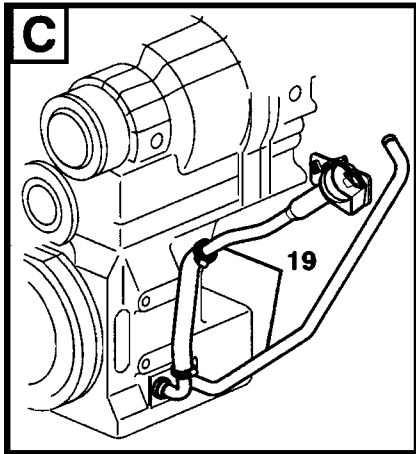
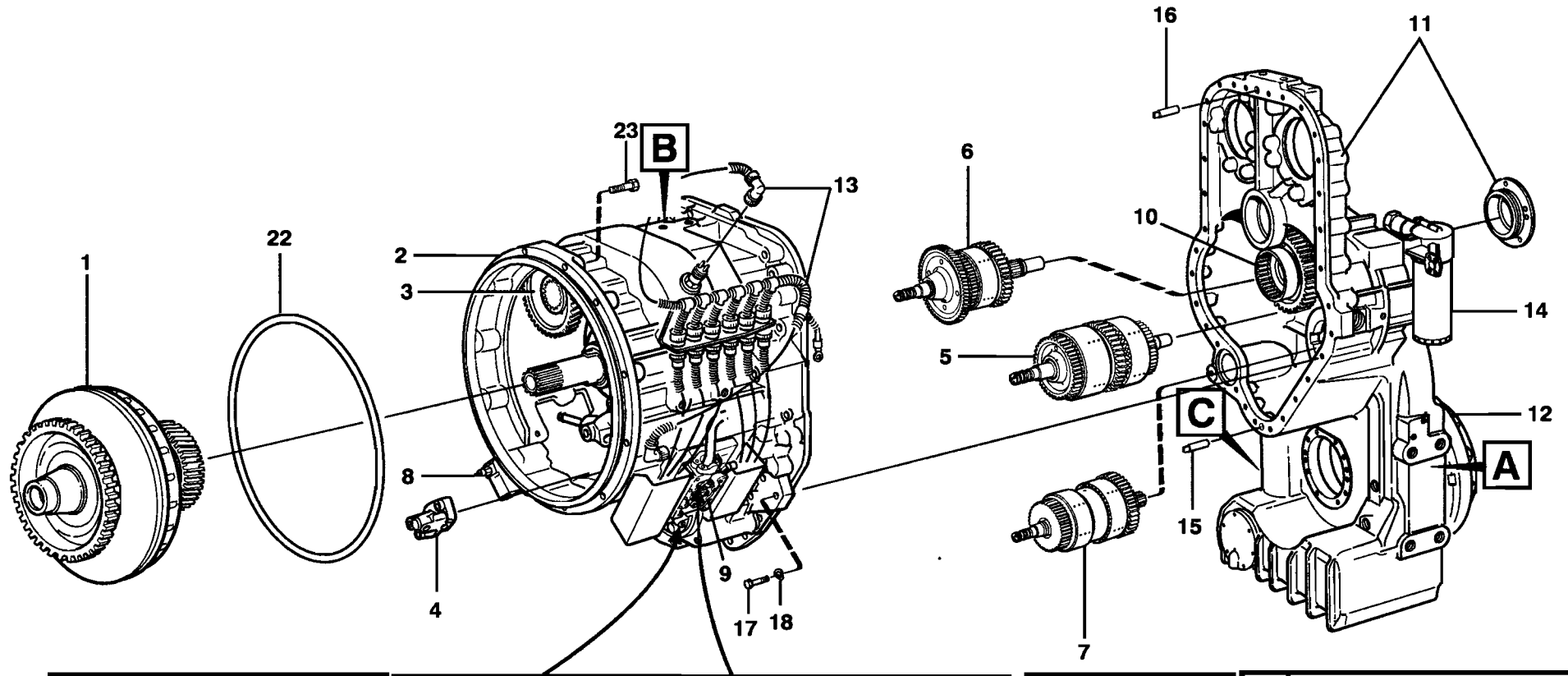
Volvo Construction
Equipment
EM 243

| Fig. | Part No. | Quantity | | | P S | K I T | Description | Dénomination | Bezeichnung | Denominación | Benämning | Notes |
|------|--------------|----------|----|----|--------|-------------|---------------------------|----------------------------|--------------------------|----------------------------|---------------------------|--|
| | | 1 | 2 | 3 | | | | | | | | |
| | VOE 22523 | 1 | | | | | Hydr Xmsn | Trans.hydrauli. | Hydr Antrieb | Transm Hidraul..... | Hydraultransm..... | HTE 202, SER NO - 20095 SER NO - 66019 USA SER NO - 70802 BRAZIL |
| | VOE 22548 | 1 | 1 | | | | Hydr Xmsn | Trans.hydrauli. | Hydr Antrieb | Transm Hidraul..... | Hydraultransm..... | HTE202, SER NO 20096 - SER NO 66020 - USA SER NO 70803 - BRAZIL |
| 1 | | | | | | | •Torque converter | •Convertisseur coupl.. | •Drehmomentwandle.. | •Convertidor moment .. | •Momentomvandlare.. | See group 414, Page 387 |
| 2 | | | | | | | •Conv. hous. gears a .. | •Boitier conv. pignons | •Drehmoment. Antrie.. | •Caja conv. engranaj.. | •Momentomvand. dre. | See group 421, Page 409 |
| 3 | | | | | | | •Pump drive | •Commande de la po .. | •Pumpenantrieb..... | •Accionamiento bom .. | •Pumpdrivning..... | See group 421, Page 409 |
| 4 | | | | | | | •Oildistributor, tubes... | •Distributeur, Tuyau ... | •Ölverteiler, Rohr und. | •Distribuidor, tubos | •Oljefördelare, rör,..... | See group 421, Page 413 |
| 5 | | | | | | | •Clutch, forward,1:st... | •Embrayages, Av, 1 er | •Kupplungen, Vorw,1.. | •Embragues, adel.1a .. | •Koppling, fram,1-an.. | See group 421, Page 419 |
| 6 | | | | | | | •Clutch, reverse,2nd .. | •Embrayages,ar,2èm .. | •Kupplungen, R-ckw,. | •Embragues,atras,2a.. | •Koppling, back,2-an.. | See group 421, Page 423 |
| 7 | | | | | | | •Clutch, 3rd and 4th ... | •Embrayages, 3-4 vite | •Kupplungen, 3. 4.ga.. | •Embragues, 3-4 velo. | •Koppling, 3-4-an..... | See group 421, Page 427 |
| 8 | | | | | | | •Lubricating oil valve... | •Soupape d'huile | •Schmierölventil..... | •Valvula de lubricacio. | •Smörjoljeventil..... | See group 421, Page 431 |
| 9 | | | | | | | •Gear selector valve... | •Valve selectr.vitesse. | •Umsteurventil | •valvula select.veloci .. | •Växelväljarventil..... | See group 421, Page 435 |
| 10 | | | | | | | •Transfer case, gears. | •Boite transfert, pign... | •Verteilergetrieb. Ant.. | •Caja reenvio, engran. | •Fördelningsväx. drev | See group 434, Page 441 |
| 11 | | | | | | | •Transfer case, housi. | •Boite transf. boitier.... | •Verteilerget. Gehäus. | •Caja reenvio, caja y .. | •Fördelningsväx. hus. | See group 434, Page 447 |
| 12 | | | | | | | •Parking brake | •Frein parking..... | •Feststellbremse..... | •Freio estacion | •Parkeringsbroms..... | See group 434, Page 445 |
| 13 | | | | | | | •Wire harness | •Faisceau cables..... | •Kabelbaum..... | •Manojo cables..... | •Ledningsmatta..... | See group 371, Page 243 |
| 14 | | | | | | | •Filter Retainer | •Porte-filtre | •Filtertopf..... | •Soporte Filtro | •Filterhållare..... | See group 421, Page 411 |
| 15 | VOE 950711 | 1 | 1 | 1 | | | •Pin | •Goupille..... | •Stift..... | •Pasador..... | •Pinne..... | |
| 16 | VOE 4718167 | 1 | 1 | 1 | | | •Pin | •Goupille..... | •Stift..... | •Pasador..... | •Pinne..... | |
| 17 | VOE 970978 | 23 | 23 | 23 | | | •Hexagon screw | •Vis a tête hexagonal. | •Sechskantschr. | •Tomillo hexago | •Sextantsskruv..... | L = 70 MM |
| | VOE 13970988 | 5 | 5 | 5 | | | •Hexagon screw | •Vis a tête hexagonal. | •Sechskantschr. | •Tomillo hexago | •Sextantsskruv..... | L = 160 MM |
| | VOE 13970989 | 3 | 3 | 3 | | | •Hexagon screw | •Vis a tête hexagonal. | •Sechskantschr. | •Tomillo hexago | •Sextantsskruv..... | L = 180 MM |
| 18 | VOE 13949608 | 31 | 31 | 31 | | | •Washer | •Rondelle..... | •Scheibe | •Arandela..... | •Bricka..... | |
| 19 | | | 1 | 1 | | | Oil filler | Remplissage d'huile... | Öleinfüllung | Relleno de aceite y.... | Oljepåfyllning..... | See group 420, Page 393 |
| 20 | | | 1 | 1 | | | Testing block..... | Bloc controle | Messblock | Bloque medicion..... | Mätblock..... | See group 420, Page 397 |
| 21 | | | 1 | | | | Ventilation for hydr.... | Aération de transm.... | Entlüftung für Tr | Ventilación del tra..... | Ventilation för trans.... | See group 420, Page 403 |
| | | | | 1 | | | Ventilation for hydr.... | Aération de transm.... | Entlüftung für Tr | Ventilación del tra..... | Ventilation för trans.... | See group 420, Page 407 |

| | | | | |
|---|-----------------|--|----------------|---------|
| 1 | 22523, 22548 | Transmission med monteringsdetaljer Transmisión con accesorios de montaje Transmission mit Anbauteilen Transmission avec pièces de montage Hydraulic transmission with fitting parts | Catalogue id | Group |
| 2 | 33278 | | 20007 | 420 |
| 3 | 33286 OPEN ROPS | | Illustr. No | Section |
| 4 | | | EM243 | 100 |
| 5 | | | Issue | Page |
| | | | VOE 63D9920007 | 389 |

VOLVO

L90E



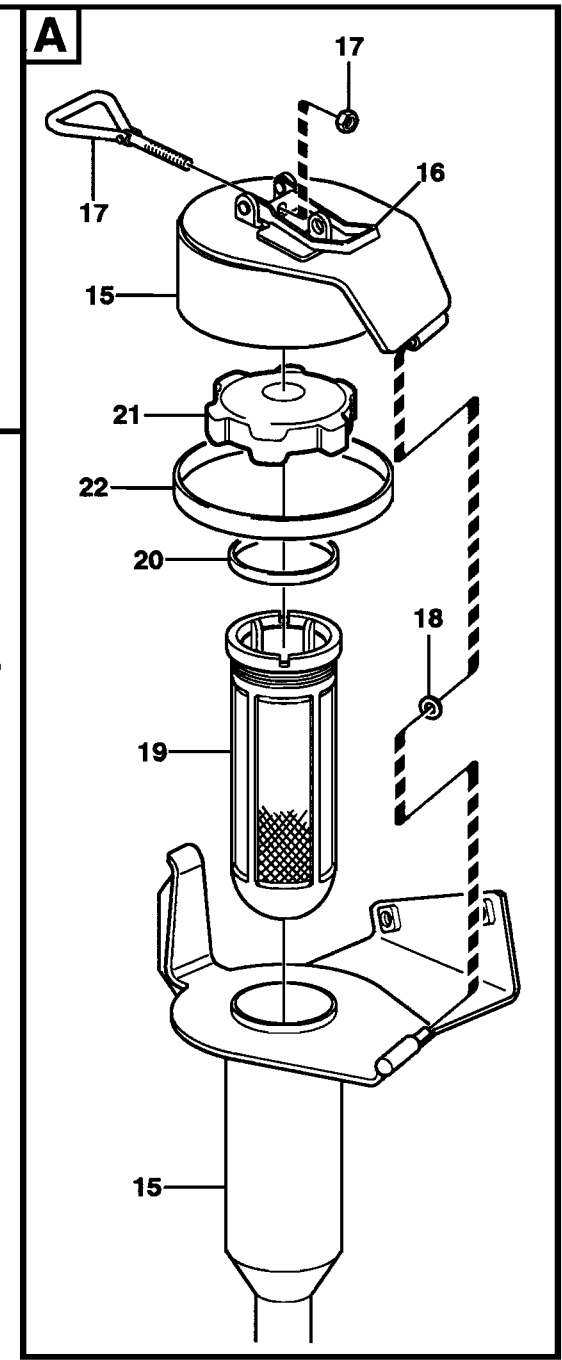
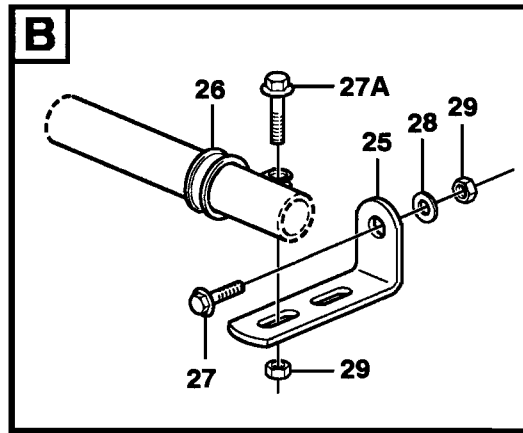
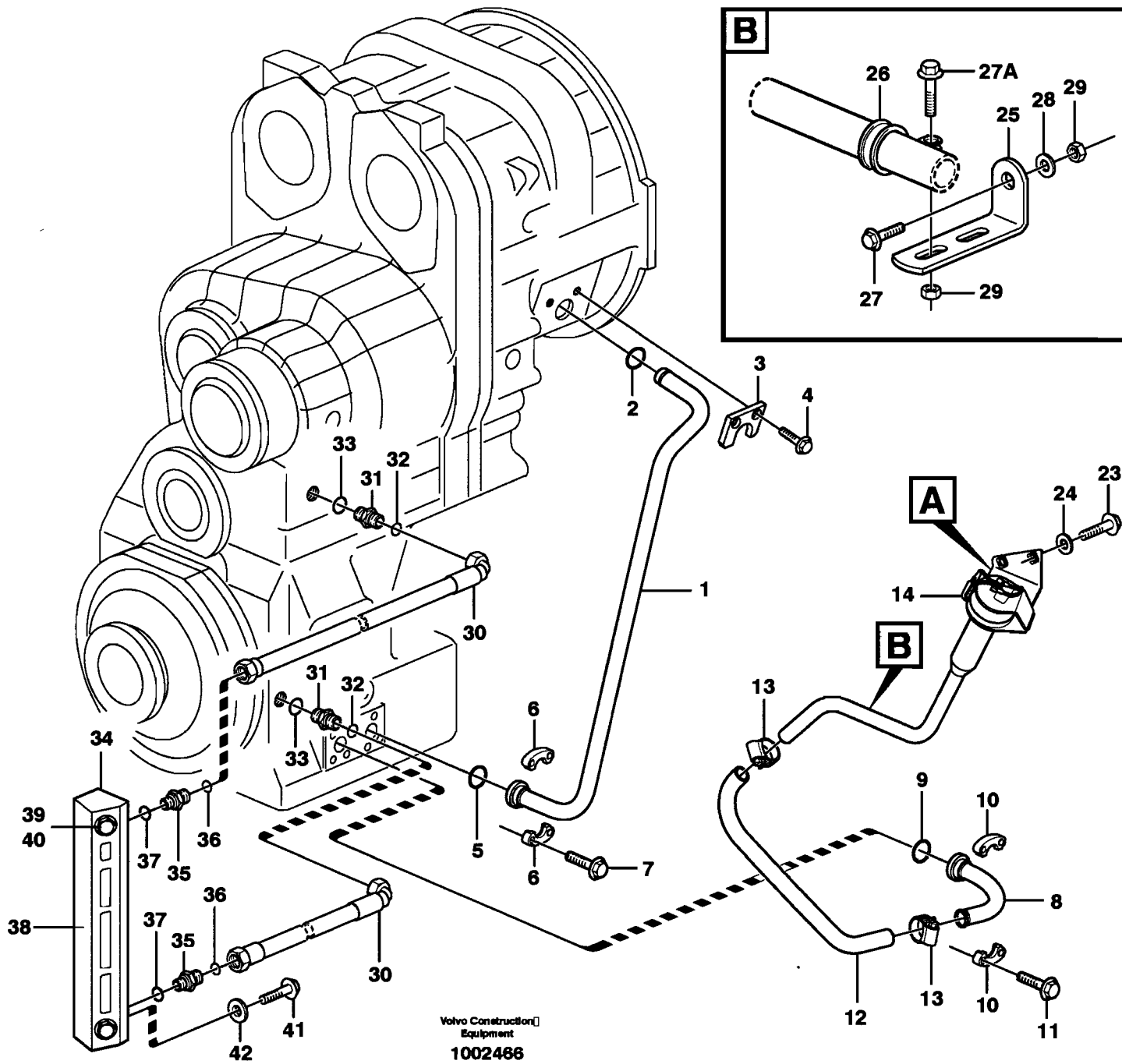
Volvo Construction
Equipment
EM 243

| Fig. | Part No. | Quantity | | | P S | K T | Description | Dénomination | Bezeichnung | Denominación | Benämning | Notes |
|------|--------------|----------|----|---|--------|------------------------|------------------------|-----------------------|-------------------------|--------------------|-------------------------|-------|
| | | 1 | 2 | 3 | | | | | | | | |
| 22 | VOE 968203 | 1 | 1 | | | O-ring | Joint Torique | O-Ring | Junta torica | O-ring | | |
| 23 | VOE 13965193 | 12 | 12 | | | Screw | Vis | Schraube | Tornillo | Skruv | | |
| 24 | | 1 | | | | Gearbox mounting | Suspension de boite .. | Getriebeaufhängung .. | Suspension de la caj .. | Växellåsupphängnin | See group 436, Page 451 | |

| | | | | |
|---|-----------------|---|-----------------------|------------|
| 1 | 22523, 22548 | Transmission med monteringsdetaljer Transmisión con accesorios de montaje Transmission mit Anbauteilen Transmission avec pièces de montage Hydraulic transmission with fitting parts | Catalogue id | Group |
| 2 | 33278 | | 20007 | 420 |
| 3 | 33286 OPEN ROPS | | Illustr. No | Section |
| 4 | | | EM243 | 100 |
| 5 | | | Issue | Page |
| | | | VOE 63D9920007 | 391 |

VOLVO

L90E

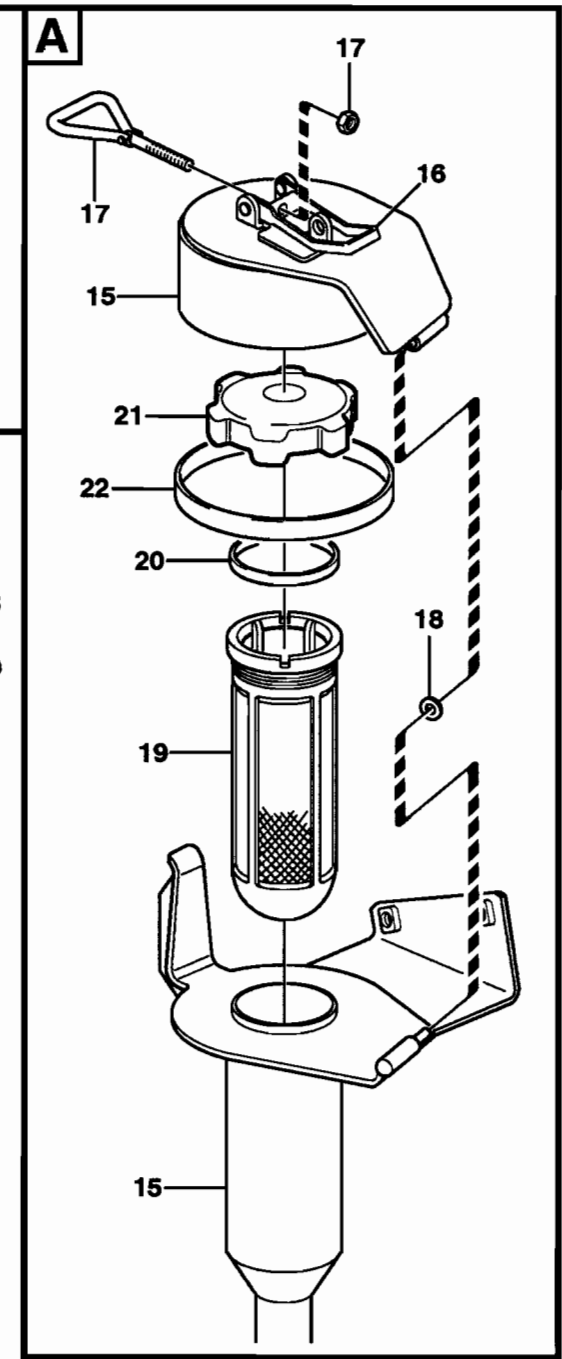
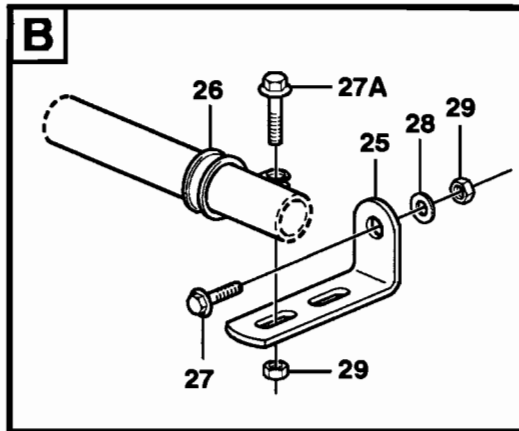
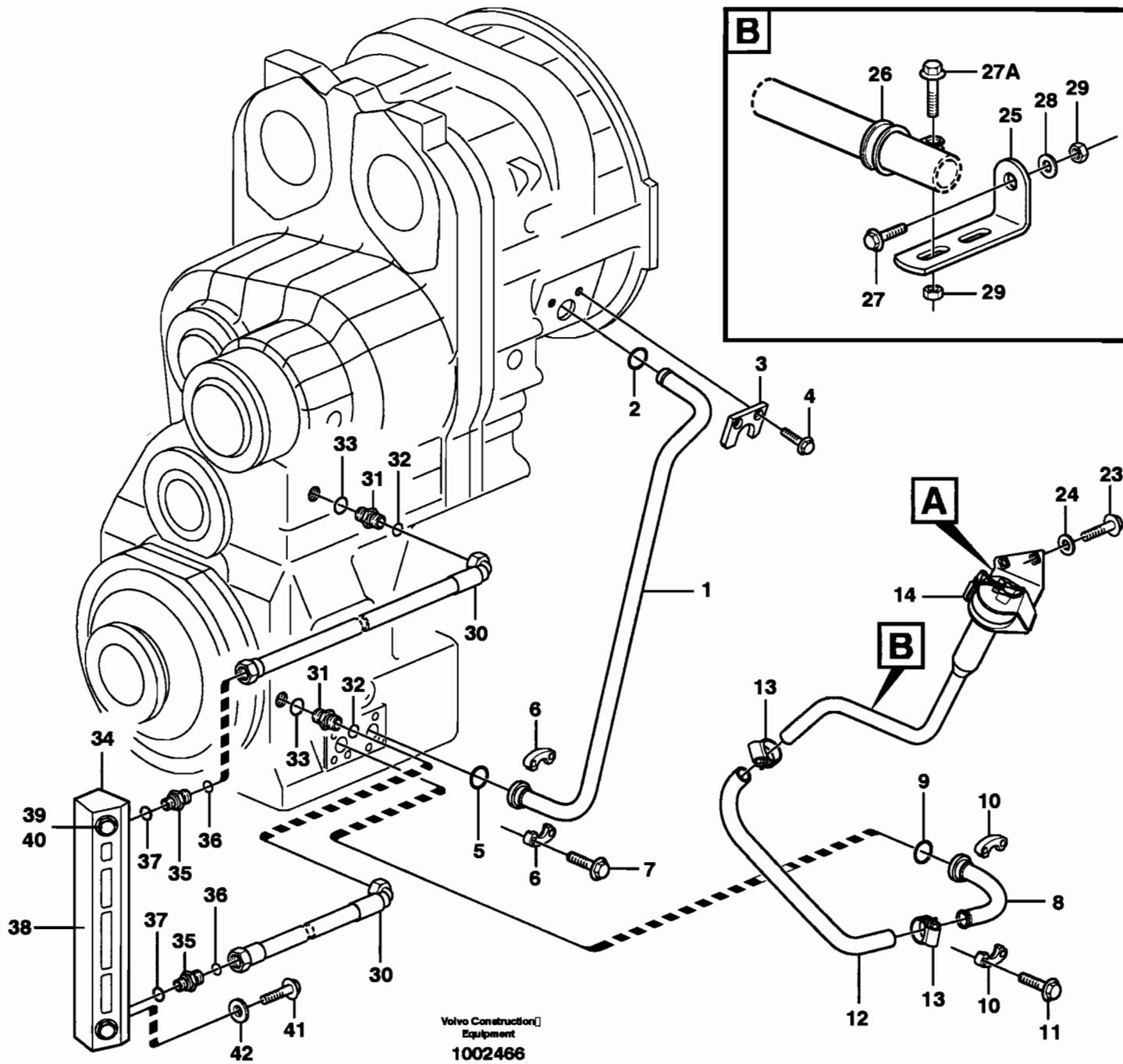


| Fig. | Part No. | Quantity | | | P S | K I T | Description | Dénomination | Bezeichnung | Denominación | Benämning | Notes |
|------|--------------|----------|---|---|--------|-----------------|--------------------|-----------------|-----------------|------------------|----------------|-------|
| | | 1 | 2 | 3 | | | | | | | | |
| 1 | VOE 11410041 | 1 | | | | Return Pipe | Conduit Retour | Rucklaufrohr | Tubo Retorno | Returrör | (VOE 11172960) | |
| 2 | VOE 421158 | 1 | | | | Sealing ring | Bague d'étanchéité | Runddichtring | Anillo reten | Tätningring | | |
| 3 | VOE 11031769 | 1 | | | | Lock Washer | Rondel verroui | Sicher Scheibe | Arandel Segurid | Låsbricka | | |
| 4 | VOE 946440 | 2 | | | | Flange screw | Vis à bride | Flanschschraube | Torn embridado | Flänsskruv | | |
| 5 | VOE 14215715 | 1 | | | | Sealing ring | Bague d'étanchéité | Runddichtring | Anillo reten | Tätningring | | |
| 6 | VOE 11015455 | 2 | | | | Flange Half | Demi-bride | Flanschhälfte | Media brida | Flänshalva | | |
| 7 | VOE 984080 | 4 | | | | Allen Hd Screw | Vis A 6 Pans Cr | Inbusschraube | Torn Hex Embut | Insexskruv | | |
| 8 | VOE 11173586 | 1 | | | | Connecting Pipe | Tuyau Connexion | Verbindungsrohr | Tubo Conexion | Förbindningsrör | | |
| 9 | VOE 14215715 | 1 | | | | Sealing ring | Bague d'étanchéité | Runddichtring | Anillo reten | Tätningring | | |
| 10 | VOE 11015455 | 2 | | | | Flange Half | Demi-bride | Flanschhälfte | Media brida | Flänshalva | | |
| 11 | VOE 959239 | 4 | | | | Allen Hd Screw | Vis A 6 Pans Cr | Inbusschraube | Torn Hex Embut | Insexskruv | | |
| 12 | VOE 943826 | 1 | | | | Hose | Durit | Schlauch | Tubo flexible | Slang | L = 650 MM | |
| 13 | VOE 943476 | 2 | | | | Hose Clamp | Collier Serrage | Schlauchschelle | Abraz Manguera | Slangklamma | | |
| 14 | VOE 11173599 | 1 | | | | Filler cap | Bouchon Remplissa | Tankverschluss | Tapa Llenado | Påfyllningslock | | |
| 15 | | 1 | | | NS | •Cap Retainer | •Retenue Capot | •Deckelhalter | •Porta-tapa | •Lockhållare | | |
| 16 | VOE 11015639 | 1 | | | | •Eccentric Lock | •Verrou Excentr | •Exz Sicherung | •Cerrad Excentr | •Excenterlås | | |
| 17 | VOE 11015638 | 1 | | | | •Eye Bolt | •Boulon Oeillet | •Ringschraube | •Perno De Aro | •Öglebult | | |
| 18 | VOE 4936343 | 1 | | | | •Washer | •Rondelle | •Scheibe | •Arandela | •Bricka | | |
| 19 | VOE 11018236 | 1 | | | | •Strainer | •Crépine | •Seiher | •Colador | •Sil | | |
| 20 | VOE 1275379 | 1 | | | | •Gasket | •Joint | •Dichtung | •Junta | •Packning | | |
| 21 | VOE 421753 | 1 | | | | •Filler cap | •Bouchon Remplissa | •Tankverschluss | •Tapa Llenado | •Påfyllningslock | | |
| 22 | VOE 4786044 | REQ | | | | •Sealing strip | •Lisse etancheite | •Dichtleiste | •Moldura reten | •Tätninglist | L = 320 MM | |
| 23 | VOE 946329 | 2 | | | | Flange screw | Vis à bride | Flanschschraube | Torn embridado | Flänsskruv | | |
| 24 | VOE 960148 | 2 | | | | Washer | Rondelle | Scheibe | Arandela | Bricka | | |
| 25 | VOE 965553 | 1 | | | | Bracket | Console | Konsole | Consola | Konsol | | |
| 26 | VOE 943717 | 1 | | | | Clamp | Pince Serrage | Klemme | Abrazadera | Klamma | | |
| 27 | VOE 13947760 | 1 | | | | Flange screw | Vis à bride | Flanschschraube | Torn embridado | Flänsskruv | | |
| 27A | VOE 13946173 | 1 | | | | Flange screw | Vis à bride | Flanschschraube | Torn embridado | Flänsskruv | | |
| 28 | VOE 13960141 | 1 | | | | Washer | Rondelle | Scheibe | Arandela | Bricka | | |
| 29 | VOE 948645 | 2 | | | | Flange Lock Nut | Contre écrou bride | Flanschmutter | Contratuer Embr | Flänslåsmutter | | |

| | | | | |
|---|--|---|-----------------------|------------|
| 1 | | Oljepåfyllning Relleno de aceite Öleinfüllung Remplissage d'huile Oilfiller STD, OPEN ROPS | Catalogue id | Group |
| 2 | | | 20007 | 420 |
| 3 | | | Illustr. No | Section |
| 4 | | | 1002466 | 150 |
| 5 | | | Issue | Page |
| | | | VOE 63D9920007 | 393 |

VOLVO

L90E

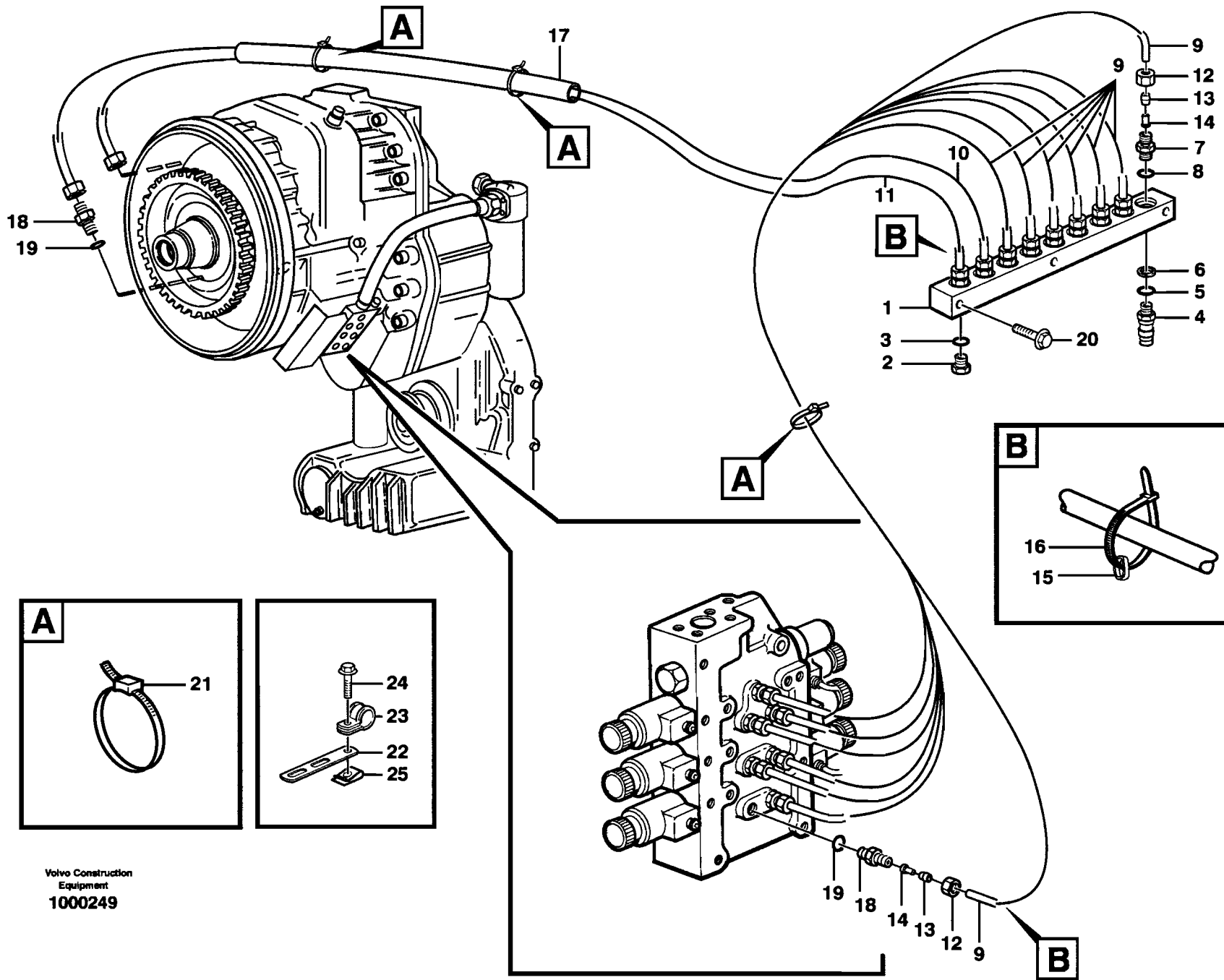


| Fig. | Part No. | Quantity | | | P S | K I T | Description | Dénomination | Bezeichnung | Denominación | Benämning | Notes |
|------|--------------|----------|---|---|--------|-----------------------------|-----------------------------|-----------------------|------------------------|-----------------------|------------|-------|
| | | 1 | 2 | 3 | | | | | | | | |
| 30 | VOE 11173012 | 2 | | | | Hose assembly | Conduit flexible | Schlauchleitung | Conducto | Slangledning | L = 450 MM | |
| 31 | VOE 13933855 | 2 | | | | Nipple | Raccord | Nippel | Niple | Nippel | | |
| 32 | VOE 4880492 | 2 | | | | •O-ring | •Joint Torique | •O-Ring | •Junta torica | •O-ring | | |
| 33 | VOE 14213676 | 2 | | | | •Sealing ring | •Bague d'étanchéité | •Runddichtring | •Anillo reten | •Tättningsring | | |
| | VOE 11173956 | 1 | | | | Level glass | Voyant de contrôle de | Schauglas | Mirilla de nivel | Nivåglas | | |
| 34 | VOE 11145327 | 1 | | | | •Level Inspection Gla | •Regard Vitre | •Schauglas | •Ventana Nivel | •Nivåglas | | |
| 35 | VOE 14345423 | 2 | | | | •Nipple | •Raccord | •Nippel | •Niple | •Nippel | | |
| 36 | VOE 4880492 | 2 | | | | ••O-ring | ••Joint Torique | ••O-Ring | ••Junta torica | ••O-ring | | |
| 37 | VOE 14211856 | 2 | | | | ••Sealing ring | ••Bague d'étanchéité | ••Runddichtring | ••Anillo reten | ••Tättningsring | | |
| 38 | | 1 | | | NS | •Bracket | •Console | •Konsole | •Ménsula | •Konsol | | |
| 39 | VOE 11145321 | 2 | | | | •Hollow Screw | •Vis Creuse | •Hohlschraube | •Tornillo hueco | •Hålskruv | | |
| 40 | VOE 3537521 | 4 | | | | •O-ring | •Joint Torique | •O-Ring | •Junta torica | •Q-ring | | |
| 41 | VOE 946329 | 2 | | | | Flange screw | Vis à bride | Flanschschraube | Torn embridado | Flänsskriv | | |
| 42 | VOE 976945 | 2 | | | | Washer | Rondelle | Scheibe | Arandela | Bricka | | |

| | | | | |
|---|--|---|-----------------------|------------|
| 1 | | Oljepåfyllning Relleno de aceite Öleinfüllung Remplissage d'huile Oilfiller STD, OPEN ROPS | Catalogue id | Group |
| 2 | | | 20007 | 420 |
| 3 | | | Illustr. No | Section |
| 4 | | | 1002466 | 150 |
| 5 | | | Issue | Page |
| | | | VOE 63D9920007 | 395 |

VOLVO

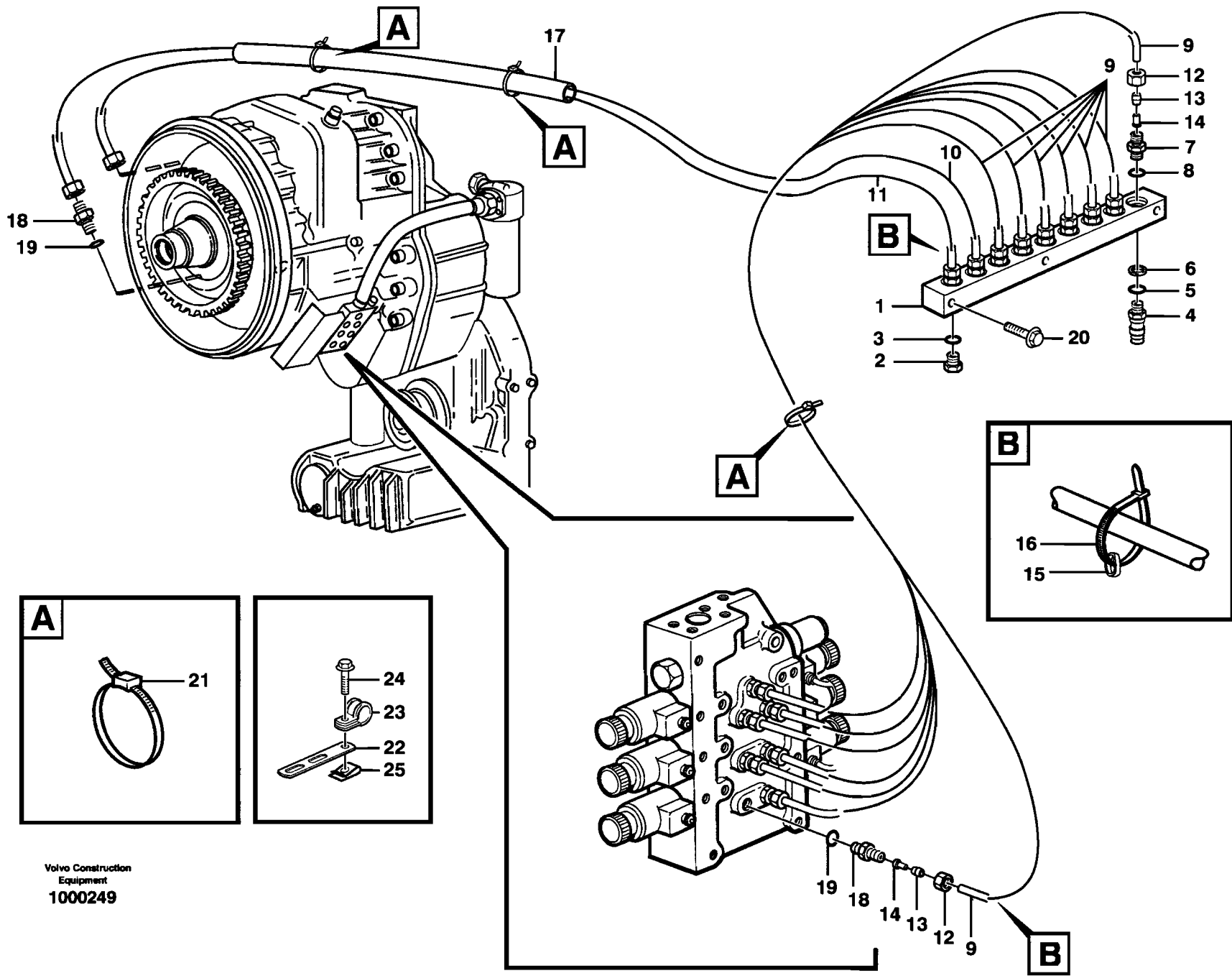
L90E



Volvo Construction
 Equipment
 1000249

| Fig. | Part No. | Quantity | | | P S | K I T | Description | Dénomination | Bezeichnung | Denominación | Benämning | Notes |
|------|--------------|----------|-----|---|--------|----------------------|-----------------------------|-----------------------|------------------------|-----------------------|-----------------|-------|
| | | 1 | 2 | 3 | | | | | | | | |
| | VOE 11172894 | 1 | 1 | | | Testing Block | Bloc Controle | Messblock | Bloque Medicion..... | Mätblock..... | | |
| 1 | VOE 11130884 | 1 | 1 | | | •Testing Block | •Bloc Controle | •Messblock..... | •Bloque Medicion | •Mätblock..... | | |
| 2 | VOE 926370 | 5 | 5 | | | •Plug | •Bouchon..... | •Stopfen | •Tapon..... | •Plugg..... | | |
| 3 | VOE 13949574 | 5 | 5 | | | •O-ring..... | •Joint Torique..... | •O-Ring..... | •Junta torica | •O-ring..... | | |
| 4 | VOE 930032 | 4 | 4 | | | •Testing Nipple..... | •Raccord contrôle..... | •Prufnippel..... | •Niple Medicion | •Mätnippel..... | | |
| 5 | VOE 931209 | 4 | 4 | | | ••O-ring | ••Joint Torique..... | ••O-Ring | ••Junta torica | ••O-ring..... | | |
| 6 | VOE 931216 | 4 | 4 | | | ••Back-up ring | ••Rondelle anti-extrus..... | ••Stützring | ••Anillo Apoyo..... | ••Stödtring..... | | |
| 7 | VOE 13963968 | 9 | 9 | | | •Nipple | •Raccord | •Nippel..... | •Niple..... | •Nippel..... | | |
| 8 | VOE 13949574 | 9 | 9 | | | •O-ring..... | •Joint Torique | •O-Ring..... | •Junta torica | •O-ring..... | | |
| 9 | VOE 944963 | REQ | REQ | | | •Plastic Pipe..... | •Tube Plastique..... | •Kunststoffrohr..... | •Tubo Plastico | •Plaströr..... | L = 7 x 2300 MM | |
| 10 | VOE 944963 | REQ | REQ | | | •Plastic Pipe..... | •Tube Plastique..... | •Kunststoffrohr..... | •Tubo Plastico | •Plaströr..... | L = 1400 MM | |
| 11 | VOE 944963 | REQ | REQ | | | •Plastic Pipe..... | •Tube Plastique..... | •Kunststoffrohr..... | •Tubo Plastico | •Plaströr..... | L = 1500 MM | |
| 12 | VOE 941521 | 18 | 18 | | | •Fitting Nut | •Ecrou Accouple..... | •Überwurfmutter | •Tuerca Acoplam..... | •Kopplingsmutter..... | | |
| 13 | VOE 13956967 | 18 | 18 | | | •Ferrule | •Bague Surete..... | •Schneidring | •Anillo Acoplam | •Skärring..... | | |
| 14 | VOE 13949361 | 18 | 18 | | | •Sleeve..... | •Douille..... | •Hülse..... | •Manguito | •Hylsa | | |
| 15 | VOE 4881451 | 2 | 2 | | | •Marking Sleeve..... | •Douill.marquage..... | •Kennhülse | •Manguit Marcaje | •Märkhylsa..... | YELL | |
| | VOE 4881452 | 2 | 2 | | | •Marking Sleeve..... | •Douill.marquage..... | •Kennhülse | •Manguit Marcaje | •Märkhylsa..... | WHITE | |
| | VOE 4881453 | 2 | 2 | | | •Marking Sleeve..... | •Douill.marquage..... | •Kennhülse | •Manguit Marcaje | •Märkhylsa..... | VIOL | |
| | VOE 4881454 | 2 | 2 | | | •Marking Sleeve..... | •Douill.marquage..... | •Kennhülse | •Manguit Marcaje | •Märkhylsa..... | PINK | |
| | VOE 4881455 | 2 | 2 | | | •Marking Sleeve..... | •Douill.marquage..... | •Kennhülse | •Manguit Marcaje | •Märkhylsa..... | RED | |
| | VOE 4881456 | 2 | 2 | | | •Marking Sleeve..... | •Douill.marquage..... | •Kennhülse | •Manguit Marcaje | •Märkhylsa..... | OR | |
| | VOE 4881457 | 2 | 2 | | | •Marking Sleeve..... | •Douill.marquage..... | •Kennhülse | •Manguit Marcaje | •Märkhylsa..... | GREEN | |
| | VOE 4881458 | 2 | 2 | | | •Marking Sleeve..... | •Douill.marquage..... | •Kennhülse | •Manguit Marcaje | •Märkhylsa..... | BR | |
| | VOE 4881459 | 2 | 2 | | | •Marking Sleeve..... | •Douill.marquage..... | •Kennhülse | •Manguit Marcaje | •Märkhylsa..... | BLUE | |
| 16 | VOE 4881440 | 2 | 3 | | | •Strip Clamp..... | •Ruban Serrage | •Kabelbinder..... | •Abraz Cinta | •Bandklamma..... | | |
| 17 | VOE 4803754 | REQ | REQ | | | •Hose | •Durit | •Schlauch | •Tubo flexible..... | •Slang..... | L = 1900 MM | |
| 18 | VOE 13963968 | 9 | 9 | | | Nipple..... | Raccord..... | Nippel..... | Niple..... | Nippel..... | | |
| 19 | VOE 13949574 | 9 | 9 | | | O-ring..... | Joint Torique | O-Ring..... | Junta torica..... | O-ring..... | | |
| 20 | VOE 13965187 | 2 | 2 | | | Flange screw..... | Vis à bride | Flanschschraube..... | Torn embridado..... | Flänskruv..... | | |
| 21 | VOE 4881440 | REQ | REQ | | | Strip Clamp..... | Ruban Serrage..... | Kabelbinder..... | Abraz Cinta | Bandklamma..... | | |

| | | | | |
|---|-----------------|--------------------|----------------|---------|
| 1 | 33278 | Mätblock | Catalogue id | Group |
| 2 | 33286 OPEN ROPS | Bloque de medición | 20007 | 420 |
| 3 | | Messblock | Illustr. No | Section |
| 4 | | Bloc de contrôle | 1000249 | 200 |
| 5 | | Testing block | Issue | Page |
| | | S/N - 21078 | VOE 63D9920007 | 397 |



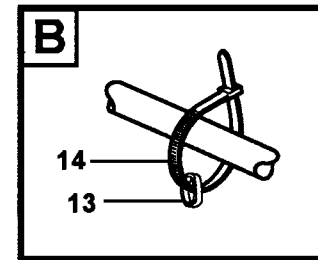
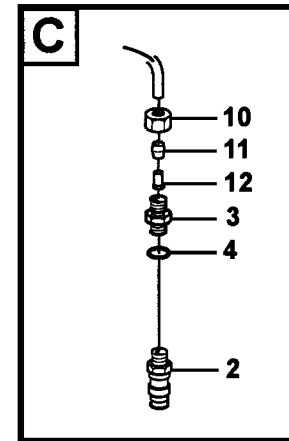
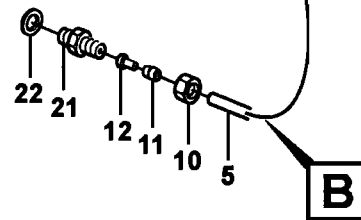
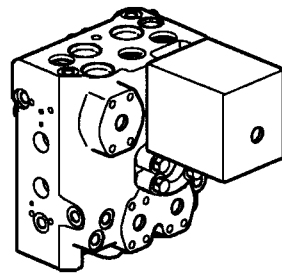
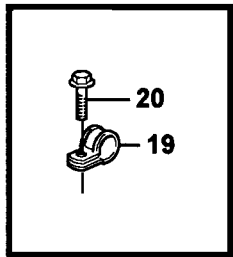
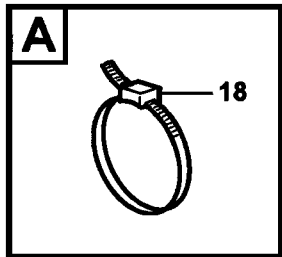
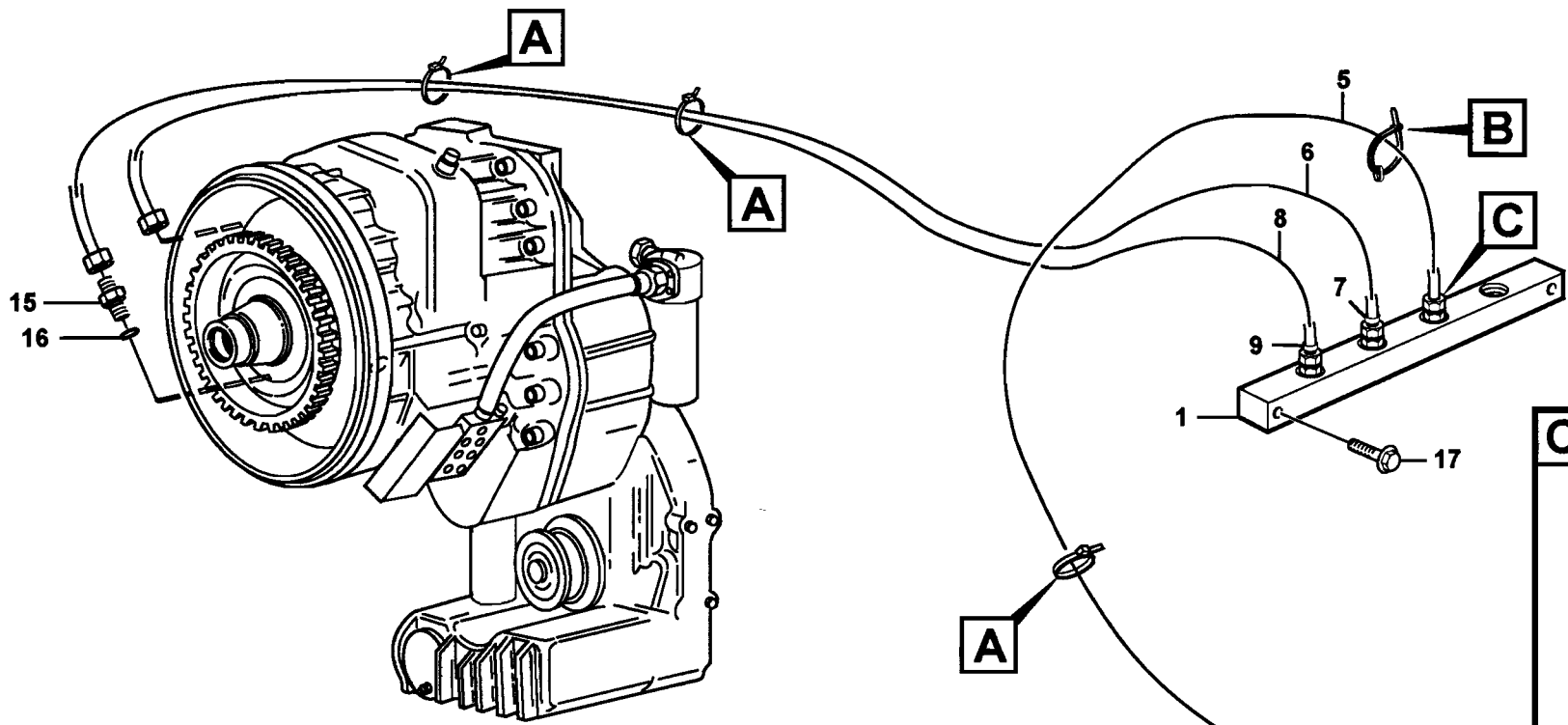
Volvo Construction
 Equipment
 1000249

| Fig. | Part No. | Quantity | | | P S | K I T | Description | Dénomination | Bezeichnung | Denominación | Benämning | Notes |
|------|--------------|----------|---|---|--------|-------------------|----------------------|-------------------------|---------------------|-------------------|-----------|-------|
| | | 1 | 2 | 3 | | | | | | | | |
| 22 | VOE 13965537 | 2 | 2 | | | Bracket..... | Ferrure-support..... | Tragstütze..... | Hierro Apoyo..... | Bärjärn..... | | |
| 23 | VOE 13949997 | 5 | 5 | | | Clamp..... | Pince Serrage..... | Klemme..... | Abrazadera..... | Klämna..... | | |
| 24 | VOE 946440 | 4 | 4 | | | Flange screw..... | Vis à bride..... | Flanschschraube..... | Torn embridado..... | Flänsskruv..... | | |
| 25 | VOE 13949867 | 2 | 2 | | | Spring Nut..... | Ecrou Ressort..... | Fed. Schliessmutter ... | Tuerca Resorte..... | Fjädermutter..... | | |

| | | | | |
|---|-----------------|---|----------------|------------|
| 1 | 33278 | Mätblock Bloque de medición Messblock Bloc de contrôle Testing block S/N - 21078 | Catalogue id | Group |
| 2 | 33286 OPEN ROPS | | 20007 | 420 |
| 3 | | | Illustr. No | Section |
| 4 | | | 1000249 | 200 |
| 5 | | | Issue | Page |
| | | | VOE 63D9920007 | 399 |

VOLVO

L90E



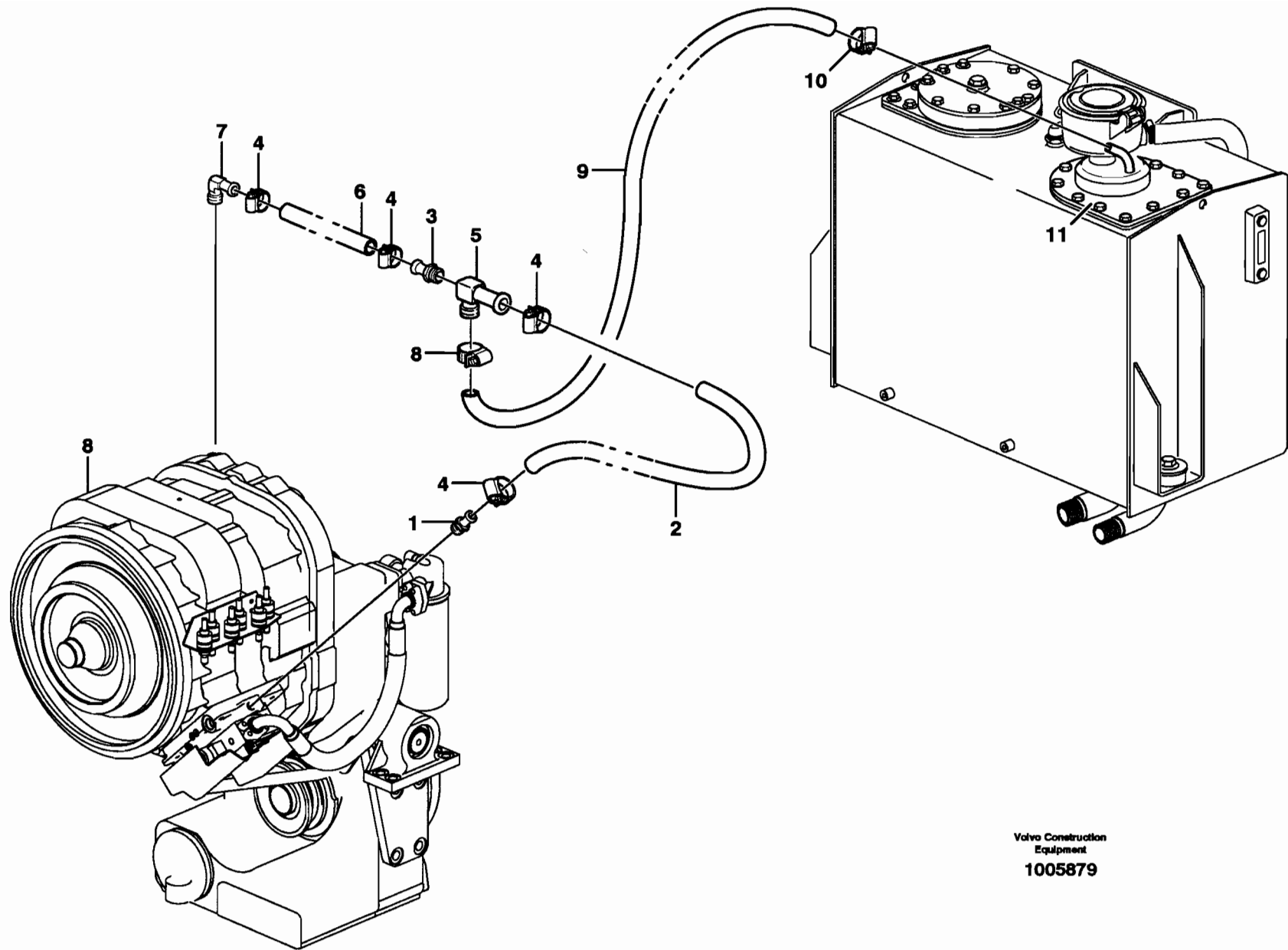
Volvo Construction
Equipment
1013734

| Fig. | Part No. | Quantity | | | P S | K T | Description | Dénomination | Bezeichnung | Denominación | Benämning | Notes |
|------|--------------|----------|---|---|--------|----------------------|-------------------------|-----------------------|------------------------|-----------------------|-------------|-------|
| | | 1 | 2 | 3 | | | | | | | | |
| | VOE 11410760 | 1 | | | | Testing Block | Bloc Controle | Messblock | Bloque Medicion..... | Mätblock..... | | |
| 1 | VOE 11410758 | 1 | | | | •Testing Block | •Bloc Controle | •Messblock | •Bloque Medicion | •Mätblock..... | | |
| 2 | VOE 936446 | 3 | | | | •Testing Nipple..... | •Raccord contrôle..... | •Prüfnippel..... | •Niple Medicion | •Mät nipple..... | | |
| 3 | VOE 11410833 | 3 | | | | •Nipple | •Raccord | •Nippel..... | •Niple..... | •Nippel..... | | |
| 4 | VOE 932039 | 3 | | | | •O-ring..... | •Joint Torique | •O-Ring..... | •Junta torica | •O-ring..... | | |
| 5 | VOE 11173463 | 1 | | | | •Hose assembly | •Conduit flexible | •Schlauchleitung..... | •Conducto..... | •Slangedning..... | L = 1200 MM | |
| 6 | VOE 944963 | REC | | | | •Plastic Pipe..... | •Tube Plastique | •Kunststoffrohr..... | •Tubo Plastico | •Plaströr..... | L = 1400 MM | |
| 7 | VOE 4881452 | 2 | | | | •Marking Sleeve..... | •Douill.marquage..... | •Kennhülse..... | •Manguit Marcaje | •Märkhylsa..... | | |
| 8 | VOE 944963 | REC | | | | •Plastic Pipe..... | •Tube Plastique | •Kunststoffrohr..... | •Tubo Plastico | •Plaströr..... | L = 1500 MM | |
| 9 | VOE 4881453 | 2 | | | | •Marking Sleeve..... | •Douill.marquage..... | •Kennhülse..... | •Manguit Marcaje | •Märkhylsa..... | | |
| 10 | VOE 941521 | 4 | | | | •Fitting Nut | •Ecrou Accouple..... | •Überwurfmutter | •Tuerca Acoplam..... | •Kopplingsmutter..... | | |
| 11 | VOE 13956967 | 4 | | | | •Ferrule | •Bague Surete..... | •Schneidring | •Anillo Acoplam | •Skärring..... | | |
| 12 | VOE 13949361 | 4 | | | | •Sleeve..... | •Douille | •Hülse..... | •Manguito | •Hylsa | | |
| 13 | VOE 4881455 | 1 | | | | Marking Sleeve | Douill.marquage..... | Kennhülse | Manguit Marcaje..... | Märkhylsa..... | | |
| 14 | VOE 14016673 | 2 | | | | Strip Clamp | Ruban Serrage..... | Kabelbinder | Abraz Cinta | Bandklamma..... | | |
| 15 | VOE 13963968 | 2 | | | | Nipple..... | Raccord..... | Nippel | Niple | Nippel..... | | |
| 16 | VOE 13949574 | 2 | | | | O-ring | Joint Torique | O-Ring..... | Junta torica..... | O-ring..... | | |
| 17 | VOE 13965187 | 2 | | | | Flange screw..... | Vis à bride | Flanschschraube..... | Tom embridado..... | Flänsskruv..... | | |
| 18 | VOE 4881440 | 5 | | | | Strip Clamp | Ruban Serrage..... | Kabelbinder | Abraz Cinta | Bandklamma..... | | |
| 19 | VOE 977742 | 1 | | | | Clamp..... | Pince Serrage | Klemme | Abrazadera..... | Klämma..... | | |
| 20 | VOE 946440 | 1 | | | | Flange screw..... | Vis à bride | Flanschschraube..... | Tom embridado..... | Flänsskruv..... | | |
| 21 | VOE 11173290 | 1 | | | | Nipple..... | Raccord..... | Nippel | Niple | Nippel..... | | |
| 22 | VOE 13945653 | 1 | | | | Plane Gasket | Joint Plan | Flachdichtung..... | Junta Plana | Planpackning..... | | |

| | | | | |
|---|--|---------------------------|-----------------------|------------|
| 1 | | Mätblock | Catalogue id | Group |
| 2 | | Bloque de medición | 20007 | 420 |
| 3 | | Messblock | Illustr. No | Section |
| 4 | | Bloc de contrôle | 1013734 | 250 |
| 5 | | Testing block | Issue | Page |
| | | S/N 21079 - | VOE 63D9920007 | 401 |

VOLVO

L90E



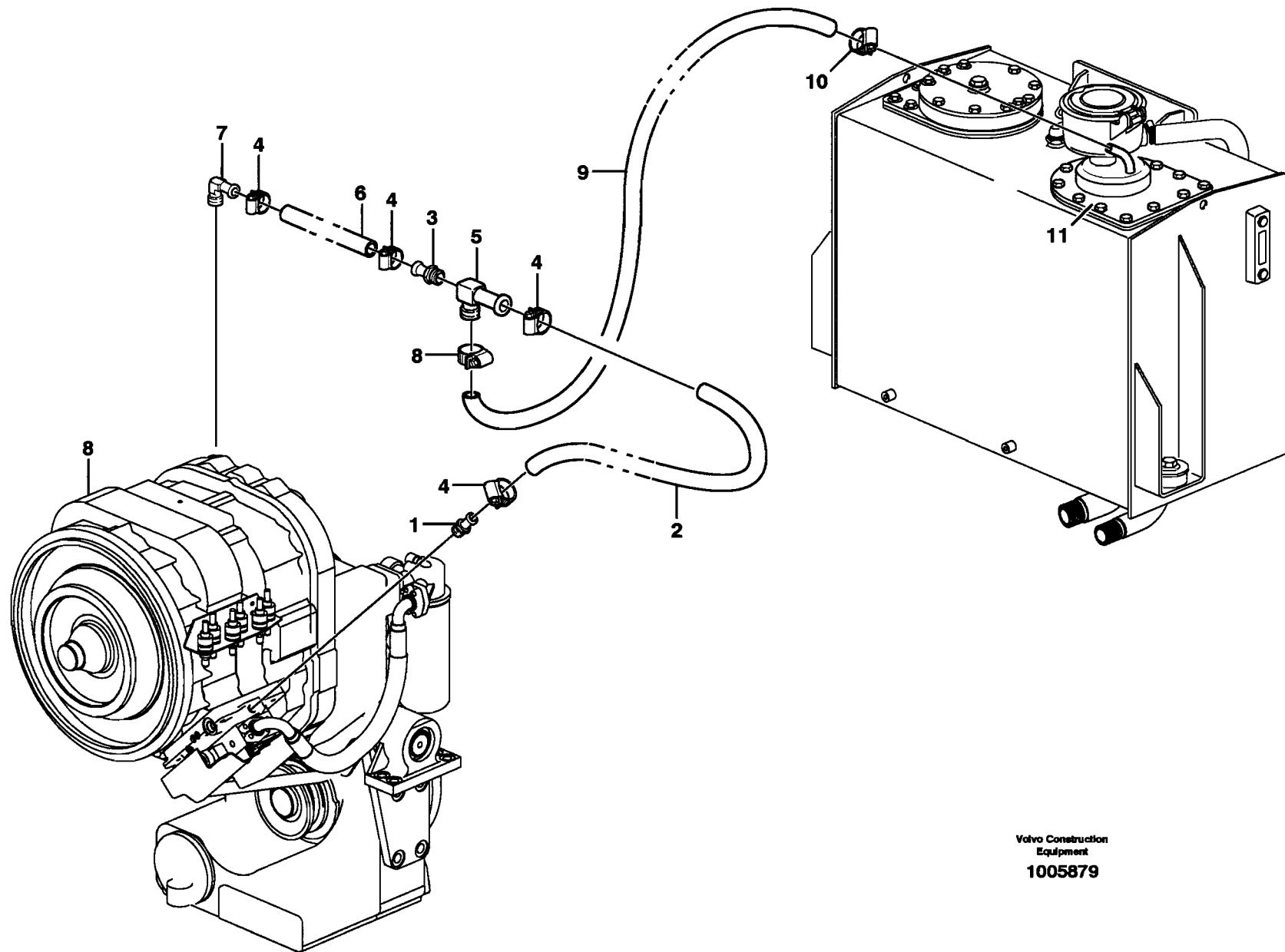
Volvo Construction
Equipment
1005879

| Fig. | Part No. | Quantity | | | P S | K I T | Description | Dénomination | Bezeichnung | Denominación | Benämning | Notes |
|------|--------------|----------|---|---|--------|-------------|---------------------|-----------------------|---------------------|-----------------------|--------------------|---|
| | | 1 | 2 | 3 | | | | | | | | |
| 1 | | 1 | | | | | Hose coupling | Raccor.flexible | Schlauchkupplg..... | Acoplam manguer | Slangkoppling..... | See group 421, Page 435 |
| 2 | VOE 13944075 | REQ | | | | | Rubber hose | Durit caoutcho..... | Gummischlauch | Manguera | Gummislang..... | L = 640 MM SER NO - 20004 |
| | VOE 13944075 | REQ | | | | | Rubber hose | Durit caoutcho..... | Gummischlauch | Manguera | Gummislang..... | L = 570MM,SER NO 20005- SER NO 66001 - USA SER NO 70801 - BRAZIL |
| 3 | VOE 942758 | | 1 | | | | Nipple..... | Raccord..... | Nippel..... | Niple..... | Nippel..... | SER NO 20005 - SER NO 66001 - USA SER NO 70801 - BRAZIL |
| 4 | VOE 943470 | | 2 | | | | Hose Clamp | Collier Serrage | Schlauchselle | Abraz Manguera..... | Slangklamma..... | SER NO - 20004 |
| | VOE 943470 | | 4 | | | | Hose Clamp | Collier Serrage | Schlauchselle | Abraz Manguera..... | Slangklamma..... | SER NO 20005 - SER NO 60001 - USA SER NO 70801 - BRAZIL |
| 5 | VOE 942722 | | 1 | | | | Nipple..... | Raccord..... | Nippel..... | Niple..... | Nippel..... | SER NO - 20004 |
| | VOE 419446 | | 1 | | | | Pipe..... | Canalisation | Rohrleitung..... | Canalizacion..... | Rör..... | SER NO 20005 - SER NO 66001 - USA SER NO 70801 - BRAZIL |
| 6 | VOE 943516 | | 1 | | | | Hose Nipple | Raccor.flexible | Schlauchnippel..... | Niple Manguera | Slangnippel..... | SER NO - 20004 |
| | VOE 13944075 | | 1 | | | | Rubber hose | Durit caoutcho..... | Gummischlauch | Manguera | Gummislang..... | L = 60MM, SER NO 20005 - SER NO 66001 - USA SER NO 70801 - BRAZIL |
| 7 | VOE 479954 | | 1 | | | | Nipple..... | Raccord..... | Nippel..... | Niple..... | Nippel..... | SER NO 20005 - SER NO 66001 - USA SER NO 70801 - BRAZIL |
| 8 | | | 1 | | | | Housing..... | Carter | Gehäuse..... | Carter | Hus..... | See group 421, Page 409 |

| | | | |
|---|--|-----------------------|------------|
| 1 | Ventilation för transmission Ventilación de transmisión Entlüftung für Transmission Aération de transmission Ventilation for transmission | Catalogue id | Group |
| 2 | | 20007 | 420 |
| 3 | | Illustr. No | Section |
| 4 | | 1005879 | 300 |
| 5 | | Issue | Page |
| | | VOE 63D9920007 | 403 |

VOLVO

L90E



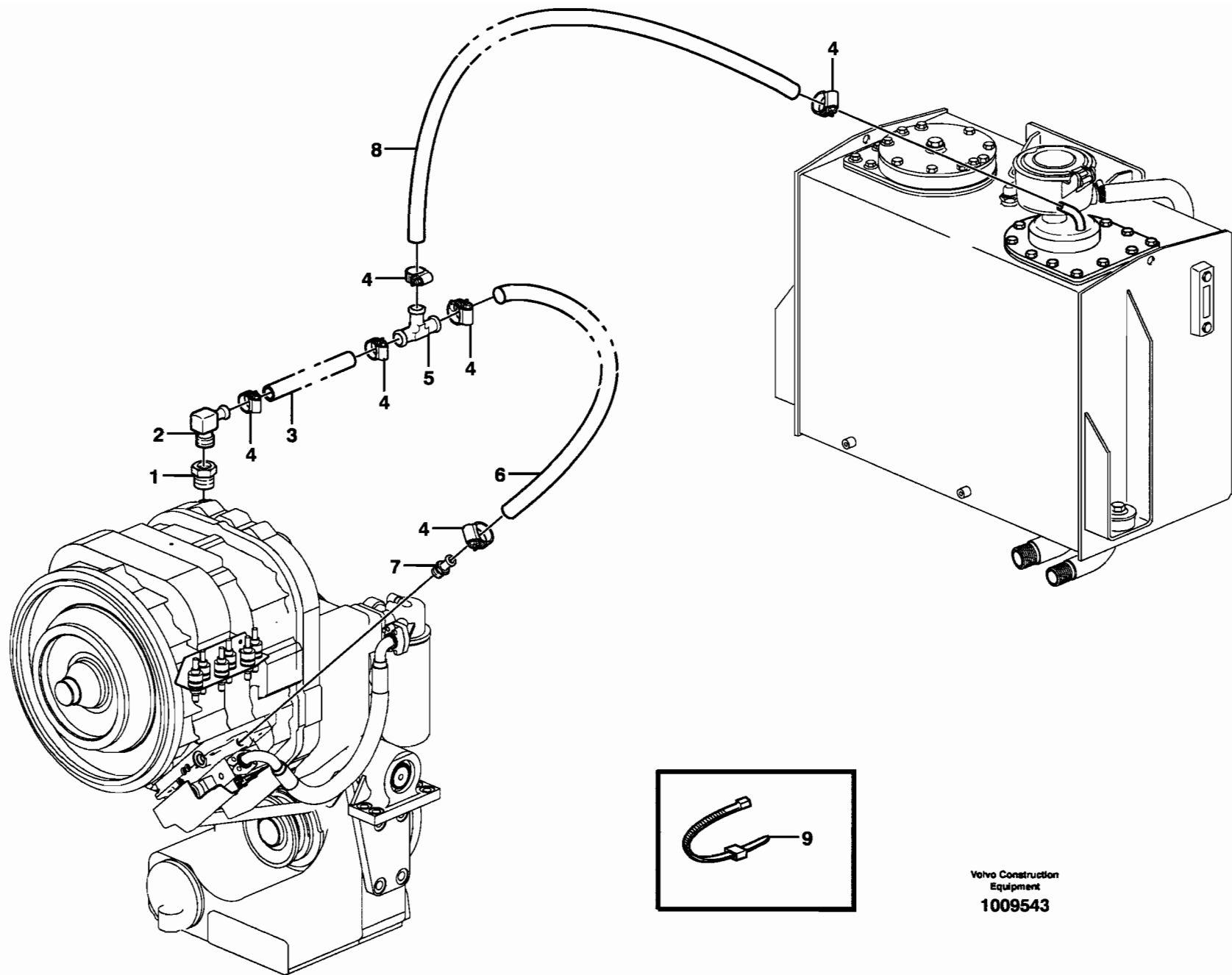
Volvo Construction
Equipment
1005879

| Fig. | Part No. | Quantity | | | P S | K I T | Description | Dénomination | Bezeichnung | Denominación | Benämning | Notes |
|------|--------------|----------|---|---|--------|-------------------|-----------------------|-----------------------|---------------------|------------------|---|-------|
| | | 1 | 2 | 3 | | | | | | | | |
| 9 | VOE 949995 | 1 | | | | Hose..... | Durit | Schlauch | Tubo flexible | Slang..... | L = 1350MM SER NO - 20004 | |
| | VOE 13944075 | 1 | | | | Rubber hose | Durit caoutcho..... | Gummischlauch | Manguera | Gummislang..... | L=1210MM, SER NO 20005 - SER NO 66001 - USA SER NO 70801 - BRAZIL | |
| 10 | VOE 13943474 | 2 | | | | Hose Clamp | Collier Serrage | Schlauchschelle | Abraz Manguera..... | Slangklamma..... | SER NO - 20004 | |
| | VOE 4881440 | 5 | | | | Strip Clamp | Ruban Serrage..... | Kabelbinder | Abraz Cinta | Bandklamma..... | SER NO 20005 - SER NO 66001 - USA SER NO 70801 - BRAZIL | |
| 11 | | 1 | | | | Cover | Couvercle..... | Deckel | Tapa | Lock..... | See group 911, Page 795 | |
| 12 | VOE 4881440 | 4 | | | | Strip Clamp | Ruban Serrage..... | Kabelbinder | Abraz Cinta | Bandklamma..... | | |

| | | | |
|---|--|-----------------------|------------|
| 1 | Ventilation för transmission Ventilación de transmisión Entlüftung für Transmission Aération de transmission Ventilation for transmission | Catalogue id | Group |
| 2 | | 20007 | 420 |
| 3 | | Illustr. No | Section |
| 4 | | 1005879 | 300 |
| 5 | | Issue | Page |
| | | VOE 63D9920007 | 405 |

VOLVO

L90E



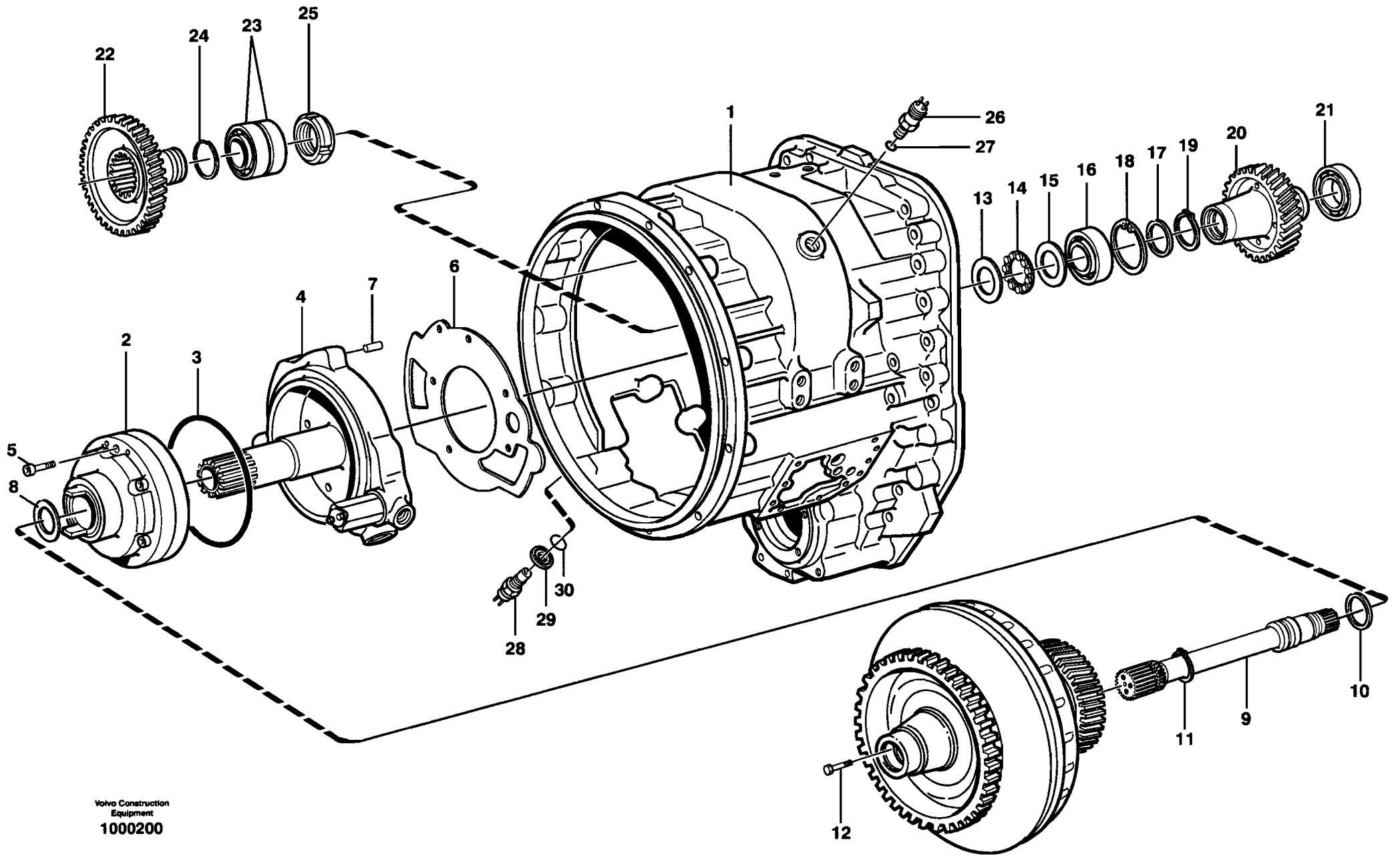
Volvo Construction
Equipment
1009543

| Fig. | Part No. | Quantity | | | P S | K I T | Description | Dénomination | Bezeichnung | Denominación | Benämning | Notes |
|------|--------------|----------|---|---|--------|-------------|-------------------|-----------------------|-----------------------|---------------------|------------------|-------------------------|
| | | 1 | 2 | 3 | | | | | | | | |
| 1 | VOE 479954 | 1 | | | | | Nipple..... | Raccord..... | Nippel..... | Niple..... | Nippel..... | |
| 2 | VOE 942758 | 1 | | | | | Nipple..... | Raccord..... | Nippel..... | Niple..... | Nippel..... | |
| 3 | VOE 13944075 | REQ | | | | | Rubber hose | Durit caoutcho..... | Gummischlauch | Manguera | Gummislang..... | L = 60MM |
| 4 | VOE 943470 | 6 | | | | | Hose Clamp | Collier Serrage | Schlauchschelle | Abraz Manguera..... | Slangklamma..... | 18 |
| 5 | VOE 419446 | 1 | | | | | Pipe..... | Canalisation | Rohrleitung..... | Canalizacion..... | Rör..... | |
| 6 | VOE 13944075 | REQ | | | | | Rubber hose | Durit caoutcho..... | Gummischlauch | Manguera | Gummislang..... | L = 570MM |
| 7 | | 1 | | | | | Nipple..... | Raccord..... | Nippel..... | Niple..... | Nippel..... | See group 421, Page 435 |
| 8 | VOE 13944075 | REQ | | | | | Rubber hose | Durit caoutcho..... | Gummischlauch | Manguera | Gummislang..... | L = 1210MM |
| 9 | VOE 4881440 | 5 | | | | | Strip Clamp | Ruban Serrage..... | Kabelbinder | Abraz Cinta | Bandklamma..... | |

| | | | |
|---|--|-----------------------|------------|
| 1 | Ventilation för transmission Ventilación de transmisión Entlüftung für Transmission Aération de transmission Ventilation for transmission 33286 OPEN ROPS | Catalogue id | Group |
| 2 | | 20007 | 420 |
| 3 | | Illustr. No | Section |
| 4 | | 1009543 | 310 |
| 5 | | Issue | Page |
| | | VOE 63D9920007 | 407 |

VOLVO

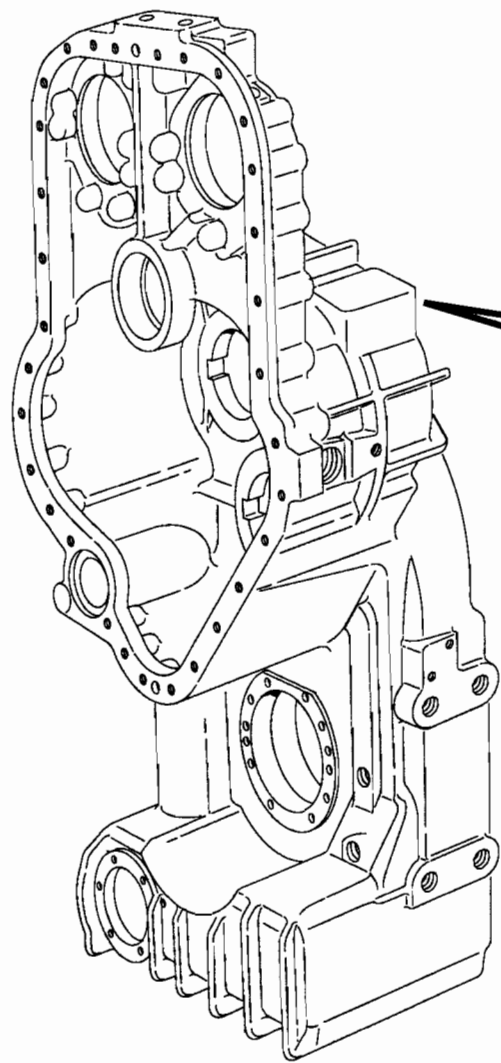
L90E



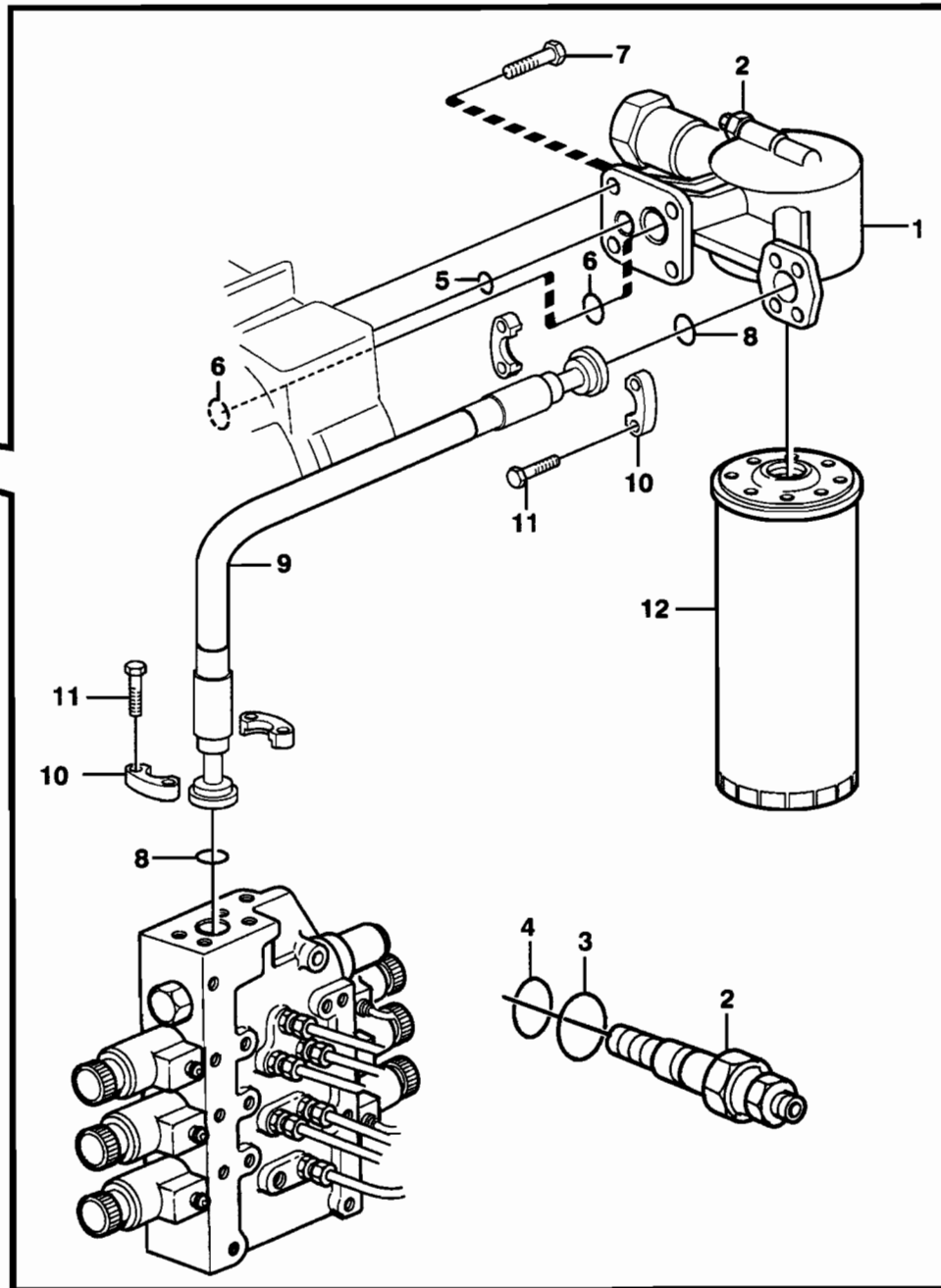
Volvo Construction
Equipment
1000200

| Fig. | Part No. | Quantity | | | P S | K I T | Description | Dénomination | Bezeichnung | Denominación | Benämning | Notes |
|------|--------------|----------|---|---|--------|---------------------|--------------------------|-----------------------|-------------------------|--------------------|----------------|-------|
| | | 1 | 2 | 3 | | | | | | | | |
| 1 | VOE 11145178 | 1 | 1 | | | Housing..... | Carter..... | Gehäuse..... | Carter..... | Hus..... | | |
| 2 | VOE 11145264 | 1 | 1 | | | Pump..... | Pompe..... | Pumpe..... | Bomba..... | Pump..... | | |
| 3 | VOE 11706833 | 1 | 1 | | | •O-ring..... | •Joint Torique..... | •O-Ring..... | •Junta torica..... | •O-ring..... | | |
| 4 | VOE 11144404 | 1 | 1 | | | Converter Base..... | Base Convertis..... | Wandlerger~st..... | Base Convertid..... | Momentomv.fot..... | | |
| 5 | VOE 959250 | 6 | 6 | | | Allen Hd Screw..... | Vis A 6 Pans Cr..... | Inbusschraube..... | Torn Hex Embut..... | Insexskruv..... | | |
| 6 | VOE 11145410 | 1 | 1 | | | Gasket..... | Joint..... | Dichtung..... | Junta..... | Packning..... | (VOE 11144930) | |
| 7 | VOE 11036468 | 1 | 1 | | | Locating pin..... | Goupille guide..... | Führungsstift..... | Pasador guia..... | Styrpinne..... | | |
| 8 | VOE 4720798 | 1 | 1 | | | Piston ring..... | Segment de piston..... | Kolbenring..... | Segmento de piston..... | Kolvring..... | | |
| 9 | VOE 11037660 | 1 | 1 | | | Shaft..... | Arbre..... | Welle..... | Arbol..... | Axel..... | | |
| 10 | VOE 11037019 | 1 | 1 | | | Piston ring..... | Segment de piston..... | Kolbenring..... | Segmento de piston..... | Kolvring..... | | |
| 11 | VOE 13947902 | 1 | 1 | | | Lock Ring..... | Anneau Verrouillage..... | Schlossring..... | Anillo Segurid..... | Låsring..... | | |
| 12 | VOE 959241 | 3 | 3 | | | Allen Hd Screw..... | Vis A 6 Pans Cr..... | Inbusschraube..... | Torn Hex Embut..... | Insexskruv..... | | |
| 13 | VOE 184230 | 1 | 1 | | | Bearing..... | Palier..... | Lager..... | Cojinete..... | Lager..... | | |
| 14 | VOE 184336 | 1 | 1 | | | Roller Bearing..... | Roulement rouleaux..... | Rollenlager..... | Cojinet Rodillo..... | Rullager..... | | |
| 15 | VOE 184212 | 1 | 1 | | | Bearing..... | Palier..... | Lager..... | Cojinete..... | Lager..... | | |
| 16 | VOE 183124 | 1 | 1 | | | Roller Bearing..... | Roulement rouleaux..... | Rollenlager..... | Cojinet Rodillo..... | Rullager..... | | |
| 17 | VOE 11037682 | 1 | 1 | | | Washer..... | Rondelle..... | Scheibe..... | Arandela..... | Bricka..... | | |
| 18 | VOE 13949905 | 1 | 1 | | | Snap Ring..... | Circlip..... | Nutring..... | Circlip..... | Spårring..... | | |
| 19 | VOE 11037180 | 1 | 1 | | | Snap Ring..... | Circlip..... | Nutring..... | Circlip..... | Spårring..... | | |
| 20 | VOE 11144940 | 1 | 1 | | | Gear..... | Pignon..... | Zahnrad..... | Engranaje..... | Kuggghjul..... | | |
| 21 | VOE 184853 | 1 | 1 | | | Roller Bearing..... | Roulement rouleaux..... | Rollenlager..... | Cojinet Rodillo..... | Rullager..... | | |
| 22 | VOE 11037273 | 2 | 1 | | | Gear..... | Pignon..... | Zahnrad..... | Engranaje..... | Kuggghjul..... | | |
| 23 | VOE 11037809 | 2 | 1 | | | Roller Bearing..... | Roulement rouleaux..... | Rollenlager..... | Cojinet Rodillo..... | Rullager..... | | |
| 24 | VOE 11037479 | 2 | 1 | | | Snap Ring..... | Circlip..... | Nutring..... | Circlip..... | Spårring..... | | |
| 25 | VOE 11037807 | 2 | 1 | | | Lock nut..... | Contre-ecrou..... | Sicherungsmutter..... | Contratuerca..... | Låsmutter..... | | |
| 26 | VOE 4780941 | 1 | 1 | | | Ind Sensor..... | Emett.induction..... | Induktionsgeber..... | Sensor Inducc..... | Indukt.givare..... | SE201 | |
| 27 | VOE 967750 | 1 | 1 | | | O-ring..... | Joint torique..... | O-Ring..... | Anillo torico..... | O-ring..... | | |
| 28 | VOE 11039557 | 1 | 1 | | | Ind Sensor..... | Emett.induction..... | Induktionsgeber..... | Sensor Inducc..... | Indukt.givare..... | SE402 | |
| 29 | VOE 11144969 | 1 | 1 | | | Spacer Washer..... | Rond.entretoise..... | Abstandscheibe..... | Arandela Dist..... | Distansbricka..... | | |
| 30 | VOE 944458 | 1 | 1 | | | O-ring..... | Joint Torique..... | O-Ring..... | Junta torica..... | O-ring..... | | |

| | | | | |
|---|-------|---|----------------|---------|
| 1 | 22523 | Momentomvandlarhus, drev och axlar Caja del convertidor, engranajes y ejes Wandlergehäuse, Zahnräder und Wellen Boîtier convertisseur, engrenages et arbres Converter housing, gears and shafts | Catalogue id | Group |
| 2 | 22548 | | 20007 | 421 |
| 3 | | | Illustr. No | Section |
| 4 | | | 1000200 | 100 |
| 5 | | | Issue | Page |
| | | | VOE 63D9920007 | 409 |



Valve Construction
Equipment
1011502

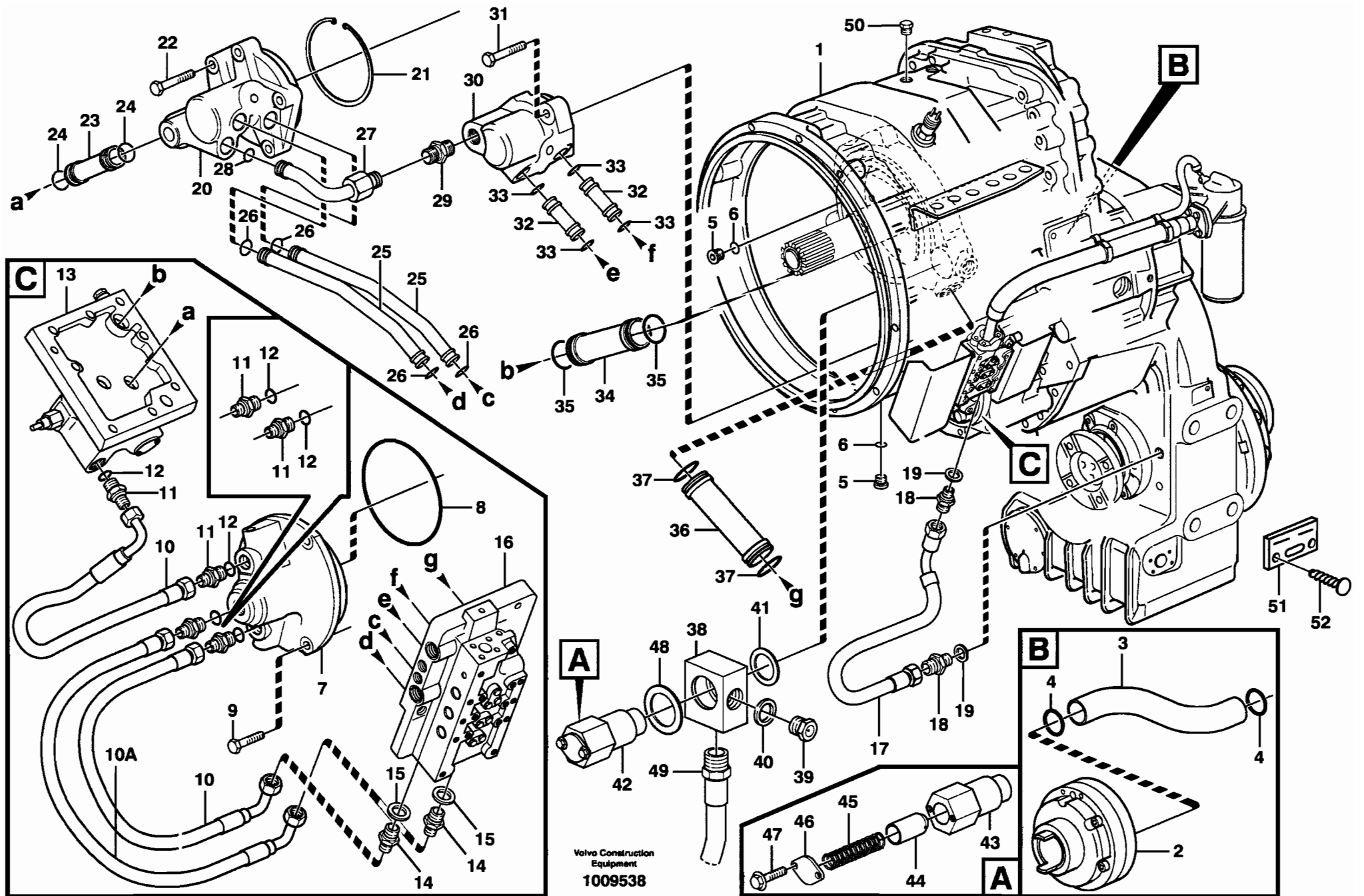


| Fig. | Part No. | Quantity | | | P S | K I T | Description | Dénomination | Bezeichnung | Denominación | Benämning | Notes |
|------|--------------|----------|---|---|--------|-------------|------------------------|------------------------|----------------------|----------------------|--------------------|----------------|
| | | 1 | 2 | 3 | | | | | | | | |
| 1 | VOE 11145105 | 1 | | | | | Filter Retainer | Porte-filtre | Filtertopf | Soporte Filtro..... | Filterhållare..... | |
| 2 | VOE 11705881 | 1 | | | | | •Sensor | •Capteur | •Geber | •Captador | •Givare..... | SE401 |
| 3 | VOE 11708246 | 1 | | | | | •O-ring..... | •Joint Torique | •O-Ring..... | •Junta torica | •O-ring..... | |
| 4 | VOE 942978 | 1 | | | | | •O-ring..... | •Joint Torique | •O-Ring..... | •Junta torica | •O-ring..... | (VOE 11708247) |
| 5 | VOE 13949410 | 1 | | | | | O-ring..... | Joint Torique | O-Ring..... | Junta torica | O-ring..... | |
| 6 | VOE 976041 | 2 | | | | | O-ring..... | Joint Torique | O-Ring..... | Junta torica | O-ring..... | |
| 7 | VOE 946472 | 4 | | | | | Flange screw..... | Vis à bride | Flanschschraube..... | Torn embridado..... | Flänsskruv..... | |
| 8 | VOE 13948700 | 2 | | | | | O-ring..... | Joint Torique | O-Ring..... | Junta torica | O-ring..... | |
| 9 | VOE 11145192 | 1 | | | | | Hose assembly | Conduit flexible | Schlauchleitung..... | Conducto..... | Slangedning..... | L = 710 MM |
| 10 | VOE 11015455 | 4 | | | | | Flange Half..... | Demi-bride | Flanschhälfte..... | Media brida | Flänshalva..... | |
| 11 | VOE 13946752 | 8 | | | | | Screw..... | Vis..... | Schraube..... | Tornillo | Skruv..... | |
| 12 | VOE 11037868 | 1 | | | | | Filter Cartridge | Element Filtre..... | Filterpatrone | Patron Filtrant..... | Filterpatron..... | |

| | | | |
|---|---|-----------------------|------------|
| 1 | Oljefilter Filtro de aceite Ölfiter Filtre à huile Oil filter 22523, 22548 | Catalogue id | Group |
| 2 | | 20007 | 421 |
| 3 | | Illustr. No | Section |
| 4 | | 1011502 | 150 |
| 5 | | Issue | Page |
| | | VOE 63D9920007 | 411 |

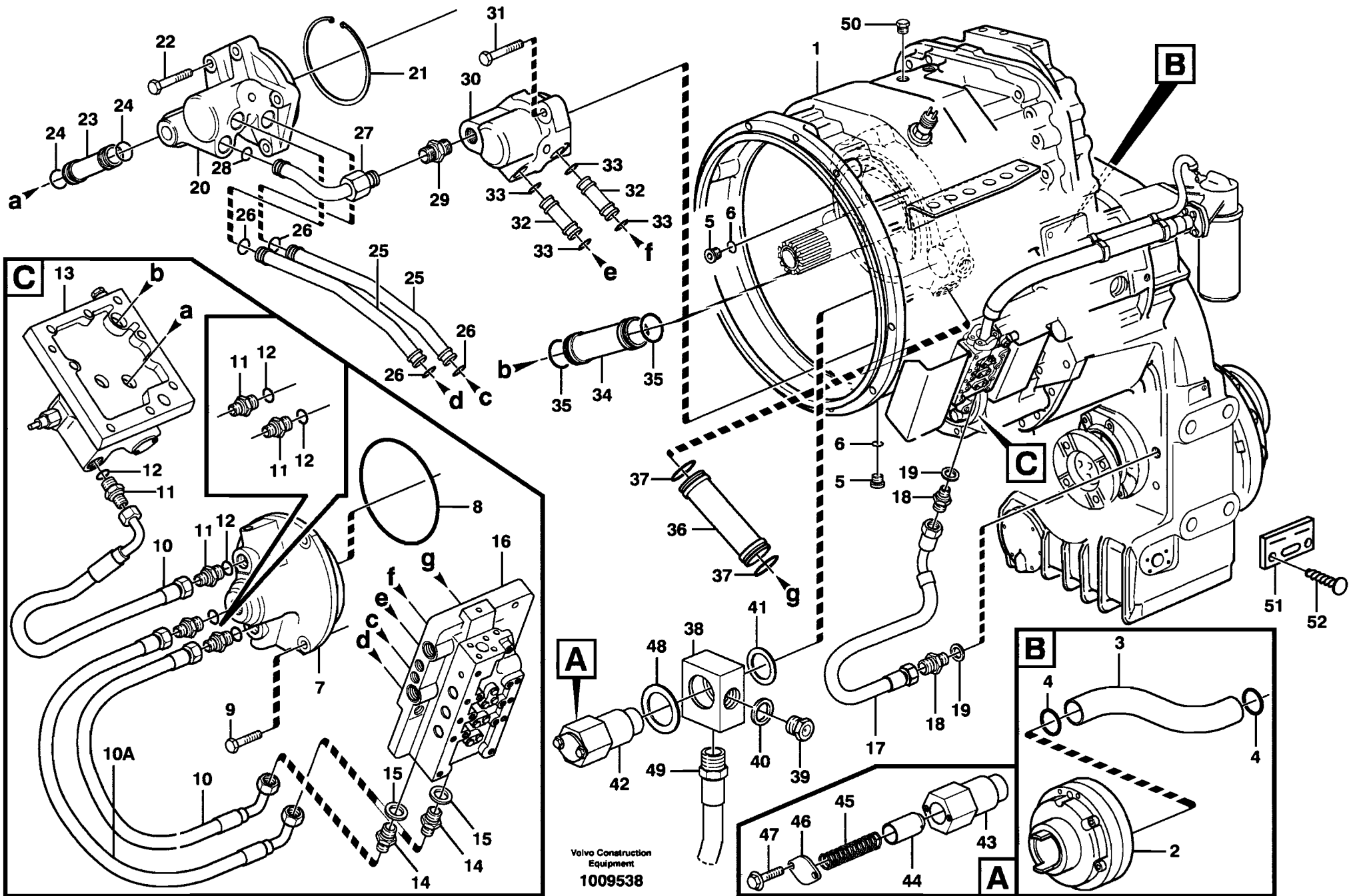
VOLVO

L90E



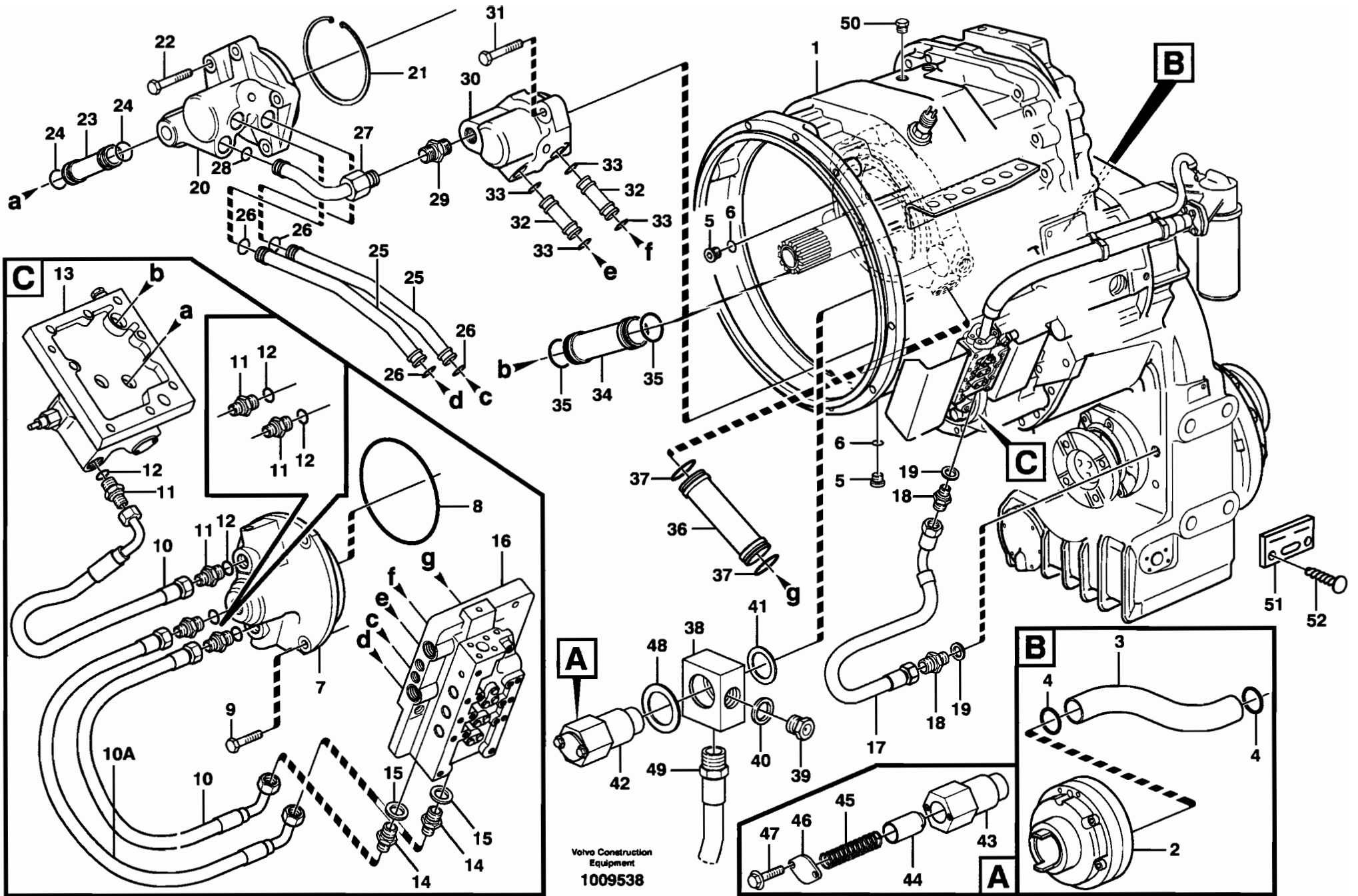
| Fig. | Part No. | Quantity | | | P S | K I T | Description | Dénomination | Bezeichnung | Denominación | Benämning | Notes |
|------|--------------|----------|---|---|--------|------------------------|------------------------|-----------------------|------------------------|----------------------|---|-------|
| | | 1 | 2 | 3 | | | | | | | | |
| 1 | | 1 | 1 | | | Housing..... | Carter | Gehäuse..... | Carter | Hus..... | See group 421, Page 409 | |
| 2 | | 1 | 1 | | | Fuel filling pump..... | Pompe carburant | Betankungspumpe | Bomba combustible..... | Tankningspump..... | See group 421, Page 409 | |
| 3 | VOE 11144497 | 1 | 1 | | | Pipe..... | Canalisation | Rohrleitung..... | Canalizacion..... | Rör..... | | |
| 4 | VOE 976041 | 2 | 2 | | | O-ring..... | Joint Torique | O-Ring..... | Junta torica..... | O-ring..... | | |
| 5 | VOE 13968614 | 2 | 2 | | | Plug..... | Bouchon..... | Stopfen..... | Tapon..... | Plugg..... | | |
| 6 | VOE 13968561 | 2 | 2 | | | O-ring..... | Joint Torique | O-Ring..... | Junta torica..... | O-ring..... | | |
| 7 | VOE 11038395 | 1 | 1 | | | Oil Distributor | Distribut.huile | Ölverteiler..... | Distrib Aceite | Oljefördelare..... | | |
| 8 | VOE 925263 | 1 | 1 | | | O-ring..... | Joint Torique | O-Ring..... | Junta torica..... | O-ring..... | | |
| 9 | VOE 13947760 | 4 | 4 | | | Flange screw..... | Vis à bride | Flanschschraube..... | Torn embridado..... | Flänskruv..... | | |
| 10 | VOE 11145413 | 2 | 2 | | | Hose assembly | Conduit flexible | Schlauchleitung..... | Conducto..... | Slangledning..... | (VOE 13933708) HT - 10933 L = 350MM | |
| | VOE 11145413 | | 1 | | | Hose assembly | Conduit flexible | Schlauchleitung..... | Conducto..... | Slangledning..... | HT 10934 - | |
| 10A | VOE 13932775 | 1 | 1 | | | Hose assembly | Conduit flexible | Schlauchleitung..... | Conducto..... | Slangledning..... | HT - 10933 | |
| | VOE 11418052 | | 2 | | | Hose assembly | Conduit flexible | Schlauchleitung..... | Conducto..... | Slangledning..... | HT 10934 - | |
| 11 | VOE 957031 | 4 | 4 | | | Nipple..... | Raccord..... | Nippel..... | Niple..... | Nippel..... | | |
| 12 | VOE 958226 | 4 | 4 | | | O-ring..... | Joint Torique | O-Ring..... | Junta torica..... | O-ring..... | | |
| 13 | | 1 | 1 | | | Lub oil valve..... | Soup.huil.grai..... | Schmierventil..... | Valv lubricac..... | Smörjoljeventil..... | See group 421, Page 431 | |
| 14 | VOE 981018 | 2 | 2 | | | Nipple..... | Raccord..... | Nippel..... | Niple..... | Nippel..... | | |
| 15 | VOE 4881251 | 2 | 2 | | | Plane Gasket | Joint Plan | Flachdichtung..... | Junta Plana | Planpackning..... | | |
| 16 | | 1 | 1 | | | Gear sel valve..... | Valv.selectrice..... | Umsteuerventil..... | Valv sel veloc..... | Växelvälj.vent..... | See group 421, Page 435 | |
| 17 | VOE 11145414 | 1 | 1 | | | Hose assembly | Conduit flexible | Schlauchleitung..... | Conducto..... | Slangledning..... | (VOE 13933748) HT - 10933 L = 450MM | |
| | VOE 11145414 | | 1 | | | Hose assembly | Conduit flexible | Schlauchleitung..... | Conducto..... | Slangledning..... | HT 10934 - | |
| 18 | VOE 13943987 | 2 | 2 | | | Nipple..... | Raccord..... | Nippel..... | Niple..... | Nippel..... | | |
| 19 | VOE 4881251 | 2 | 2 | | | Plane Gasket | Joint Plan | Flachdichtung..... | Junta Plana | Planpackning..... | | |
| 20 | VOE 11038393 | 1 | 1 | | | Oil Distributor | Distribut.huile | Ölverteiler..... | Distrib Aceite | Oljefördelare..... | | |
| 21 | VOE 11037186 | 1 | 1 | | | Snap Ring | Circlip..... | Nutring..... | Circlip | Spårring..... | | |
| 22 | VOE 13947760 | 4 | 4 | | | Flange screw..... | Vis à bride | Flanschschraube..... | Torn embridado..... | Flänskruv..... | | |

| | | | | |
|---|-------|--|----------------|---------|
| 1 | 22523 | Oljefördelare och rör Distribuidor de aceite, tubos Ölverteiler und Rohr Distributeur d'huile, tuyaux Oil distributor and tube | Catalogue id | Group |
| 2 | 22548 | | 20007 | 421 |
| 3 | | | Illustr. No | Section |
| 4 | | | 1009538 | 200 |
| 5 | | | Issue | Page |
| | | | VOE 63D9920007 | 413 |



| Fig. | Part No. | Quantity | | | P S | K I T | Description | Dénomination | Bezeichnung | Denominación | Benämning | Notes |
|------|--------------|----------|---|---|--------|----------------------|-----------------------------|-----------------------|----------------------|----------------------|-----------|-------|
| | | 1 | 2 | 3 | | | | | | | | |
| 23 | VOE 11144081 | 1 | 1 | | | Pipe..... | Canalisation..... | Rohrleitung..... | Canalización..... | Rör..... | | |
| 24 | VOE 13949656 | 2 | 2 | | | O-ring..... | Joint Torique..... | O-Ring..... | Junta torica..... | O-ring..... | | |
| 25 | VOE 11144407 | 2 | 2 | | | Pipe..... | Canalisation..... | Rohrleitung..... | Canalización..... | Rör..... | | |
| 26 | VOE 968007 | 4 | 4 | | | O-ring..... | Joint Torique..... | O-Ring..... | Junta torica..... | O-ring..... | | |
| 27 | VOE 11144406 | 1 | 1 | | | Pipe..... | Canalisation..... | Rohrleitung..... | Canalización..... | Rör..... | | |
| 28 | VOE 968007 | 1 | 1 | | | O-ring..... | Joint Torique..... | O-Ring..... | Junta torica..... | O-ring..... | | |
| 29 | VOE 931227 | 1 | 1 | | | Nipple..... | Raccord..... | Nippel..... | Niple..... | Nippel..... | | |
| | VOE 931211 | 1 | 1 | | | •O-ring..... | •Joint Torique..... | •O-Ring..... | •Junta torica..... | •O-ring..... | | |
| | VOE 931218 | 1 | 1 | | | •Back-up ring..... | •Rondelle anti-extrusi..... | •Stützring..... | •Anillo Apoyo..... | •Stödring..... | | |
| 30 | VOE 11144617 | 1 | 1 | | | Oil Distributor..... | Distribut.huile..... | Ölverteiler..... | Distrib Aceite..... | Oljefördelare..... | | |
| 31 | VOE 13947760 | 2 | 2 | | | Flange screw..... | Vis à bride..... | Flanschschraube..... | Torn embridado..... | Flänsskruv..... | | |
| 32 | VOE 11144077 | 2 | 2 | | | Pipe..... | Canalisation..... | Rohrleitung..... | Canalización..... | Rör..... | | |
| 33 | VOE 968007 | 4 | 4 | | | O-ring..... | Joint Torique..... | O-Ring..... | Junta torica..... | O-ring..... | | |
| 34 | VOE 11144086 | 1 | 1 | | | Pipe..... | Canalisation..... | Rohrleitung..... | Canalización..... | Rör..... | | |
| 35 | VOE 944126 | 2 | 2 | | | O-ring..... | Joint Torique..... | O-Ring..... | Junta torica..... | O-ring..... | | |
| 36 | VOE 11144087 | 1 | 1 | | | Pipe..... | Canalisation..... | Rohrleitung..... | Canalización..... | Rör..... | | |
| 37 | VOE 944126 | 2 | 2 | | | O-ring..... | Joint Torique..... | O-Ring..... | Junta torica..... | O-ring..... | | |
| 38 | VOE 11144858 | 1 | 1 | | | Sleeve..... | Douille..... | Hülse..... | Manguito..... | Hylsa..... | | |
| 39 | VOE 11144859 | 1 | 1 | | | Plug..... | Bouchon..... | Stopfen..... | Tapon..... | Plugg..... | | |
| 40 | VOE 13947627 | 1 | 1 | | | Plane Gasket..... | Joint Plan..... | Flachdichtung..... | Junta Plana..... | Planpackning..... | | |
| 41 | VOE 13960150 | 1 | 1 | | | Washer..... | Rondelle..... | Scheibe..... | Arandela..... | Bricka..... | | |
| 42 | VOE 11144910 | 1 | 1 | | | Safety Valve..... | Valve de securite..... | Sicherheitsvent..... | Valv Seguridad..... | Säkerhetsventil..... | | |
| 43 | | 1 | 1 | | NS | •Valve housing..... | •Carter soupape..... | •Ventilgehäuse..... | •Cuerpo valvula..... | •Ventilhus..... | | |
| 44 | VOE 11036776 | 1 | 1 | | | •Piston..... | •Piston..... | •Kolben..... | •Piston..... | •Kolv..... | | |
| 45 | VOE 11036777 | 1 | 1 | | | •Spring..... | •Ressort..... | •Feder..... | •Muelle..... | •Fjäder..... | | |
| 46 | VOE 4718062 | 1 | 1 | | | •Cover..... | •Couvercle..... | •Deckel..... | •Tapa..... | •Lock..... | | |
| 47 | VOE 13946544 | 2 | 2 | | | •Flange screw..... | •Vis à bride..... | •Flanschschraube..... | •Torn embridado..... | •Flänsskruv..... | | |
| 48 | VOE 120291 | 1 | 1 | | | Washer..... | Rondelle..... | Scheibe..... | Arandela..... | Bricka..... | | |
| 49 | VOE 11144952 | 1 | 1 | | | Hose assembly..... | Conduit flexible..... | Schlauchleitung..... | Conducto..... | Slangledning..... | | |
| 50 | VOE 479956 | 1 | 1 | | | Plug..... | Bouchon..... | Stopfen..... | Tapon..... | Plugg..... | | |

| | | | | |
|---|-------|---|----------------|------------|
| 1 | 22523 | Oljefördelare och rör Distribuidor de aceite, tubos Ölverteiler und Rohr Distributeur d'huile, tuyaux Oil distributor and tube | Catalogue id | Group |
| 2 | 22548 | | 20007 | 421 |
| 3 | | | Illustr. No | Section |
| 4 | | | 1009538 | 200 |
| 5 | | | Issue | Page |
| | | VOE 63D9920007 | 415 | |



Volvo Construction
Equipment
1009538

| Fig. | Part No. | Quantity | | | P S | K I T | Description | Dénomination | Bezeichnung | Denominación | Benämning | Notes |
|------|------------|----------|---|---|--------|------------------|---------------------|---------------------|-----------------------|-------------------|-----------|-------|
| | | 1 | 2 | 3 | | | | | | | | |
| 51 | | 1 | 1 | | NS | Part Plate | Matricule Art. | Typenschild | Chapa Identific | Artikelskylt..... | | |
| 52 | VOE 950891 | | 2 | | | Drive Screw..... | Vis Commande | Durchsetzschr | Tornillo Motriz..... | Drivskruv..... | | |

| | | | | |
|---|-------|--|----------------|---------|
| 1 | 22523 | Oljefördelare och rör Distribuidor de aceite, tubos Ölverteiler und Rohr Distributeur d'huile, tuyaux Oil distributor and tube | Catalogue id | Group |
| 2 | 22548 | | 20007 | 421 |
| 3 | | | Illustr. No | Section |
| 4 | | | 1009538 | 200 |
| 5 | | | Issue | Page |
| | | | VOE 63D9920007 | 417 |

VOLVO

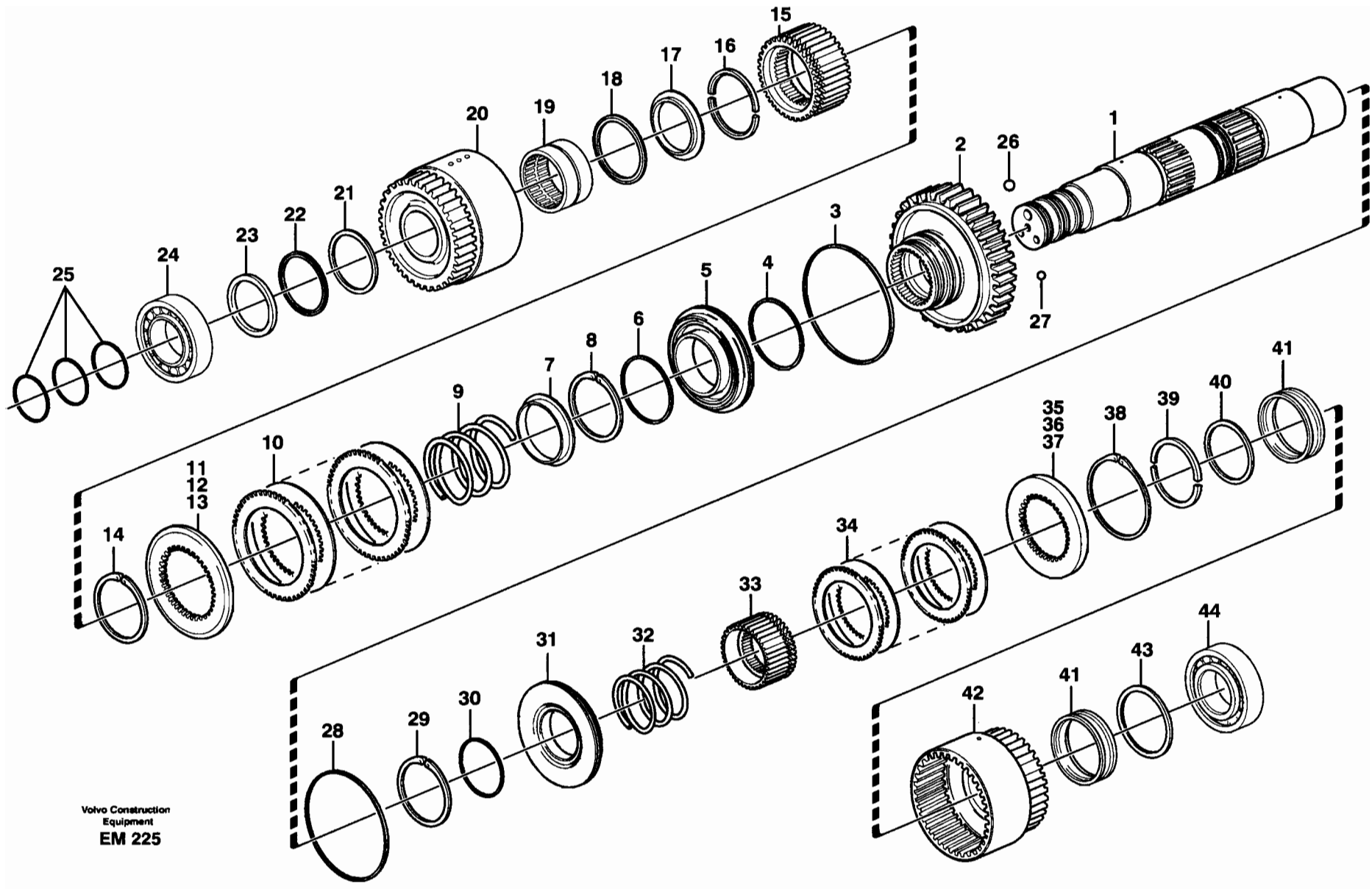
L90E

| Fig. | Part No. | Quantity | | | P S | K I T | Description | Dénomination | Bezeichnung | Denominación | Benämning | Notes |
|------|--------------|----------|---|---|--------|-------------|------------------|---------------------|-----------------|---------------------|-----------------|-----------------|
| | | 1 | 2 | 3 | | | | | | | | |
| | VOE 11145392 | 1 | | | | | Hydr Clutch | Accoupl Hydraul | Hydr Kuppl | Acopl Hidraul | Hydraulkoppling | (VOE 11145258) |
| 1 | VOE 11144024 | 1 | | | | | •Clutch Shaft | •Arbre Embrayage | •Kupplungswelle | •Eje Acoplam | •Kopplingsaxel | |
| 2 | VOE 11144026 | 1 | | | | | •Gear | •Pignon | •Zahnrad | •Engranaje | •Kuggjul | |
| 3 | VOE 4720864 | 1 | | | | | •Piston ring | •Segment de piston | •Kolbenring | •Segmento de piston | •Kolvring | |
| 4 | VOE 4720865 | 1 | | | | | •Piston ring | •Segment de piston | •Kolbenring | •Segmento de piston | •Kolvring | |
| 5 | VOE 11144458 | 1 | | | | | •Piston | •Piston | •Kolben | •Piston | •Kolv | |
| 6 | VOE 4871223 | 1 | | | | | •Piston ring | •Segment de piston | •Kolbenring | •Segmento de piston | •Kolvring | |
| 7 | VOE 4720854 | 1 | | | | | •Spring Retainer | •Retenue Ressort | •Federlager | •Soporte Resorte | •Fjäderhållare | |
| 8 | VOE 11037189 | 1 | | | | | •Snap Ring | •Circlip | •Nutring | •Circlip | •Spärring | |
| 9 | VOE 11037195 | 1 | | | | | •Spring | •Ressort | •Feder | •Muelle | •Fjäder | |
| 10 | VOE 11144604 | 1 | | | | | •Disc Kit | •Jeu Disques | •Lamellensatz | •Juego Frenos | •Lamellsats | |
| 11 | VOE 11144607 | REQ | | | | | •Pressure Plate | •Platea.pression | •Druckplatte | •Placa Presion | •Tryckplatta | THICK = 20.1 MM |
| 12 | VOE 11144608 | REQ | | | | | •Pressure Plate | •Platea.pression | •Druckplatte | •Placa Presion | •Tryckplatta | THICK = 20.8 MM |
| 13 | VOE 11144609 | REQ | | | | | •Pressure Plate | •Platea.pression | •Druckplatte | •Placa Presion | •Tryckplatta | THICK = 21.6 MM |
| 14 | VOE 13949928 | 1 | | | | | •Snap Ring | •Circlip | •Nutring | •Circlip | •Spärring | |
| 15 | VOE 11144023 | 1 | | | | | •Clutch Hub | •Moyeu Embrayage | •Kupplungsnav | •Cubo Embrague | •Kopplingsnav | |
| 16 | VOE 4871337 | 1 | | | | | •Retainer | •Retenue | •Halter | •Soporte | •Hållare | |
| 17 | VOE 11145104 | 1 | | | | | •Thrust Washer | •Rondelle Butee | •Druckscheibe | •Arandela Presio | •Tryckbricka | |
| 18 | VOE 184347 | 1 | | | | | •Roller And Cage | •Bague Rouleaux | •Rollenkäfig | •Conjunto Aro | •Rullkrans | |
| 19 | VOE 11145265 | 1 | | | | | •Needle Bearing | •Roule.aiguilles | •Nadellager | •Cojinete Agujas | •Nållager | |
| 20 | VOE 11144031 | 1 | | | | | •Gear | •Pignon | •Zahnrad | •Engranaje | •Kuggjul | |
| 21 | VOE 4871338 | 1 | | | | | •Thrust Washer | •Rondelle Butee | •Druckscheibe | •Arandela Presio | •Tryckbricka | |
| 22 | VOE 4785772 | 1 | | | | | •Needle Bearing | •Roule.aiguilles | •Nadellager | •Cojinete Agujas | •Nållager | |
| 23 | VOE 4871208 | 1 | | | | | •Washer | •Rondelle | •Scheibe | •Arandela | •Bricka | |
| 24 | VOE 181006 | 1 | | | | | •Roller Bearing | •Roulement rouleaux | •Rollenlager | •Cojinet Rodillo | •Rullager | |
| 25 | VOE 11037814 | 3 | | | | | •Piston ring | •Segment de piston | •Kolbenring | •Segmento de piston | •Kolvring | |
| 26 | VOE 11037637 | 1 | | | | | •Ball | •Bille | •Kugel | •Bola | •Kula | OD = 10,5 MM |
| 27 | VOE 184645 | 1 | | | | | •Ball | •Bille | •Kugel | •Bola | •Kula | OD = 8,5 MM |
| 28 | VOE 4720864 | 1 | | | | | •Piston ring | •Segment de piston | •Kolbenring | •Segmento de piston | •Kolvring | |
| 29 | VOE 11037183 | 1 | | | | | •Snap Ring | •Circlip | •Nutring | •Circlip | •Spärring | |

| | | | | |
|---|--|---|----------------|---------|
| 1 | | Hydraulkoppling, fram / 1-an | Catalogue id | Group |
| 2 | | Embrague hidráulic, adelante / 1a velocidad | 20007 | 421 |
| 3 | | Hydraulikkupplung, vorwärts / 1. Gang | Illustr. No | Section |
| 4 | | Accouplement hydraulique, avant / 1er | EM225 | 250 |
| 5 | | Hydraulic clutch, forward / 1 st speed | Issue | Page |
| | | 22523, 22548 | VOE 63D9920007 | 419 |

VOLVO

L90E



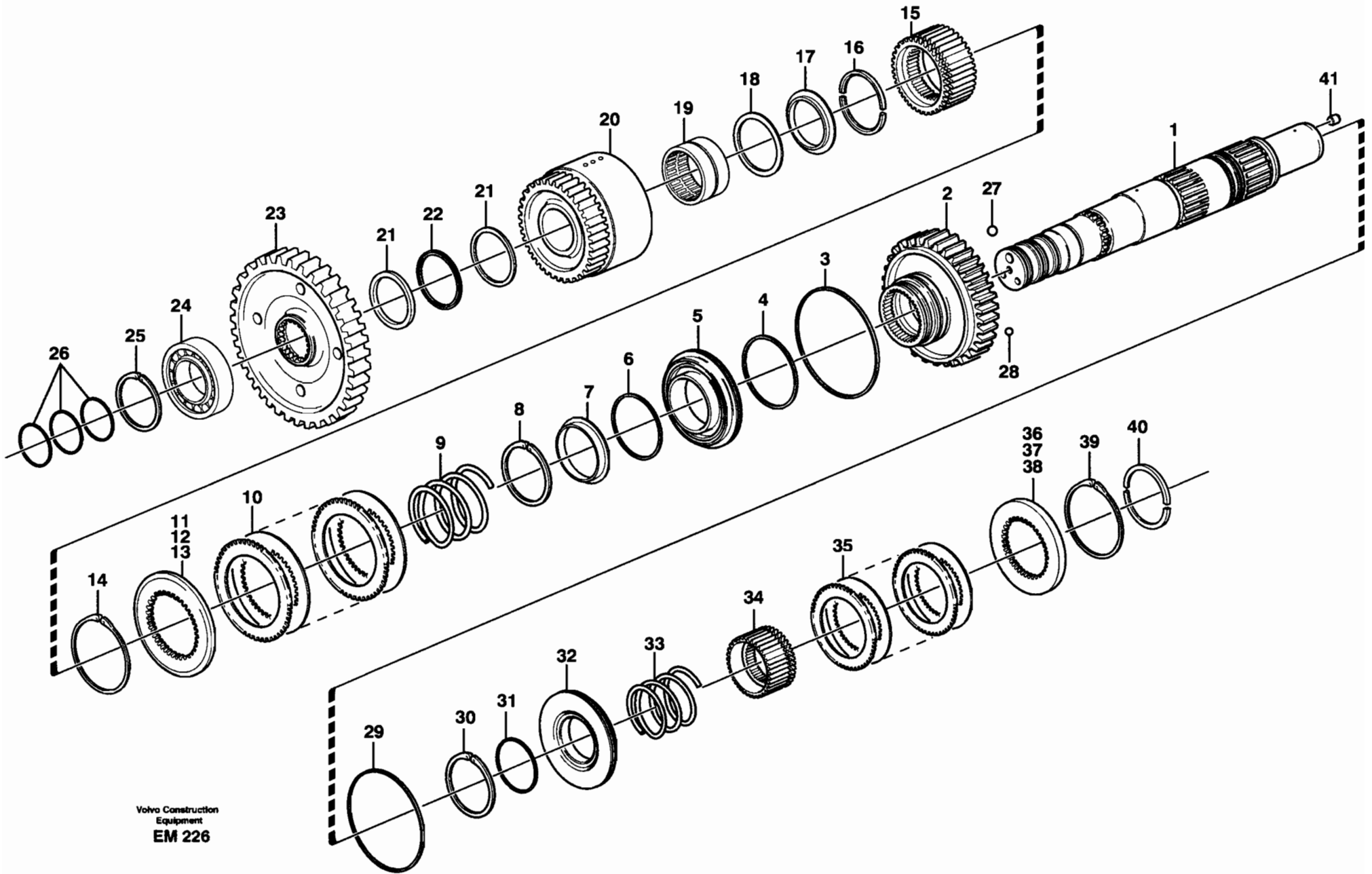
Volvo Construction
Equipment
EM 225

| Fig. | Part No. | Quantity | | | P S | K T | Description | Dénomination | Bezeichnung | Denominación | Benämning | Notes |
|------|--------------|----------|---|---|--------|--------|----------------------|------------------------|-----------------------|-----------------------|--------------------|------------------|
| | | 1 | 2 | 3 | | | | | | | | |
| 30 | VOE 4871428 | 1 | | | | | •Piston ring..... | •Segment de piston.... | •Kolbenring..... | •Segmento de piston.. | •Kolvring..... | |
| 31 | VOE 11144634 | 1 | | | | | •Piston..... | •Piston..... | •Kolben..... | •Piston..... | •Kolv..... | |
| 32 | VOE 4871532 | 1 | | | | | •Spring..... | •Ressort..... | •Feder..... | •Muelle..... | •Fjäder..... | |
| 33 | VOE 11144459 | 1 | | | | | •Clutch Hub..... | •Moyeu Embrayage.... | •Kupplungsnahe..... | •Cubo Embrague..... | •Kopplingsnav..... | |
| 34 | VOE 11145196 | 1 | | | | | •Disc Kit..... | •Jeu Disques..... | •Lamellensatz..... | •Juego Frenos..... | •Lamellsats..... | |
| 35 | VOE 11145193 | REQ | | | | | •Pressure Plate..... | •Platea.pression..... | •Druckplatte..... | •Placa Presion..... | •Tryckplatta..... | THICK = 13.0 MM |
| 36 | VOE 11145194 | REQ | | | | | •Pressure Plate..... | •Platea.pression..... | •Druckplatte..... | •Placa Presion..... | •Tryckplatta..... | THICK = 13.75 MM |
| 37 | VOE 11144446 | REQ | | | | | •Pressure Plate..... | •Platea.pression..... | •Druckplatte..... | •Placa Presion..... | •Tryckplatta..... | THICK = 14.55 MM |
| 38 | VOE 11037827 | 1 | | | | | •Lock Ring..... | •Anneau Verrouillage.. | •Schlossring..... | •Anillo Segurid..... | •Låsring..... | |
| 39 | VOE 4871337 | 1 | | | | | •Retainer..... | •Retenue..... | •Halte..... | •Soporte..... | •Hållare..... | |
| 40 | VOE 11037622 | 1 | | | | | •Wear Ring..... | •Bague Usure..... | •Verschleissring..... | •Anillo Desgaste..... | •Slitring..... | |
| 41 | VOE 11145404 | 2 | | | | | •Roller Cage..... | •Cage Rouleaux..... | •Rollenkäfig..... | •Reten Rodillo..... | •Rullhållare..... | (VOE 11037078) |
| 42 | VOE 11145204 | 1 | | | | | •Gear..... | •Pignon..... | •Zahnradgetriebe..... | •Engranaje..... | •Kuggdrev..... | |
| 43 | VOE 11037887 | 1 | | | | | •Wear Ring..... | •Bague Usure..... | •Verschleissring..... | •Anillo Desgaste..... | •Slitring..... | |
| 44 | VOE 11037584 | 1 | | | | | •Roller Bearing..... | •Roulement rouleaux.. | •Rollenlager..... | •Cojinet Rodillo..... | •Rullager..... | |

| | | | |
|---|---|----------------|---------|
| 1 | Hydraulkoppling, fram / 1-an | Catalogue id | Group |
| 2 | Embrague hidráulic, adelante / 1a velocidad | 20007 | 421 |
| 3 | Hydraulikkupplung, vorwärts / 1. Gang | Illustr. No | Section |
| 4 | Accouplement hydraulique, avant / 1er | EM225 | 250 |
| 5 | Hydraulic clutch, forward / 1 st speed | Issue | Page |
| | 22523, 22548 | VOE 63D9920007 | 421 |

VOLVO

L90E



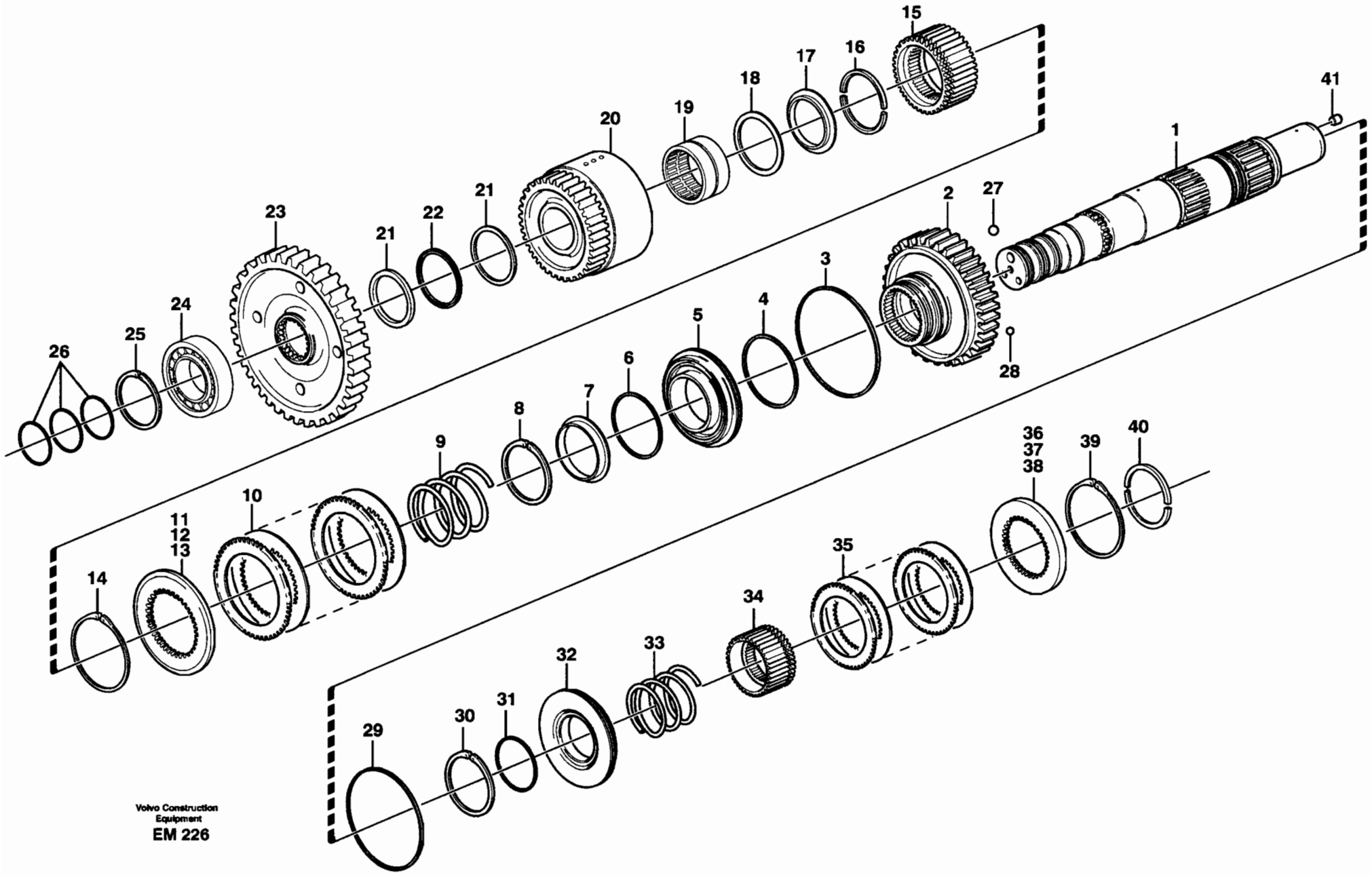
Volvo Construction
Equipment
EM 226

| Fig. | Part No. | Quantity | | | P S | K I T | Description | Dénomination | Bezeichnung | Denominación | Benämning | Notes |
|------|--------------|----------|---|---|--------|-------------|------------------|---------------------|-----------------|---------------------|-----------------|-----------------|
| | | 1 | 2 | 3 | | | | | | | | |
| | VOE 11145276 | 1 | | | | | Hydr Clutch | Accoupl Hydraul | Hydr Kuppl | Acopl Hidraul | Hydraulkoppling | |
| 1 | VOE 11144025 | 1 | | | | | •Clutch Shaft | •Arbre Embrayage | •Kupplungswelle | •Eje Acoplam | •Kopplingsaxel | |
| 2 | VOE 11144027 | 1 | | | | | •Gear | •Pignon | •Zahnrad | •Engranaje | •Kugghjul | |
| 3 | VOE 4720864 | 1 | | | | | •Piston ring | •Segment de piston | •Kolbenring | •Segmento de piston | •Kolvring | |
| 4 | VOE 4720865 | 1 | | | | | •Piston ring | •Segment de piston | •Kolbenring | •Segmento de piston | •Kolvring | |
| 5 | VOE 11144458 | 1 | | | | | •Piston | •Piston | •Kolben | •Piston | •Kolv | |
| 6 | VOE 4871223 | 1 | | | | | •Piston ring | •Segment de piston | •Kolbenring | •Segmento de piston | •Kolvring | |
| 7 | VOE 4720854 | 1 | | | | | •Spring Retainer | •Retenue Ressort | •Federlager | •Soporte Resorte | •Fjäderhållare | |
| 8 | VOE 11037189 | 1 | | | | | •Snap Ring | •Circlip | •Nutring | •Circlip | •Spårring | |
| 9 | VOE 11037195 | 1 | | | | | •Spring | •Ressort | •Feder | •Muelle | •Fjäder | |
| 10 | VOE 11144604 | 1 | | | | | •Disc Kit | •Jeu Disques | •Lamellensatz | •Juego Frenos | •Lamellsats | |
| 11 | VOE 11144607 | REQ | | | | | •Pressure Plate | •Platea.pression | •Druckplatte | •Placa Presion | •Tryckplatta | THICK = 20.1 MM |
| 12 | VOE 11144608 | REQ | | | | | •Pressure Plate | •Platea.pression | •Druckplatte | •Placa Presion | •Tryckplatta | THICK = 20.8 MM |
| 13 | VOE 11144609 | REQ | | | | | •Pressure Plate | •Platea.pression | •Druckplatte | •Placa Presion | •Tryckplatta | THICK = 21.6 MM |
| 14 | VOE 13949928 | 1 | | | | | •Snap Ring | •Circlip | •Nutring | •Circlip | •Spårring | |
| 15 | VOE 11144023 | 1 | | | | | •Clutch Hub | •Moyeu Embrayage | •Kupplungsnabe | •Cubo Embrague | •Kopplingsnav | |
| 16 | VOE 4871337 | 1 | | | | | •Retainer | •Retenue | •Halter | •Soporte | •Hållare | |
| 17 | VOE 11145104 | 1 | | | | | •Thrust Washer | •Rondelle Butee | •Druckscheibe | •Arandela Presio | •Tryckbricka | |
| 18 | VOE 184347 | 1 | | | | | •Roller And Cage | •Bague Rouleaux | •Rollenkäfig | •Conjunto Aro | •Rullkrans | |
| 19 | VOE 11145265 | 1 | | | | | •Needle Bearing | •Roule.aiguilles | •Nadellager | •Cojinete Agujas | •Nållager | |
| 20 | VOE 11144031 | 1 | | | | | •Gear | •Pignon | •Zahnrad | •Engranaje | •Kugghjul | |
| 21 | VOE 4871338 | 2 | | | | | •Thrust Washer | •Rondelle Butee | •Druckscheibe | •Arandela Presio | •Tryckbricka | |
| 22 | VOE 4785772 | 1 | | | | | •Needle Bearing | •Roule.aiguilles | •Nadellager | •Cojinete Agujas | •Nållager | |
| 23 | VOE 11037272 | 1 | | | | | •Gear | •Pignon | •Zahnrad | •Engranaje | •Kugghjul | |
| 24 | VOE 11144999 | 1 | | | | | •Roller Bearing | •Roulement rouleaux | •Rollenlager | •Cojinet Rodillo | •Rullager | |
| 25 | VOE 11037179 | 1 | | | | | •Snap Ring | •Circlip | •Nutring | •Circlip | •Spårring | |
| 26 | VOE 11037814 | 3 | | | | | •Piston ring | •Segment de piston | •Kolbenring | •Segmento de piston | •Kolvring | |
| 27 | VOE 11037637 | 1 | | | | | •Ball | •Bille | •Kugel | •Bola | •Kula | OD = 10,5 MM |
| 28 | VOE 184645 | 1 | | | | | •Ball | •Bille | •Kugel | •Bola | •Kula | OD = 8,5 MM |
| 29 | VOE 4720864 | 1 | | | | | •Piston ring | •Segment de piston | •Kolbenring | •Segmento de piston | •Kolvring | |

| | | | | |
|---|--|--|----------------|---------|
| 1 | | Hydraulkoppling, back / 2-an | Catalogue id | Group |
| 2 | | Embrague hidrúalic, atrás / 2a velocidad | 20007 | 421 |
| 3 | | Hydraulikkupplung, rückwärts / 2. Gang | Illustr. No | Section |
| 4 | | Accouplement hydraulique, arrière / 2ème | EM226 | 300 |
| 5 | | Hydraulic clutch, reverse / 2nd speed | Issue | Page |
| | | 22523, 22548 | VOE 63D9920007 | 423 |

VOLVO

L90E



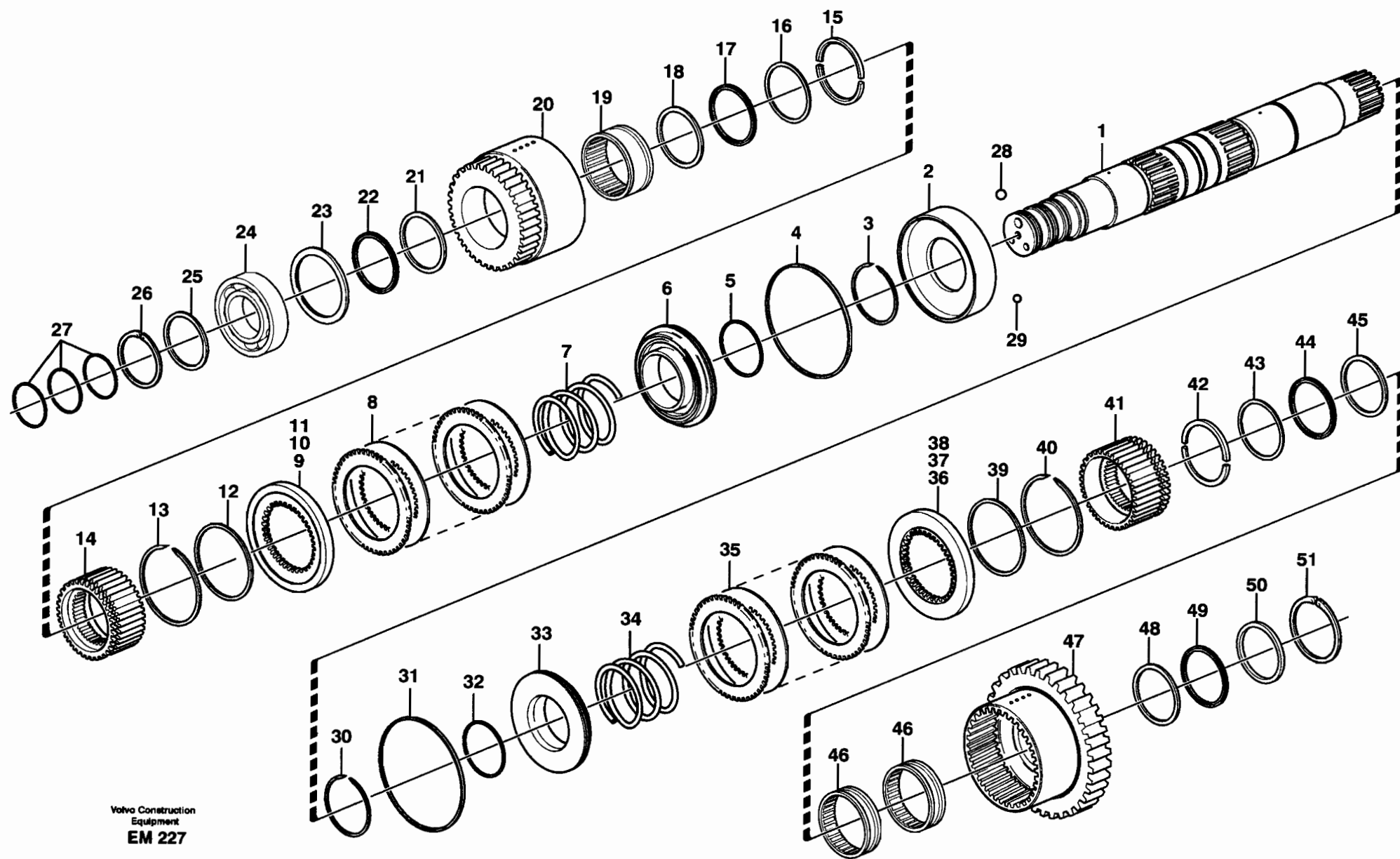
Volvo Construction
Equipment
EM 226

| Fig. | Part No. | Quantity | | | P S | K I T | Description | Dénomination | Bezeichnung | Denominación | Benämning | Notes |
|------|--------------|----------|---|---|--------|-------------|----------------------|---------------------------|---------------------|--------------------------|---------------------|------------------|
| | | 1 | 2 | 3 | | | | | | | | |
| 30 | VOE 11037183 | 1 | | | | | •Snap Ring..... | •Circlip..... | •Nutting..... | •Circlip..... | •Spårring..... | |
| 31 | VOE 4871428 | 1 | | | | | •Piston ring..... | •Segment de piston..... | •Kolbenring..... | •Segmento de piston..... | •Kolvring..... | |
| 32 | VOE 11144634 | 1 | | | | | •Piston..... | •Piston..... | •Kolben..... | •Piston..... | •Kolv..... | |
| 33 | VOE 4871532 | 1 | | | | | •Spring..... | •Ressort..... | •Feder..... | •Muelle..... | •Fjäder..... | |
| 34 | VOE 11144459 | 1 | | | | | •Clutch Hub..... | •Moyeu Embrayage..... | •Kupplungsnahe..... | •Cubo Embrague..... | •Kopplingsnav..... | |
| 35 | VOE 11145196 | 1 | | | | | •Disc Kit..... | •Jeu Disques..... | •Lamellensatz..... | •Juego Frenos..... | •Lamellsats..... | |
| 36 | VOE 11145193 | 1 | | | | | •Pressure Plate..... | •Platea.pression..... | •Druckplatte..... | •Placa Presion..... | •Tryckplatta..... | THICK = 13.0 MM |
| 37 | VOE 11145194 | 1 | | | | | •Pressure Plate..... | •Platea.pression..... | •Druckplatte..... | •Placa Presion..... | •Tryckplatta..... | THICK = 13.75 MM |
| 38 | VOE 11145195 | 1 | | | | | •Pressure Plate..... | •Platea.pression..... | •Druckplatte..... | •Placa Presion..... | •Tryckplatta..... | THICK = 14.55 MM |
| 39 | VOE 11037827 | 1 | | | | | •Lock Ring..... | •Anneau Verrouillage..... | •Schlossring..... | •Anillo Segurid..... | •Låsring..... | |
| 40 | VOE 4871337 | 1 | | | | | •Retainer..... | •Retenue..... | •Halter..... | •Soporte..... | •Hållare..... | |
| 41 | | 1 | | | NS | | •Sealing Plug..... | •Tampon Etanche..... | •Dichtstopfen..... | •Tapon Obturac..... | •Tätningsplugg..... | |

| | | | |
|---|--|-----------------------|------------|
| 1 | Hydraulkoppling, back / 2-an Embrague hidráulic, atrás / 2a velocidad Hydraulikkupplung, rückwärts / 2. Gang Accouplement hydraulique, arrière / 2ème Hydraulic clutch, reverse / 2nd speed | Catalogue id | Group |
| 2 | | 20007 | 421 |
| 3 | | Illustr. No | Section |
| 4 | | EM226 | 300 |
| 5 | | Issue | Page |
| | 22523, 22548 | VOE 63D9920007 | 425 |

VOLVO

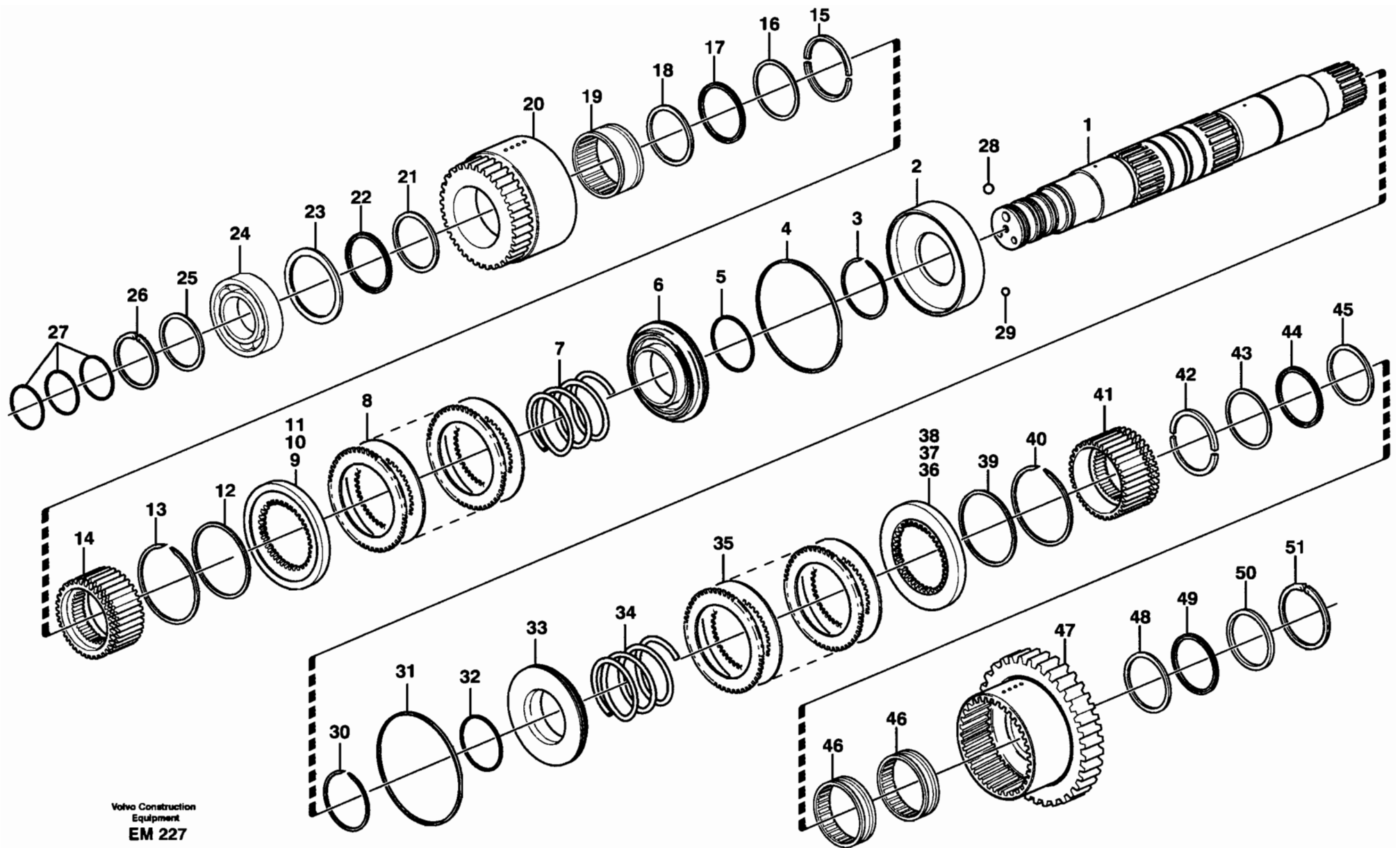
L90E



Volvo Construction
Equipment
EM 227

| Fig. | Part No. | Quantity | | | P S | K I T | Description | Dénomination | Bezeichnung | Denominación | Benämning | Notes |
|------|--------------|----------|---|---|--------|-------------|-----------------------|----------------------------|-----------------------|---------------------------|-----------------------|-------------------|
| | | 1 | 2 | 3 | | | | | | | | |
| | VOE 11144602 | 1 | | | | | Hydr Clutch | Accoupl Hydraul | Hydr Kuppl | Acopl Hidraul | Hydraulkoppling | |
| 1 | VOE 11144450 | 1 | | | | | •Clutch Shaft | •Arbre Embrayage | •Kupplungswelle | •Eje Acoplam | •Kopplingsaxel | |
| 2 | VOE 11144002 | 1 | | | | | •Partition Wall | •Paro.separation | •Trennwand | •Pared Separac | •Skiljevägg | |
| 3 | VOE 4786535 | 1 | | | | | •Lock Ring | •Anneau Verrouillage | •Schlossring | •Anillo Segurid | •Låsring | |
| 4 | VOE 4720869 | 1 | | | | | •Piston ring | •Segment de piston | •Kolbenring | •Segmento de piston | •Kolvring | |
| 5 | VOE 4871048 | 1 | | | | | •Piston ring | •Segment de piston | •Kolbenring | •Segmento de piston | •Kolvring | |
| 6 | VOE 11144403 | 1 | | | | | •Piston | •Piston | •Kolben | •Piston | •Kolv | |
| 7 | VOE 4871533 | 1 | | | | | •Spring | •Ressort | •Feder | •Muelle | •Fjäder | |
| 8 | VOE 11144487 | 1 | | | | | •Disc Kit | •Jeu Disques | •Lamellensatz | •Juego Frenos | •Lamellsats | |
| 9 | VOE 11144447 | REQ | | | | | •Pressure Plate | •Platea.pression | •Druckplatte | •Placa Presion | •Tryckplatta | THICK = 9,366 MM |
| 10 | VOE 11144448 | REQ | | | | | •Pressure Plate | •Platea.pression | •Druckplatte | •Placa Presion | •Tryckplatta | THICK = 9,966 MM |
| 11 | VOE 11144449 | REQ | | | | | •Pressure Plate | •Platea.pression | •Druckplatte | •Placa Presion | •Tryckplatta | THICK = 10,516 MM |
| 12 | VOE 4786536 | 1 | | | | | •Lock Ring | •Anneau Verrouillage | •Schlossring | •Anillo Segurid | •Låsring | |
| 13 | VOE 11037147 | 1 | | | | | •Lock Ring | •Anneau Verrouillage | •Schlossring | •Anillo Segurid | •Låsring | |
| 14 | VOE 11145103 | 1 | | | | | •Clutch Hub | •Moyeu Embrayage | •Kupplungsnabe | •Cubo Embrague | •Kopplingsnav | |
| 15 | VOE 4871337 | 1 | | | | | •Retainer | •Retenue | •Halter | •Soporte | •Hållare | |
| 16 | VOE 4880972 | 1 | | | | | •Thrust Washer | •Rondelle Butee | •Druckscheibe | •Arandela Presio | •Tryckbricka | |
| 17 | VOE 4785772 | 1 | | | | | •Needle Bearing | •Roule.aiguilles | •Nadellager | •Cojinete Agujas | •Nållager | |
| 18 | VOE 4871338 | 1 | | | | | •Thrust Washer | •Rondelle Butee | •Druckscheibe | •Arandela Presio | •Tryckbricka | |
| 19 | VOE 11144006 | 1 | | | | | •Needle Bearing | •Roule.aiguilles | •Nadellager | •Cojinete Agujas | •Nållager | |
| 20 | VOE 11144463 | 1 | | | | | •Gear | •Pignon | •Zahnrad | •Engranaje | •Kugghjul | |
| 21 | VOE 4871338 | 1 | | | | | •Thrust Washer | •Rondelle Butee | •Druckscheibe | •Arandela Presio | •Tryckbricka | |
| 22 | VOE 4785772 | 1 | | | | | •Needle Bearing | •Roule.aiguilles | •Nadellager | •Cojinete Agujas | •Nållager | |
| 23 | VOE 4718008 | 1 | | | | | •Washer | •Rondelle | •Scheibe | •Arandela | •Bricka | |
| 24 | VOE 183592 | 1 | | | | | •Ball Bearing | •Roulemen.billes | •Kugellager | •Cojinete Bolas | •Kullager | |
| 25 | VOE 13949851 | 1 | | | | | •Washer | •Rondelle | •Scheibe | •Arandela | •Bricka | |
| 26 | VOE 11037179 | 1 | | | | | •Snap Ring | •Circlip | •Nutring | •Circlip | •Spårring | |
| 27 | VOE 11037814 | 3 | | | | | •Piston ring | •Segment de piston | •Kolbenring | •Segmento de piston | •Kolvring | |
| 28 | VOE 11037637 | 1 | | | | | •Ball | •Bille | •Kugel | •Bola | •Kula | OD = 10,5 MM |
| 29 | VOE 184645 | 1 | | | | | •Ball | •Bille | •Kugel | •Bola | •Kula | OD = 8,5 MM |

| | | | | |
|---|--|---|----------------|---------|
| 1 | | Hydraulkoppling, 3-an / 4-an | Catalogue id | Group |
| 2 | | Embrague hidrúalic, 3a / 4a velocidades | 20007 | 421 |
| 3 | | Hydraulikkupplung, 3. / 4. Gang | Illustr. No | Section |
| 4 | | Accouplement hydraulique, 3ème / 4ème | EM227 | 350 |
| 5 | | Hydraulic clutch, 3rd / 4th speed | Issue | Page |
| | | 22523, 22548 | VOE 63D9920007 | 427 |



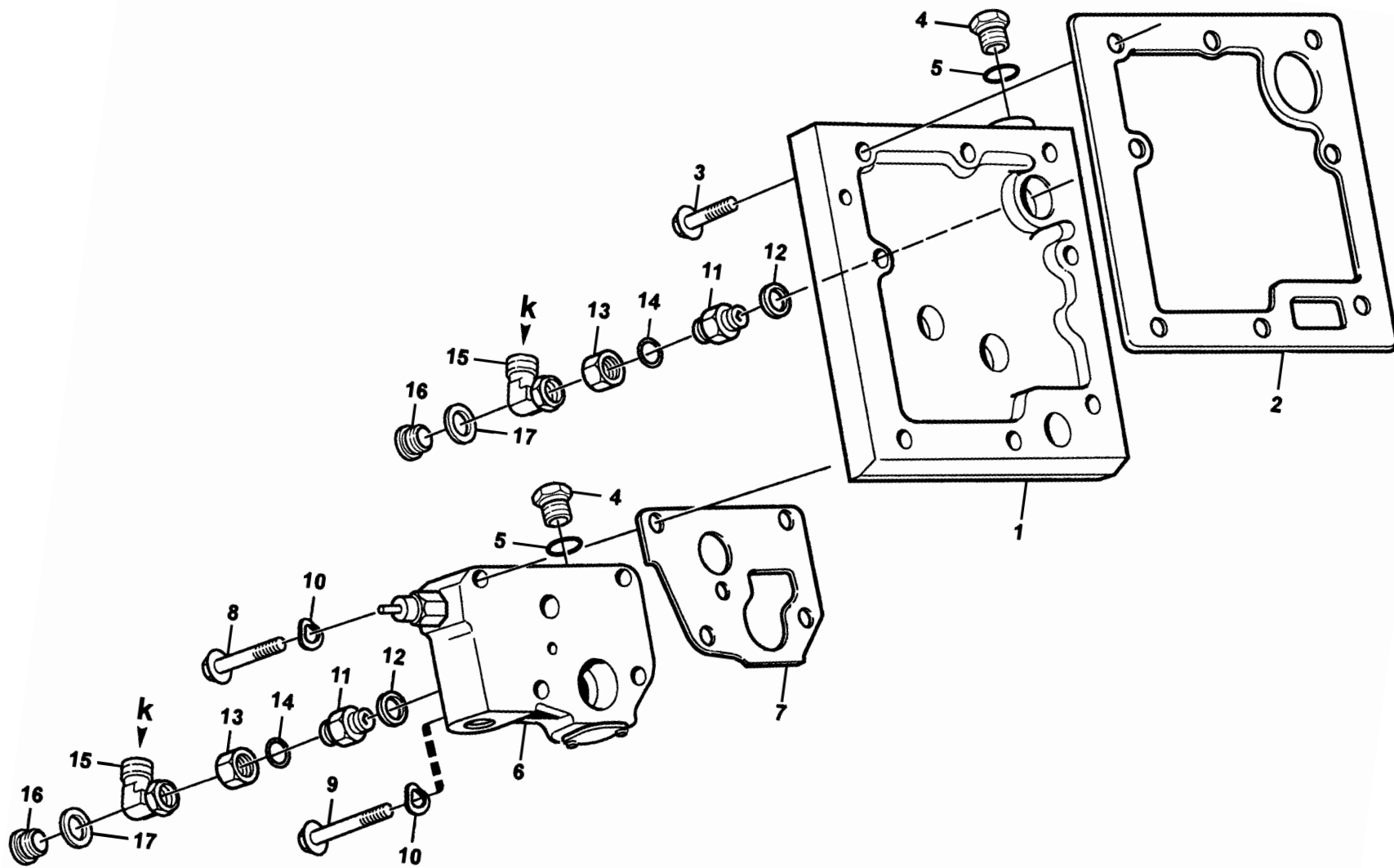
Volvo Construction
Equipment
EM 227

| Fig. | Part No. | Quantity | | | P S | K I T | Description | Dénomination | Bezeichnung | Denominación | Benämning | Notes |
|------|--------------|----------|---|---|--------|-----------------------|------------------------|---------------------|------------------------|--------------------|-------------------|-------|
| | | 1 | 2 | 3 | | | | | | | | |
| 30 | VOE 4786535 | 1 | | | | •Lock Ring..... | •Anneau Verrouillage . | •Schlossring | •Anillo Segurid..... | •Låsring..... | | |
| 31 | VOE 4720869 | 1 | | | | •Piston ring..... | •Segment de piston.... | •Kolbenring..... | •Segmento de piston.. | •Kolvring..... | | |
| 32 | VOE 4871048 | 1 | | | | •Piston ring..... | •Segment de piston.... | •Kolbenring..... | •Segmento de piston.. | •Kolvring..... | | |
| 33 | VOE 11144403 | 1 | | | | •Piston..... | •Piston..... | •Kolben..... | •Piston | •Kolv..... | | |
| 34 | VOE 4871532 | 1 | | | | •Spring | •Ressort | •Feder..... | •Muelle | •Fjäder..... | | |
| 35 | VOE 11144606 | 1 | | | | •Disc Kit | •Jeu Disques | •Lamellensatz..... | •Juego Frenos | •Lamellsats..... | | |
| 36 | VOE 11144613 | REQ | | | | •Pressure Plate | •Platea.pression | •Druckplatte..... | •Placa Presion..... | •Tryckplatta..... | THICK = 9,366 MM | |
| 37 | VOE 11144614 | REQ | | | | •Pressure Plate | •Platea.pression | •Druckplatte..... | •Placa Presion..... | •Tryckplatta..... | THICK = 9,966 MM | |
| 38 | VOE 11144615 | REQ | | | | •Pressure Plate | •Platea.pression | •Druckplatte..... | •Placa Presion..... | •Tryckplatta..... | THICK = 10,516 MM | |
| 39 | VOE 4786536 | 1 | | | | •Lock Ring..... | •Anneau Verrouillage . | •Schlossring | •Anillo Segurid..... | •Låsring..... | | |
| 40 | VOE 11037147 | 1 | | | | •Lock Ring..... | •Anneau Verrouillage . | •Schlossring | •Anillo Segurid..... | •Låsring..... | | |
| 41 | VOE 11144459 | 1 | | | | •Clutch Hub..... | •Moyeu Embrayage.... | •Kupplungsnahe..... | •Cubo Embrague..... | •Kopplingsnav..... | | |
| 42 | VOE 4871337 | 1 | | | | •Retainer | •Retenue | •Halter | •Soporte | •Hållare..... | | |
| 43 | VOE 4880972 | 1 | | | | •Thrust Washer | •Rondelle Butee | •Druckscheibe | •Arandela Presio | •Tryckbricka..... | | |
| 44 | VOE 4785772 | 1 | | | | •Needle Bearing | •Roule.aiguilles | •Nadellager..... | •Cojinete Agujas..... | •Nållager..... | | |
| 45 | VOE 4871338 | 1 | | | | •Thrust Washer | •Rondelle Butee | •Druckscheibe | •Arandela Presio | •Tryckbricka..... | | |
| 46 | VOE 11145380 | 1 | | | | •Needle Holder..... | •Porte-aiguille..... | •Nadelkäfig..... | •Portaagujas..... | •Nålhållare..... | | |
| 47 | VOE 11144464 | 1 | | | | •Gear..... | •Pignon..... | •Zahnrad..... | •Engranaje..... | •Kuggjul..... | | |
| 48 | VOE 4871338 | 1 | | | | •Thrust Washer | •Rondelle Butee | •Druckscheibe | •Arandela Presio | •Tryckbricka..... | | |
| 49 | VOE 4785772 | 1 | | | | •Needle Bearing | •Roule.aiguilles | •Nadellager..... | •Cojinete Agujas..... | •Nållager..... | | |
| 50 | VOE 4718930 | 1 | | | | •Thrust Washer | •Rondelle Butee | •Druckscheibe | •Arandela Presio | •Tryckbricka..... | | |
| 51 | VOE 11037181 | 1 | | | | •Snap Ring..... | •Circlip..... | •Nutring | •Circlip | •Spårring..... | | |

| | | | | |
|---|--|--|-----------------------|------------|
| 1 | | Hydraulkoppling, 3-an / 4-an Embrague hidráulic, 3a / 4a velocidades Hydraulikkupplung, 3. / 4. Gang Accouplement hydraulique, 3ème / 4ème Hydraulic clutch, 3rd / 4th speed 22523, 22548 | Catalogue id | Group |
| 2 | | | 20007 | 421 |
| 3 | | | Illustr. No | Section |
| 4 | | | EM227 | 350 |
| 5 | | | Issue | Page |
| | | | VOE 63D9920007 | 429 |

VOLVO

L90E



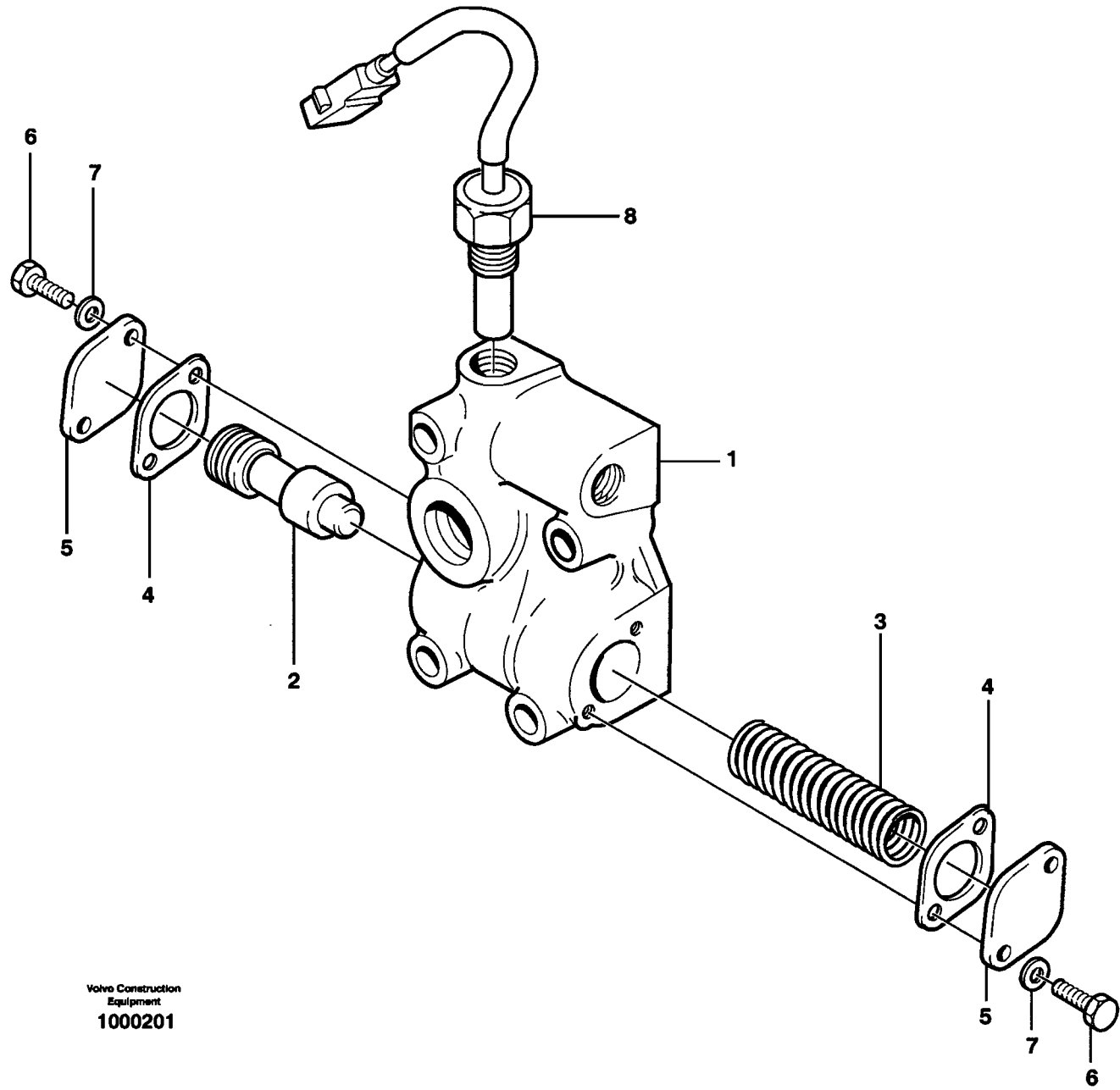
Volvo Construction
 Equipment
 1016411

| Fig. | Part No. | Quantity | | | P S | K I T | Description | Dénomination | Bezeichnung | Denominación | Benämning | Notes |
|------|--------------|----------|---|---|--------|---------------------|--------------------------|-----------------------|------------------------|----------------------|-------------------------|-------|
| | | 1 | 2 | 3 | | | | | | | | |
| 1 | VOE 11144069 | 1 | 1 | | | Conn Plate | Plaque Connexi..... | Anschlussplatte | Placa Conexion | Anslutn.platta..... | | |
| 2 | VOE 11144070 | 1 | 1 | | | Gasket..... | Joint | Dichtung | Junta | Packning..... | | |
| 3 | VOE 13955298 | 6 | 6 | | | Screw..... | Vis | Schraube | Tornillo | Skruv..... | | |
| 4 | VOE 926370 | 2 | 1 | | | Plug..... | Bouchon..... | Stopfen..... | Tapon | Plugg..... | | |
| 5 | VOE 13949574 | 2 | 1 | | | O-ring..... | Joint Torique | O-Ring..... | Junta torica..... | O-ring..... | | |
| 6 | | 1 | 1 | | | Lub oil valve..... | Soup.huil.grai | Schmierventil..... | Valv lubricac..... | Smörjoljeventil..... | See group 421, Page 433 | |
| 7 | VOE 11037012 | 1 | 1 | | | Gasket..... | Joint | Dichtung | Junta | Packning..... | | |
| 8 | VOE 13965181 | 2 | 2 | | | Flange screw..... | Vis à bride | Flanschschaube..... | Torn embridado..... | Flänsskruv..... | L = 70 MM | |
| 9 | VOE 13965184 | 2 | 2 | | | Flange screw..... | Vis a bride | Flanschschaube..... | Torn embridado..... | Flänsskruv..... | L = 100 MM | |
| 10 | VOE 13941907 | 4 | 4 | | | Spring Washer | Rondelle élastique | Federscheibe | Arandela flexible..... | Fjäderbricka..... | | |
| 11 | VOE 11108746 | 2 | | | | Nipple..... | Raccord..... | Nippel..... | Niple | Nippel..... | | |
| | VOE 11034156 | | 2 | | | Plug..... | Bouchon..... | Stopfen..... | Tapon | Plugg..... | | |
| 12 | VOE 4881255 | 2 | 2 | | | Plane Gasket | Joint Plan | Flachdichtung..... | Junta Plana | Planpackning..... | | |
| 13 | VOE 11145708 | 2 | | | | Ptct Cover | Couver.protect. | Schutzdeckel..... | Tapa Proteccion | Skyddslock..... | HT - 10783 | |
| 14 | VOE 11130091 | 2 | | | | O-ring..... | Joint Torique | O-Ring..... | Junta torica..... | O-ring..... | HT - 10783 | |
| 15 | | 2 | | | | Nipple..... | Raccord..... | Nippel..... | Niple | Nippel..... | See group 491, Page 489 | |
| 16 | VOE 11034156 | | 2 | | | Plug..... | Bouchon..... | Stopfen..... | Tapon | Plugg..... | | |
| 17 | VOE 4881255 | | 2 | | | Plane Gasket | Joint Plan | Flachdichtung..... | Junta Plana | Planpackning..... | | |

| | | | | |
|---|-------|---|----------------|------------|
| 1 | 22523 | Smörjoljeventil med monteringsdetaljer Válvula de lubricación con accesorios de montaje Schmierölventil mit Anbauteilen Soupape d'huile de graissage avec pièces de montage Lubricating oil valve with fitting parts | Catalogue id | Group |
| 2 | 22548 | | 20007 | 421 |
| 3 | | | Illustr. No | Section |
| 4 | | | 1016411 | 400 |
| 5 | | | Issue | Page |
| | | VOE 63D9920007 | 431 | |

VOLVO

L90E



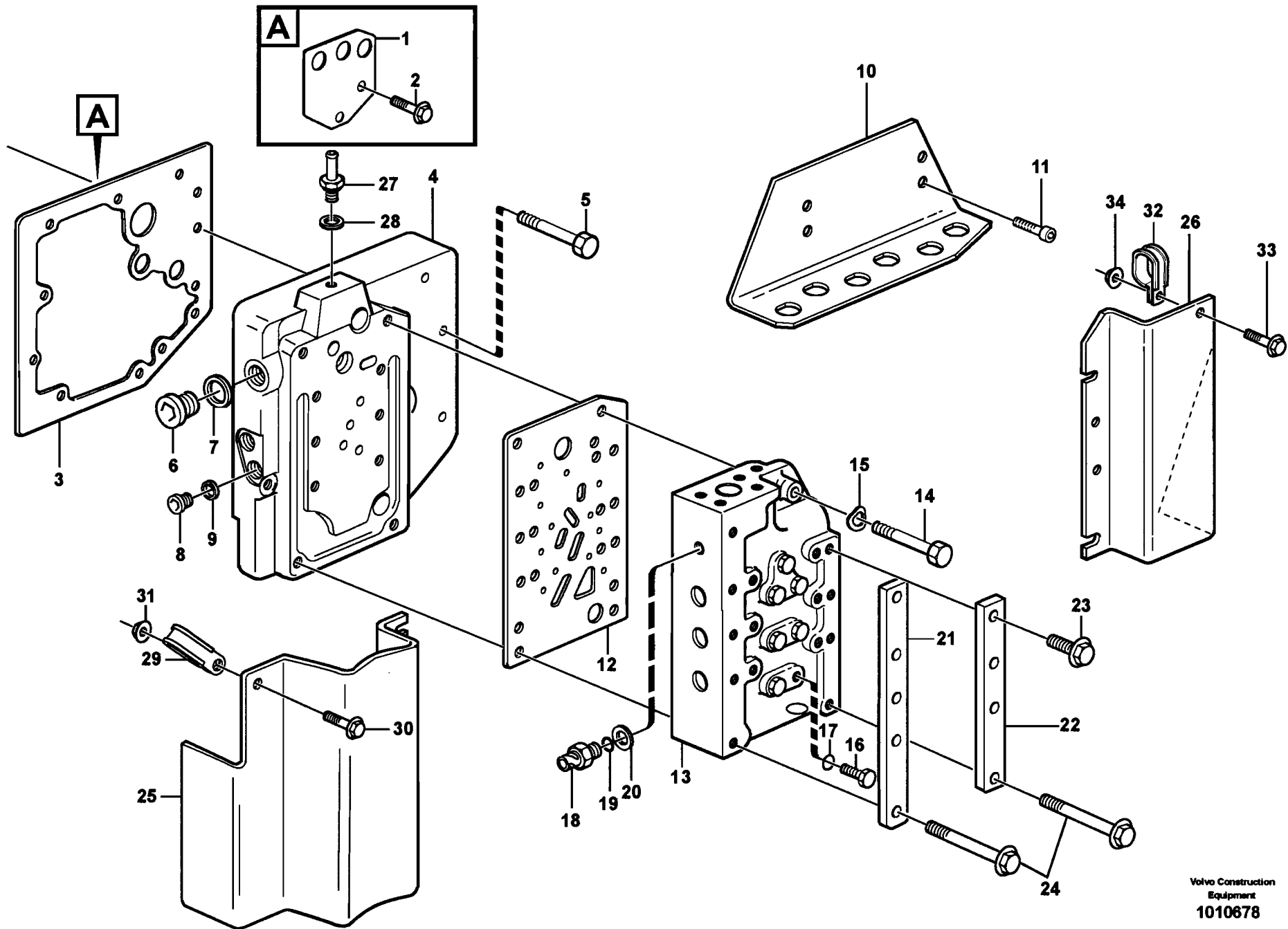
Volvo Construction
Equipment
1000201

| Fig. | Part No. | Quantity | | | P S | K I T | Description | Dénomination | Bezeichnung | Denominación | Benämning | Notes |
|------|---------------------|----------|---|---|--------|--------------------------|--------------------------|----------------------|-------------------------|----------------------|-----------|-------|
| | | 1 | 2 | 3 | | | | | | | | |
| | VOE 11037252 | 1 | | | | Lub Oil Valve..... | Soup.huil.grai..... | Schmierventil..... | Valv Lubricac..... | Smörjoljeventil..... | | |
| 1 | | 1 | | | NS | •Valve housing..... | •Carter soupape..... | •Ventilgehäuse..... | •Cuerpo valvula..... | •Ventilhus..... | | |
| 2 | VOE 4720787 | 1 | | | | •Slide..... | •Tiroir..... | •Schieber..... | •Corredera..... | •Slid..... | | |
| 3 | VOE 11037251 | 1 | | | | •Compression Spring..... | •Ressort compressio..... | •Druckfeder..... | •Muelle compresion..... | •Tryckfjäder..... | | |
| 4 | VOE 11036049 | 2 | | | | •Gasket..... | •Joint..... | •Dichtung..... | •Junta..... | •Packning..... | | |
| 5 | VOE 4718062 | 2 | | | | •Cover..... | •Couvercle..... | •Deckel..... | •Tapa..... | •Lock..... | | |
| 6 | VOE 13947542 | 4 | | | | •Screw..... | •Vis..... | •Schraube..... | •Tornillo..... | •Skruv..... | | |
| 7 | VOE 984306 | 4 | | | | •Spacer..... | •Entretoise..... | •Abstandkörper..... | •Distanciador..... | •Distans..... | | |
| 8 | VOE 11039193 | 1 | | | | Temp Sensor..... | Detecteur Temp..... | Temperaturgeber..... | Sensor Temperat..... | Temp Givare..... | SE406 | |

| | | | |
|---|---|-----------------------|------------|
| 1 | Smörjoljeventil Válvula de lubricación Schmierölventil Soupape d'huile de graissage Lubricating oil valve 22523, 22548 | Catalogue id | Group |
| 2 | | 20007 | 421 |
| 3 | | Illustr. No | Section |
| 4 | | 1000201 | 450 |
| 5 | | Issue | Page |
| | | VOE 63D9920007 | 433 |

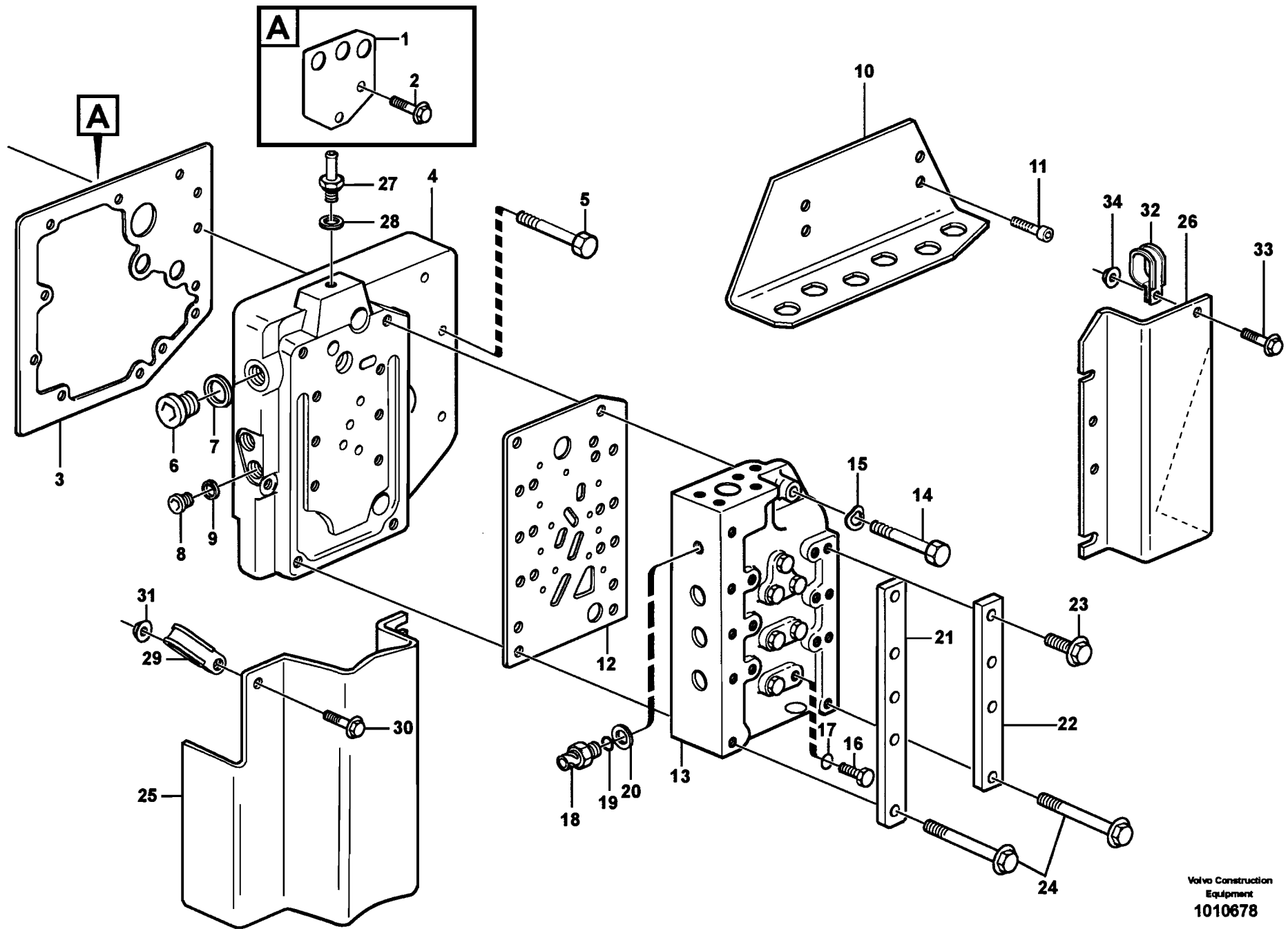
VOLVO

L90E



| Fig. | Part No. | Quantity | | | P S | K I T | Description | Dénomination | Bezeichnung | Denominación | Benämning | Notes |
|------|--------------|----------|---|---|--------|----------------------|--------------------------|----------------------|------------------------|---------------------|-------------------------|-------|
| | | 1 | 2 | 3 | | | | | | | | |
| 1 | VOE 11037689 | 1 | 1 | | | Plate..... | Tôle..... | Blech..... | Chapa..... | Plåt..... | | |
| 2 | VOE 946440 | 2 | 2 | | | Flange screw..... | Vis à bride..... | Flanschschaube..... | Torn embridado..... | Flänskruv..... | | |
| 3 | VOE 11144620 | 1 | 1 | | | Gasket..... | Joint..... | Dichtung..... | Junta..... | Packning..... | | |
| 4 | VOE 11418085 | 1 | 1 | | | Conn Plate..... | Plaque Connexi..... | Anschlussplatte..... | Placa Conexion..... | Anslutn.platta..... | (VOE 11144630) | |
| 5 | VOE 13965179 | 9 | 9 | | | Flange screw..... | Vis à bride..... | Flanschschaube..... | Torn embridado..... | Flänskruv..... | | |
| 6 | VOE 944508 | 1 | 1 | | | Plug..... | Bouchon..... | Stopfen..... | Tapon..... | Plugg..... | | |
| 7 | VOE 4881255 | 1 | 1 | | | Plane Gasket..... | Joint Plan..... | Flachdichtung..... | Junta Plana..... | Planpackning..... | | |
| 8 | VOE 13963925 | 3 | 3 | | | Plug..... | Bouchon..... | Stopfen..... | Tapon..... | Plugg..... | | |
| 9 | VOE 13947281 | 3 | 3 | | | Gasket..... | Joint..... | Dichtung..... | Junta..... | Packning..... | | |
| 10 | VOE 11145172 | 1 | 1 | | | Atch Bracket..... | Porte-outil..... | Geräteträger..... | Soporte Impleme..... | Redskapsfäste..... | | |
| 11 | VOE 959223 | 4 | 4 | | | Allen Hd Screw..... | Vis A 6 Pans Cr..... | Inbusschraube..... | Torn Hex Embut..... | Insexskruv..... | | |
| 12 | VOE 11145170 | 1 | 1 | | | Gasket..... | Joint..... | Dichtung..... | Junta..... | Packning..... | | |
| 13 | | 1 | 1 | | | Gear sel valve..... | Valv.selectrice..... | Umsteuerventil..... | Valv sel veloc..... | Växelvälj.vent..... | See group 421, Page 439 | |
| 14 | VOE 955304 | 7 | 7 | | | Hexagon screw..... | Vis tête hexagonale .. | Sechskantschraube... | Tornillo hexago..... | Sexkantsskruv..... | | |
| 15 | VOE 13941907 | 8 | 8 | | | Spring Washer..... | Rondelle élastique .. | Federscheibe..... | Arandela flexible..... | Fjäderbricka..... | | |
| 16 | VOE 926370 | 7 | 7 | | | Plug..... | Bouchon..... | Stopfen..... | Tapon..... | Plugg..... | | |
| 17 | VOE 13949574 | 7 | 7 | | | O-ring..... | Joint Torique..... | O-Ring..... | Junta torica..... | O-ring..... | | |
| 18 | VOE 11039574 | 1 | 1 | | | Pressure Sensor..... | Detect.pression..... | Druckmelder..... | Sensor Presion..... | Tryckgivare..... | SE405 | |
| 19 | VOE 931209 | 1 | 1 | | | O-ring..... | Joint Torique..... | O-Ring..... | Junta torica..... | O-ring..... | | |
| 20 | VOE 931216 | 1 | 1 | | | Back-up ring..... | Rondelle anti-extrusi .. | Stützring..... | Anillo Apoyo..... | Stödring..... | | |
| 21 | VOE 11037677 | 1 | 1 | | | Plate..... | Plaque..... | Platte..... | Placa..... | Platta..... | | |
| 22 | VOE 11037678 | 1 | 1 | | | Plate..... | Plaque..... | Platte..... | Placa..... | Platta..... | | |
| 23 | VOE 13945444 | 6 | 6 | | | Flange screw..... | Vis à bride..... | Flanschschaube..... | Torn embridado..... | Flänskruv..... | | |
| 24 | VOE 13965182 | 3 | 3 | | | Flange screw..... | Vis à bride..... | Flanschschaube..... | Torn embridado..... | Flänskruv..... | | |
| 25 | VOE 11145345 | 1 | 1 | | | Ptct Plate..... | Plaque Protect..... | Schutzplatte..... | Placa Protecc..... | Skyddsplatta..... | (VOE 11144921) | |
| 26 | VOE 11144965 | 1 | 1 | | | Ptct Plate..... | Plaque Protect..... | Schutzplatte..... | Placa Protecc..... | Skyddsplatta..... | | |
| 27 | VOE 947502 | 1 | 1 | | | Hose Coupling..... | Raccor.flexible..... | Schlauchkupplg..... | Acoplam Manguer..... | Slangkoppling..... | | |
| 28 | VOE 13947282 | 1 | 1 | | | Gasket..... | Joint..... | Dichtung..... | Junta..... | Packning..... | | |
| 29 | VOE 11145346 | 1 | 1 | | | Clamp..... | Pince Serrage..... | Klemme..... | Abrazadera..... | Klämma..... | | |
| 30 | VOE 946440 | 1 | 1 | | | Flange screw..... | Vis à bride..... | Flanschschaube..... | Torn embridado..... | Flänskruv..... | | |

| | | | | |
|---|-------|--|----------------|------------|
| 1 | 22523 | Växelväljarventil med monteringsdetaljer Válvula selectora de gama con accesorios de montaje Getriebewählerventil mit Anbauteilen Valve sélectrice vitesse avec pièces de montage Range selector valve with fitting parts | Catalogue id | Group |
| 2 | 22548 | | 20007 | 421 |
| 3 | | | Illustr. No | Section |
| 4 | | | 1010678 | 500 |
| 5 | | | Issue | Page |
| | | VOE 63D9920007 | 435 | |

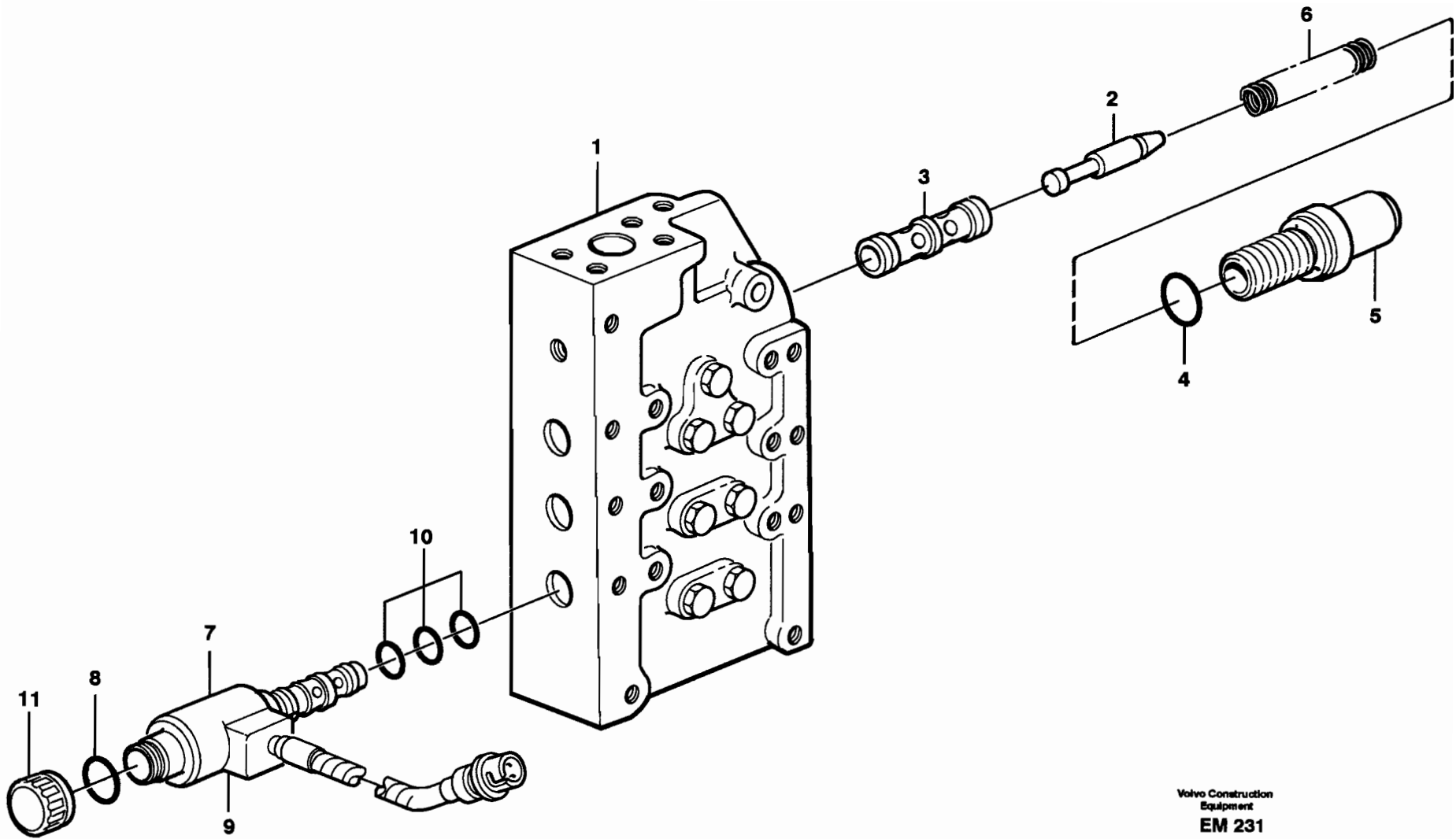


| Fig. | Part No. | Quantity | | | P S | K I T | Description | Dénomination | Bezeichnung | Denominación | Benämning | Notes |
|------|--------------|----------|---|---|--------|-------------------|---------------------|----------------------|---------------------|-----------------|-----------|-------|
| | | 1 | 2 | 3 | | | | | | | | |
| 31 | VOE 13945408 | 1 | 1 | | | Nut | Ecrou..... | Mutter..... | Tuerca..... | Mutter..... | | |
| 32 | VOE 13949997 | 1 | | | | Clamp..... | Pince Serrage | Klemme | Abrazadera..... | Klämna..... | | |
| 33 | VOE 946440 | 1 | 1 | | | Flange screw..... | Vis à bride | Flanschschraube..... | Torn embridado..... | Flänsskruv..... | | |
| 34 | VOE 13945408 | 1 | 1 | | | Nut | Ecrou..... | Mutter..... | Tuerca..... | Mutter..... | | |

| | | | | |
|---|-------|--|----------------|------------|
| 1 | 22523 | Växelväljarventil med monteringsdetaljer Válvula selectora de gama con accesorios de montaje Getriebewählerventil mit Anbauteilen Valve sélectrice vitesse avec pièces de montage Range selector valve with fitting parts | Catalogue id | Group |
| 2 | 22548 | | 20007 | 421 |
| 3 | | | Illustr. No | Section |
| 4 | | | 1010678 | 500 |
| 5 | | | Issue | Page |
| | | | VOE 63D9920007 | 437 |

VOLVO

L90E



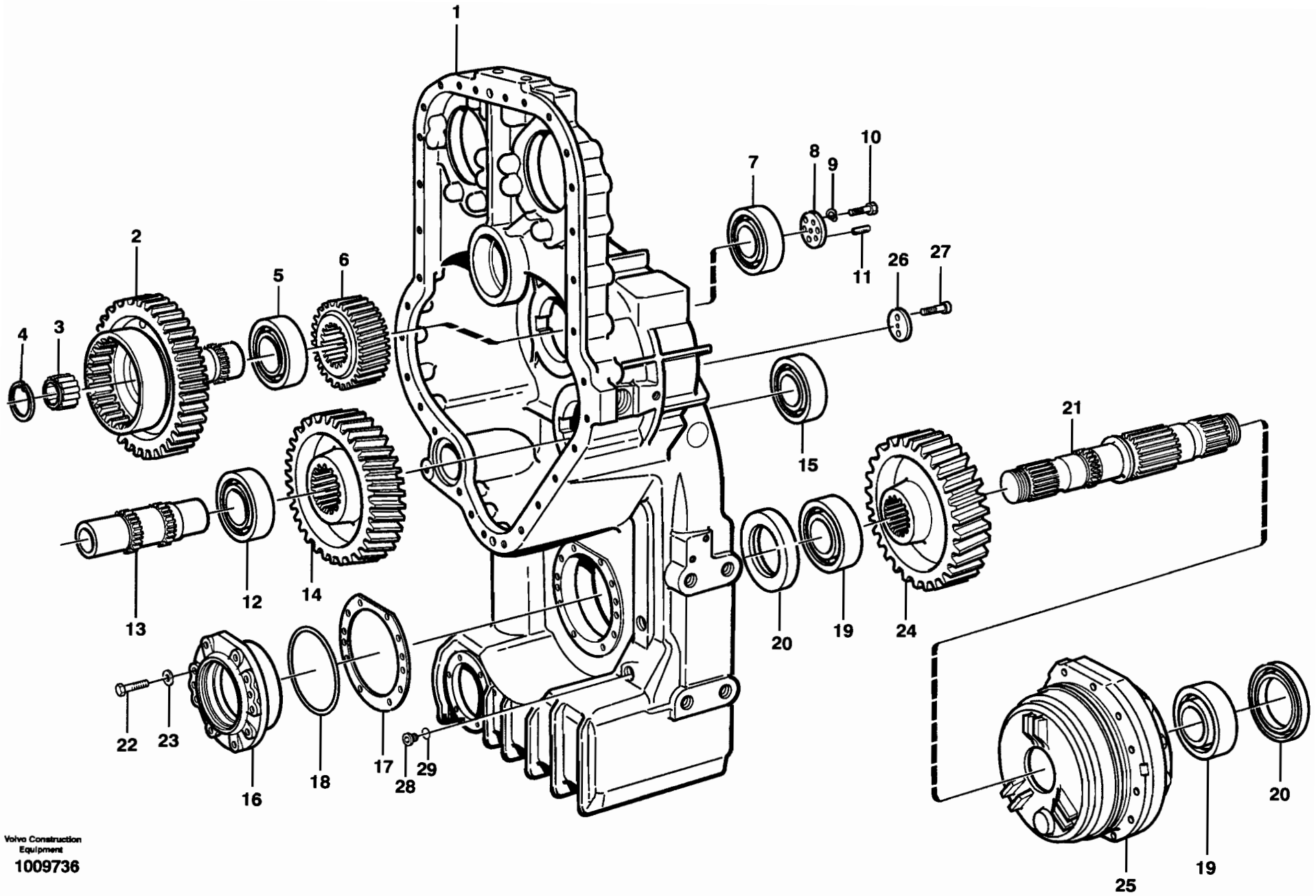
Volvo Construction
Equipment
EM 231

| Fig. | Part No. | Quantity | | | P S | K I T | Description | Dénomination | Bezeichnung | Denominación | Benämning | Notes |
|------|--------------|----------|---|---|--------|-------------|-----------------------|-------------------------|-----------------------|------------------------|---------------------|------------------------|
| | | 1 | 2 | 3 | | | | | | | | |
| 1 | VOE 11144058 | 1 | | | | | Gear sel valve | Valv.selectrice | Umsteuerventil | Valv sel veloc | Växelvälj.vent..... | |
| | | 1 | | | NS | | •Valve housing | •Carter soupape | •Ventilgehäuse | •Cuerpo valvula | •Ventilhus..... | |
| 2 | VOE 11144020 | 1 | | | | | •Slide..... | •Tiroir..... | •Schieber..... | •Corredera..... | •Slid..... | |
| 3 | VOE 11037894 | 1 | | | | | •Sleeve..... | •Douille..... | •Hülse..... | •Manguito..... | •Hylsa..... | |
| 4 | VOE 964117 | 1 | | | | | •O-ring..... | •Joint Torique..... | •O-Ring..... | •Junta torica..... | •O-ring..... | |
| 5 | VOE 11037443 | 1 | | | | | •Spring Housing | •Boitier Ressort | •Federgehäuse..... | •Caja Resorte..... | •Fjäderhus..... | |
| 6 | VOE 11036947 | 1 | | | | | •Spring | •Ressort | •Feder..... | •Muelle | •Fjäder..... | |
| 7 | VOE 11144019 | 6 | | | | | •Solenoid valve | •Vanne electrom..... | •Magnetventil..... | •Electrovalvula..... | •Magnetventil..... | SA, SB, SC, SD, SE, SF |
| 8 | VOE 11704525 | 6 | | | | | ••O-ring | ••Joint Torique..... | ••O-Ring | ••Junta torica | ••O-ring..... | |
| 9 | VOE 11705493 | 6 | | | | | ••Coil | ••Bobine | ••Wickel..... | ••Bobina..... | ••Spole..... | |
| 10 | VOE 11707049 | 6 | | | | | ••Sealing Kit | ••Jeu Joints | ••Dichtungssatz | ••Juego Retenes..... | ••Tätningssats..... | |
| 11 | VOE 11708162 | 6 | | | | | ••Plastic Nut | ••Ecrou Plastique | ••Plastikmutter..... | ••Tuerca Plastica..... | ••Plastmutter..... | |

| | | | |
|---|--|----------------|------------|
| 1 | Växelväljarventil Válvula selectora de gama Getriebewählerventil Soupape sélectrice vitesse Range selector valve 22523, 22548 | Catalogue id | Group |
| 2 | | 20007 | 421 |
| 3 | | Illustr. No | Section |
| 4 | | EM231 | 550 |
| 5 | | Issue | Page |
| | | VOE 63D9920007 | 439 |

VOLVO

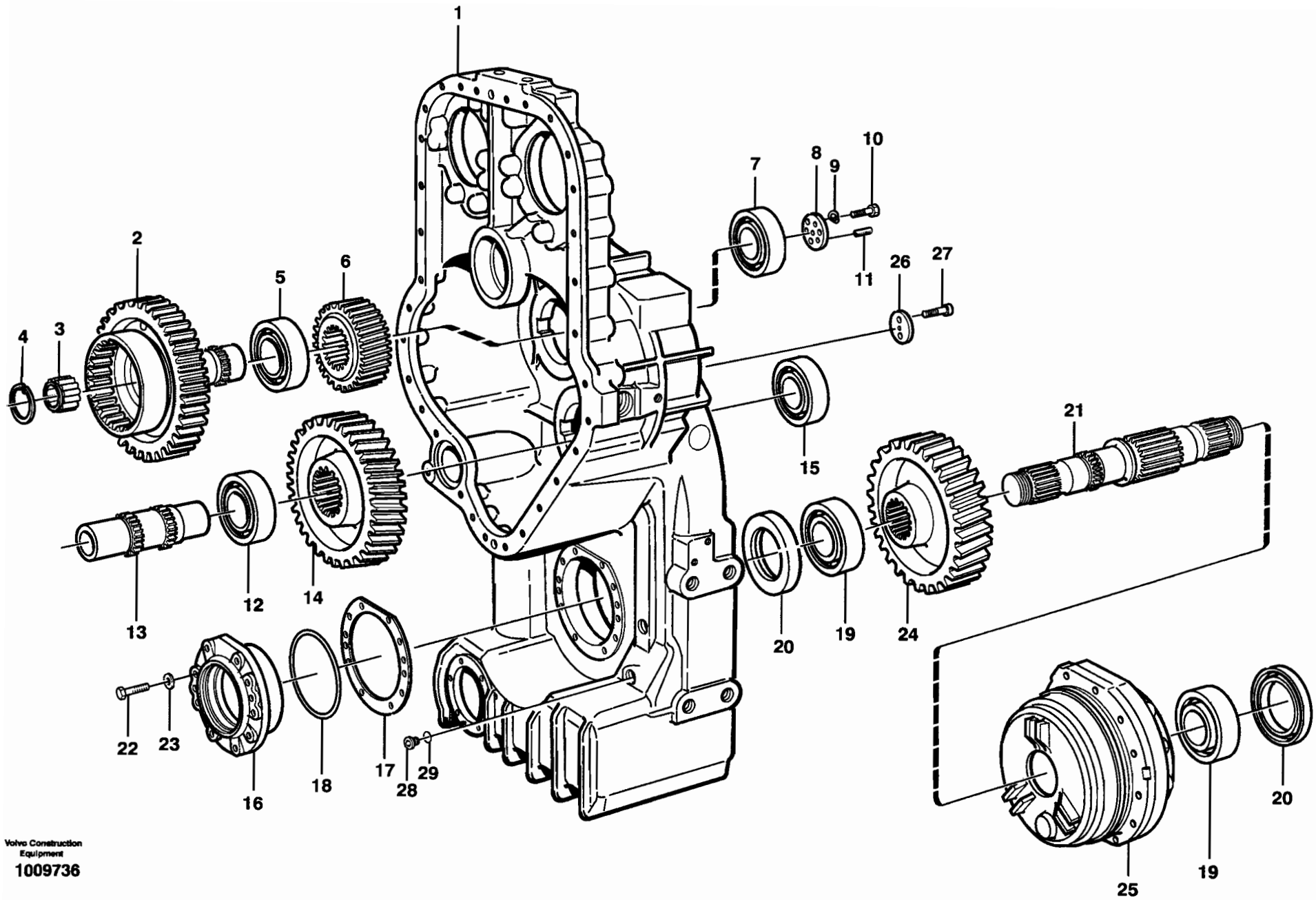
L90E



Volvo Construction
 Equipment
 1009736

| Fig. | Part No. | Quantity | | | P S | K I T | Description | Dénomination | Bezeichnung | Denominación | Benämning | Notes |
|------|--------------|----------|-----|---|--------|-----------------|-----------------------|-----------------|-------------------|-----------------|-------------------------|-------|
| | | 1 | 2 | 3 | | | | | | | | |
| 1 | | 1 | 1 | | | Housing | Carter | Gehäuse | Carter | Hus | See group 434, Page 447 | |
| 2 | VOE 11145272 | 1 | 1 | | | Gear | Pignon | Zahnradgetriebe | Engranaje | Kuggdrev | | |
| 3 | VOE 4787288 | 1 | 1 | | | Needle Bearing | Roule.aiguilles | Nadellager | Cojinete Agujas | Nållager | | |
| 4 | VOE 914528 | 1 | 1 | | | Snap Ring | Circlip | Nutring | Circlip | Spårring | | |
| 5 | VOE 184698 | 1 | 1 | | | Roller Bearing | Roulement rouleaux | Rollenlager | Cojinete Rodillo | Rullager | | |
| 6 | VOE 4720881 | 1 | 1 | | | Gear | Pignon | Zahnrad | Engranaje | Kuggghjul | | |
| 7 | VOE 184697 | 1 | 1 | | | Roller Bearing | Roulement rouleaux | Rollenlager | Cojinete Rodillo | Rullager | | |
| 8 | VOE 4720947 | 1 | 1 | | | Washer | Rondelle | Scheibe | Arandela | Bricka | | |
| 9 | VOE 13949608 | 3 | 3 | | | Washer | Rondelle | Scheibe | Arandela | Bricka | | |
| 10 | VOE 970976 | 3 | 3 | | | Hexagon screw | Vis a tête hexagonale | Sechskantschr | Tornillo hexago | Sexkantsskruv | | |
| 11 | VOE 13963077 | 3 | 3 | | | Set Screw | Vis Butee | Anschlagschraub | Tornillo Tope | Stoppskruv | | |
| 12 | VOE 184810 | 1 | 1 | | | Roller Bearing | Roulement rouleaux | Rollenlager | Cojinete Rodillo | Rullager | | |
| 13 | VOE 11037038 | 1 | 1 | | | Shaft | Arbre | Welle | Arbol | Axel | | |
| 14 | VOE 4720882 | 1 | 1 | | | Gear | Pignon | Zahnrad | Engranaje | Kuggghjul | | |
| 15 | VOE 183665 | 1 | 1 | | | Bearing | Palier | Lager | Cojinete | Lager | | |
| 16 | VOE 4720913 | 1 | 1 | | | Bearing Housing | Carter Palier | Lagergehäuse | Caja Cojinete | Lagerhus | | |
| 17 | VOE 4720915 | REQ | REQ | | | Shim | Cale Reglage | Nachstellblech | Cuna de calzar | Justerbleck | THICK = 0,10 MM | |
| | VOE 4720916 | REQ | REQ | | | Shim | Cale Reglage | Nachstellblech | Cuna de calzar | Justerbleck | THICK = 0,35 MM | |
| | VOE 4720917 | REQ | REQ | | | Shim | Cale Reglage | Nachstellblech | Cuna de calzar | Justerbleck | THICK = 1,0 MM | |
| 18 | VOE 925265 | 1 | 1 | | | O-ring | Joint Torique | O-Ring | Junta torica | O-ring | | |
| 19 | VOE 7011076 | 2 | 2 | | | Roller Bearing | Roulement rouleaux | Rollenlager | Cojinete Rodillo | Rullager | | |
| 20 | VOE 973936 | 2 | 2 | | | Sealing ring | Bague d'étanchéité | Runddichtring | Anillo reten | Tättningsring | | |
| 21 | VOE 11037022 | 1 | 1 | | | Shaft | Arbre | Welle | Arbol | Axel | | |
| 22 | VOE 13970948 | 6 | 6 | | | Hexagon screw | Vis a tête hexagonale | Sechskantschr | Tornillo hexago | Sexkantsskruv | | |
| 23 | VOE 941908 | 6 | 6 | | | Spring Washer | Rondelle élastique | Federscheibe | Arandela flexible | Fjäderbricka | | |
| 24 | VOE 4720883 | 1 | 1 | | | Gear | Pignon | Zahnrad | Engranaje | Kuggghjul | | |
| 25 | | 1 | 1 | | | Parking brake | Frein parking | Feststellbremse | Freio estacion | Parkeringsbroms | See group 434, Page 445 | |
| 26 | VOE 11037606 | 1 | 1 | | | Washer | Rondelle | Scheibe | Arandela | Bricka | | |
| 27 | VOE 959261 | 2 | 2 | | | Allen Hd Screw | Vis A 6 Pans Cr | Inbusschraube | Torn Hex Embut | Insexskruv | | |
| 28 | VOE 968611 | 1 | 1 | | | Plug | Bouchon | Stopfen | Tapon | Plugg | | |

| | | | | |
|---|-------|---|--------------|---------|
| 1 | 22523 | Fördelningsväxellåda, drev och axlar Caja de reenvío, engranajes y ejes Verteilergetriebe, Antrieb und Achsen Boîte de transfert, pignon et arbres Transfer case, gears and shafts | Catalogue id | Group |
| 2 | 22548 | | 20007 | 434 |
| 3 | | | Illustr. No | Section |
| 4 | | | 1009736 | 100 |
| 5 | | | Issue | Page |
| | | VOE 63D9920007 | 441 | |



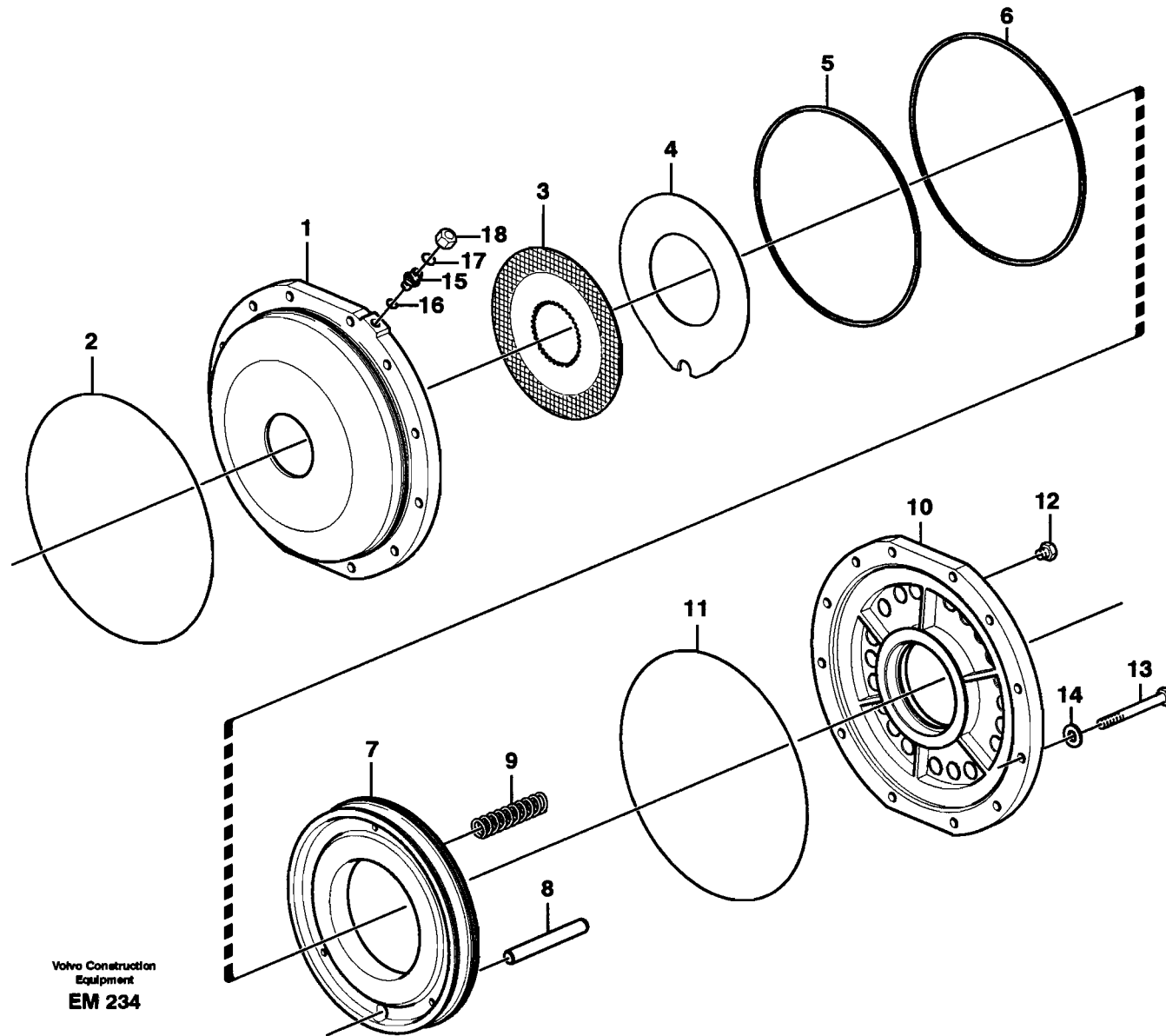
Volvo Construction
Equipment
1009736

| Fig. | Part No. | Quantity | | | P S | K I T | Description | Dénomination | Bezeichnung | Denominación | Benämning | Notes |
|------|------------|----------|---|---|--------|-------------|-------------|---------------------|-------------|-------------------|-------------|-------|
| | | 1 | 2 | 3 | | | | | | | | |
| 29 | VOE 967751 | | 1 | | | | O-ring..... | Joint Torique | O-Ring..... | Junta torica..... | O-ring..... | |

| | | | | |
|---|-------|--|----------------|---------|
| 1 | 22523 | Fördelningsväxellåda, drev och axlar Caja de reenvío, engranajes y ejes Verteilergetriebe, Antrieb und Achsen Boîte de transfert, pignon et arbres Transfer case, gears and shafts | Catalogue id | Group |
| 2 | 22548 | | 20007 | 434 |
| 3 | | | Illustr. No | Section |
| 4 | | | 1009736 | 100 |
| 5 | | | Issue | Page |
| | | | VOE 63D9920007 | 443 |

VOLVO

L90E



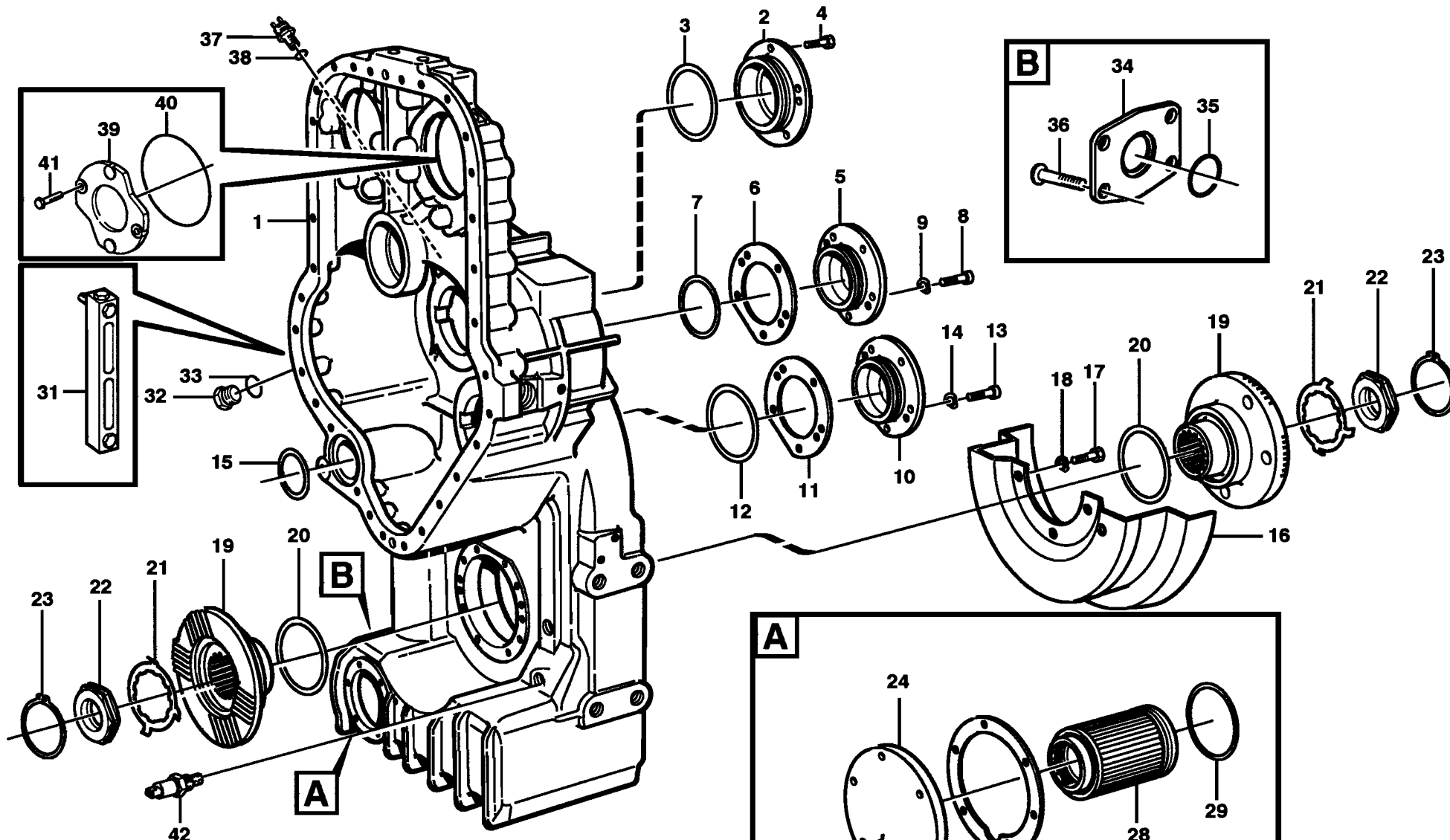
Volvo Construction
 Equipment
EM 234

| Fig. | Part No. | Quantity | | | P S | K I T | Description | Dénomination | Bezeichnung | Denominación | Benämning | Notes |
|------|--------------|----------|----|---|--------|---------------------|-----------------------------|----------------------|------------------------|----------------------|-----------|-------|
| | | 1 | 2 | 3 | | | | | | | | |
| 1 | VOE 11037861 | 1 | 1 | | | Brake Housing | Boitier Frein..... | Bremsgehäuse | Cuerpo De Freno | Bromshus..... | | |
| 2 | VOE 926254 | 1 | 1 | | | O-ring | Joint Torique | O-Ring | Junta torica..... | O-ring..... | | |
| 3 | VOE 11037030 | 7 | 7 | | | Friction Disc | Disque friction | Reibscheibe | Disco fricción | Friktionslamell..... | | |
| 4 | VOE 11037031 | 6 | 6 | | | Steel disc | Disque acier | Stahllamelle..... | Disco de acero | Stållamell..... | | |
| 5 | VOE 11037026 | 1 | 1 | | | Piston seal | Etanchei.piston | Kolbendichtung | Reten piston | Kolvtätning..... | | |
| 6 | VOE 11037027 | 1 | 1 | | | Piston seal | Etanchei.piston | Kolbendichtung | Reten piston | Kolvtätning..... | | |
| 7 | VOE 11144812 | 1 | 1 | | | Piston | Piston | Kolben | Piston | Kolv..... | | |
| 8 | VOE 11037581 | 1 | 1 | | | Shaft..... | Arbre | Welle | Arbol..... | Axel..... | | |
| 9 | VOE 4720905 | 22 | 22 | | | Spring..... | Ressort..... | Feder..... | Muelle..... | Fjäder..... | | |
| 10 | VOE 11037862 | 1 | 1 | | | Cover | Couvercle..... | Deckel | Tapa | Lock..... | | |
| 11 | VOE 926254 | 1 | 1 | | | O-ring | Joint Torique | O-Ring | Junta torica..... | O-ring..... | | |
| 12 | VOE 479955 | 3 | 3 | | | Plug..... | Bouchon | Stopfen..... | Tapon | Plugg..... | | |
| 13 | VOE 13970957 | 12 | 12 | | | Hexagon screw | Vis a tête hexagonale | Sechskantschr..... | Tornillo hexago..... | Sexkantsskruv..... | | |
| 14 | VOE 941908 | 12 | 12 | | | Spring Washer | Rondelle élastique | Federscheibe | Arandela flexible..... | Fjäderbricka..... | | |
| 15 | VOE 11108728 | 1 | 1 | | | Nipple..... | Raccord..... | Nippel | Niple | Nippel..... | | |
| 16 | VOE 968207 | 1 | 1 | | | O-ring | Joint Torique | O-Ring | Junta torica..... | O-ring..... | | |
| 17 | VOE 4880492 | 1 | 1 | | | O-ring | Joint Torique | O-Ring | Junta torica..... | O-ring..... | | |
| 18 | VOE 935100 | 1 | 1 | | | Plug..... | Bouchon | Stopfen..... | Tapon | Plugg..... | | |

| | | | | |
|---|-------|--|-----------------------|------------|
| 1 | 22523 | Parkeringsbroms Freno estacionamiento Feststellbremse Frein parking Parking brake | Catalogue id | Group |
| 2 | 22548 | | 20007 | 434 |
| 3 | | | Illustr. No | Section |
| 4 | | | EM234 | 150 |
| 5 | | | Issue | Page |
| | | | VOE 63D9920007 | 445 |

VOLVO

L90E



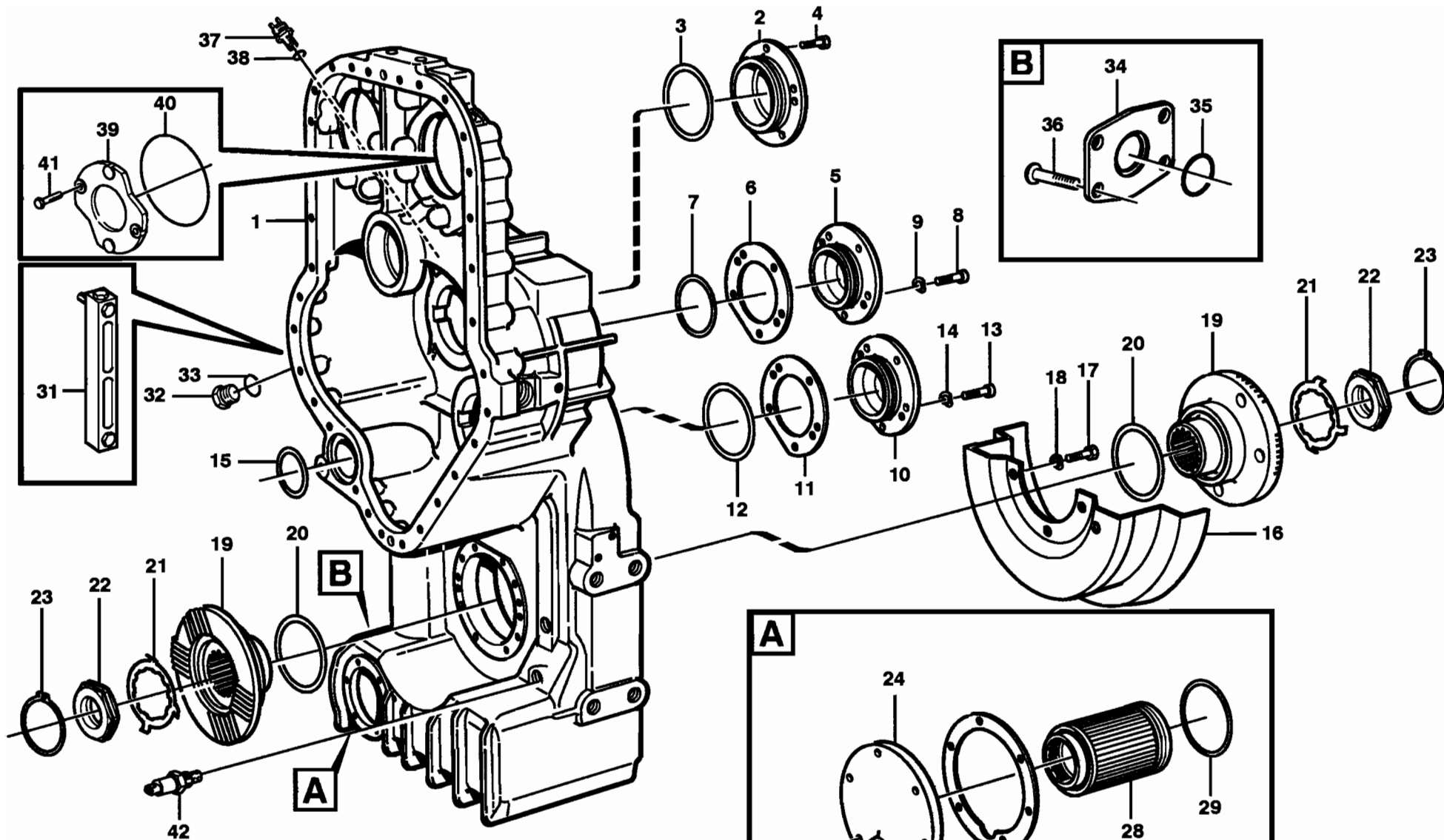
Volvo Construction
Equipment
1009498

| Fig. | Part No. | Quantity | | | P S | K I T | Description | Dénomination | Bezeichnung | Denominación | Benämning | Notes |
|------|--------------|----------|-----|---|--------|-----------------------|--------------------------|----------------------|------------------------|--------------------|-----------------|-------|
| | | 1 | 2 | 3 | | | | | | | | |
| 1 | VOE 11145179 | 1 | 1 | | | Drop Box Housing..... | Carter Boîte Transfert | Wasserkasten | Cuerpo Caja | Droppboxhus..... | | |
| 2 | VOE 11037586 | 1 | 1 | | | Cap | Chapeau | Kappe..... | Caperuza..... | Lock..... | | |
| 3 | VOE 976047 | 1 | 1 | | | O-ring..... | Joint Torique | O-Ring..... | Junta torica..... | O-ring..... | | |
| 4 | VOE 13970948 | 2 | 5 | | | Hexagon screw | Vis a tête hexagonale | Sechskantschr..... | Tornillo hexago..... | Sexkantsskruv..... | L = 30 MM | |
| | VOE 13970950 | 3 | | | | Hexagon screw | Vis a tête hexagonale | Sechskantschr..... | Tornillo hexago..... | Sexkantsskruv..... | L = 40 MM | |
| 5 | VOE 11144424 | 1 | 1 | | | Cap | Chapeau | Kappe..... | Caperuza..... | Lock..... | | |
| 6 | VOE 11144470 | REQ | REQ | | | Shim..... | Cale Reglage | Nachstellblech..... | Cuna de calzar | Justerbleck..... | THICK = 0,10 MM | |
| | VOE 11144469 | REQ | REQ | | | Shim..... | Cale Reglage | Nachstellblech..... | Cuna de calzar | Justerbleck..... | THICK = 0,35 MM | |
| | VOE 11144468 | REQ | REQ | | | Shim..... | Cale Reglage | Nachstellblech..... | Cuna de calzar | Justerbleck..... | THICK = 1,0 MM | |
| 7 | VOE 925257 | 1 | | | | O-ring..... | Joint Torique | O-Ring..... | Junta torica..... | O-ring..... | | |
| | VOE 925258 | | 1 | | | O-ring..... | Joint Torique | O-Ring..... | Junta torica..... | O-ring..... | | |
| 8 | VOE 13970948 | 5 | 5 | | | Hexagon screw | Vis a tête hexagonale | Sechskantschr..... | Tornillo hexago..... | Sexkantsskruv..... | | |
| 9 | VOE 941908 | 5 | 5 | | | Spring Washer | Rondelle élastique | Federscheibe | Arandela flexible..... | Fjäderbricka..... | | |
| 10 | VOE 11145366 | 1 | 1 | | | Bearing Housing | Carter Palier..... | Lagergehäuse | Caja Cojinete..... | Lagerhus..... | (VOE 11144466) | |
| 11 | VOE 11037246 | REQ | REQ | | | Shim..... | Cale Reglage | Nachstellblech..... | Cuna de calzar | Justerbleck..... | THICK = 0,10 MM | |
| | VOE 11037244 | REQ | REQ | | | Shim..... | Cale Reglage | Nachstellblech..... | Cuna de calzar | Justerbleck..... | THICK = 0,35 MM | |
| | VOE 11037243 | REQ | REQ | | | Shim..... | Cale Reglage | Nachstellblech..... | Cuna de calzar | Justerbleck..... | THICK = 1,0 MM | |
| 12 | VOE 925096 | 1 | 1 | | | O-ring..... | Joint Torique | O-Ring..... | Junta torica..... | O-ring..... | | |
| 13 | VOE 13970948 | 5 | 5 | | | Hexagon screw | Vis a tête hexagonale | Sechskantschr..... | Tornillo hexago..... | Sexkantsskruv..... | | |
| 14 | VOE 941908 | 5 | 5 | | | Spring Washer | Rondelle élastique | Federscheibe | Arandela flexible..... | Fjäderbricka..... | | |
| 15 | VOE 925256 | 1 | 1 | | | O-ring..... | Joint Torique | O-Ring..... | Junta torica..... | O-ring..... | | |
| 16 | VOE 4837016 | 1 | 1 | | | Oil Plate | Plaque Huile..... | Ölspritzblech | Reten De Aceite..... | Oljeplåt..... | | |
| 17 | VOE 946441 | 3 | 3 | | | Flange screw..... | Vis à bride | Flanschschraube..... | Tom embridado..... | Flänsskruv..... | | |
| 18 | VOE 941908 | 3 | 3 | | | Spring Washer | Rondelle élastique | Federscheibe | Arandela flexible..... | Fjäderbricka..... | | |
| 19 | VOE 11144491 | 2 | 2 | | | Comp Flange | Flasque Entrai..... | Antriebsflansch..... | Brida | Medbringare..... | | |
| 20 | VOE 925071 | 2 | 2 | | | O-ring..... | Joint Torique | O-Ring..... | Junta torica..... | O-ring..... | | |
| 21 | VOE 382779 | REQ | REQ | | | Lock Washer | Rondel.verroui..... | Sicher Scheibe | Arandel Segurid | Låsbricka..... | 0 DEG | |
| | VOE 383992 | REQ | REQ | | | Lock Washer | Rondel.verroui..... | Sicher Scheibe | Arandel Segurid | Låsbricka..... | 7,5 DEG | |
| 22 | VOE 4716226 | 2 | 2 | | | Nut | Ecrou..... | Mutter | Tuerca | Mutter..... | | |
| 23 | VOE 914480 | 2 | 2 | | | Snap Ring | Circlip..... | Nutring..... | Circlip | Spårring..... | | |

| | | | | |
|---|-------|--|--------------|---------|
| 1 | 22523 | Fördelningsväxellåda, hus och lock Caja de reenvío, caja y tapa Verteilergetriebe, Gehäuse und Deckel Boîte de transfert, boîtier et couvercle Transfer case, housing and covers | Catalogue id | Group |
| 2 | 22548 | | 20007 | 434 |
| 3 | | | Illustr. No | Section |
| 4 | | | 1009498 | 200 |
| 5 | | | Issue | Page |
| | | VOE 63D9920007 | 447 | |

VOLVO

L90E



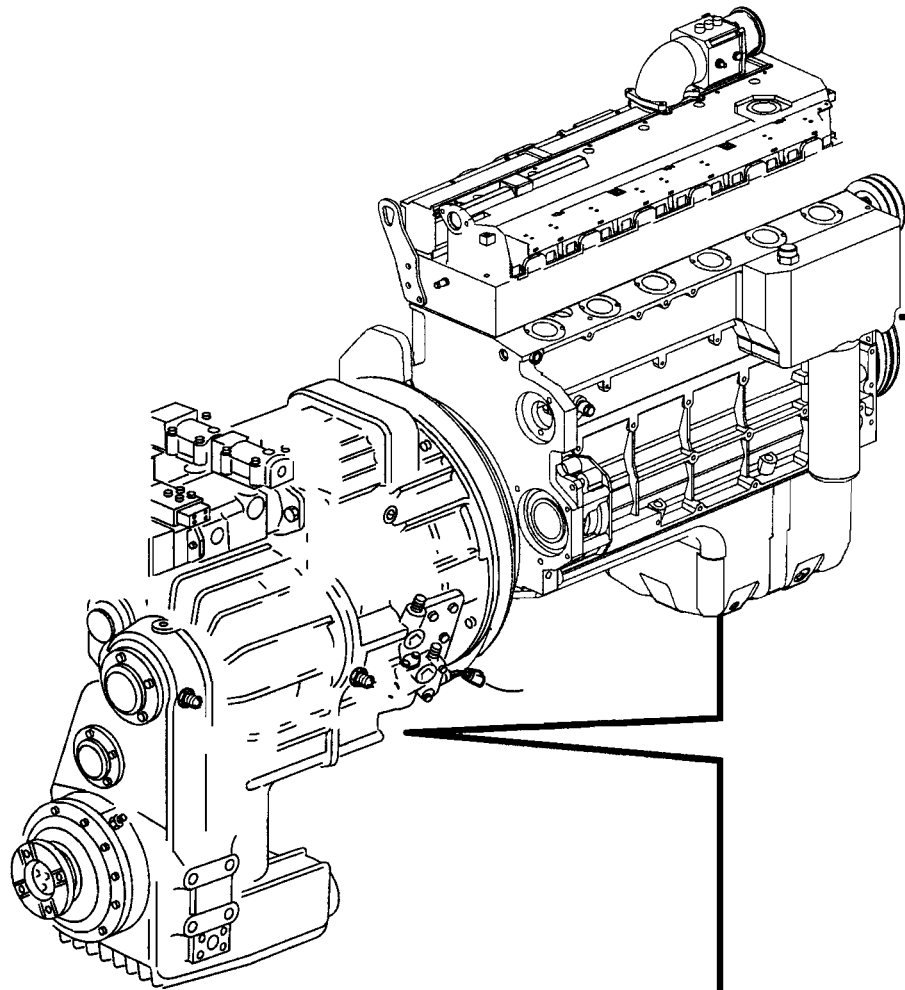
Volvo Construction
Equipment
1009498

| Fig. | Part No. | Quantity | | | P S | K I T | Description | Dénomination | Bezeichnung | Denominación | Benämning | Notes |
|------|--------------|----------|---|---|--------|------------------------|-----------------------|-----------------------|-----------------------|----------------------|-------------------------|-------|
| | | 1 | 2 | 3 | | | | | | | | |
| 24 | VOE 11038368 | 1 | 1 | | | Cover | Couvercle | Deckel | Tapa | Lock | | |
| 25 | VOE 11102187 | 1 | 1 | | | Magnetic Plug | Bouchon Magnet | Magnetstopfen | Tapon Magnetico | Magnetpropp | | |
| 26 | VOE 958228 | 1 | 1 | | | O-ring | Joint Torique | O-Ring | Junta torica | O-ring | | |
| 27 | VOE 11038369 | 1 | 1 | | | Gasket | Joint | Dichtung | Junta | Packning | | |
| 28 | VOE 11144432 | 1 | 1 | | | Strainer | Crépine | Seiher | Colador | Sil | | |
| 29 | VOE 925093 | 1 | 1 | | | O-ring | Joint Torique | O-Ring | Junta torica | O-ring | | |
| 30 | VOE 946671 | 6 | 8 | | | Flange screw | Vis à bride | Flanschschaube | Torn embridado | Flänsskruv | | |
| 31 | | 1 | | | | Level Inspection Glas. | Regard Vitre | Schauglas | Ventana Nivel | Nivåglas | See group 420, Page 397 | |
| 32 | VOE 13966143 | 2 | 2 | | | Plug | Bouchon | Stopfen | Tapon | Plugg | | |
| 33 | VOE 11130091 | 2 | | | | O-ring | Joint Torique | O-Ring | Junta torica | O-ring | | |
| 34 | VOE 11037816 | 2 | 2 | | | Cover | Couvercle | Deckel | Tapa | Lock | | |
| 35 | VOE 949659 | 2 | 2 | | | O-ring | Joint Torique | O-Ring | Junta torica | O-ring | | |
| 36 | VOE 946441 | 8 | 8 | | | Flange screw | Vis à bride | Flanschschaube | Torn embridado | Flänsskruv | | |
| 37 | VOE 4780941 | 1 | 1 | | | Ind Sensor | Emett.induction | Induktionsgeber | Sensor Inducc | Indukt.givare | SE403 | |
| 38 | VOE 967750 | 1 | 1 | | | O-ring | Joint torique | O-Ring | Anillo torico | O-ring | | |
| 39 | VOE 11144493 | 1 | 1 | | | Cover | Capot | Haube | Capo | Huv | | |
| 40 | VOE 960242 | 1 | 1 | | | O-ring | Joint Torique | O-Ring | Junta torica | O-ring | | |
| 41 | VOE 968435 | 2 | 2 | | | Flange screw | Vis à bride | Flanschschaube | Torn embridado | Flänsskruv | | |
| 42 | VOE 11144494 | | 1 | | | Oil Lvl Sensor | Capteur Niv Hui | Ölstandgeber | Sensor Niv Acei | Oljenivågivare | | |
| | VOE 11713718 | | 1 | | | •O-ring | •Joint Torique | •O-Ring | •Junta torica | •O-ring | | |

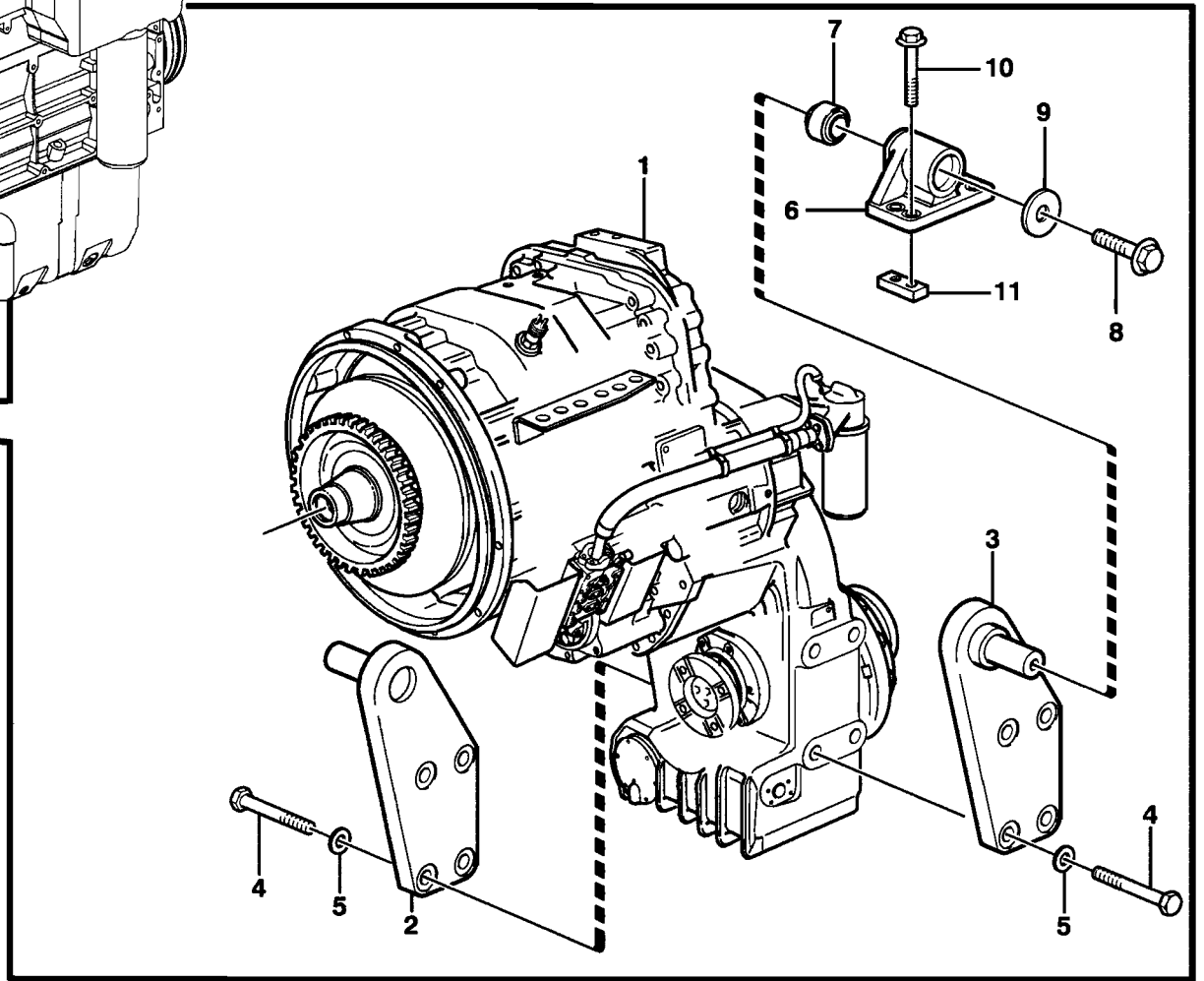
| | | | | |
|---|-------|--|----------------|---------|
| 1 | 22523 | Fördelningsväxellåda, hus och lock Caja de reenvío, caja y tapa Verteilergetriebe, Gehäuse und Deckel Boîte de transfert, boîtier et couvercle Transfer case, housing and covers | Catalogue id | Group |
| 2 | 22548 | | 20007 | 434 |
| 3 | | | Illustr. No | Section |
| 4 | | | 1009498 | 200 |
| 5 | | | Issue | Page |
| | | | VOE 63D9920007 | 449 |

VOLVO

L90E



Volvo Construction
Equipment
1001255

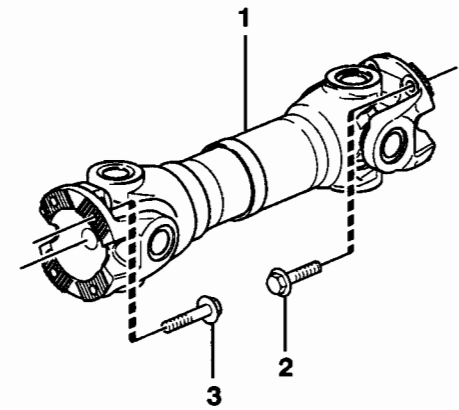
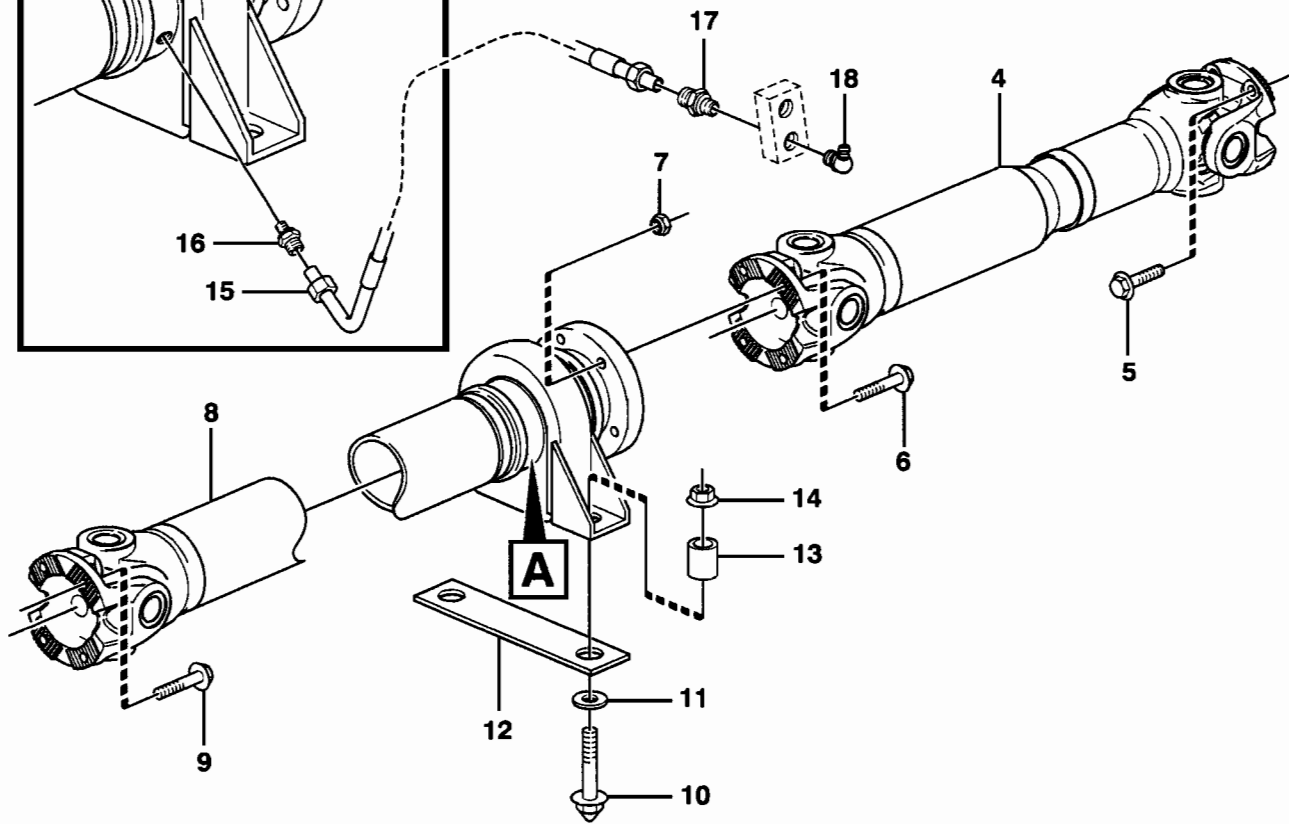
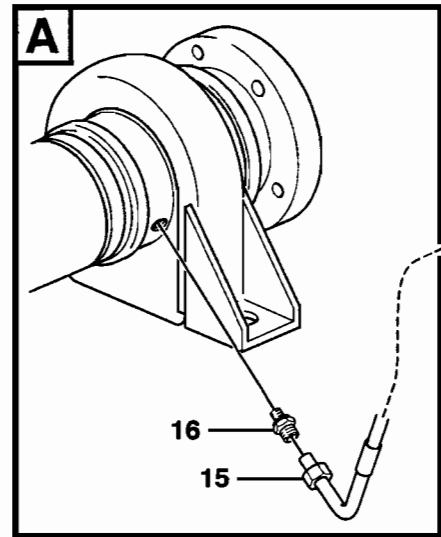


| Fig. | Part No. | Quantity | | | P S | K I T | Description | Dénomination | Bezeichnung | Denominación | Benämning | Notes |
|------|--------------|----------|---|----|--------|----------------------|-----------------------|---------------------|---------------------|--------------------|-------------------------|-------|
| | | 1 | 2 | 3 | | | | | | | | |
| 1 | | 1 | 1 | | | Hydr xmsn..... | Trans.hydrauli..... | Hydr antrieb..... | Transm hidraul..... | Hydraultransm..... | See group 420, Page 389 | |
| 2 | VOE 11173116 | 1 | 1 | | | Attachment..... | Fixation..... | Halterung..... | Fijacion..... | Fäste..... | LH | |
| 3 | VOE 11173117 | 1 | 1 | | | Attachment..... | Fixation..... | Halterung..... | Fijacion..... | Fäste..... | RH | |
| 4 | VOE 978950 | 8 | 8 | | | Screw..... | Vis..... | Schraube..... | Tornillo..... | Skruv..... | | |
| 5 | VOE 930850 | 8 | 8 | | | Washer..... | Rondelle..... | Scheibe..... | Arandela..... | Bricka..... | | |
| 6 | VOE 11173029 | 2 | 2 | | | Attachment..... | Fixation..... | Halterung..... | Fijacion..... | Fäste..... | | |
| 7 | | 2 | 2 | NS | | •Rubber element..... | •Element caoutch..... | •Gummielement..... | •Elemento goma..... | •Gummielement..... | | |
| 8 | VOE 968435 | 2 | 2 | | | Flange screw..... | Vis à bride..... | Flanschschaube..... | Torn embridado..... | Flänsskruv..... | | |
| 9 | VOE 11024597 | 2 | 2 | | | Washer..... | Rondelle..... | Scheibe..... | Arandela..... | Bricka..... | | |
| 10 | VOE 13968302 | 8 | 8 | | | Flange screw..... | Vis à bride..... | Flanschschaube..... | Torn embridado..... | Flänsskruv..... | | |
| 11 | VOE 4898544 | 4 | 4 | | | Nut Plate..... | Plaque Filetee..... | Gewindeplatte..... | Placa Tuerca..... | Mutterplatta..... | | |

| | | | | |
|---|-----------------|---|----------------|---------|
| 1 | STD | Växellådsupphängning Suspensión de la caja de cambios Getriebeaufhängung Suspension boîte vitesses Gear box housing with fitting parts | Catalogue id | Group |
| 2 | 33286 OPEN ROPS | | 20007 | 436 |
| 3 | | | Illustr. No | Section |
| 4 | | | 1001255 | 100 |
| 5 | | | Issue | Page |
| | | | VOE 63D9920007 | 451 |

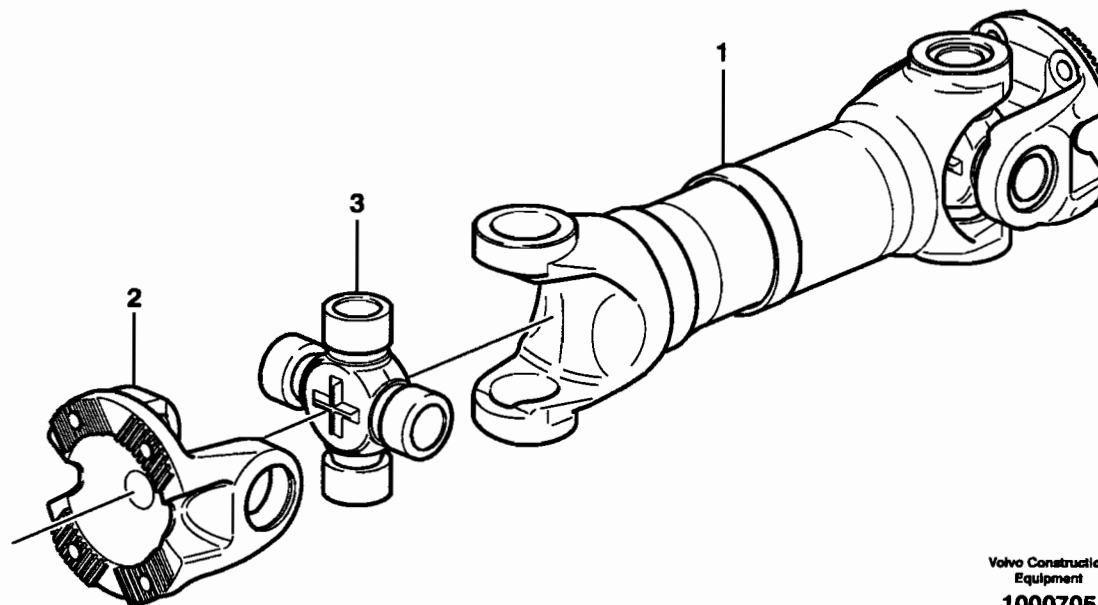
VOLVO

L90E



| Fig. | Part No. | Quantity | | | P S | K T | Description | Dénomination | Bezeichnung | Denominación | Benämning | Notes |
|------|--------------|----------|---|---|--------|--------|----------------------|--------------------------|------------------------|----------------------------|---------------------|-------------------------|
| | | 1 | 2 | 3 | | | | | | | | |
| 1 | VOE 11172831 | 1 | | | | | Propeller shaft..... | Arbre cardan | Gelenkwelle..... | Arbol transm | Kardanaxel..... | See group 451, Page 455 |
| 2 | VOE 975110 | 4 | | | | | Flange screw..... | Vis à bride | Flanschschaube..... | Torn embridado..... | Flänsskruv..... | |
| 3 | VOE 975111 | 4 | | | | | Flange screw..... | Vis à bride | Flanschschaube..... | Torn embridado..... | Flänsskruv..... | |
| 4 | VOE 11172831 | 1 | | | | | Propeller shaft..... | Arbre cardan | Gelenkwelle..... | Arbol transm | Kardanaxel..... | See group 451, Page 457 |
| 5 | VOE 975111 | 4 | | | | | Flange screw..... | Vis à bride | Flanschschaube..... | Torn embridado..... | Flänsskruv..... | |
| 6 | VOE 975111 | 4 | | | | | Flange screw..... | Vis à bride | Flanschschaube..... | Torn embridado..... | Flänsskruv..... | |
| 7 | VOE 981315 | 4 | | | | | Lock nut | Contre-ecrou | Sicherungsmutter | Contratuerca | Låsmutter..... | |
| 8 | VOE 11173084 | 1 | | | | | Propeller shaft..... | Arbre cardan | Gelenkwelle..... | Arbol transm | Kardanaxel..... | See group 451, Page 459 |
| 9 | VOE 975110 | 4 | | | | | Flange screw..... | Vis à bride | Flanschschaube..... | Torn embridado..... | Flänsskruv..... | |
| 10 | VOE 13966366 | 2 | | | | | Flange screw..... | Vis à bride | Flanschschaube..... | Torn embridado..... | Flänsskruv..... | |
| 11 | VOE 930844 | 2 | | | | | Washer..... | Rondelle | Scheibe | Arandela | Bricka..... | |
| 12 | VOE 4935504 | 2 | | | | | Shim..... | Cale Reglage | Nachstellblech..... | Cuna de calzar | Justerbleck..... | |
| 13 | VOE 4854494 | 2 | | | | | Spacer..... | Entretoise | Abstandstueck..... | Casquillo distanciad | Distans..... | |
| 14 | VOE 971100 | 2 | | | | | Flange Lock Nut..... | Contre écrou bride | Flanschmutter | Contratuer Embr..... | Flänslåsmutter..... | |
| 15 | VOE 11130675 | 2 | | | | | Hose..... | Durit | Schlauch | Tubo flexible | Slang..... | L = 460 MM |
| 16 | VOE 11027540 | 2 | | | | | Nipple..... | Raccord..... | Nippel..... | Niple | Nippel..... | |
| 17 | VOE 946089 | 2 | | | | | Nipple..... | Raccord..... | Nippel..... | Niple | Nippel..... | |
| 18 | VOE 914169 | 2 | | | | | Nipple..... | Raccord..... | Nippel..... | Niple | Nippel..... | |

| | | | | |
|---|--|--|-----------------------|------------|
| 1 | | Kardanaxlar med monteringsdetaljer | Catalogue id | Group |
| 2 | | Ejes cardán con accerorios de montaje | 20007 | 451 |
| 3 | | Gelenkwelle mit Anbauteilen | Illustr. No | Section |
| 4 | | Arbres de transmission avec pieces de montage | 1000263 | 100 |
| 5 | | Propeller shafts with fitting parts | Issue | Page |
| | | STD, OPEN ROPS | VOE 63D9920007 | 453 |



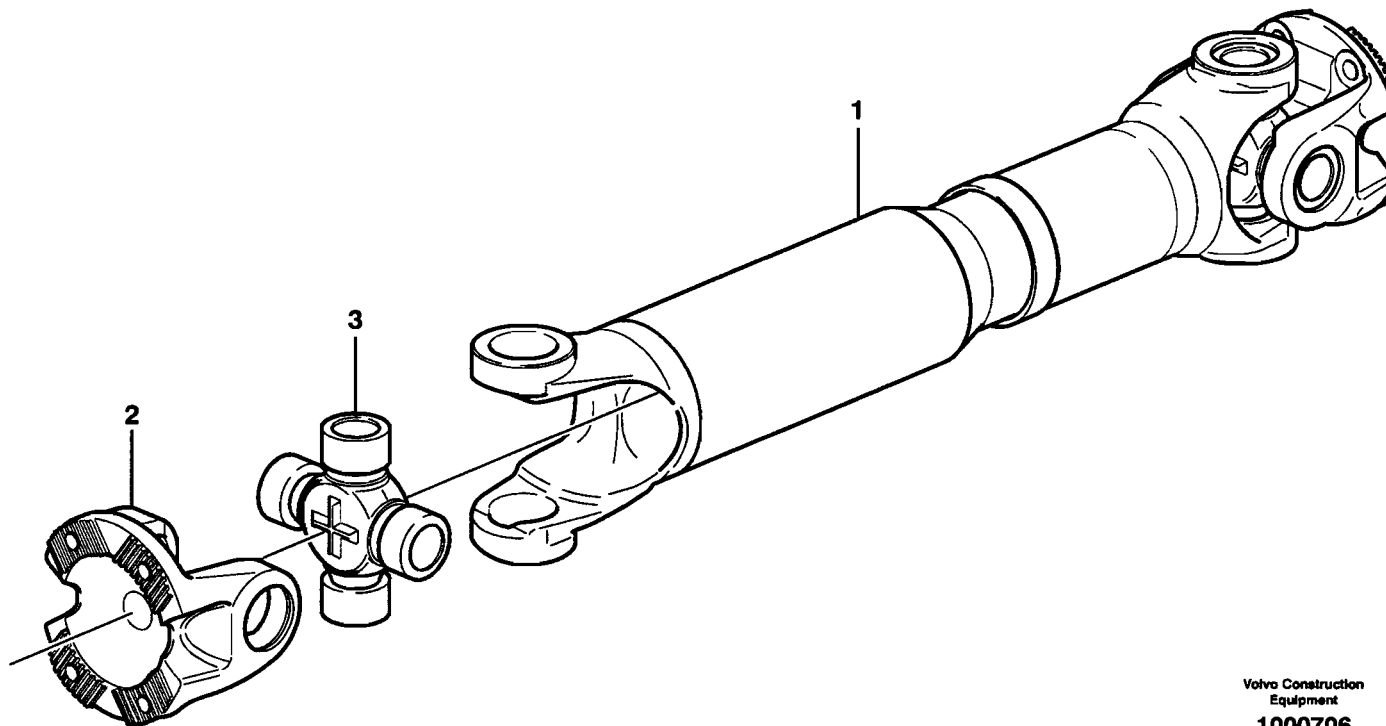
Volvo Construction
Equipment
1000705

| Fig. | Part No. | Quantity | | | P S | K I T | Description | Dénomination | Bezeichnung | Denominación | Benämning | Notes |
|----------|---------------------|----------|---|---|-----------|------------------------|------------------------|----------------------|----------------------|--------------------|-----------|-------|
| | | 1 | 2 | 3 | | | | | | | | |
| | VOE 11172831 | 1 | | | | Propeller shaft..... | Arbre cardan | Gelenkwelle..... | Arbol transm..... | Kardanaxel..... | | |
| 1 | | 1 | | | NS | •Propeller shaft | •Arbre cardan | •Gelenkwelle | •Arbol transm..... | •Kardanaxel..... | | |
| 2 | VOE 1069507 | 2 | | | | •Flange Yoke | •Chape Bridee..... | •Flanschgabel..... | •Horq Embridada..... | •Fläns-gaffel..... | | |
| 3 | VOE 11708996 | 2 | | | | •U-joint Kit | •Kit Croissillon | •Achssternsatz | •Juego Cruceta..... | •Axelkorssats..... | | |
| | VOE 11712222 | 2 | | | | ••Lub Nipple | ••Graisseur | ••Schmiernippel..... | ••Engrasador | ••Smörjnippel..... | | |

| | | | | |
|----------|--|---------------------------------|-----------------------|----------------|
| 1 | | Kardanaxel bakre | Catalogue id | Group |
| 2 | | Eje cardán, trasero | 20007 | 451 |
| 3 | | Gelenkwelle, hintere | Illustr. No | Section |
| 4 | | Arbre à cardans, arrière | 1000705 | 150 |
| 5 | | Propellershaft rear | Issue | Page |
| | | STD, OPEN ROPS | VOE 63D9920007 | 455 |

VOLVO

L90E



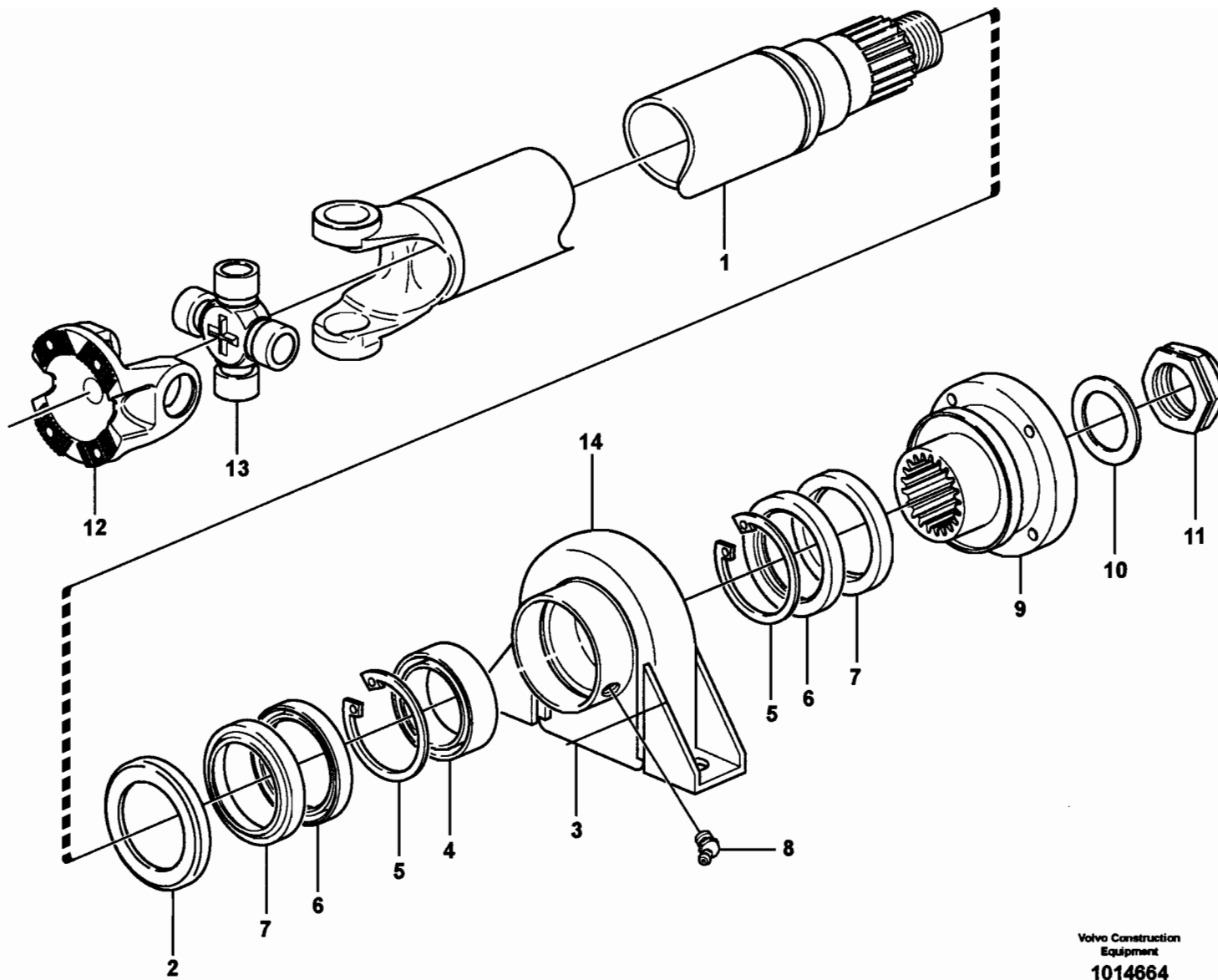
Volvo Construction
Equipment
1000706

| Fig. | Part No. | Quantity | | | P S | K I T | Description | Dénomination | Bezeichnung | Denominación | Benämning | Notes |
|------|--------------|----------|---|---|--------|-------------|------------------------|------------------------|----------------------|----------------------|--------------------|-------|
| | | 1 | 2 | 3 | | | | | | | | |
| | VOE 11172831 | 1 | | | | | Propeller shaft..... | Arbre cardan | Gelenkwelle..... | Arbol transm..... | Kardanaxel..... | |
| 1 | | 1 | | | NS | | •Propeller shaft | •Arbre cardan | •Gelenkwelle | •Arbol transm..... | •Kardanaxel..... | |
| 2 | VOE 1069507 | 2 | | | | | •Flange Yoke | •Chape Bridee..... | •Flanschgabel..... | •Horq Embridada..... | •Flänsngaffel..... | |
| 3 | VOE 11708996 | 2 | | | | | •U-joint Kit | •Kit Croissillon | •Achssternsatz | •Juego Cruceta..... | •Axelkorssats..... | |
| | VOE 11712222 | 2 | | | | | ••Lub Nipple | ••Graisseur | ••Schmiernippel..... | ••Engrasador | ••Smörjnippel..... | |

| | | | |
|---|--|-----------------------|------------|
| 1 | Kardanaxel mittersta Eje cardán, medio Gelenkwelle, mittere Arbre à cardans, médian Propeller shaft middle STD, OPEN ROPS | Catalogue id | Group |
| 2 | | 20007 | 451 |
| 3 | | Illustr. No | Section |
| 4 | | 1000706 | 200 |
| 5 | | Issue | Page |
| | | VOE 63D9920007 | 457 |

VOLVO

L90E



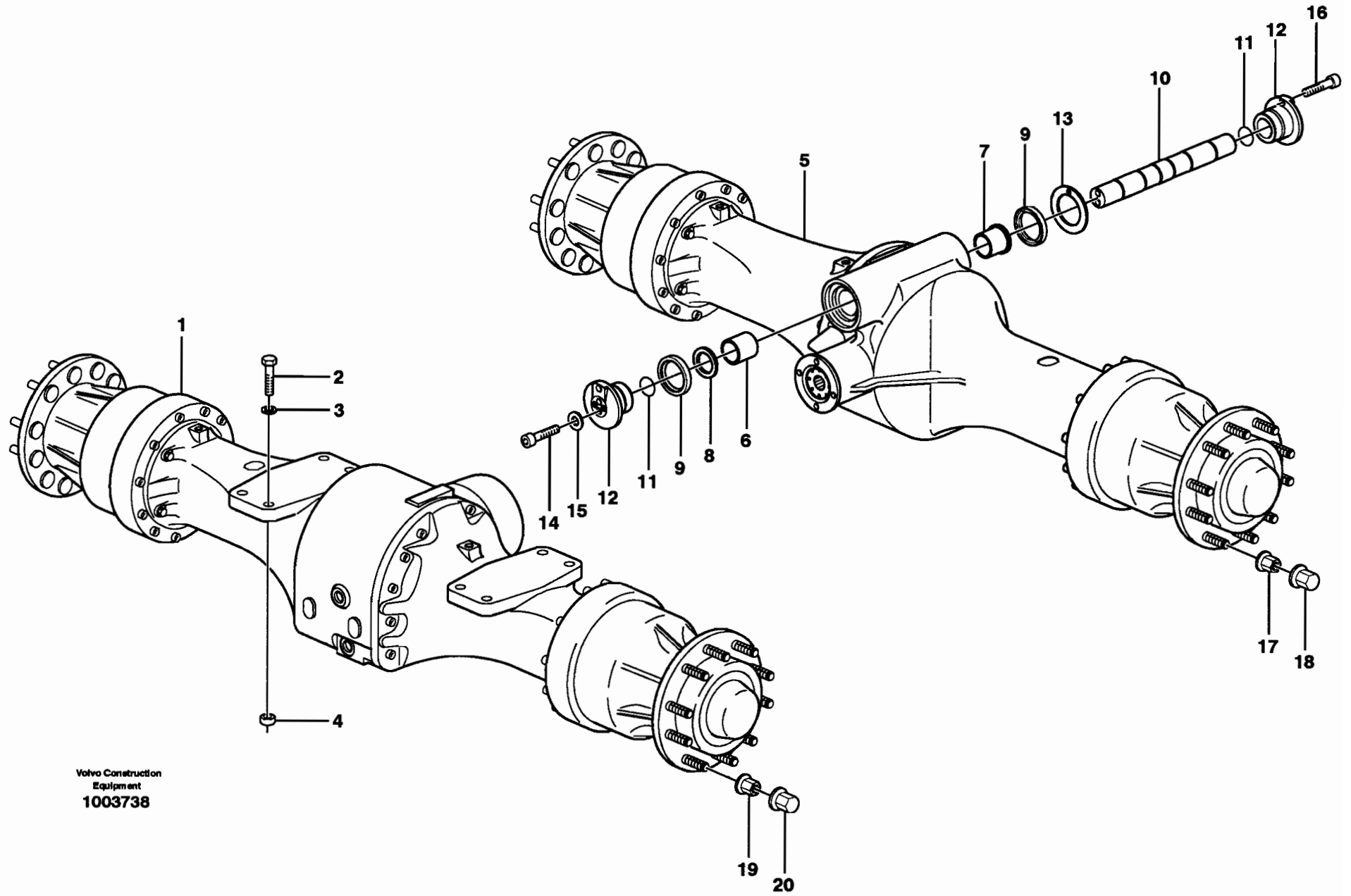
Volvo Construction
Equipment
1014664

| Fig. | Part No. | Quantity | | | P S | K I T | Description | Dénomination | Bezeichnung | Denominación | Benämning | Notes |
|------|---------------------|----------|---|---|--------|-------------|------------------------|-------------------------|-----------------------|-----------------------|---------------------|-------|
| | | 1 | 2 | 3 | | | | | | | | |
| | VOE 11173084 | 1 | | | | | Propeller shaft..... | Arbre cardan | Gelenkwelle..... | Arbol transm | Kardanaxel..... | |
| 1 | | 1 | | | NS | | •Propeller shaft | •Arbre cardan | •Gelenkwelle | •Arbol transm..... | •Kardanaxel..... | |
| 2 | VOE 263012 | 1 | | | | | •Dust Cover..... | •Pare-poussiere | •Staubschutz | •Prot Polvo | •Dammskydd..... | |
| 3 | VOE 6212888 | 1 | | | | | •Support Bearing..... | •Palier-pilote..... | •Zwischenlager..... | •Cojinete Apoyo..... | •Stödlager..... | |
| 4 | | 1 | | | NS | | ••Ball Bearing | ••Roulemen.billes | ••Kugellager | ••Cojinete Bolas..... | ••Kullager..... | |
| 5 | VOE 914548 | 2 | | | | | ••Snap Ring..... | ••Circlip..... | ••Nutring | ••Circlip..... | ••Spårring..... | |
| 6 | VOE 959042 | 2 | | | | | ••Sealing ring | ••Bague d'étanchéité.. | ••Runddichtring | ••Anillo reten | ••Tätningsring..... | |
| 7 | VOE 263005 | 2 | | | | | ••Protecting Ring..... | ••Bagu.protecti. | ••Schutzring..... | ••Anillo Protect..... | ••Skyddsring..... | |
| 8 | VOE 13951740 | 2 | | | | | ••Nipple | ••Raccord | ••Nippel | ••Niple..... | ••Nippel..... | |
| 9 | VOE 11709012 | 1 | | | | | •Conn Flange | •Bride Connexion | •Anschl Flansch..... | •Brida Conexion | •Anslutn.fläns..... | |
| 10 | VOE 13948269 | 1 | | | | | •Washer | •Rondelle..... | •Scheibe | •Arandela..... | •Bricka..... | |
| 11 | VOE 13948320 | 1 | | | | | •Nut | •Ecrou | •Mutter..... | •Tuerca | •Mutter..... | |
| 12 | VOE 1069507 | 1 | | | | | •Flange Yoke | •Chape Bridee..... | •Flanschgabel..... | •Horq Embridada | •Flänsgaffel..... | |
| 13 | VOE 11708996 | 1 | | | | | •U-joint Kit | •Kit Croissillon | •Achssternsatz | •Juego Cruceta..... | •Axelkorssats..... | |
| | VOE 11712222 | 2 | | | | | •Lub Nipple | •Graisneur | •Schmiemippel..... | •Engrasador | •Smörjnippel..... | |
| 14 | VOE 263006 | 1 | | | | | •Clamp | •Pince Serrage | •Klemme..... | •Abrazadera | •Klämma..... | |

| | | | | |
|---|--|-----------------------------------|-----------------------|------------|
| 1 | | Kardanaxel främre | Catalogue id | Group |
| 2 | | Eje cardán, delantero | 20007 | 451 |
| 3 | | Gelenkwelle, vordere | Illustr. No | Section |
| 4 | | Arbre à cardans, antérieur | 1014664 | 250 |
| 5 | | Power shaft front | Issue | Page |
| | | STD, OPEN ROPS | VOE 63D9920007 | 459 |

VOLVO

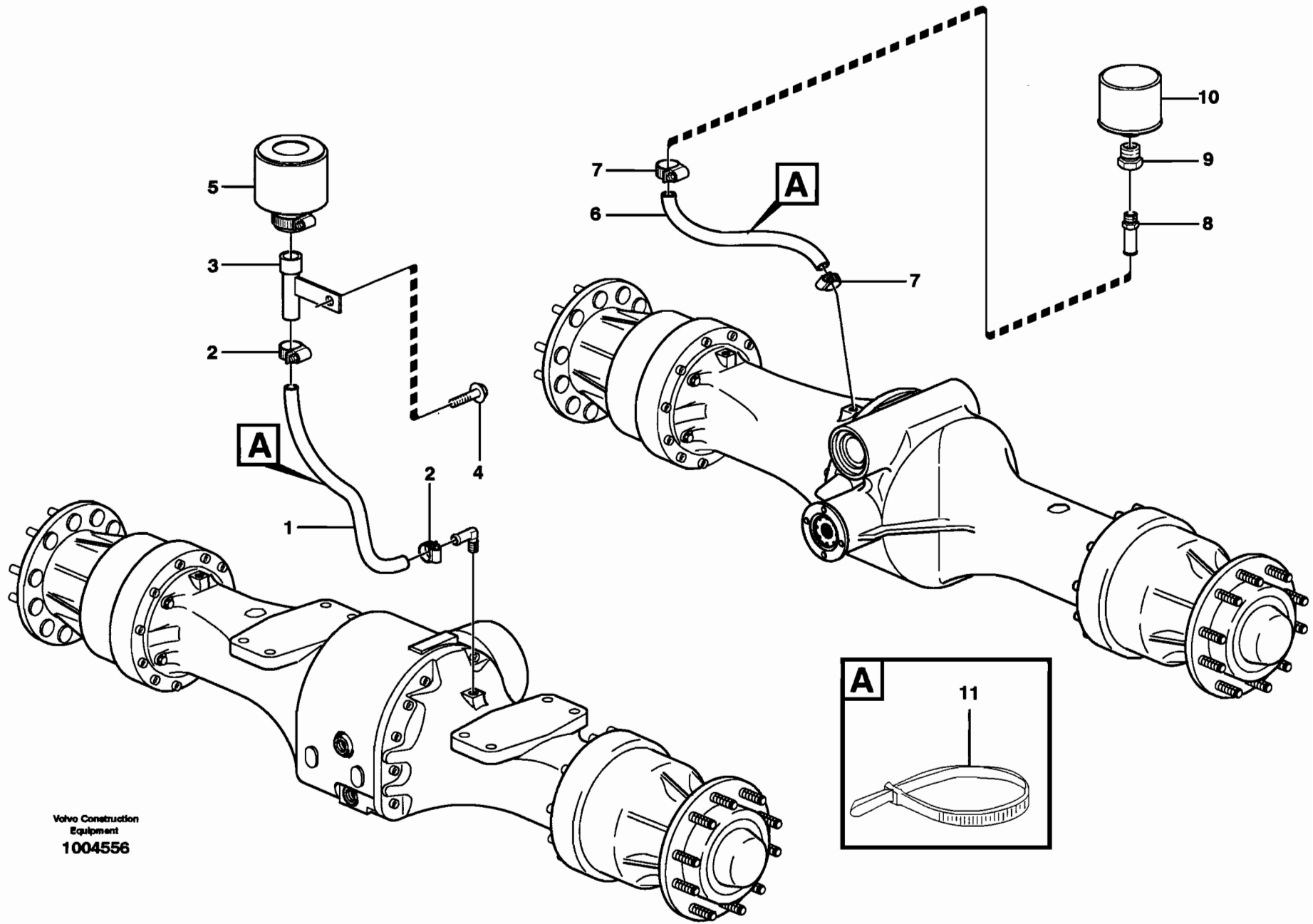
L90E



Volvo Construction
Equipment
1003738

| Fig. | Part No. | Quantity | | | P S | K I T | Description | Dénomination | Bezeichnung | Denominación | Benämning | Notes |
|------|--------------|----------|---|---|--------|----------------------|--------------------------|-----------------------|-----------------------|---------------------|----------------------------------|-------|
| | | 1 | 2 | 3 | | | | | | | | |
| 1 | VOE 23919 | 1 | | | | Planet Shaft | Axe Satellite | Planetenwelle | Eje Planeta | Planetaxel | AWB25 See group 461, Page 465 | |
| 2 | VOE 4935019 | 8 | | | | Screw | Vis | Schraube | Tornillo | Skruv | | |
| 3 | VOE 13930888 | 16 | | | | Washer | Rondelle | Scheibe | Arandela | Bricka | | |
| 4 | VOE 11105306 | 8 | | | | Nut | Ecrou | Mutter | Tuerca | Mutter | | |
| 5 | VOE 23920 | 1 | | | | Planet Shaft | Axe Satellite | Planetenwelle | Eje Planeta | Planetaxel | AWB20 See group 463, Page 475 | |
| 6 | VOE 11168117 | 1 | | | | Bushing | Bague | Buchse | Casquillo | Bussning | | |
| 7 | VOE 11168116 | 1 | | | | Bushing | Bague | Buchse | Casquillo | Bussning | | |
| 8 | VOE 11168133 | 1 | | | | Washer | Rondelle | Scheibe | Arandela | Bricka | | |
| 9 | VOE 11168067 | 2 | | | | Sealing ring | Bague d'étanchéité | Runddichtring | Anillo reten | Tättningsring | | |
| 10 | VOE 11168045 | 1 | | | | Shaft | Arbre | Welle | Arbol | Axel | | |
| 11 | VOE 925254 | 2 | | | | O-ring | Joint Torique | O-Ring | Junta torica | O-ring | | |
| 12 | VOE 11168049 | 2 | | | | Sleeve | Manchon | Muffe | Manguito | Muff | | |
| 13 | VOE 11173077 | REQ | | | | Shim | Cale d'épaisseur | Passscheibe | Arandela Ajuste | Passbricka | THICK=1,0MM | |
| | VOE 11173078 | REQ | | | | Shim | Cale d'épaisseur | Passscheibe | Arandela Ajuste | Passbricka | THICK=0,35MM | |
| | VOE 11173079 | REQ | | | | Shim | Cale d'épaisseur | Passscheibe | Arandela Ajuste | Passbricka | THICK=0,1MM | |
| 14 | VOE 949544 | 2 | | | | Allen Hd Screw | Vis A 6 Pans Cr | Inbusschraube | Torn Hex Embut | Insexskruv | | |
| 15 | VOE 4870206 | 4 | | | | Washer | Rondelle | Scheibe | Arandela | Bricka | | |
| 16 | VOE 959544 | 2 | | | | Allen Hd Screw | Vis A 6 Pans Cr | Inbusschraube | Torn Hex Embut | Insexskruv | | |
| 17 | VOE 947972 | 32 | | | | Lug Nut | Ecrou Roue | Radmutter | Tuerca Rueda | Hjulmutter | | |
| 18 | VOE 11100354 | 32 | | | | Nut Cap | Capot Ecrou | Mutterdeckkappe | Tapa Tuerca | Mutterkåpa | | |
| 19 | VOE 947972 | 32 | | | | Lug Nut | Ecrou Roue | Radmutter | Tuerca Rueda | Hjulmutter | | |
| 20 | VOE 11100354 | 32 | | | | Nut Cap | Capot Ecrou | Mutterdeckkappe | Tapa Tuerca | Mutterkåpa | | |

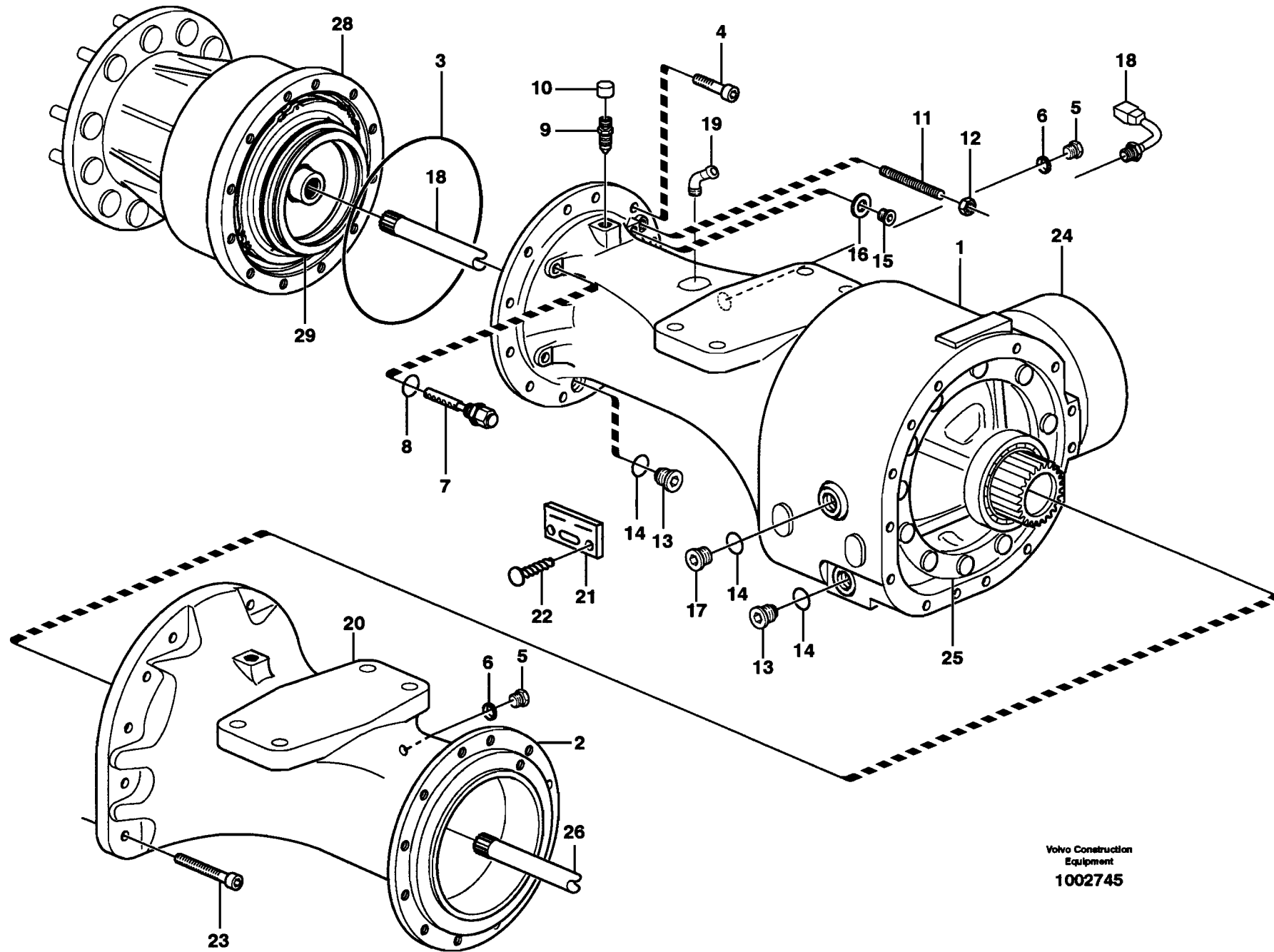
| | | | | |
|---|--|--|----------------|------------|
| 1 | | Planetaxlar med monteringsdetaljer Ejes planetarios con accesorios de montaje Planetenwellen mit Anbauteilen Train planétaire avec pièces de montage Planet axles with fitting parts STD, OPEN ROPS | Catalogue id | Group |
| 2 | | | 20007 | 460 |
| 3 | | | Illustr. No | Section |
| 4 | | | 1003738 | 100 |
| 5 | | | Issue | Page |
| | | VOE 63D9920007 | 461 | |



Volvo Construction
 Equipment
 1004556

| Fig. | Part No. | Quantity | | | P S | K I T | Description | Dénomination | Bezeichnung | Denominación | Benämning | Notes |
|------|--------------|----------|---|---|--------|-------------|-------------------|---------------------|----------------------|----------------------|-----------------|---|
| | | 1 | 2 | 3 | | | | | | | | |
| 1 | VOE 982551 | REQ | | | | | Hose..... | Durit | Schlauch | Tubo flexible | Slang..... | L = 450MM |
| 2 | VOE 13943472 | 2 | | | | | Clamp..... | Pince Serrage | Klemme | Abrazadera..... | Klämma..... | |
| 3 | VOE 11132263 | 1 | | | | | Attachment..... | Fixation | Halterung..... | Fijacion | Fäste..... | |
| 4 | VOE 946329 | 1 | | | | | Flange screw..... | Vis à bride | Flanschschraube..... | Torn embridado..... | Flänskruv..... | |
| 5 | VOE 11172907 | 1 | | | | | Air filter..... | Filtre a air | Lufffilter | Filtro de aire | Lu ffilter..... | |
| 6 | VOE 941522 | REQ | | | | | Hose..... | Durit | Schlauch | Tubo flexible | Slang..... | L = 950MM |
| 7 | VOE 13943472 | 2 | | | | | Clamp..... | Pince Serrage | Klemme | Abrazadera..... | Klämma..... | |
| 8 | VOE 13945568 | 1 | | | | | Nipple..... | Raccord..... | Nippel..... | Niple | Nippel..... | SER NO - 20226 SER NO - 66151 USA SER NO - 70806 BRAZIL |
| | VOE 11410458 | 1 | | | | | Nipple..... | Raccord..... | Nippel..... | Niple | Nippel..... | SER NO 20227 - SER NO 66152 - USA SER NO 70807 - BRAZIL |
| 9 | VOE 11055905 | 1 | | | | | Nipple..... | Raccord..... | Nippel..... | Niple | Nippel..... | |
| 10 | VOE 11172907 | 1 | | | | | Air filter..... | Filtre a air | Lufffilter | Filtro de aire | Lu ffilter..... | |
| 11 | VOE 4881440 | 2 | | | | | Strip Clamp | Ruban Serrage..... | Kabelbinder..... | Abraz Cinta | Bandklamma..... | |

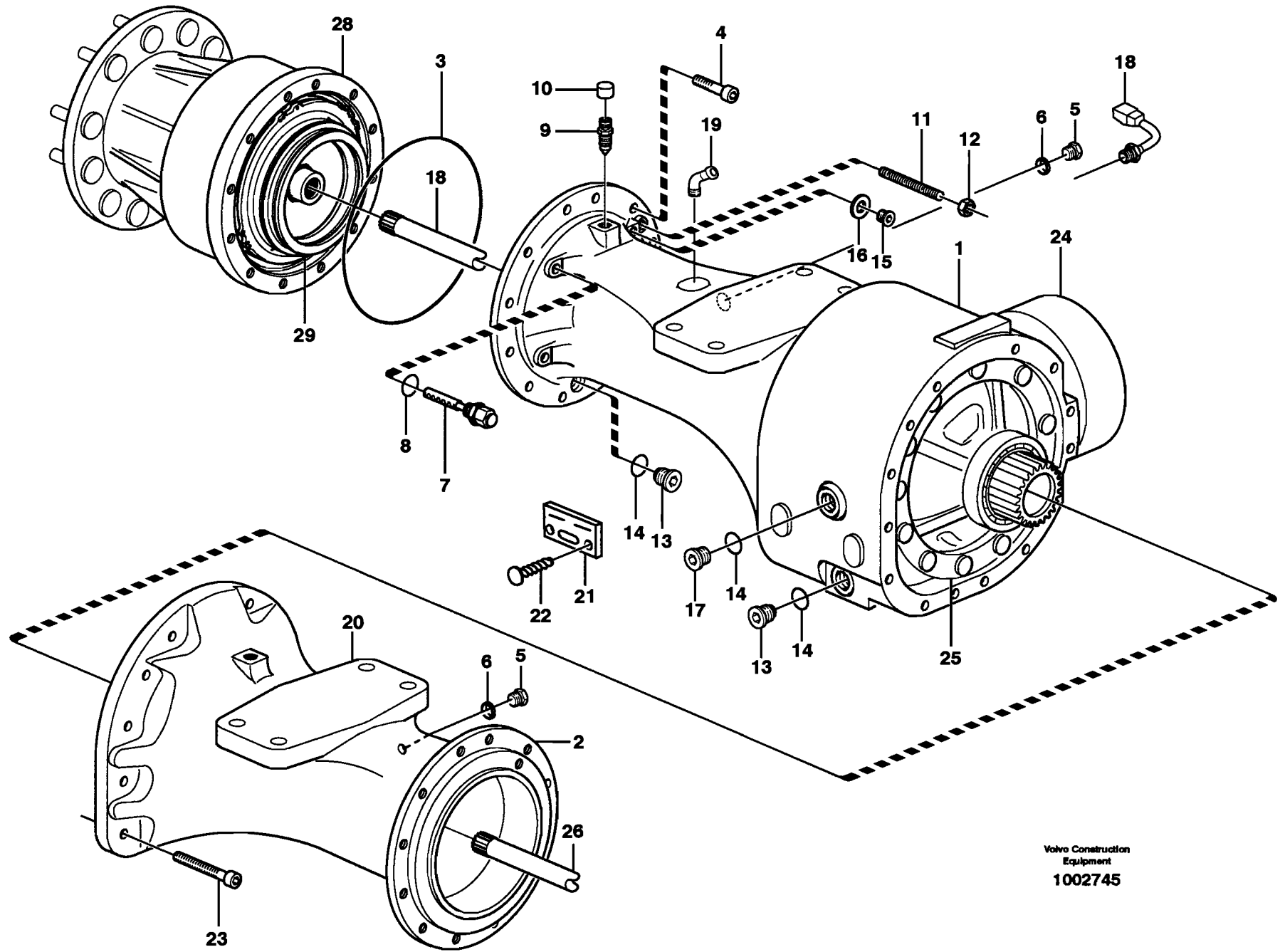
| | | | | |
|---|--|-------------------------------|----------------|---------|
| 1 | | Avluftning, planetaxlar | Catalogue id | Group |
| 2 | | Ventilación, ejes planetarios | 20007 | 460 |
| 3 | | Lüftung, Planetenachsen | Illustr. No | Section |
| 4 | | Aération, train planétaire | 1004556 | 150 |
| 5 | | Venting, planetary gear | Issue | Page |
| | | STD, OPEN ROPS | VOE 63D9920007 | 463 |



Volvo Construction
Equipment
1002745

| Fig. | Part No. | Quantity | | | P S | K I T | Description | Dénomination | Bezeichnung | Denominación | Benämning | Notes |
|------|---------------------|-----------|---|---|--------|--------------------------|---------------------------|--------------------------|-----------------------------|-------------------------|-------------------------|-------|
| | | 1 | 2 | 3 | | | | | | | | |
| | VOE 23919 | 1 | | | | Planet Shaft | Axe Satellite | Planetenwelle | Eje Planeta | Planetaxel | AWB 19 | |
| 1 | | 1 | | | NS | •Axle Casing | •Boite Essieu | •Achsgehäuse | •Carter Eje | •Axelkápa | RH | |
| 2 | | 1 | | | NS | •Axle Casing | •Boite Essieu | •Achsgehäuse | •Carter Eje | •Axelkápa | LH | |
| 3 | VOE 11034981 | 2 | | | | •O-ring | •Joint Torique | •O-Ring | •Junta torica | •O-ring | | |
| 4 | VOE 949544 | 32 | | | | •Allen Hd Screw | •Vis A 6 Pans Cr | •Inbusschraube | •Torn Hex Embut | •Insexskruv | | |
| 5 | VOE 13960632 | 2 | | | | •Plug | •Bouchon | •Stopfen | •Tapon | •Plugg | | |
| 6 | VOE 13947624 | 2 | | | | •Plane Gasket | •Joint Plan | •Flachdichtung | •Junta Plana | •Planpackning | | |
| 7 | VOE 11102446 | 2 | | | | •Wear Indicator | •Indicat.d'usure | •Versch.anzeiger | •Indicador Desga | •Slit.indikator | | |
| 8 | VOE 976970 | 2 | | | | •O-ring | •Joint Torique | •O-Ring | •Junta torica | •O-ring | | |
| 9 | VOE 4871469 | 2 | | | | •Air Vent Valve | •Robinet Purge | •Entluft Vent | •Valvula Purga | •Avluftn.ventil | | |
| 10 | VOE 11034256 | 2 | | | | •Protective cap | •Capuchon de protec | •Schutzkappe | •Cubierta de protecci | •Skyddshatt | | |
| 11 | VOE 11035450 | 4 | | | | •Screw | •Vis | •Schraube | •Tornillo | •Skruv | | |
| 12 | VOE 955793 | 4 | | | | •Hexagon Nut | •Ecrou Hexagonal | •Sechskantmutter | •Tuerca Hexagon | •Sexkantsmutter | | |
| 13 | VOE 11102187 | 3 | | | | •Magnetic Plug | •Bouchon Magnet | •Magnetstopfen | •Tapon Magnetico | •Magnetpropp | | |
| 14 | VOE 958228 | 3 | | | | •O-ring | •Joint Torique | •O-Ring | •Junta torica | •O-ring | | |
| 15 | VOE 960630 | 3 | | | | •Lock Plug | •Tampon Verroui | •Verschlusschraube | •Tapon Seguridad | •Låsplugg | | |
| 16 | VOE 976929 | 3 | | | | •Gasket | •Joint | •Dichtung | •Junta | •Packning | | |
| 17 | VOE 11034156 | 1 | | | | •Plug | •Bouchon | •Stopfen | •Tapon | •Plugg | | |
| 18 | VOE 11039193 | 1 | | | | •Temp Sensor | •Detecteur Temp. | •Temperaturgeber | •Sensor Temperat | •Temp Givare | SE410 | |
| 19 | VOE 942337 | 1 | | | | •Nipple | •Raccord | •Nippel | •Niple | •Nippel | | |
| 20 | | 1 | | | | •Differential lock | •Blocage différentiel ... | •Ausgleichsperre | •Bloqueo diferencial ... | •Differentialspär | See group 468, Page 483 | |
| 21 | | 1 | | | NS | •Part Plate | •Matricule Art | •Typenschild | •Chapa Identific | •Artikelskylt | | |
| 22 | VOE 950891 | 2 | | | | •Drive Screw | •Vis Commande | •Durchsetzschr | •Tornillo Motriz | •Drivskruv | | |
| 23 | VOE 949544 | 15 | | | | •Allen Hd Screw | •Vis A 6 Pans Cr | •Inbusschraube | •Torn Hex Embut | •Insexskruv | | |
| 24 | | 1 | | | | •Parking brake | •Frein parking | •Feststellbremse | •Freio estacion | •Parkeringsbroms | See group 551, Page 519 | |
| 25 | | 1 | | | | •Diff Carrier | •Reducteur Cent | •Ausgl.getriebe | •Grupo Conico | •Centrumväxel | See group 461, Page 469 | |
| 26 | VOE 11168108 | 1 | | | | •Drive Shaft | •Arbre transmission | •Antriebswelle | •Arbol de cde | •Drivaxel | LH | |
| 27 | VOE 11168109 | 1 | | | | •Drive Shaft | •Arbre transmission | •Antriebswelle | •Arbol de cde | •Drivaxel | RH, AX - 10215 | |
| | VOE 11168136 | 1 | | | | •Drive Shaft | •Arbre transmission | •Antriebswelle | •Arbol de cde | •Drivaxel | RH, 10216 - | |
| 28 | | | | | | •Hub reduction | •Reducteur moyeu | •Nabenvorgelege | •Reduccioncubo | •Navreduktion | See group 461, Page 473 | |

| | | | | |
|----------|--|-------------------------------|-----------------------|------------|
| 1 | | Planetaxel, fram | Catalogue id | Group |
| 2 | | Eje planeta, delantera | 20007 | 461 |
| 3 | | Planetenwelle, vorne | Illustr. No | Section |
| 4 | | Axe satellite, AV | 1002745 | 100 |
| 5 | | Planetary axle, front | Issue | Page |
| | | AWB 25 | VOE 63D9920007 | 465 |



Volvo Construction
Equipment
1002745

| Fig. | Part No. | Quantity | | | P S | K I T | Description | Dénomination | Bezeichnung | Denominación | Benämning | Notes |
|------|----------|----------|---|---|--------|-------------|-------------|--------------|-------------|--------------|-----------|-------|
| | | 1 | 2 | 3 | | | | | | | | |

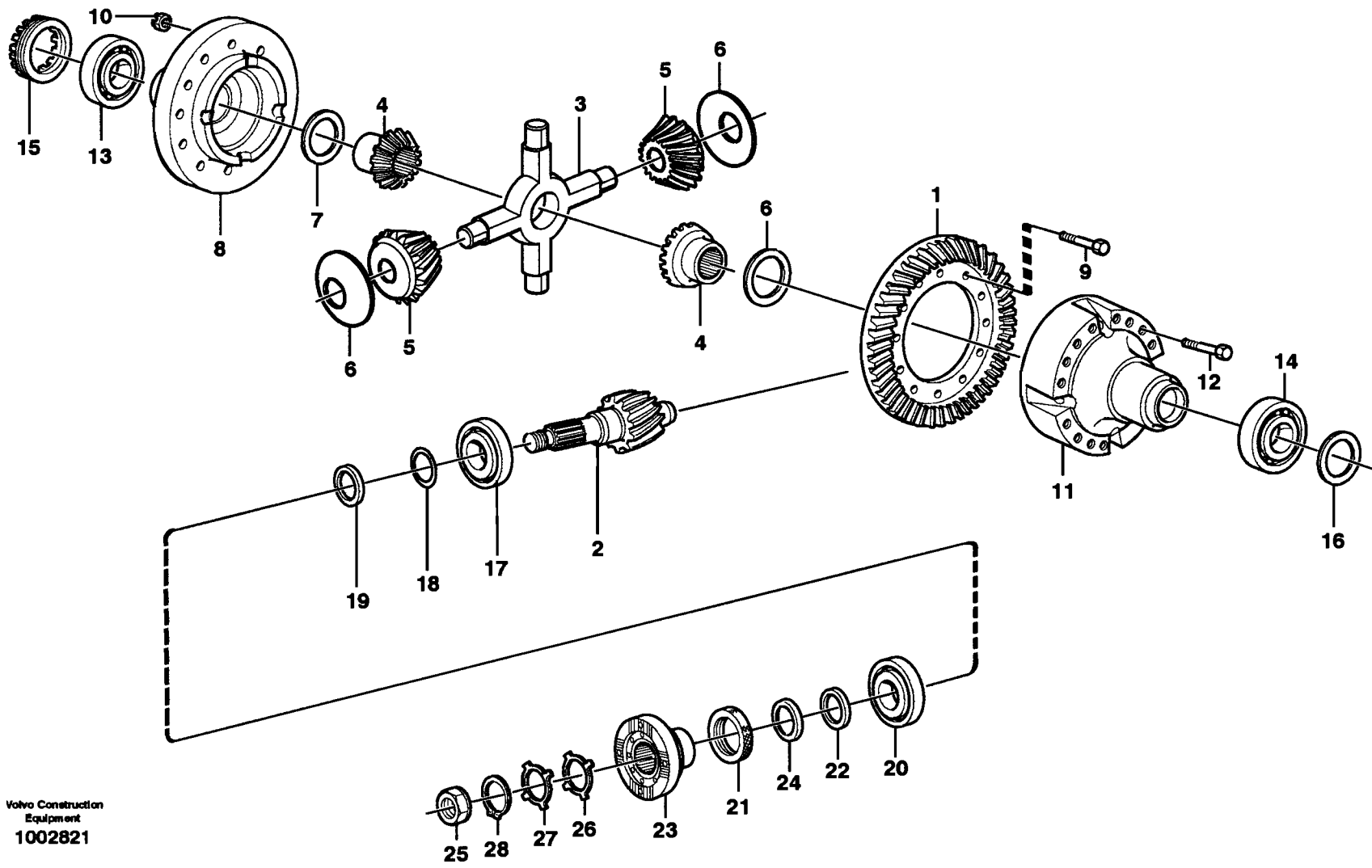
29

•Multidisc brake.....•Frein multidisq•Scheibenbremse.....•Disco frenos•Lamellbroms..... See group 516, Page 499

| | | | | |
|---|--|------------------------|-----------------------|------------|
| 1 | | Planetaxel, fram | Catalogue id | Group |
| 2 | | Eje planeta, delantera | 20007 | 461 |
| 3 | | Planetenwelle, vorne | Illustr. No | Section |
| 4 | | Axe satellite, AV | 1002745 | 100 |
| 5 | | Planetary axle, front | Issue | Page |
| | | AWB 25 | VOE 63D9920007 | 467 |

VOLVO

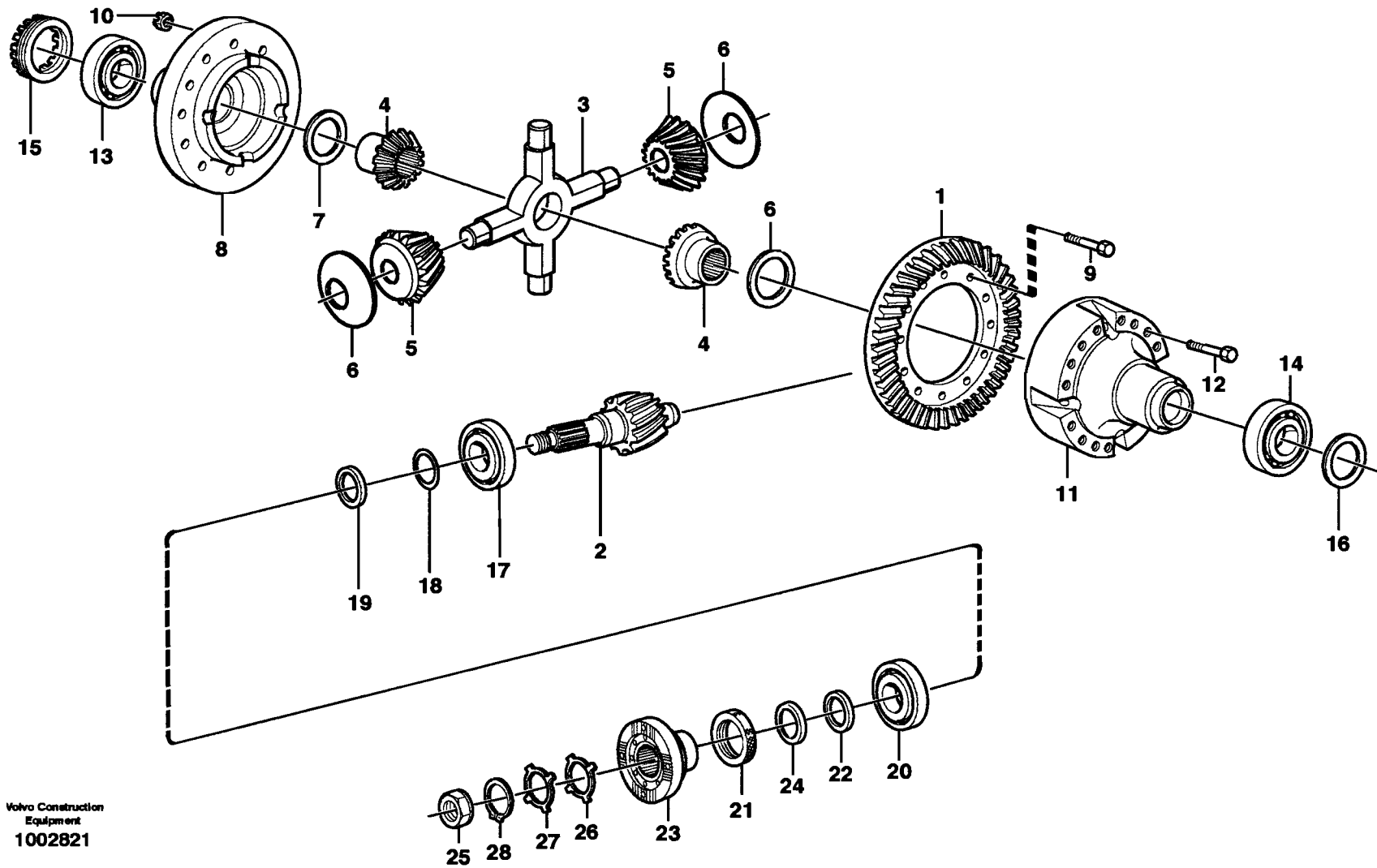
L90E



Volvo Construction
Equipment
1002821

| Fig. | Part No. | Quantity | | | P S | K I T | Description | Dénomination | Bezeichnung | Denominación | Benämning | Notes |
|------|--------------|----------|---|---|--------|-------------------|----------------------|----------------------|---------------------|------------------|-----------------|-------|
| | | 1 | 2 | 3 | | | | | | | | |
| | VOE 23919 | 1 | | | | Planet Shaft | Axe Satellite | Planetenwelle | Eje Planeta | Planetaxel | | |
| | VOE 11168100 | 1 | | | | •Drive Gear Set | •Kit Pignon | •Triebatz | •Juego Pinon | •Drevsats | | |
| 1 | | 1 | | | NS | ••Crown wheel | ••Roue couronne | ••Kronrad | ••Corona dentada | ••Kronhjul | | |
| 2 | | 1 | | | NS | ••Drive pinion | ••Pignon | ••Ritzel | ••Pinon | ••Pinjong | | |
| 3 | VOE 11102623 | 1 | | | | •Spider | •Croisillon | •Achsstern | •Cruceta | •Axelkors | | |
| | VOE 11103110 | 1 | | | | •Diff Gear Kit | •Jeu Pign. Diff. | •Ausgl.keg.satz | •Kit Engran Dif | •Diff.drevsats | | |
| 4 | VOE 1069849 | 2 | | | | ••Diff. Side Gear | ••Pignon Differe | ••Aisgl Stirrad | ••Engran Diferenc | ••Diff.hjul | | |
| 5 | VOE 1524587 | 4 | | | | ••Diff. Side Gear | ••Pignon Differe | ••Aisgl Stirrad | ••Engran Diferenc | ••Diff.hjul | | |
| 6 | VOE 11102049 | 4 | | | | •Thrust Washer | •Rondelle Butee | •Druckscheibe | •Arandela Presio | •Tryckbricka | | |
| 7 | VOE 11102146 | 2 | | | | •Thrust Washer | •Rondelle Butee | •Druckscheibe | •Arandela Presio | •Tryckbricka | | |
| 8 | VOE 11168105 | 1 | | | | •Diff Housing | •Carter differentiel | •Differentialgehäuse | •Carter diferencial | •Differentialhus | | |
| 9 | VOE 11168106 | 14 | | | | •Screw | •Vis | •Schraube | •Tornillo | •Skruv | | |
| 10 | VOE 13946008 | 14 | | | | •Lock nut | •Contre-ecrou | •Sicherungsmutter | •Contratuerca | •Låsmutter | | |
| 11 | VOE 11168104 | 1 | | | | •Diff Housing | •Carter differentiel | •Differentialgehäuse | •Carter diferencial | •Differentialhus | AX - 10215 | |
| | VOE 11168134 | 1 | | | | •Diff Housing | •Carter differentiel | •Differentialgehäuse | •Carter diferencial | •Differentialhus | AX 10216 - | |
| 12 | VOE 11168106 | 14 | | | | •Screw | •Vis | •Schraube | •Tornillo | •Skruv | | |
| 13 | VOE 183704 | 1 | | | | •Roller Bearing | •Roulement rouleaux | •Rollenlager | •Cojinet Rodillo | •Rullager | | |
| 14 | VOE 184637 | 1 | | | | •Roller Bearing | •Roulement rouleaux | •Rollenlager | •Cojinet Rodillo | •Rullager | | |
| 15 | VOE 11168063 | REQ | | | | •Shim | •Cale Reglage | •Nachstellblech | •Cuna de calzar | •Justerbleck | THICK=1,0 MM | |
| | VOE 11168064 | REQ | | | | •Shim | •Cale Reglage | •Nachstellblech | •Cuna de calzar | •Justerbleck | THICK=0,35 MM | |
| | VOE 11168065 | REQ | | | | •Shim | •Cale Reglage | •Nachstellblech | •Cuna de calzar | •Justerbleck | THICK=0,10 MM | |
| 16 | VOE 11168060 | REQ | | | | •Shim | •Cale Reglage | •Nachstellblech | •Cuna de calzar | •Justerbleck | THICK=1,0 MM | |
| | VOE 11168061 | REQ | | | | •Shim | •Cale Reglage | •Nachstellblech | •Cuna de calzar | •Justerbleck | THICK=0,35 MM | |
| | VOE 11168062 | REQ | | | | •Shim | •Cale Reglage | •Nachstellblech | •Cuna de calzar | •Justerbleck | THICK=0,10 MM | |
| 17 | VOE 11035994 | 2 | | | | •Roller Bearing | •Roulement rouleaux | •Rollenlager | •Cojinet Rodillo | •Rullager | | |
| 18 | VOE 11034695 | REQ | | | | •Shim | •Cale Reglage | •Nachstellblech | •Cuna de calzar | •Justerbleck | THICK = 1,0 MM | |
| | VOE 11034696 | REQ | | | | •Shim | •Cale Reglage | •Nachstellblech | •Cuna de calzar | •Justerbleck | THICK = 0,35 MM | |
| | VOE 11034697 | REQ | | | | •Shim | •Cale Reglage | •Nachstellblech | •Cuna de calzar | •Justerbleck | THICK = 0,10 MM | |
| 19 | VOE 11034828 | REQ | | | | •Spacer Ring | •Bagu.entretoise | •Abstandring | •Anillo Dist | •Distansring | THICK = 2,82 MM | |
| | VOE 11034829 | REQ | | | | •Spacer Ring | •Bagu.entretoise | •Abstandring | •Anillo Dist | •Distansring | THICK = 2,85 MM | |

| | | | | |
|---|-------|---|----------------|------------|
| 1 | 23919 | Centrumväxel Grupo conico Ausgleichgetriebe Reducteur central Final drive AWB 25 | Catalogue id | Group |
| 2 | | | 20007 | 461 |
| 3 | | | Illustr. No | Section |
| 4 | | | 1002821 | 150 |
| 5 | | | Issue | Page |
| | | | VOE 63D9920007 | 469 |



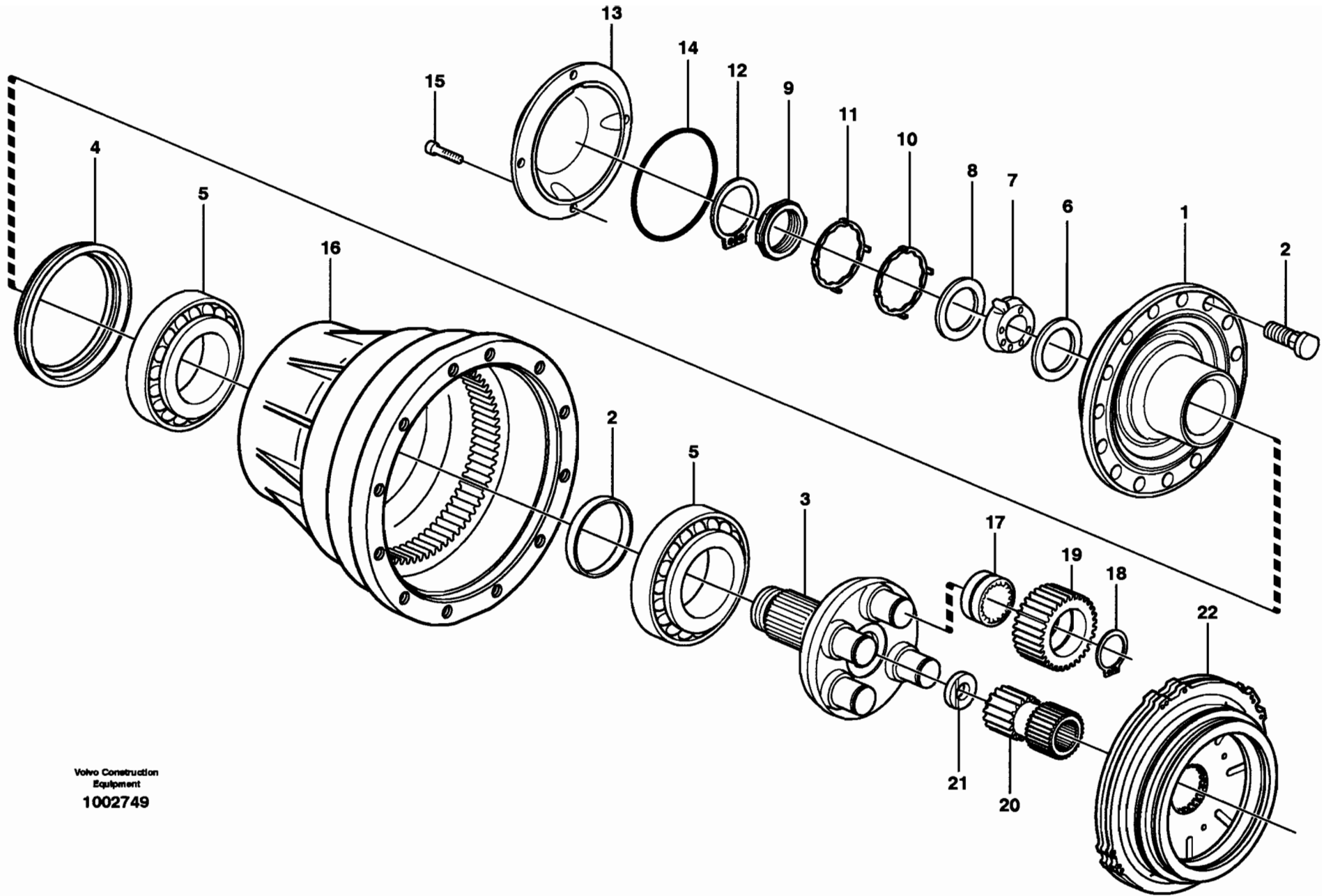
Volvo Construction
Equipment
1002821

| Fig. | Part No. | Quantity | | | P S | K T | Description | Dénomination | Bezeichnung | Denominación | Benämning | Notes |
|------|--------------|----------|---|---|--------|--------|-----------------------|-------------------------|------------------------|------------------------|--------------------|-----------------|
| | | 1 | 2 | 3 | | | | | | | | |
| | VOE 11034830 | REQ | | | | | •Spacer Ring | •Bagu.entretoise | •Abstandring | •Anillo Dist | •Distansring..... | THICK = 2,91 MM |
| | VOE 11034831 | REQ | | | | | •Spacer Ring | •Bagu.entretoise | •Abstandring | •Anillo Dist | •Distansring..... | THICK = 3,06 MM |
| | VOE 4870247 | REQ | | | | | •Spacer Ring | •Bagu.entretoise | •Abstandring | •Anillo Dist | •Distansring..... | THICK = 3,21 MM |
| | VOE 4870248 | REQ | | | | | •Spacer Ring | •Bagu.entretoise | •Abstandring | •Anillo Dist | •Distansring..... | THICK = 3,36 MM |
| | VOE 4870249 | REQ | | | | | •Spacer Ring | •Bagu.entretoise | •Abstandring | •Anillo Dist | •Distansring..... | THICK = 3,39 MM |
| | VOE 4870250 | REQ | | | | | •Spacer Ring | •Bagu.entretoise | •Abstandring | •Anillo Dist | •Distansring..... | THICK = 3,42 MM |
| 20 | VOE 184660 | | 1 | | | | •Roller Bearing | •Roulement rouleaux.. | •Rollenlager..... | •Cojinet Rodillo..... | •Rullager..... | |
| 21 | VOE 4717576 | | 1 | | | | •Sealing ring..... | •Bague d'étanchéité ... | •Runddichtring..... | •Anillo reten | •Tätningsring..... | |
| 22 | VOE 943142 | | 1 | | | | •Sealing ring..... | •Bague d'étanchéité ... | •Runddichtring..... | •Anillo reten | •Tätningsring..... | |
| 23 | VOE 11168056 | | 1 | | | | •Comp Flange | •Flasque Entrai..... | •Antriebsflansch | •Brida..... | •Medbringare..... | |
| 24 | VOE 11168081 | | 1 | | | | •Dust Cover | •Pare-poussiere | •Staubschutz..... | •Prot Polvo | •Dammskydd..... | |
| 25 | VOE 4717504 | | 1 | | | | •Nut | •Ecrou | •Mutter..... | •Tuerca..... | •Mutter..... | |
| 26 | VOE 382779 | REQ | | | | | •Lock Washer..... | •Rondel.verroui. | •Sicher Scheibe..... | •Arandel Segurid | •Låsbricka..... | 0 DEG |
| 27 | VOE 383992 | REQ | | | | | •Lock Washer..... | •Rondel.verroui. | •Sicher Scheibe..... | •Arandel Segurid | •Låsbricka..... | 7,5 DEG |
| 28 | VOE 914480 | | 1 | | | | •Snap Ring..... | •Circlip..... | •Nutting | •Circlip | •Spärring..... | |

| | | | | |
|---|-------|---|----------------|---------|
| 1 | 23919 | Centrumväxel Grupo conico Ausgleichgetriebe Reducteur central Final drive AWB 25 | Catalogue id | Group |
| 2 | | | 20007 | 461 |
| 3 | | | Illustr. No | Section |
| 4 | | | 1002821 | 150 |
| 5 | | | Issue | Page |
| | | | VOE 63D9920007 | 471 |

VOLVO

L90E



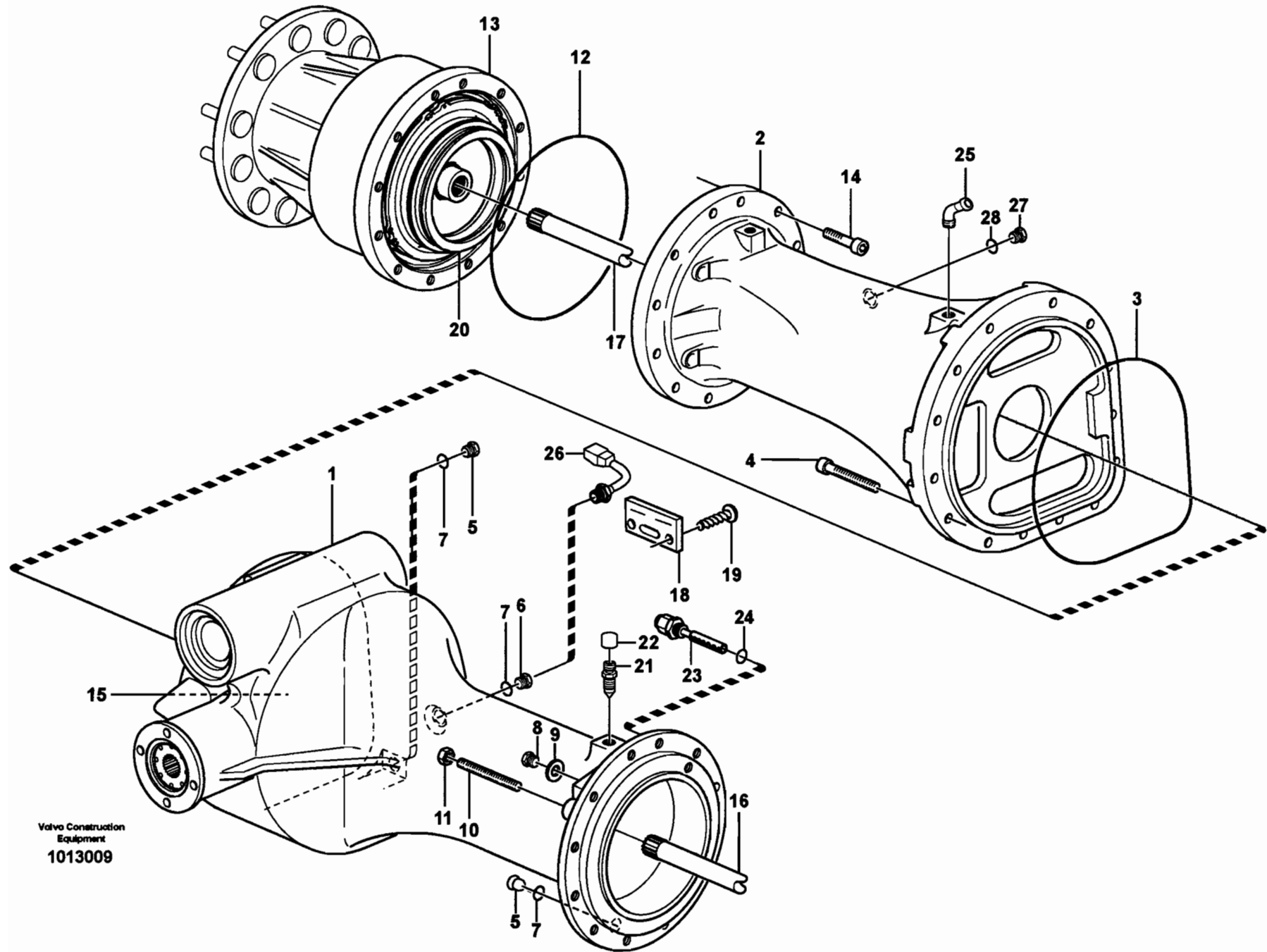
Volvo Construction
Equipment
1002749

| Fig. | Part No. | Quantity | | | | | P S | K T | Description | Dénomination | Bezeichnung | Denominación | Benämning | Notes |
|------|--------------|----------|---|---|---|---|--------|-----------------------|------------------------|-----------------------|------------------------|---------------------|-------------------------|-------|
| | | 1 | 2 | 3 | 4 | 5 | | | | | | | | |
| | VOE 23919 | 1 | | | | | | Planet Shaft | Axe Satellite | Planetenwelle | Eje Planeta | Planetaxel..... | | |
| 1 | VOE 11168143 | 2 | | | | | | •Hub | •Bossage | •Nabe | •Asiento | •Nav..... | | |
| 2 | VOE 11102585 | 32 | | | | | | ••Wheel Stud..... | ••Boulon De Roue .. | ••Radbolzen | ••Perno Rueda..... | ••Hjulbult..... | | |
| 3 | VOE 11168007 | 2 | | | | | | •Planet Carrier | •Porte-satellite | •Planetenträger | •Portasatelites | •Planethållare..... | | |
| 4 | VOE 11102861 | 2 | | | | | | •Sealing ring | •Bague d'étanchéité .. | •Runddichtring | •Anillo reten | •Tättningsring..... | | |
| 5 | VOE 184838 | 4 | | | | | | •Roller Bearing..... | •Roulement roulea.. | •Rollenlager | •Cojinet Rodillo | •Rullager..... | | |
| 6 | VOE 11034514 | REQ | | | | | | •Shim | •Cale Reglage | •Nachstellblech | •Cuna de calzar | •Justerbleck..... | THICK =0,20 MM | |
| | VOE 11034513 | REQ | | | | | | •Shim | •Cale Reglage | •Nachstellblech | •Cuna de calzar | •Justerbleck..... | THICK =0,25 MM | |
| | VOE 11034512 | REQ | | | | | | •Shim | •Cale Reglage | •Nachstellblech | •Cuna de calzar | •Justerbleck..... | THICK =0,35 MM | |
| | VOE 11102823 | REQ | | | | | | •Shim | •Cale Reglage | •Nachstellblech | •Cuna de calzar | •Justerbleck..... | THICK =1,00 MM | |
| 7 | VOE 11034507 | 2 | | | | | | •Washer | •Rondelle | •Scheibe..... | •Arandela..... | •Bricka..... | | |
| 8 | VOE 1523317 | 2 | | | | | | •Washer | •Rondelle | •Scheibe..... | •Arandela..... | •Bricka..... | | |
| 9 | VOE 1522293 | 2 | | | | | | •Nut..... | •Ecrou..... | •Mutter | •Tuerca | •Mutter..... | | |
| 10 | VOE 1523318 | REQ | | | | | | •Lock Washer | •Rondel.verroui..... | •Sicher Scheibe | •Arandel Segurid | •Låsbricka..... | 0 DEG | |
| 11 | VOE 1523319 | REQ | | | | | | •Lock Washer | •Rondel.verroui..... | •Sicher Scheibe | •Arandel Segurid | •Låsbricka..... | 7,5 DEG | |
| 12 | VOE 914484 | 2 | | | | | | •Snap Ring..... | •Circlip | •Nutring | •Circlip | •Spårring..... | | |
| 13 | VOE 11102336 | 2 | | | | | | •Cap..... | •Chapeau | •Kappe | •Caperuza..... | •Lock..... | | |
| 14 | VOE 13946442 | 2 | | | | | | •O-ring | •Joint Torique | •O-Ring | •Junta torica..... | •O-ring..... | | |
| 15 | VOE 967634 | 8 | | | | | | •Screw | •Vis | •Schraube | •Tornillo | •Skruv..... | | |
| 16 | VOE 11168041 | 2 | | | | | | •Hub Retainer | •Porte-moyeu | •Nabenhalter | •Reten Cubo..... | •Navhållare..... | | |
| 17 | VOE 11035001 | 6 | | | | | | •Bearing | •Palier..... | •Lager | •Cojinete | •Lager..... | | |
| 18 | VOE 914474 | 6 | | | | | | •Snap Ring..... | •Circlip | •Nutring | •Circlip | •Spårring..... | | |
| 19 | VOE 11035819 | 6 | | | | | | •Planet Gear | •Planetaire | •Planetenrad | •Planetario | •Planethjul..... | | |
| 20 | VOE 11168079 | 2 | | | | | | •Sun Gear | •Engrenage planet.. | •Sonnenrad | •Engranaje planeta .. | •Solhjul..... | | |
| 21 | VOE 11035554 | 2 | | | | | | •Washer | •Rondelle..... | •Scheibe..... | •Arandela..... | •Bricka..... | | |
| 22 | | 2 | | | | | | Brake Plate | Plaque Frein..... | Bremsplatte..... | Placa De Freno | Bromsplatta..... | See group 516, Page 499 | |

| | | | | |
|---|-------|--|-------------------------------|-------------------------|
| 1 | 23919 | Planethållare, främre. Puente motor, delantero Planetengetriebe, Vordere Pont moteur, Av Planetary axle, Front AWB 25 | Catalogue id 20007 | Group 461 |
| 2 | | | Illustr. No 1002749 | Section 200 |
| 3 | | | | Issue VOE 63D9920007 |
| 4 | | | | |
| 5 | | | | |

VOLVO

L90E



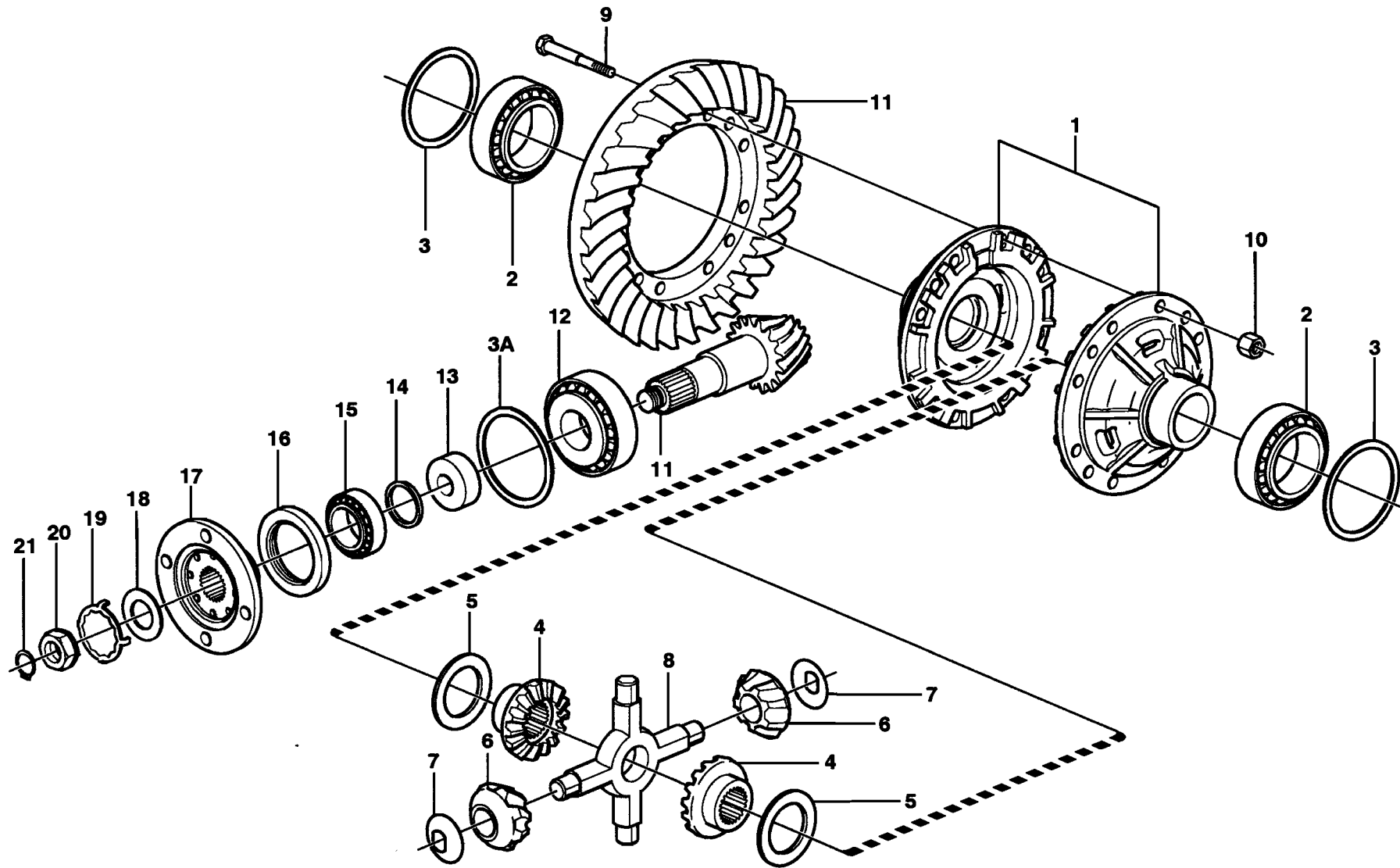
Valve Construction
Equipment
1013009

| Fig. | Part No. | Quantity | | | P S | K I T | Description | Dénomination | Bezeichnung | Denominación | Benämning | Notes |
|------|--------------|----------|---|---|--------|-------------|------------------|---------------------|--------------------|-----------------------|-----------------|-------------------------|
| | | 1 | 2 | 3 | | | | | | | | |
| | VOE 23920 | 1 | | | | | Planet Shaft | Axe Satellite | Planetenwelle | Eje Planeta | Planetaxel | AWB 20 |
| 1 | VOE 11168140 | 1 | | | | | •Axle Casing | •Boite Essieu | •Achsgehäuse | •Carter Eje | •Axelkåpa | LH |
| 2 | VOE 11168139 | 1 | | | | | •Axle Casing | •Boite Essieu | •Achsgehäuse | •Carter Eje | •Axelkåpa | RH |
| 3 | VOE 11035031 | 1 | | | | | •O-ring | •Joint Torique | •O-Ring | •Junta torica | •O-ring | |
| 4 | VOE 949544 | 20 | | | | | •Allen Hd Screw | •Vis A 6 Pans Cr | •Inbusschraube | •Torn Hex Embut | •Insexskruv | |
| 5 | VOE 11102187 | 4 | | | | | •Magnetic Plug | •Bouchon Magnet | •Magnetstopfen | •Tapon Magnetico | •Magnetpropp | |
| 6 | VOE 11034156 | 2 | | | | | •Plug | •Bouchon | •Stopfen | •Tapon | •Plugg | |
| 7 | VOE 958228 | 6 | | | | | •O-ring | •Joint Torique | •O-Ring | •Junta torica | •O-ring | |
| 8 | VOE 960630 | 2 | | | | | •Lock Plug | •Tampon Verroui | •Verschlusschraube | •Tapon Seguridad | •Låsplugg | |
| 9 | VOE 976929 | 2 | | | | | •Gasket | •Joint | •Dichtung | •Junta | •Packning | |
| 10 | VOE 11035586 | 4 | | | | | •Screw | •Vis | •Schraube | •Tornillo | •Skruv | |
| 11 | VOE 955802 | 4 | | | | | •Hexagon Nut | •Ecrou Hexagonal | •Sechskantmutter | •Tuerca Hexagon | •Sexkantmutter | |
| 12 | VOE 11035032 | 2 | | | | | •O-ring | •Joint Torique | •O-Ring | •Junta torica | •O-ring | |
| 13 | | 2 | | | | | •Planet carrier | •Porte-satellite | •Planetenträger | •Portasatelites | •Planethållare | See group 463, Page 481 |
| 14 | VOE 13968816 | 24 | | | | | •Allen Hd Screw | •Vis A 6 Pans Cr | •Inbusschraube | •Torn Hex Embut | •Insexskruv | |
| 15 | | 1 | | | | | •Diff Carrier | •Reducteur Cent | •Ausgl.getriebe | •Grupo Conico | •Centrumväxel | See group 463, Page 477 |
| 16 | VOE 11168043 | 1 | | | | | •Axle Shaft | •Arbre Commande | •Antriebswelle | •Eje Propulsor | •Drivaxel | LH |
| 17 | VOE 11168044 | 1 | | | | | •Axle Shaft | •Arbre Commande | •Antriebswelle | •Eje Propulsor | •Drivaxel | RH |
| 18 | | 1 | | | NS | | •Part Plate | •Matricule Art | •Typenschild | •Chapa Identific | •Artikelskylt | |
| 19 | VOE 950891 | 2 | | | | | •Drive Screw | •Vis Commande | •Durchsetzschr | •Tornillo Motriz | •Drivskruv | |
| 20 | | 2 | | | | | •Multidisc brake | •Frein multidisq | •Scheibenbremse | •Disco frenos | •Lamellbroms | |
| 21 | VOE 4871469 | 2 | | | | | •Air Vent Valve | •Robinet Purge | •Entluft Vent | •Valvula Purga | •Avluftn.ventil | |
| 22 | VOE 11034256 | 2 | | | | | •Protective cap | •Capuchon de protec | •Schutzkappe | •Cubierta de protecci | •Skyddshatt | |
| 23 | VOE 11102447 | 2 | | | | | •Wear Indicator | •Indicat.d'usure | •Versch.anzeiger | •Indicador Desga | •Slit.indikator | |
| 24 | VOE 976970 | 1 | | | | | O-ring | Joint Torique | O-Ring | Junta torica | O-ring | |
| 25 | VOE 942337 | 1 | | | | | Nipple | Raccord | Nippel | Niple | Nippel | |
| 26 | VOE 11039193 | 1 | | | | | Temp Sensor | Detecteur Temp | Temperaturgeber | Sensor Temperat | Temp Givare | SE411 |
| 27 | VOE 13960632 | 2 | | | | | Plug | Bouchon | Stopfen | Tapon | Plugg | |
| 28 | VOE 13947624 | 2 | | | | | Plane Gasket | Joint Plan | Flachdichtung | Junta Plana | Planpackning | |

| | | | | |
|---|-------|------------------------|----------------|---------|
| 1 | 23920 | Planetaxel, bak | Catalogue id | Group |
| 2 | | Eje propulsor, trasero | 20007 | 463 |
| 3 | | Planetenwelle, hintere | Illustr. No | Section |
| 4 | | Essieu moteur, arrière | 1013009 | 100 |
| 5 | | Planet shaft, rear | Issue | Page |
| | | AWB 20 | VOE 63D9920007 | 475 |

VOLVO

L90E



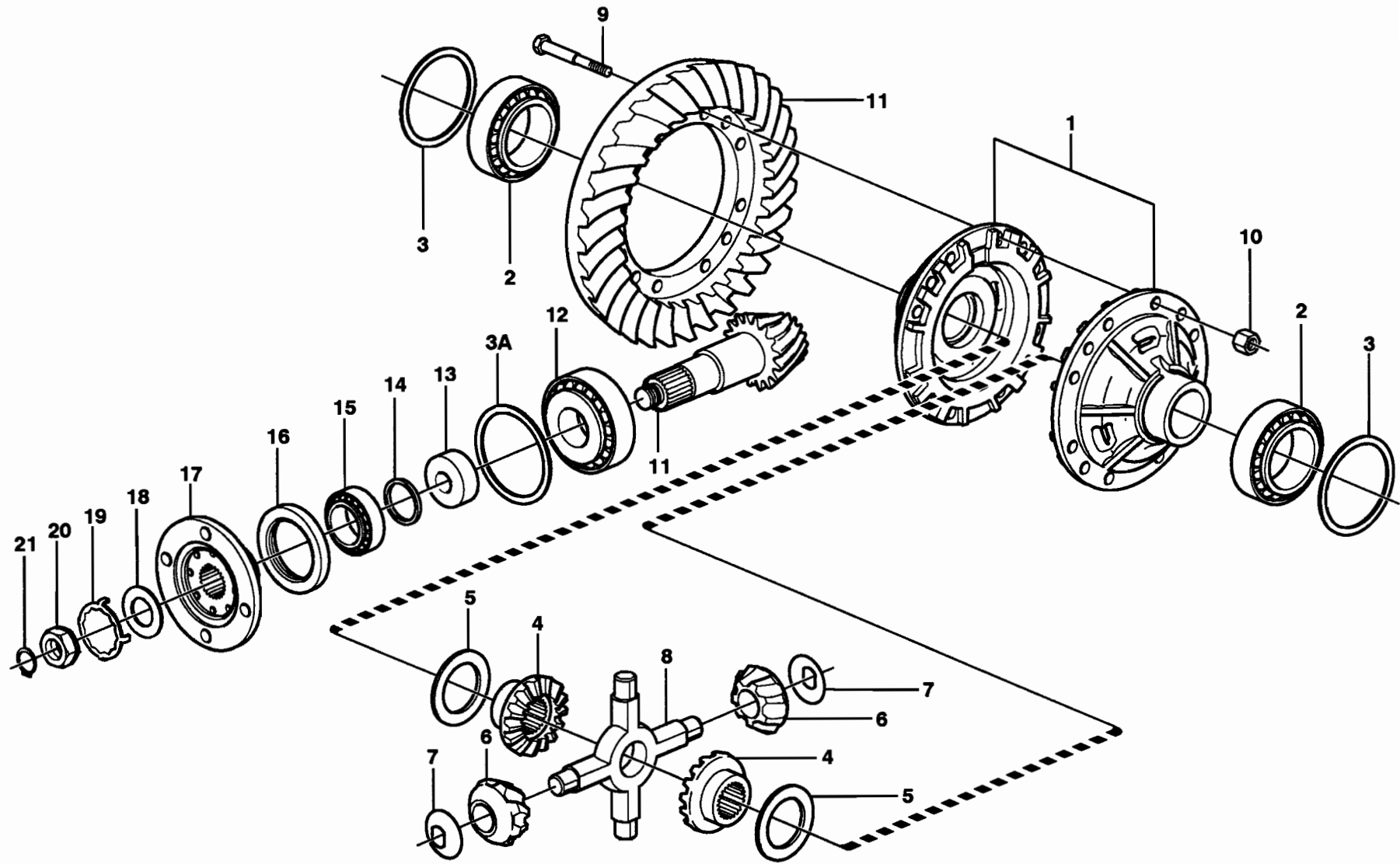
Volvo Construction
 Equipment
 1003731

| Fig. | Part No. | Quantity | | | P S | K I T | Description | Dénomination | Bezeichnung | Denominación | Benämning | Notes |
|------|--------------|----------|---|---|--------|-------------|------------------|---------------------|-----------------|------------------|------------------|--------------|
| | | 1 | 2 | 3 | | | | | | | | |
| | VOE 23920 | 1 | | | | | Planet Shaft | Axe Satellite | Planetenwelle | Eje Planeta | Planetaxel | |
| 1 | VOE 11168088 | 2 | | | | | •Diff Housing | •Boitier Differ | •Ausgl Getrgeh | •Carter Dif | •Differentialhus | |
| 2 | VOE 184688 | 2 | | | | | •Roller Bearing | •Roulement rouleaux | •Rollenlager | •Cojinet Rodillo | •Rullager | |
| 3A | VOE 11168057 | REQ | | | | | •Shim | •Cale Reglage | •Nachstellblech | •Laminill Ajuste | •Justerbleck | THICK=1,00MM |
| | VOE 11168058 | REQ | | | | | •Shim | •Cale Reglage | •Nachstellblech | •Laminill Ajuste | •Justerbleck | THICK=0,35MM |
| | VOE 11168059 | REQ | | | | | •Shim | •Cale Reglage | •Nachstellblech | •Laminill Ajuste | •Justerbleck | THICK=0,10MM |
| 3 | VOE 11034319 | REQ | | | | | •Shim | •Cale Reglage | •Nachstellblech | •Cuna de calzar | •Justerbleck | |
| | VOE 11034320 | REQ | | | | | •Shim | •Cale Reglage | •Nachstellblech | •Cuna de calzar | •Justerbleck | |
| | VOE 11034321 | REQ | | | | | •Shim | •Cale Reglage | •Nachstellblech | •Cuna de calzar | •Justerbleck | |
| 4 | VOE 11035625 | 2 | | | | | •Diff. Side Gear | •Pignon Differe | •Aisgl Stirnrad | •Engran Diferenc | •Diff.hjul | |
| 5 | VOE 11035311 | 2 | | | | | •Thrust Washer | •Rondelle Butee | •Druckscheibe | •Arandela Presio | •Tryckbricka | |
| 6 | VOE 11102845 | 4 | | | | | •Diff. Side Gear | •Pignon Differe | •Aisgl Stirnrad | •Engran Diferenc | •Diff.hjul | |
| 7 | VOE 11102856 | 4 | | | | | •Thrust Washer | •Rondelle Butee | •Druckscheibe | •Arandela Presio | •Tryckbricka | |
| 8 | VOE 11102846 | 1 | | | | | •Spider | •Croisillon | •Achsstern | •Cruceta | •Axelkors | |
| 9 | VOE 11035998 | 12 | | | | | •Screw | •Vis | •Schraube | •Tomillo | •Skruv | |
| 10 | VOE 11035850 | 12 | | | | | •Nut | •Ecrou | •Mutter | •Tuerca | •Mutter | |
| 11 | VOE 11168084 | 1 | | | | | •Drive Gear Set | •Kit Pignon | •Triebsatz | •Juego Pinon | •Drevsats | |
| | | 1 | | | NS | | ••Drive pinion | ••Pignon | ••Ritzel | ••Pinon | ••Pinjong | |
| | | 1 | | | NS | | ••Crown wheel | ••Roue couronne | ••Kronrad | ••Corona dentada | ••Kronhjul | |
| 12 | VOE 184660 | 2 | | | | | •Roller Bearing | •Roulement rouleaux | •Rollenlager | •Cojinet Rodillo | •Rullager | |
| 13 | VOE 11168042 | 1 | | | | | •Spacer Sleeve | •Doui.entretoise | •Distanzhülse | •Manguito Dist | •Distanshylsa | |
| 14 | VOE 11034828 | REQ | | | | | •Spacer Ring | •Bagu.entretoise | •Abstandring | •Anillo Dist | •Distansring | THICK=2,82MM |
| | VOE 11034829 | REQ | | | | | •Spacer Ring | •Bagu.entretoise | •Abstandring | •Anillo Dist | •Distansring | THICK=2,85MM |
| | VOE 11034830 | REQ | | | | | •Spacer Ring | •Bagu.entretoise | •Abstandring | •Anillo Dist | •Distansring | THICK=2,91MM |
| | VOE 11034831 | REQ | | | | | •Spacer Ring | •Bagu.entretoise | •Abstandring | •Anillo Dist | •Distansring | THICK=3,06MM |
| | VOE 4870247 | REQ | | | | | •Spacer Ring | •Bagu.entretoise | •Abstandring | •Anillo Dist | •Distansring | THICK=3,21MM |
| | VOE 4870248 | REQ | | | | | •Spacer Ring | •Bagu.entretoise | •Abstandring | •Anillo Dist | •Distansring | THICK=3,36MM |
| | VOE 4870249 | REQ | | | | | •Spacer Ring | •Bagu.entretoise | •Abstandring | •Anillo Dist | •Distansring | THICK=3,39MM |
| | VOE 4870250 | REQ | | | | | •Spacer Ring | •Bagu.entretoise | •Abstandring | •Anillo Dist | •Distansring | THICK=3,42MM |
| 15 | VOE 184660 | 1 | | | | | •Roller Bearing | •Roulement rouleaux | •Rollenlager | •Cojinet Rodillo | •Rullager | |

| | | | | |
|---|-------|---|----------------|------------|
| 1 | 23920 | Centrumväxel, bak Engranaje cambio central, trasero Ausgangsgetriebe, rückwärts Commandes finales, AR Final drive, rear AWB 20 | Catalogue id | Group |
| 2 | | | 20007 | 463 |
| 3 | | | Illustr. No | Section |
| 4 | | | 1003731 | 150 |
| 5 | | | Issue | Page |
| | | | VOE 63D9920007 | 477 |

VOLVO

L90E



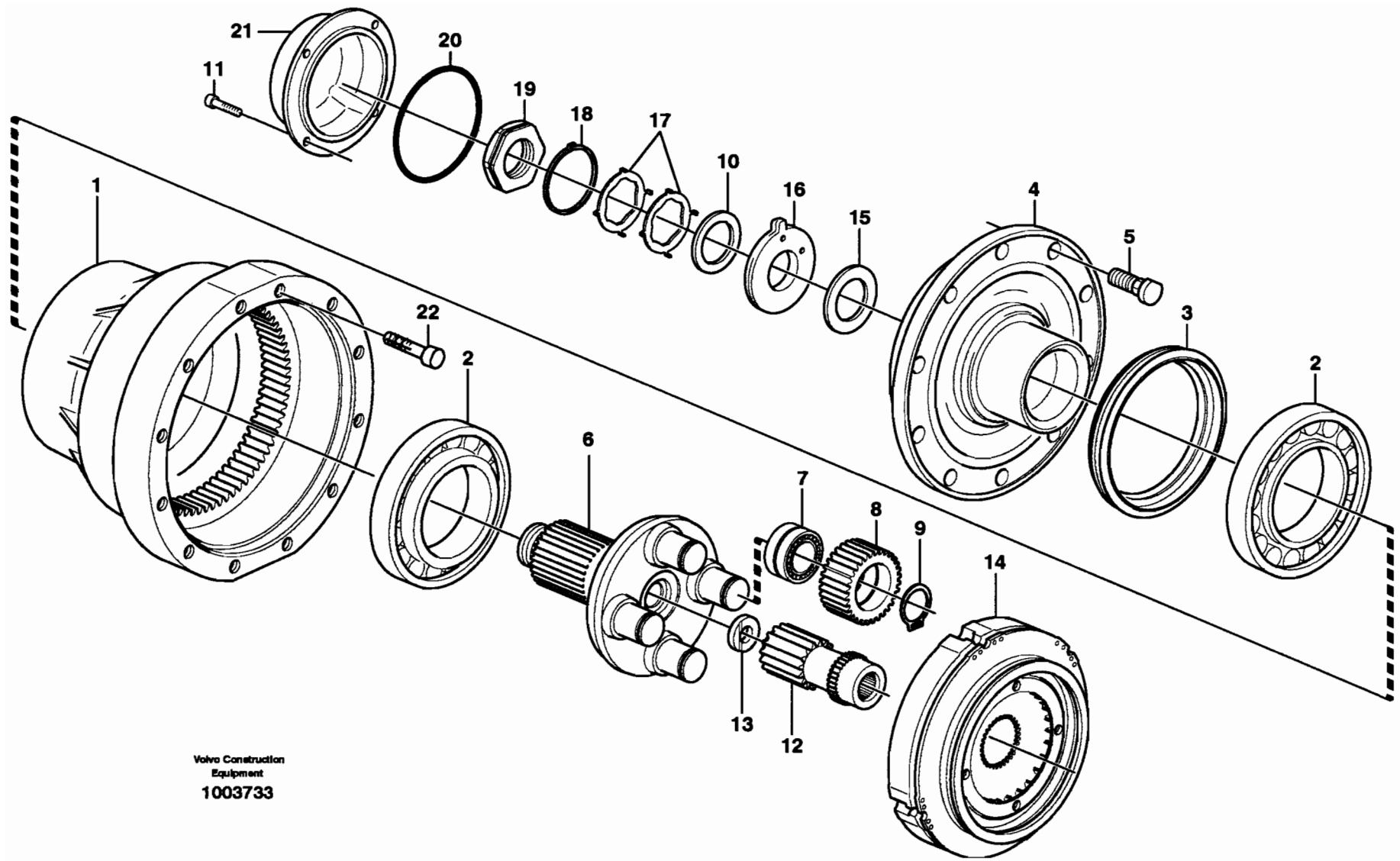
Volvo Construction
Equipment
1003731

| Fig. | Part No. | Quantity | | | P S | K I T | Description | Dénomination | Bezeichnung | Denominación | Benämning | Notes |
|------|--------------|----------|---|---|--------|-------------|--------------------|-------------------------|------------------------|------------------------|--------------------|-------|
| | | 1 | 2 | 3 | | | | | | | | |
| 16 | VOE 4717576 | 1 | | | | | •Sealing ring..... | •Bague d'étanchéité ... | •Runddichtring..... | •Anillo reten | •Tätningsring..... | |
| 17 | VOE 11168030 | 1 | | | | | •Comp Flange | •Flasque Entrai..... | •Antriebsflansch | •Brida..... | •Medbringare..... | |
| 18 | VOE 943142 | 1 | | | | | •Sealing ring..... | •Bague d'étanchéité ... | •Runddichtring..... | •Anillo reten | •Tätningsring..... | |
| 19 | VOE 383992 | 1 | | | | | •Lock Washer..... | •Rondel.verroui. | •Sicher Scheibe..... | •Arandel Segurid | •Låsbricka..... | ALT |
| | VOE 382779 | 1 | | | | | •Lock Washer..... | •Rondel.verroui. | •Sicher Scheibe..... | •Arandel Segurid | •Låsbricka..... | ALT |
| 20 | VOE 4717504 | 1 | | | | | •Nut..... | •Ecrou | •Mutter..... | •Tuerca..... | •Mutter..... | |
| 21 | VOE 914480 | 1 | | | | | •Snap Ring..... | •Circlip..... | •Nutting | •Circlip..... | •Spårring..... | |

| | | | | |
|---|-------|---|----------------|------------|
| 1 | 23920 | Centrumväxel, bak Engranaje cambio central, trasero Ausgangsgetriebe, rückwärts Commandes finales, AR Final drive, rear AWB 20 | Catalogue id | Group |
| 2 | | | 20007 | 463 |
| 3 | | | Illustr. No | Section |
| 4 | | | 1003731 | 150 |
| 5 | | | Issue | Page |
| | | | VOE 63D9920007 | 479 |

VOLVO

L90E

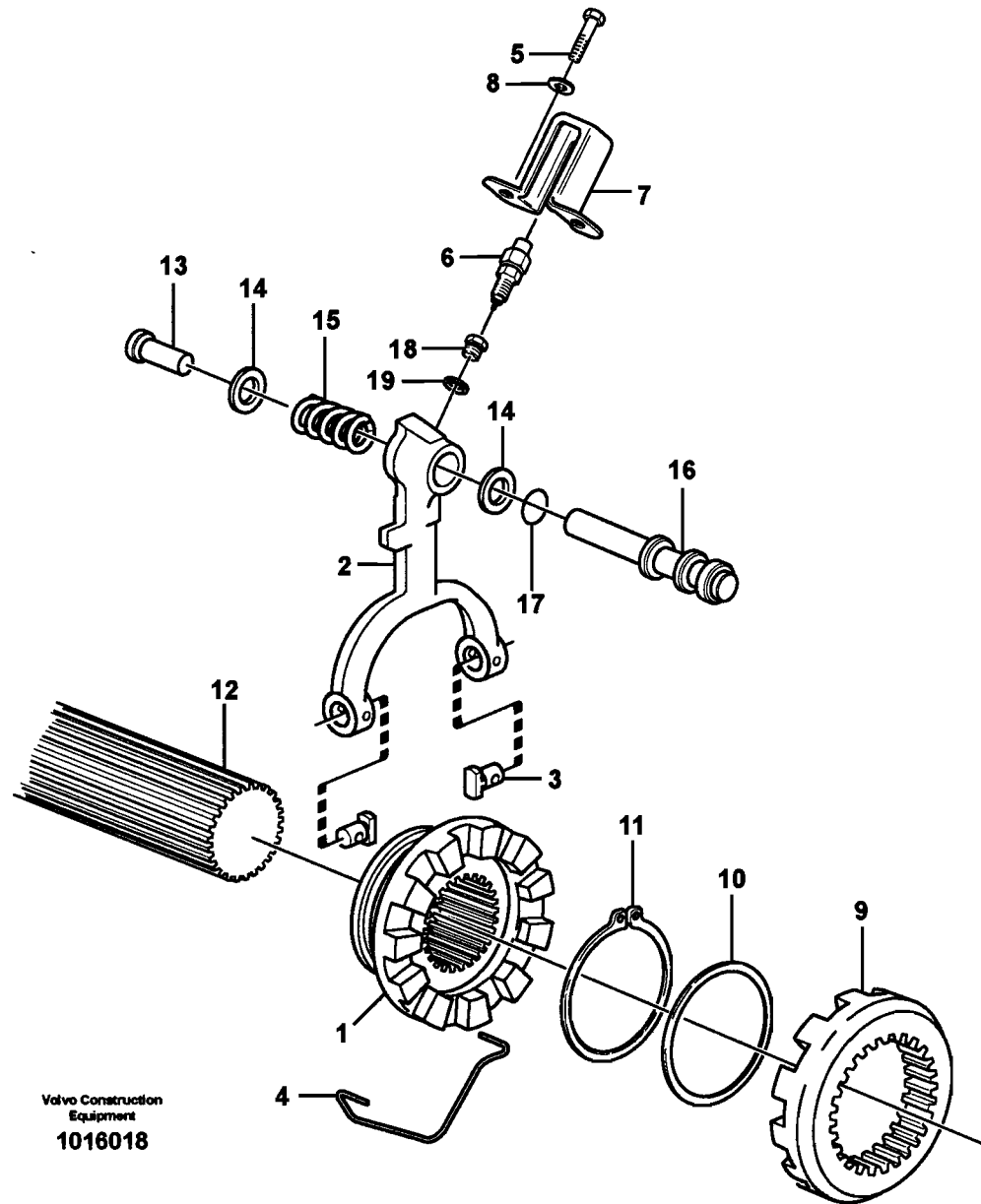


Volvo Construction
 Equipment
 1003733



| Fig. | Part No. | Quantity | | | P S | K I T | Description | Dénomination | Bezeichnung | Denominación | Benämning | Notes |
|------|---------------------|----------|---|---|--------|-------------|------------------------|----------------------------|-----------------------|--------------------------|----------------------|-------------------------|
| | | 1 | 2 | 3 | | | | | | | | |
| | VOE 23920 | 1 | | | | | Planet Shaft | Axe Satellite | Planetenwelle | Eje Planeta | Planetaxel | AWB 20 |
| 1 | VOE 11168141 | 2 | | | | | •Hub Retainer | •Porte-moyeu | •Nabehalter | •Reten Cubo | •Navhållare | |
| 2 | VOE 184838 | 4 | | | | | •Roller Bearing | •Roulement rouleaux | •Rollenlager | •Cojinet Rodillo | •Rullager | |
| 3 | VOE 11102861 | 2 | | | | | •Sealing ring | •Bague d'étanchéité | •Runddichtring | •Anillo reten | •Tätningring | |
| 4 | VOE 11168144 | 2 | | | | | •Hub | •Bossage | •Nabe | •Asiento | •Nav | |
| 5 | VOE 11102586 | 32 | | | | | •Wheel Stud | •Boulon De Roue | •Radbolzen | •Perno Rueda | •Hjulbult | |
| 6 | VOE 11102858 | 2 | | | | | •Planet Carrier | •Porte-satellite | •Planetenträger | •Portasatelites | •Planethållare | |
| 7 | VOE 11035523 | 8 | | | | | •Bearing | •Palier | •Lager | •Cojinete | •Lager | |
| 8 | VOE 11035817 | 8 | | | | | •Planet Gear | •Planétaire | •Planetenrad | •Planetario | •Planethjul | |
| 9 | VOE 914470 | 8 | | | | | •Snap Ring | •Circlip | •Nutting | •Circlip | •Spårring | |
| 10 | VOE 1523317 | 2 | | | | | •Washer | •Rondelle | •Scheibe | •Arandela | •Bricka | |
| 11 | VOE 959236 | 8 | | | | | •Allen Hd Screw | •Vis A 6 Pans Cr | •Inbusschraube | •Torn Hex Embut | •Insexskruv | |
| 12 | VOE 11035816 | 2 | | | | | •Sun Gear | •Engrenage planetair | •Sonnenrad | •Engranaje planeta | •Solhjul | |
| 13 | VOE 11035554 | 2 | | | | | •Washer | •Rondelle | •Scheibe | •Arandela | •Bricka | |
| 14 | | 2 | | | | | •Multidisc brake | •Frein multidisq | •Scheibenbremse | •Disco frenos | •Lamellbroms | See group 517, Page 501 |
| 15 | VOE 11102823 | REQ | | | | | •Shim | •Cale Reglage | •Nachstellblech | •Cuna de calzar | •Justerbleck | THICK=1,0MM |
| | VOE 11034512 | REQ | | | | | •Shim | •Cale Reglage | •Nachstellblech | •Cuna de calzar | •Justerbleck | THICK=0,35MM |
| | VOE 11034513 | REQ | | | | | •Shim | •Cale Reglage | •Nachstellblech | •Cuna de calzar | •Justerbleck | THICK=0,25MM |
| | VOE 11034514 | REQ | | | | | •Shim | •Cale Reglage | •Nachstellblech | •Cuna de calzar | •Justerbleck | THICK=0,20MM |
| 16 | VOE 11034507 | 2 | | | | | •Washer | •Rondelle | •Scheibe | •Arandela | •Bricka | |
| 17 | VOE 1523318 | 2 | | | | | •Lock Washer | •Rondel.verroui | •Sicher Scheibe | •Arandel Segurid | •Låsbricka | ALT |
| | VOE 1523319 | 2 | | | | | •Lock Washer | •Rondel.verroui | •Sicher Scheibe | •Arandel Segurid | •Låsbricka | ALT |
| 18 | VOE 914484 | 2 | | | | | •Snap Ring | •Circlip | •Nutting | •Circlip | •Spårring | |
| 19 | VOE 1522293 | 2 | | | | | •Nut | •Ecrou | •Mutter | •Tuerca | •Mutter | |
| 20 | VOE 13946442 | 2 | | | | | •O-ring | •Joint Torique | •O-Ring | •Junta torica | •O-ring | |
| 21 | VOE 11102336 | 2 | | | | | •Cap | •Chapeau | •Kappe | •Caperuza | •Lock | |
| 22 | VOE 13968816 | 32 | | | | | •Allen Hd Screw | •Vis A 6 Pans Cr | •Inbusschraube | •Torn Hex Embut | •Insexskruv | |

| | | | | |
|---|---------------|--|-----------------------|------------|
| 1 | 23920 | Planethållare, bakre Puente motor, trasero Planetengetriebe, hinten Pont moteur, ar. Planetary axle, rear | Catalogue id | Group |
| 2 | | | 20007 | 463 |
| 3 | | | Illustr. No | Section |
| 4 | | | 1003733 | 250 |
| 5 | | | Issue | Page |
| | AWB 20 | | VOE 63D9920007 | 481 |



Valve Construction
 Equipment
 1016018

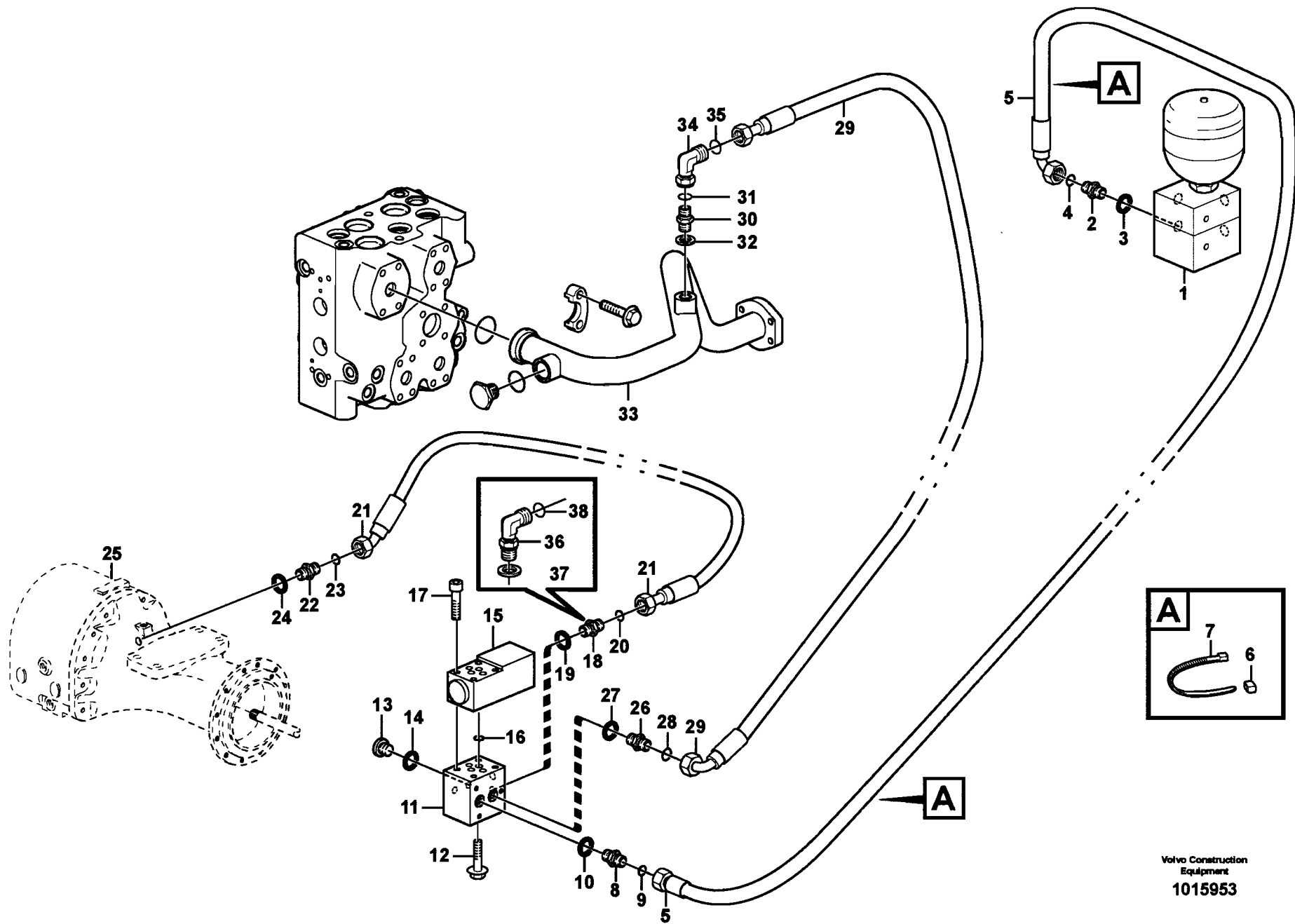
| Fig. | Part No. | Quantity | | | | | P S | K T | Description | Dénomination | Bezeichnung | Denominación | Benämning | Notes |
|------|--------------|----------|---|---|---|---|--------|--------------------|-----------------------|-----------------------|-----------------------|-------------------|-------------------------|-------|
| | | 1 | 2 | 3 | 4 | 5 | | | | | | | | |
| 1 | VOE 1522135 | 1 | | | | | | Comp Flange | Flasque Entrai..... | Antriebsflansch | Brida | Medbringare..... | | |
| 2 | VOE 11168020 | 1 | | | | | | Shift Yoke | Fourchette | Schaltgabel | Horquill Cambio..... | Skiftgaffel..... | AX - 10215 | |
| | VOE 11168135 | 1 | | | | | | Shift Yoke | Fourchette | Schaltgabel | Horquill Cambio..... | Skiftgaffel..... | AX 10216 - | |
| 3 | VOE 1523087 | 2 | | | | | | Pin..... | Goupille | Zapfen..... | Pasador | Tapp..... | | |
| 4 | VOE 1523084 | 1 | | | | | | Lock brace | Etrier de verrouillag | Sperrklinke..... | Brazo Seguridad.... | Låsbygel..... | | |
| 5 | VOE 13955294 | 2 | | | | | | Screw..... | Vis | Schraube | Tornillo..... | Skruv..... | 2165) | |
| 6 | VOE 11039219 | 1 | | | | | | Contact | Contact..... | Kontakt..... | Contacto | Kontakt..... | 2165) SE408 | |
| 7 | VOE 1522445 | 1 | | | | | | Ptct Casing | Capot Protect | Schutzhaube | Cubiert Protec | Skyddskåpa..... | 2165) | |
| 8 | VOE 13941907 | 2 | | | | | | Spring Washer..... | Rondelle élastique.. | Federscheibe | Arandela flexible.... | Fjäderbricka..... | | |
| 9 | VOE 1522134 | 1 | | | | | | Comp Flange | Flasque Entrai..... | Antriebsflansch | Brida | Medbringare..... | AX - 10215 | |
| | VOE 1522099 | 1 | | | | | | Comp Flange | Flasque Entrai..... | Antriebsflansch | Brida | Medbringare..... | AX 10216 - | |
| 10 | VOE 1522102 | 1 | | | | | | Washer | Rondelle | Scheibe..... | Arandela | Bricka..... | | |
| 11 | VOE 945506 | 1 | | | | | | Snap Ring..... | Circlip | Nutring | Circlip | Spårring..... | | |
| 12 | | 1 | | | | | | Shaft | Arbre | Welle..... | Arbol..... | Axel..... | See group 461, Page 465 | |
| 13 | VOE 11168128 | 1 | | | | | | Bushing..... | Bague..... | Buchse..... | Casquillo..... | Bussning..... | | |
| 14 | VOE 11168132 | 2 | | | | | | Guide Ring..... | Bague Guide | Führungsring..... | Anillo Guia | Styrring..... | | |
| 15 | VOE 11168028 | 1 | | | | | | Return Spring..... | Ressort Rappel..... | Ruckholfeder..... | Resorte Antagon | Returfjäder..... | | |
| 16 | VOE 11168127 | 1 | | | | | | Piston..... | Piston | Kolben..... | Piston | Kolv..... | | |
| 17 | VOE 925058 | 1 | | | | | | O-ring..... | Joint Tonque | O-Ring | Junta torica..... | O-ring..... | | |
| 18 | VOE 11168092 | 1 | | | | | | Plug..... | Bouchon | Stopfen | Tapon | Plugg..... | | |
| 19 | VOE 13947622 | | | | | | | Plane Gasket | Joint Plan | Flachdichtung | Junta Plana | Planpackning..... | | |

2165) 82824: SER NO 20838 - 21078, SER NO 64475 - 66490 USA/ OPEN ROPS

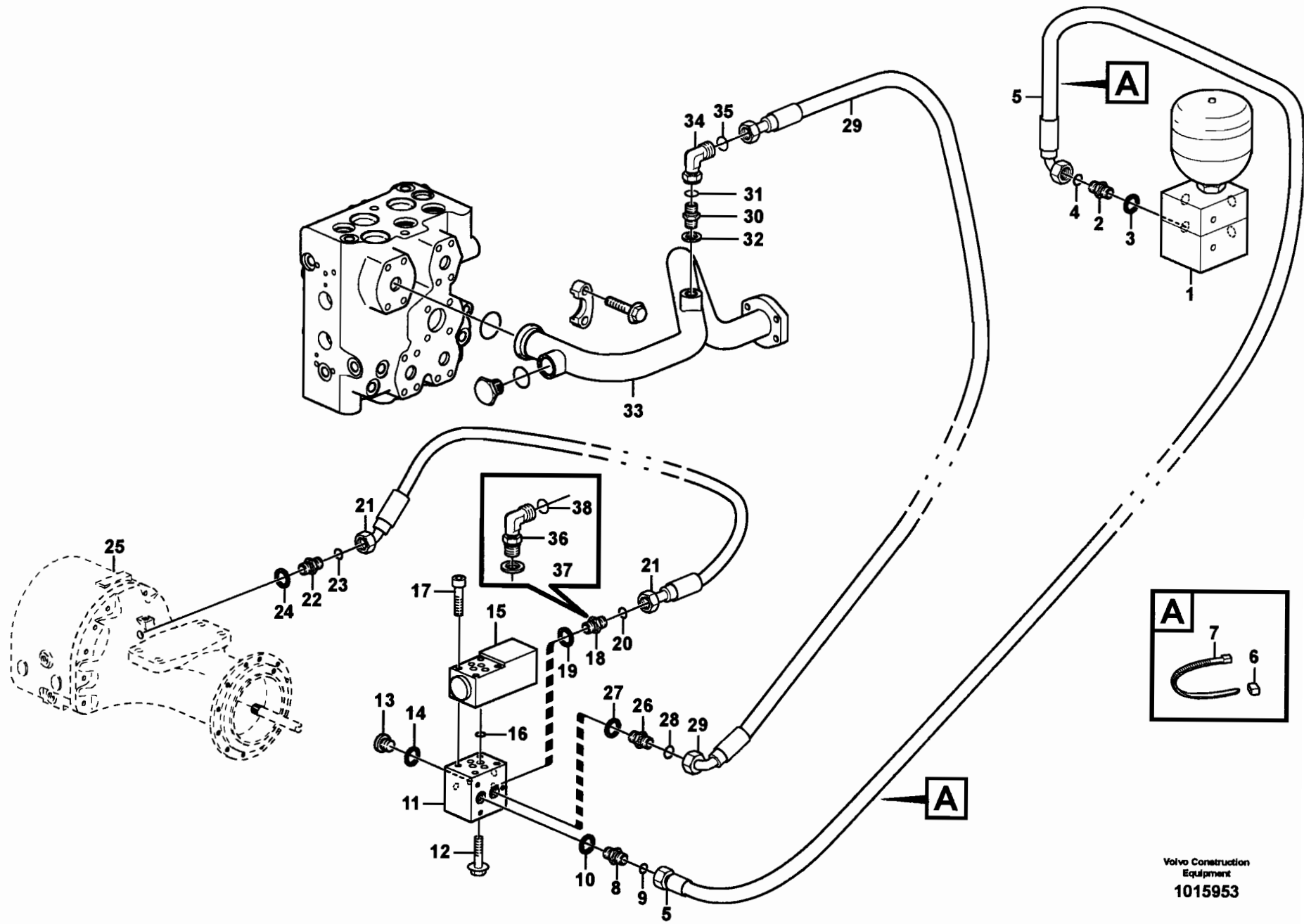
| | | | |
|---|--|-----------------------|------------|
| 1 | Differentialspär Bloqueo del diferencial Ausgleichsperre Blocage différentiel Differential lock | Catalogue id | Group |
| 2 | | 20007 | 468 |
| 3 | | Illustr. No | Section |
| 4 | | 1016018 | 100 |
| 5 | | Issue | Page |
| | | VOE 63D9920007 | 483 |

VOLVO

L90E



Volvo Construction
 Equipment
 1015953



Volvo Construction
Equipment
1015953

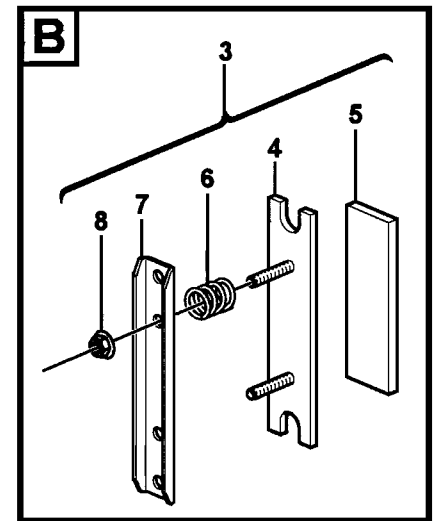
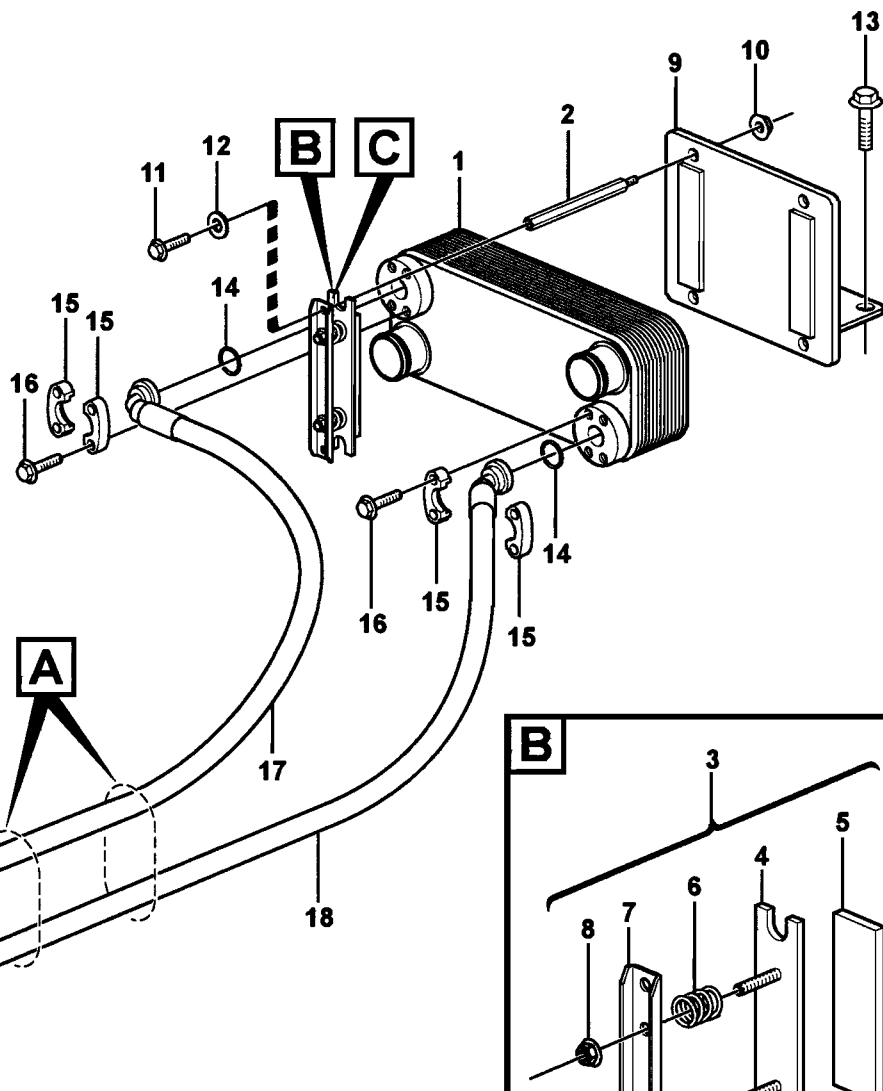
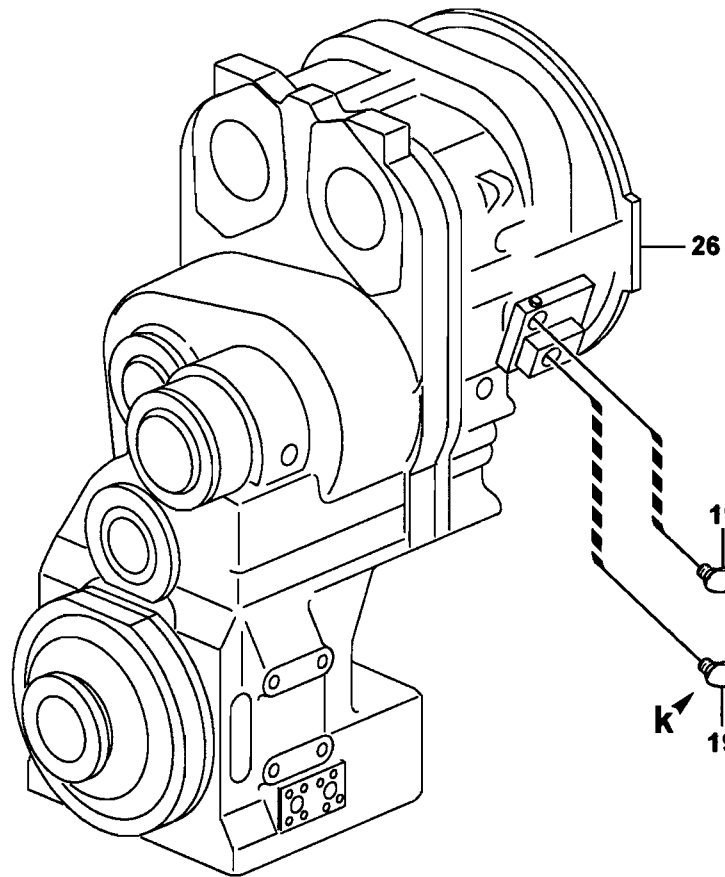
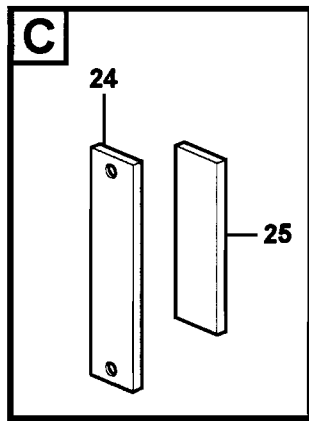
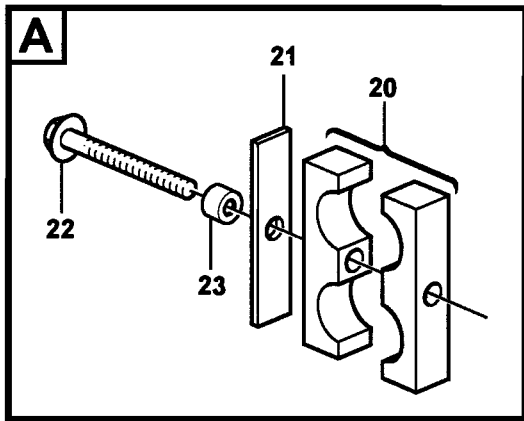
| Fig. | Part No. | Quantity | | | P S | K I T | Description | Dénomination | Bezeichnung | Denominación | Benämning | Notes |
|------|--------------|----------|---|---|--------|--------------------|-------------------------|----------------------|---------------------|-------------------|-------------------------|-------|
| | | 1 | 2 | 3 | | | | | | | | |
| 28 | VOE 4880492 | 1 | | | | •O-ring..... | •Joint Torique..... | •O-Ring..... | •Junta torica..... | •O-ring..... | | |
| 29 | VOE 936702 | 1 | | | | Hose assembly..... | Conduit flexible..... | Schlauchleitung..... | Conducto..... | Slangledning..... | L = 600 MM | |
| 30 | VOE 13933855 | 1 | | | | Nipple..... | Raccord..... | Nippel..... | Niple..... | Nippel..... | | |
| 31 | VOE 4880492 | 1 | | | | •O-ring..... | •Joint Torique..... | •O-Ring..... | •Junta torica..... | •O-ring..... | | |
| 32 | VOE 14213676 | 1 | | | | •Sealing ring..... | •Bague d'étanchéité ... | •Runddichtring..... | •Anillo reten..... | •Tätningring..... | | |
| 33 | | 1 | | | | Return Line..... | Conduit Retour..... | Ruckaufleitung..... | Conduct Return..... | Returledning..... | See group 911, Page 811 | |
| 34 | VOE 13933900 | 1 | | | | Elbow nipple..... | Raccord angulaire..... | Winkelnippel..... | Niple angular..... | Vinkelnippel..... | | |
| 35 | VOE 4880492 | 1 | | | | •O-ring..... | •Joint Torique..... | •O-Ring..... | •Junta torica..... | •O-ring..... | | |
| 36 | VOE 13933913 | 1 | | | | Elbow nipple..... | Raccord angulaire..... | Winkelnippel..... | Niple angular..... | Vinkelnippel..... | | |
| 37 | VOE 14211856 | 1 | | | | •Sealing ring..... | •Bague d'étanchéité ... | •Runddichtring..... | •Anillo reten..... | •Tätningring..... | | |
| 38 | VOE 4880492 | 1 | | | | •O-ring..... | •Joint Torique..... | •O-Ring..... | •Junta torica..... | •O-ring..... | | |

2165) 82824: SER NO 20838 - 21078, SER NO 64475 - 66490 USA/ OPEN ROPS

| | | | |
|---|---|--------------------------------|-----------------------|
| 1 | Differentialspär, hydraulledning Bloqueo del diferencial, conducto hidráulico Differentialsperre, Hydraulikleitung Blocage de différentieltuyau, hydraulique Differential lock, hydraulic line 2165) STD, OPEN ROPS, 82824 | Catalogue id 20007 | Group 468 |
| 2 | | Illustr. No 1015953 | Section 150 |
| 3 | | Issue VOE 63D9920007 | Page 487 |
| 4 | | | |
| 5 | | | |

VOLVO

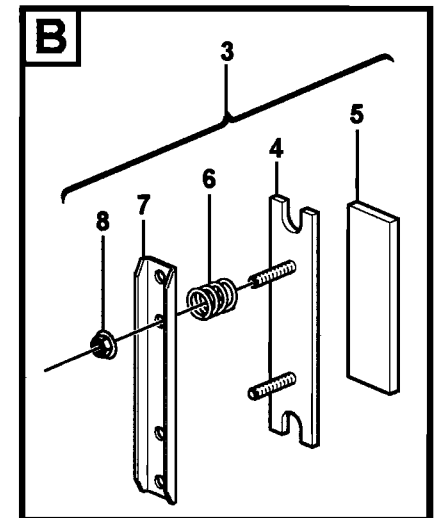
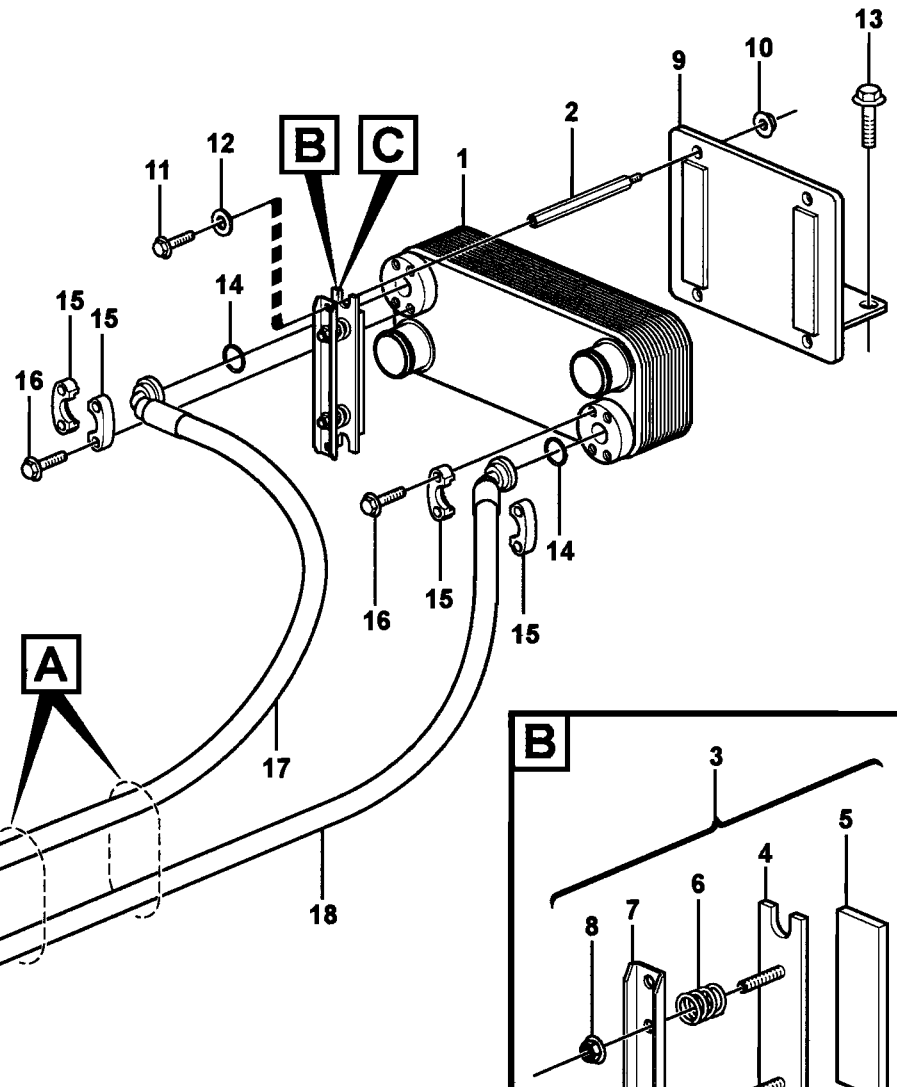
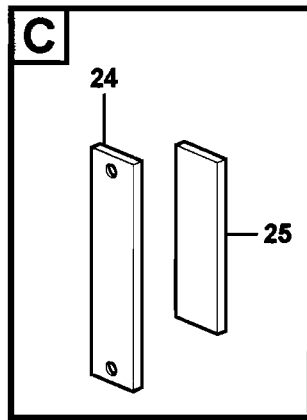
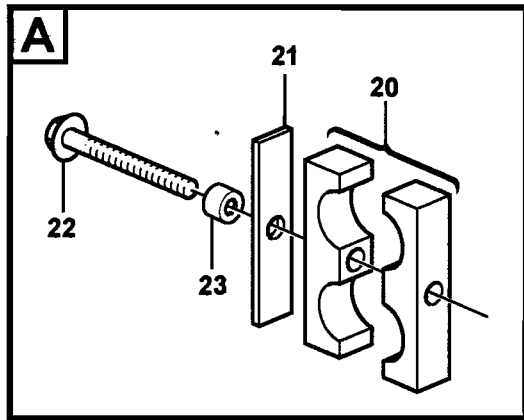
L90E



Volvo Construction
Equipment
1015750

| Fig. | Part No. | Quantity | | | P S | K I T | Description | Dénomination | Bezeichnung | Denominación | Benämning | Notes |
|------|--------------|----------|---|---|--------|-------------|-------------------------|----------------------------|-----------------------|--------------------------|-----------------------|---|
| | | 1 | 2 | 3 | | | | | | | | |
| 1 | VOE 11110049 | 1 | | | | | Oil Cooler | Refroidisseur huile | Ölkühler | Enfriadores aceite | Oljekylare | |
| 2 | VOE 11410363 | 4 | | | | | Carrier | Support | Träger | Soporte | Hållare | S/N - 20273, - 66317 USA S/N - 70828 BRA |
| 2 | VOE 11410633 | 4 | | | | | Spacer | Partie Intermédiaire | Zwischenstück | Espaciador | Mellandel | S/N 20274 - S/N 66318 - USA S/N 70829 - BRA |
| 3 | VOE 11130351 | 2 | | | | | Tensioner | Bride Serrage | Stelleisen | Barra Tirante | Spännjärn | S/N - 20273, - 66317 USA S/N - 70828 BRA |
| 4 | | 2 | | | NS | | •Tensioning plate | •Plaque serrage | •Spannplatte | •Placa tensora | •Spännplatta | |
| 5 | VOE 11130496 | 2 | | | | | •Rubber Mat | •Tapis Caoutchouc | •Gummimatte | •Alfombra Goma | •Gummimatta | |
| 6 | VOE 11130354 | 4 | | | | | •Spring | •Ressort | •Feder | •Muelle | •Fjäder | |
| 7 | | 2 | | | NS | | •Tensioning plate | •Plaque serrage | •Spannplatte | •Placa tensora | •Spännplatta | |
| 8 | VOE 948645 | 4 | | | | | •Flange Lock Nut | •Contre écrou bride | •Flanschmutter | •Contratuer Embr | •Flänslåsmutter | |
| 9 | VOE 11410252 | 1 | | | | | Shelf | Planche | Ablage | Estante | Hylla | |
| 10 | VOE 11130496 | 2 | | | | | •Rubber Mat | •Tapis Caoutchouc | •Gummimatte | •Alfombra Goma | •Gummimatta | |
| 11 | VOE 968842 | 4 | | | | | Flange screw | Vis à bride | Flanschschaube | Tom embridado | Flänsskruv | |
| 12 | VOE 13960141 | 4 | | | | | Washer | Rondelle | Scheibe | Arandela | Bricka | |
| 13 | VOE 946472 | 4 | | | | | Flange screw | Vis à bride | Flanschschaube | Tom embridado | Flänsskruv | |
| 14 | VOE 14215715 | 2 | | | | | Sealing ring | Bague d'étanchéité | Runddichtring | Anillo reten | Tätningring | |
| 15 | VOE 11015455 | 4 | | | | | Flange Half | Demi-bride | Flanschhälfte | Media brida | Flänshalva | |
| 16 | VOE 946472 | 8 | | | | | Flange screw | Vis à bride | Flanschschaube | Tom embridado | Flänsskruv | |
| 17 | VOE 11173201 | 1 | | | | | Hose assembly | Conduit flexible | Schlauchleitung | Conducto | Slangledning | |
| 18 | VOE 11173202 | 1 | | | | | Hose assembly | Conduit flexible | Schlauchleitung | Conducto | Slangledning | |
| 19 | VOE 11172168 | 2 | | | | | Nipple | Raccord | Nippel | Niple | Nippel | |
| 20 | VOE 4880577 | 1 | | | | | Clamp | Pince Serrage | Klemme | Abrazadera | Klämma | |
| 21 | VOE 4880586 | 1 | | | | | Cover Plate | Protection en tole | Schutzblech | Placa Tapa | Täckplatta | |
| 22 | VOE 13965181 | 1 | | | | | Flange screw | Vis à bride | Flanschschaube | Tom embridado | Flänsskruv | |
| 23 | VOE 13968796 | 1 | | | | | Spacer Sleeve | Douille entretoise | Distanzhülse | Manguito Dist | Distanshylsa | |

| | | | | |
|---|--|---|-----------------------|------------|
| 1 | | Oljekylare Enfriador de aceite Ölkühler Radiateur d 'huile Oil cooler STD, OPEN ROPS | Catalogue id | Group |
| 2 | | | 20007 | 491 |
| 3 | | | Illustr. No | Section |
| 4 | | | 1015750 | 100 |
| 5 | | | Issue | Page |
| | | | VOE 63D9920007 | 489 |



Volvo Construction
Equipment
1015750



| Fig. | Part No. | Quantity | | | P S | K I T | Description | Dénomination | Bezeichnung | Denominación | Benämning | Notes |
|------|--------------|----------|---|---|--------|-------------------------|------------------------|-------------------|----------------------|-------------------|---|-------|
| | | 1 | 2 | 3 | | | | | | | | |
| 24 | VOE 11410637 | 2 | | | | Tnsn Plate..... | Plaque Serrage | Spannplatte | Placa Tensora | Spännplatta..... | S/N 20274 - S/N 66318 - USA S/N 70829 - BRA | |
| | | 2 | | | NS | •Tensioning plate | •Plaque serrage | •Spannplatte..... | •Placa tensora | •Spännplatta..... | | |
| 25 | VOE 11130496 | 2 | | | | •Rubber Mat..... | •Tapis Caoutchouc..... | •Gummimatte | •Alfombra Goma..... | •Gummimatta..... | | |
| 26 | | 1 | | | | Housing..... | Carter | Gehäuse..... | Carter | Hus..... | See group 421, Page 409 | |

| | | | | |
|---|--|---|-----------------------|------------|
| 1 | | Oljekylare Enfriador de aceite Ölkühler Radiateur d 'huile Oil cooler STD, OPEN ROPS | Catalogue id | Group |
| 2 | | | 20007 | 491 |
| 3 | | | Illustr. No | Section |
| 4 | | | 1015750 | 100 |
| 5 | | | Issue | Page |
| | | | VOE 63D9920007 | 491 |

VOLVO

L90E

VOLVO

Construction Equipment

((((((((

| GROUP | | Section | Page | GROUP | | Section | Page |
|-------|---|---------|------|-------|--|---------|------|
| 516 | Multi-disc brake, front..... | 100 | 499 | | | | |
| 517 | Multi-disc brake, rear | 100 | 501 | | | | |
| 522 | Brake line, valve body - accumulators - accumulator - footbrake valve STD, OPEN ROPS | 100 | 503 | | | | |
| 522 | Brake lines, footbrake valve - axles STD, OPEN ROPS..... | 300 | 507 | | | | |
| 522 | Brake pipes, front axle and rear axle STD, OPEN ROPS..... | 325 | 511 | | | | |
| 525 | Dual brake pedals STD, OPEN ROPS | 100 | 515 | | | | |
| 527 | Valve and accumulators STD, OPEN ROPS | 200 | 517 | | | | |
| 551 | Parking brake system STD, 33286 OPEN ROPS..... | 250 | 519 | | | | |

INDEX OF CONTENTS

| | |
|--------------------------------|---------------------|
| Catalogue id 20007 | Group 500 |
| Issue VOE 63D9920007 | Page 493 |

TABLE DES MATIÈRES

| | |
|--------------------------------|---------------------|
| Catalogue id 20007 | Group 500 |
| Issue VOE 63D9920007 | Page 494 |

| GROUPE | Section | Page | GROUPE | Section | Page |
|--------|---|------|--------|---------|------|
| 516 | Frein à disques, AV..... | 100 | 499 | | |
| 517 | Frein à disques, AR | 100 | 501 | | |
| 522 | Conduit frein, bloc soupapes - accu - robinet frein a pied STD, OPEN ROPS..... | 100 | 503 | | |
| 522 | Conduits de frein, robinet frein à pied - essieux STD, OPEN ROPS . | 300 | 507 | | |
| 522 | Conduit de frein, essieu avant - essieu arrière STD, OPEN ROPS... | 325 | 511 | | |
| 525 | Pédales de frein couplées STD, OPEN ROPS | 100 | 515 | | |
| 527 | Soupape et accu STD, OPEN ROPS | 200 | 517 | | |
| 551 | Système frein de stationnement STD, 33286 OPEN ROPS..... | 250 | 519 | | |

| GRUPPE | Abschnitt | Seite | GRUPPE | Abschnitt | Seite |
|--------|--|-------|--------|-----------|-------|
| 516 | Lamellenbremse, vorn | 100 | | | 499 |
| 517 | Lamellenbremse, hinten..... | 100 | | | 501 |
| 522 | Bremsleitung, Ventilgrupp - Speicher - Fussbremsventil STD, OPEN ROPS..... | 100 | | | 503 |
| 522 | Bremsleitungen, Fussbremsventil - Achsen STD, OPEN ROPS | 300 | | | 507 |
| 522 | Bremsleitung, Vorder- und Hinterachse STD, OPEN ROPS | 325 | | | 511 |
| 525 | Doppelte Bremspedale STD, OPEN ROPS | 100 | | | 515 |
| 527 | Ventil und Speicher STD, OPEN ROPS | 200 | | | 517 |
| 551 | Feststellbremssystem STD, 33286 OPEN ROPS..... | 250 | | | 519 |

| | | |
|---------------------------|--------------------------------|---------------------|
| INHALTSVERZEICHNIS | Catalogue id 20007 | Group 500 |
| | Issue VOE 63D9920007 | Page 495 |

INDICE

| | |
|--------------------------------|---------------------|
| Catalogue id 20007 | Group 500 |
| Issue VOE 63D9920007 | Page 496 |

| GRUPO | Sección | Página | GRUPO | Sección | Página |
|-------|--|--------|-------|---------|--------|
| 516 | Freno de disco, delantero | 100 | 499 | | |
| 517 | Freno de disco, trasero | 100 | 501 | | |
| 522 | Conducto de freno, cuerpo valvula - acumulador - valvula freno pie STD, OPEN ROPS | 100 | 503 | | |
| 522 | Conductos de freno, válvula de freno de pie - ejes STD, OPEN ROPS300 | | 507 | | |
| 522 | Tubos de freno, ejes delantero y trasero STD, OPEN ROPS..... | 325 | 511 | | |
| 525 | Pedales de freno, dobles STD, OPEN ROPS..... | 100 | 515 | | |
| 527 | Válvula y acumulador STD, OPEN ROPS | 200 | 517 | | |
| 551 | Sistema de freno de estacionamiento STD, 33286 OPEN ROPS | 250 | 519 | | |

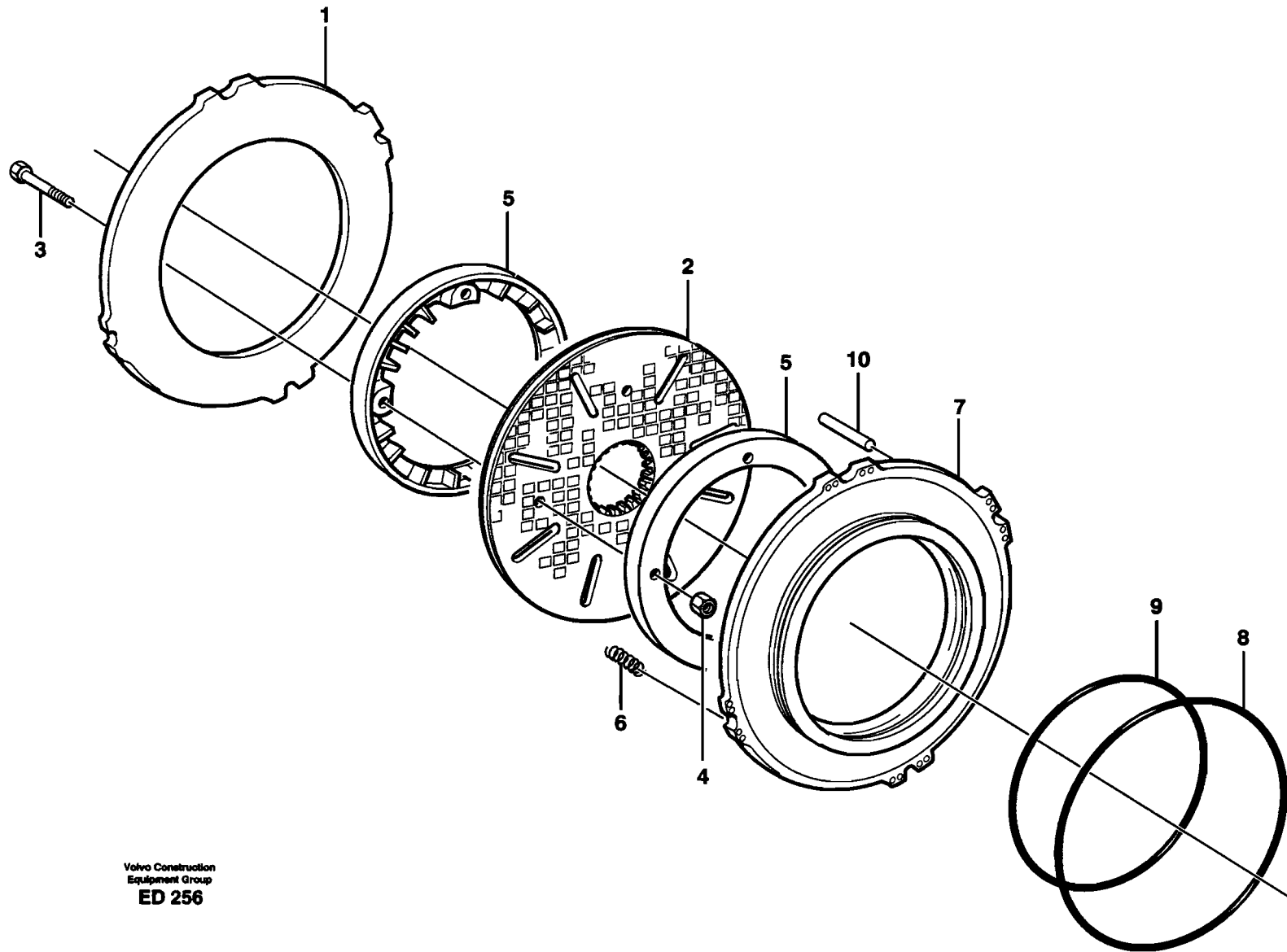
| GRUPP | Avsnitt | Sida | GRUPP | Avsnitt | Sida |
|-------|---|------|-------|---------|------|
| 516 | Lamellbroms, fram | 100 | | | 499 |
| 517 | Lamellbroms, bak..... | 100 | | | 501 |
| 522 | Bromsledning, ventilblock - ackumulator - fotbromsventil STD, OPEN ROPS..... | 100 | | | 503 |
| 522 | Bromsledningar, fotbromsventil - axlar STD, OPEN ROPS..... | 300 | | | 507 |
| 522 | Bromsrör, framaxel och bakaxel STD, OPEN ROPS..... | 325 | | | 511 |
| 525 | Dubbla bromspedaler STD, OPEN ROPS | 100 | | | 515 |
| 527 | Ventil och ackumulatorer STD, OPEN ROPS..... | 200 | | | 517 |
| 551 | Parkeringsbromssystem STD, 33286 OPEN ROPS..... | 250 | | | 519 |

INNEHÅLLSFÖRTECKNING

| | |
|------------------------------|---------------------|
| Catalogue id 20007 | Group 500 |
| Issue VOE 63D9920007 | Page 497 |

VOLVO

L90E



Volvo Construction
Equipment Group
ED 256

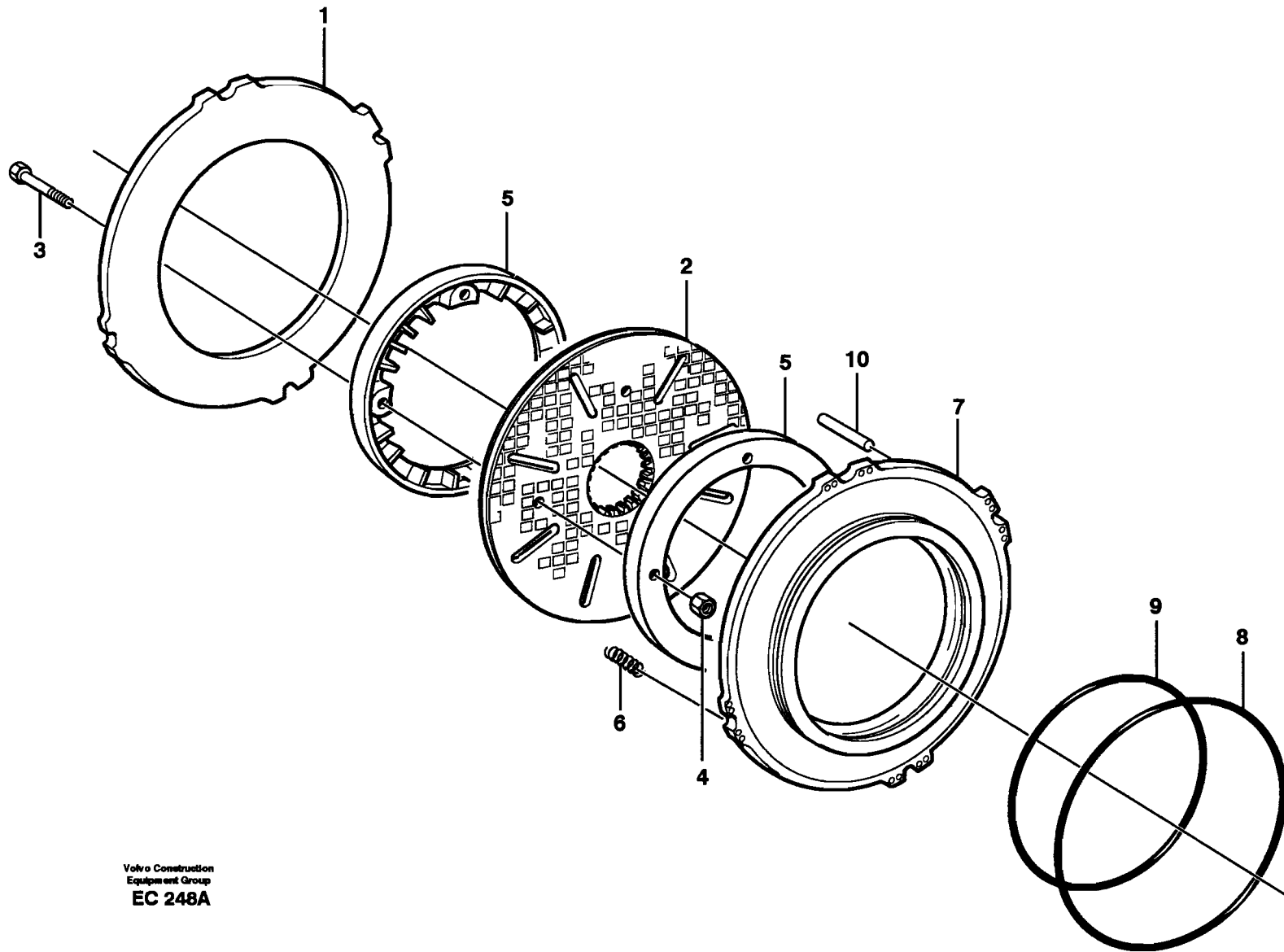
| Fig. | Part No. | Quantity | | | P S | K I T | Description | Dénomination | Bezeichnung | Denominación | Benämning | Notes |
|------|--------------|----------|---|---|--------|-------------|-------------------------|-------------------------|----------------------|-------------------------|-----------------------|-------------------------|
| | | 1 | 2 | 3 | | | | | | | | |
| | | 1 | | | | | Planetary axle | Axe planétaire | Planetenachse | Eje planetario | Planetaxel..... | See group 460, Page 461 |
| 1 | VOE 11102249 | 2 | | | | | •Brake Plate | •Plaque Frein | •Bremsplatte | •Placa De Freno | •Bromsplatta..... | |
| | VOE 11703544 | 2 | | | | | •Brake Disc | •Disque Frein | •Bremslamelle | •Disco De Freno | •Bromslamell..... | KIT |
| 2 | | 2 | | | NS | | ••Brake Disc | ••Disque Frein | ••Bremslamelle..... | ••Disco De Freno..... | ••Bromslamell..... | |
| | VOE 9993875 | 2 | | | | | ••Gauge..... | ••Calibre | ••Schablone..... | ••Plantilla | ••Mall..... | 1270) |
| | VOE 11999976 | 4 | | | | | ••Spring Pin..... | ••Axe de ressort | ••Federstift..... | ••Pasador Resorte..... | ••Fjäderpinne..... | 1270) |
| 3 | VOE 13947542 | 8 | | | | | ••Screw | ••Vis..... | ••Schraube | ••Tornillo | ••Skruv..... | |
| 4 | VOE 13949278 | 8 | | | | | ••Flange Lock Nut | ••Contre écrou bride... | ••Flanschmutter..... | ••Contratuer Embr | ••Flänslåsmutter..... | |
| 5 | VOE 11034996 | 4 | | | | | •Impeller..... | •Roue Aubes | •Flügelrad | •Rueda Alabes | •Skovelhjul..... | |
| 6 | VOE 11035366 | 32 | | | | | •Compression Spring .. | •Ressort compressio.. | •Druckfeder | •Muelle compresion.... | •Tryckfjäder..... | |
| 7 | VOE 11102575 | 2 | | | | | •Brake Piston | •Piston Frein..... | •Bremskolben | •Piston Frenos..... | •Bromskolv..... | |
| 8 | VOE 11035348 | 2 | | | | | •Sealing ring | •Bague d'étanchéité .. | •Runddichtring..... | •Anillo reten | •Tätningring..... | |
| 9 | VOE 11035347 | 2 | | | | | •Sealing ring | •Bague d'étanchéité .. | •Runddichtring..... | •Anillo reten | •Tätningring..... | |
| 10 | VOE 950629 | 8 | | | | | •Pin | •Goupille..... | •Stift..... | •Pasador..... | •Pinne..... | |

1270) GB: Assembly tool FR: Outil d'assemblage DE: Montagewerkzeug ES: Herramienta de montaje SE: Monteringsverktyg

| | | | | |
|---|--|----------------------------------|-----------------------|------------|
| 1 | | Lamellbroms, fram | Catalogue id | Group |
| 2 | | Freno de disco, delantero | 20007 | 516 |
| 3 | | Lamellenbremse, vorn | Illustr. No | Section |
| 4 | | Frein à disques, AV | ED256 | 100 |
| 5 | | Multi-disc brake, front | Issue | Page |
| | | | VOE 63D9920007 | 499 |

VOLVO

L90E



Volvo Construction
Equipment Group
EC 248A

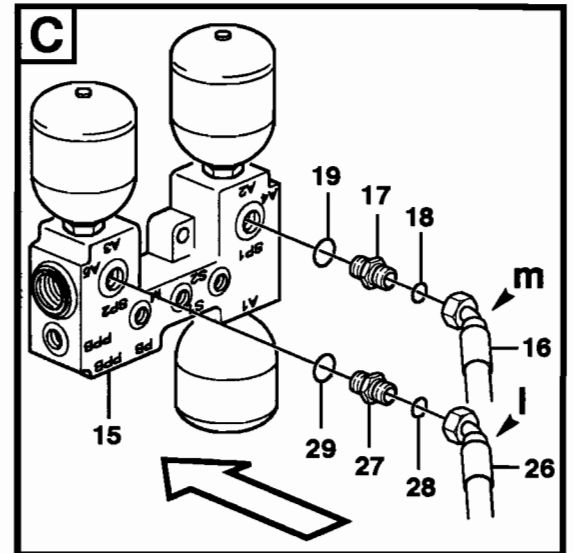
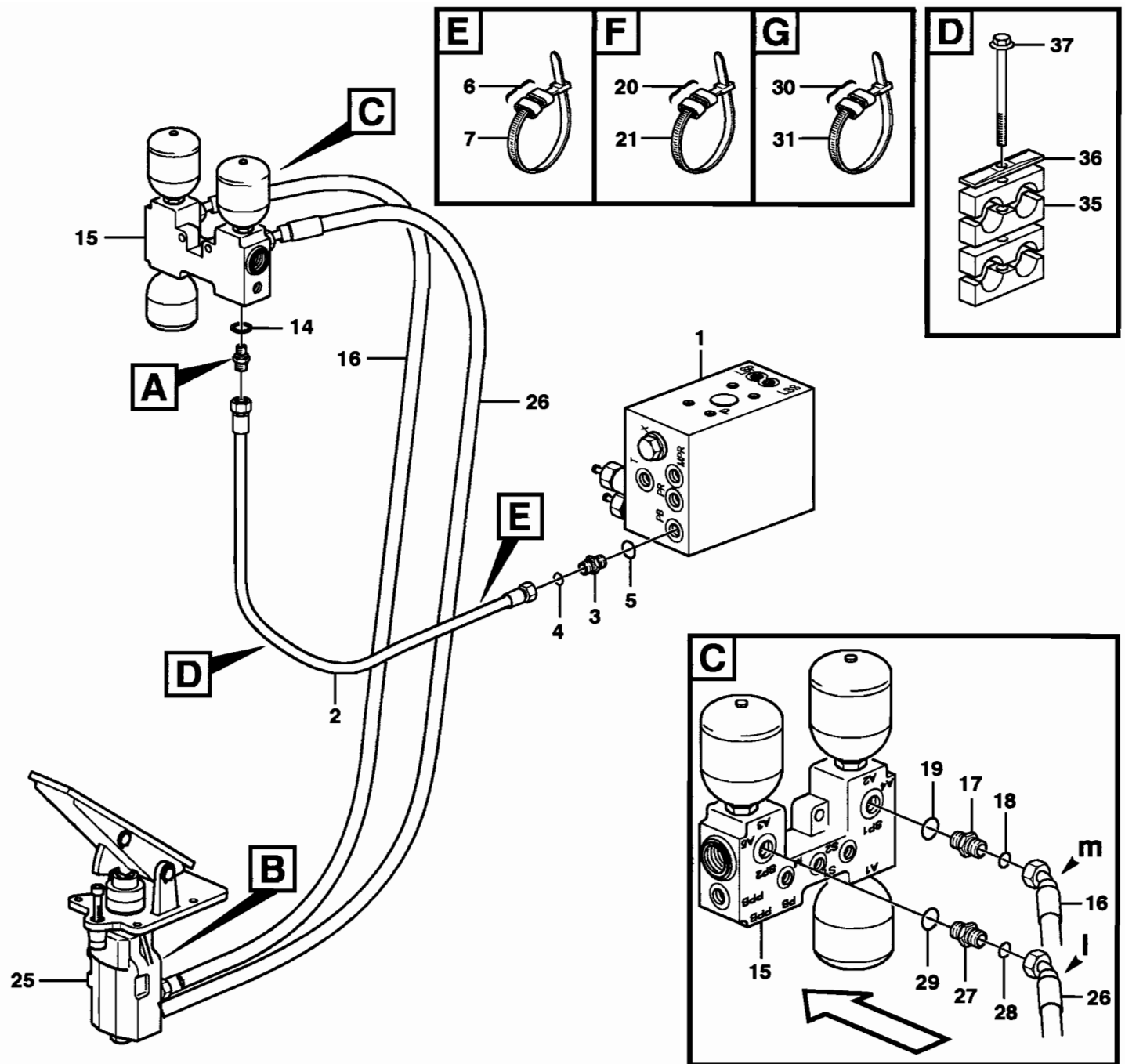
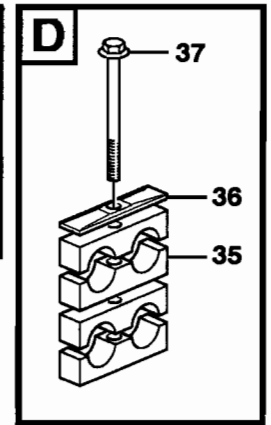
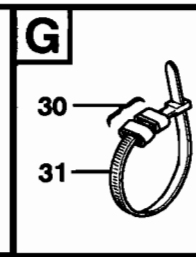
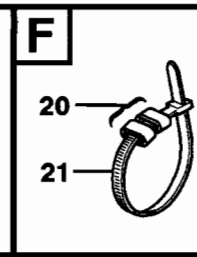
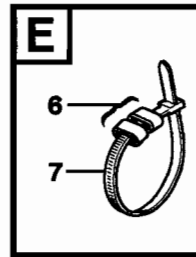
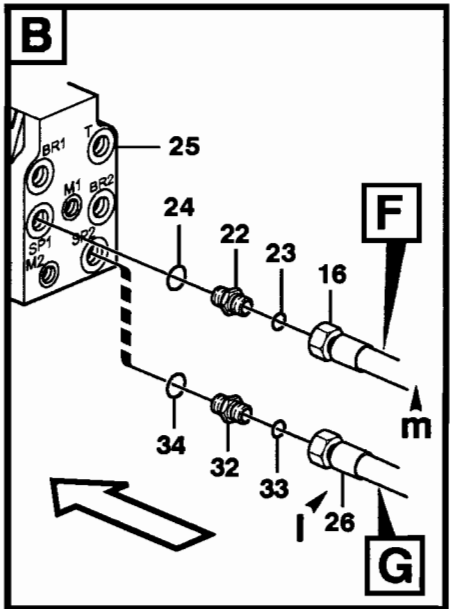
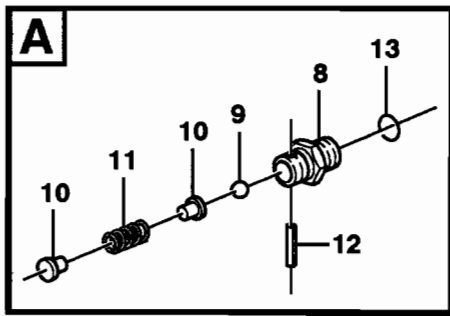
| Fig. | Part No. | Quantity | | | | | P S | K I T | Description | Dénomination | Bezeichnung | Denominación | Benämning | Notes |
|------|--------------|----------|---|---|---|----|--------|------------------------|---------------------------|---------------------|------------------------|----------------------|-------------------------|-------|
| | | 1 | 2 | 3 | 4 | 5 | | | | | | | | |
| | | 1 | | | | | | Planetary axle | Axe planetaire | Planetenachse | Eje planetario | Planetaxel..... | See group 460, Page 461 | |
| 1 | VOE 11102864 | 2 | | | | | | Brake Plate | Plaque Frein | Bremsplatte..... | Placa De Freno | Bromsplatta..... | | |
| | VOE 11703590 | 2 | | | | | | Brake Disc | Disque Frein | Bremslamelle | Disco De Freno | Bromslamell..... | KIT | |
| 2 | | 2 | | | | NS | | •Brake Disc | •Disque Frein..... | •Bremslamelle..... | •Disco De Freno | •Bromslamell..... | | |
| | VOE 11999976 | 4 | | | | | | •Spring Pin | •Axe de ressort..... | •Federstift..... | •Pasador Resorte | •Fjäderpinne..... | 1270) | |
| | VOE 9993875 | 1 | | | | | | •Gauge..... | •Calibre..... | •Schablone..... | •Plantilla..... | •Mall..... | 1270) | |
| 3 | VOE 13947542 | 8 | | | | | | •Screw | •Vis | •Schraube | •Tornillo | •Skruv..... | | |
| 4 | VOE 13949278 | 8 | | | | | | •Flange Lock Nut | •Contre écrou bride | •Flanschmutter..... | •Contratuer Embr.... | •Flänslåsmutter..... | | |
| 5 | VOE 11034862 | 4 | | | | | | Impeller | Roue Aubes | Flugelrad | Rueda Alabes | Skovelhjul..... | | |
| 6 | VOE 11035366 | 32 | | | | | | Compression Spri | Ressort compressi.. | Druckfeder | Muelle compresion .. | Tryckfjäder..... | | |
| 7 | VOE 11035637 | 2 | | | | | | Piston..... | Piston | Kolben..... | Piston | Kolv..... | | |
| 8 | VOE 11035346 | 2 | | | | | | Sealing ring..... | Bague d'étanchéité | Runddichtring..... | Anillo reten | Tätningring..... | | |
| 9 | VOE 11035345 | 2 | | | | | | Sealing ring..... | Bague d'étanchéité | Runddichtring..... | Anillo reten | Tätningring..... | | |
| 10 | VOE 11035528 | 8 | | | | | | Pin..... | Goupille | Stift..... | Pasador | Pinne..... | | |

1270) GB: Assembly tool FR: Outil d'assemblage DE: Montagewerkzeug ES: Herramienta de montaje SE: Monteringsverktyg

| | | | | |
|---|--|-------------------------|----------------|---------|
| 1 | | Lamellbroms, bak | Catalogue id | Group |
| 2 | | Freno de disco, trasero | 20007 | 517 |
| 3 | | Lamellenbremse, hinten | Illustr. No | Section |
| 4 | | Frein à disques, AR | EC248A | 100 |
| 5 | | Multi-disc brake, rear | Issue | Page |
| | | | VOE 63D9920007 | 501 |

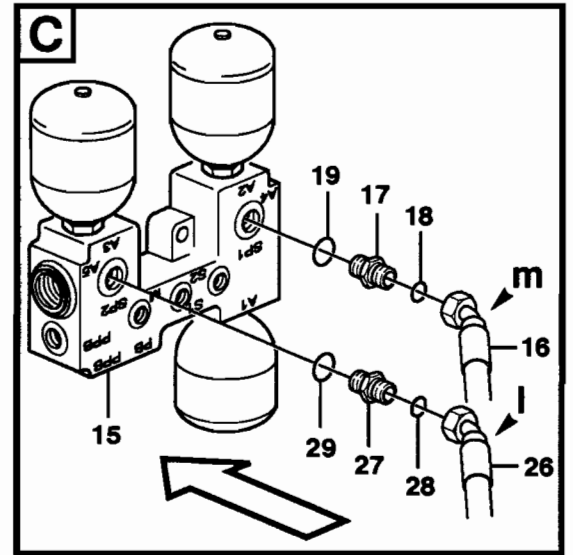
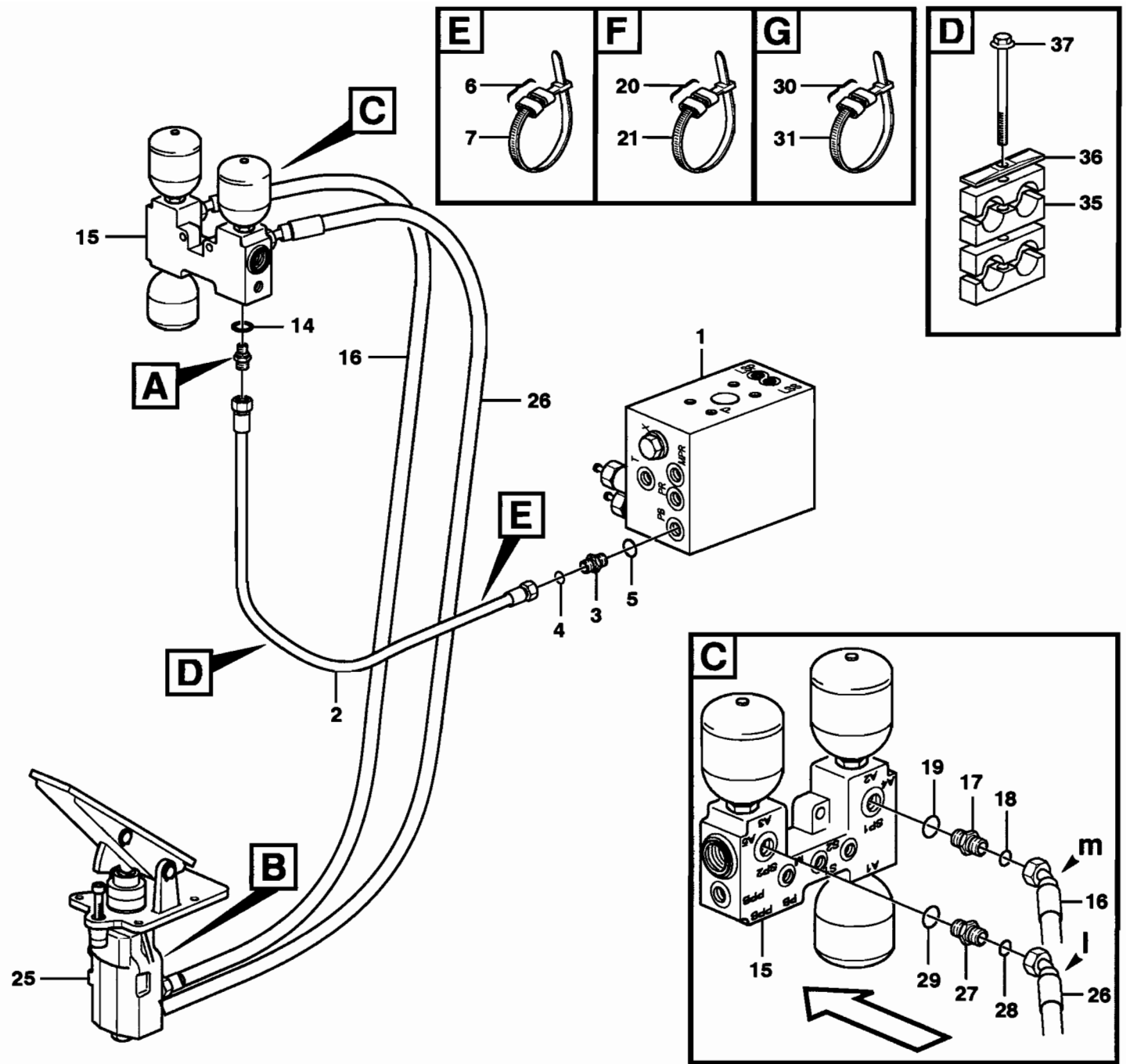
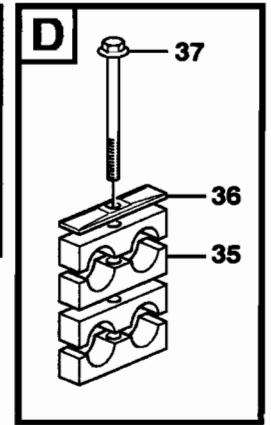
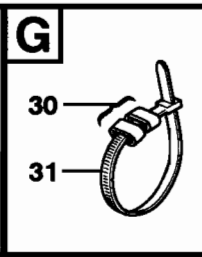
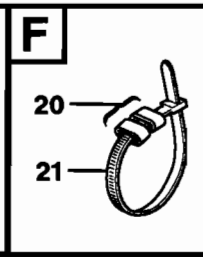
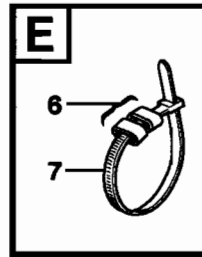
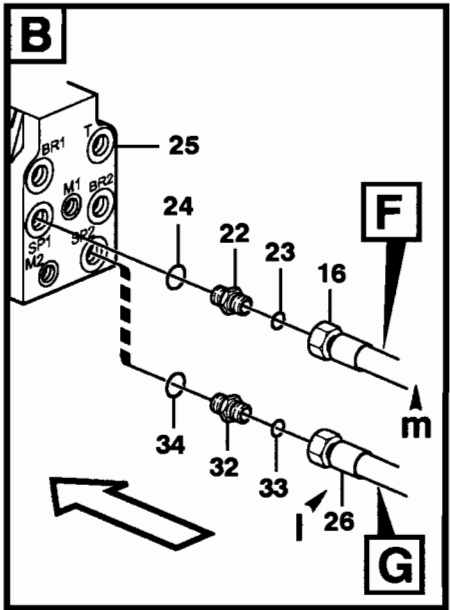
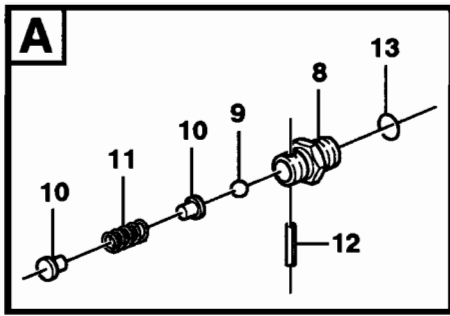
VOLVO

L90E



| Fig. | Part No. | Quantity | | | P S | K I T | Description | Dénomination | Bezeichnung | Denominación | Benämning | Notes |
|------|--------------|----------|---|---|--------|---------------------------|---------------------------|------------------------|---------------------------|---------------------|-------------------------|-------|
| | | 1 | 2 | 3 | | | | | | | | |
| 1 | | 1 | | | | Valve block..... | Bloc-soupape | Ventilblock..... | Bloque de valvula | Ventilblock..... | See group 912, Page 823 | |
| 2 | VOE 11173211 | 1 | | | | Hose assembly | Conduit flexible | Schlauchleitung..... | Conducto..... | Slangedning..... | PB, L = 1150MM | |
| 3 | VOE 13933855 | 1 | | | | Nipple..... | Raccord..... | Nippel..... | Niple..... | Nippel..... | | |
| 4 | VOE 4880492 | 1 | | | | •O-ring..... | •Joint Torique | •O-Ring..... | •Junta torica | •O-ring..... | | |
| 5 | VOE 14213676 | 1 | | | | •Sealing ring..... | •Bague d'étanchéité | •Runddichtring..... | •Anillo reten | •Tätningsring..... | | |
| 6 | VOE 4881454 | 2 | | | | Marking Sleeve | Douill.marquage..... | Kennhulse | Manguit Marcaje..... | Märkhylsa..... | PINK | |
| | VOE 4881455 | 2 | | | | Marking Sleeve | Douill.marquage..... | Kennhulse | Manguit Marcaje..... | Märkhylsa..... | RED | |
| 7 | VOE 4881438 | 2 | | | | Strip Clamp | Ruban Serrage..... | Kabelbinder..... | Abraz Cinta | Bandklamma..... | | |
| | VOE 11108697 | 1 | | | | Check valve | Valve antiretour..... | Rückschlagventil | Válvula de retención..... | Backventil..... | | |
| 8 | | 1 | | | NS | •Nipple | •Raccord | •Nippel..... | •Niple..... | •Nippel..... | | |
| 9 | VOE 192601 | 1 | | | | •Ball..... | •Bille | •Kugel..... | •Bola..... | •Kula..... | | |
| 10 | VOE 11025647 | 2 | | | | •Peg | •Cheville | •Kegel..... | •Eslabon | •Kägla..... | | |
| 11 | VOE 11019434 | 1 | | | | •Compression Spring | •Ressort compressio..... | •Druckfeder | •Muelle compresion..... | •Tryckfjäder..... | | |
| 12 | VOE 13951941 | 1 | | | | •Spring pin | •Goupille tubulaire..... | •Spannstift..... | •Pasador tubular..... | •Rörpinne..... | | |
| 13 | VOE 4881722 | 1 | | | | •O-ring..... | •Joint Torique | •O-Ring..... | •Junta torica | •O-ring..... | | |
| 14 | VOE 13945653 | 1 | | | | Plane Gasket | Joint Plan | Flachdichtung..... | Junta Plana | Planpackning..... | | |
| 15 | | 1 | | | | Valve housing | Carter soupape | Ventilgehäuse | Cuerpo valvula | Ventilhus..... | See group 527, Page 517 | |
| 16 | VOE 11173213 | 1 | | | | Hose assembly | Conduit flexible | Schlauchleitung..... | Conducto..... | Slangedning..... | SP1, L = 1600MM | |
| 17 | VOE 13933853 | 1 | | | | Nipple..... | Raccord..... | Nippel..... | Niple..... | Nippel..... | | |
| 18 | VOE 4880493 | 1 | | | | •O-ring..... | •Joint Torique | •O-Ring..... | •Junta torica | •O-ring..... | | |
| 19 | VOE 14211863 | 1 | | | | •Sealing ring..... | •Bague d'étanchéité | •Runddichtring..... | •Anillo reten | •Tätningsring..... | | |
| 20 | VOE 4881451 | 2 | | | | Marking Sleeve | Douill.marquage..... | Kennhulse | Manguit Marcaje..... | Märkhylsa..... | YELL | |
| | VOE 4881454 | 2 | | | | Marking Sleeve | Douill.marquage..... | Kennhulse | Manguit Marcaje..... | Märkhylsa..... | PINK | |
| 21 | VOE 4881440 | 2 | | | | Strip Clamp | Ruban Serrage..... | Kabelbinder..... | Abraz Cinta | Bandklamma..... | | |
| 22 | VOE 11108730 | 1 | | | | Nipple..... | Raccord..... | Nippel..... | Niple..... | Nippel..... | | |
| 23 | VOE 4880493 | 1 | | | | O-ring..... | Joint Torique | O-Ring..... | Junta torica..... | O-ring..... | | |
| 24 | VOE 967749 | 1 | | | | O-ring..... | Joint Torique | O-Ring..... | Junta torica..... | O-ring..... | | |
| 25 | | 1 | | | | Footbrake Valve..... | Robinet Frein A Pied..... | Fussbremsventil | Valvula Freno Pie..... | Fotbromsventil..... | See group 525, Page 515 | |
| 26 | VOE 11148988 | 1 | | | | Hose assembly | Conduit flexible | Schlauchleitung..... | Conducto..... | Slangedning..... | SP2, L = 1435MM | |
| 27 | VOE 13933853 | 1 | | | | Nipple..... | Raccord..... | Nippel..... | Niple..... | Nippel..... | | |

| | | | | |
|---|--|--|-----------------------|------------|
| 1 | | Bromsledning, ventilblock - ackumulator - fotbromsventil | Catalogue id | Group |
| 2 | | Conducto de freno, cuerpo valvula - acumulador - valvula freno pie | 20007 | 522 |
| 3 | | Bremsleitung, Ventilgrupp - Speicher - Fussbremsventil | Illustr. No | Section |
| 4 | | Conduit frein, bloc soupapes - accu - robinet frein a pied | 1001281 | 100 |
| 5 | | Brake line, valve body - accumulators - accumulator - footbrake valve | Issue | Page |
| | | STD, OPEN ROPS | VOE 63D9920007 | 503 |



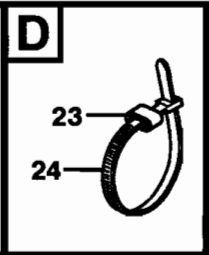
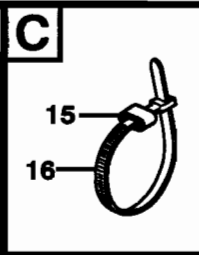
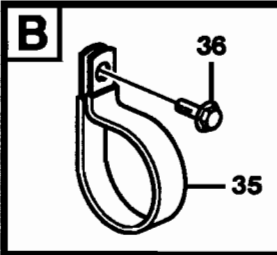
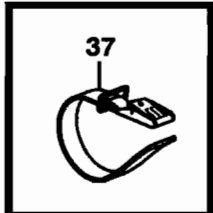
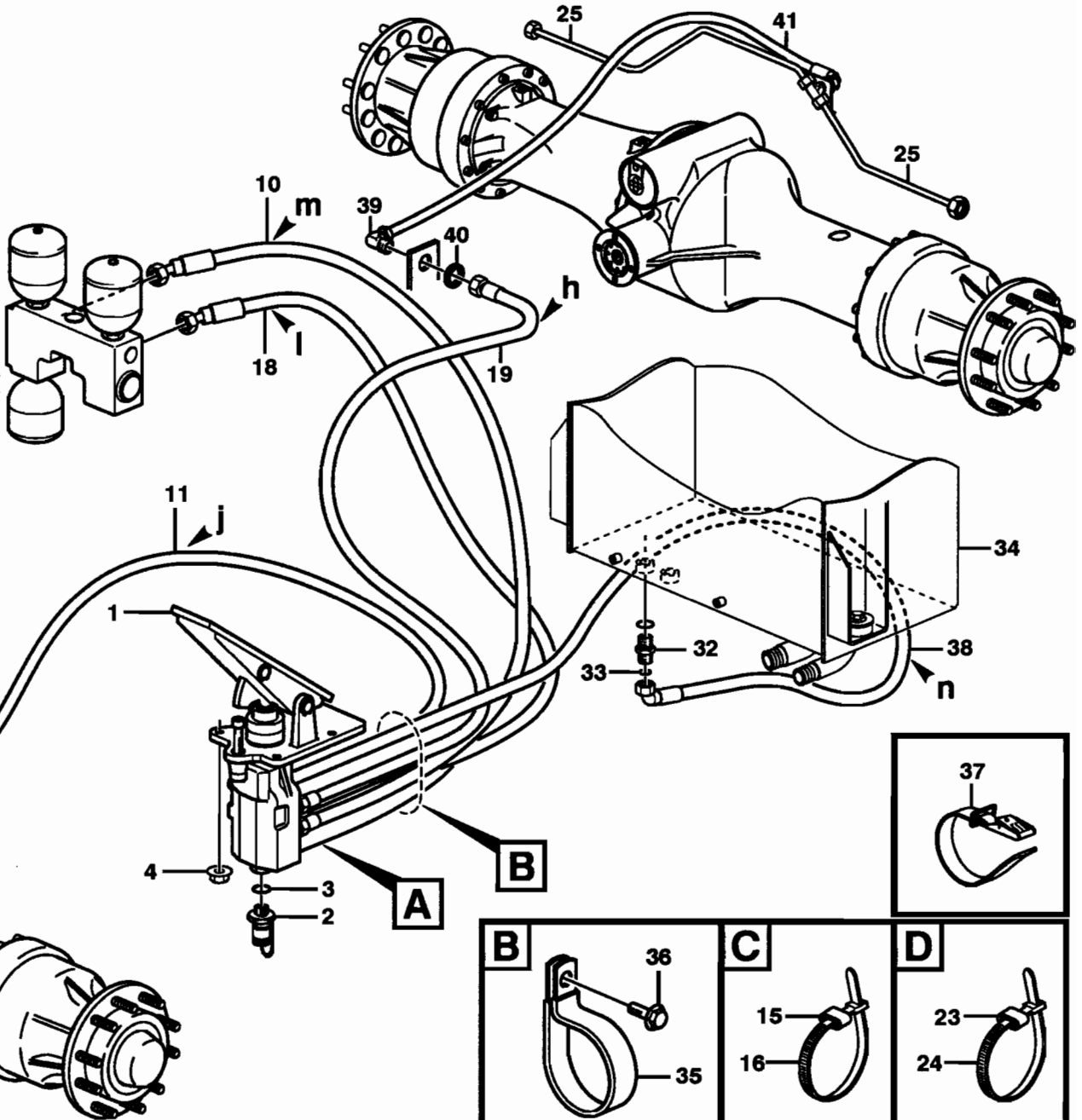
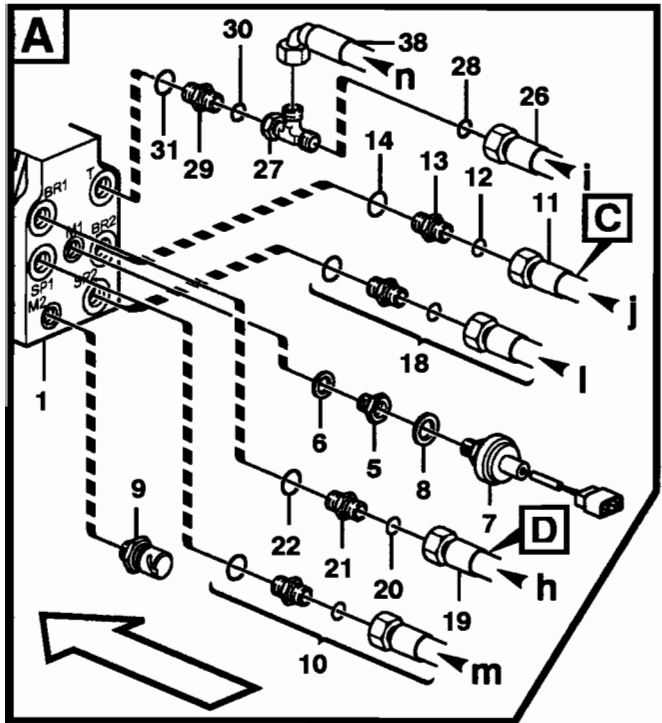
Volvo Construction
Equipment
1001281

| Fig. | Part No. | Quantity | | | P S | K I T | Description | Dénomination | Bezeichnung | Denominación | Benämning | Notes |
|------|--------------|----------|---|---|--------|-------------|---------------------|-------------------------|----------------------|----------------------|-------------------|-------|
| | | 1 | 2 | 3 | | | | | | | | |
| 28 | VOE 4880493 | 1 | | | | | •O-ring..... | •Joint Torique..... | •O-Ring..... | •Junta torica..... | •O-ring..... | |
| 29 | VOE 14211863 | 1 | | | | | •Sealing ring..... | •Bague d'étanchéité ... | •Runddichtring..... | •Anillo reten..... | •Tätningring..... | |
| 30 | VOE 4881454 | 2 | | | | | Marking Sleeve..... | Douill.marquage..... | Kennhulse..... | Manguit Marcaje..... | Märkhylsa..... | PINK |
| | VOE 4881459 | 2 | | | | | Marking Sleeve..... | Douill.marquage..... | Kennhulse..... | Manguit Marcaje..... | Märkhylsa..... | BLUE |
| 31 | VOE 4881440 | 2 | | | | | Strip Clamp..... | Ruban Serrage..... | Kabelbinder..... | Abraz Cinta..... | Bandklamma..... | |
| 32 | VOE 11108730 | 1 | | | | | Nipple..... | Raccord..... | Nippel..... | Niple..... | Nippel..... | |
| 33 | VOE 4880493 | 1 | | | | | O-ring..... | Joint Torique..... | O-Ring..... | Junta torica..... | O-ring..... | |
| 34 | VOE 967749 | 1 | | | | | O-ring..... | Joint Torique..... | O-Ring..... | Junta torica..... | O-ring..... | |
| 35 | VOE 11023594 | 4 | | | | | Clamp..... | Pince Serrage..... | Klemme..... | Abrazadera..... | Klämma..... | |
| 36 | VOE 4880578 | 2 | | | | | Cover Plate..... | Protection en tole..... | Schutzblech..... | Placa Tapa..... | Täckplatta..... | |
| 37 | VOE 13965182 | 2 | | | | | Flange screw..... | Vis à bride..... | Flanschschraube..... | Tom embridado..... | Flänsskruv..... | |

| | | | | |
|---|--|---|----------------|---------|
| 1 | | Bromsledning, ventilblock - ackumulator - fotbromsventil | Catalogue id | Group |
| 2 | | Conducto de freno, cuerpo valvula - acumulador - valvula freno pie | 20007 | 522 |
| 3 | | Bremsleitung, Ventilgrupp - Speicher - Fussbremsventil | Illustr. No | Section |
| 4 | | Conduit frein, bloc soupapes - accu - robinet frein a pied | 1001281 | 100 |
| 5 | | Brake line, valve body - accumulators - accumulator - footbrake valve | Issue | Page |
| | | STD, OPEN ROPS | VOE 63D9920007 | 505 |

VOLVO

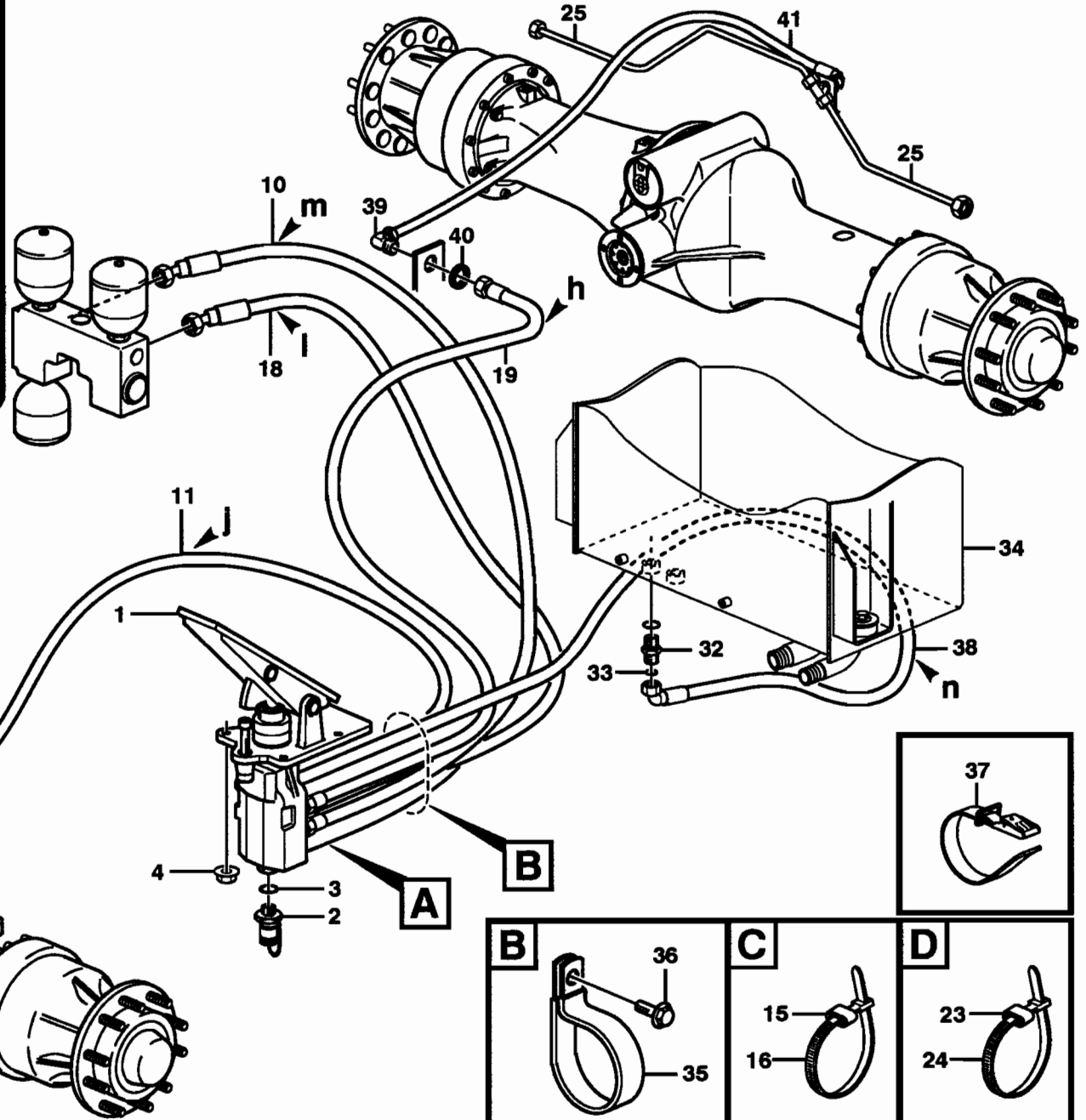
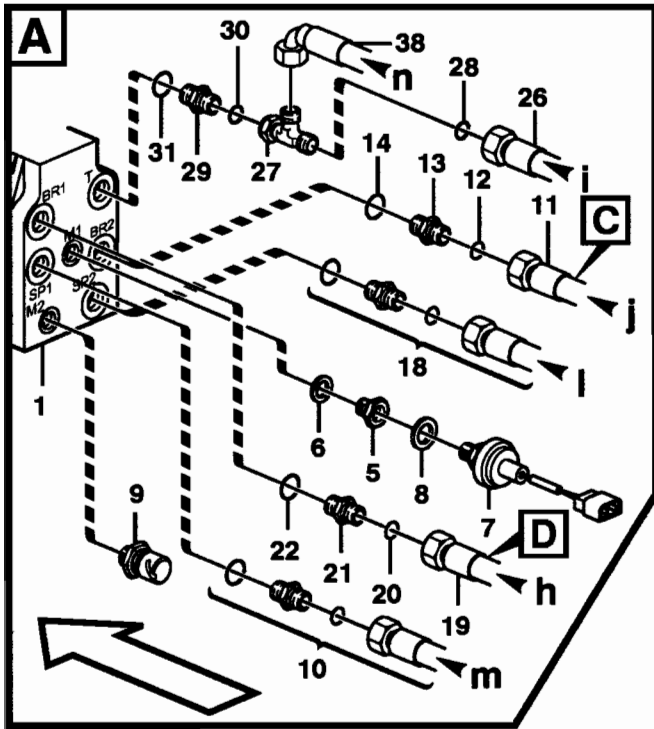
L90E



Volvo Construction
Equipment
1009769

| Fig. | Part No. | Quantity | | | P S | K T | Description | Dénomination | Bezeichnung | Denominación | Benämning | Notes |
|------|--------------|----------|---|---|--------|----------------------|-------------------------|----------------------|------------------------|---------------------|---|-------|
| | | 1 | 2 | 3 | | | | | | | | |
| 1 | | 1 | | | | Footbrake Valve..... | Robinet Frein A Pied.. | Fussbremsventil..... | Valvula Freno Pie..... | Fotbromsventil..... | See group 525, Page 515 | |
| 2 | VOE 11100853 | 1 | | | | Testing Nipple..... | Raccord contrôle..... | Prufnippel..... | Niple Medicion..... | Mät nipple..... | See group 525, Page 515 | |
| 3 | VOE 13960211 | 1 | | | | •O-ring..... | •Joint Torique..... | •O-Ring..... | •Junta torica..... | •O-ring..... | See group 525, Page 515 | |
| 4 | VOE 948645 | 4 | | | | Flange Lock Nut..... | Contre écrou bride..... | Flanschmutter..... | Contratuer Embr..... | Flänslåsmutter..... | | |
| 5 | VOE 11039658 | 1 | | | | Rdcn Nipple..... | Raccord Reduct..... | Reduziernippel..... | Niple Reductor..... | Reducernippel..... | | |
| 6 | VOE 947083 | 1 | | | | Gasket..... | Joint..... | Dichtung..... | Junta..... | Packning..... | | |
| 7 | VOE 11039617 | 1 | | | | Press Monitor..... | Capteu.pression..... | Druckwächter..... | Avisador Pres..... | Tryckvakt..... | SE301 | |
| 8 | VOE 13945653 | 1 | | | | Plane Gasket..... | Joint Plan..... | Flachdichtung..... | Junta Plana..... | Planpackning..... | | |
| 9 | VOE 11039577 | 1 | | | | Pressure Sensor..... | Detect.pression..... | Druckmelder..... | Sensor Presion..... | Tryckgivare..... | SE501, SER NO - 21266 SER NO 66849 - USA | |
| | VOE 11170123 | 1 | | | | Pressure Sensor..... | Detect.pression..... | Druckmelder..... | Sensor Presion..... | Tryckgivare..... | SE501, SER NO 21267 - SER NO 66850 - USA | |
| 10 | | 1 | | | | Hose assembly..... | Condui.flexible..... | Schlauchleitung..... | Conducto..... | Slangledning..... | SP1 See group 522, Page 503 | |
| 11 | VOE 11173210 | 1 | | | | Hose assembly..... | Conduit flexible..... | Schlauchleitung..... | Conducto..... | Slangledning..... | BR2, L = 3050MM | |
| 12 | VOE 4880492 | 1 | | | | O-ring..... | Joint Torique..... | O-Ring..... | Junta torica..... | O-ring..... | | |
| 13 | VOE 11172920 | 1 | | | | Restrictor..... | Etrangleur..... | Drosselung..... | Estrangulacion..... | Strypning..... | | |
| 14 | VOE 967749 | 1 | | | | O-ring..... | Joint Torique..... | O-Ring..... | Junta torica..... | O-ring..... | | |
| 15 | VOE 4881454 | 2 | | | | Marking Sleeve..... | Douill.marquage..... | Kennhulse..... | Manguit Marcaje..... | Märkhylsa..... | PINK | |
| | VOE 4881452 | 2 | | | | Marking Sleeve..... | Douill.marquage..... | Kennhulse..... | Manguit Marcaje..... | Märkhylsa..... | WHITE | |
| 16 | VOE 4881438 | 2 | | | | Strip Clamp..... | Ruban Serrage..... | Kabelbinder..... | Abraz Cinta..... | Bandklamma..... | | |
| 17 | | 2 | | | | Brake pipe..... | Conduit frein..... | Bremsleitung..... | Tubo freno..... | Bromsrör..... | See group 522, Page 511 | |
| 18 | | 1 | | | | Hose assembly..... | Condui.flexible..... | Schlauchleitung..... | Conducto..... | Slangledning..... | SP2 See group 522, Page 503 | |
| 19 | VOE 11182000 | 1 | | | | Hose assembly..... | Conduit flexible..... | Schlauchleitung..... | Conducto..... | Slangledning..... | BR1, L = 2200 MM | |
| 20 | VOE 4880492 | 1 | | | | O-ring..... | Joint Torique..... | O-Ring..... | Junta torica..... | O-ring..... | | |
| 21 | VOE 11172920 | 1 | | | | Restrictor..... | Etrangleur..... | Drosselung..... | Estrangulacion..... | Strypning..... | | |
| 22 | VOE 967749 | 1 | | | | O-ring..... | Joint Torique..... | O-Ring..... | Junta torica..... | O-ring..... | | |
| 23 | VOE 4881454 | 2 | | | | Marking Sleeve..... | Douill.marquage..... | Kennhulse..... | Manguit Marcaje..... | Märkhylsa..... | PINK | |
| | VOE 4881457 | 2 | | | | Marking Sleeve..... | Douill.marquage..... | Kennhulse..... | Manguit Marcaje..... | Märkhylsa..... | GREEN | |

| | | | | |
|---|--|---|-----------------------|------------|
| 1 | | Bromsledningar, fotbromsventil - axlar | Catalogue id | Group |
| 2 | | Conductos de freno, válvula de freno de pie - ejes | 20007 | 522 |
| 3 | | Bremsleitungen, Fussbremsventil - Achsen | Illustr. No | Section |
| 4 | | Conduits de frein, robinet frein à pied - essieux | 1009769 | 300 |
| 5 | | Brake lines, footbrake valve - axles | Issue | Page |
| | | STD, OPEN ROPS | VOE 63D9920007 | 507 |



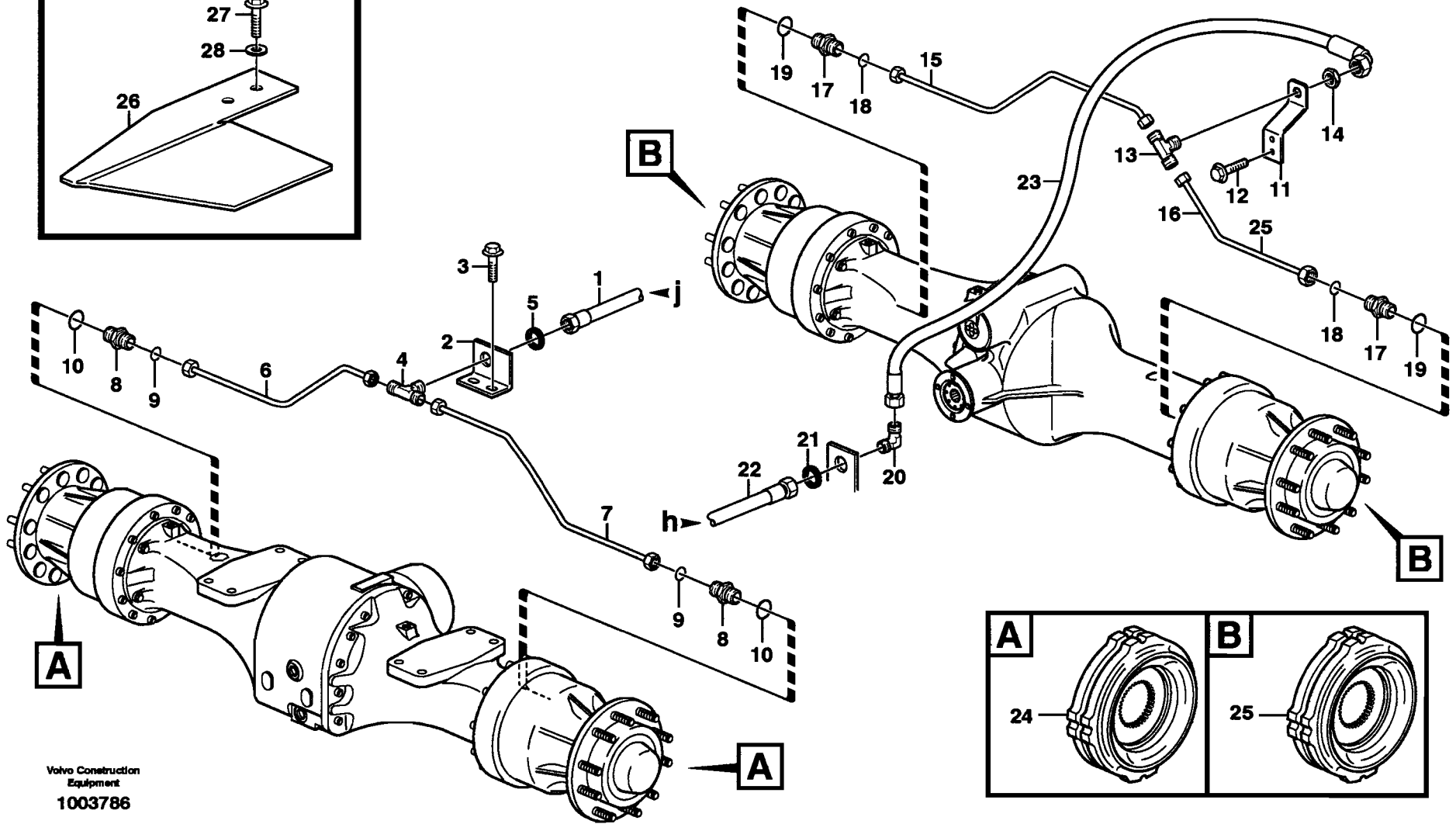
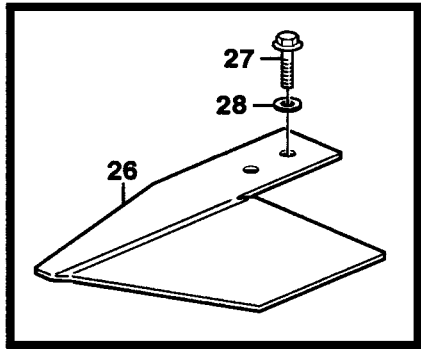
Volvo Construction
Equipment
1009769

| Fig. | Part No. | Quantity | | | P S | K T | Description | Dénomination | Bezeichnung | Denominación | Benämning | Notes |
|------|--------------|----------|---|---|--------|--------|-----------------------|-------------------------|------------------------|-----------------------|-----------------------|--|
| | | 1 | 2 | 3 | | | | | | | | |
| 24 | VOE 4881438 | 2 | | | | | Strip Clamp | Ruban Serrage | Kabelbinder | Abraz Cinta | Bandklamma | |
| 25 | | 2 | | | | | Brake pipe | Conduit frein | Bremsleitung | Tubo freno | Bromsrör | See group 522, Page 511 |
| 26 | | 1 | | | | | Hose assembly | Conduit flexible | Schlauchleitung | Conducto | Slangledning | T, L = 2100MM See group 911, Page 813 |
| 27 | VOE 13933936 | 1 | | | | | T-nipple | Raccord-t | T-Nippel | Niple T | T-nippel | |
| 28 | VOE 4880492 | 2 | | | | | •O-ring | •Joint Torique | •O-Ring | •Junta torica | •O-ring | |
| 29 | VOE 13933856 | 1 | | | | | Nipple | Raccord | Nippel | Niple | Nippel | |
| 30 | VOE 4880492 | 1 | | | | | •O-ring | •Joint Torique | •O-Ring | •Junta torica | •O-ring | |
| 31 | VOE 967749 | 1 | | | | | •O-ring | •Joint Torique | •O-Ring | •Junta torica | •O-ring | |
| 32 | VOE 13933865 | 1 | | | | | Elbow nipple | Raccord angulaire | Winkelnippel | Niple angular | Vinkelnippel | |
| 33 | VOE 4880492 | 1 | | | | | •O-ring | •Joint Torique | •O-Ring | •Junta torica | •O-ring | |
| 34 | | 1 | | | | | Hydr fluid tank | Reser.fluid.hy. | Druckölbehälter | Dep aceite hidr | Hydrauloljetank | See group 911, Page 795 |
| 35 | VOE 11170546 | 1 | | | | | Clamp | Pince Serrage | Klemme | Abrazadera | Klämma | |
| 36 | VOE 946440 | 1 | | | | | Flange screw | Vis à bride | Flanschschraube | Torn embridado | Flänsskruv | |
| 37 | VOE 11104606 | 1 | | | | | Retaining Strap | Courroi.serrage | Halteriemen | Correa Tensora | Spännrem | |
| 38 | VOE 11172048 | 1 | | | | | Hose assembly | Conduit flexible | Schlauchleitung | Conducto | Slangledning | L = 1600MM |
| 39 | VOE 935427 | 1 | | | | | Elbow nipple | Raccord angulaire | Winkelnippel | Niple angular | Vinkelnippel | |
| 40 | VOE 935429 | 1 | | | | | Lock nut | Contre-ecrou | Sicherungsmutter | Contratuercas | Låsmutter | |
| 41 | VOE 11148957 | 1 | | | | | Hose assembly | Conduit flexible | Schlauchleitung | Conducto | Slangledning | L = 450MM |

| | | | | |
|---|--|--|----------------|---------|
| 1 | | Bromsledningar, fotbromsventil - axlar | Catalogue id | Group |
| 2 | | Conductos de freno, válvula de freno de pie - ejes | 20007 | 522 |
| 3 | | Bremsleitungen, Fussbremsventil - Achsen | Illustr. No | Section |
| 4 | | Conduits de frein, robinet frein à pied - essieux | 1009769 | 300 |
| 5 | | Brake lines, footbrake valve - axles | Issue | Page |
| | | STD, OPEN ROPS | VOE 63D9920007 | 509 |

VOLVO

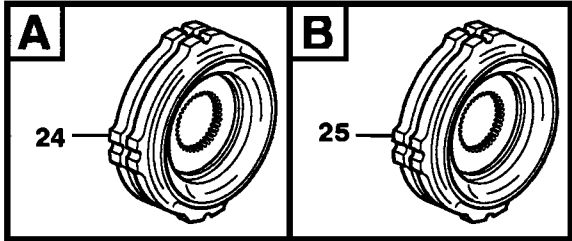
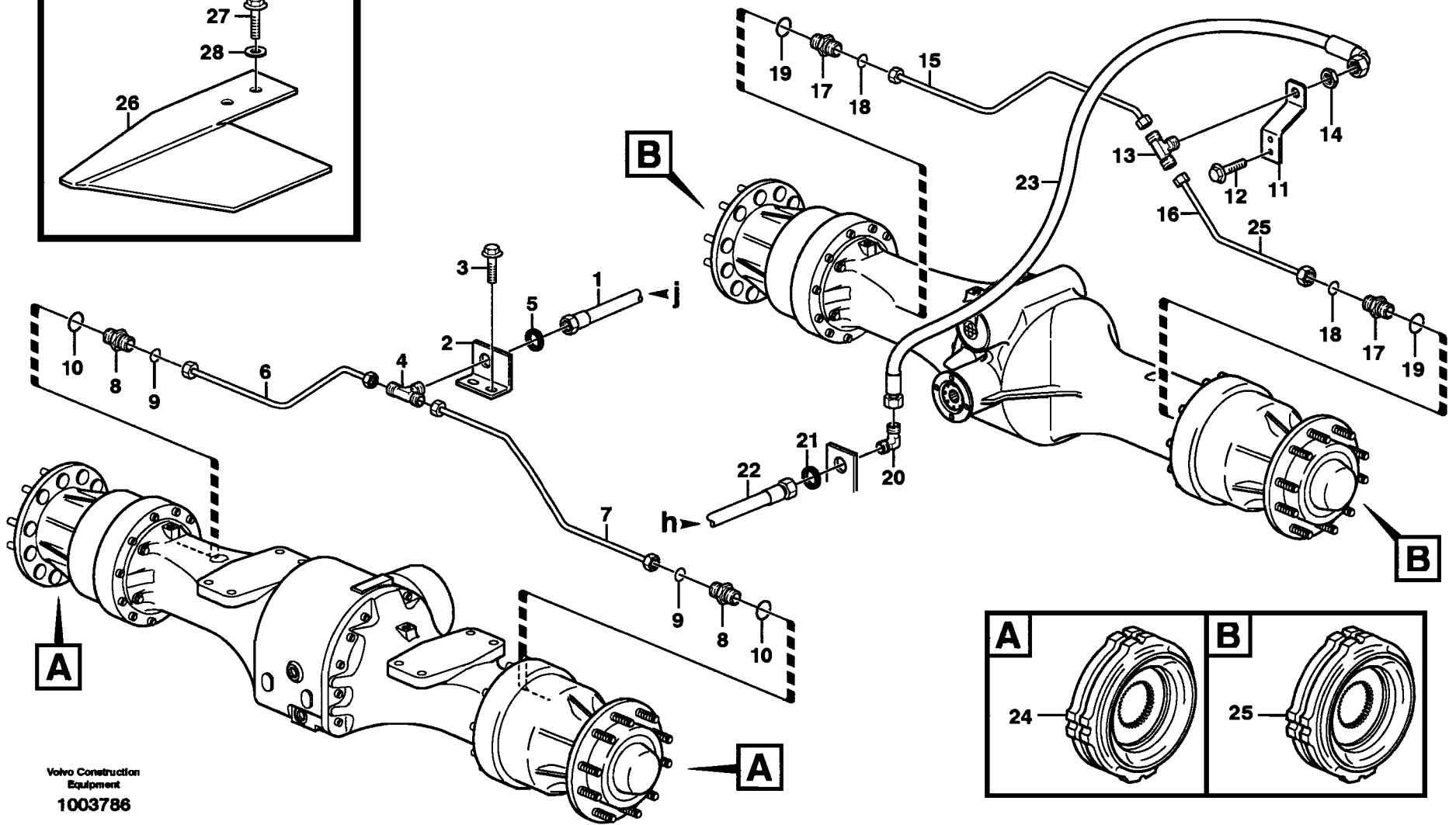
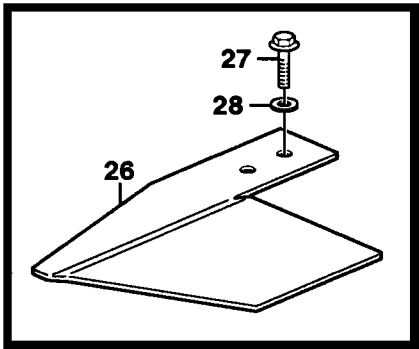
L90E



Volvo Construction
 Equipment
 1003786

| Fig. | Part No. | Quantity | | | P S | K T | Description | Dénomination | Bezeichnung | Denominación | Benämning | Notes |
|------|--------------|----------|---|---|--------|---------------------|---------------------------|------------------------|----------------------|---------------------|--------------------------------|-------|
| | | 1 | 2 | 3 | | | | | | | | |
| 1 | | 1 | | | | Hose assembly | Condui.flexible | Schlauchleitung..... | Conducto..... | Slangledning..... | BR2 See group 522, Page 507 | |
| 2 | VOE 11172950 | 1 | | | | Bracket..... | Console..... | Konsole | Ménsula..... | Konsol..... | | |
| 3 | VOE 946440 | 2 | | | | Flange screw..... | Vis à bride | Flanschschraube..... | Torn embridado..... | Flänsskruv..... | | |
| 4 | VOE 935604 | 1 | | | | T-nipple..... | Raccord-t | T-Nippel..... | Niple T..... | T-nippel..... | | |
| 5 | VOE 935429 | 1 | | | | Lock nut | Contre-ecrou | Sicherungsmutter | Contratuerca | Låsmutter..... | | |
| 6 | VOE 11172700 | 1 | | | | Brake Pipe | Conduit Frein | Bremsrohr | Tubo Freno..... | Bromsrör..... | RH | |
| 7 | VOE 11410229 | 2 | | | | Brake Pipe | Conduit Frein | Bremsrohr | Tubo Freno..... | Bromsrör..... | LH | |
| 8 | VOE 14345423 | 2 | | | | Nipple..... | Raccord..... | Nippel | Niple | Nippel..... | | |
| 9 | VOE 14211856 | 2 | | | | •Sealing ring..... | •Bague d'étanchéité | •Runddichtring..... | •Anillo reten | •Tättningsring..... | | |
| 10 | VOE 4880492 | 2 | | | | •O-ring..... | •Joint Torique | •O-Ring..... | •Junta torica | •O-ring..... | | |
| 11 | VOE 11173934 | 1 | | | | Bracket..... | Console..... | Konsole | Ménsula..... | Konsol..... | | |
| 12 | VOE 946440 | 2 | | | | Flange screw..... | Vis à bride | Flanschschraube..... | Torn embridado..... | Flänsskruv..... | | |
| 13 | VOE 935604 | 1 | | | | T-nipple..... | Raccord-t | T-Nippel..... | Niple T..... | T-nippel..... | | |
| 14 | VOE 935429 | 1 | | | | Lock nut | Contre-ecrou | Sicherungsmutter | Contratuerca | Låsmutter..... | | |
| 15 | VOE 11172704 | 1 | | | | Brake Pipe | Conduit Frein | Bremsrohr | Tubo Freno..... | Bromsrör..... | RH | |
| 16 | VOE 11172706 | 1 | | | | Brake Pipe | Conduit Frein | Bremsrohr | Tubo Freno..... | Bromsrör..... | LH | |
| 17 | VOE 14345423 | 2 | | | | Nipple..... | Raccord..... | Nippel | Niple | Nippel..... | | |
| 18 | VOE 14211856 | 2 | | | | •Sealing ring..... | •Bague d'étanchéité | •Runddichtring..... | •Anillo reten | •Tättningsring..... | | |
| 19 | VOE 4880492 | 2 | | | | •O-ring..... | •Joint Torique | •O-Ring..... | •Junta torica | •O-ring..... | | |
| 20 | VOE 935427 | 1 | | | | Elbow nipple..... | Raccord angulaire..... | Winkelnippel..... | Niple angular | Vinkelnippel..... | | |
| 21 | VOE 935429 | 1 | | | | Lock nut | Contre-ecrou | Sicherungsmutter | Contratuerca | Låsmutter..... | | |
| 22 | | 1 | | | | Hose assembly | Conduit flexible | Schlauchleitung..... | Conducto..... | Slangledning..... | BR1 See group 522, Page 507 | |
| 23 | | 1 | | | | Hose assembly | Conduit flexible | Schlauchleitung..... | Conducto..... | Slangledning..... | See group 522, Page 507 | |
| 24 | | 1 | | | | Brake Disc..... | Disque Frein..... | Bremslamelle | Disco De Freno | Bromslamell..... | See group 516, Page 499 | |
| 25 | | 1 | | | | Brake Disc..... | Disque Frein..... | Bremslamelle | Disco De Freno | Bromslamell..... | See group 517, Page 501 | |
| 26 | VOE 11410455 | 1 | | | | Brake Shield..... | Couvre-frein | Bremsenschutz | Proteccion Fren..... | Bromsskydd..... | | |
| | VOE 11410456 | 1 | | | | Brake Shield..... | Couvre-frein | Bremsenschutz | Proteccion Fren..... | Bromsskydd..... | | |
| 27 | VOE 946329 | 4 | | | | Flange screw..... | Vis à bride | Flanschschraube..... | Torn embridado..... | Flänsskruv..... | | |

| | | | | |
|---|--|--|-----------------------|------------|
| 1 | | Bromsrör, framaxel och bakaxel | Catalogue id | Group |
| 2 | | Tubos de freno, ejes delantero y trasero | 20007 | 522 |
| 3 | | Bremsleitung, Vorder- und Hinterachse | Illustr. No | Section |
| 4 | | Conduit de frein, essieu avant - essieu arrière | 1003786 | 325 |
| 5 | | Brake pipes, front axle and rear axle | Issue | Page |
| | | STD, OPEN ROPS | VOE 63D9920007 | 511 |



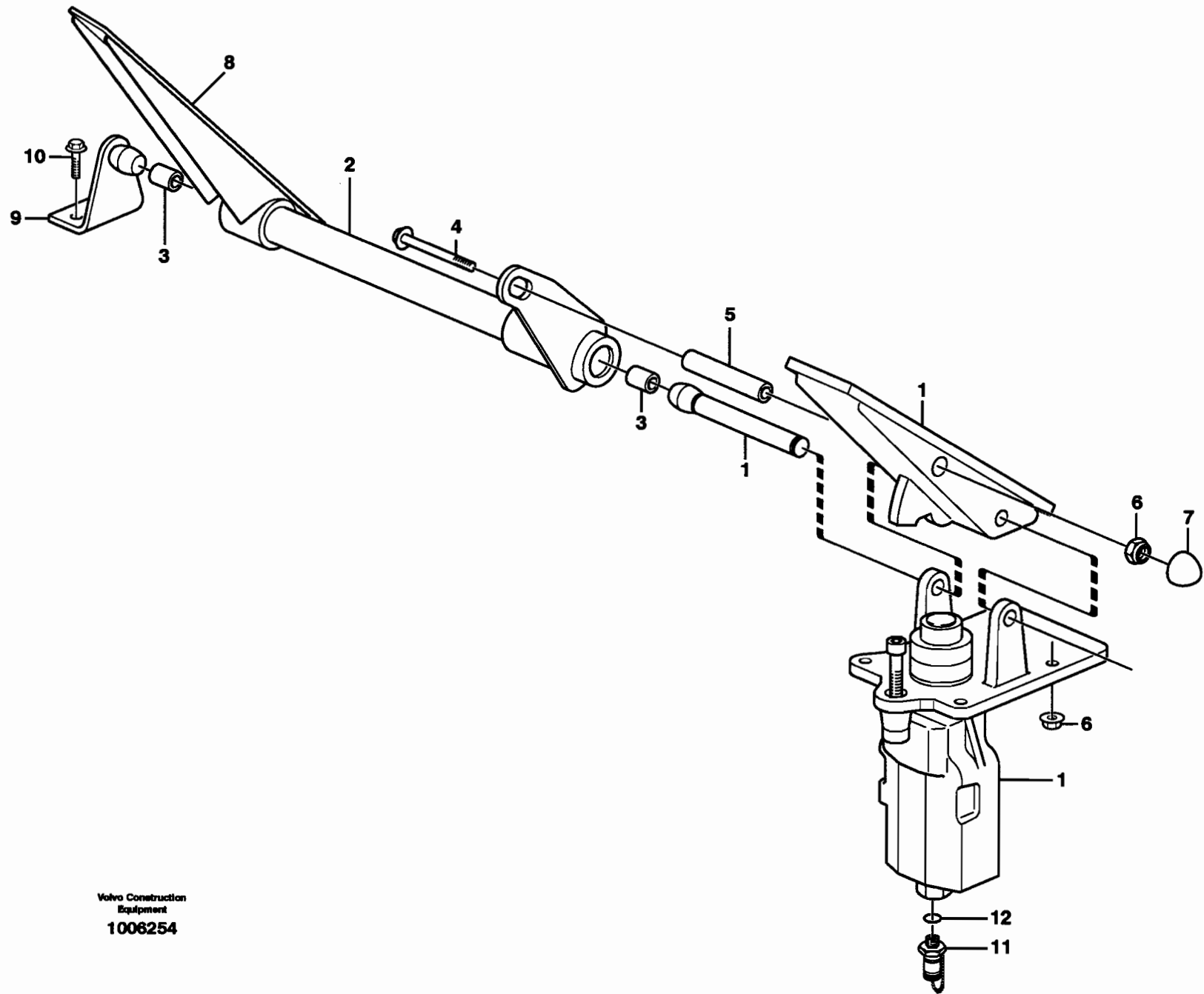
Volvo Construction
Equipment
1003786

| Fig. | Part No. | Quantity | | | P S | K I T | Description | Dénomination | Bezeichnung | Denominación | Benämning | Notes |
|------|--------------|----------|---|---|--------|-------------|-------------|---------------|--------------|---------------|-------------|-------|
| | | 1 | 2 | 3 | | | | | | | | |
| 28 | VOE 13960143 | 4 | | | | | Washer..... | Rondelle..... | Scheibe..... | Arandela..... | Bricka..... | |

| | | | | |
|---|--|---|----------------|---------|
| 1 | | Bromsrör, framaxel och bakaxel | Catalogue id | Group |
| 2 | | Tubos de freno, ejes delantero y trasero | 20007 | 522 |
| 3 | | Bremsleitung, Vorder- und Hinterachse | Illustr. No | Section |
| 4 | | Conduit de frein, essieu avant - essieu arrière | 1003786 | 325 |
| 5 | | Brake pipes, front axle and rear axle | Issue | Page |
| | | STD, OPEN ROPS | VOE 63D9920007 | 513 |

VOLVO

L90E



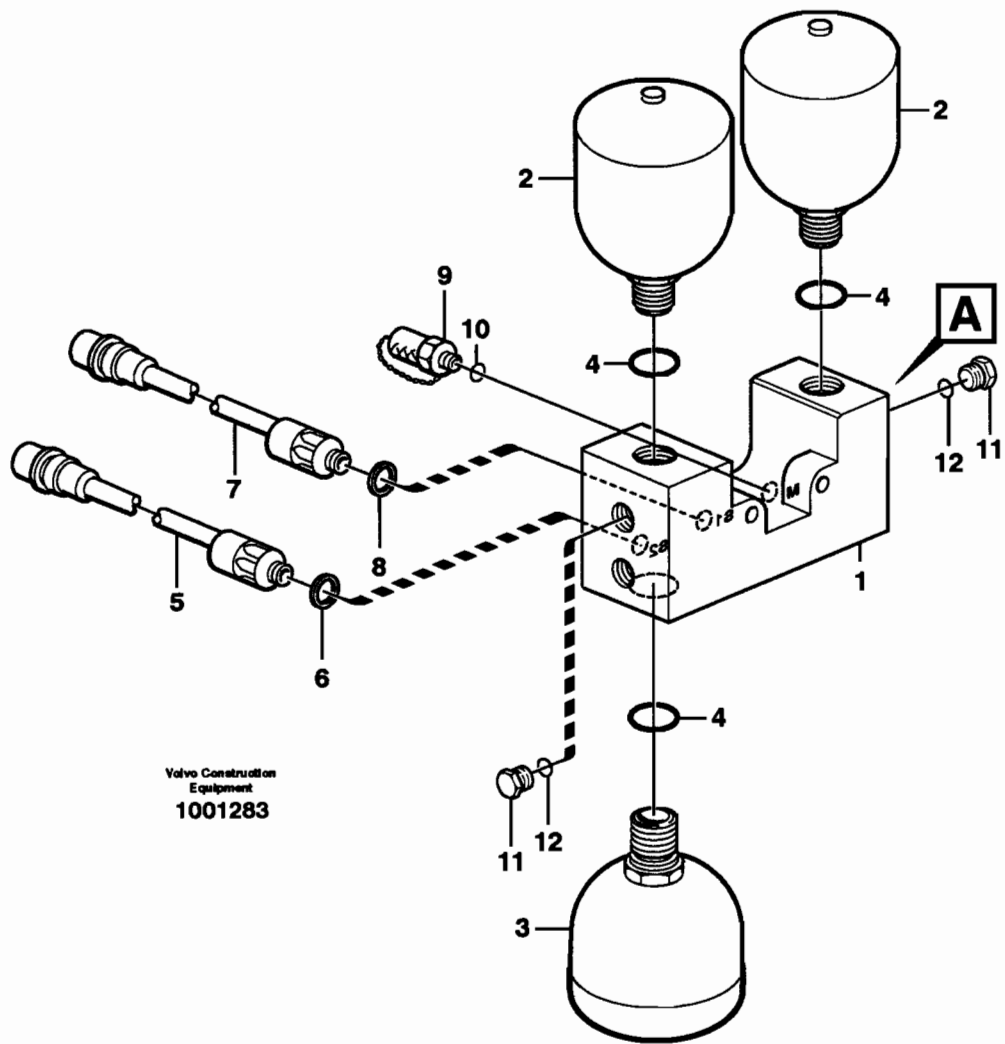
Volvo Construction
Equipment
1006254

| Fig. | Part No. | Quantity | | | P S | K T | Description | Dénomination | Bezeichnung | Denominación | Benämning | Notes |
|------|--------------|----------|---|---|--------|--------|----------------------|---------------------------|----------------------|--------------------------|---------------------|-------|
| | | 1 | 2 | 3 | | | | | | | | |
| 1 | VOE 11410418 | 1 | | | | | Footbrake Valve..... | Robinet Frein A Pied.. | Fussbremsventil..... | Valvula Freno Pie..... | Fotbromsventil..... | |
| 2 | VOE 11005990 | 1 | | | | | Pedal..... | Pedale..... | Pedal..... | Pedal..... | Pedal..... | |
| 3 | VOE 958668 | 2 | | | | | •Bushing..... | •Bague..... | •Buchse..... | •Casquillo..... | •Bussning..... | |
| 4 | VOE 13965184 | 1 | | | | | Flange screw..... | Vis a bride..... | Flanschschaube..... | Torn embridado..... | Flänsskruv..... | |
| 5 | VOE 11006430 | 1 | | | | | Spacer..... | Entretoise..... | Abstandstueck..... | Casquillo distanciad .. | Distans..... | |
| 6 | VOE 948645 | 4 | | | | | Flange Lock Nut..... | Contre écrou bride | Flanschmutter | Contratuer Embr..... | Flänslåsmutter..... | |
| 7 | VOE 11006824 | 1 | | | | | Protective cap | Capuchon de protecti..... | Schutzkappe | Cubierta de protecció .. | Skyddshatt..... | |
| 8 | VOE 11998442 | 1 | | | | | Rubber Plate..... | Plaque Caoutchouc..... | Gummiplatte..... | Placa Goma | Gummiplatta..... | |
| 9 | VOE 11006248 | 1 | | | | | Anchorage..... | Fixation | Halterung..... | Fijacion | Fäste..... | |
| 10 | VOE 13945444 | 2 | | | | | Flange screw..... | Vis à bride..... | Flanschschaube..... | Torn embridado..... | Flänsskruv..... | |
| 11 | VOE 936443 | 1 | | | | | Testing Nipple..... | Raccord contrôle..... | Prufnippel..... | Niple Medicion..... | Mät nipple..... | |
| 12 | VOE 13960211 | 1 | | | | | •O-ring..... | •Joint Torique..... | •O-Ring..... | •Junta torica | •O-ring..... | |

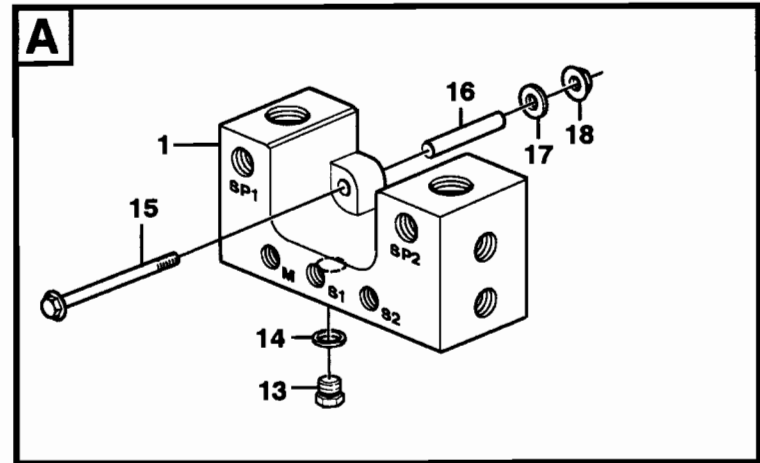
| | | | | |
|---|--|---|-----------------------|------------|
| 1 | | Dubbla bromspedaler Pedales de freno, dobles Doppelte Bremspedale Pédales de frein couplées Dual brake pedals STD, OPEN ROPS | Catalogue id | Group |
| 2 | | | 20007 | 525 |
| 3 | | | Illustr. No | Section |
| 4 | | | 1006254 | 100 |
| 5 | | | Issue | Page |
| | | | VOE 63D9920007 | 515 |

VOLVO

L90E



Valve Construction
 Equipment
 1001283

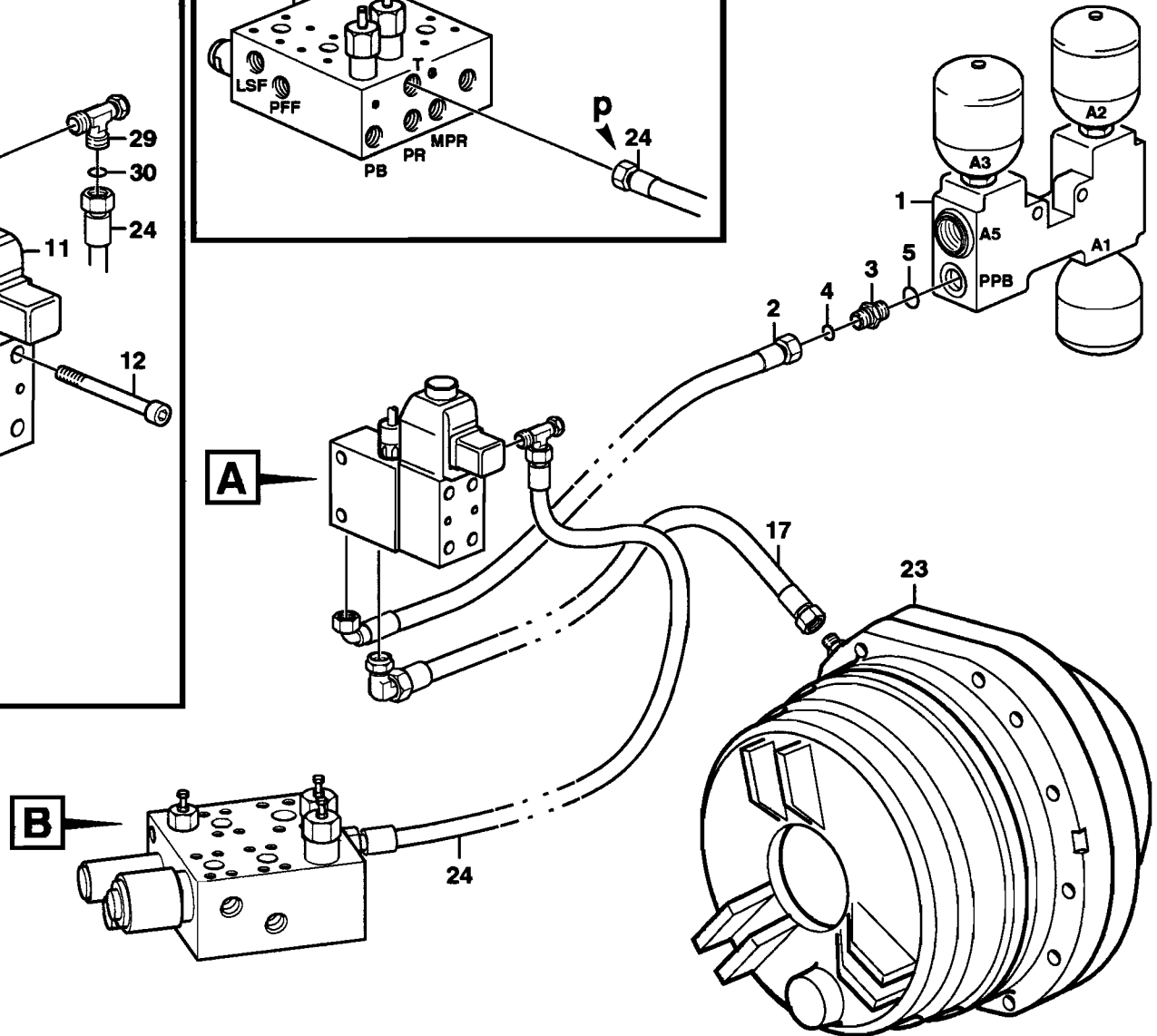
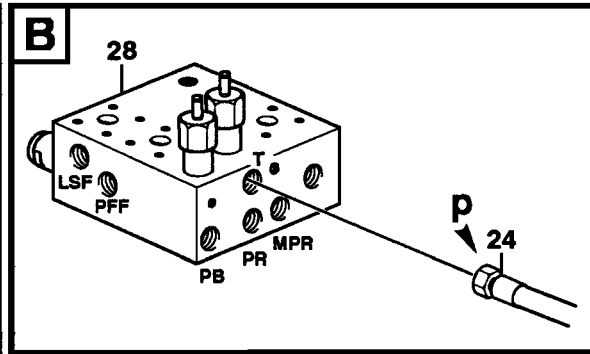
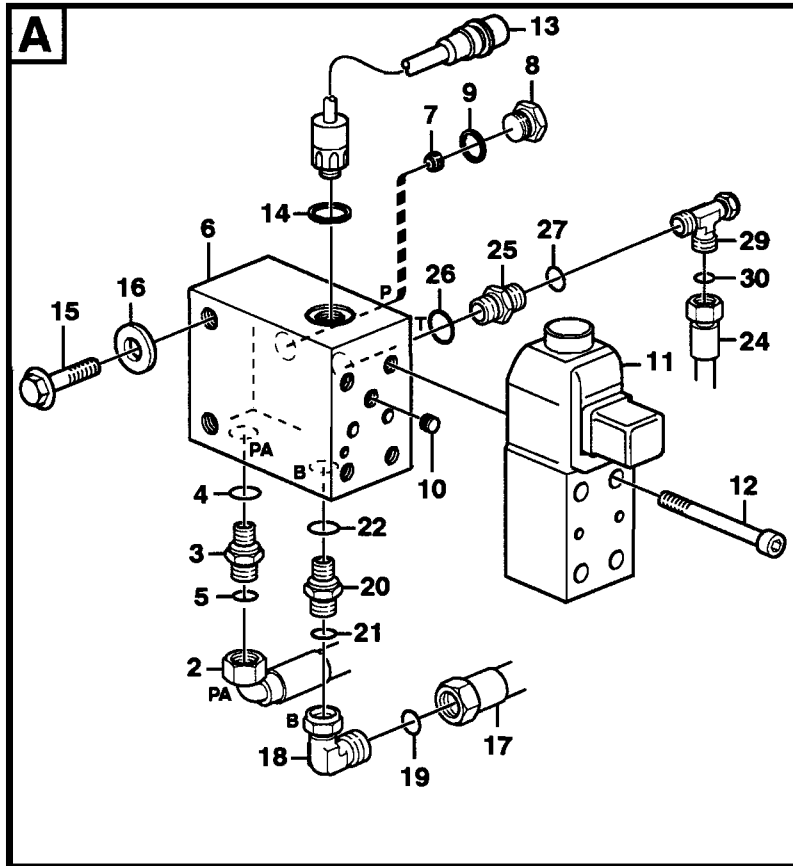


| Fig. | Part No. | Quantity | | | P S | K T | Description | Dénomination | Bezeichnung | Denominación | Benämning | Notes |
|------|--------------|----------|---|---|--------|--------|---------------------|-----------------------|----------------------|-------------------------|--------------------|----------------|
| | | 1 | 2 | 3 | | | | | | | | |
| 1 | VOE 11148622 | 1 | | | | | Valve Housing..... | Carter Soupape..... | Ventilgehäuse | Cuerpo Valvula..... | Ventilhus..... | |
| 2 | VOE 11173688 | 2 | | | | | Accumulator..... | Accumulateur..... | Speicher | Acumulador | Ackumulator..... | |
| 3 | VOE 11173693 | 1 | | | | | Accumulator..... | Accumulateur..... | Speicher | Acumulador | Ackumulator..... | |
| 4 | VOE 13967752 | 3 | | | | | O-ring..... | Joint Torique | O-Ring..... | Junta torica..... | O-ring..... | |
| 5 | VOE 11170090 | 1 | | | | | Press Monitor..... | Capteu.pression..... | Druckwächter | Avisador Pres..... | Tryckvakt..... | SE504 |
| | VOE 11170743 | 1 | | | | | Cable harness..... | Faisceau cables..... | Kabelbaum | Manojo cables..... | Ledningsmatta..... | |
| 6 | VOE 13945653 | 1 | | | | | Plane Gasket..... | Joint Plan | Flachdichtung..... | Junta Plana | Planpackning..... | |
| 7 | VOE 11170072 | 1 | | | | | Press Monitor..... | Capteu.pression..... | Druckwächter | Avisador Pres..... | Tryckvakt..... | SE502 |
| 8 | VOE 13945653 | 1 | | | | | Plane Gasket..... | Joint Plan | Flachdichtung..... | Junta Plana | Planpackning..... | |
| 9 | VOE 936444 | 1 | | | | | Testing Nipple..... | Raccord contrôle..... | Prufnippel..... | Niple Medicion..... | Mätnippel..... | (VOE 13933251) |
| 10 | VOE 13960213 | 1 | | | | | •O-ring..... | •Joint Torique | •O-Ring..... | •Junta torica | •O-ring..... | |
| 11 | VOE 968612 | 2 | | | | | Plug..... | Bouchon..... | Stopfen..... | Tapon | Plugg..... | |
| 12 | VOE 13967752 | 2 | | | | | O-ring..... | Joint Torique | O-Ring..... | Junta torica..... | O-ring..... | |
| 13 | VOE 960630 | 1 | | | | | Lock Plug..... | Tampon Verroui. | Verschlusschraube... | Tapon Seguridad..... | Låsplugg..... | |
| 14 | VOE 13945653 | 1 | | | | | Plane Gasket..... | Joint Plan | Flachdichtung..... | Junta Plana | Planpackning..... | |
| 15 | VOE 968237 | 2 | | | | | Flange screw..... | Vis à bride | Flanschschraube..... | Torn embridado..... | Flänskruv..... | |
| 16 | VOE 11172458 | 2 | | | | | Spacer..... | Entretoise..... | Abstandstueck..... | Casquillo distanciad .. | Distans..... | |
| 17 | VOE 13960143 | 2 | | | | | Washer..... | Rondelle..... | Scheibe | Arandela | Bricka..... | |
| 18 | VOE 13971098 | 2 | | | | | Flange nut..... | Ecrou accouple. | Bundmutter..... | Tuerca embridad | Flänsmutter..... | |

| | | | | |
|---|--|--|-----------------------|------------|
| 1 | | Ventil och ackumulatorer Válvula y acumulador Ventil und Speicher Soupape et accu Valve and accumulators STD, OPEN ROPS | Catalogue id | Group |
| 2 | | | 20007 | 527 |
| 3 | | | Illustr. No | Section |
| 4 | | | 1001283 | 200 |
| 5 | | | Issue | Page |
| | | | VOE 63D9920007 | 517 |

VOLVO

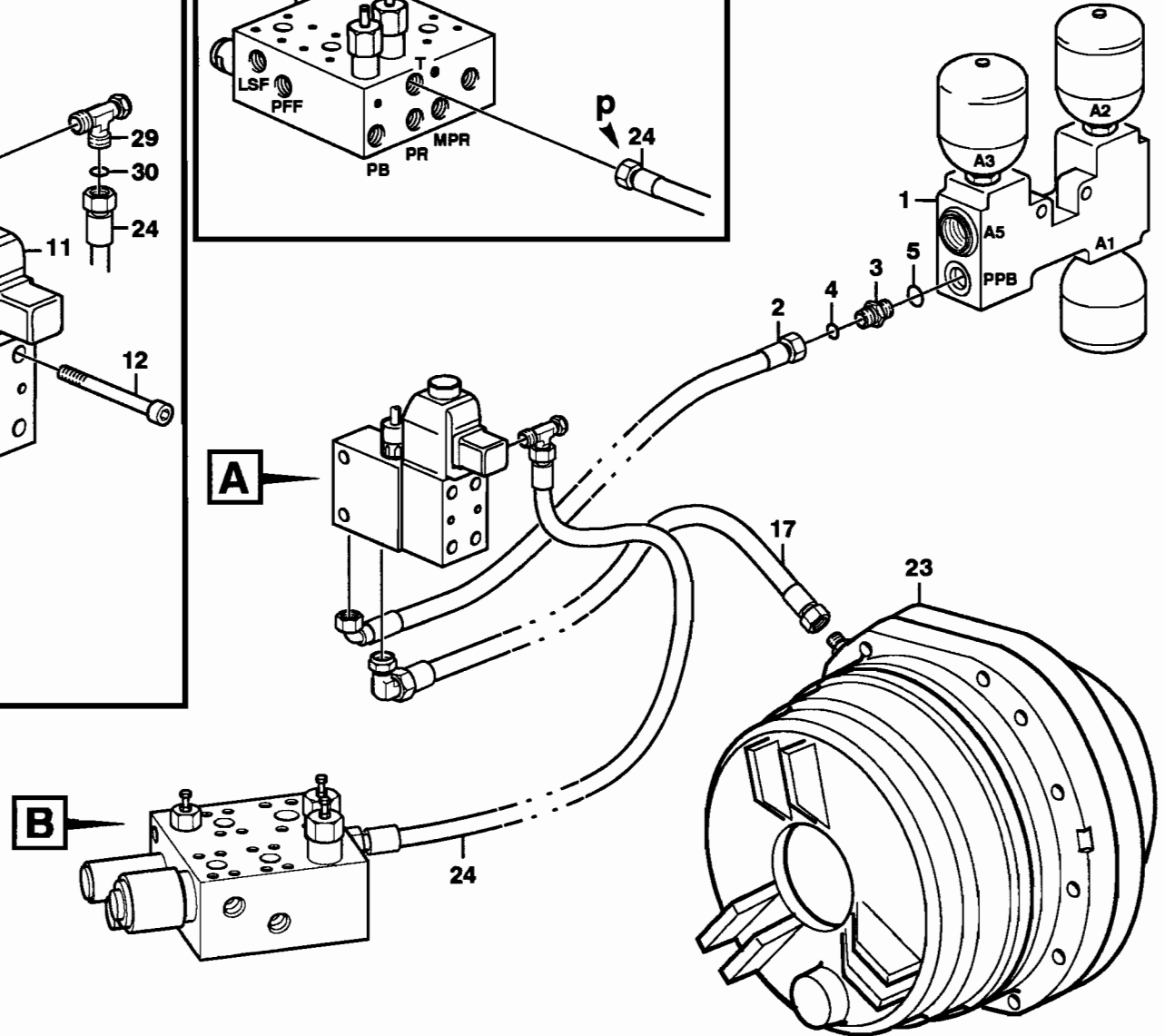
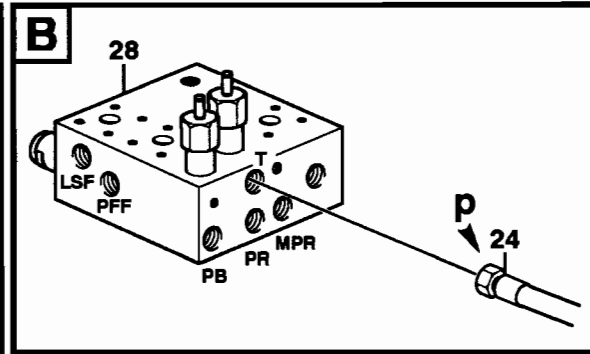
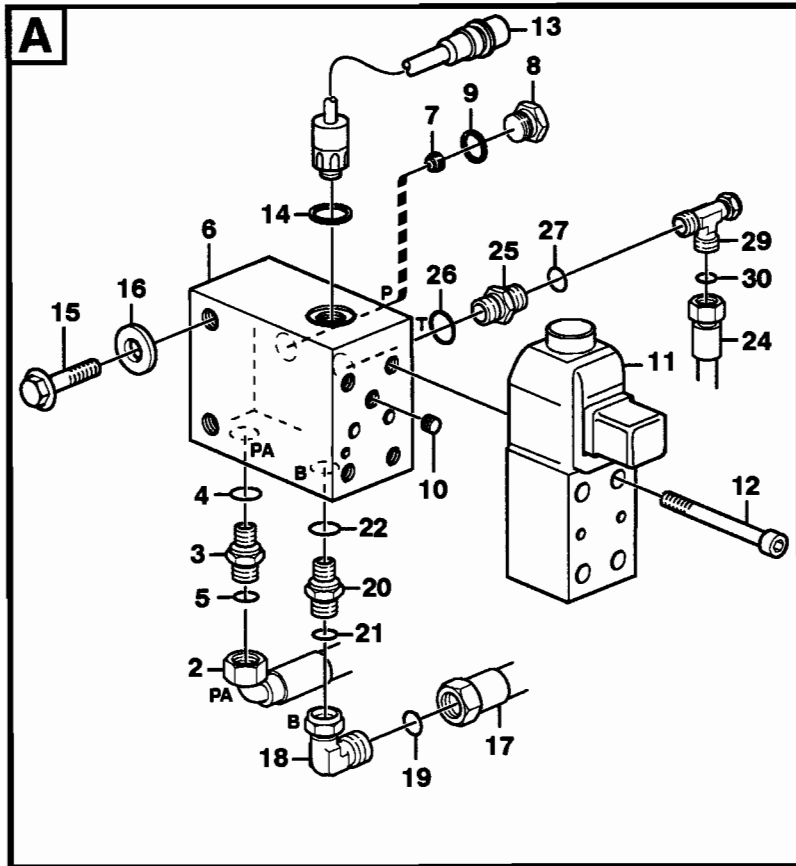
L90E



Volvo Construction
Equipment
1003758

| Fig. | Part No. | Quantity | | | P S | K I T | Description | Dénomination | Bezeichnung | Denominación | Benämning | Notes |
|------|--------------|----------|---|---|--------|----------------------|---------------------------|-------------------------|-----------------------------|-----------------------|-------------------------|-------|
| | | 1 | 2 | 3 | | | | | | | | |
| 1 | | 1 | | | | Valve housing | Carter soupape | Ventilgehäuse | Cuerpo valvula | Ventilhus | See group 527, Page 517 | |
| 2 | VOE 11147978 | 1 | | | | Hose assembly | Conduit flexible | Schlauchleitung | Conducto | Slangledning | PPB - PA, L = 500MM | |
| 3 | VOE 14345423 | 2 | | | | Nipple | Raccord | Nippel | Niple | Nippel | | |
| 4 | VOE 4880492 | 2 | | | | •O-ring | •Joint Torique | •O-Ring | •Junta torica | •O-ring | | |
| 5 | VOE 14211856 | 2 | | | | •Sealing ring | •Bague d'étanchéité | •Runddichtring | •Anillo reten | •Tätningssring | | |
| 6 | VOE 11173805 | 1 | | | | Conn Block | Bloc Raccord | Anschlusssockel | Bloque Conector | Anslutn.block | | |
| 7 | VOE 11130749 | 1 | | | | •Check valve | •Valve antiretour | •Rückschlagventil | •Válvula de retención | •Backventil | | |
| 8 | VOE 960630 | 1 | | | | Lock Plug | Tampon Verroui | Verschlusschraube | Tapon Seguridad | Låsplugg | | |
| 9 | VOE 13945653 | 1 | | | | Plane Gasket | Joint Plan | Flachdichtung | Junta Plana | Planpackning | | |
| 10 | VOE 11994275 | 1 | | | | Restrictor | Etrangleur | Drosselung | Estrangulacion | Strypning | | |
| 11 | VOE 11173169 | 1 | | | | Solenoid valve | Vanne electrom | Magnetventil | Electrovalvula | Magnetventil | MA501 | |
| | VOE 11708930 | 1 | | | | •Magnet | •Aimant | •Magnet | •Iman | •Magnet | | |
| | VOE 11993637 | 1 | | | | •Sealing Kit | •Jeu Joints | •Dichtungssatz | •Juego Retenes | •Tätningssats | | |
| 12 | VOE 959193 | 4 | | | | Allen Hd Screw | Vis A 6 Pans Cr | Inbusschraube | Torn Hex Embut | Insexskruv | | |
| 13 | VOE 11170071 | 1 | | | | Press Monitor | Capteur pression | Druckwächter | Avisador Pres | Tryckvakt | SE503 | |
| 14 | VOE 976928 | 1 | | | | Gasket | Joint | Dichtung | Junta | Packning | | |
| 15 | VOE 13945444 | 2 | | | | Flange screw | Vis à bride | Flanschschraube | Torn embridado | Flänskskruv | | |
| 16 | VOE 13960141 | 2 | | | | Washer | Rondelle | Scheibe | Arandela | Bricka | | |
| 17 | VOE 11173211 | 1 | | | | Hose assembly | Conduit flexible | Schlauchleitung | Conducto | Slangledning | B, L = 1150MM | |
| 18 | VOE 13933900 | 1 | | | | Elbow nipple | Raccord angulaire | Winkelrippel | Niple angular | Vinkelrippel | | |
| 19 | VOE 4880492 | 1 | | | | O-ring | Joint Torique | O-Ring | Junta torica | O-ring | | |
| 20 | VOE 14345423 | 1 | | | | Nipple | Raccord | Nippel | Niple | Nippel | | |
| 21 | VOE 4880492 | 1 | | | | •O-ring | •Joint Torique | •O-Ring | •Junta torica | •O-ring | | |
| 22 | VOE 14211856 | 1 | | | | •Sealing ring | •Bague d'étanchéité | •Runddichtring | •Anillo reten | •Tätningssring | | |
| 23 | | 1 | | | | Parking brake | Frein parking | Feststellbremse | Freio estacion | Parkeringsbroms | See group 434, Page 445 | |
| 24 | VOE 11173259 | 1 | | | | Hose assembly | Conduit flexible | Schlauchleitung | Conducto | Slangledning | T, L = 970MM | |
| 25 | VOE 14345423 | 1 | | | | Nipple | Raccord | Nippel | Niple | Nippel | | |
| 26 | VOE 4880492 | 1 | | | | •O-ring | •Joint Torique | •O-Ring | •Junta torica | •O-ring | | |
| 27 | VOE 14211856 | 1 | | | | •Sealing ring | •Bague d'étanchéité | •Runddichtring | •Anillo reten | •Tätningssring | | |
| 28 | | 1 | | | | Valve block | Bloc-soupape | Ventilblock | Bloque de valvula | Ventilblock | See group 912, Page 823 | |

| | | | |
|---|--|----------------|------------|
| 1 | Parkeringsbromssystem Sistema de freno de estacionamiento Feststellbremssystem Système frein de stationnement Parking brake system STD, 33286 OPEN ROPS | Catalogue id | Group |
| 2 | | 20007 | 551 |
| 3 | | Illustr. No | Section |
| 4 | | 1003758 | 250 |
| 5 | | Issue | Page |
| | | VOE 63D9920007 | 519 |



| Fig. | Part No. | Quantity | | | P S | K T | Description | Dénomination | Bezeichnung | Denominación | Benämning | Notes |
|------|--------------|----------|---|---|--------|--------|----------------|---------------------|---------------|---------------------|---------------|-------|
| | | 1 | 2 | 3 | | | | | | | | |
| 29 | VOE 13933936 | 1 | | | | | T-nipple | Raccord-t | T-Nippel..... | Niple T..... | T-nippel..... | |
| 30 | VOE 4880492 | 1 | | | | | •O-ring..... | •Joint Torique..... | •O-Ring..... | •Junta torica | •O-ring..... | |

| | | | |
|---|--|----------------|------------|
| 1 | Parkeringsbromssystem Sistema de freno de estacionamiento Feststellbremssystem Système frein de stationnement Parking brake system STD, 33286 OPEN ROPS | Catalogue id | Group |
| 2 | | 20007 | 551 |
| 3 | | Illustr. No | Section |
| 4 | | 1003758 | 250 |
| 5 | | Issue | Page |
| | | VOE 63D9920007 | 521 |

VOLVO

L90E

VOLVO

Construction Equipment

(

(

(

(

(

(

(

| GROUP | | Section | Page | GROUP | Section | Page |
|-------|---|---------|------|-------|---------|------|
| 641 | Steering column with fitting parts | 100 | 529 | | | |
| 641 | Adjustable steering wheel 80322, OPEN ROPS, CAB - 1989 | 150 | 531 | | | |
| 641 | Adjustable steering wheel. 80322, OPEN ROPS, CAB 1990 - | 200 | 533 | | | |
| 645 | Steering system STD, OPEN ROPS..... | 100 | 535 | | | |
| 645 | Hydraulic cylinder with fitting parts STD, OPEN ROPS | 150 | 543 | | | |
| 645 | Hydraulic cylinder STD, OPEN ROPS | 200 | 545 | | | |
| 645 | Shift valve with fitting parts STD, OPEN ROPS..... | 300 | 547 | | | |
| 645 | Shift valve STD, OPEN ROPS..... | 350 | 551 | | | |
| 645 | Steering unit STD, OPEN ROPS | 400 | 553 | | | |
| 645 | Valve body STD, OPEN ROPS..... | 450 | 555 | | | |
| 647 | Secondary steering system. 80932..... | 100 | 557 | | | |
| 647 | Pump unit. 80932 | 150 | 561 | | | |
| 647 | Pressure monitor. 80932..... | 200 | 563 | | | |
| 660 | CDC - steering 80929 | 100 | 565 | | | |
| 660 | Relief valve. 80929 | 150 | 569 | | | |

| | | |
|--------------------------|--------------------------------|---------------------|
| INDEX OF CONTENTS | Catalogue id 20007 | Group 600 |
| | Issue VOE 63D9920007 | Page 523 |

VOLVO

L90E

TABLE DES MATIÈRES

| | |
|--------------------------------|---------------------|
| Catalogue id 20007 | Group 600 |
| Issue VOE 63D9920007 | Page 524 |

| GROUPE | Section | Page | GROUPE | Section | Page |
|--------|--|------|--------|---------|------|
| 641 | Colonne de direction avec pièces de montage | 100 | 529 | | |
| 641 | Volant réglable 80322, OPEN ROPS, CAB - 1989 | 150 | 531 | | |
| 641 | Volant réglable. 80322, OPEN ROPS, CAB 1990 - | 200 | 533 | | |
| 645 | Système de direction STD, OPEN ROPS | 100 | 535 | | |
| 645 | Vérins hydrauliques avec pièces de montage STD, OPEN ROPS.... | 150 | 543 | | |
| 645 | Vérins hydrauliques STD, OPEN ROPS | 200 | 545 | | |
| 645 | Valve de sélection avec pièces de montage STD, OPEN ROPS | 300 | 547 | | |
| 645 | Valve de sélection STD, OPEN ROPS | 350 | 551 | | |
| 645 | Distributeur de direction STD, OPEN ROPS | 400 | 553 | | |
| 645 | Bloc-soupapes STD, OPEN ROPS..... | 450 | 555 | | |
| 647 | Direction de secours. 80932 | 100 | 557 | | |
| 647 | Groupe pompe-moteur. 80932..... | 150 | 561 | | |
| 647 | Capteur pression. 80932..... | 200 | 563 | | |
| 660 | CDC - direction 80929 | 100 | 565 | | |
| 660 | Soupape. 80929..... | 150 | 569 | | |



| GRUPPE | Abschnitt | Seite | GRUPPE | Abschnitt | Seite |
|--------|--|-------|--------|-----------|-------|
| 641 | Lenksäule mit Montageteilen | 100 | | | 529 |
| 641 | Verstellbares Lenkrad 80322, OPEN ROPS, CAB - 1989 | 150 | | | 531 |
| 641 | Lenkrad, verstellbar. 80322, OPEN ROPS, CAB 1990 - | 200 | | | 533 |
| 645 | Lenksystem STD, OPEN ROPS | 100 | | | 535 |
| 645 | Druckölzylinder mit anbauteilen STD, OPEN ROPS | 150 | | | 543 |
| 645 | Hydraulikzylinder STD, OPEN ROPS | 200 | | | 545 |
| 645 | Schiebeventil mit Montageteilen STD, OPEN ROPS..... | 300 | | | 547 |
| 645 | Schiebeventil STD, OPEN ROPS | 350 | | | 551 |
| 645 | Lenkventil STD, OPEN ROPS | 400 | | | 553 |
| 645 | Ventilgruppe STD, OPEN ROPS | 450 | | | 555 |
| 647 | Hilfenkung. 80932 | 100 | | | 557 |
| 647 | Pumpaggregat. 80932 | 150 | | | 561 |
| 647 | Druckwächter. 80932 | 200 | | | 563 |
| 660 | CDC - Lenkung 80929 | 100 | | | 565 |
| 660 | Ventil. 80929 | 150 | | | 569 |

| | | |
|---------------------------|--------------------------------|---------------------|
| INHALTSVERZEICHNIS | Catalogue id 20007 | Group 600 |
| | Issue VOE 63D9920007 | Page 525 |

VOLVO

L90E

INDICE

| | |
|--------------------------------|---------------------|
| Catalogue id 20007 | Group 600 |
| Issue VOE 63D9920007 | Page 526 |

| GRUPO | Sección | Página | GRUPO | Sección | Página |
|-------|--|--------|-------|---------|--------|
| 641 | Columna de dirección con accesorios de montaje | 100 | 529 | | |
| 641 | Volante regulable 80322, OPEN ROPS, CAB - 1989 | 150 | 531 | | |
| 641 | Volante de ajustable. 80322, OPEN ROPS, CAB 1990 - | 200 | 533 | | |
| 645 | Sistema de dirección STD, OPEN ROPS | 100 | 535 | | |
| 645 | Cilindros hidráulicos con accesorios de montaje STD, OPEN ROPS | 150 | 543 | | |
| 645 | Cilindros hidráulicos STD, OPEN ROPS | 200 | 545 | | |
| 645 | Válvula de cambio con accesorios de montaje STD, OPEN ROPS .. | 300 | 547 | | |
| 645 | Válvula de cambio STD, OPEN ROPS | 350 | 551 | | |
| 645 | Válvula de dirección STD, OPEN ROPS | 400 | 553 | | |
| 645 | Bloque de válvulas STD, OPEN ROPS | 450 | 555 | | |
| 647 | Dirección de emergencia. 80932 | 100 | 557 | | |
| 647 | Unid de bomba. 80932 | 150 | 561 | | |
| 647 | Monitor presión. 80932 | 200 | 563 | | |
| 660 | CDC - dirección 80929 | 100 | 565 | | |
| 660 | Válvula. 80929 | 150 | 569 | | |

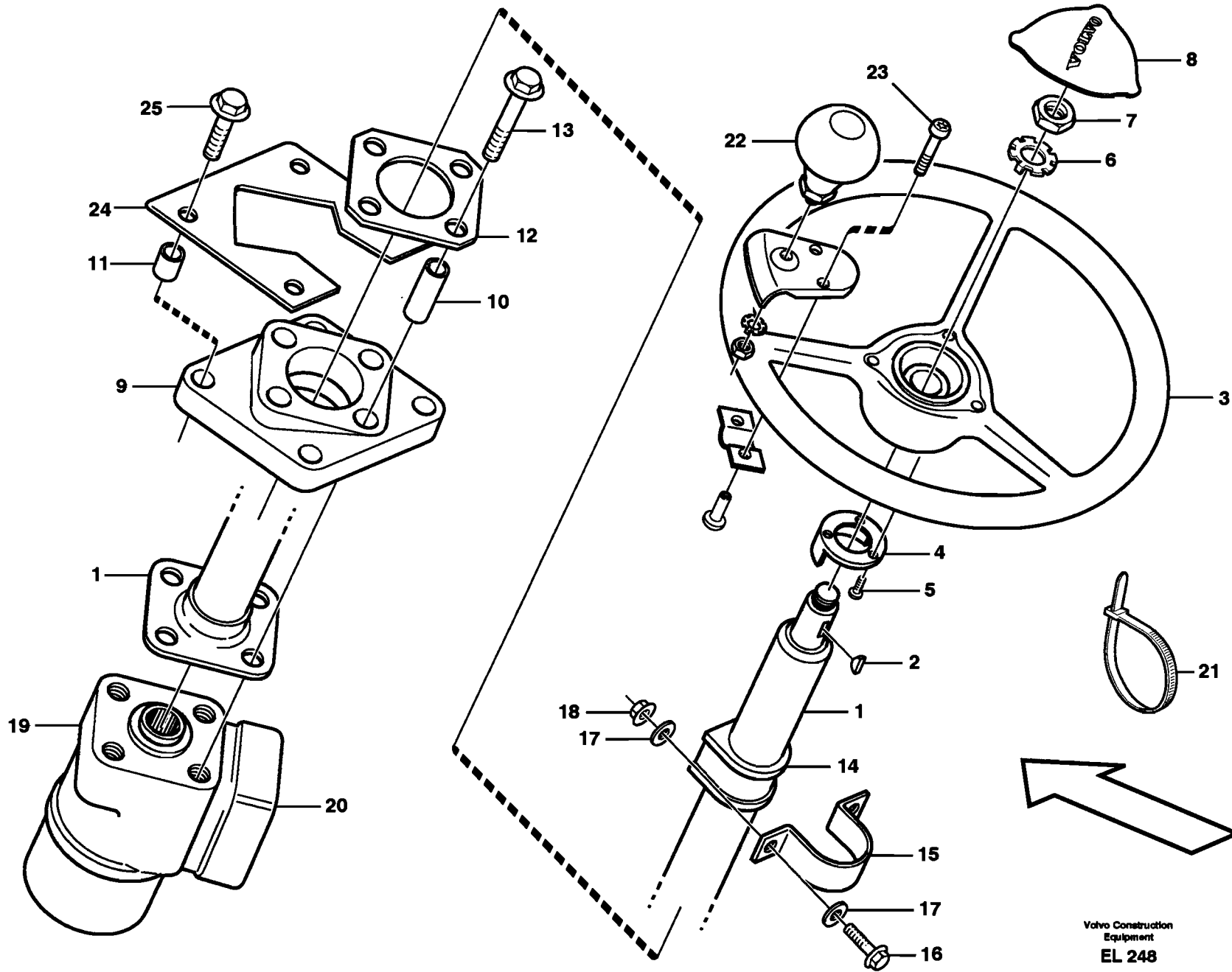
| GRUPP | Avsnitt | Sida | GRUPP | Avsnitt | Sida |
|-------|---|------|-------|---------|------|
| 641 | Rattstam med monteringsdetaljer | 100 | | | 529 |
| 641 | Ställbar ratt 80322, OPEN ROPS, CAB - 1989..... | 150 | | | 531 |
| 641 | Ställbar ratt. 80322, OPEN ROPS, CAB 1990 -..... | 200 | | | 533 |
| 645 | Styrsystem, tryck- och returledning STD, OPEN ROPS..... | 100 | | | 535 |
| 645 | Hydraulcylinder med monteringsdetaljer STD, OPEN ROPS | 150 | | | 543 |
| 645 | Hydraulcylinder STD, OPEN ROPS..... | 200 | | | 545 |
| 645 | Skiftventil med monteringsdetaljer STD, OPEN ROPS | 300 | | | 547 |
| 645 | Skiftventil STD, OPEN ROPS | 350 | | | 551 |
| 645 | Styrventil STD, OPEN ROPS..... | 400 | | | 553 |
| 645 | Ventilblock STD, OPEN ROPS | 450 | | | 555 |
| 647 | Reservstyrsystem. 80932 | 100 | | | 557 |
| 647 | Pumpaggregat. 80932 | 150 | | | 561 |
| 647 | Tryckvakt. 80932..... | 200 | | | 563 |
| 660 | CDC - styrning 80929 | 100 | | | 565 |
| 660 | Avlastningsventil. 80929 | 150 | | | 569 |

INNEHÅLLSFÖRTECKNING

| | |
|--------------------------------|---------------------|
| Catalogue id 20007 | Group 600 |
| Issue VOE 63D9920007 | Page 527 |

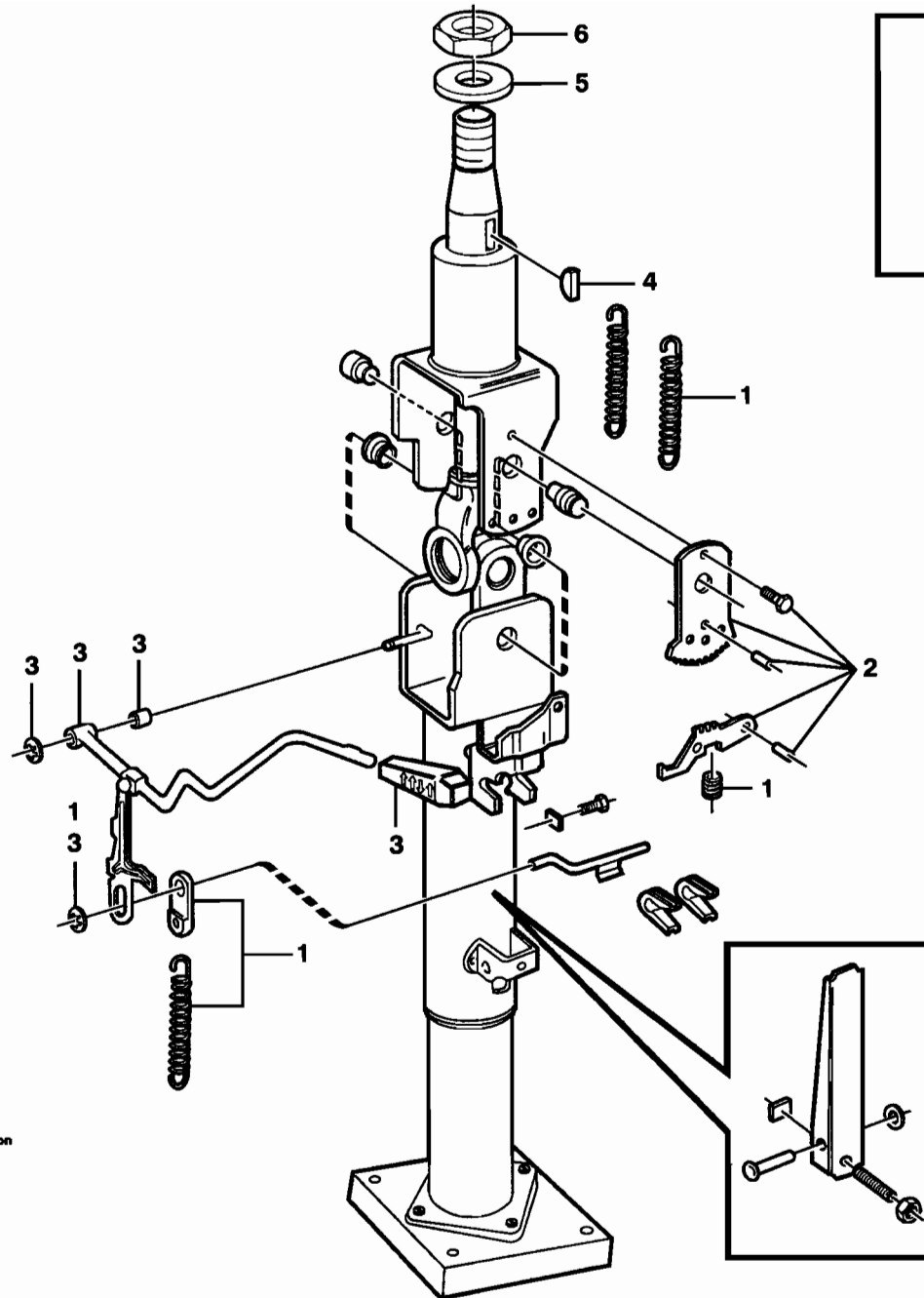
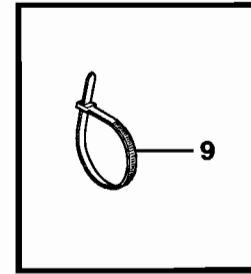
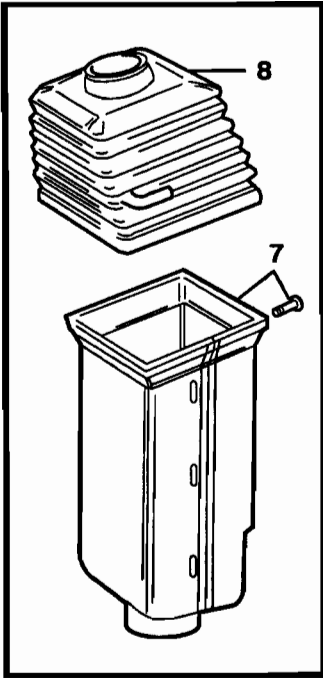
VOLVO

L90E



| Fig. | Part No. | Quantity | | | P S | K I T | Description | Dénomination | Bezeichnung | Denominación | Benämning | Notes |
|------|--------------|----------|---|-----|--------|-------------|-----------------------|--------------------------|-----------------------|----------------------------|-----------------------|-------------------------|
| | | 1 | 2 | 3 | | | | | | | | |
| 1 | VOE 4881493 | 1 | | | | | Steering Column | Colonne direction | Lenksäule | Columna direccion | Rattstam | |
| | | | | | | 1 | Steering Column | Colonne direction | Lenksäule | Columna direccion | Rattstam | See group 641, Page 531 |
| 2 | VOE 4760805 | 1 | | | | | •Key | •Clavette | •Keil | •Llave (cuna) | •Kil | |
| 3 | VOE 11104630 | 1 | | | | | Steering Wheel | Volant direction | Lenkrad | Volante de direccion | Ratt | |
| | VOE 11005998 | | | | | 1 | Steering Wheel | Volant direction | Lenkrad | Volante de direccion | Ratt | |
| 4 | VOE 4714601 | 1 | 1 | | | | Ring | Anneau | Ring | Anillo | Ring | |
| 5 | VOE 4714697 | 3 | 3 | | | | Screw | Vis | Schraube | Tornillo | Skruv | |
| 6 | VOE 11104898 | 1 | 1 | | | | Lock Washer | Rondel.verroui | Sicher Scheibe | Arandel Segurid | Låsbricka | |
| 7 | VOE 955822 | 1 | 1 | | | | Hexagon Nut | Ecrou Hexagonal | Sechskantmutter | Tuerca Hexagon | Sexkantsmutter | |
| 8 | VOE 11104690 | 1 | | | | | Cover Plate | Protection en tole | Schutzblech | Placa Tapa | Täckplatta | |
| | VOE 11104110 | | | | | 1 | Cover Plate | Protection en tole | Schutzblech | Placa Tapa | Täckplatta | |
| | VOE 11104988 | 1 | | | | | Anchorage | Fixation | Halterung | Fijacion | Fäste | |
| 9 | | 1 | | | NS | | •Anchorage | •Fixation | •Halterung | •Fijacion | •Fäste | |
| 10 | VOE 13930456 | 4 | | | | | •Spacer Ring | •Bagu.entretoise | •Abstandring | •Anillo Dist | •Distansring | |
| 11 | VOE 13930449 | 4 | | | | | •Spacer Ring | •Bagu.entretoise | •Abstandring | •Anillo Dist | •Distansring | |
| 12 | VOE 11006554 | 1 | | | | | Washer | Rondelle | Scheibe | Arandela | Bricka | |
| 13 | VOE 13965185 | 4 | | | | | Flange screw | Vis à bride | Flanschschaube | Torn embridado | Flänsskruv | |
| 14 | VOE 11006711 | 1 | 1 | | | | Rubber Bushing | Bagu.caoutchouc | Gummibuchse | Buje Goma | Gummibussning | |
| 15 | VOE 11006712 | 1 | 1 | | | | Clamp | Pince Serrage | Klemme | Abrazadera | Klämma | |
| 16 | VOE 13946173 | 2 | 2 | | | | Flange screw | Vis à bride | Flanschschaube | Torn embridado | Flänsskruv | |
| 17 | VOE 13960141 | 4 | 4 | | | | Washer | Rondelle | Scheibe | Arandela | Bricka | |
| 18 | VOE 13945408 | 2 | 2 | | | | Nut | Ecrou | Mutter | Tuerca | Mutter | |
| 19 | | 1 | | | | | Shf Cont Valve | Valve Guide | Schaltventil | Valvula Mando | Styrventil | See group 645, Page 553 |
| 20 | | 1 | | | | | Valve block | Bloc-soupape | Ventilblock | Bloque de valvula | Ventilblock | See group 645, Page 555 |
| 21 | VOE 4881440 | REQ | | REQ | | | Strip Clamp | Ruban Serrage | Kabelbinder | Abraz Cinta | Bandklamma | |
| 22 | VOE 11006061 | | 1 | | | | Knob | Bouton | Knauf | Boton | Knopp | 80309 |
| 23 | VOE 969423 | | 2 | | | | 6-pt skt screw | Vis creuse de 6 | Hohlschraube | Racor 6-dientes | Sextandhålskruv | (VOE 13969423) 80309 |
| 24 | VOE 11006088 | 1 | 1 | | | | Plate | Tôle | Blech | Chapa | Plåt | |
| 25 | VOE 13965185 | 4 | 4 | | | | Flange screw | Vis à bride | Flanschschaube | Torn embridado | Flänsskruv | |

| | | | | |
|---|-----------|--|-----------------------|------------|
| 1 | STD | Rattstam med monteringsdetaljer Columna de dirección con accesorios de montaje Lenksäule mit Montageteilen Colonne de direction avec pièces de montage Steering column with fitting parts | Catalogue id | Group |
| 2 | 80309 | | 20007 | 641 |
| 3 | OPEN ROPS | | Illustr. No | Section |
| 4 | | | EL248 | 100 |
| 5 | | | Issue | Page |
| | | | VOE 63D9920007 | 529 |



Volvo Construction
Equipment
1000727

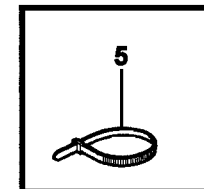
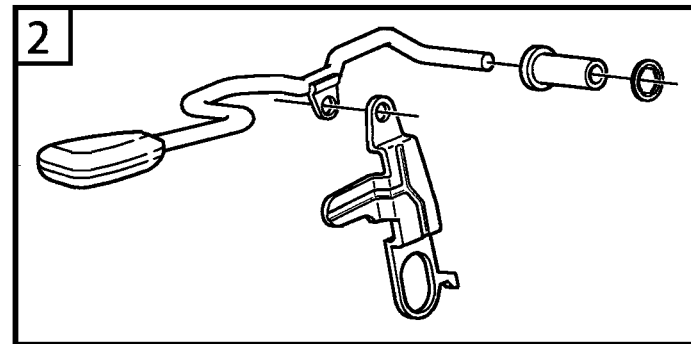
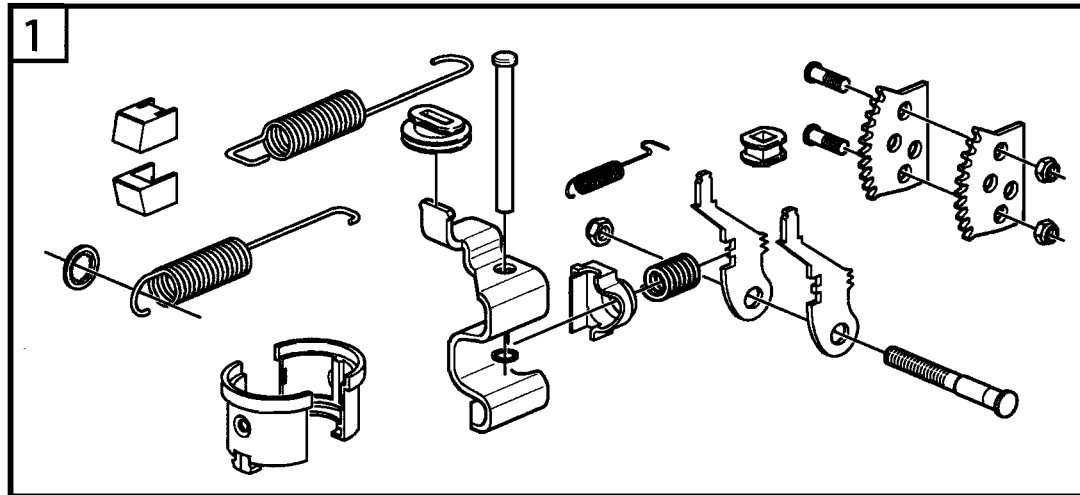
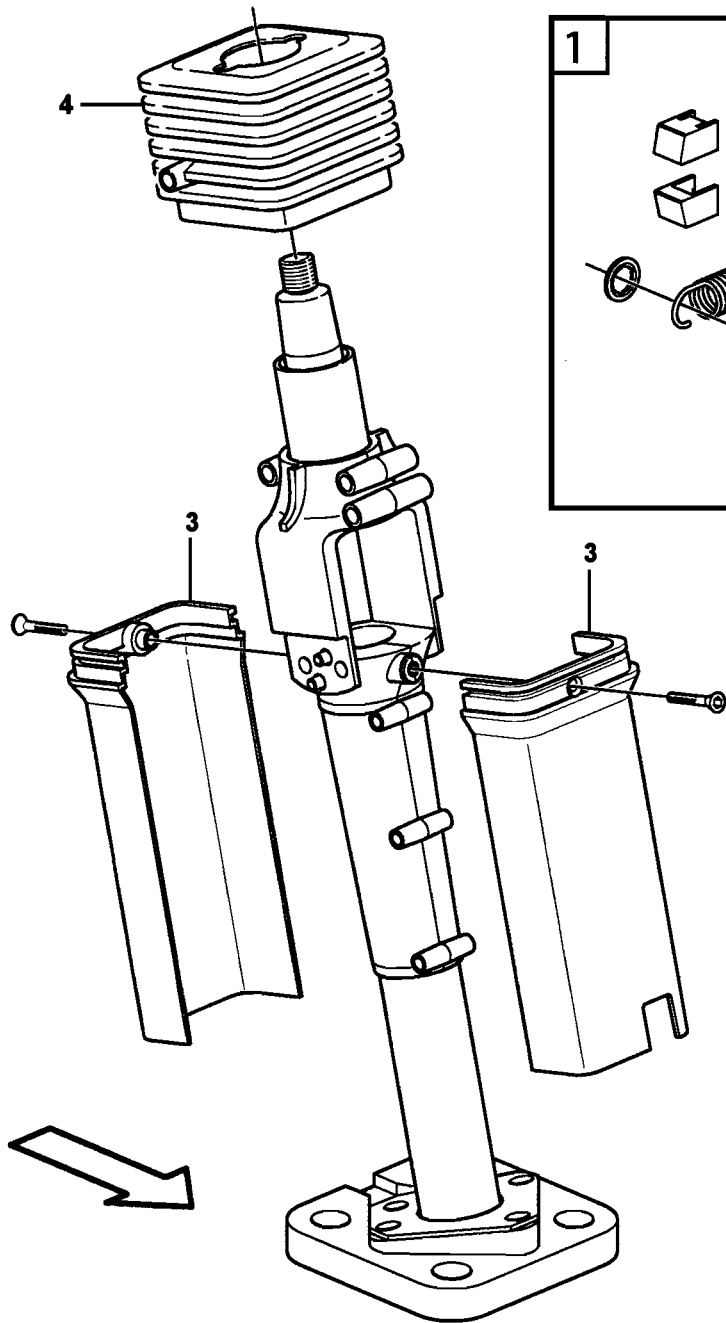
| Fig. | Part No. | Quantity | | | P S | K I T | Description | Dénomination | Bezeichnung | Denominación | Benämning | Notes |
|------|--------------|----------|---|---|--------|-------------|-----------------------|--------------------------|------------------------|-------------------------|---------------------|------------|
| | | 1 | 2 | 3 | | | | | | | | |
| | VOE 11006235 | 1 | | | | SS | Steering Column | Colonne direction | Lenksäule | Columna direccion | Rattstam..... | |
| 1 | VOE 11704312 | 1 | | | | | •Spring Kit | •Jeu Ressorts | •Federsatz | •Juego Resortes | •Fjädersats..... | |
| 2 | VOE 11704313 | 1 | | | | | •Locking Device | •Ens. verrouillage | •Verriegelung..... | •Dispos Cierre | •Låsanordning..... | |
| 3 | VOE 11704314 | 1 | | | | | •Lever Kit | •Kit Levier | •Hebelsatz | •Juego Palanca | •Spaksats..... | |
| 4 | VOE 4760805 | 1 | | | | | •Key | •Clavette..... | •Keil | •Llave (cuna) | •Kil..... | |
| 5 | | 1 | | | | | •Washer | •Rondelle..... | •Scheibe | •Arandela..... | •Bricka..... | 1319) |
| 6 | VOE 955822 | 1 | | | | | •Hexagon Nut..... | •Ecrou Hexagonal | •Sechskantmutter | •Tuerca Hexagon | •Sexkantmutter..... | |
| 7 | VOE 11704315 | 1 | | | | | •Cover | •Capot | •Haube | •Cubierta | •Kåpa..... | |
| 8 | VOE 11704316 | 1 | | | | | •Boot | •Soufflet..... | •Manschette | •Proteccion | •Damask..... | |
| 9 | VOE 4881438 | 2 | | | | | Strip Clamp | Ruban Serrage..... | Kabelbinder | Abraz Cinta | Bandklamma..... | L = 220 MM |
| | VOE 4881440 | 1 | | | | | Strip Clamp | Ruban Serrage..... | Kabelbinder | Abraz Cinta | Bandklamma..... | L = 530 MM |

1319) GB: Please use lock washer 11104898. FR: Veuillez utiliser la rondelle de verrouillage 11104898. DE: Bitte verwenden Sie Sicherungsscheibe 11104898. ES: Por favor usar arandela seguridad 11104898. SE: Använd låsbricka 11104898.

| | | | | |
|---|--|---|----------------|------------|
| 1 | | Ställbar ratt Volante regulable Verstellbares Lenkrad Volant réglable Adjustable steering wheel 80322, OPEN ROPS, CAB - 1989 | Catalogue id | Group |
| 2 | | | 20007 | 641 |
| 3 | | | Illustr. No | Section |
| 4 | | | 1000727 | 150 |
| 5 | | | Issue | Page |
| | | | VOE 63D9920007 | 531 |

VOLVO

L90E



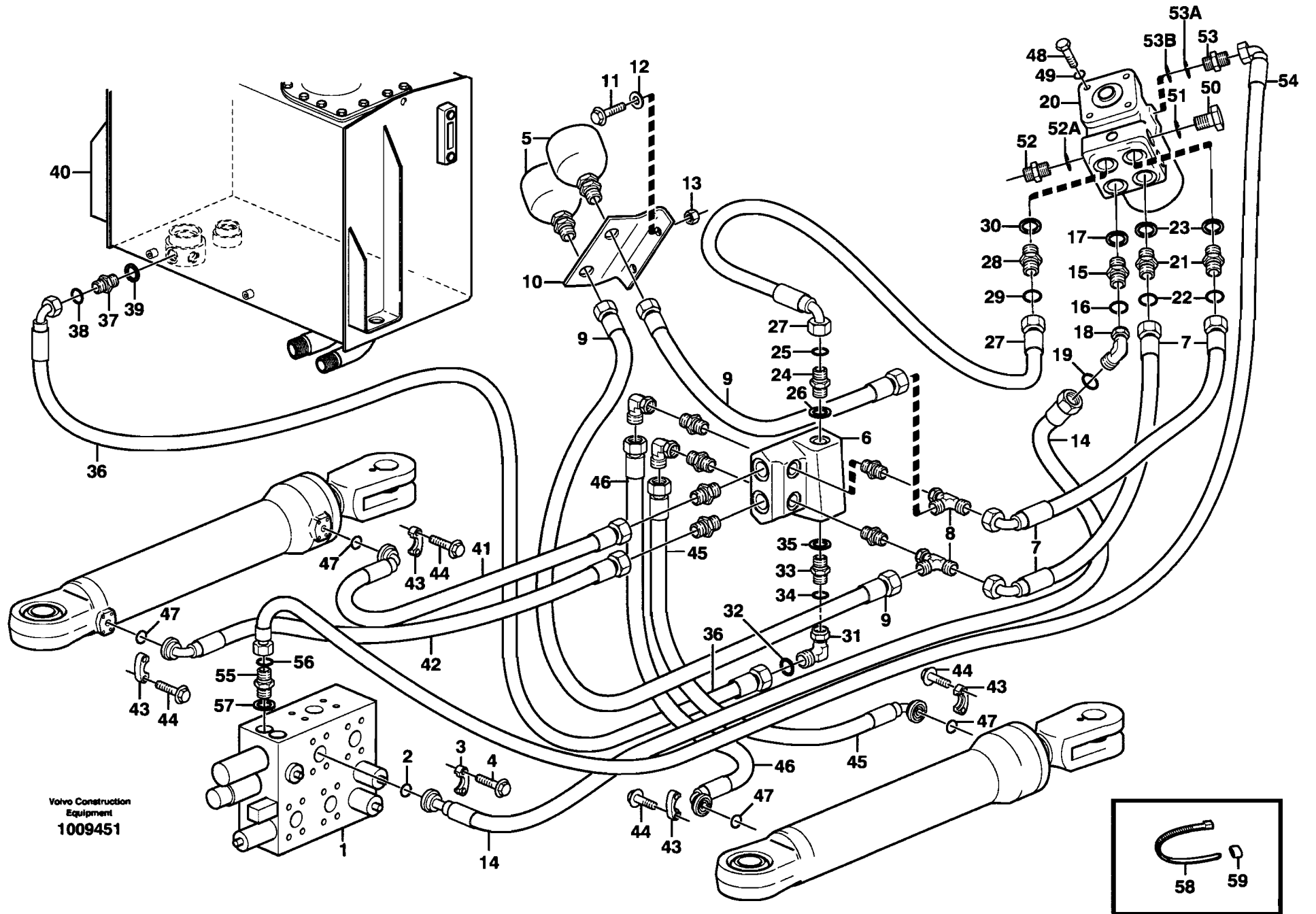
Volvo Construction
Equipment
1013082

| Fig. | Part No. | Quantity | | | P S | K I T | Description | Dénomination | Bezeichnung | Denominación | Benämning | Notes |
|------|--------------|----------|---|---|--------|-------------|-----------------------|-------------------------|-----------------------|-------------------------|-----------------------|------------|
| | | 1 | 2 | 3 | | | | | | | | |
| | VOE 11164645 | 1 | | | | | Steering Column | Colonne direction | Lenksäule | Columna direccion | Rattstam..... | |
| 1 | VOE 11713580 | 1 | | | | | •Overhaul Kit..... | •Kit Renovation | •Überholungssatz..... | •Juego Reacondic | •Renoveringssats..... | |
| 2 | VOE 11713574 | 1 | | | | | •Lever Kit | •Kit Levier | •Hebelsatz | •Juego Palanca | •Spaksats..... | |
| 3 | VOE 11713571 | 1 | | | | | •Casing | •Boitier..... | •Gehäuse | •Cubierta | •Kåpa..... | |
| 4 | VOE 11713567 | 1 | | | | | •Bellows | •Capot Caoutcho..... | •Gummimantel..... | •Cubierta Goma..... | •Gummikåpa..... | |
| | VOE 4881440 | 1 | | | | | Strip Clamp | Ruban Serrage..... | Kabelbinder | Abraz Cinta | Bandklamma..... | L = 530 MM |

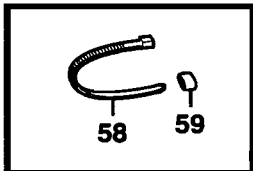
| | | | | |
|---|--|--|-------------------------------|-------------------------|
| 1 | | Ställbar ratt. Volante de ajustable. Lenkrad, verstellbar. Volant réglable. Adjustable steering wheel. 80322, OPEN ROPS, CAB 1990 - | Catalogue id 20007 | Group 641 |
| 2 | | | Illustr. No 1013082 | Section 200 |
| 3 | | | | Issue VOE 63D9920007 |
| 4 | | | | |
| 5 | | | | |

VOLVO

L90E

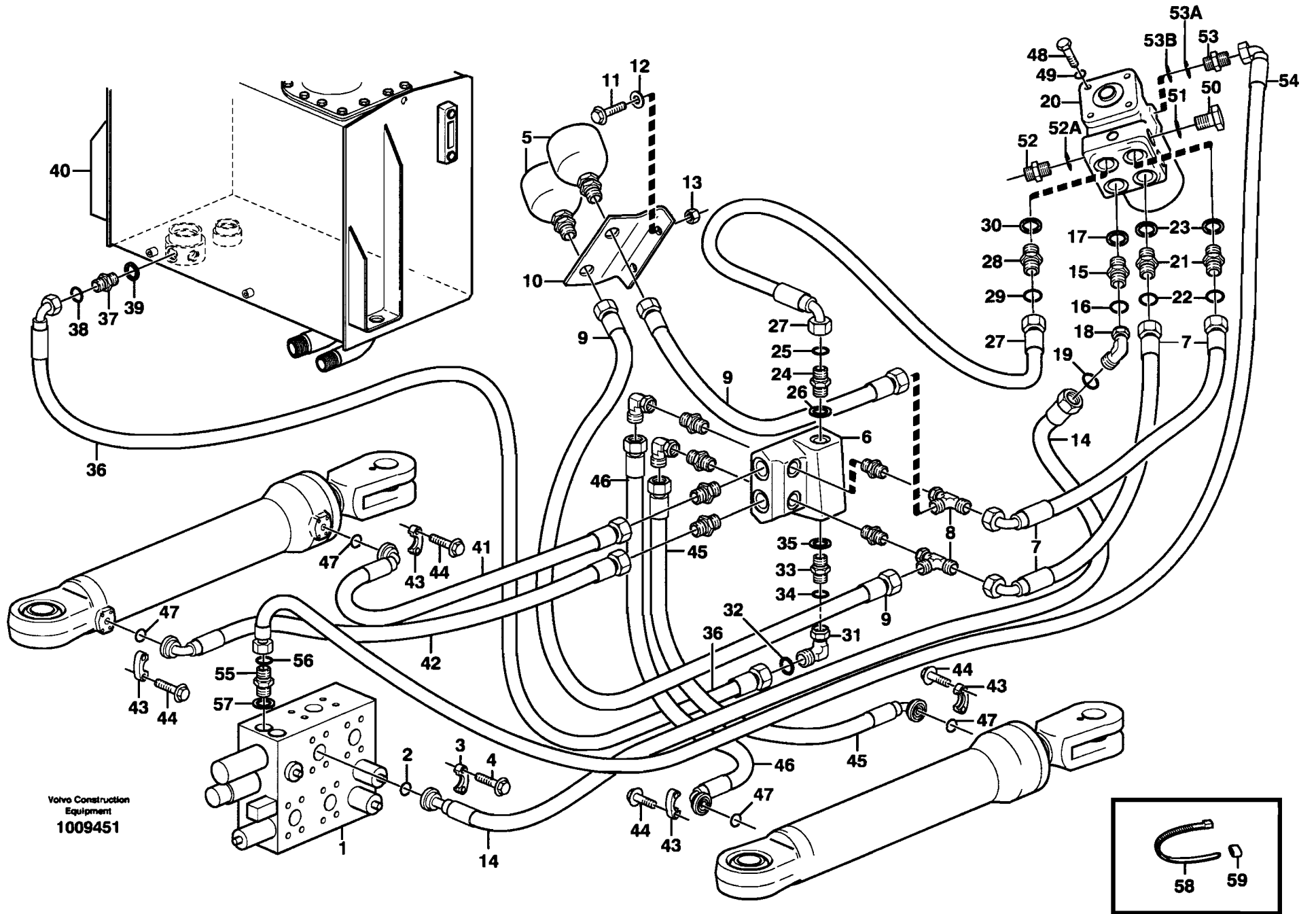


Volvo Construction
Equipment
1009451



| Fig. | Part No. | Quantity | | | P S | K I T | Description | Dénomination | Bezeichnung | Denominación | Benämning | Notes |
|------|--------------|----------|---|----|--------|----------------------|---------------------------|----------------------|-------------------------|---------------------|-------------------------|-------|
| | | 1 | 2 | 3 | | | | | | | | |
| 1 | | 1 | | | | Valve block..... | Bloc-soupape | Ventilblock..... | Bloque de valvula | Ventilblock..... | See group 912, Page 823 | |
| 2 | VOE 13948699 | 1 | | | | O-ring..... | Joint Torique | O-Ring..... | Junta torica | O-ring..... | | |
| 3 | VOE 11015454 | 2 | | | | Flange Half..... | Demi-bride | Flanschhälfte..... | Media brida | Flänshalva..... | PS | |
| 4 | VOE 946472 | 4 | | | | Flange screw..... | Vis à bride | Flanschschraube..... | Torn embridado..... | Flänsskruv..... | | |
| 5 | VOE 11172058 | 2 | | | | Accumulator..... | Accumulateur | Speicher | Acumulador | Ackumulator..... | | |
| 6 | | 1 | | | | Valve..... | Soupape..... | Ventil | Valvula | Ventil..... | See group 645, Page 547 | |
| 7 | VOE 11173217 | 2 | | | | Hose assembly | Conduit flexible | Schlauchleitung..... | Conducto..... | Slangledning..... | | |
| 8 | | 2 | | | | Nipple..... | Raccord..... | Nippel..... | Niple | Nippel..... | See group 645, Page 547 | |
| 9 | VOE 11173220 | 2 | | | | Hose assembly | Conduit flexible | Schlauchleitung..... | Conducto..... | Slangledning..... | | |
| 10 | | 1 | | NS | | Bracket..... | Console..... | Konsole..... | Consola | Konsol..... | | |
| 11 | VOE 946671 | 2 | | | | Flange screw..... | Vis à bride | Flanschschraube..... | Torn embridado..... | Flänsskruv..... | | |
| 12 | VOE 13960141 | 2 | | | | Washer..... | Rondelle..... | Scheibe..... | Arandela | Bricka..... | | |
| 13 | VOE 948645 | 2 | | | | Flange Lock Nut..... | Contre écrou bride | Flanschmutter | Contratuer Embr..... | Flänslåsmutter..... | | |
| 14 | VOE 11173215 | 1 | | | | Hose assembly | Conduit flexible | Schlauchleitung..... | Conducto..... | Slangledning..... | | |
| 15 | VOE 13933914 | 1 | | | | Nipple..... | Raccord..... | Nippel..... | Niple | Nippel..... | P | |
| 16 | VOE 4880663 | 1 | | | | •O-ring..... | •Joint Torique | •O-Ring..... | •Junta torica | •O-ring..... | | |
| 17 | VOE 14211858 | 1 | | | | •Sealing ring..... | •Bague d'étanchéité | •Runddichtring..... | •Anillo reten | •Tättningsring..... | | |
| 18 | VOE 935423 | 1 | | | | Elbow nipple..... | Raccord angulaire | Winkelnippel..... | Niple angular | Vinkelnippel..... | | |
| 19 | VOE 4880663 | 1 | | | | •O-ring..... | •Joint Torique | •O-Ring..... | •Junta torica | •O-ring..... | | |
| 20 | | 1 | | | | Valve block..... | Bloc-soupape | Ventilblock..... | Bloque de valvula | Ventilblock..... | See group 645, Page 555 | |
| 21 | VOE 13933871 | 2 | | | | Nipple..... | Raccord..... | Nippel..... | Niple | Nippel..... | T | |
| 22 | VOE 4880493 | 2 | | | | •O-ring..... | •Joint Torique | •O-Ring..... | •Junta torica | •O-ring..... | | |
| 23 | VOE 14211858 | 2 | | | | •Sealing ring..... | •Bague d'étanchéité | •Runddichtring..... | •Anillo reten | •Tättningsring..... | | |
| 24 | VOE 13933871 | 1 | | | | Nipple..... | Raccord..... | Nippel..... | Niple | Nippel..... | | |
| 25 | VOE 4880493 | 1 | | | | •O-ring..... | •Joint Torique | •O-Ring..... | •Junta torica | •O-ring..... | | |
| 26 | VOE 14211858 | 1 | | | | •Sealing ring..... | •Bague d'étanchéité | •Runddichtring..... | •Anillo reten | •Tättningsring..... | | |
| 27 | VOE 11163005 | 1 | | | | Hose assembly | Conduit flexible | Schlauchleitung..... | Conducto..... | Slangledning..... | L = 780MM | |
| 28 | VOE 13933871 | 1 | | | | Nipple..... | Raccord..... | Nippel..... | Niple | Nippel..... | T | |
| 29 | VOE 4880493 | 1 | | | | •O-ring..... | •Joint Torique | •O-Ring..... | •Junta torica | •O-ring..... | | |
| 30 | VOE 14211858 | 1 | | | | •Sealing ring..... | •Bague d'étanchéité | •Runddichtring..... | •Anillo reten | •Tättningsring..... | | |

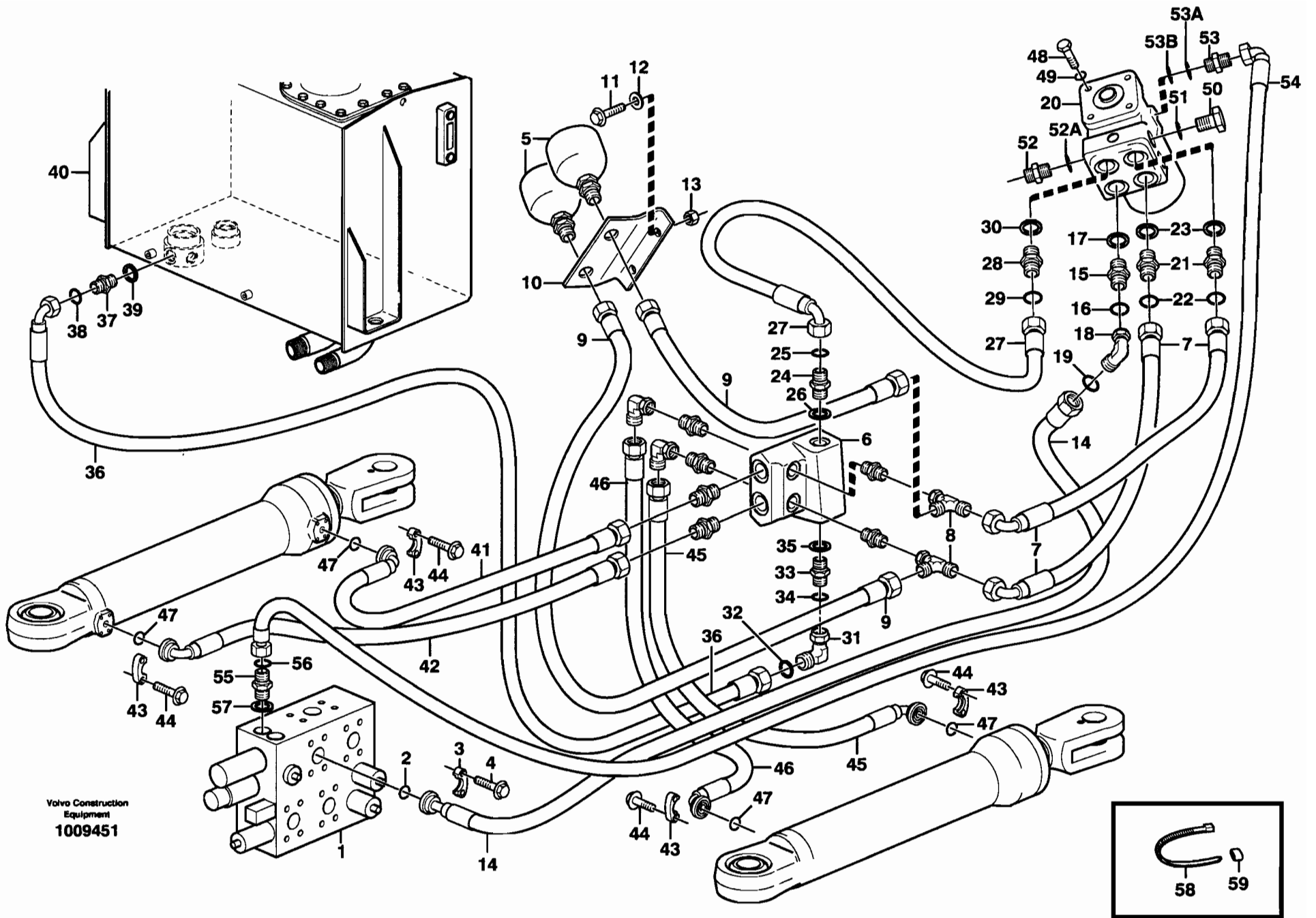
| | | | | |
|---|--|---|-----------------------|------------|
| 1 | | Styrsystem, tryck- och returledning Sistema de dirección Lenksystem Système de direction Steering system | Catalogue id | Group |
| 2 | | | 20007 | 645 |
| 3 | | | Illustr. No | Section |
| 4 | | | 1009451 | 100 |
| 5 | | | Issue | Page |
| | | STD, OPEN ROPS | VOE 63D9920007 | 535 |



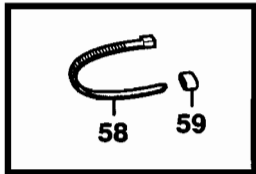
Volvo Construction
Equipment
1009451

| Fig. | Part No. | Quantity | | | P S | K T | Description | Dénomination | Bezeichnung | Denominación | Benämning | Notes |
|------|--------------|----------|---|---|--------|----------------------|--------------------------|----------------------|----------------------|----------------------|---|-------|
| | | 1 | 2 | 3 | | | | | | | | |
| 31 | VOE 935423 | 1 | | | | Elbow nipple..... | Raccord angulaire..... | Winkelnippel..... | Niple angular..... | Vinkelnippel..... | T | |
| 32 | VOE 4880663 | 1 | | | | •O-ring..... | •Joint Torique..... | •O-Ring..... | •Junta torica..... | •O-ring..... | | |
| 33 | VOE 935203 | 1 | | | | Nipple..... | Raccord..... | Nippel..... | Niple..... | Nippel..... | | |
| 34 | VOE 4880663 | 1 | | | | •O-ring..... | •Joint Torique..... | •O-Ring..... | •Junta torica..... | •O-ring..... | | |
| 35 | VOE 14211860 | 1 | | | | •Sealing ring..... | •Bague d'étanchéité..... | •Runddichtring..... | •Anillo reten..... | •Tätningsring..... | | |
| 36 | VOE 11173216 | 1 | | | | Hose assembly..... | Conduit flexible..... | Schlauchleitung..... | Conducto..... | Slangledning..... | L = 1130MM | |
| 37 | VOE 935037 | 1 | | | | Nipple..... | Raccord..... | Nippel..... | Niple..... | Nippel..... | | |
| 38 | VOE 4880663 | 1 | | | | •O-ring..... | •Joint Torique..... | •O-Ring..... | •Junta torica..... | •O-ring..... | | |
| 39 | VOE 14211864 | 1 | | | | •Sealing ring..... | •Bague d'étanchéité..... | •Runddichtring..... | •Anillo reten..... | •Tätningsring..... | | |
| 40 | | 1 | | | | Hydr fluid tank..... | Reser.fluid.hy..... | Druckölbehälter..... | Dep aceite hidr..... | Hydrauloljetank..... | See group 911, Page 793 | |
| 41 | VOE 11172901 | 1 | | | | Hose assembly..... | Conduit flexible..... | Schlauchleitung..... | Conducto..... | Slangledning..... | SER NO - 20837 SER NO - 66464 USA SER NO - 70887 BRAZIL | |
| | VOE 11173220 | 1 | | | | Hose assembly..... | Conduit flexible..... | Schlauchleitung..... | Conducto..... | Slangledning..... | SER NO 20838 - SER NO 66465 - USA SER NO 70888 - BRAZIL | |
| 42 | VOE 11173239 | 1 | | | | Hose assembly..... | Conduit flexible..... | Schlauchleitung..... | Conducto..... | Slangledning..... | L = 575MM,SER NO - 20837 SER NO - 66464 USA SER NO - 70887 BRAZIL | |
| | VOE 11410982 | 1 | | | | Hose assembly..... | Conduit flexible..... | Schlauchleitung..... | Conducto..... | Slangledning..... | L = 580MM,SER NO 20838 - SER NO 66465 - USA SER NO 70888 - BRAZIL | |
| 43 | VOE 11015453 | 8 | | | | Flange Half..... | Demi-bride..... | Flanschhälfte..... | Media brida..... | Flänshalva..... | SER NO - 20837 SER NO - 66464 USA SER NO - 70887 BRAZIL | |
| | VOE 13933871 | 4 | | | | Nipple..... | Raccord..... | Nippel..... | Niple..... | Nippel..... | SER NO 20838 - SER NO 66465 - USA SER NO 70888 - BRAZIL | |

| | | | | |
|---|--|--|-----------------------|------------|
| 1 | | Styrsystem, tryck- och returledning Sistema de dirección Lenksystem Système de direction Steering system STD, OPEN ROPS | Catalogue id | Group |
| 2 | | | 20007 | 645 |
| 3 | | | Illustr. No | Section |
| 4 | | | 1009451 | 100 |
| 5 | | | Issue | Page |
| | | | VOE 63D9920007 | 537 |

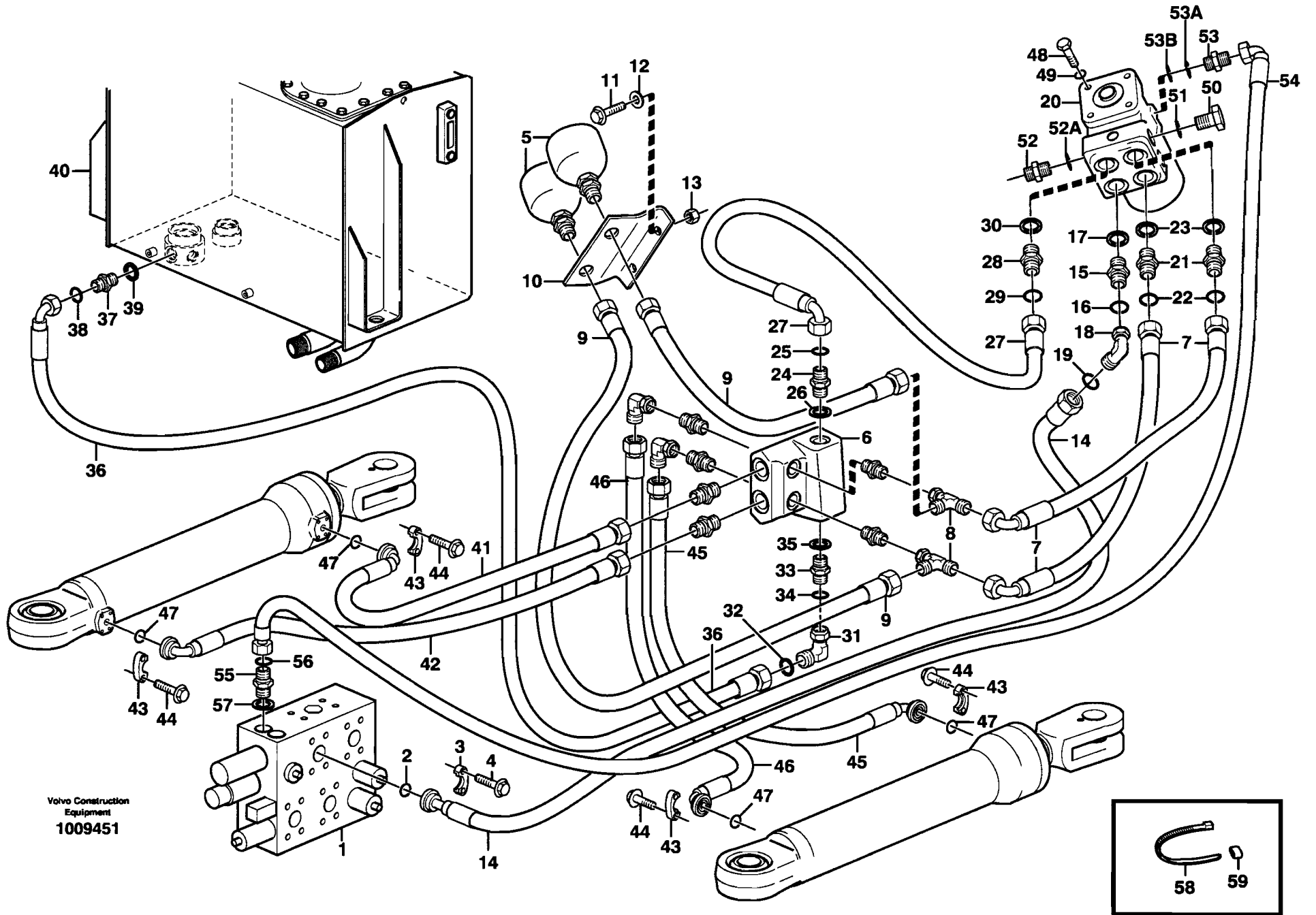


Volvo Construction
Equipment
1009451

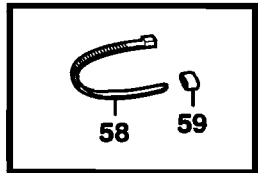


| Fig. | Part No. | Quantity | | | P S | K I T | Description | Dénomination | Bezeichnung | Denominación | Benämning | Notes |
|------|--------------|----------|---|---|--------|-------------|------------------------|-------------------------|-----------------------|------------------------|----------------------|---|
| | | 1 | 2 | 3 | | | | | | | | |
| 44 | VOE 13945444 | 16 | | | | | Flange screw..... | Vis à bride | Flanschschaube..... | Torn embridado..... | Flänsskruv..... | SER NO - 20837 SER NO - 66464 USA SER NO - 70887 BRAZIL |
| 45 | VOE 11410105 | 1 | | | | | Hose assembly | Conduit flexible | Schlauchleitung..... | Conducto..... | Slangledning..... | L = 600MM,SER NO - 20837 SER NO - 66464 USA SER NO - 70887 BRAZIL |
| | VOE 11410981 | 1 | | | | | Hose assembly | Conduit flexible | Schlauchleitung..... | Conducto..... | Slangledning..... | L = 610MM,SER NO 20838 - SER NO 66465 - USA SER NO 70888 - BRAZIL |
| 46 | VOE 11172557 | 1 | | | | | Hose assembly | Conduit flexible | Schlauchleitung..... | Conducto..... | Slangledning..... | L =1020MM,SER NO - 20837 SER NO - 66464 USA SER NO - 70887 BRAZIL |
| | VOE 11172557 | 1 | | | | | Hose assembly | Conduit flexible | Schlauchleitung..... | Conducto..... | Slangledning..... | L=1000MM,SER NO 20838 - SER NO 66465 - USA SER NO 70888 - BRAZIL |
| 47 | VOE 948698 | 4 | | | | | O-ring..... | Joint Torique | O-Ring..... | Junta torica..... | O-ring..... | SER NO - 20837 SER NO - 66464 USA SER NO - 70887 BRAZIL |
| 48 | VOE 13965188 | 4 | | | | | Flange screw..... | Vis à bride | Flanschschaube..... | Torn embridado..... | Flänsskruv..... | |
| 49 | VOE 13960143 | 4 | | | | | Washer..... | Rondelle | Scheibe | Arandela..... | Bricka..... | |
| 50 | VOE 929359 | 2 | | | | | Plug..... | Bouchon | Stopfen..... | Tapon | Plugg..... | |
| 51 | VOE 14013069 | 2 | | | | | Gasket..... | Joint | Dichtung | Junta | Packning..... | |
| 52 | VOE 936439 | 1 | | | | | Testing Nipple..... | Raccord contrôle..... | Prufnippel..... | Niple Medicion..... | Mätnippel..... | |
| 52A | VOE 955990 | 1 | | | | | •O-ring..... | •Joint Torique | •O-Ring..... | •Junta torica | •O-ring..... | |
| 53 | VOE 11173896 | 1 | | | | | Restriction non-return | Limiteur de pression... | Drosselrückschlagve.. | Válvula de estrangula. | Strypbackventil..... | |
| | VOE 11019434 | 1 | | | | | •Compression Spring | •Ressort compressio.. | •Druckfeder | •Muelle compresion.... | •Tryckfjäder..... | |
| 53A | VOE 4881722 | 1 | | | | | O-ring..... | Joint Torique | O-Ring..... | Junta torica..... | O-ring..... | STD, SER NO 20005- STD, SER NO 70801-BRAZ OPEN ROPS |
| 53B | VOE 14013067 | 1 | | | | | Sealing washer | Rond.etancheite..... | Dichtscheibe..... | Arandela reten..... | Tättningsbricka..... | |

| | | | | |
|---|--|--|-----------------------|------------|
| 1 | | Styrsystem, tryck- och returledning Sistema de dirección Lenksystem Système de direction Steering system STD, OPEN ROPS | Catalogue id | Group |
| 2 | | | 20007 | 645 |
| 3 | | | Illustr. No | Section |
| 4 | | | 1009451 | 100 |
| 5 | | | Issue | Page |
| | | | VOE 63D9920007 | 539 |



Volvo Construction
Equipment
1009451

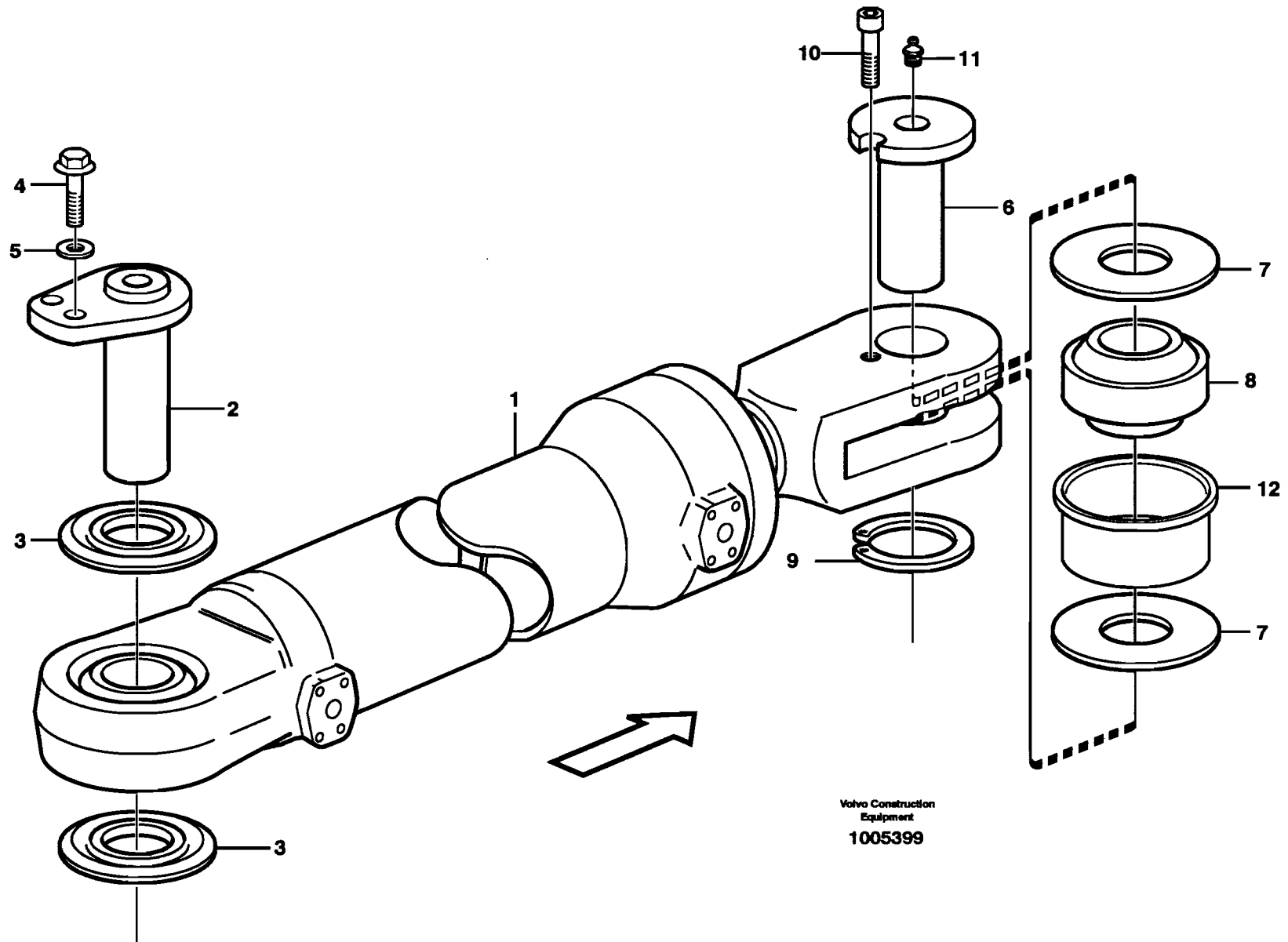


| Fig. | Part No. | Quantity | | | P S | K T | Description | Dénomination | Bezeichnung | Denominación | Benämning | Notes |
|------|--------------|----------|---|---|--------|--------|----------------------|---------------------------|-----------------------|-----------------------|----------------------|------------|
| | | 1 | 2 | 3 | | | | | | | | |
| 54 | VOE 11163088 | 1 | | | | | Hose assembly | Conduit flexible | Schlauchleitung | Conducto | Slangledning | L = 1800MM |
| 55 | VOE 935548 | 1 | | | | | Nipple | Raccord | Nippel | Niple | Nippel | |
| 56 | VOE 4881722 | 1 | | | | | •O-ring | •Joint Torique | •O-Ring | •Junta torica | •O-ring | |
| 57 | VOE 14211856 | 1 | | | | | •Sealing ring | •Bague d'étanchéité | •Runddichtring | •Anillo reten | •Tättningsring | |
| 58 | VOE 4881438 | 2 | | | | | Strip Clamp | Ruban Serrage | Kabelbinder | Abraz Cinta | Bandklamma | |
| 59 | VOE 4881453 | 2 | | | | | Marking Sleeve | Douill.marquage | Kennhulse | Manguit Marcaje | Märkhylsa | |
| | VOE 4881456 | 2 | | | | | Marking Sleeve | Douill.marquage | Kennhulse | Manguit Marcaje | Märkhylsa | |

| | | | |
|---|---|-----------------------|------------|
| 1 | Styrssystem, tryck- och returledning Sistema de dirección Lenksystem Système de direction Steering system STD, OPEN ROPS | Catalogue id | Group |
| 2 | | 20007 | 645 |
| 3 | | Illustr. No | Section |
| 4 | | 1009451 | 100 |
| 5 | | Issue | Page |
| | | VOE 63D9920007 | 541 |

VOLVO

L90E



Volvo Construction
 Equipment
 1005399

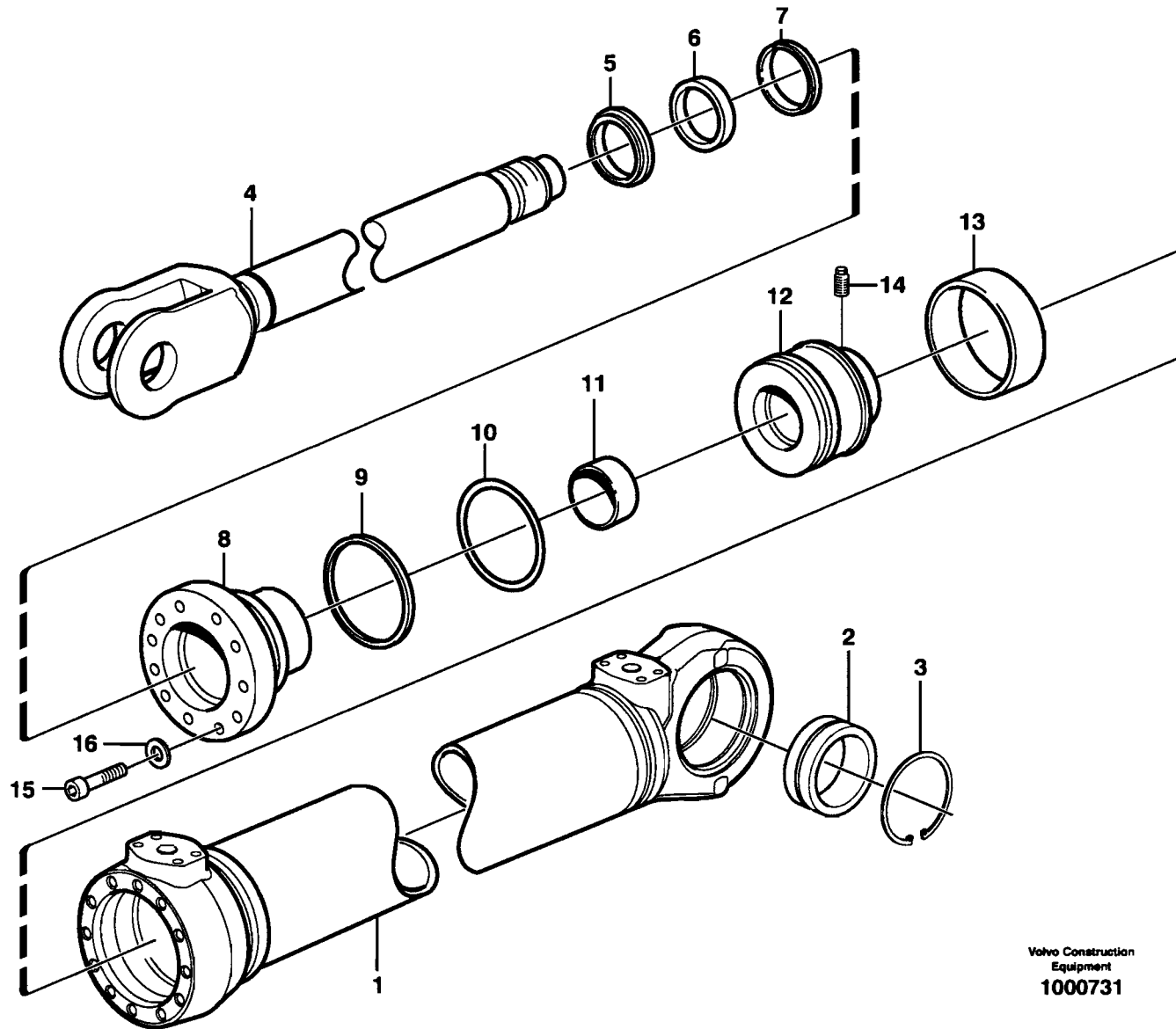


| Fig. | Part No. | Quantity | | | P S | K I T | Description | Dénomination | Bezeichnung | Denominación | Benämning | Notes |
|------|--------------|----------|---|---|--------|--------------------------|--------------------------|-----------------------|--------------------------|----------------------|--|-------|
| | | 1 | 2 | 3 | | | | | | | | |
| 1 | | 2 | | | | Hydraulic cylinder..... | Verin hydraulique | Hydraulzylinder | Cilindro hidraulico..... | Hydraulcylinder..... | See group 645, Page 545 | |
| 2 | VOE 11176716 | 2 | | | | Pin..... | Goupille..... | Zapfen..... | Pasador..... | Tapp..... | | |
| 3 | VOE 4782479 | 4 | | | | Sealing ring..... | Bague d'étanchéité | Runddichtring..... | Anillo reten | Tättningsring..... | | |
| 4 | VOE 946671 | 4 | | | | Flange screw..... | Vis à bride..... | Flanschschrabe..... | Torn embridado..... | Flänskskruv..... | | |
| 5 | VOE 13960141 | 4 | | | | Washer..... | Rondelle..... | Scheibe..... | Arandela..... | Bricka..... | | |
| 6 | VOE 11020094 | 2 | | | | Pin..... | Goupille..... | Zapfen..... | Pasador..... | Tapp..... | | |
| 7 | VOE 11020098 | 4 | | | | Washer..... | Rondelle..... | Scheibe..... | Arandela..... | Bricka..... | | |
| 8 | VOE 184428 | 2 | | | | Spherical plain beari .. | Palier articule | Pendellager..... | Cojinete articulacion... | Ledlager..... | | |
| 9 | VOE 13914468 | 2 | | | | Snap Ring | Circlip | Nutring..... | Circlip | Spårring..... | | |
| 10 | VOE 13941793 | 2 | | | | Screw | Vis | Schraube..... | Tornillo | Skruv..... | | |
| 11 | VOE 914167 | 2 | | | | Nipple..... | Raccord..... | Nippel..... | Niple..... | Nippel..... | | |
| 12 | VOE 11176539 | 2 | | | | Bushing..... | Bague..... | Buchse..... | Casquillo | Bussning..... | STD, SER NO 20005- STD, SER NO 66010-USA STD, SER NO 70801-BRAZ OPEN ROPS | |

| | | | | |
|---|--|---|----------------|------------|
| 1 | | Hydraulcylinder med monteringsdetaljer Cilindros hidráulicos con accesorios de montaje Druckölzylinder mit anbauteilen Vérins hydrauliques avec pièces de montage Hydraulic cylinder with fitting parts STD, OPEN ROPS | Catalogue id | Group |
| 2 | | | 20007 | 645 |
| 3 | | | Illustr. No | Section |
| 4 | | | 1005399 | 150 |
| 5 | | | Issue | Page |
| | | | VOE 63D9920007 | 543 |

VOLVO

L90E



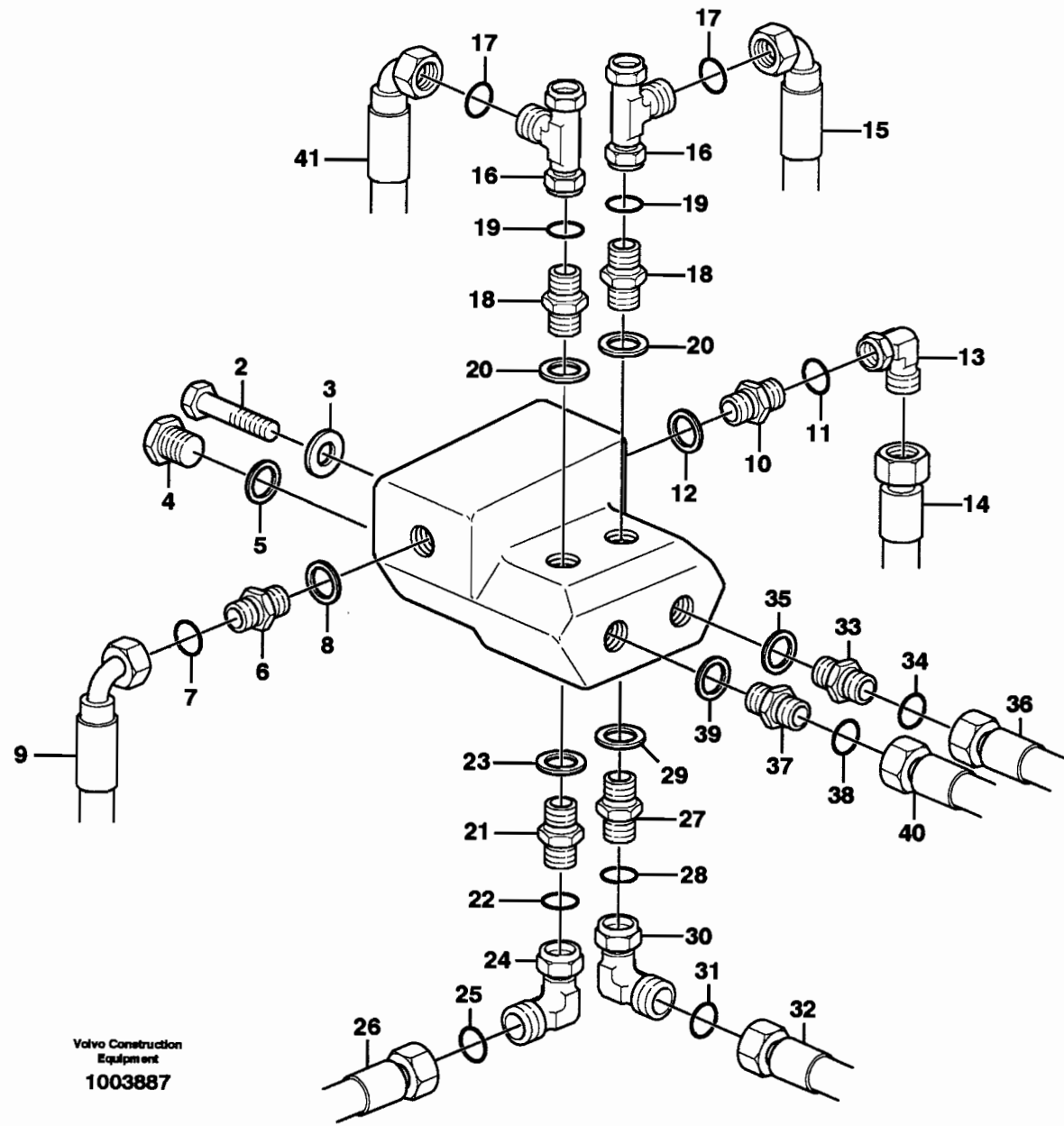
Volvo Construction
 Equipment
 1000731

| Fig. | Part No. | Quantity | | | P S | K T | Description | Dénomination | Bezeichnung | Denominación | Benämning | Notes |
|------|--------------|----------|---|---|--------|--------|------------------------|--------------------------|------------------------|--------------------------|-----------------------|---|
| | | 1 | 2 | 3 | | | | | | | | |
| | VOE 11107525 | 1 | | | | | Hydr Cylinder | Verin Hydraul. | Hydraulzylinder | Cilindro Hidrau | Hydraulcylinder..... | SER NO - 20837 SER NO - 66464 USA SER NO - 70887 BRAZIL |
| | VOE 11107766 | 1 | | | | | Hydr Cylinder | Verin Hydraul. | Hydraulzylinder | Cilindro Hidrau | Hydraulcylinder..... | SER NO 20838 - SER NO 66465 - USA SER NO 70888 - BRAZIL |
| 1 | | 1 | | | NS | | •Cylinder tube | •Tube cylindre | •Zylinderrohr..... | •Tubo cilindro | •Cylinderrör..... | |
| | | | 1 | | NS | | •Cylinder tube | •Tube cylindre | •Zylinderrohr..... | •Tubo cilindro | •Cylinderrör..... | |
| 2 | VOE 184062 | 1 | 1 | | | | •Pivot bearing..... | •Palier articule | •Schwenklager | •Cojinete articulacion.. | •Ledlager..... | |
| 3 | VOE 914538 | 2 | 2 | | | | •Snap Ring | •Circlip..... | •Nutting | •Circlip | •Spårring..... | |
| 4 | VOE 11107461 | 1 | 1 | | | | •Piston rod | •Bielle de piston | •Kolbenstange..... | •Biela de piston | •Kolvstång..... | |
| 5 | VOE 11005053 | 1 | 1 | | K | | •Scraper | •Racleur | •Abstreifring..... | •Aro rascador | •Avstrykare..... | |
| 6 | VOE 4784045 | 1 | 1 | | K | | •Piston Rod Seal..... | •Eta.tige Piston..... | •Ko-stang Dichtg | •Reten Var Pist..... | •Kolvstångstätt..... | |
| 7 | VOE 11107348 | 1 | 1 | | K | | •Piston Rod Seal..... | •Eta.tige Piston..... | •Ko-stang Dichtg | •Reten Var Pist..... | •Kolvstångstätt..... | |
| 8 | VOE 11107360 | 1 | | | | | •Pstrn Rod Guide | •Gui.tige Piston | •Ko-stang Fuhrg | •Guia Var Piston..... | •Kolvst.styrning..... | |
| | | | 1 | | NS | | •Pstrn Rod Guide | •Gui.tige Piston | •Ko-stang Fuhrg | •Guia Var Piston..... | •Kolvst.styrning..... | |
| 9 | VOE 4787062 | 1 | 1 | | K | | •Back-up ring | •Rondelle anti-extrusi . | •Stützring..... | •Anillo Apoyo | •Stödtring..... | |
| 10 | VOE 925094 | 1 | 1 | | K | | •O-ring..... | •Joint Torique..... | •O-Ring..... | •Junta torica | •O-ring..... | |
| 11 | VOE 11088052 | 2 | 2 | | | | •Bushing..... | •Bague | •Buchse | •Casquillo | •Bussning..... | |
| 12 | VOE 4782406 | 1 | 1 | | | | •Piston..... | •Piston..... | •Kolben..... | •Piston | •Kolv..... | |
| 13 | VOE 4833023 | 1 | 1 | | K | | •Seal | •Joint | •Dichtring..... | •Junta | •Tätning..... | |
| 14 | VOE 4782718 | 1 | 1 | | | | •Pin | •Goupille..... | •Zapfen..... | •Pasador..... | •Tapp | |
| 15 | VOE 13980338 | 8 | | | | | •Allen Hd Screw | •Vis A 6 Pans Cr | •Inbusschraube | •Torn Hex Embut..... | •Insexskruv..... | |
| 16 | VOE 13941907 | 8 | | | | | •Spring Washer..... | •Rondelle élastique | •Federscheibe | •Arandela flexible | •Fjäderbricka..... | |
| | VOE 11709817 | 1 | 1 | | | | Sealing Kit..... | Jeu Joints | Dichtungssatz..... | Juego Retenes | Tätningssats..... | |

| | | | | |
|---|----------|--|-------------------------------|-------------------------|
| 1 | 11107525 | Hydraulcylinder Cilindros hidráulicos Hydraulikzylinder Vérins hydrauliques Hydraulic cylinder STD, OPEN ROPS | Catalogue id 20007 | Group 645 |
| 2 | 11107766 | | Illustr. No 1000731 | Section 200 |
| 3 | | | | Issue VOE 63D9920007 |
| 4 | | | | |
| 5 | | | | |

VOLVO

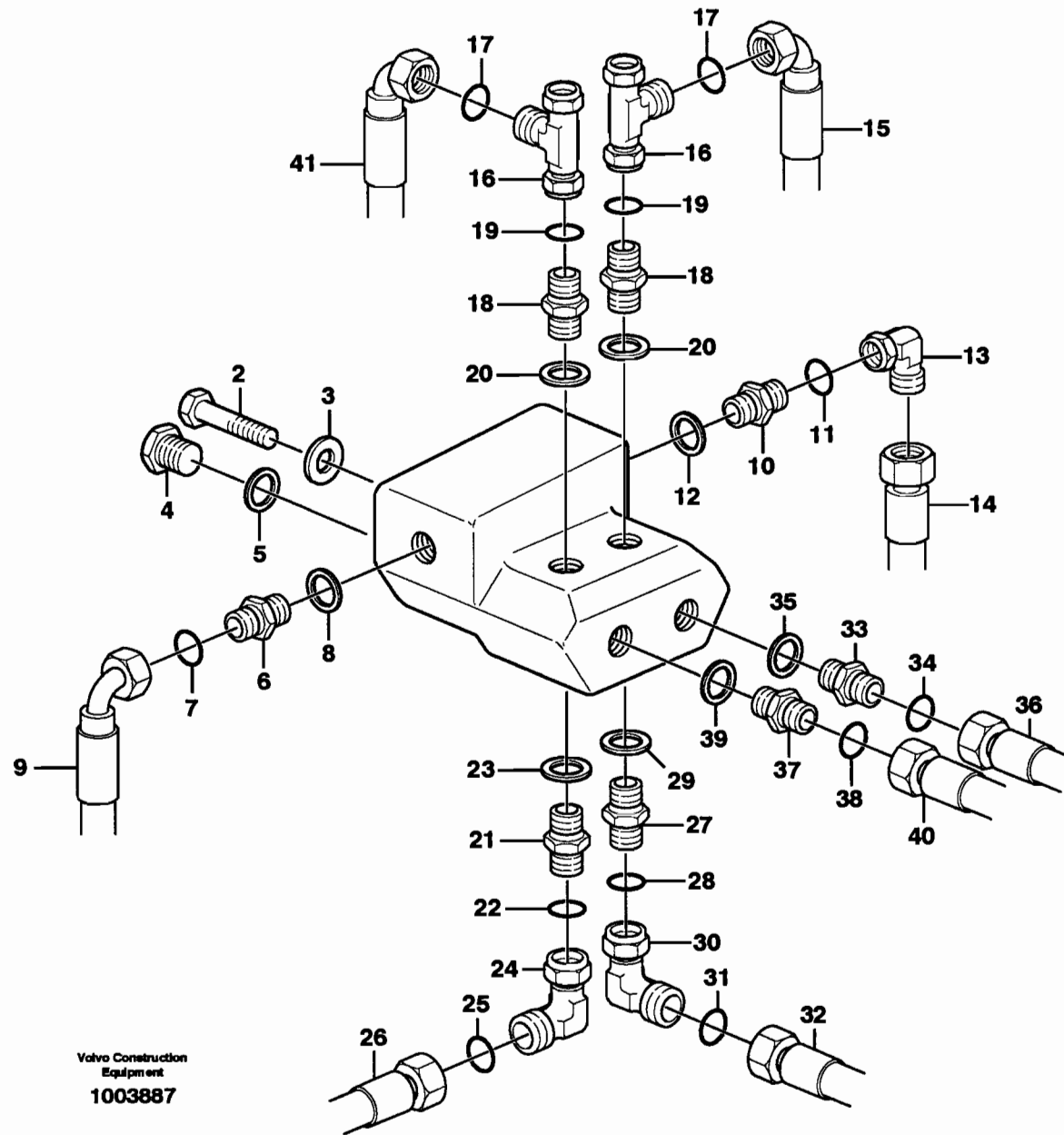
L90E



Volvo Construction
 Equipment
 1003887

| Fig. | Part No. | Quantity | | | P S | K I T | Description | Dénomination | Bezeichnung | Denominación | Benämning | Notes |
|------|--------------|----------|---|---|--------|--------------------|-------------------------|----------------------|---------------------|-------------------|---|-------|
| | | 1 | 2 | 3 | | | | | | | | |
| 1 | | 1 | | | | Valve..... | Soupape..... | Ventil..... | Valvula..... | Ventil..... | See group 645, Page 551 | |
| 2 | VOE 13945444 | 2 | | | | Flange screw..... | Vis à bride..... | Flanschschraube..... | Torn embridado..... | Flänsskruv..... | | |
| 3 | VOE 13960141 | 2 | | | | Washer..... | Rondelle..... | Scheibe..... | Arandela..... | Bricka..... | | |
| 4 | VOE 944507 | 2 | | | | Plug..... | Bouchon..... | Stopfen..... | Tapon..... | Plugg..... | | |
| 5 | VOE 14013069 | 2 | | | | Gasket..... | Joint..... | Dichtung..... | Junta..... | Packning..... | | |
| 6 | VOE 13933871 | 1 | | | | Nipple..... | Raccord..... | Nippel..... | Niple..... | Nippel..... | (VOE 943908) | |
| 7 | VOE 4880493 | 1 | | | | •O-ring..... | •Joint Torique..... | •O-Ring..... | •Junta torica..... | •O-ring..... | | |
| 8 | VOE 14211858 | 1 | | | | •Sealing ring..... | •Bague d'étanchéité...• | •Runddichtring..... | •Anillo reten..... | •Tätningring..... | | |
| 9 | | 1 | | | | Hose assembly..... | Conduit flexible..... | Schlauchleitung..... | Conducto..... | Slangledning..... | See group 645, Page 535 | |
| 10 | VOE 935203 | 1 | | | | Nipple..... | Raccord..... | Nippel..... | Niple..... | Nippel..... | | |
| 11 | VOE 4880663 | 1 | | | | •O-ring..... | •Joint Torique..... | •O-Ring..... | •Junta torica..... | •O-ring..... | | |
| 12 | VOE 14211860 | 1 | | | | •Sealing ring..... | •Bague d'étanchéité...• | •Runddichtring..... | •Anillo reten..... | •Tätningring..... | | |
| 13 | VOE 935423 | 1 | | | | Elbow nipple..... | Raccord angulaire..... | Winkelrippel..... | Niple angular..... | Vinkelrippel..... | | |
| 14 | | 1 | | | | Hose assembly..... | Conduit flexible..... | Schlauchleitung..... | Conducto..... | Slangledning..... | See group 645, Page 535 | |
| 15 | | 2 | | | | Hose assembly..... | Conduit flexible..... | Schlauchleitung..... | Conducto..... | Slangledning..... | See group 645, Page 535 | |
| 16 | VOE 13933878 | 2 | | | | Nipple..... | Raccord..... | Nippel..... | Niple..... | Nippel..... | | |
| 17 | VOE 4880493 | 2 | | | | •O-ring..... | •Joint Torique..... | •O-Ring..... | •Junta torica..... | •O-ring..... | | |
| 18 | VOE 13933871 | 2 | | | | Nipple..... | Raccord..... | Nippel..... | Niple..... | Nippel..... | | |
| 19 | VOE 4880493 | 2 | | | | •O-ring..... | •Joint Torique..... | •O-Ring..... | •Junta torica..... | •O-ring..... | | |
| 20 | VOE 14211858 | 2 | | | | •Sealing ring..... | •Bague d'étanchéité...• | •Runddichtring..... | •Anillo reten..... | •Tätningring..... | | |
| 21 | VOE 13933871 | 1 | | | | Nipple..... | Raccord..... | Nippel..... | Niple..... | Nippel..... | SER NO - 20837 SER NO - 66464 USA SER NO - 70887 BRAZIL | |
| 22 | VOE 4880493 | 1 | | | | •O-ring..... | •Joint Torique..... | •O-Ring..... | •Junta torica..... | •O-ring..... | | |
| 23 | VOE 14211858 | 1 | | | | •Sealing ring..... | •Bague d'étanchéité...• | •Runddichtring..... | •Anillo reten..... | •Tätningring..... | | |
| | VOE 13933870 | 1 | | | | Elbow nipple..... | Raccord angulaire..... | Winkelrippel..... | Niple angular..... | Vinkelrippel..... | SER NO 20838 - SER NO 66465 - USA SER NO 70888 - BRAZIL | |
| | VOE 4880493 | 1 | | | | •O-ring..... | •Joint Torique..... | •O-Ring..... | •Junta torica..... | •O-ring..... | | |

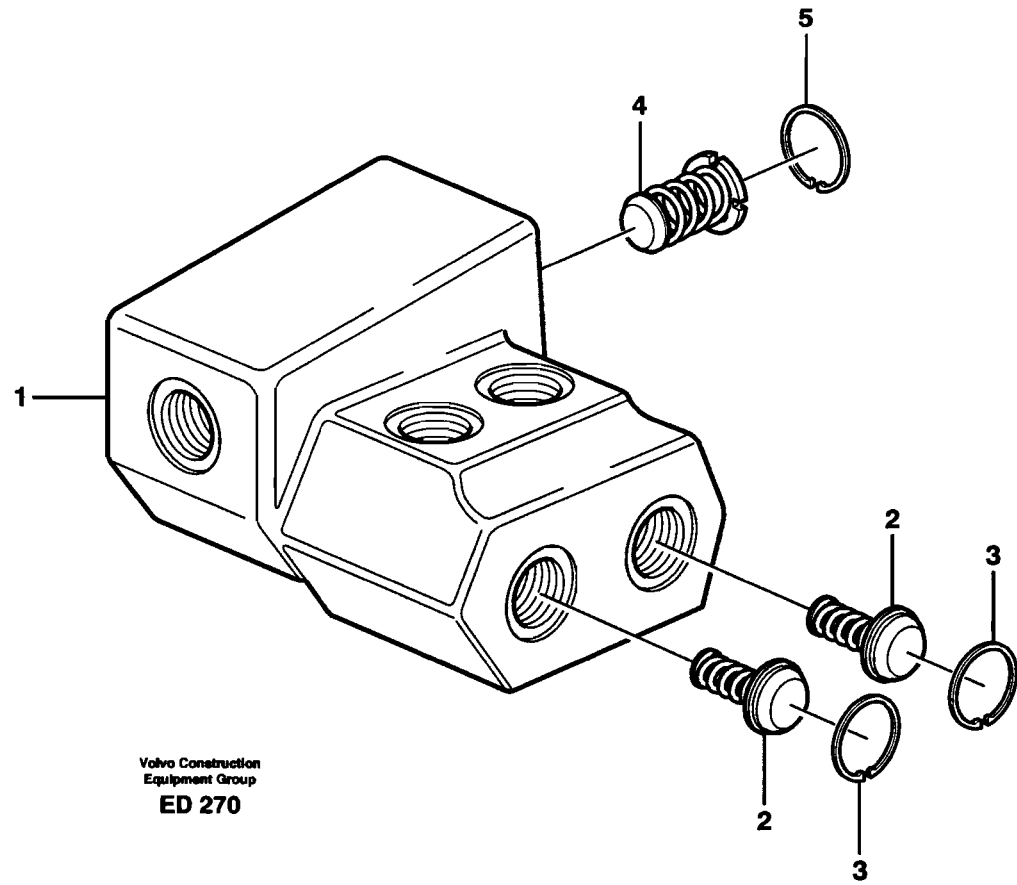
| | | | | |
|---|--|---|-----------------------|------------|
| 1 | | Skiftventil med monteringsdetaljer Válvula de cambio con accesorios de montaje Schiebeventil mit Montageteilen Valve de sélection avec pièces de montage Shift valve with fitting parts STD, OPEN ROPS | Catalogue id | Group |
| 2 | | | 20007 | 645 |
| 3 | | | Illustr. No | Section |
| 4 | | | 1003887 | 300 |
| 5 | | | Issue | Page |
| | | | VOE 63D9920007 | 547 |



Valve Construction
 Equipment
 1003887

| Fig. | Part No. | Quantity | | | P S | K T | Description | Dénomination | Bezeichnung | Denominación | Benämning | Notes |
|------|--------------|----------|---|---|--------|--------|--------------------|--------------------------|----------------------|--------------------|-------------------|---|
| | | 1 | 2 | 3 | | | | | | | | |
| 24 | VOE 13933872 | 1 | | | | | Elbow nipple..... | Raccord angulaire..... | Winkelnippel..... | Niple angular..... | Vinkelnippel..... | SER NO - 20837 SER NO - 66464 USA SER NO - 70887 BRAZIL |
| 25 | VOE 4880493 | 1 | | | | | •O-ring..... | •Joint Torique..... | •O-Ring..... | •Junta torica..... | •O-ring..... | |
| 26 | | 1 | | | | | Hose assembly..... | Conduit flexible..... | Schlauchleitung..... | Conducto..... | Slangedning..... | See group 645, Page 535 |
| 27 | VOE 13933871 | 1 | | | | | Nipple..... | Raccord..... | Nippel..... | Niple..... | Nippel..... | |
| 28 | VOE 4880493 | 1 | | | | | •O-ring..... | •Joint Torique..... | •O-Ring..... | •Junta torica..... | •O-ring..... | |
| 29 | VOE 14211858 | 1 | | | | | •Sealing ring..... | •Bague d'étanchéité..... | •Runddichtring..... | •Anillo reten..... | •Tätningring..... | |
| 30 | VOE 13933872 | 1 | | | | | Elbow nipple..... | Raccord angulaire..... | Winkelnippel..... | Niple angular..... | Vinkelnippel..... | |
| 31 | VOE 4880493 | 1 | | | | | •O-ring..... | •Joint Torique..... | •O-Ring..... | •Junta torica..... | •O-ring..... | |
| 32 | | 1 | | | | | Hose assembly..... | Conduit flexible..... | Schlauchleitung..... | Conducto..... | Slangedning..... | See group 645, Page 535 |
| 33 | VOE 13933917 | 1 | | | | | Nipple..... | Raccord..... | Nippel..... | Niple..... | Nippel..... | |
| 34 | VOE 4880493 | 1 | | | | | •O-ring..... | •Joint Torique..... | •O-Ring..... | •Junta torica..... | •O-ring..... | |
| 35 | VOE 14211859 | 1 | | | | | •Sealing ring..... | •Bague d'étanchéité..... | •Runddichtring..... | •Anillo reten..... | •Tätningring..... | |
| 36 | | 1 | | | | | Hose assembly..... | Conduit flexible..... | Schlauchleitung..... | Conducto..... | Slangedning..... | See group 645, Page 535 |
| 37 | VOE 13933917 | 1 | | | | | Nipple..... | Raccord..... | Nippel..... | Niple..... | Nippel..... | |
| 38 | VOE 4880493 | 1 | | | | | •O-ring..... | •Joint Torique..... | •O-Ring..... | •Junta torica..... | •O-ring..... | |
| 39 | VOE 14211859 | 1 | | | | | •Sealing ring..... | •Bague d'étanchéité..... | •Runddichtring..... | •Anillo reten..... | •Tätningring..... | |
| 40 | | 1 | | | | | Hose assembly..... | Conduit flexible..... | Schlauchleitung..... | Conducto..... | Slangedning..... | See group 645, Page 535 |
| 41 | | 1 | | | | | Hose assembly..... | Conduit flexible..... | Schlauchleitung..... | Conducto..... | Slangedning..... | See group 645, Page 535 |

| | | | |
|---|---|-----------------------|------------|
| 1 | Skiftventil med monteringsdetaljer Válvula de cambio con accesorios de montaje Schiebeventil mit Montageteilen Valve de sélection avec pièces de montage Shift valve with fitting parts STD, OPEN ROPS | Catalogue id | Group |
| 2 | | 20007 | 645 |
| 3 | | Illustr. No | Section |
| 4 | | 1003887 | 300 |
| 5 | | Issue | Page |
| | | VOE 63D9920007 | 549 |



Volvo Construction
Equipment Group
ED 270

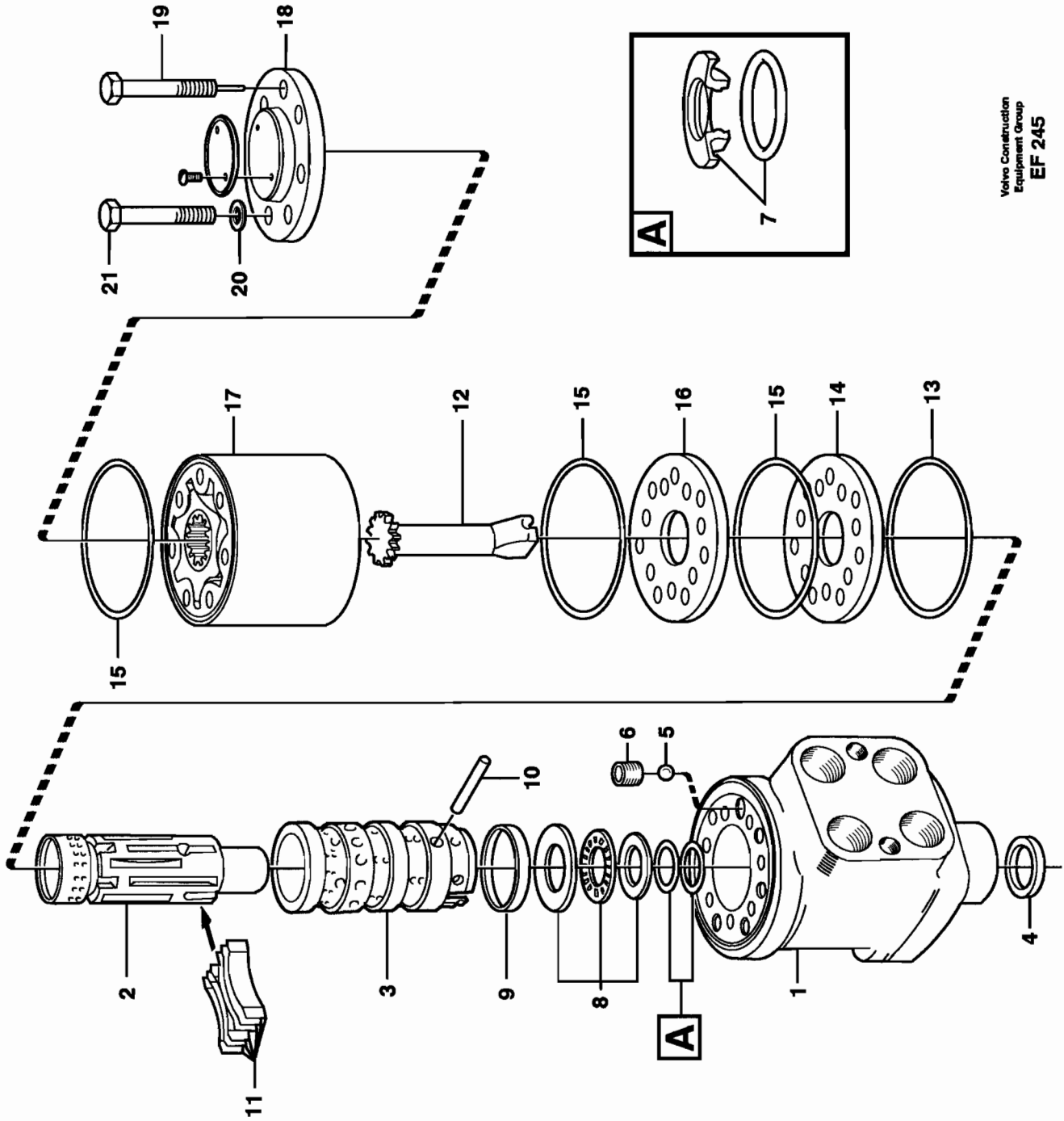


| Fig. | Part No. | Quantity | | | P S | K T | Description | Dénomination | Bezeichnung | Denominación | Benämning | Notes |
|----------|---------------------|----------|---|---|-----------|-----------------------|------------------------|-------------------------|-----------------------------|-----------------------|-----------|-------|
| | | 1 | 2 | 3 | | | | | | | | |
| | VOE 11018250 | 1 | | | | Valve | Soupape..... | Ventil | Valvula | Ventil..... | | |
| 1 | | 1 | | | NS | •Valve housing | •Carter soupape | •Ventilgehäuse | •Cuerpo valvula | •Ventilhus..... | | |
| 2 | VOE 4787060 | 2 | | | | •Check valve | •Valve antiretour..... | •Rückschlagventil | •Válvula de retención | •Backventil..... | | |
| 3 | VOE 914510 | 2 | | | | •Snap Ring..... | •Circlip..... | •Nutting | •Circlip | •Spårring..... | | |
| 4 | VOE 11018248 | 1 | | | | •Chk Valve Insr | •Cart.antiretour..... | •R Vent Einsatz | •Elem Valv Reten | •Backvent.insats..... | | |
| 5 | VOE 13948527 | 1 | | | | •Snap Ring..... | •Circlip..... | •Nutting | •Circlip | •Spårring..... | | |

| | | | |
|----------|--|-----------------------|----------------|
| 1 | Skiftventil Válvula de cambio Schiebeventil Valve de sélection Shift valve STD, OPEN ROPS | Catalogue id | Group |
| 2 | | 20007 | 645 |
| 3 | | Illustr. No | Section |
| 4 | | ED270 | 350 |
| 5 | | Issue | Page |
| | | VOE 63D9920007 | 551 |

VOLVO

L90E



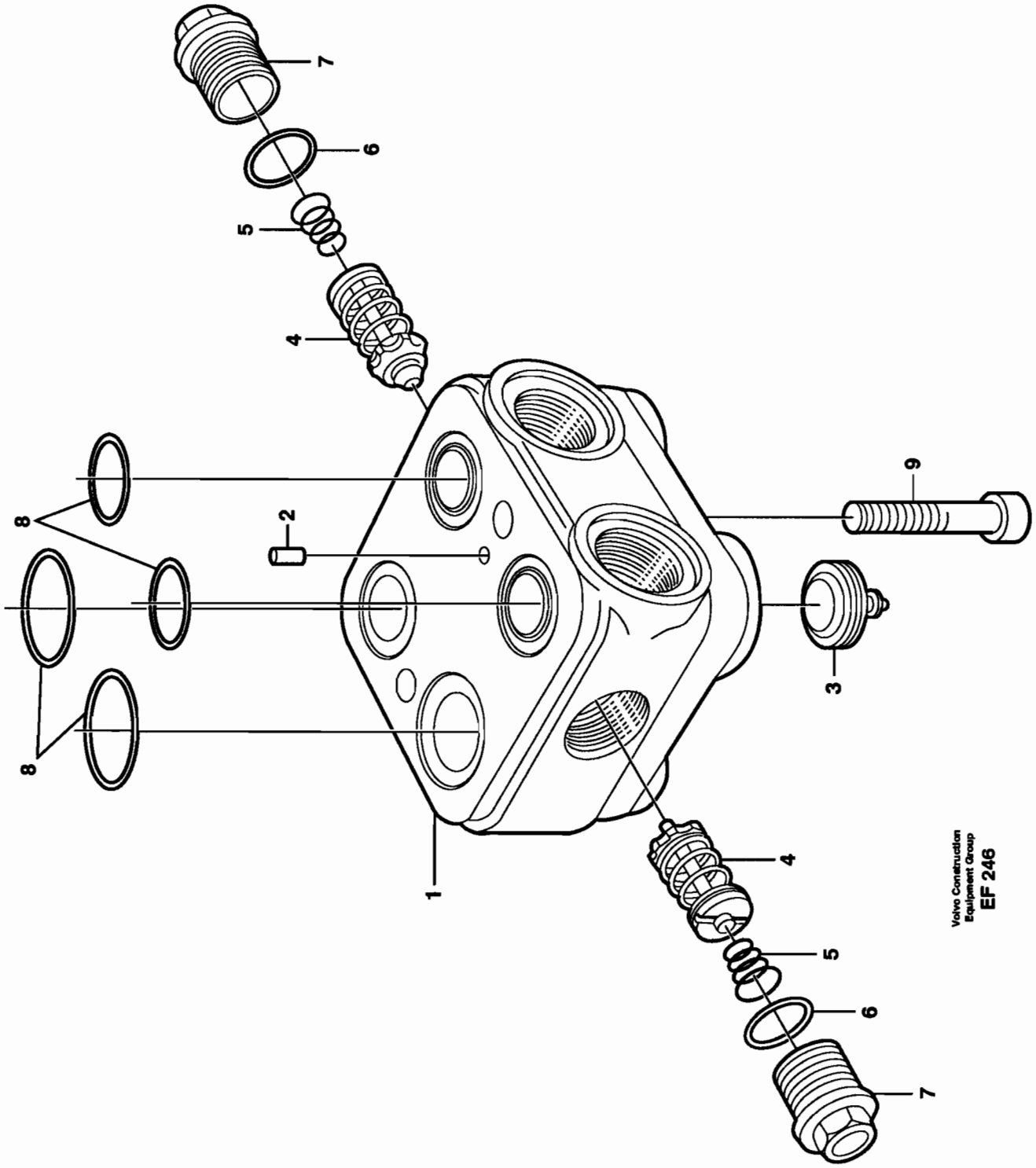
Volvo Construction
 Equipment Group
EF 245

| Fig. | Part No. | Quantity | | | P S | K I T | Description | Dénomination | Bezeichnung | Denominación | Benämning | Notes |
|------|--------------|----------|---|---|--------|-----------------------|---------------------------|----------------------|------------------------|---------------------|-----------|-------|
| | | 1 | 2 | 3 | | | | | | | | |
| | VOE 11700244 | 1 | | | | Shf Cont Valve | Valve Guide | Schaltventil | Valvula Mando | Styrventil | | |
| 1 | | 1 | | | NS | •Housing | •Carter | •Gehäuse | •Carter | •Hus | | |
| 2 | | 1 | | | NS | •Slide | •Tiroir | •Schieber | •Corredera | •Slid | | |
| 3 | | 1 | | | NS | •Sleeve | •Douille | •Hülse | •Manguito | •Hylsa | | |
| 4 | VOE 6639845 | 1 | | | K | •Seal | •Joint | •Dichtung | •Reten | •Tätning | | |
| 5 | VOE 184645 | 1 | | | | •Ball | •Bille | •Kugel | •Bola | •Kula | | |
| 6 | VOE 595380 | 1 | | | | •Bushing | •Bague | •Buchse | •Casquillo | •Bussning | | |
| 7 | VOE 11701273 | 1 | | | K | •Sealing ring | •Bague d'étanchéité | •Runddichtring | •Anillo reten | •Tätningsring | | |
| | VOE 11701272 | 1 | | | | •O-ring | •Joint Torique | •O-Ring | •Junta torica | •O-ring | | |
| 8 | VOE 6211922 | 1 | | | | •Thrust Bearing | •Palier Butee | •Drucklager | •Cojinet Presion | •Trycklager | | |
| 9 | VOE 6213305 | 1 | | | | •Ring | •Anneau | •Ring | •Anillo | •Ring | | |
| 10 | VOE 595377 | 1 | | | | •Pin | •Goupille | •Zapfen | •Pasador | •Tapp | | |
| 11 | VOE 11996362 | 1 | | | | •Spring Kit | •Jeu Ressorts | •Federsatz | •Juego Resortes | •Fjädersats | | |
| 12 | VOE 11996374 | 1 | | | | •Shaft | •Arbre | •Welle | •Arbol | •Axel | | |
| 13 | VOE 595381 | 1 | | | K | •O-ring | •Joint Torique | •O-Ring | •Junta torica | •O-ring | | |
| 14 | VOE 11988207 | 1 | | | | •Plate | •Plaque | •Platte | •Placa | •Platta | | |
| 15 | VOE 595382 | 3 | | | K | •O-ring | •Joint Torique | •O-Ring | •Junta torica | •O-ring | | |
| 16 | VOE 11988207 | 1 | | | | •Plate | •Plaque | •Platte | •Placa | •Platta | | |
| 17 | VOE 11999242 | 1 | | | | •Rotor Kit | •Kit Rotor | •Rotorsatz | •Juego Rotor | •Rotorsats | | |
| 18 | VOE 595383 | 1 | | | | •Cover | •Couvercle | •Deckel | •Tapa | •Lock | | |
| 19 | VOE 11993451 | 1 | | | | •Screw | •Vis | •Schraube | •Tornillo | •Skruv | | |
| 20 | VOE 6625755 | 7 | | | K | •Washer | •Rondelle | •Scheibe | •Arandela | •Bricka | | |
| 21 | VOE 11993452 | 6 | | | | •Screw | •Vis | •Schraube | •Tornillo | •Skruv | | |
| | VOE 11701270 | 1 | | | | •Sealing Kit | •Jeu Joints | •Dichtungssatz | •Juego Retenes | •Tätningssats | | |

| | | | | |
|---|--|--|-----------------------|------------|
| 1 | | Styrventil Válvula de dirección Lenkventil Distributeur de direction Steering unit STD, OPEN ROPS | Catalogue id | Group |
| 2 | | | 20007 | 645 |
| 3 | | | Illustr. No | Section |
| 4 | | | EF245 | 400 |
| 5 | | | Issue | Page |
| | | | VOE 63D9920007 | 553 |

VOLVO

L90E



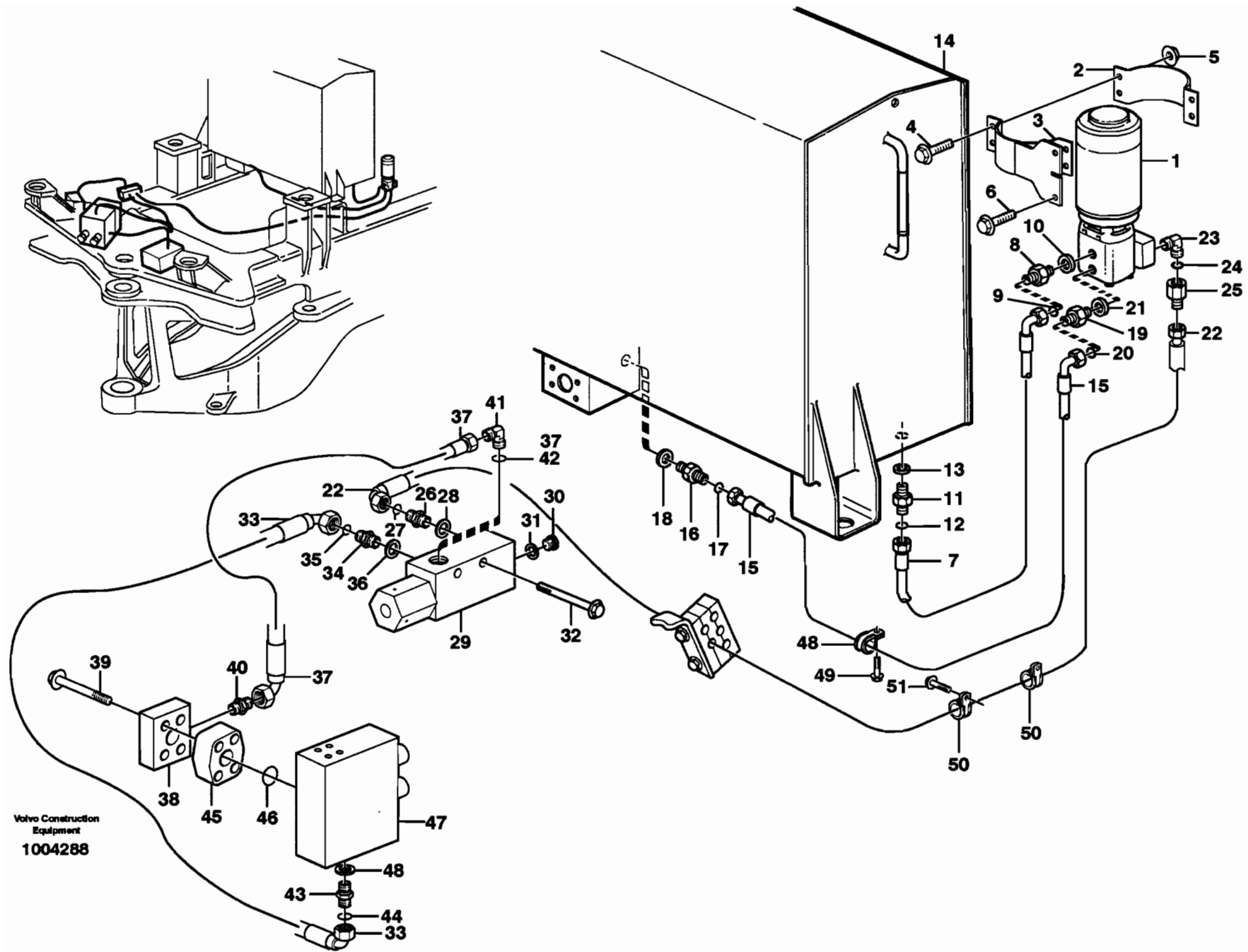
Volvo Construction
Equipment Group
EF 246

| Fig. | Part No. | Quantity | | | P S | K I T | Description | Dénomination | Bezeichnung | Denominación | Benämning | Notes |
|------|---------------------|----------|---|---|--------|-------------------|------------------------|--------------------|-------------------------|-------------------|-----------|-------|
| | | 1 | 2 | 3 | | | | | | | | |
| | VOE 11701278 | 1 | | | | Valve block..... | Bloc-soupape | Ventilblock..... | Bloque de valvula | Ventilblock..... | | |
| 1 | | 1 | | | NS | •Housing | •Carter | •Gehäuse | •Carter | •Hus..... | | |
| 2 | | 1 | | | NS | •Pin | •Goupille..... | •Stift..... | •Pasador..... | •Pinne..... | | |
| 3 | | 1 | | | NS | •Valve..... | •Soupape | •Ventil..... | •Valvula | •Ventil..... | | |
| 4 | VOE 11712500 | 2 | | | | •Shock Valve..... | •Soupa.antichocs | •Schockventil..... | •Valvula Control..... | •Chockventil..... | | |
| 5 | VOE 11998573 | 2 | | | | •Spring | •Ressort | •Feder..... | •Muelle | •Fjäder..... | | |
| 6 | VOE 11700195 | 2 | | | | •O-ring..... | •Joint Torique..... | •O-Ring..... | •Junta torica | •O-ring..... | | |
| 7 | VOE 11700780 | 2 | | | | •Plug | •Bouchon..... | •Stopfen | •Tapon | •Plugg..... | | |
| 8 | VOE 11994428 | 1 | | | | •O-ring Kit | •Jeu Join.toriq. | •O-ringsatz | •Jueg Anil Toric | •O-ringsats..... | | |
| 9 | VOE 11994509 | 2 | | | | •Screw..... | •Vis..... | •Schraube..... | •Tornillo | •Skruv..... | | |

| | | | | |
|---|--|---------------------------|-----------------------|------------|
| 1 | | Ventilblock | Catalogue id | Group |
| 2 | | Bloque de válvulas | 20007 | 645 |
| 3 | | Ventilgruppe | Illustr. No | Section |
| 4 | | Bloc-soupapes | EF246 | 450 |
| 5 | | Valve body | Issue | Page |
| | | STD, OPEN ROPS | VOE 63D9920007 | 555 |

VOLVO

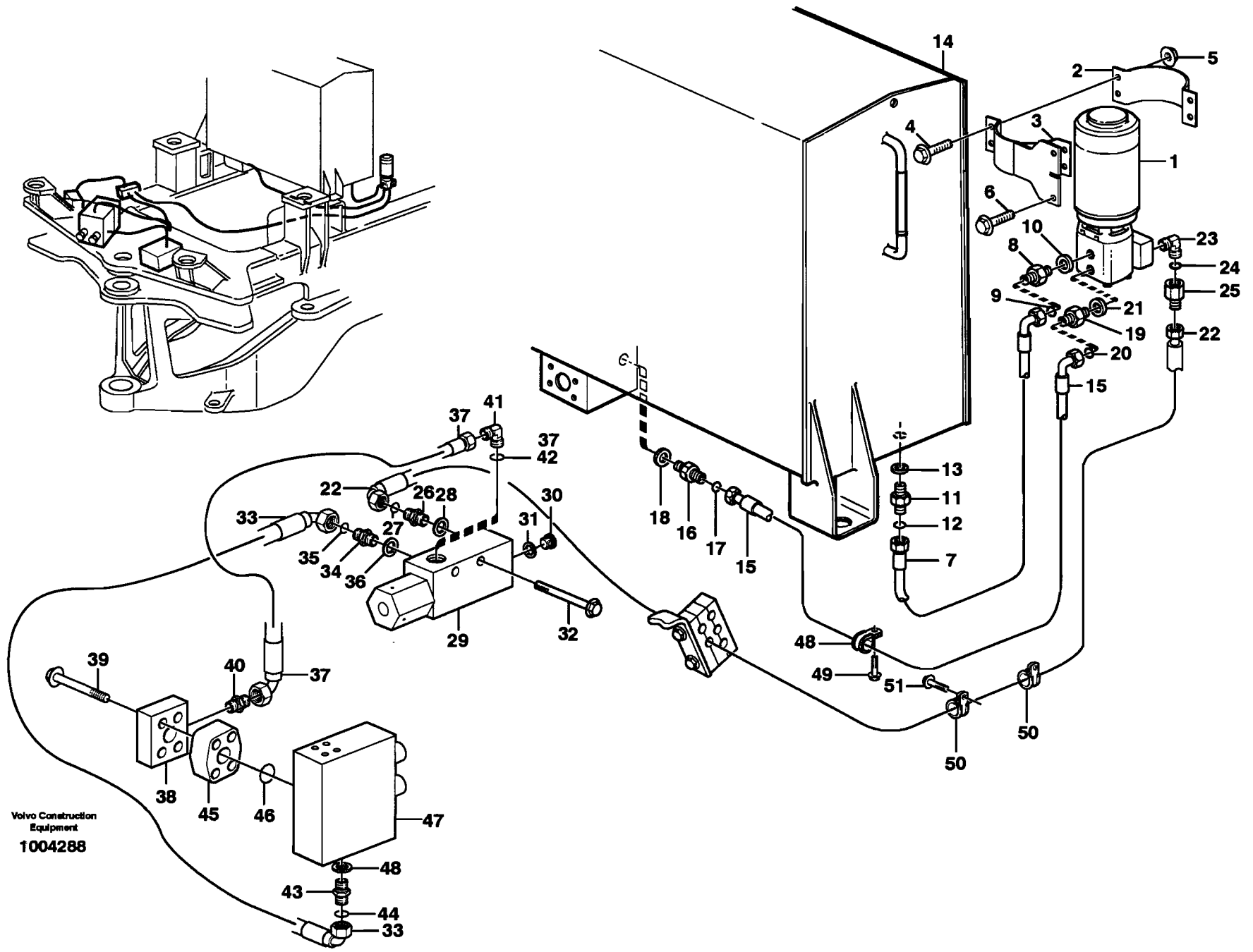
L90E



Volvo Construction
 Equipment
 1004288

| Fig. | Part No. | Quantity | | | P S | K I T | Description | Dénomination | Bezeichnung | Denominación | Benämning | Notes |
|------|--------------|----------|---|---|--------|----------------------|---------------------------|------------------------|------------------------|----------------------|-------------------------|-------|
| | | 1 | 2 | 3 | | | | | | | | |
| 1 | | 1 | | | | Pump unit..... | Ensemble pompe | Pumpenaggregat..... | Unid bomba..... | Pumpaggregat..... | See group 647, Page 561 | |
| 2 | VOE 11173983 | 1 | | | | Clamp..... | Pince Serrage | Klemme..... | Abrazadera..... | Klämma..... | | |
| 3 | VOE 11173867 | 1 | | | | Attachment..... | Fixation | Halterung..... | Fijacion..... | Fäste..... | | |
| 4 | VOE 946671 | 4 | | | | Flange screw..... | Vis à bride | Flanschschraube..... | Torn embridado..... | Flänsskruv..... | | |
| 5 | VOE 948645 | 4 | | | | Flange Lock Nut..... | Contre écrou bride | Flanschmutter | Contratuer Embr..... | Flänslåsmutter..... | | |
| 6 | VOE 13965185 | 2 | | | | Flange screw..... | Vis à bride | Flanschschraube..... | Torn embridado..... | Flänsskruv..... | | |
| 7 | VOE 11173209 | 1 | | | | Hose assembly | Conduit flexible | Schlauchleitung..... | Conducto..... | Slangledning..... | L = 320 MM | |
| 8 | VOE 13933914 | 1 | | | | Nipple..... | Raccord..... | Nippel..... | Niple..... | Nippel..... | | |
| 9 | VOE 4880663 | 1 | | | | •O-ring..... | •Joint Torique | •O-Ring..... | •Junta torica | •O-ring..... | | |
| 10 | VOE 14211858 | 1 | | | | •Sealing ring..... | •Bague d'étanchéité | •Runddichtring..... | •Anillo reten | •Tättningsring..... | | |
| 11 | VOE 935037 | 1 | | | | Nipple..... | Raccord..... | Nippel..... | Niple..... | Nippel..... | | |
| 12 | VOE 4880663 | 1 | | | | •O-ring..... | •Joint Torique | •O-Ring..... | •Junta torica | •O-ring..... | | |
| 13 | VOE 14211864 | 1 | | | | •Sealing ring..... | •Bague d'étanchéité | •Runddichtring..... | •Anillo reten | •Tättningsring..... | | |
| 14 | | 1 | | | | Hydr fluid tank..... | Reser.fluid.hy. | Druckölbehälter | Dep aceite hidr | Hydrauloljetank..... | See group 911, Page 793 | |
| 15 | VOE 11173310 | 1 | | | | Hose assembly | Conduit flexible | Schlauchleitung..... | Conducto..... | Slangledning..... | L = 640 MM | |
| 16 | VOE 13933855 | 1 | | | | Nipple..... | Raccord..... | Nippel..... | Niple..... | Nippel..... | | |
| 17 | VOE 4880492 | 1 | | | | •O-ring..... | •Joint Torique | •O-Ring..... | •Junta torica | •O-ring..... | | |
| 18 | VOE 14213676 | 1 | | | | •Sealing ring..... | •Bague d'étanchéité | •Runddichtring..... | •Anillo reten | •Tättningsring..... | | |
| 19 | VOE 13933897 | 1 | | | | Nipple..... | Raccord..... | Nippel..... | Niple..... | Nippel..... | | |
| 20 | VOE 4880492 | 1 | | | | •O-ring..... | •Joint Torique | •O-Ring..... | •Junta torica | •O-ring..... | | |
| 21 | VOE 14211856 | 1 | | | | •Sealing ring..... | •Bague d'étanchéité | •Runddichtring..... | •Anillo reten | •Tättningsring..... | | |
| 22 | VOE 11173208 | 1 | | | | Hose assembly | Conduit flexible | Schlauchleitung..... | Conducto..... | Slangledning..... | L = 750MM | |
| 23 | VOE 13933927 | 1 | | | | Elbow nipple..... | Raccord angulaire | Winkelnippel..... | Niple angular | Vinkelnippel..... | | |
| 24 | VOE 4880493 | 1 | | | | •O-ring..... | •Joint Torique | •O-Ring..... | •Junta torica | •O-ring..... | | |
| 25 | VOE 11173386 | 1 | | | | Check valve | Valve antiretour..... | Rückschlagventil | Válvula de retención.. | Backventil..... | | |
| 26 | VOE 13933853 | 1 | | | | Nipple..... | Raccord..... | Nippel..... | Niple..... | Nippel..... | | |
| 27 | VOE 4880493 | 1 | | | | •O-ring..... | •Joint Torique | •O-Ring..... | •Junta torica | •O-ring..... | | |
| 28 | VOE 14211863 | 1 | | | | •Sealing ring..... | •Bague d'étanchéité | •Runddichtring..... | •Anillo reten | •Tättningsring..... | | |
| 29 | | 1 | | | | Press monitor..... | Capteur.pression..... | Druckwächter | Avisador pres | Tryckvakt..... | See group 647, Page 563 | |
| 30 | VOE 944505 | 1 | | | | Plug..... | Bouchon..... | Stopfen..... | Tapon..... | Plugg..... | | |

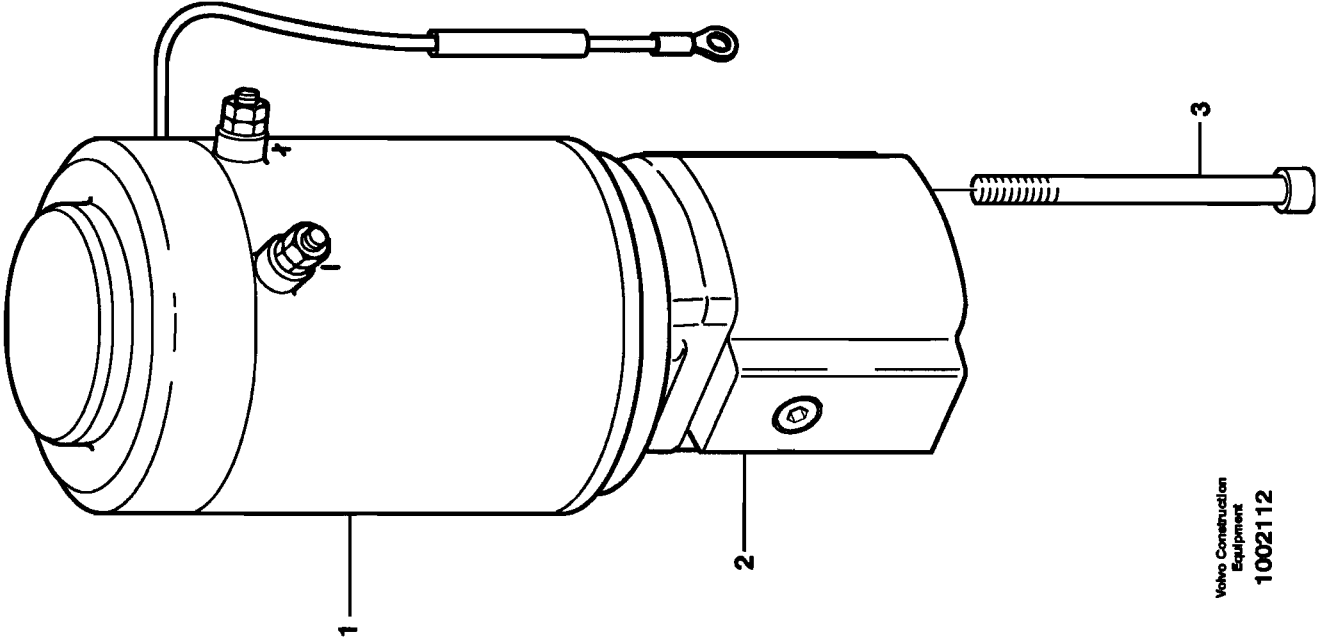
| | | | |
|---|--|-----------------------|------------|
| 1 | Reservstýrsystem. Dirección de emergencia. Hilfenkung. Direction de secours. Secondary steering system. 80932 | Catalogue id | Group |
| 2 | | 20007 | 647 |
| 3 | | Illustr. No | Section |
| 4 | | 1004288 | 100 |
| 5 | | Issue | Page |
| | | VOE 63D9920007 | 557 |



Volvo Construction
 Equipment
 1004288

| Fig. | Part No. | Quantity | | | P S | K I T | Description | Dénomination | Bezeichnung | Denominación | Benämning | Notes |
|------|--------------|----------|---|---|--------|-------------|------------------------|---------------------------|------------------------|----------------------------|------------------------|-------------------------|
| | | 1 | 2 | 3 | | | | | | | | |
| 31 | VOE 14013067 | 1 | | | | | Sealing washer | Rond.etancheite | Dichtscheibe | Arandela reten | Tätningsbricka | (VOE 943907) |
| 32 | VOE 13965180 | 2 | | | | | Flange screw | Vis à bride | Flanschschraube | Torn embridado | Flänsskruv | |
| 33 | VOE 11172003 | 1 | | | | | Hose assembly | Conduit flexible | Schlauchleitung | Conducto | Slangledning | L = 700MM |
| 34 | VOE 935548 | 2 | | | | | Nipple | Raccord | Nippel | Niple | Nippel | |
| 35 | VOE 4881722 | 2 | | | | | •O-ring | •Joint Torique | •O-Ring | •Junta torica | •O-ring | |
| 36 | VOE 14211856 | 2 | | | | | •Sealing ring | •Bague d'étanchéité | •Runddichtring | •Anillo reten | •Tätningsring | |
| 37 | VOE 11173208 | 1 | | | | | Hose assembly | Conduit flexible | Schlauchleitung | Conducto | Slangledning | |
| 38 | | 1 | | | NS | | Connecting block | Bloc raccord | Anschlusssockel | Bloque conector | Anslutningsblock | |
| 39 | VOE 13965190 | 4 | | | | | Screw | Vis | Schraube | Tornillo | Skruv | |
| 40 | VOE 13933853 | 1 | | | | | Nipple | Raccord | Nippel | Niple | Nippel | |
| 41 | VOE 13933869 | 1 | | | | | Elbow Nipple | Raccord angulaire | Winkelnippel | Niple Angular | V-nippel | |
| 42 | VOE 4880493 | 1 | | | | | •O-ring | •Joint Torique | •O-Ring | •Junta torica | •O-ring | |
| 43 | VOE 13933859 | 1 | | | | | Nipple | Raccord | Nippel | Niple | Nippel | |
| 44 | VOE 4881722 | 2 | | | | | O-ring | Joint Torique | O-Ring | Junta torica | O-ring | |
| 45 | VOE 11173249 | 1 | | | | | Check valve | Valve antiretour | Rückschlagventil | Válvula de retención | Backventil | |
| 46 | VOE 13948699 | 1 | | | | | O-ring | Joint Torique | O-Ring | Junta torica | O-ring | |
| 47 | | 1 | | | | | Valve block | Bloc-soupape | Ventilblock | Bloque de valvula | Ventilblock | See group 912, Page 823 |
| 48 | VOE 942810 | 1 | | | | | Clamp | Pince Serrage | Klemme | Abrazadera | Klämma | |
| 49 | VOE 946440 | 1 | | | | | Flange screw | Vis à bride | Flanschschraube | Torn embridado | Flänsskruv | |
| 50 | VOE 13977599 | 2 | | | | | Clamp | Pince Serrage | Klemme | Abrazadera | Klämma | |
| 51 | VOE 946440 | 2 | | | | | Flange screw | Vis à bride | Flanschschraube | Torn embridado | Flänsskruv | |

| | | | |
|---|--|-----------------------|------------|
| 1 | Reservstýrsystem. Dirección de emergencia. Hilfflenkung. Direction de secours. Secondary steering system. | Catalogue id | Group |
| 2 | | 20007 | 647 |
| 3 | | Illustr. No | Section |
| 4 | | 1004288 | 100 |
| 5 | | Issue | Page |
| | 80932 | VOE 63D9920007 | 559 |



Volvo Construction
Equipment
1002112

| Fig. | Part No. | Quantity | | | P S | K I T | Description | Dénomination | Bezeichnung | Denominación | Benämning | Notes |
|------|---------------------|----------|---|---|--------|-------------|-----------------------|--------------------------|----------------------|------------------------|------------------|-------|
| | | 1 | 2 | 3 | | | | | | | | |
| | VOE 11173423 | 1 | | | | | Pump Unit | Unite Pompe | Pumpwerk | Unidad Bomba | Pumpenhet..... | |
| 1 | VOE 11709637 | 1 | | | | | •El Motor | •Moteur électrique | •Elektromotor..... | •Motor eléctrico | •Elmotor..... | |
| 2 | VOE 11706173 | 1 | | | | | •Pump | •Pompe | •Pumpe..... | •Bomba..... | •Pump..... | |
| 3 | VOE 946127 | 2 | | | | | •Allen Hd Screw | •Vis A 6 Pans Cr | •Inbusschraube | •Torn Hex Embut..... | •Insexskruv..... | |

| | | | | |
|---|--|---|-----------------------|------------|
| 1 | | Pumpaggregat. Unid de bomba. Pumpaggregat. Groupe pompe-moteur. Pump unit. 80932 | Catalogue id | Group |
| 2 | | | 20007 | 647 |
| 3 | | | Illustr. No | Section |
| 4 | | | 1002112 | 150 |
| 5 | | | Issue | Page |
| | | | VOE 63D9920007 | 561 |

VOLVO

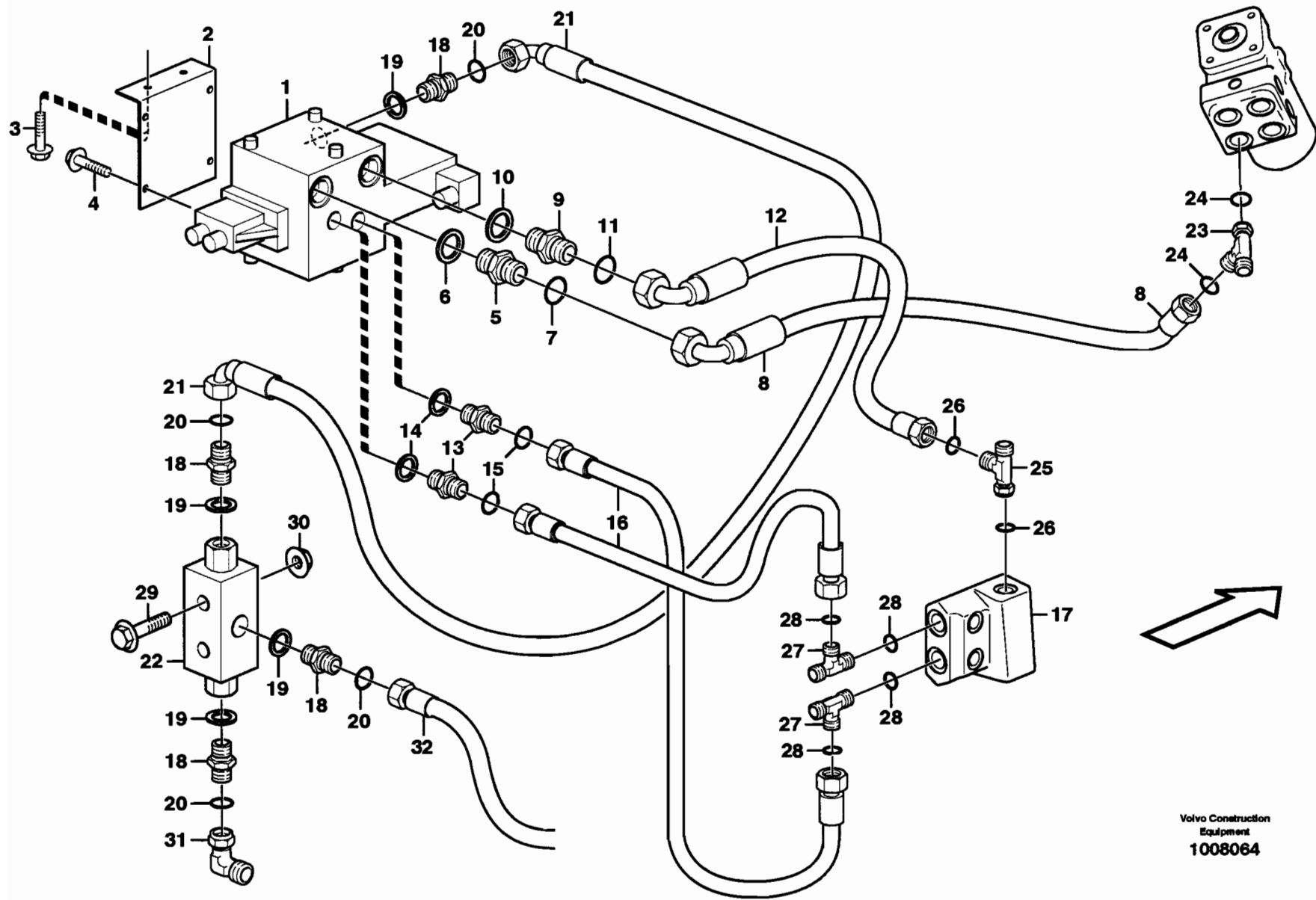
L90E

| Fig. | Part No. | Quantity | | | P S | K I T | Description | Dénomination | Bezeichnung | Denominación | Benämning | Notes |
|------|--------------|----------|---|---|--------|---------------------|-----------------------------|---------------------|----------------------|---------------------|------------------|-------|
| | | 1 | 2 | 3 | | | | | | | | |
| | VOE 11148298 | 1 | | | | Press Monitor..... | Capteu.pression..... | Druckwächter..... | Avisador Pres..... | Tryckvakt..... | REPL BY 11410315 | |
| | VOE 11410315 | | 1 | | | Press Monitor..... | Capteu.pression..... | Druckwächter..... | Avisador Pres..... | Tryckvakt..... | | |
| 1 | | 1 | 1 | | NS | •Nipple..... | •Raccord..... | •Nippel..... | •Niple..... | •Nippel..... | | |
| | VOE 925066 | | 1 | | | •O-ring..... | •Joint Torique..... | •O-Ring..... | •Junta torica..... | •O-ring..... | | |
| 2 | VOE 925051 | 1 | 1 | | | •O-ring..... | •Joint Torique..... | •O-Ring..... | •Junta torica..... | •O-ring..... | | |
| 3 | VOE 962528 | 1 | 1 | | | •Back-up ring..... | •Rondelle anti-extrusi..... | •Stützring..... | •Anillo Apoyo..... | •Stödring..... | | |
| 4 | | 1 | 1 | | NS | •Washer..... | •Rondelle..... | •Scheibe..... | •Arandela..... | •Bricka..... | | |
| 5 | | 1 | 1 | | NS | •Nut..... | •Ecrou..... | •Mutter..... | •Tuerca..... | •Mutter..... | | |
| 6 | VOE 1594043 | 1 | 1 | | | •Switch..... | •Interrupteur..... | •Ausschalter..... | •Interruptor..... | •Strömställare..... | SE601 | |
| 7 | VOE 948884 | 1 | 1 | | | •Plane Gasket..... | •Joint Plan..... | •Flachdichtung..... | •Junta Plana..... | •Planpackning..... | | |
| 8 | VOE 11048063 | 1 | 1 | | | •Spring..... | •Ressort..... | •Feder..... | •Muelle..... | •Fjäder..... | | |
| 9 | | 1 | 1 | | NS | •Guide..... | •Rail..... | •Führung..... | •Guia..... | •Gejd..... | | |
| 10 | | 1 | 1 | | NS | •Piston..... | •Piston..... | •Kolben..... | •Piston..... | •Kolv..... | | |
| 11 | | 1 | 1 | | NS | •Peg..... | •Cheville..... | •Kegel..... | •Eslabon..... | •Kägla..... | | |
| 12 | VOE 958229 | 1 | 1 | | | •O-ring..... | •Joint Torique..... | •O-Ring..... | •Junta torica..... | •O-ring..... | | |
| 13 | | 1 | | | NS | •Valve housing..... | •Carter soupape..... | •Ventilgehäuse..... | •Cuerpo valvula..... | •Ventilhus..... | | |
| | | | 1 | | NS | •Housing..... | •Carter..... | •Gehäuse..... | •Carter..... | •Hus..... | | |

| | | | | |
|---|----------|--|-----------------------|------------|
| 1 | 11148298 | Tryckvakt. Monitor presión. Druckwächter. Capteur pression. Pressure monitor. 80932 | Catalogue id | Group |
| 2 | 11410315 | | 20007 | 647 |
| 3 | | | Illustr. No | Section |
| 4 | | | EL267 | 200 |
| 5 | | | Issue | Page |
| | | | VOE 63D9920007 | 563 |

VOLVO

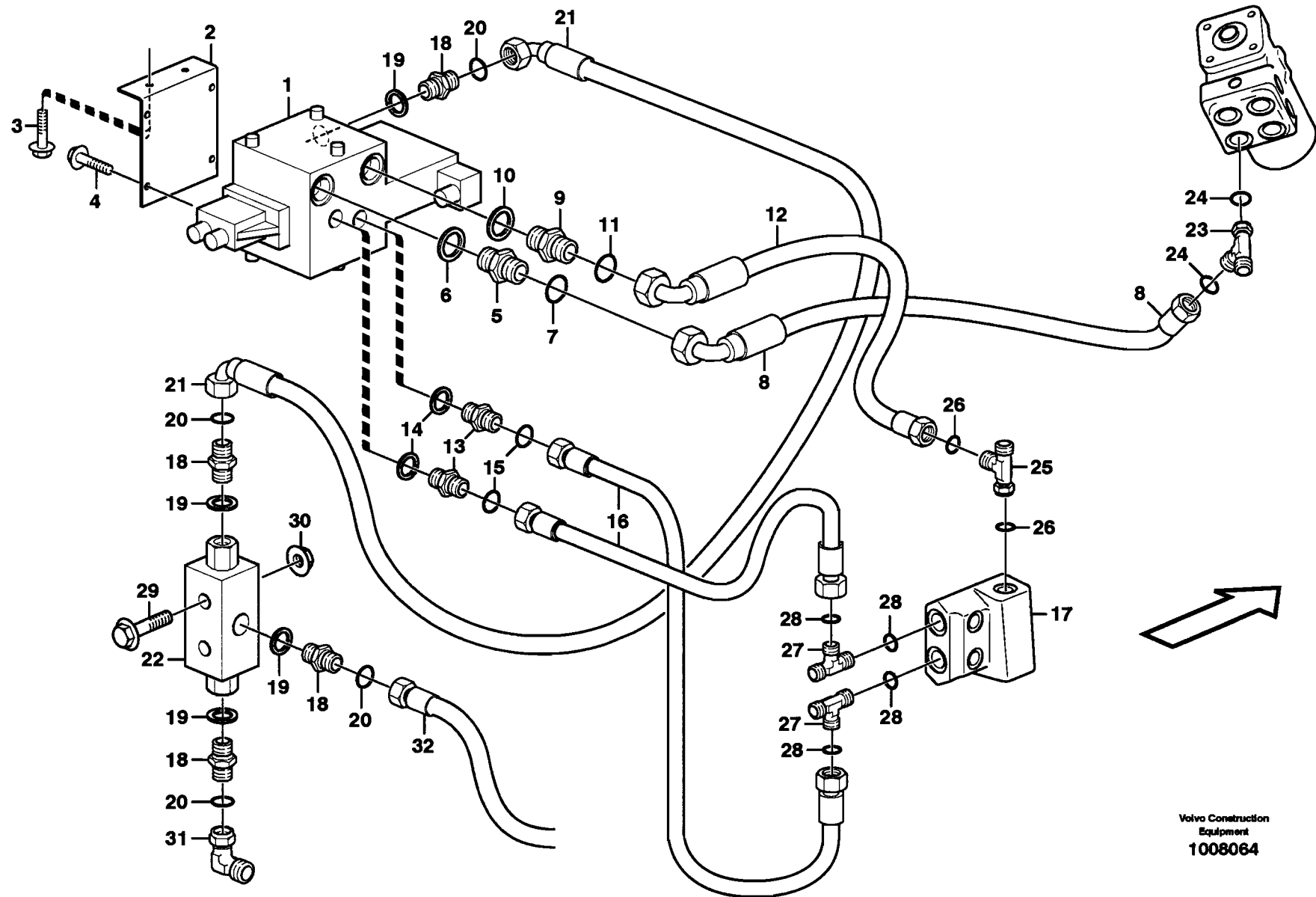
L90E



Volvo Construction
 Equipment
 1008064

| Fig. | Part No. | Quantity | | | P S | K I T | Description | Dénomination | Bezeichnung | Denominación | Benämning | Notes |
|------|--------------|----------|---|---|--------|--------------------|-------------------------|----------------------|------------------------|---------------------|-------------------------|-------|
| | | 1 | 2 | 3 | | | | | | | | |
| 1 | | 1 | | | | Valve..... | Soupape..... | Ventil..... | Valvula..... | Ventil..... | See group 660, Page 569 | |
| 2 | VOE 11410350 | 1 | | | | Bracket..... | Console..... | Konsole..... | Consola..... | Konsol..... | | |
| 3 | VOE 13946173 | 2 | | | | Flange screw..... | Vis à bride..... | Flanschschraube..... | Torn embridado..... | Flänsskruv..... | | |
| 4 | VOE 946440 | 4 | | | | Flange screw..... | Vis à bride..... | Flanschschraube..... | Torn embridado..... | Flänsskruv..... | | |
| 5 | VOE 13933881 | 1 | | | | Nipple..... | Raccord..... | Nippel..... | Niple..... | Nippel..... | | |
| 6 | VOE 14211859 | 1 | | | | •Sealing ring..... | •Bague d'étanchéité .. | •Runddichtring..... | •Anillo reten..... | •Tättningsring..... | | |
| 7 | VOE 4880663 | 1 | | | | •O-ring..... | •Joint Torique..... | •O-Ring..... | •Junta torica..... | •O-ring..... | | |
| 8 | VOE 11173988 | 1 | | | | Hose assembly..... | Conduit flexible..... | Schlauchleitung..... | Conducto..... | Slangledning..... | L = 1220MM | |
| 9 | VOE 13933917 | 1 | | | | Nipple..... | Raccord..... | Nippel..... | Niple..... | Nippel..... | | |
| 10 | VOE 14211859 | 1 | | | | •Sealing ring..... | •Bague d'étanchéité .. | •Runddichtring..... | •Anillo reten..... | •Tättningsring..... | | |
| 11 | VOE 4880493 | 1 | | | | •O-ring..... | •Joint Torique..... | •O-Ring..... | •Junta torica..... | •O-ring..... | | |
| 12 | VOE 11148983 | 1 | | | | Hose assembly..... | Conduit flexible..... | Schlauchleitung..... | Conducto..... | Slangledning..... | L = 580MM | |
| 13 | VOE 13933871 | 2 | | | | Nipple..... | Raccord..... | Nippel..... | Niple..... | Nippel..... | | |
| 14 | VOE 14211859 | 2 | | | | •Sealing ring..... | •Bague d'étanchéité .. | •Runddichtring..... | •Anillo reten..... | •Tättningsring..... | | |
| 15 | VOE 4880493 | 2 | | | | •O-ring..... | •Joint Torique..... | •O-Ring..... | •Junta torica..... | •O-ring..... | | |
| 16 | VOE 11173224 | 2 | | | | Hose assembly..... | Conduit flexible..... | Schlauchleitung..... | Conducto..... | Slangledning..... | L = 400MM | |
| 17 | | 1 | | | | Shift valve..... | Valve de sélection..... | Schiebeventil..... | Válvula de cambia..... | Skiftventil..... | See group 645, Page 547 | |
| 18 | VOE 13933883 | 4 | | | | Nipple..... | Raccord..... | Nippel..... | Niple..... | Nippel..... | | |
| 19 | VOE 14211859 | 4 | | | | •Sealing ring..... | •Bague d'étanchéité .. | •Runddichtring..... | •Anillo reten..... | •Tättningsring..... | | |
| 20 | VOE 4881722 | 4 | | | | •O-ring..... | •Joint Torique..... | •O-Ring..... | •Junta torica..... | •O-ring..... | | |
| 21 | VOE 11163073 | 1 | | | | Hose assembly..... | Conduit flexible..... | Schlauchleitung..... | Conducto..... | Slangledning..... | L = 400MM | |
| 22 | VOE 4880701 | 1 | | | | Shuttle Valve..... | Valve Navette..... | Wechselventil..... | Valv Lanzadera..... | Skyttelventil..... | | |
| 23 | VOE 935028 | 1 | | | | Nipple..... | Raccord..... | Nippel..... | Niple..... | Nippel..... | | |
| 24 | VOE 4880663 | 2 | | | | •O-ring..... | •Joint Torique..... | •O-Ring..... | •Junta torica..... | •O-ring..... | | |
| 25 | VOE 13933878 | 1 | | | | Nipple..... | Raccord..... | Nippel..... | Niple..... | Nippel..... | | |
| 26 | VOE 4880493 | 2 | | | | •O-ring..... | •Joint Torique..... | •O-Ring..... | •Junta torica..... | •O-ring..... | | |
| 27 | VOE 13933878 | 1 | | | | Nipple..... | Raccord..... | Nippel..... | Niple..... | Nippel..... | | |
| 28 | VOE 4880493 | 2 | | | | •O-ring..... | •Joint Torique..... | •O-Ring..... | •Junta torica..... | •O-ring..... | | |
| 29 | VOE 13965177 | 2 | | | | Flange screw..... | Vis à bride..... | Flanschschraube..... | Torn embridado..... | Flänsskruv..... | | |
| 30 | VOE 13945407 | 2 | | | | Nut..... | Ecrou..... | Mutter..... | Tuerca..... | Mutter..... | | |

| | | | | |
|---|--|---|-----------------------|------------|
| 1 | | CDC - styring CDC - dirección CDC - Lenkung CDC - direction CDC - steering 80929 | Catalogue id | Group |
| 2 | | | 20007 | 660 |
| 3 | | | Illustr. No | Section |
| 4 | | | 1008064 | 100 |
| 5 | | | Issue | Page |
| | | | VOE 63D9920007 | 565 |



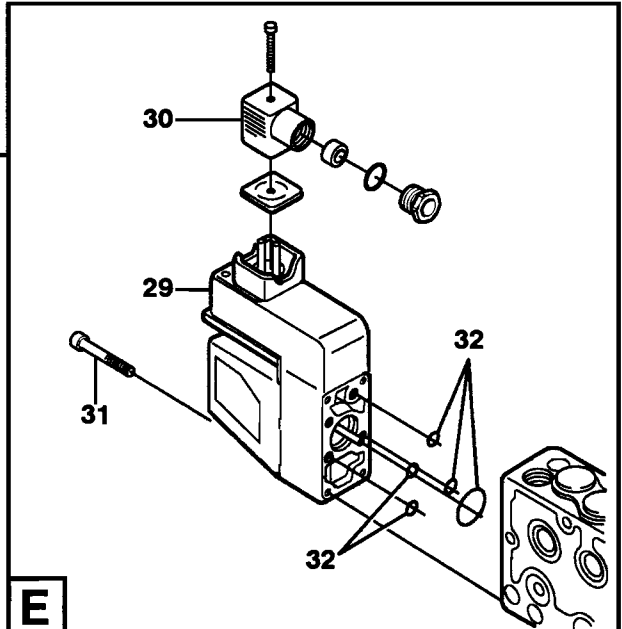
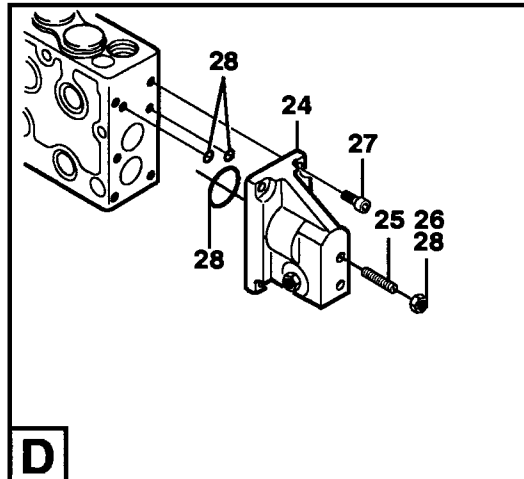
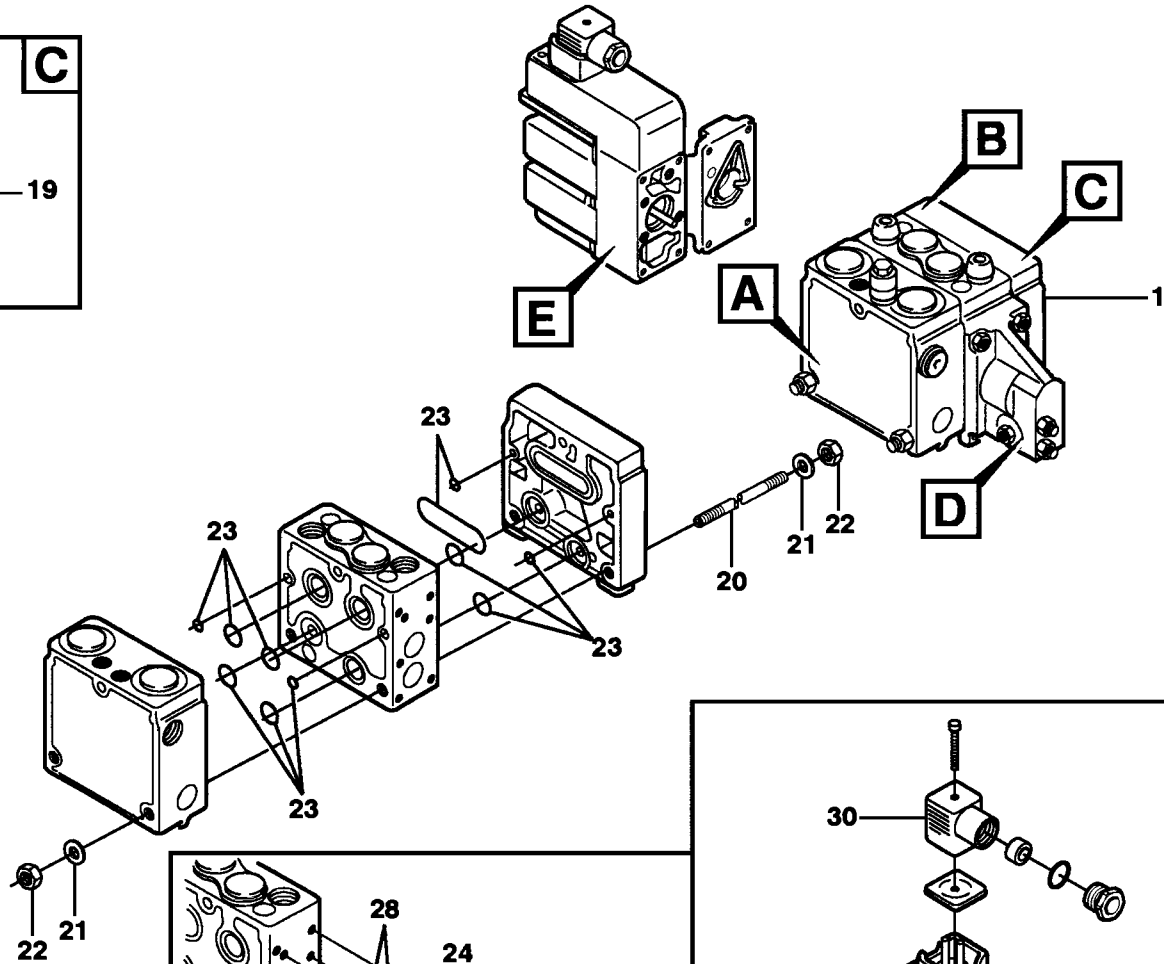
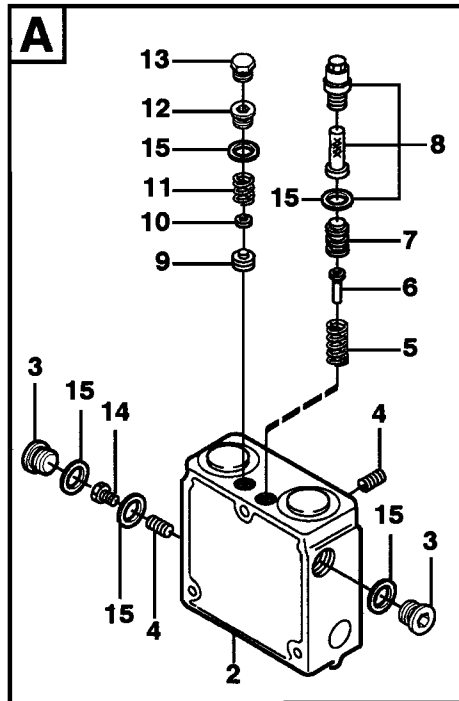
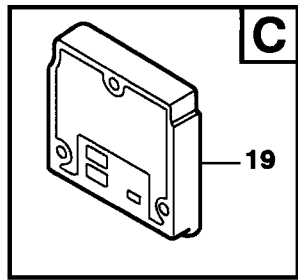
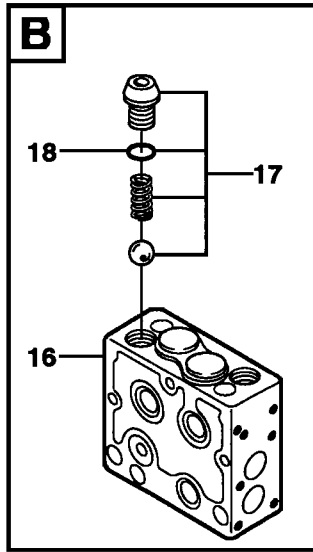
Volvo Construction
 Equipment
 1008064

| Fig. | Part No. | Quantity | | | P S | K T | Description | Dénomination | Bezeichnung | Denominación | Benämning | Notes |
|------|--------------|----------|---|---|--------|--------|---------------------|------------------------|----------------------|--------------------|-------------------|-----------|
| | | 1 | 2 | 3 | | | | | | | | |
| 31 | VOE 13933905 | 2 | | | | | Elbow nipple..... | Raccord angulaire..... | Winkelnippel..... | Niple angular..... | Vinkelnippel..... | |
| 32 | VOE 11163073 | 1 | | | | | Hose assembly | Conduit flexible | Schlauchleitung..... | Conducto..... | Slangledning..... | L = 400MM |

| | | | | |
|---|--|-----------------|----------------|------------|
| 1 | | CDC - styrning | Catalogue id | Group |
| 2 | | CDC - dirección | 20007 | 660 |
| 3 | | CDC - Lenkung | Illustr. No | Section |
| 4 | | CDC - direction | 1008064 | 100 |
| 5 | | CDC - steering | Issue | Page |
| | | 80929 | VOE 63D9920007 | 567 |

VOLVO

L90E



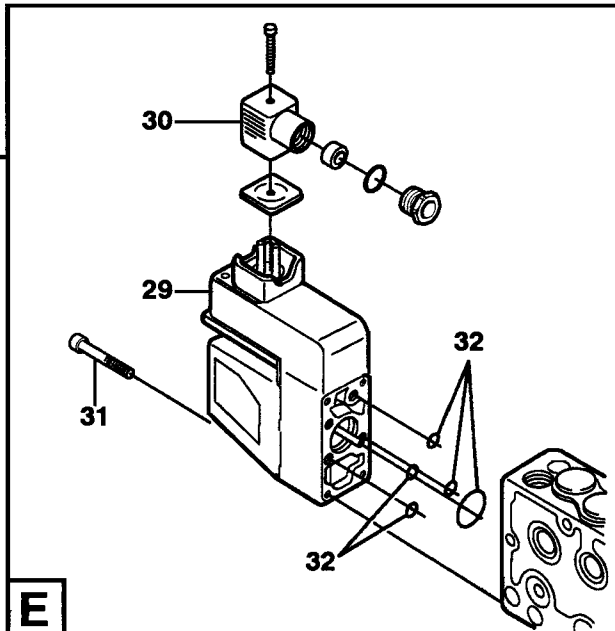
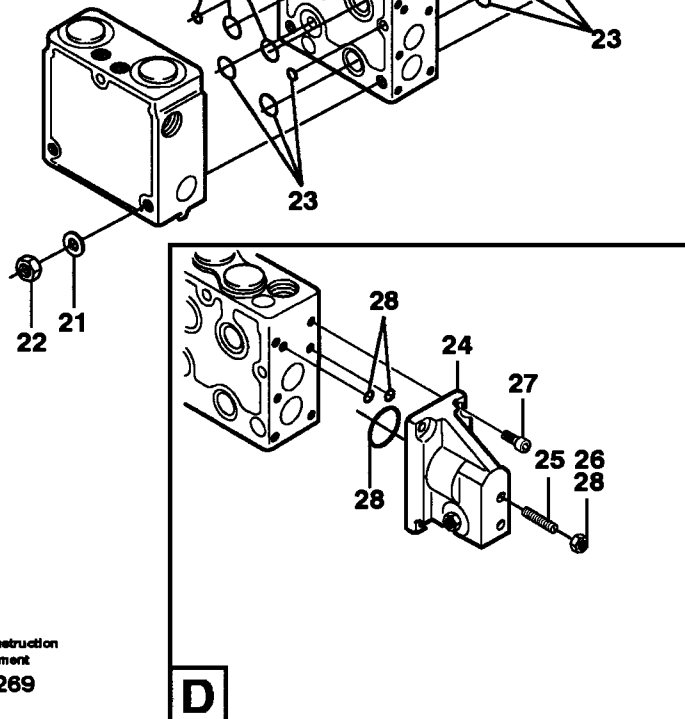
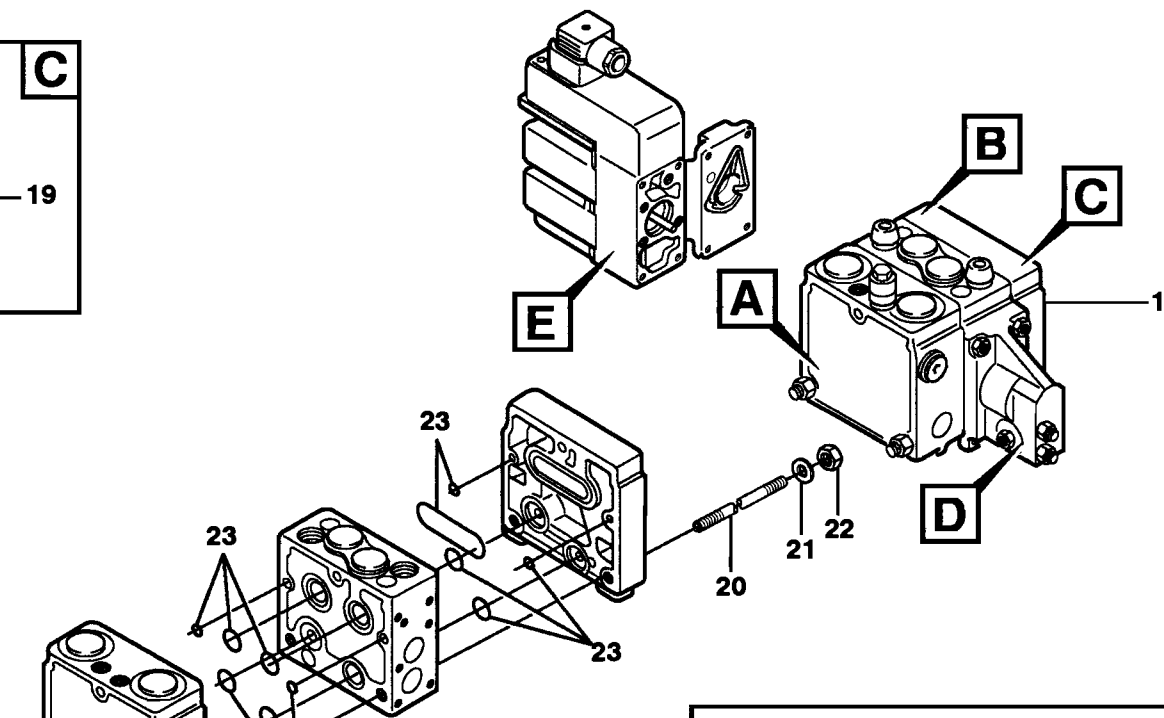
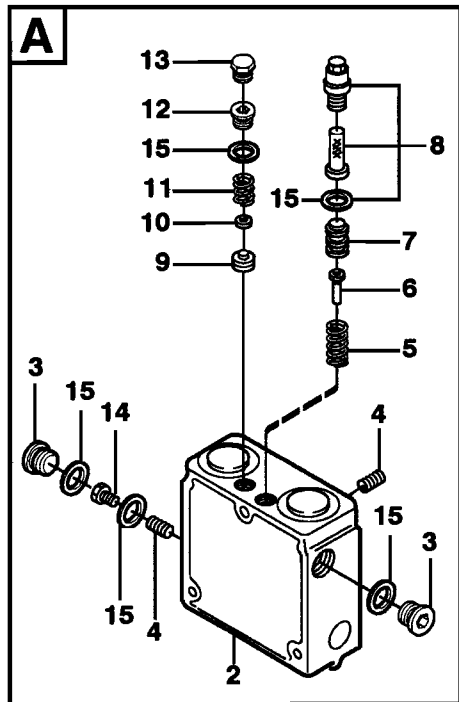
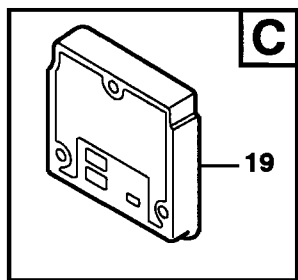
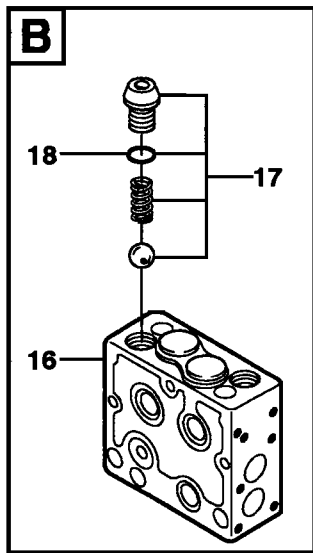
Volvo Construction
Equipment
EL 269

| Fig. | Part No. | Quantity | | | P S | K I T | Description | Dénomination | Bezeichnung | Denominación | Benämning | Notes |
|------|--------------|----------|---|---|--------|------------------------|-----------------------------|-------------------------|--------------------------|-----------------------|-------------|-------|
| | | 1 | 2 | 3 | | | | | | | | |
| 1 | VOE 11039561 | 1 | | | | Valve | Soupape..... | Ventil | Valvula | Ventil..... | S/N - 20698 | |
| | VOE 11410269 | 1 | | | | Valve | Soupape..... | Ventil | Valvula | Ventil..... | S/N 20699 - | |
| 2 | VOE 11996202 | 1 | | | | •Valve..... | •Soupape | •Ventil | •Valvula | •Ventil..... | | |
| 3 | VOE 11996177 | 2 | | | | ••Plug | ••Bouchon | ••Stopfen | ••Tapon..... | ••Plugg..... | | |
| 4 | VOE 11701851 | 2 | | | | ••Restrictor..... | ••Etrangleur..... | ••Drosselung | ••Estrangulacion..... | ••Strypning..... | | |
| 5 | VOE 11996178 | 1 | | | | ••Spring | ••Ressort | ••Feder | ••Muelle | ••Fjäder..... | | |
| 6 | VOE 11996179 | 1 | | | | ••Peg | ••Cheville..... | ••Kegel | ••Esiabon..... | ••Kägla..... | | |
| 7 | VOE 11996180 | 1 | | | | ••Piston | ••Piston..... | ••Kolben | ••Piston..... | ••Kolv..... | | |
| 8 | VOE 11996181 | 1 | | | | ••Plug | ••Tampon | ••Stopfen | ••Tapon..... | ••Plugg..... | | |
| 9 | VOE 11996183 | 1 | | | | ••Seat | ••Siege | ••Sitz..... | ••Asiento..... | ••Säte..... | | |
| 10 | VOE 11996184 | 1 | | | | ••Spacer..... | ••Partie Intermédiaire..... | ••Zwischenstück..... | ••Espaciador..... | ••Mellandel..... | | |
| 11 | VOE 11996185 | 1 | | | | ••Spring..... | ••Ressort | ••Feder | ••Muelle | ••Fjäder..... | | |
| 12 | VOE 11996190 | 1 | | | | ••Adjusting Screw..... | ••Vis De Reglage..... | ••Stellschraube..... | ••Tornillo Ajuste..... | ••Justerskruv..... | | |
| 13 | VOE 11996206 | 1 | | | | ••Plug | ••Bouchon | ••Stopfen | ••Tapon..... | ••Plugg..... | | |
| 14 | VOE 11996207 | 1 | | | | ••Screw | ••Vis..... | ••Schraube | ••Tornillo..... | ••Skruv..... | | |
| 15 | VOE 11996191 | 1 | | | | ••Sealing Kit | ••Jeu Joints | ••Dichtungssatz | ••Juego Retenes..... | ••Tätningssats..... | | |
| 16 | VOE 11996203 | 1 | | | | •Housing | •Carter..... | •Gehäuse | •Carter..... | •Hus..... | | |
| 17 | VOE 11996192 | 1 | | | | ••Valve | ••Soupape | ••Ventil..... | ••Valvula | ••Ventil..... | | |
| 18 | VOE 11700195 | 1 | | | | ••O-ring | ••Joint Torique | ••O-Ring | ••Junta torica | ••O-ring..... | | |
| 19 | VOE 11996193 | 1 | | | | •Cover | •Couvercle..... | •Deckel..... | •Tapa..... | •Lock..... | | |
| | VOE 11996194 | 1 | | | | •Mounting Kit..... | •Kit Montage..... | •Einbausatz | •Juego Montaje | •Monteringssats..... | | |
| 20 | | 1 | | | NS | ••Pull rod | ••Barre de traction | ••Zugstange..... | ••Varilla traccion | ••Dragstång..... | | |
| 21 | VOE 13955894 | 6 | | | | ••Washer | ••Rondelle | ••Scheibe..... | ••Arandela | ••Bricka..... | | |
| 22 | VOE 955782 | 6 | | | | ••Hexagon Nut | ••Ecrou Hexagonal | ••Sechskantmutter..... | ••Tuerca Hexagon | ••Sexkantsmutter..... | | |
| 23 | VOE 11996195 | 1 | | | SS | ••Sealing Kit | ••Jeu Joints | ••Dichtungssatz | ••Juego Retenes..... | ••Tätningssats..... | | |
| 24 | VOE 11701803 | 1 | | | | •Housing | •Carter..... | •Gehäuse | •Carter..... | •Hus..... | | |
| 25 | VOE 13962931 | 2 | | | | ••Set Screw | ••Vis Butee | ••Anschlagschraub | ••Tornillo Tope..... | ••Stoppskruv..... | | |
| 26 | VOE 13955781 | 2 | | | | ••Nut..... | ••Ecrou | ••Mutter | ••Tuerca..... | ••Mut ter..... | | |
| 27 | VOE 959202 | 4 | | | | ••Allen Hd Screw..... | ••Vis A 6 Pans Cr..... | ••Inbusschraube | ••Torn Hex Embut..... | ••Insexskruv..... | | |
| 28 | VOE 11996198 | 1 | | | | ••Sealing Kit | ••Jeu Joints | ••Dichtungssatz | ••Juego Retenes..... | ••Tätningssats..... | | |

| | | | | |
|---|--|---|-----------------------|------------|
| 1 | | Avlastningsventil. Válvula. Ventil. Soupape. Relief valve. 80929 | Catalogue id | Group |
| 2 | | | 20007 | 660 |
| 3 | | | Illustr. No | Section |
| 4 | | | EL269 | 150 |
| 5 | | | Issue | Page |
| | | | VOE 63D9920007 | 569 |

VOLVO

L90E



Volvo Construction
Equipment
EL 269

| Fig. | Part No. | Quantity | | | P S | K I T | Description | Dénomination | Bezeichnung | Denominación | Benämning | Notes |
|------|--------------|----------|---|---|--------|-------------|------------------------|--------------------------|-------------------------|-----------------------|-----------------------|-------|
| | | 1 | 2 | 3 | | | | | | | | |
| 29 | VOE 11701852 | 1 | | | | | •Electronic unit | •Unité électronique..... | •Elektronikeinheit..... | •Unidad electrón..... | •Elektronikenhet..... | MA601 |
| 30 | VOE 11996200 | 1 | | | | | ••Connector..... | ••Raccord | ••Anschluss | ••Union | ••Anslutning..... | |
| 31 | VOE 11701951 | 4 | | | | | ••Screw | ••Vis..... | ••Schraube | ••Tornillo..... | ••Skruv..... | |
| 32 | VOE 11701853 | 1 | | | | | ••Sealing Kit | ••Jeu Joints | ••Dichtungssatz | ••Juego Retenes..... | ••Tätningssats..... | |

| | | | |
|---|---|----------------|------------|
| 1 | Avlastningsventil. Válvula. Ventil. Soupape. Relief valve. 80929 | Catalogue id | Group |
| 2 | | 20007 | 660 |
| 3 | | Illustr. No | Section |
| 4 | | EL269 | 150 |
| 5 | | Issue | Page |
| | | VOE 63D9920007 | 571 |

VOLVO

L90E

VOLVO

Construction Equipment

((((((((

| GROUP | Section | Page | GROUP | Section | Page |
|-------|--|------|-------|---------|------|
| 711 | Frame STD, OPEN ROPS | 100 | | | 579 |
| 715 | Protecting plates 82304 | 100 | | | 581 |
| 715 | Protecting plates 82280 | 150 | | | 583 |
| 715 | Belly guard, rear. 82349..... | 200 | | | 585 |
| 715 | Bottom-guard plates STD, OPEN ROPS | 250 | | | 587 |
| 715 | Protection for lighting | 300 | | | 589 |
| 715 | Belly guard, front..... | 400 | | | 591 |
| 716 | Rear hitch and counterweight STD, OPEN ROPS..... | 100 | | | 593 |
| 716 | Counterweight 80953..... | 150 | | | 595 |
| 741 | Frame link STD, OPEN ROPS..... | 100 | | | 597 |
| 771 | Wheel..... | 100 | | | 599 |

| | | |
|--------------------------|------------------------------|---------------------|
| INDEX OF CONTENTS | Catalogue id 20007 | Group 700 |
| | Issue VOE 63D9920007 | Page 573 |

| TABLE DES MATIÈRES | | Catalogue id 20007 | Group 700 |
|---------------------------|---------|--------------------------------|---------------------|
| | | Issue VOE 63D9920007 | Page 574 |
| GROUPE | Section | Page | GROUPE |
| | | | Section Page |

| | | |
|--|-----|-----|
| 711 Chassis STD, OPEN ROPS..... | 100 | 579 |
| 715 Tole protection 82304 | 100 | 581 |
| 715 Tole protection 82280 | 150 | 583 |
| 715 Tôle capotage arrière. 82349..... | 200 | 585 |
| 715 Bottom-guard plates STD, OPEN ROPS | 250 | 587 |
| 715 Poutre protection..... | 300 | 589 |
| 715 Tôle capotage, antérieur. | 400 | 591 |
| 716 Barre attelage et contrepoids STD, OPEN ROPS | 100 | 593 |
| 716 Contrepoids 80953..... | 150 | 595 |
| 741 Articulation chassis STD, OPEN ROPS..... | 100 | 597 |
| 771 Roue | 100 | 599 |

| GRUPPE | Abschnitt | Seite | GRUPPE | Abschnitt | Seite |
|--------|---|-------|--------|-----------|-------|
| 711 | Rahmen STD, OPEN ROPS | 100 | | | 579 |
| 715 | Schutzblechen 82304 | 100 | | | 581 |
| 715 | Schutzblechen 82280 | 150 | | | 583 |
| 715 | Schützenblech, hinten. 82349..... | 200 | | | 585 |
| 715 | Bottom-guard plates STD, OPEN ROPS | 250 | | | 587 |
| 715 | Schutz für Beleuchtung | 300 | | | 589 |
| 715 | Schürzenblech, vorne. | 400 | | | 591 |
| 716 | Zug und Gegengewicht STD, OPEN ROPS | 100 | | | 593 |
| 716 | Gegengewicht 80953 | 150 | | | 595 |
| 741 | Rahmenknickgelenk STD, OPEN ROPS | 100 | | | 597 |
| 771 | Rad | 100 | | | 599 |

INHALTSVERZEICHNIS

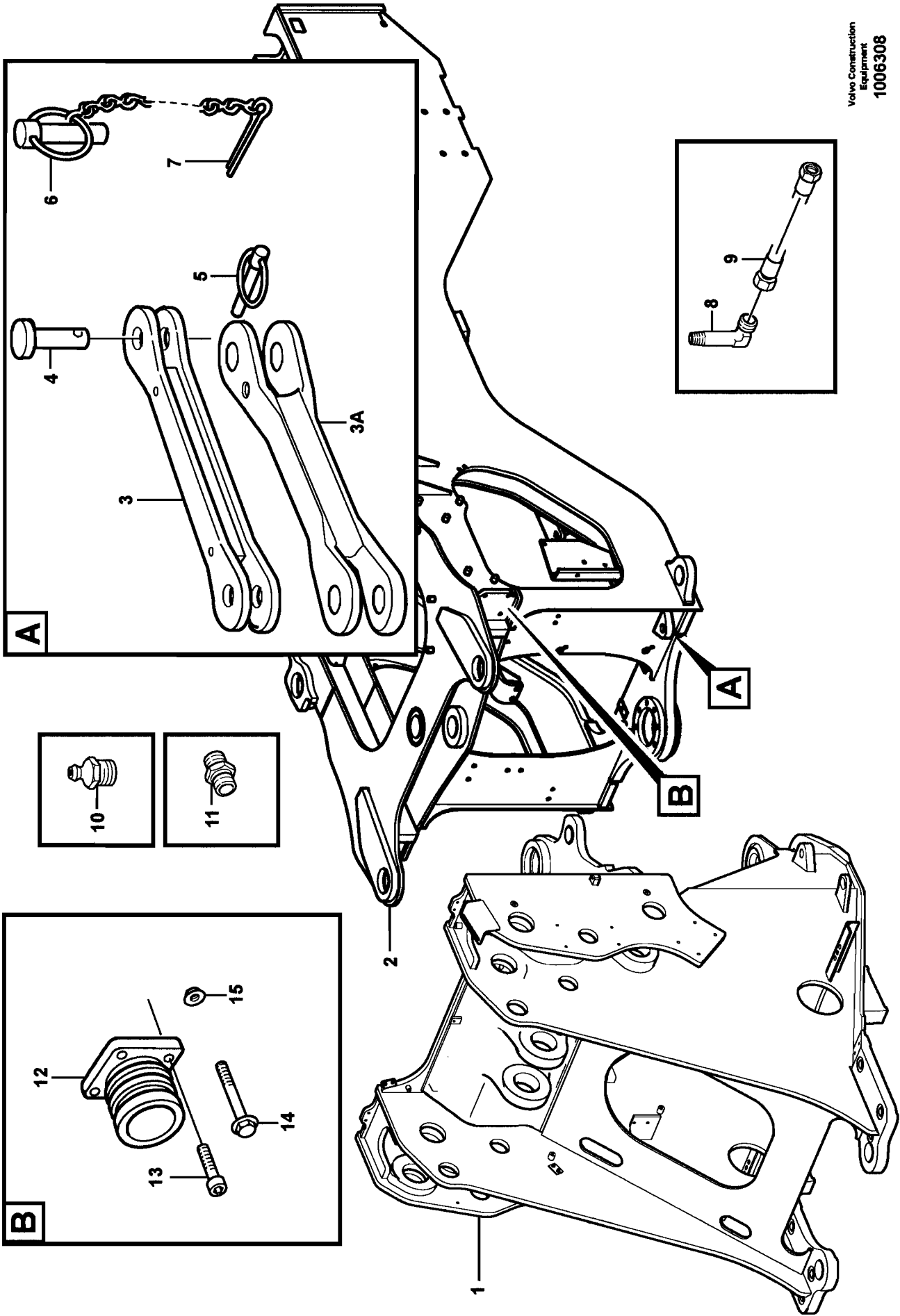
| | |
|--------------------------------|---------------------|
| Catalogue id 20007 | Group 700 |
| Issue VOE 63D9920007 | Page 575 |

INDICE**Catalogue id
20007****Group
700****Issue
VOE 63D9920007****Page
576**

| GRUPO | Sección | Página | GRUPO | Sección | Página |
|-------|---|--------|-------|---------|--------|
| 711 | Bastidor STD, OPEN ROPS | 100 | 579 | | |
| 715 | Placas de proteccion 82304..... | 100 | 581 | | |
| 715 | Placas de proteccion 82280..... | 150 | 583 | | |
| 715 | Defensa, trasera. 82349 | 200 | 585 | | |
| 715 | Bottom-guard plates STD, OPEN ROPS | 250 | 587 | | |
| 715 | Vigas de protección | 300 | 589 | | |
| 715 | Defensa, delantera..... | 400 | 591 | | |
| 716 | Barra de tracción y contrapeso STD, OPEN ROPS | 100 | 593 | | |
| 716 | Contrapeso 80953 | 150 | 595 | | |
| 741 | Articulación de bastidor STD, OPEN ROPS | 100 | 597 | | |
| 771 | Rueda | 100 | 599 | | |

| GRUPP | | Avsnitt | Sida | GRUPP | | Avsnitt | Sida |
|-------|---------------------------------------|---------|------|-------|--|---------|------|
| 711 | Ram STD, OPEN ROPS | 100 | 579 | | | | |
| 715 | Skyddsplåtar 82304 | 100 | 581 | | | | |
| 715 | Skyddsplåtar 82280 | 150 | 583 | | | | |
| 715 | Bukplåt, bakre. 82349 | 200 | 585 | | | | |
| 715 | Bukplåtar STD, OPEN ROPS | 250 | 587 | | | | |
| 715 | Skydd för belysning..... | 300 | 589 | | | | |
| 715 | Bukplåt, främre..... | 400 | 591 | | | | |
| 716 | Drag och motvikt STD, OPEN ROPS | 100 | 593 | | | | |
| 716 | Motvikt 80953..... | 150 | 595 | | | | |
| 741 | Ramled STD, OPEN ROPS | 100 | 597 | | | | |
| 771 | Hjul..... | 100 | 599 | | | | |

| | | |
|-----------------------------|--------------------------------|---------------------|
| INNEHÅLLSFÖRTECKNING | Catalogue id 20007 | Group 700 |
| | Issue VOE 63D9920007 | Page 577 |

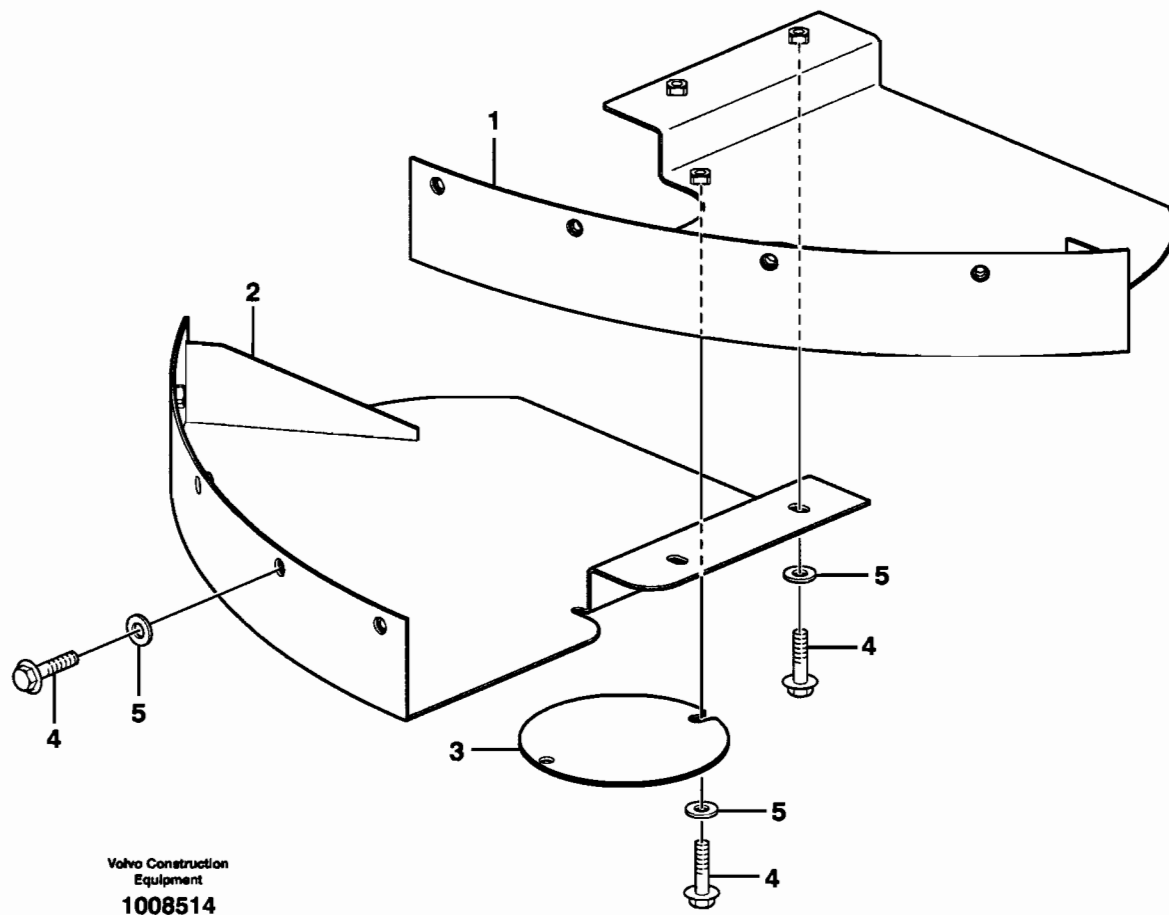


| Fig. | Part No. | Quantity | | | P S | K I T | Description | Dénomination | Bezeichnung | Denominación | Benämning | Notes |
|------|--------------|----------|---|---|--------|----------------------|-----------------------|------------------------|-----------------------|-------------------|---|-------|
| | | 1 | 2 | 3 | | | | | | | | |
| 1 | VOE 11176062 | 1 | | | | Front frame | Chassis AV | Vorderfahrgestell..... | Marco Delantero..... | Framram..... | S/N - 20640, - 66440 USA ,- 70860 BRA | |
| | VOE 11177500 | 1 | | | | Front frame | Chassis AV | Vorderfahrgestell..... | Marco Delantero..... | Framram..... | S/N 20641 -, 66441 - USA , 70861 - BRA | |
| 2 | VOE 11177291 | 1 | | | | Rear frame..... | Chassis Ar..... | Hinterrahmen | Bastidor post | Bakram..... | | |
| 3 | VOE 11099101 | 1 | | | | Transport Lock..... | Verro.transport | Transp Sicherg..... | Cierre Transpor | Transportlås..... | PROD NR 33286 | |
| | VOE 11099101 | 1 | | | | Transport Lock..... | Verro.transport | Transp Sicherg..... | Cierre Transpor | Transportlås..... | S/N - 20337 | |
| 3A | VOE 11177036 | 1 | | | | Transport Lock..... | Verro.transport | Transp Sicherg..... | Cierre Transpor | Transportlås..... | S/N 20338 - | |
| 4 | VOE 11019676 | 1 | | | | Pivot Pin..... | Goupille-guide..... | Gelenkstift | Pasador Artic..... | Ledpinne..... | S/N - 20337 | |
| | VOE 11177038 | 1 | | | | Pin..... | Goupille..... | Zapfen | Pasador | Tapp..... | S/N 20338 - | |
| 5 | VOE 907884 | 1 | | | | Cotter Pin..... | Goupille Fendue..... | Splint | Pasador Hendido | Saxpinne..... | | |
| 6 | VOE 11019676 | 1 | | | | Pivot Pin..... | Goupille-guide..... | Gelenkstift | Pasador Artic..... | Ledpinne..... | S/N - 20337 | |
| | VOE 11177038 | 1 | | | | Pin..... | Goupille..... | Zapfen | Pasador | Tapp..... | S/N 20338 - | |
| 7 | VOE 11019682 | 1 | | | | Lock Pin | Goupille Verro..... | Sicherungsstift..... | Pasador Segurid | Låspinne..... | | |
| 8 | VOE 4930797 | 2 | | | | Nipple..... | Raccord..... | Nippel..... | Niple | Nippel..... | | |
| 9 | VOE 11176895 | 2 | | | | Hose..... | Durit | Schlauch | Tubo flexible..... | Slang..... | | |
| 10 | VOE 914167 | 2 | | | | Nipple..... | Raccord..... | Nippel..... | Niple | Nippel..... | | |
| 11 | VOE 946089 | 2 | | | | Nipple..... | Raccord..... | Nippel..... | Niple | Nippel..... | | |
| 12 | VOE 11026989 | 2 | | | | Steering Damper..... | Amort.direction..... | Lenkungsdämpfer | Amortig Direcc..... | Styr.dämpare..... | | |
| 13 | VOE 984080 | 8 | | | | Allen Hd Screw | Vis A 6 Pans Cr..... | Inbusschraube..... | Torn Hex Embut | Insexskruv..... | S/N - 20602, - 66393 USA ,- 70845 BRA | |
| 14 | VOE 13965185 | 8 | | | | Flange screw..... | Vis à bride | Flanschschraube..... | Torn embridado..... | Flänsskruv..... | S/N 20603 -, 66394 - USA , 70846 - BRA | |
| 15 | VOE 13971098 | 8 | | | | Flange nut..... | Ecrou accouple. | Bundmutter..... | Tuerca embridad | Flänsmutter..... | S/N 20603 -, 66394 - USA , 70846 - BRA | |

| | | | | |
|---|--|---|-----------------------|------------|
| 1 | | Ram Bastidor Rahmen Chassis Frame STD, OPEN ROPS | Catalogue id | Group |
| 2 | | | 20007 | 711 |
| 3 | | | Illustr. No | Section |
| 4 | | | 1016308 | 100 |
| 5 | | | Issue | Page |
| | | | VOE 63D9920007 | 579 |

VOLVO

L90E



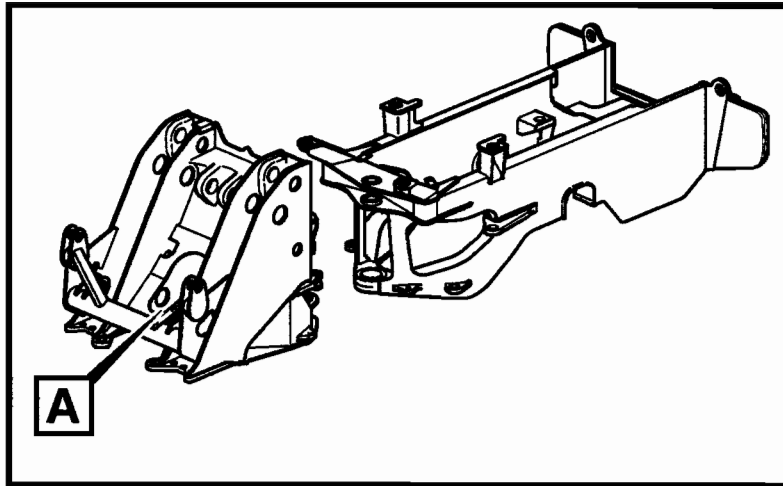
Volvo Construction
Equipment
1008514

| Fig. | Part No. | Quantity | | | P S | K I T | Description | Dénomination | Bezeichnung | Denominación | Benämning | Notes |
|------|--------------|----------|---|---|--------|-------------|-----------------------|-----------------------|----------------------|-----------------------|-----------------|-------|
| | | 1 | 2 | 3 | | | | | | | | |
| 1 | VOE 11180407 | 1 | | | | | Protecting plate..... | Tole protection | Schutzblech..... | Placa proteccion..... | Skyddsplåt..... | |
| 2 | VOE 11180412 | 1 | | | | | Protecting plate..... | Tole protection | Schutzblech..... | Placa proteccion..... | Skyddsplåt..... | |
| 3 | VOE 11180416 | 1 | | | | | Cover | Capot | Haube..... | Capo..... | Huv..... | |
| 4 | VOE 946441 | 12 | | | | | Flange screw..... | Vis à bride | Flanschschraube..... | Torn embridado..... | Flänsskruv..... | |
| 5 | VOE 13960143 | 12 | | | | | Washer..... | Rondelle..... | Scheibe | Arandela..... | Bricka..... | |

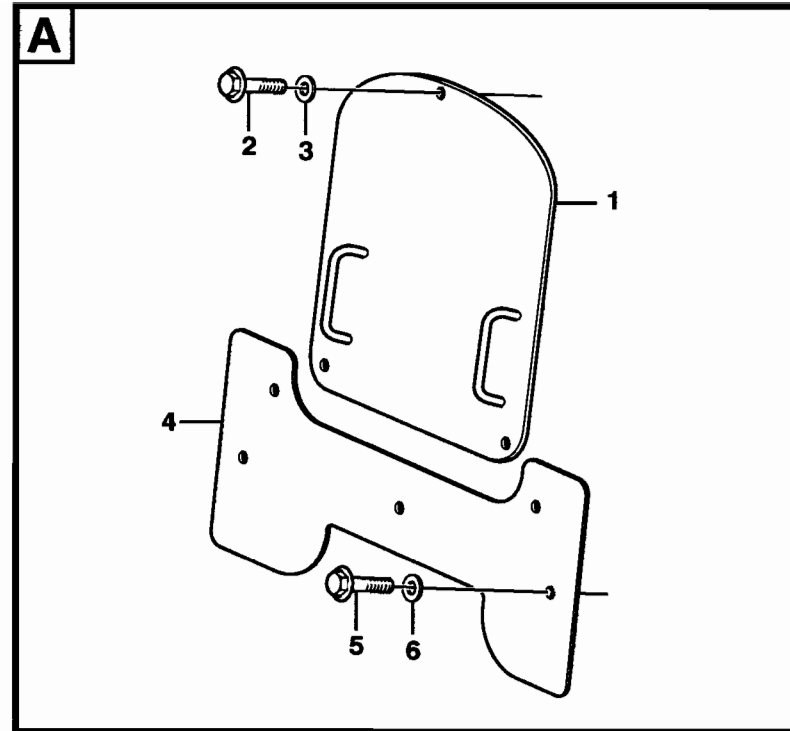
| | | | | |
|---|--|--|----------------|------------|
| 1 | | Skyddsplåtar Placas de proteccion Schutzblechen Tole protection Protecting plates 82304 | Catalogue id | Group |
| 2 | | | 20007 | 715 |
| 3 | | | Illustr. No | Section |
| 4 | | | 1008514 | 100 |
| 5 | | | Issue | Page |
| | | | VOE 63D9920007 | 581 |

VOLVO

L90E



Volvo Construction
Equipment
1008042

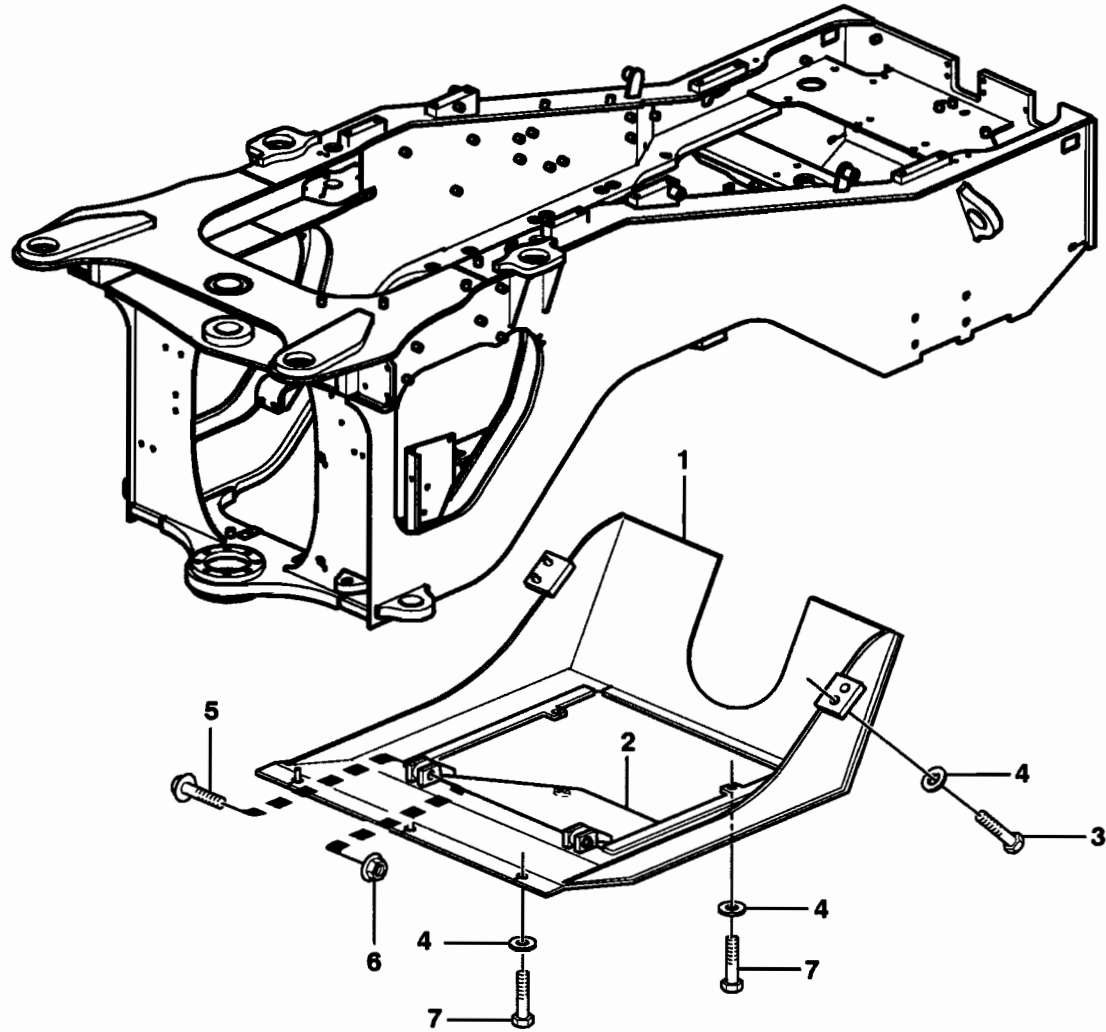


| Fig. | Part No. | Quantity | | | P S | K I T | Description | Dénomination | Bezeichnung | Denominación | Benämning | Notes |
|------|--------------|----------|---|---|--------|-----------------------|-----------------------|---------------------|-----------------------|-----------------|-----------|-------|
| | | 1 | 2 | 3 | | | | | | | | |
| 1 | VOE 11176935 | 1 | | | | Hatch..... | Trappe..... | Luke | Trampilla | Lucka | | |
| 2 | VOE 946329 | 3 | | | | Flange screw..... | Vis à bride | Flanschschrabe..... | Torn embridado..... | Flänsskruv..... | | |
| 3 | VOE 13960143 | 3 | | | | Washer..... | Rondelle | Scheibe | Arandela | Bricka..... | | |
| 4 | VOE 11180628 | 1 | | | | Protecting plate..... | Tole protection | Schutzblech..... | Placa proteccion..... | Skyddsplåt..... | | |
| 5 | VOE 946329 | 5 | | | | Flange screw..... | Vis à bride | Flanschschrabe..... | Torn embridado..... | Flänsskruv..... | | |
| 6 | VOE 13960143 | 5 | | | | Washer..... | Rondelle | Scheibe | Arandela | Bricka..... | | |

| | | | | |
|---|--|--|-----------------------|------------|
| 1 | | Skyddsplåtar Placas de proteccion Schutzblechen Tole protection Protecting plates 82280 | Catalogue id | Group |
| 2 | | | 20007 | 715 |
| 3 | | | Illustr. No | Section |
| 4 | | | 1008042 | 150 |
| 5 | | | Issue | Page |
| | | | VOE 63D9920007 | 583 |

VOLVO

L90E



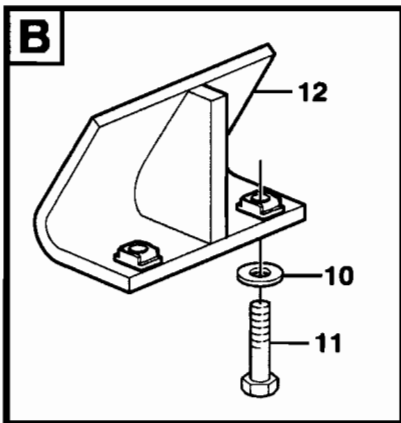
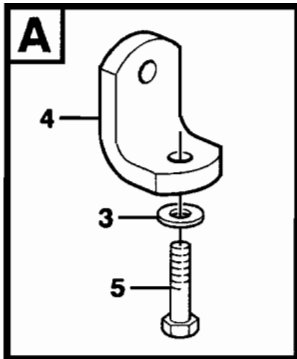
Volvo Construction
Equipment
1001187

| Fig. | Part No. | Quantity | | | P S | K I T | Description | Dénomination | Bezeichnung | Denominación | Benämning | Notes |
|------|--------------|----------|---|---|--------|----------------------|--------------------------|---------------------|----------------------|---------------------|----------------|-------|
| | | 1 | 2 | 3 | | | | | | | | |
| 1 | VOE 11176873 | 1 | | | | Belly Guard | Tole Capotage | Schutzblech..... | Defensa | Bukplåt..... | | |
| 2 | VOE 11148924 | 1 | | | | Hatch..... | Trappe..... | Luke | Trampilla | Lucka | | |
| 3 | VOE 13965192 | 4 | | | | Flange screw..... | Vis à bride | Flanschschaube..... | Torn embridado..... | Flänsskruv..... | | |
| 4 | VOE 13960145 | 9 | | | | Washer..... | Rondelle | Scheibe | Arandela..... | Bricka..... | | |
| 5 | VOE 965195 | 2 | | | | Flange screw..... | Vis à bride | Flanschschaube..... | Torn embridado..... | Flänsskruv..... | | |
| 6 | VOE 971099 | 2 | | | | Flange Lock Nut..... | Contre écrou bride | Flanscmutter | Contratuer Embr..... | Flänslåsmutter..... | (VOE 13971099) | |
| 7 | VOE 13965191 | 5 | | | | Flange screw..... | Vis à bride | Flanschschaube..... | Torn embridado..... | Flänsskruv..... | | |

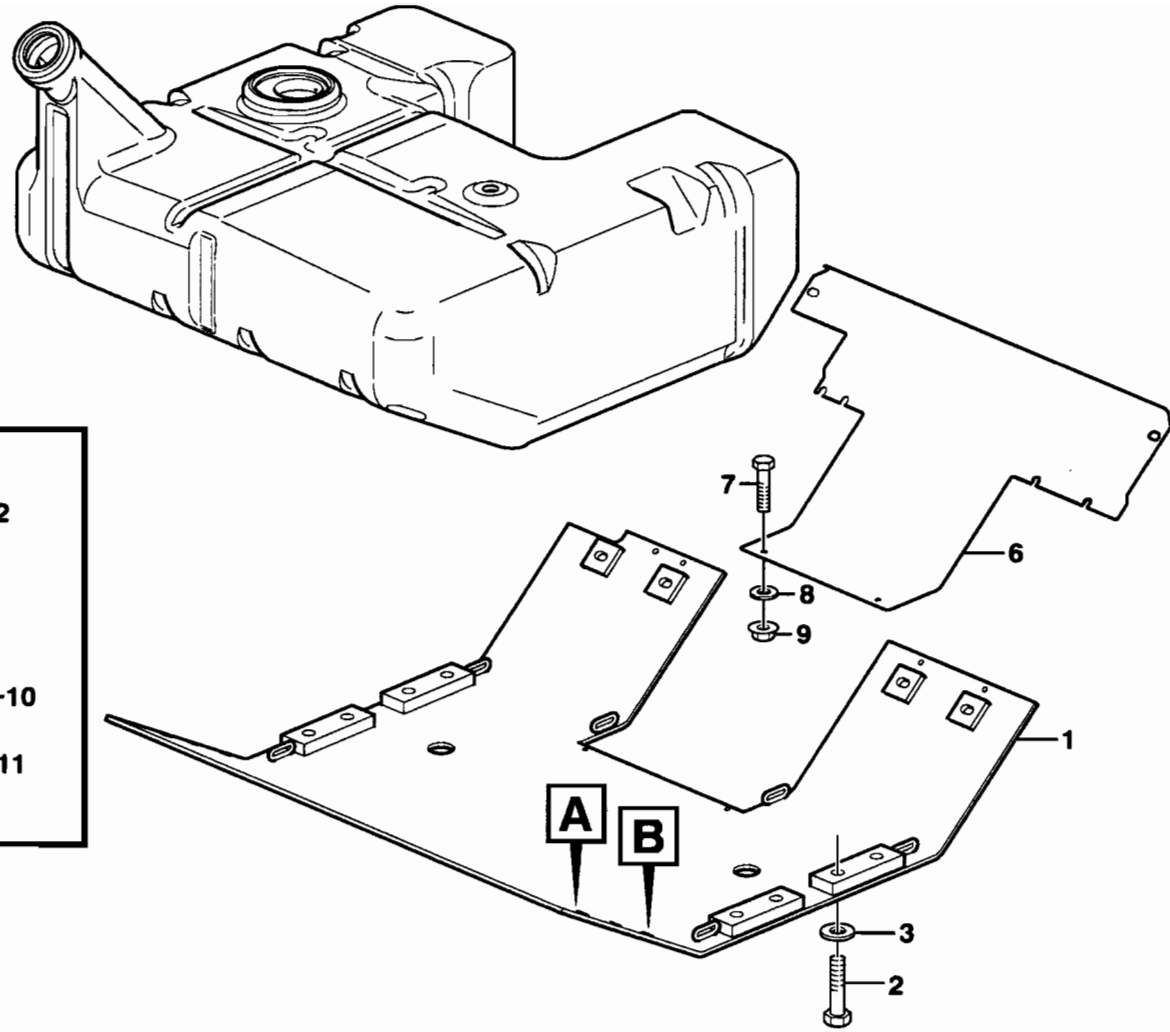
| | | | | |
|---|--|---|----------------|------------|
| 1 | | Bukplåt, bakre. Defensa, trasera. Schützenblech, hinten. Tôle capotage arrière. Belly guard, rear. 82349 | Catalogue id | Group |
| 2 | | | 20007 | 715 |
| 3 | | | Illustr. No | Section |
| 4 | | | 1001187 | 200 |
| 5 | | | Issue | Page |
| | | | VOE 63D9920007 | 585 |

VOLVO

L90E



Volvo Construction
Equipment
1009588

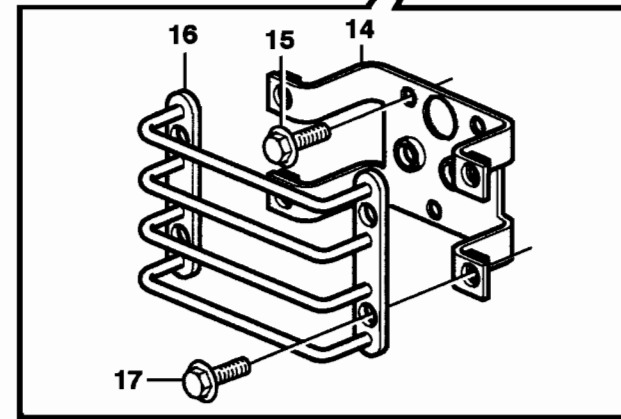
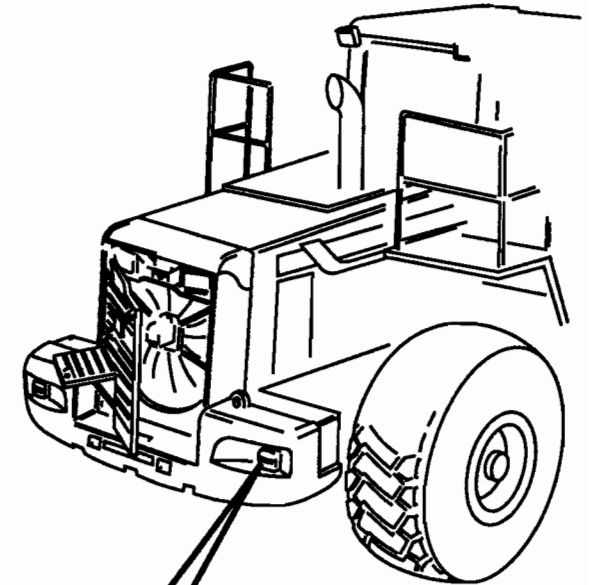
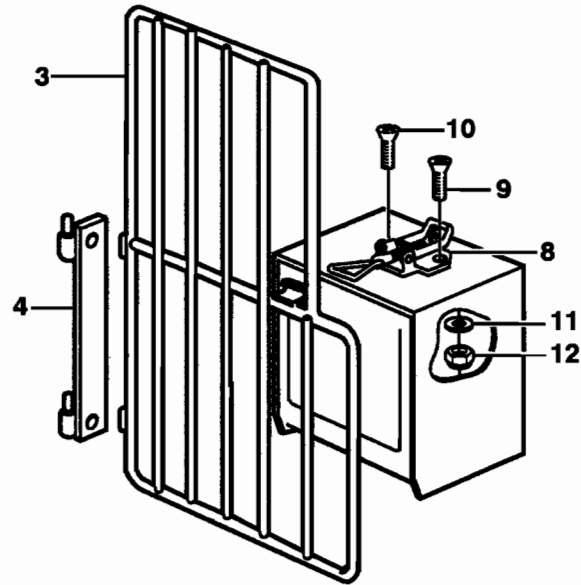
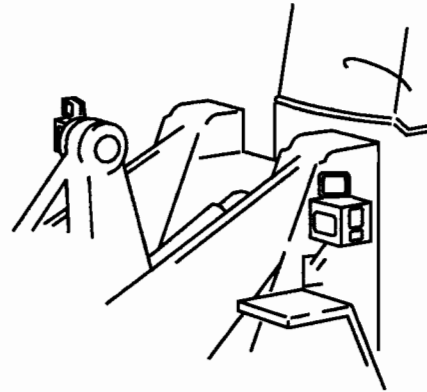
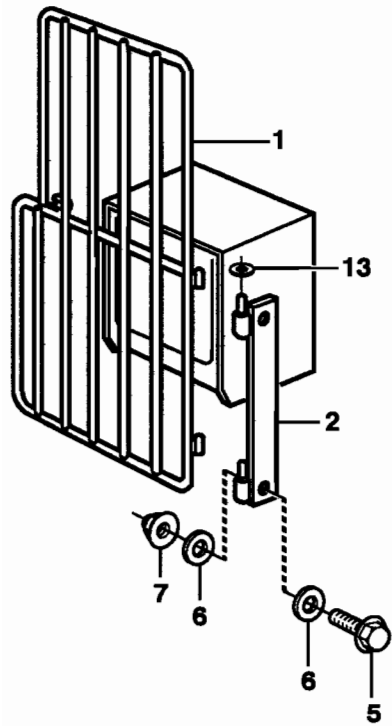


| Fig. | Part No. | Quantity | | | P S | K I T | Description | Dénomination | Bezeichnung | Denominación | Benämning | Notes |
|------|--------------|----------|---|---|--------|-------------|---------------------|----------------------|---------------------|-----------------------|-------------------|-------|
| | | 1 | 2 | 3 | | | | | | | | |
| 1 | VOE 11410140 | 1 | | | | | Belly Guard | Tole Capotage | Schutzblech..... | Defensa | Bukplåt..... | |
| 2 | VOE 13965192 | 12 | | | | | Flange screw..... | Vis à bride | Flanschschaube..... | Torn embridado..... | Flänsskruv..... | |
| 3 | VOE 13960145 | 20 | | | | | Washer..... | Rondelle..... | Scheibe | Arandela..... | Bricka..... | |
| 4 | VOE 11176456 | 2 | | | | | Anchorage..... | Fixation | Halterung..... | Fijacion | Fäste..... | |
| 5 | VOE 13965191 | 4 | | | | | Flange screw..... | Vis à bride | Flanschschaube..... | Torn embridado..... | Flänsskruv..... | |
| 6 | VOE 11177344 | 1 | | | | | Ptct Plate..... | Plaque Protect | Schutzplatte | Placa Protecc | Skyddsplatta..... | |
| 7 | VOE 946329 | 8 | | | | | Flange screw..... | Vis à bride | Flanschschaube..... | Torn embridado..... | Flänsskruv..... | |
| 8 | VOE 13960145 | 8 | | | | | Washer..... | Rondelle..... | Scheibe | Arandela..... | Bricka..... | |
| 9 | VOE 13971096 | 4 | | | | | Flange nut..... | Ecrou accouple. | Bundmutter..... | Tuerca embridad | Flänsmutter..... | |
| 10 | VOE 13960141 | 4 | | | | | Washer..... | Rondelle..... | Scheibe | Arandela..... | Bricka..... | |
| 11 | VOE 13946173 | 4 | | | | | Flange screw..... | Vis à bride | Flanschschaube..... | Torn embridado..... | Flänsskruv..... | |
| 12 | VOE 11410142 | 2 | | | | | Support Plate | Plaque Support | Stützplatte | Placa Apoyo | Stödplatta..... | |

| | | | | |
|---|--|----------------------------|-----------------------|------------|
| 1 | | Bukplåtar | Catalogue id | Group |
| 2 | | Bottom-guard plates | 20007 | 715 |
| 3 | | Bottom-guard plates | Illustr. No | Section |
| 4 | | Bottom-guard plates | 1009588 | 250 |
| 5 | | STD, OPEN ROPS | Issue | Page |
| | | | VOE 63D9920007 | 587 |

VOLVO

L90E



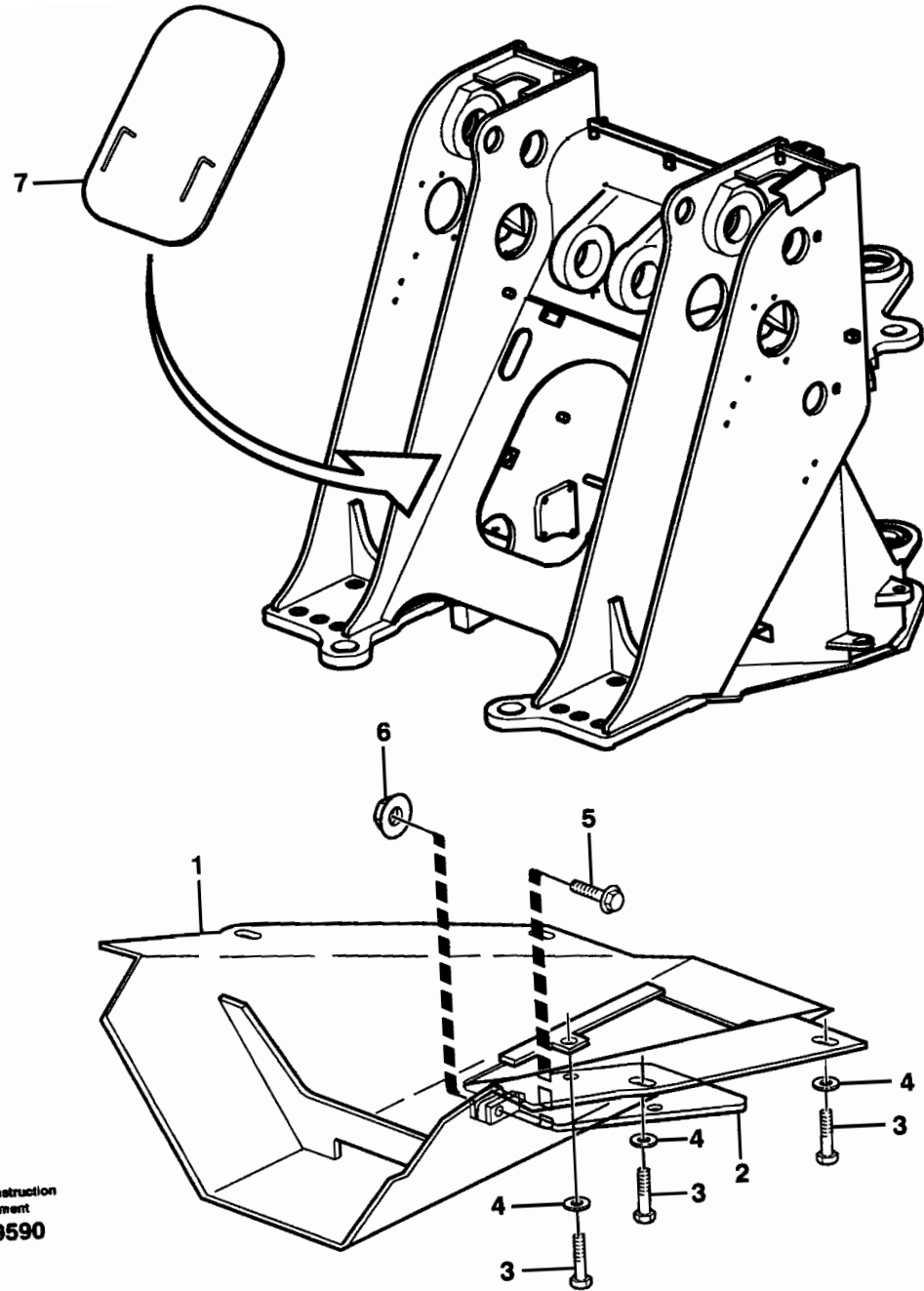
VolvoConstruction
Equipment
1005096

| Fig. | Part No. | Quantity | | | P S | K T | Description | Dénomination | Bezeichnung | Denominación | Benämning | Notes |
|------|--------------|----------|---|---|--------|--------|----------------------|-------------------------|-----------------------|-------------------------|----------------------|-------|
| | | 1 | 2 | 3 | | | | | | | | |
| 1 | VOE 11024749 | 1 | | | | | Protecting grid..... | Grille Protect..... | Schutzgitter..... | Rejilla protección..... | Skyddsgaller..... | RH |
| 2 | VOE 4951894 | 1 | | | | | Hinge Flange..... | Demi-charniere..... | Halbscharnier..... | Mitad Bisagra..... | Gångjärnshalva..... | RH |
| 3 | VOE 11024750 | 1 | | | | | Protecting grid..... | Grille Protect..... | Schutzgitter..... | Rejilla protección..... | Skyddsgaller..... | LH |
| 4 | VOE 4951893 | 1 | | | | | Hinge Flange..... | Demi-charniere..... | Halbscharnier..... | Mitad Bisagra..... | Gångjärnshalva..... | LH |
| 5 | VOE 13947542 | 4 | | | | | Screw..... | Vis..... | Schraube..... | Tornillo..... | Skruv..... | |
| 6 | VOE 955892 | 8 | | | | | Washer..... | Rondelle..... | Scheibe..... | Arandela..... | Bricka..... | |
| 7 | VOE 13949278 | 4 | | | | | Flange Lock Nut..... | Contre écrou bride..... | Flanschmutter..... | Contratuer Embr..... | Flänslåsmutter..... | |
| 8 | VOE 11003499 | 2 | | | | | Eccentric Lock..... | Verrou Excentr..... | Exz Sicherung..... | Cerrad Excentr..... | Excenterlås..... | |
| 9 | VOE 969727 | 2 | | | | | 6-pt Skt Screw..... | Vis Creuse 6 De..... | 6-zahn Hohlschr..... | Racor 6-dientes..... | Sextandhålskruv..... | M5x25 |
| 10 | VOE 969802 | 4 | | | | | Screw..... | Vis..... | Schraube..... | Tornillo..... | Skruv..... | M5x16 |
| 11 | VOE 13940090 | 6 | | | | | Washer..... | Rondelle..... | Scheibe..... | Arandela..... | Bricka..... | |
| 12 | VOE 946577 | 6 | | | | | Lock nut..... | Contre-ecrou..... | Sicherungsmutter..... | Contratuerca..... | Låsmutter..... | |
| 13 | VOE 4856486 | 4 | | | | | Washer..... | Rondelle..... | Scheibe..... | Arandela..... | Bricka..... | |
| 14 | VOE 11176804 | | 2 | | | | Bracket..... | Console..... | Konsole..... | Ménsula..... | Konsol..... | |
| 15 | VOE 13946173 | | 6 | | | | Flange screw..... | Vis à bride..... | Flanschschaube..... | Tom embridado..... | Flänsskruv..... | |
| 16 | VOE 11130600 | | 2 | | | | Protecting grid..... | Grille Protect..... | Schutzgitter..... | Rejilla protección..... | Skyddsgaller..... | |
| 17 | VOE 13946173 | | 8 | | | | Flange screw..... | Vis à bride..... | Flanschschaube..... | Tom embridado..... | Flänsskruv..... | |

| | | | | |
|---|-------|---|----------------|------------|
| 1 | 91585 | Skydd för belysning Vigas de protección Schutz für Beleuchtung Poutre protection Protection for lighting | Catalogue id | Group |
| 2 | 82177 | | 20007 | 715 |
| 3 | | | Illustr. No | Section |
| 4 | | | 1005096 | 300 |
| 5 | | | Issue | Page |
| | | | VOE 63D9920007 | 589 |

VOLVO

L90E



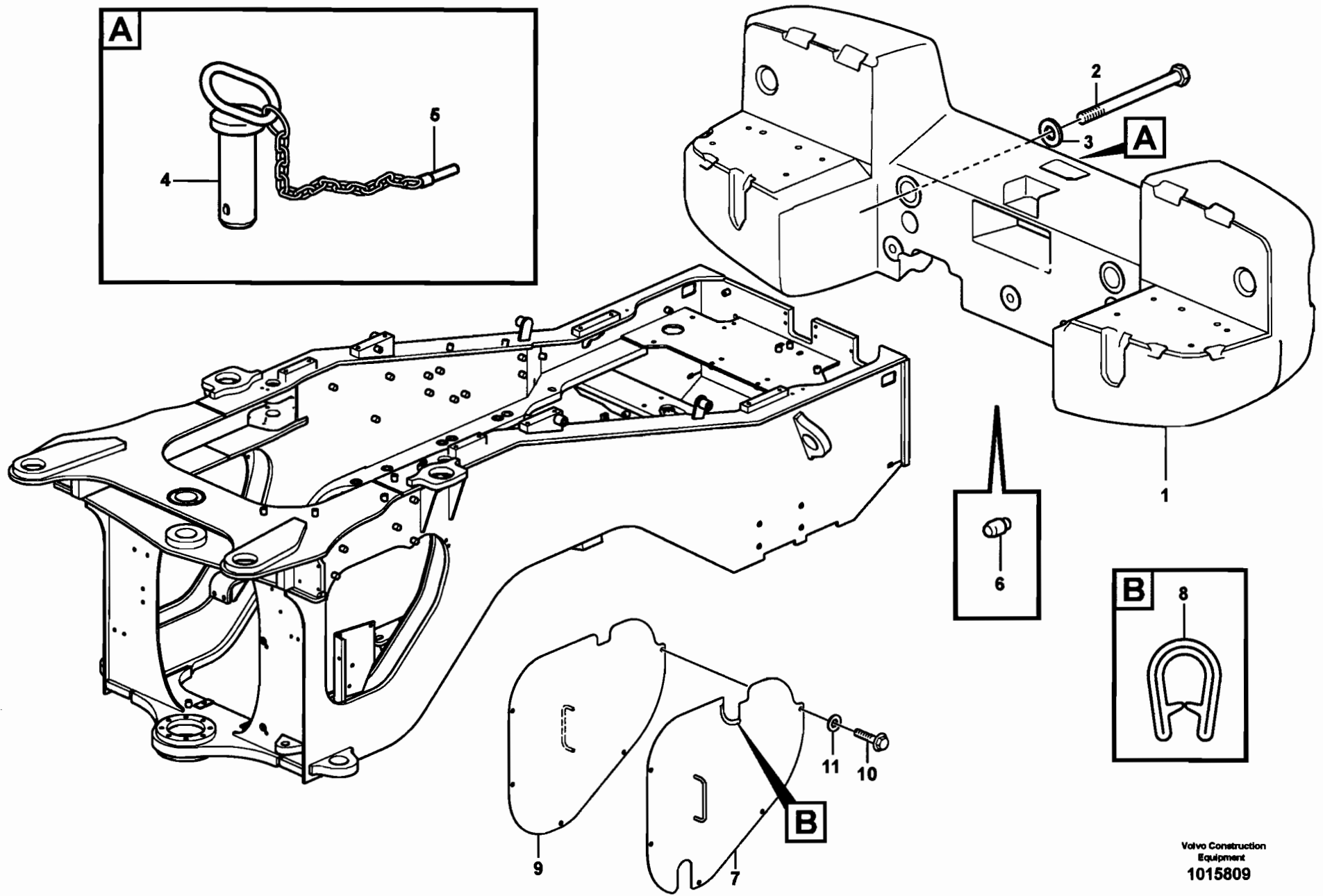
Volvo Construction
Equipment
1009590

| Fig. | Part No. | Quantity | | | | | P S | K I T | Description | Dénomination | Bezeichnung | Denominación | Benämning | Notes |
|------|--------------|----------|---|---|---|---|--------|----------------------|----------------------|---------------------|----------------------|---------------------|----------------|-------|
| | | 1 | 2 | 3 | 4 | 5 | | | | | | | | |
| 1 | VOE 11180604 | 1 | | | | | | Belly Guard | Tole Capotage..... | Schutzblech | Defensa | Bukplåt..... | | |
| 2 | VOE 11130393 | 1 | | | | | | Hatch | Trappe | Luke | Trampilla..... | Lucka..... | | |
| 3 | VOE 13965191 | 6 | | | | | | Flange screw | Vis à bride | Flanschschraube ... | Torn embridado | Flänsskruv..... | | |
| 4 | VOE 13960145 | 6 | | | | | | Washer | Rondelle | Scheibe | Arandela | Bricka..... | | |
| 5 | VOE 965195 | 1 | | | | | | Flange screw | Vis à bride | Flanschschraube ... | Torn embridado | Flänsskruv..... | | |
| 6 | VOE 971099 | 1 | | | | | | Flange Lock Nut..... | Contre écrou bride.. | Flanschmutter | Contratuer Embr..... | Flänslåsmutter..... | (VOE 13971099) | |
| 7 | VOE 11410859 | | 1 | 1 | | | | Hatch | Trappe | Luke | Trampilla..... | Lucka..... | (VOE 11176313) | |

| | | | | |
|---|--|---|-----------------------|------------|
| 1 | | Bukplåt, främre. Defensa, delantera. Schürzenblech, vorne. Tôle capotage, antérieur. Belly guard, front. | Catalogue id | Group |
| 2 | | | 20007 | 715 |
| 3 | | | Illustr. No | Section |
| 4 | | | 1009590 | 400 |
| 5 | | | Issue | Page |
| | | | VOE 63D9920007 | 591 |

VOLVO

L90E



| Fig. | Part No. | Quantity | | | P S | K I T | Description | Dénomination | Bezeichnung | Denominación | Benämning | Notes |
|------|--------------|----------|---|---|--------|-----------------------|-------------------------|-----------------------|-----------------------|--------------------|-----------------------------------|-------|
| | | 1 | 2 | 3 | | | | | | | | |
| 1 | VOE 11176560 | 1 | | | | Counterweight..... | Contrepoids..... | Gegengewicht..... | Contrapeso..... | Motvikt..... | | |
| 2 | VOE 955396 | 3 | | | | Hexagon screw | Vis tête hexagonale ... | Sechskantschraube.... | Tornillo hexago..... | Sexkantsskruv..... | L = 120 MM | |
| | VOE 13974302 | 2 | | | | Hexagon screw | Vis tête hexagonale ... | Sechskantschraube.... | Tornillo hexago..... | Sexkantsskruv..... | L = 240 MM,S/N - 20004 | |
| | VOE 963349 | 2 | | | | Hexagon screw | Vis tête hexagonale ... | Sechskantschraube.... | Tornillo hexago..... | Sexkantsskruv..... | S/N 20005 - S/N 70801 - BRAZIL | |
| 3 | VOE 955903 | 5 | | | | Washer..... | Rondelle..... | Scheibe..... | Arandela..... | Bricka..... | | |
| 4 | VOE 11176778 | 1 | | | | Towing Pin | Boulon Attelage..... | Zugbolzen | Perno Traccion..... | Dragbult..... | | |
| 5 | VOE 11093429 | 1 | | | | •Lock Pin..... | •Goupille Verro..... | •Sicherungsstift..... | •Pasador Segurid..... | •Låspinne..... | | |
| 6 | VOE 11015459 | 2 | | | | Pin..... | Goupille..... | Zapfen..... | Pasador..... | Tapp..... | | |
| 7 | VOE 11177299 | 1 | | | | Ptct Plate..... | Plaque Protect..... | Schutzplatte..... | Placa Protecc..... | Skyddsplatta..... | 82368 | |
| 8 | VOE 4786031 | REQ | | | | •Framework mouldin .. | •Baguette claire-voie.. | •Kubelstange..... | •Moldura armadura.... | •Skelettlis..... | | |
| 9 | VOE 11177246 | 1 | | | | Ptct Plate..... | Plaque Protect..... | Schutzplatte..... | Placa Protecc..... | Skyddsplatta..... | 82368 | |
| 10 | VOE 946329 | 10 | | | | Flange screw..... | Vis à bride..... | Flanschschraube..... | Tom embridado..... | Flänsskruv..... | 82368 | |
| 11 | VOE 13960143 | 10 | | | | Washer..... | Rondelle..... | Scheibe..... | Arandela..... | Bricka..... | 82368 | |

| | | | | |
|---|--|--------------------------------|----------------|---------|
| 1 | | Drag och motvikt | Catalogue id | Group |
| 2 | | Barra de tracción y contrapeso | 20007 | 716 |
| 3 | | Zug und Gegengewicht | Illustr. No | Section |
| 4 | | Barre attelage et contrepoids | 1015809 | 100 |
| 5 | | Rear hitch and counterweight | Issue | Page |
| | | STD, OPEN ROPS | VOE 63D9920007 | 593 |

VOLVO

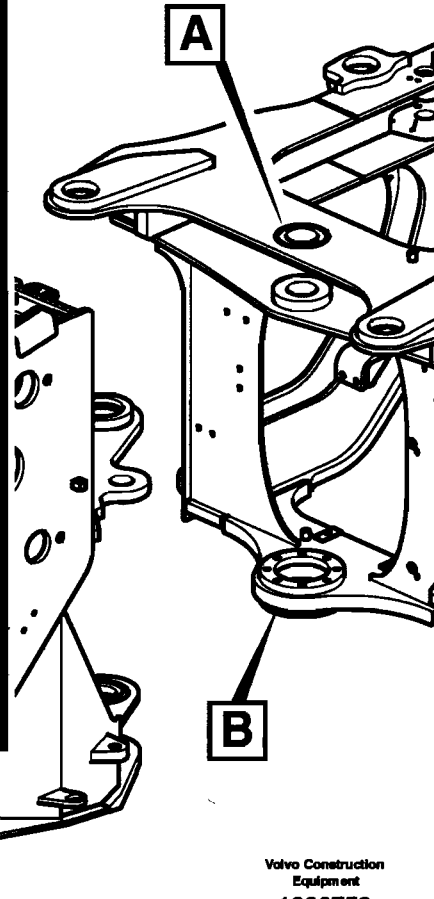
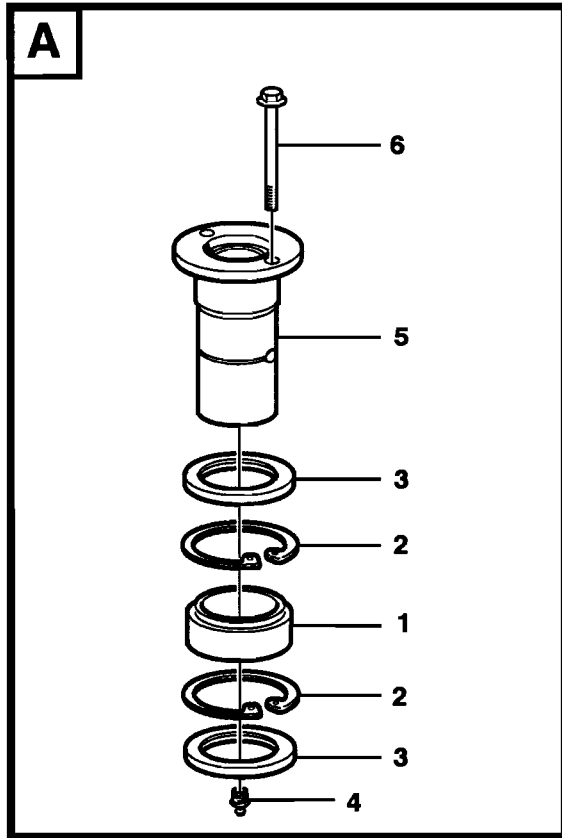
L90E

| Fig. | Part No. | Quantity | | | P S | K I T | Description | Dénomination | Bezeichnung | Denominación | Benämning | Notes |
|------|--------------|----------|---|---|--------|----------------------|---------------------|----------------------|---------------------|------------------|-----------|-------|
| | | 1 | 2 | 3 | | | | | | | | |
| 1 | VOE 11176217 | 1 | | | | Counterweight..... | Contrepoids..... | Gegengewicht..... | Contrapeso..... | Motvikt..... | | |
| 2 | VOE 11163179 | 2 | | | | Anchorage..... | Fixation..... | Halterung..... | Fijacion..... | Fäste..... | | |
| 3 | VOE 968437 | 8 | | | | Flange screw..... | Vis à bride..... | Flanschschraube..... | Torn embridado..... | Flänskruv..... | | |
| 4 | VOE 930847 | 8 | | | | Washer..... | Rondelle..... | Scheibe..... | Arandela..... | Bricka..... | | |
| 5 | VOE 13931675 | 2 | | | | Protecting Plug..... | Tampon Protect..... | Sicher Stöpsel..... | Tapon Protecc..... | Skyddspropp..... | | |

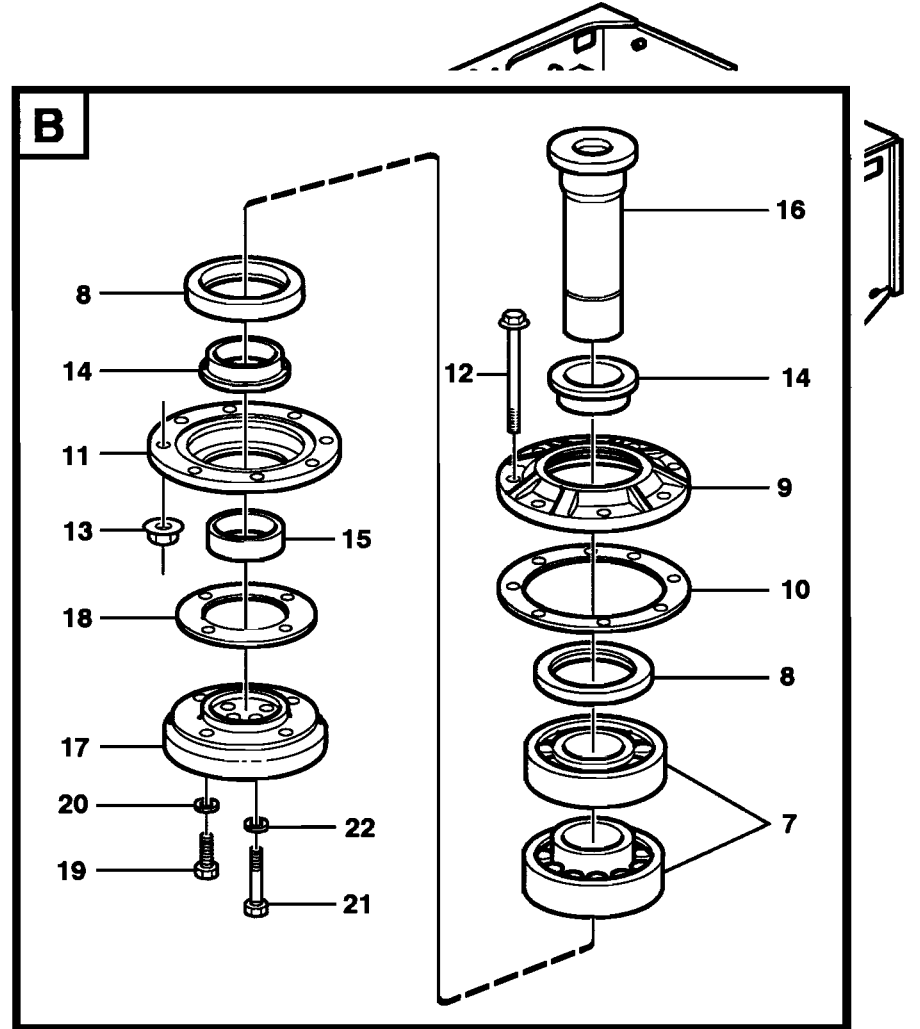
| | | | | |
|---|--|--|-----------------------|------------|
| 1 | | Motvikt Contrapeso Gegengewicht Contrepoids Counterweight 80953 | Catalogue id | Group |
| 2 | | | 20007 | 716 |
| 3 | | | Illustr. No | Section |
| 4 | | | 1001307 | 150 |
| 5 | | | Issue | Page |
| | | | VOE 63D9920007 | 595 |

VOLVO

L90E

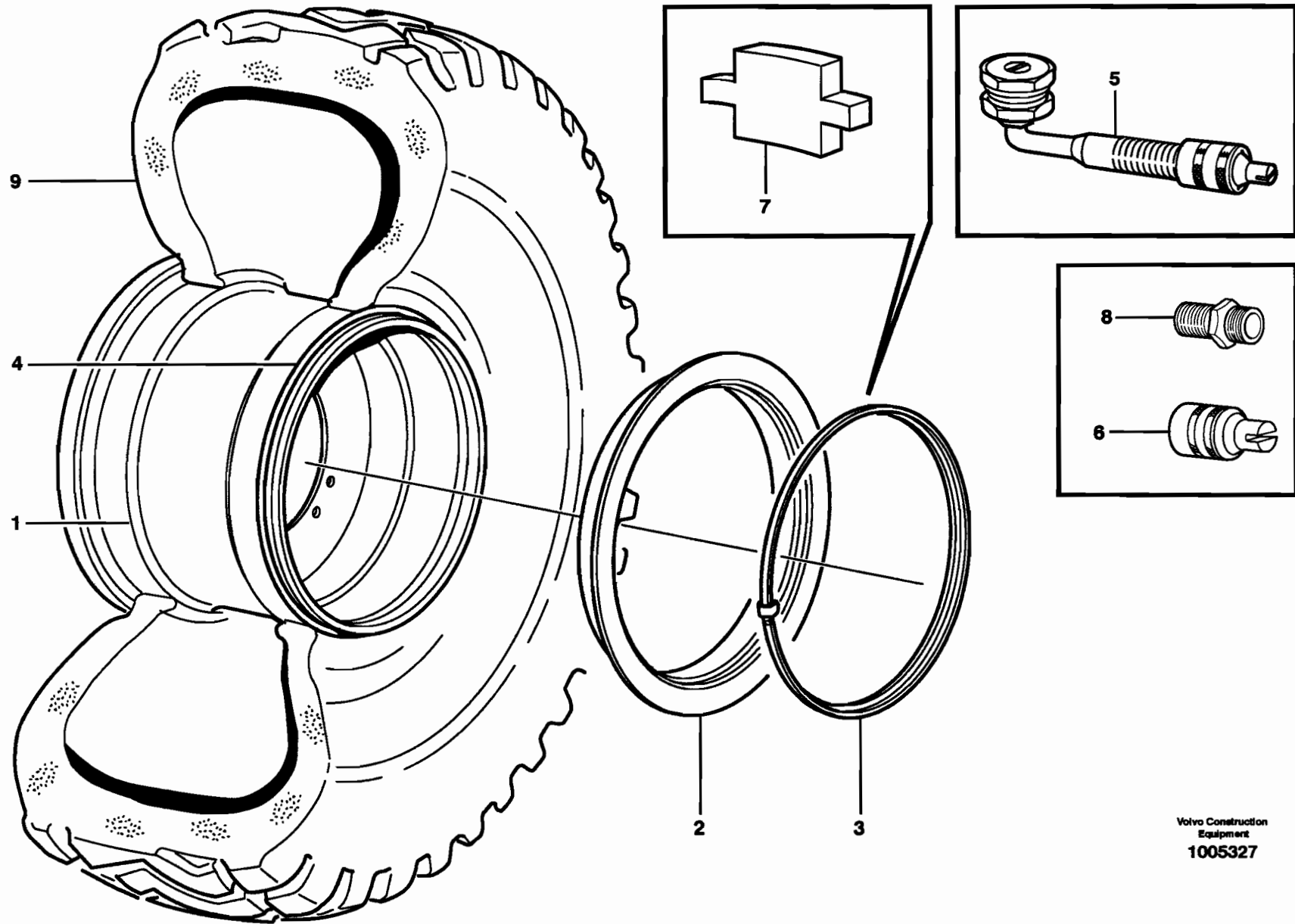


Valvo Construction
Equipment
1000752



| Fig. | Part No. | Quantity | | | P S | K I T | Description | Dénomination | Bezeichnung | Denominación | Benämning | Notes |
|------|--------------|----------|---|---|--------|-------------|--------------------------|-------------------------|-------------------------|--------------------------|---------------------|-----------------|
| | | 1 | 2 | 3 | | | | | | | | |
| 1 | VOE 6624649 | 1 | | | | | Spherical plain beari .. | Palier articule | Pendellager | Cojinete articulacion .. | Ledlager | |
| 2 | VOE 914552 | 2 | | | | | Snap Ring | Circlip | Nutring | Circlip | Spårring | |
| 3 | VOE 967941 | 2 | | | | | Sealing ring | Bague d'étanchéité .. | Runddichtring | Anillo reten | Tättningsring | |
| 4 | VOE 914169 | 1 | | | | | Nipple | Raccord | Nippel | Niple | Nippel | |
| | VOE 914170 | 1 | | | | | Nipple | Raccord | Nippel | Niple | Nippel | |
| 5 | VOE 11020095 | 1 | | | | | Pin | Goupille | Zapfen | Pasador | Tapp | |
| 6 | VOE 946472 | 2 | | | | | Flange screw | Vis à bride | Flanschschraube | Torn embridado | Flänskruv | |
| 7 | VOE 184707 | 2 | | | | | Roller Bearing | Roulement rouleaux .. | Rollenlager | Cojinet Rodillo | Rullager | |
| 8 | VOE 11018690 | 2 | | | | | Sealing ring | Bague d'étanchéité .. | Runddichtring | Anillo reten | Tättningsring | |
| 9 | VOE 4856770 | 1 | | | | | Cap | Chapeau | Kappe | Caperuza | Lock | |
| 10 | VOE 4856773 | 2 | | | | | Shim | Cale Reglage | Nachstellblech | Cuna de calzar | Justerbleck | THICK = 0,10 MM |
| | VOE 4856772 | 2 | | | | | Shim | Cale Reglage | Nachstellblech | Cuna de calzar | Justerbleck | THICK = 0,15 MM |
| | VOE 4856771 | 3 | | | | | Shim | Cale Reglage | Nachstellblech | Cuna de calzar | Justerbleck | THICK = 0,50 MM |
| 11 | VOE 4856769 | 1 | | | | | Cap | Chapeau | Kappe | Caperuza | Lock | |
| 12 | VOE 13946474 | 8 | | | | | Flange screw | Vis à bride | Flanschschraube | Torn embridado | Flänskruv | |
| 13 | VOE 13971096 | 8 | | | | | Flange nut | Ecrou accouple. | Bundmutter | Tuerca embridad | Flänsmutter | |
| 14 | VOE 4856768 | 2 | | | | | Spacer Ring | Bagu.entretoise | Abstandring | Anillo Dist | Distansring | |
| 15 | VOE 4850208 | 1 | | | | | Bushing | Bague | Buchse | Casquillo | Bussning | |
| 16 | VOE 11020203 | 1 | | | | | Pin | Goupille | Zapfen | Pasador | Tapp | |
| 17 | VOE 4930994 | 1 | | | | | Attaching Washer | Rondelle Fixation | Befestigungsscheibe .. | Arandela | Fästbricka | |
| 18 | VOE 4850222 | 2 | | | | | Shim | Cale Reglage | Nachstellblech | Cuna de calzar | Justerbleck | THICK = 0,1 MM |
| | VOE 4850223 | 2 | | | | | Shim | Cale Reglage | Nachstellblech | Cuna de calzar | Justerbleck | THICK = 0,15 MM |
| | VOE 4850224 | 2 | | | | | Shim | Cale Reglage | Nachstellblech | Cuna de calzar | Justerbleck | THICK = 0,50 MM |
| | VOE 4850225 | 2 | | | | | Shim | Cale Reglage | Nachstellblech | Cuna de calzar | Justerbleck | THICK = 1,20 MM |
| 19 | VOE 978941 | 4 | | | | | Hexagon screw | Vis a tête hexagonale | Sechskantschr | Tornillo hexago | Sexkantsskruv | |
| 20 | VOE 13955900 | 4 | | | | | Washer | Rondelle | Scheibe | Arandela | Bricka | |
| 21 | VOE 978938 | 4 | | | | | Hexagon screw | Vis tête hexagonale .. | Sechskantschraube | Tornillo hexago | Sexkantsskruv | |
| 22 | VOE 13955900 | 4 | | | | | Washer | Rondelle | Scheibe | Arandela | Bricka | |

| | | | | |
|---|--|---|-----------------------|------------|
| 1 | | Ramled Articulación de bastidor Rahmenknickgelenk Articulation chassis Frame link STD, OPEN ROPS | Catalogue id | Group |
| 2 | | | 20007 | 741 |
| 3 | | | Illustr. No | Section |
| 4 | | | 1000752 | 100 |
| 5 | | | Issue | Page |
| | | | VOE 63D9920007 | 597 |



| Fig. | Part No. | Quantity | | | P S | K I T | Description | Dénomination | Bezeichnung | Denominación | Benämning | Notes |
|------|--------------|----------|---|---|--------|-------------------|-------------------------|----------------------|-----------------------|----------------|-----------|-------|
| | | 1 | 2 | 3 | | | | | | | | |
| 1 | VOE 11180053 | 4 | 4 | | | Wheel..... | Roue | Rad..... | Rueda..... | Hjul..... | | |
| | VOE 11180170 | | | 4 | | Wheel..... | Roue | Rad..... | Rueda..... | Hjul..... | | |
| 2 | VOE 11180447 | 1 | 1 | | | •Rim Flange | •Flanc Jante | •Felgenhorn..... | •Esquina Llanta | •Fälghorn..... | | |
| | VOE 11020635 | | | 1 | | •Rim Flange | •Flanc Jante | •Felgenhorn..... | •Esquina Llanta | •Fälghorn..... | | |
| 3 | VOE 4781750 | 1 | 1 | | | •Lock Ring..... | •Anneau Verrouillage .. | •Schlossring | •Anillo Segurid..... | •Låsring..... | | |
| | VOE 11020636 | | | 1 | | Lock Ring..... | Anneau Verrouillage .. | Schlossring..... | Anillo Segurid | Låsring..... | | |
| 4 | VOE 4789789 | 4 | 4 | | | O-ring..... | Joint Torique | O-Ring..... | Junta torica..... | O-ring..... | | |
| | VOE 4789826 | | | 4 | | O-ring..... | Joint Torique | O-Ring..... | Junta torica..... | O-ring..... | | |
| 5 | VOE 11000054 | 4 | 4 | 4 | | Valve..... | Soupape..... | Ventil..... | Valvula | Ventil..... | | |
| 6 | VOE 4789869 | 4 | 4 | | | Cap..... | Chapeau | Verschlusskappe..... | Caperuza..... | Hatt..... | | |
| 7 | VOE 11020637 | | | 1 | | Lock Lug | Talon Verrouil..... | Sperrzacken | Talon Cierre | Låsklack..... | | |
| 8 | VOE 6633616 | 4 | 4 | | | Nipple..... | Raccord..... | Nippel..... | Niple | Nippel..... | | |
| 9 | | | | | NS | Tire..... | Pneu..... | Reifen..... | Neumatico | Däck | | |

| | | | | |
|---|-------|---------------------------------------|-----------------------|------------|
| 1 | 82517 | Hjul Rueda Rad Roue Wheel | Catalogue id | Group |
| 2 | 82494 | | 20007 | 771 |
| 3 | 82146 | | Illustr. No | Section |
| 4 | | | 1005327 | 100 |
| 5 | | | Issue | Page |
| | | | VOE 63D9920007 | 599 |

VOLVO

L90E

VOLVO

Construction Equipment

(

(

,

(

(

(

(

| GROUP | | Section | Page | GROUP | | Section | Page |
|-------|--|---------|------|-------|--|---------|------|
| 810 | Drivers cab..... | 100 | 613 | 852 | Operator seat with fitting parts..... | 100 | 691 |
| 810 | Cab body: roof and floor panel. STD..... | 150 | 615 | 852 | Operator's seat. 80503..... | 150 | 695 |
| 810 | Cab body: roof and floor panel. OPEN ROPS..... | 200 | 619 | 852 | Operator's seat, ISRI. 80504, 80505..... | 200 | 697 |
| 818 | Driver's cab, mounting block STD, OPEN ROPS..... | 100 | 621 | 852 | Operator's seat, heated, air suspended. 80506..... | 250 | 699 |
| 821 | Engine cover STD, OPEN ROPS..... | 100 | 623 | 852 | Driver's seat. 94909..... | 300 | 701 |
| 821 | Top plate, side hatches, rear S/N 21157 -, 66712 - USA, 70949 - BRA150..... | 629 | | 852 | Driver's seat. 80572..... | 350 | 703 |
| 821 | Top plate, side hatches, rear S/N 21158 -, 66713 - USA, 70950 - BRA160..... | 633 | | 852 | Instructor seat 80556..... | 400 | 705 |
| 821 | Noise reduction. 82173..... | 170 | 637 | 852 | Operator seat with fitting parts OPEN ROPS..... | 450 | 707 |
| 821 | Side hatches, front STD, OPEN ROPS..... | 200 | 639 | 860 | Windshield guard for windshield. 82492..... | 125 | 709 |
| 823 | Radiator casing, support STD, OPEN ROPS, S/N -21157, -66712 USA, - 70949 BRA..... | 100 | 641 | 860 | Window guards, side and rear windows. 80144..... | 150 | 711 |
| 823 | Radiator casing, support STD, OPEN ROPS, S/N 21158-, 66713- USA, 70950- BRA..... | 110 | 645 | 860 | Hub protection 82245..... | 300 | 713 |
| 823 | Radiator casing STD, OPEN ROPS..... | 150 | 649 | 865 | Noise reduction..... | 100 | 715 |
| 823 | Protecting plates 82292..... | 300 | 651 | 872 | Air distribution..... | 100 | 717 |
| 825 | Fenders, front and rear. STD, OPEN ROPS..... | 100 | 653 | 872 | Fresh air inlet, air filter and fan housing..... | 125 | 719 |
| 825 | Fenders, front and rear. 82628..... | 150 | 655 | 872 | Air filter..... | 150 | 723 |
| 826 | Fender, rear SER NO - 20004..... | 100 | 657 | 872 | Air ducts..... | 200 | 725 |
| 826 | Fender, rear SER NO 20005 -, SER NO 66001 - USA, SER NO 70801 - BRA..... | 110 | 659 | 872 | Fan..... | 250 | 727 |
| 826 | Fender, rear OPEN ROPS..... | 120 | 663 | 873 | Heating system..... | 100 | 729 |
| 827 | Foot step STD, OPEN ROPS..... | 100 | 667 | 873 | Radiator and control..... | 150 | 731 |
| 831 | Door with fitting parts..... | 100 | 669 | 874 | Air conditioning. 80868..... | 100 | 733 |
| 831 | Door..... | 150 | 671 | 874 | Compressor for cooling agent R134a with fitting parts. 80813, 80868150..... | 200 | 735 |
| 837 | Filter cover..... | 200 | 675 | 874 | Condenser for cooling agent R134a with fitting parts..... | 200 | 737 |
| 841 | Rear view mirror..... | 100 | 677 | 874 | Evaporator for cooling agent R134a with fitting parts. 80813, 80868, 82772..... | 250 | 739 |
| 843 | Glass panes..... | 100 | 681 | 874 | Assembly of hose: evaporator, receiver drier and condenser. 80813, 80868..... | 300 | 743 |
| 843 | Sliding window..... | 150 | 683 | 874 | Air compressor..... | 350 | 747 |
| 843 | Windows..... | 200 | 685 | 881 | Instrument panel..... | 100 | 749 |
| 851 | Insulating matting STD..... | 100 | 687 | 881 | Instrument panel OPEN ROPS..... | 150 | 751 |
| 851 | Insulating matting..... | 150 | 689 | 881 | Radio bracket. 80518, 80390, 82331, 82332..... | 200 | 753 |
| | | | | 882 | Interior components..... | 100 | 755 |

INDEX OF CONTENTS

| | |
|--------------------------------|---------------------|
| Catalogue id 20007 | Group 800 |
| Issue VOE 63D9920007 | Page 601 |

VOLVO

L90E

INDEX OF CONTENTSCatalogue id
20007Group
800Issue
VOE 63D9920007Page
602

| GROUP | Section | Page | GROUP | Section | Page |
|--------------|---|-------------|--------------|----------------|-------------|
| 882 | Interior components, sun blinds. 80307, 80308 | 150 | | 757 | |
| 882 | Armrest STD, OPEN ROPS..... | 200 | | 759 | |
| 882 | Cover for servo valves STD, OPEN ROPS..... | 300 | | 761 | |
| 882 | CDC - steering, sheet metal parts. 80929..... | 500 | | 763 | |
| 882 | Arm rest. 80929 | 550 | | 765 | |
| 882 | Cover for servo valves 80930 | 600 | | 769 | |
| 896 | Tool box 80800 | 100 | | 773 | |
| 896 | Tools 90007, 99183 | 150 | | 775 | |
| 896 | Pump 93988..... | 200 | | 777 | |
| 897 | Sign plates and decals STD, OPEN ROPS | 100 | | 779 | |
| 897 | LGF - sign. | 150 | | 781 | |
| 897 | Illustrations of sign plates and decals STD, OPEN ROPS..... | 300 | | 783 | |



| GROUPE | Section | Page | GROUPE | Section | Page |
|---|---------|------|--|---------|------|
| 810 Cabine..... | 100 | 613 | 851 Tapis isolant STD..... | 100 | 687 |
| 810 Corps de cabine: toit et tôle plancher. STD..... | 150 | 615 | 851 Tapis isolant..... | 150 | 689 |
| 810 Corps de cabine: toit et tôle plancher. OPEN ROPS..... | 200 | 619 | 852 Siège conducteur avec pièces de montage..... | 100 | 691 |
| 818 Cabina du conducteur, suspension STD, OPEN ROPS..... | 100 | 621 | 852 Siège du conducteur. 80503..... | 150 | 695 |
| 821 Porte visite moteur STD, OPEN ROPS..... | 100 | 623 | 852 Siège du conducteur, ISRI. 80504, 80505..... | 200 | 697 |
| 821 Tole superieure, porte laterale, AR S/N 21157 -, 66712 - USA, 70949 - BRA..... | 150 | 629 | 852 Siège du conducteur suspension pneumatique. 80506..... | 250 | 699 |
| 821 Tole superieure, porte laterale, AR S/N 21158 -, 66713 - USA, 70950 - BRA..... | 160 | 633 | 852 Siège du conducteur. 94909..... | 300 | 701 |
| 821 Equipment insonorisant. 82173..... | 170 | 637 | 852 Siège du conducteur. 80572..... | 350 | 703 |
| 821 Porte latérale, AV STD, OPEN ROPS..... | 200 | 639 | 852 Siège du conducteur 80556..... | 400 | 705 |
| 823 Boîtier radiateur, bati STD, OPEN ROPS, S/N -21157, -66712 USA, - 70949 BRA..... | 100 | 641 | 852 Siège conducteur avec pièces de montage OPEN ROPS..... | 450 | 707 |
| 823 Boîtier radiateur, bati STD, OPEN ROPS, S/N 21158-, 66713- USA, 70950- BRA..... | 110 | 645 | 860 Grille protection, par-brise. 82492..... | 125 | 709 |
| 823 Boîtier radiateur STD, OPEN ROPS..... | 150 | 649 | 860 Grille protection, vitre laterale et lunette AR. 80144..... | 150 | 711 |
| 823 Tole protection 82292..... | 300 | 651 | 860 Protection de moyeu 82245..... | 300 | 713 |
| 825 Garde-boue,av et Ar STD, OPEN ROPS..... | 100 | 653 | 865 Equipment insonorisant..... | 100 | 715 |
| 825 Garde-boue,av et Ar 82628..... | 150 | 655 | 872 Distribution d'air..... | 100 | 717 |
| 826 Aile, AR SER NO - 20004..... | 100 | 657 | 872 Entrée air frais, filtre a air et boîtier ventilateur..... | 125 | 719 |
| 826 Aile, AR SER NO 20005 -, SER NO 66001 - USA, SER NO 70801 - BRA..... | 110 | 659 | 872 Filtre à air..... | 150 | 723 |
| 826 Aile, AR OPEN ROPS..... | 120 | 663 | 872 Canalisation d'air..... | 200 | 725 |
| 827 Marche-pied STD, OPEN ROPS..... | 100 | 667 | 872 Ventilateur..... | 250 | 727 |
| 831 Porte avec pièces de montage..... | 100 | 669 | 873 Système du chauffage..... | 100 | 729 |
| 831 Porte..... | 150 | 671 | 873 Radiateur et réglage..... | 150 | 731 |
| 837 Couvercle de filtre..... | 200 | 675 | 874 Climatisation. 80868..... | 100 | 733 |
| 841 Retroviseur..... | 100 | 677 | 874 Compresseur avec pieces de montage. Refrigerant R134a. 80813, 80868..... | 150 | 735 |
| 843 Vitres..... | 100 | 681 | 874 Condenseur avec pieces de montage. Refrigerant R134a..... | 200 | 737 |
| 843 Vitre coulissante..... | 150 | 683 | 874 Evaporateur aves pieces de montage. Refrigerant R134a. 80813, 80868, 82772..... | 250 | 739 |
| 843 Fenêtres..... | 200 | 685 | 874 Montage flexibles: évaporateur, deshydrat.et condenseur. 80813, 80868..... | 300 | 743 |
| | | | 874 Compresseur..... | 350 | 747 |
| | | | 881 Tableau de bord..... | 100 | 749 |

TABLE DES MATIÈRES

| | |
|--------------------------------|---------------------|
| Catalogue id 20007 | Group 800 |
| Issue VOE 63D9920007 | Page 603 |

VOLVO

L90E

| | | | |
|---------------------------|--|--------------------------------|---------------------|
| TABLE DES MATIÈRES | | Catalogue id 20007 | Group 800 |
| | | Issue VOE 63D9920007 | Page 604 |

| GROUPE | Section | Page | GROUPE | Section | Page |
|--------|---------|------|--------|---------|------|
|--------|---------|------|--------|---------|------|

| | | | | | |
|-----|---|-----|-----|--|--|
| 881 | Tableau de bord OPEN ROPS | 150 | 751 | | |
| 881 | Panneau radio. 80518, 80390, 82331, 82332..... | 200 | 753 | | |
| 882 | Pieces d'amenagement..... | 100 | 755 | | |
| 882 | Pièces d'aménagement, jalousie. 80307, 80308 | 150 | 757 | | |
| 882 | Accoudoir STD, OPEN ROPS | 200 | 759 | | |
| 882 | Capot pour servovalve STD, OPEN ROPS | 300 | 761 | | |
| 882 | CDC - direction, détails de tôle. 80929 | 500 | 763 | | |
| 882 | Accoudoir. 80929 | 550 | 765 | | |
| 882 | Capot pour servovalve 80930 | 600 | 769 | | |
| 896 | Caisse à outils 80800..... | 100 | 773 | | |
| 896 | Outillage 90007, 99183..... | 150 | 775 | | |
| 896 | Pompe 93988..... | 200 | 777 | | |
| 897 | Enseignes et décalcomanies STD, OPEN ROPS..... | 100 | 779 | | |
| 897 | Plaque "véhicule lent". | 150 | 781 | | |
| 897 | Illustration enseignes et décalcomanies STD, OPEN ROPS..... | 300 | 783 | | |

| GRUPPE | Abschnitt | Seite | GRUPPE | Abschnitt | Seite |
|---|-----------|-------|---|-----------|-------|
| 810 Fahrerhaus..... | 100 | 613 | 851 Isoliermatten STD | 100 | 687 |
| 810 Fahrerhausgerippe: Dach und Bodenblech. STD | 150 | 615 | 851 Isoliermatten..... | 150 | 689 |
| 810 Fahrerhausgerippe: Dach und Bodenblech. OPEN ROPS | 200 | 619 | 852 Fahrersitz mit Anbauteilen | 100 | 691 |
| 818 Fahrerhaus, aufhängung STD, OPEN ROPS | 100 | 621 | 852 Fahrersitz. 80503 | 150 | 695 |
| 821 Motorklappe STD, OPEN ROPS..... | 100 | 623 | 852 Fahrersitz, ISRI. 80504, 80505 | 200 | 697 |
| 821 Deckblech, Seitenklappen, hintere S/N 21157 -, 66712 - USA, 70949 - BRA | 150 | 629 | 852 Fahrersitz, Luftfedert. 80506 | 250 | 699 |
| 821 Deckblech, Seitenklappen, hintere S/N 21158 -, 66713 - USA, 70950 - BRA | 160 | 633 | 852 Fahrersitz. 94909 | 300 | 701 |
| 821 Schallisoliermaterial. 82173 | 170 | 637 | 852 Fahrersitz. 80572 | 350 | 703 |
| 821 Seitenklappe, vordere STD, OPEN ROPS | 200 | 639 | 852 Sitz 80556 | 400 | 705 |
| 823 Kühlerhaube, Stativ STD, OPEN ROPS, S/N -21157, -66712 USA, - 70949 BRA..... | 100 | 641 | 852 Fahrersitz mit Anbauteilen OPEN ROPS | 450 | 707 |
| 823 Kühlerhaube, Stativ STD, OPEN ROPS, S/N 21158-, 66713- USA, 70950- BRA | 110 | 645 | 860 Schutzgitter für Frontscheibe. 82492 | 125 | 709 |
| 823 Kühlerhaube STD, OPEN ROPS | 150 | 649 | 860 Schutzgitter für Seitenscheibe und Heckfenster. 80144 | 150 | 711 |
| 823 Schutzblechen 82292 | 300 | 651 | 860 Nabenschutz 82245 | 300 | 713 |
| 825 Vorder- und Hinterkot- flügel STD, OPEN ROPS | 100 | 653 | 865 Schallisoliermaterial. | 100 | 715 |
| 825 Vorder- und Hinterkot- flügel 82628..... | 150 | 655 | 872 Luftverteilung..... | 100 | 717 |
| 826 Kotflügel, hinten SER NO - 20004 | 100 | 657 | 872 Frischlufteinlass, Luftfilter und Gebläseschacht..... | 125 | 719 |
| 826 Kotflügel, hinten SER NO 20005 -, SER NO 66001 - USA, SER NO 70801 - BRA | 110 | 659 | 872 Luftfilter. | 150 | 723 |
| 826 Kotflügel, hinten OPEN ROPS..... | 120 | 663 | 872 Luftkanäle..... | 200 | 725 |
| 827 Trittleiter STD, OPEN ROPS | 100 | 667 | 872 Gebläse..... | 250 | 727 |
| 831 Tür mit Anbauteilen..... | 100 | 669 | 873 Heizsystem..... | 100 | 729 |
| 831 Tür..... | 150 | 671 | 873 Heizkörper und Regler | 150 | 731 |
| 837 Filterdeckel..... | 200 | 675 | 874 Klimaanlage. 80868 | 100 | 733 |
| 841 Rückspiegel | 100 | 677 | 874 Kompressor mit anbauteilen. Kältemittel R134a. 80813, 80868 | 150 | 735 |
| 843 Fensterscheibe | 100 | 681 | 874 Kondensator mit anbau- teilen. Kältemittel R134a..... | 200 | 737 |
| 843 Schieze Fenster. | 150 | 683 | 874 Verdampfer mit anbauteilen. Kältemittel R134a. 80813, 80868, 82772 | 250 | 739 |
| 843 Fenster..... | 200 | 685 | 874 Anbauteile Schlauch: Verdampfer, Entfeuchter und kondensor. 80813, 80868 | 300 | 743 |
| | | | 874 Kompressor | 350 | 747 |
| | | | 881 Instrumententafel | 100 | 749 |
| | | | 881 Instrumententafel OPEN ROPS | 150 | 751 |

INHALTSVERZEICHNIS

| | |
|--------------------------------|---------------------|
| Catalogue id 20007 | Group 800 |
| Issue VOE 63D9920007 | Page 605 |

VOLVO

L90E

INHALTSVERZEICHNIS

| | |
|--------------------------------|---------------------|
| Catalogue id 20007 | Group 800 |
| Issue VOE 63D9920007 | Page 606 |

| GRUPPE | Abschnitt | Seite | GRUPPE | Abschnitt | Seite |
|--------|---|-------|--------|-----------|-------|
| 881 | Radiotafel. 80518, 80390, 82331, 82332..... | 200 | | | 753 |
| 882 | Innenausstattung | 100 | | | 755 |
| 882 | Innenausstattung, Sonnenvorhang. 80307, 80308 | 150 | | | 757 |
| 882 | Armlehne STD, OPEN ROPS | 200 | | | 759 |
| 882 | Haube für Servoventil STD, OPEN ROPS..... | 300 | | | 761 |
| 882 | CDC - Lenkung, Blechdetails. 80929 | 500 | | | 763 |
| 882 | Armlehne. 80929..... | 550 | | | 765 |
| 882 | Haube für Servoventil 80930 | 600 | | | 769 |
| 896 | Werkzeugkasten 80800 | 100 | | | 773 |
| 896 | Werkzeuge 90007, 99183..... | 150 | | | 775 |
| 896 | Pumpe 93988..... | 200 | | | 777 |
| 897 | Schilder und aufklebeschild STD, OPEN ROPS..... | 100 | | | 779 |
| 897 | LGF - Warndreieck..... | 150 | | | 781 |
| 897 | Illustration von Schilder und Aufklebeschild STD, OPEN ROPS | 300 | | | 783 |

| GRUPO | Sección | Página | GRUPO | Sección | Página | | |
|-------|--|--------|-------|---------|--|-----|-----|
| 810 | Cabina..... | 100 | 613 | 851 | Alfombras aislantes STD..... | 100 | 687 |
| 810 | Cuerpo de cabina: techo yplancha de piso. STD..... | 150 | 615 | 851 | Alfombras aislantes..... | 150 | 689 |
| 810 | Cuerpo de cabina: techo yplancha de piso. OPEN ROPS | 200 | 619 | 852 | Asiento del conductor con piezas de montaje..... | 100 | 691 |
| 818 | Cabina, suspension STD, OPEN ROPS..... | 100 | 621 | 852 | Asiento del conductor. 80503..... | 150 | 695 |
| 821 | Tapa del motor STD, OPEN ROPS | 100 | 623 | 852 | Asiento del conductor, ISRI. 80504, 80505..... | 200 | 697 |
| 821 | Placa superior, placa lateral, trasero S/N 21157 -, 66712 - USA, 70949 - BRA | 150 | 629 | 852 | Asiento de conducción de suspensión neumática. 80506 | 250 | 699 |
| 821 | Placa superior, placa lateral, trasero S/N 21158 -, 66713 - USA, 70950 - BRA | 160 | 633 | 852 | Asiento del conductor. 94909..... | 300 | 701 |
| 821 | Equipo insonorizante. 82173 | 170 | 637 | 852 | Asiento del conductor. 80572..... | 350 | 703 |
| 821 | Tapas laterales, delanteras STD, OPEN ROPS | 200 | 639 | 852 | Asiento del instructor 80556..... | 400 | 705 |
| 823 | Cubierta del radiador, base STD, OPEN ROPS, S/N -21157, -66712 USA, - 70949 BRA | 100 | 641 | 852 | Asiento del conductor con piezas de montaje OPEN ROPS | 450 | 707 |
| 823 | Cubierta del radiador, base STD, OPEN ROPS, S/N 21158-, 66713- USA, 70950- BRA | 110 | 645 | 860 | Rejilla proteccion, cristal delantero. 82492 | 125 | 709 |
| 823 | Cubierta del radiador STD, OPEN ROPS..... | 150 | 649 | 860 | Rejilla proteccion, ventana lateral y luneta posterior. 80144..... | 150 | 711 |
| 823 | Placas de proteccion 82292..... | 300 | 651 | 860 | Protección de cubo 82245 | 300 | 713 |
| 825 | Guardabarros delanteros ytrasero STD, OPEN ROPS | 100 | 653 | 865 | Equipo insonorizante..... | 100 | 715 |
| 825 | Guardabarros delanteros ytrasero 82628..... | 150 | 655 | 872 | Distribucion del aire..... | 100 | 717 |
| 826 | Guardabarros, trasero SER NO - 20004..... | 100 | 657 | 872 | Toma aire fresco, filtro de aire y caja ventilador | 125 | 719 |
| 826 | Guardabarros, trasero SER NO 20005 -, SER NO 66001 - USA, SER NO 70801 - BRA | 110 | 659 | 872 | Filtro de aire. | 150 | 723 |
| 826 | Guardabarros, trasero OPEN ROPS | 120 | 663 | 872 | Conductos de aire | 200 | 725 |
| 827 | Escalón de acceso STD, OPEN ROPS | 100 | 667 | 872 | Ventilador | 250 | 727 |
| 831 | Puerta con accesorios de montaje..... | 100 | 669 | 873 | Sistema de calefacción | 100 | 729 |
| 831 | Puerta | 150 | 671 | 873 | Radiador y reglaje | 150 | 731 |
| 837 | Tapa de filtro | 200 | 675 | 874 | Aire acondicionado. 80868..... | 100 | 733 |
| 841 | Retrovisor..... | 100 | 677 | 874 | Compresor con accesorios de montaje. Frigorigena R134a. 80813, 80868 | 150 | 735 |
| 843 | Ventanillas | 100 | 681 | 874 | Condensador con accesorios de montaje. Refrigerante R134a. | 200 | 737 |
| 843 | Ventana despla..... | 150 | 683 | 874 | Evaporador con accesorios de montaje. Refrigerante R134a. 80813, 80868, 82772 | 250 | 739 |
| 843 | Ventanas..... | 200 | 685 | 874 | Conjunto de mangueras: evaporador, secador y condensador. 80813, 80868 | 300 | 743 |
| | | | | 874 | Compresor | 350 | 747 |
| | | | | 881 | Panel de instrumentos | 100 | 749 |

INDICE

| | |
|--------------------------------|---------------------|
| Catalogue id 20007 | Group 800 |
| Issue VOE 63D9920007 | Page 607 |

VOLVO

L90E

INDICE

| | |
|--------------------------------|---------------------|
| Catalogue id 20007 | Group 800 |
| Issue VOE 63D9920007 | Page 608 |

| GRUPO | Sección | Página | GRUPO | Sección | Página |
|-------|---|--------|-------|---------|--------|
| 881 | Panel de instrumentos OPEN ROPS | 150 | | | 751 |
| 881 | Panel radio. 80518, 80390, 82331, 82332 | 200 | | | 753 |
| 882 | Detalles interiores | 100 | | | 755 |
| 882 | Componentes interiores, cortina parasol. 80307, 80308 | 150 | | | 757 |
| 882 | Reposabrazos STD, OPEN ROPS | 200 | | | 759 |
| 882 | Cubierta para servoválvula STD, OPEN ROPS..... | 300 | | | 761 |
| 882 | CDC - dirección, piezas de chapa. 80929 | 500 | | | 763 |
| 882 | Reposabrazos. 80929..... | 550 | | | 765 |
| 882 | Cubierta para servoválvula 80930 | 600 | | | 769 |
| 896 | Caja herramientas 80800..... | 100 | | | 773 |
| 896 | Herramientas 90007, 99183 | 150 | | | 775 |
| 896 | Bomba 93988..... | 200 | | | 777 |
| 897 | Muestras y decalcomanías STD, OPEN ROPS | 100 | | | 779 |
| 897 | LGF - letreros..... | 150 | | | 781 |
| 897 | Ilustración muestras y calcomanías STD, OPEN ROPS | 300 | | | 783 |

| GRUPP | Avsnitt | Sida | GRUPP | Avsnitt | Sida |
|---|---------|------|---|---------|------|
| 810 Hytt..... | 100 | 613 | 852 Förrarstol med monteringsdetaljer | 100 | 691 |
| 810 Hyttstomme: tak och golvplåt. STD..... | 150 | 615 | 852 Förrarstol, ISRI. 80503 | 150 | 695 |
| 810 Hyttstomme: tak och golvplåt. OPEN ROPS | 200 | 619 | 852 Förrarstol, ISRI. 80504, 80505 | 200 | 697 |
| 818 Förrarhytt, upphängning STD, OPEN ROPS | 100 | 621 | 852 Luftfjädrande förrarstol, Eluppvärmd. 80506 | 250 | 699 |
| 821 Motorlucka STD, OPEN ROPS..... | 100 | 623 | 852 Förrarstol. 94909 | 300 | 701 |
| 821 Överplåt, sidoluckor, bakre S/N 21157 -, 66712 - USA, 70949 - BRA..... | 150 | 629 | 852 Förrarstol. 80572 | 350 | 703 |
| 821 Överplåt, sidoluckor, bakre S/N 21158 -, 66713 - USA, 70950 - BRA..... | 150 | 633 | 852 Instruktörssäte 80556..... | 400 | 705 |
| 821 Ljudisolering. 82173..... | 170 | 637 | 852 Förrarstol med monteringsdetaljer OPEN ROPS | 450 | 707 |
| 821 Sidoluckor, främre STD, OPEN ROPS | 200 | 639 | 860 Skyddsgaller för frontruta. 82492 | 125 | 709 |
| 823 Kylarkåpa, stativ STD, OPEN ROPS, S/N -21157, -66712 USA, - 70949 BRA..... | 100 | 641 | 860 Skyddsgaller, sidorutor och bakruta. 80144..... | 150 | 711 |
| 823 Kylarkåpa, stativ STD, OPEN ROPS, S/N 21158-, 66713- USA, 70950- BRA | 110 | 645 | 860 Navskydd 82245 | 300 | 713 |
| 823 Kylarkåpa STD, OPEN ROPS | 150 | 649 | 865 Ljudisolering | 100 | 715 |
| 823 Skyddsplåtar 82292 | 300 | 651 | 872 Luftdistribution..... | 100 | 717 |
| 825 Skärmar, fram och bak. STD, OPEN ROPS | 100 | 653 | 872 Friskluftintag, luftfilter och fläkthus | 125 | 719 |
| 825 Skärmar, fram och bak. 82628..... | 150 | 655 | 872 Luftfilter. | 150 | 723 |
| 826 Stänkskärm, bak SER NO - 20004 | 100 | 657 | 872 Luftkanaler | 200 | 725 |
| 826 Stänkskärm, bak SER NO 20005 -, SER NO 66001 - USA, SER NO 70801 - BRA | 110 | 659 | 872 Fläkt | 250 | 727 |
| 826 Stänkskärm, bak OPEN ROPS..... | 120 | 663 | 873 Värmesystem | 100 | 729 |
| 827 Fotsteg STD, OPEN ROPS | 100 | 667 | 873 Radiator och reglage..... | 150 | 731 |
| 831 Dörr med monteringsdetaljer | 100 | 669 | 874 Luftkonditionering. 80868..... | 100 | 733 |
| 831 Dörr | 150 | 671 | 874 Kompressor för kylmedium R134a med monteringsdetaljer. 80813, 80868 | 150 | 735 |
| 837 Filterkåpa | 200 | 675 | 874 Kondensor för kylmedium R134a med monteringsdetaljer. | 200 | 737 |
| 841 Backspeglar | 100 | 677 | 874 Evaporator för kylmedium R134a med monteringsdetaljer. 80813, 80868, 82772 | 250 | 739 |
| 843 Rutor | 100 | 681 | 874 Montering av slangar: evaporator, torkare och kondensor. 80813, 80868 | 300 | 743 |
| 843 Skjutfönster..... | 150 | 683 | 874 Kompressor..... | 350 | 747 |
| 843 Fönster..... | 200 | 685 | 881 Instrumentpanel | 100 | 749 |
| 851 Isolermattor STD..... | 100 | 687 | 881 Instrumentpanel OPEN ROPS | 150 | 751 |
| 851 Isolermattor | 150 | 689 | 881 Radiokonsol. 80518, 80390, 82331, 82332 | 200 | 753 |

INNEHÅLLSFÖRTECKNING

| | |
|--------------------------------|---------------------|
| Catalogue id 20007 | Group 800 |
| Issue VOE 63D9920007 | Page 609 |

VOLVO

L90E

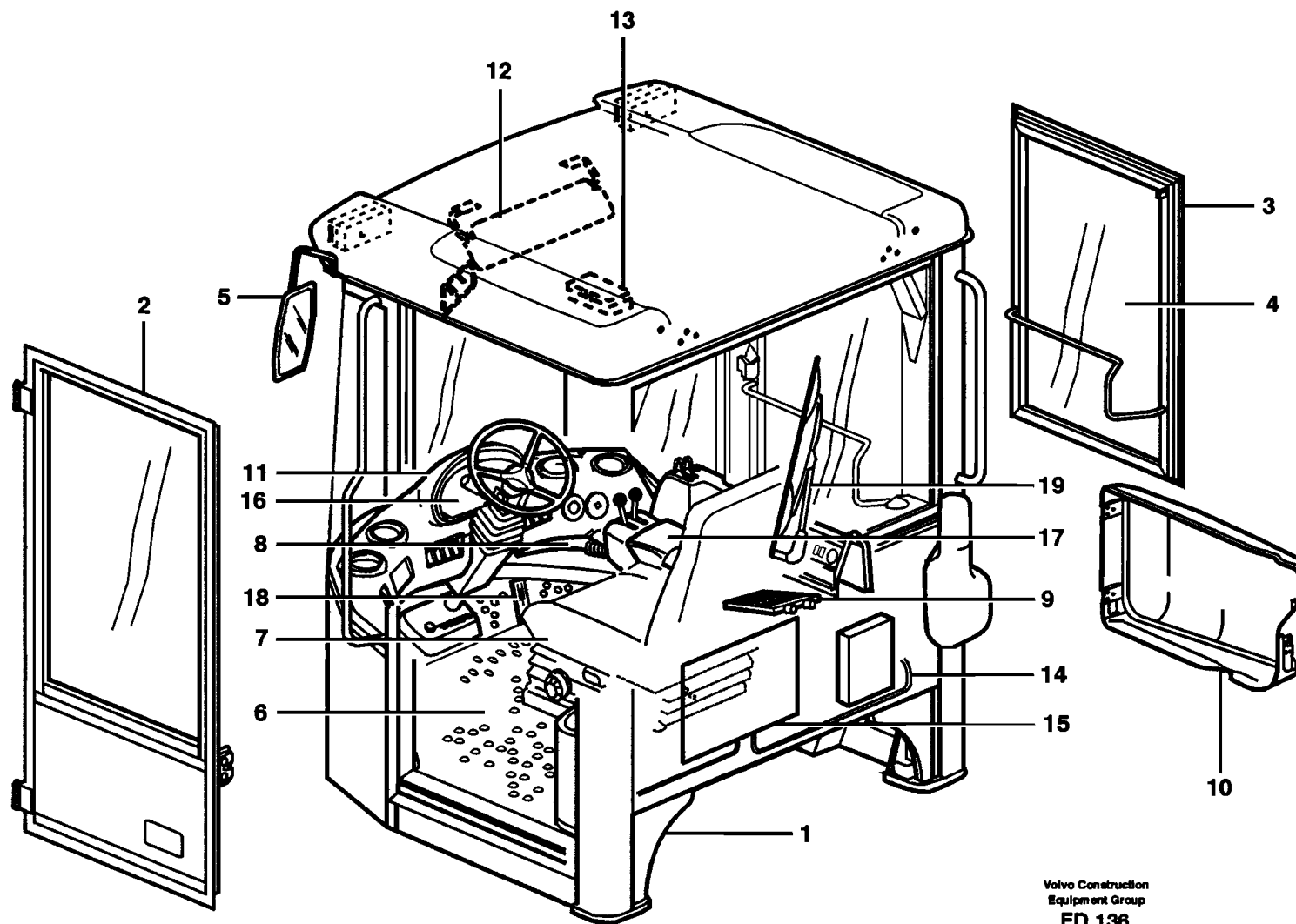
INNEHÅLLSFÖRTECKNING

| | |
|--------------------------------|---------------------|
| Catalogue id 20007 | Group 800 |
| Issue VOE 63D9920007 | Page 610 |

| GRUPP | Avsnitt | Sida | GRUPP | Avsnitt | Sida |
|-------|---|------|-------|---------|------|
| 882 | Inredningsdetaljer | 100 | | | 755 |
| 882 | Inredningsdetaljer, solskyddsgardiner. 80307, 80308 | 150 | | | 757 |
| 882 | Armstöd STD, OPEN ROPS | 200 | | | 759 |
| 882 | Kåpa för servoventil STD, OPEN ROPS..... | 300 | | | 761 |
| 882 | CDC - styrning, plåtdetaljer. 80929..... | 500 | | | 763 |
| 882 | Armstöd. 80929..... | 550 | | | 765 |
| 882 | Kåpa för servoventil 80930 | 600 | | | 769 |
| 896 | Verktogsåda 80800 | 100 | | | 773 |
| 896 | Verktyg 90007, 99183..... | 150 | | | 775 |
| 896 | Pump 93988..... | 200 | | | 777 |
| 897 | Skyltar och dekaler STD, OPEN ROPS | 100 | | | 779 |
| 897 | LGF - skylt..... | 150 | | | 781 |
| 897 | Illustration av skyltar och dekaler STD, OPEN ROPS | 300 | | | 783 |

VOLVO

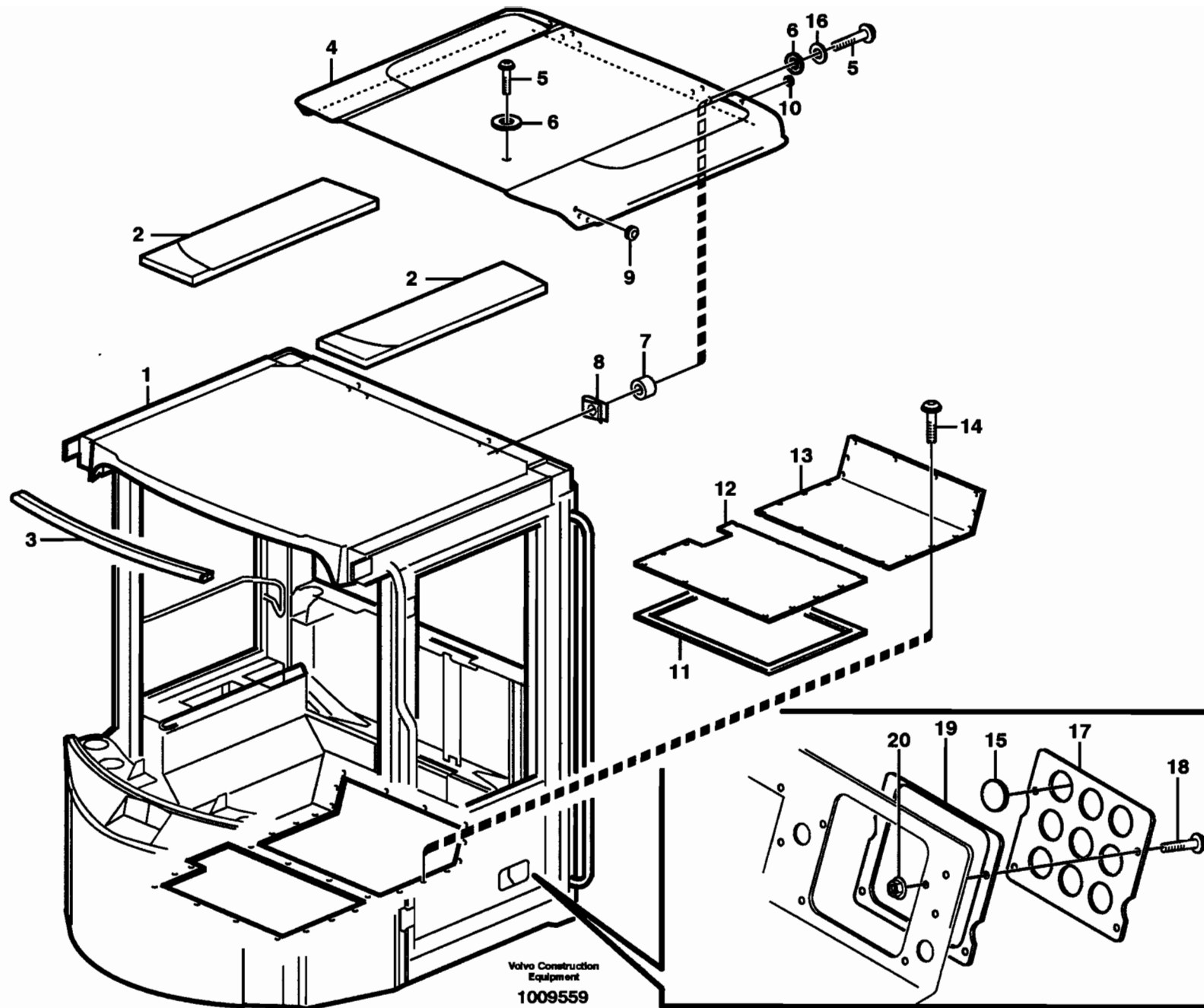
Construction Equipment



Volvo Construction
Equipment Group
ED 136

| Fig. | Part No. | Quantity | | | P S | K I T | Description | Dénomination | Bezeichnung | Denominación | Benämning | Notes |
|------|------------------|----------|---|---|--------|-------------------------|---------------------------|-------------------------|----------------------------|--------------------------|-------------------------|-------|
| | | 1 | 2 | 3 | | | | | | | | |
| | VOE 33277 | | | | | Cab | Cabine..... | Fahrerhaus..... | Cabina..... | Hytt..... | | |
| 1 | | 1 | | | NS | •Cab Framework | •Carcasse Cabine | •Fahrerhausgerippe..... | •Armazon Cabine | •Hyttstomme..... | See group 810, Page 615 | |
| 2 | | 1 | | | | ••Door..... | ••Porte | ••Tür | ••Puerta | ••Dörr..... | See group 831, Page 669 | |
| 3 | | 1 | | | | ••Window frame | ••Encadrement fenetr..... | ••Fensterrahmen | ••Marco ventana | ••Fönsterram..... | See group 843, Page 685 | |
| 4 | | 1 | | | | •Glass panes..... | •Vitres..... | •Fensterscheibe | •Ventanillas | •Rutor..... | See group 843, Page 681 | |
| 5 | | 1 | | | | •Rear view mirror | •Rétroviseur | •Rückspiegel | •Retrovisor..... | •Bacspieglar..... | See group 841, Page 677 | |
| 6 | | 1 | | | | •Insulating mats | •Tapis isolants..... | •Isoliermatten | •Alfombrillas | •Isolermattor..... | See group 851, Page 687 | |
| 7 | | 1 | | | | •Slide Rail | •Rail Guidage..... | •Gleitschiene | •Riel Deslizam..... | •Glidskena..... | See group 852, Page 691 | |
| 8 | | 1 | | | | •Air duct | •Canal air | •Luftkanal | •Canal aire..... | •Luftkanal..... | See group 872, Page 717 | |
| 9 | | 1 | | | | •Heating system..... | •Système du chauffag..... | •Heizsystem | •Sistema de calefacci..... | •Värmesystem..... | See group 873, Page 729 | |
| 10 | | 1 | | | | •Filter cover..... | •Couvercle de filtre..... | •Filterdeckel..... | •Tapa de filtro | •Filterkåpa..... | See group 837, Page 675 | |
| 11 | | 1 | | | | •Instr Panel | •Planche de bord..... | •Instr Tafel..... | •Panel Instrum..... | •Instrumentpanel..... | See group 881, Page 749 | |
| 12 | | 1 | | | | •Interior components.. | •Pièces d'amèneg..... | •Innenausstattung | •Detalles interiores | •Inredningsdetaljer..... | See group 882, Page 755 | |
| 13 | | 1 | | | | •Lighting,cab | •Eclairage,cabine | •Beleuchtung,fahrerh.. | •Alumbrado,cabina | •Belysning,hytt..... | See group 352, Page 177 | |
| 14 | | 1 | | | | •Cable harnesses, ca. | •Câble ruban, cabine.. | •Kabelbäum, fahrerh.. | •Haz, cabina | •Ledningsmatta, hytt.. | See group 371, Page 227 | |
| 15 | | 1 | | | | •El Distr Unit..... | •Centrale Elect | •Elektrozentrale | •Central Electr | •Elcentral..... | See group 372, Page 295 | |
| 16 | | 1 | | | | •Instruments..... | •Instruments | •Instrumente..... | •Instrumentos | •Instrumentering..... | See group 380, Page 351 | |
| 17 | | 1 | | | | •Arm rest | •Accoudoir..... | •Armlehne..... | •Reposabrazos..... | •Armstöd..... | See group 882, Page 759 | |
| 18 | | 1 | | | | •Throttle control..... | •Comm. accelerateur .. | •Gasregler | •Mando acelerado | •Gasreglage..... | See group 271, Page 141 | |
| 19 | | 1 | | | | •Windshield Wiper..... | •Lave glace | •Scheibenwischer..... | •Limpiaparabfisas..... | •Vindrutetorkare..... | See group 363, Page 193 | |
| | | 1 | | | | Operator's Seat..... | Siège Du Conducteur. | Fahrersitz | Asiento Del Conducto | Förarstol..... | See group 852, Page 691 | |

| | | | | |
|---|--|-------------|-----------------------|------------|
| 1 | | Hytt | Catalogue id | Group |
| 2 | | Cabina | 20007 | 810 |
| 3 | | Fahrerhaus | Illustr. No | Section |
| 4 | | Cabine | ED136 | 100 |
| 5 | | Drivers cab | Issue | Page |
| | | | VOE 63D9920007 | 613 |



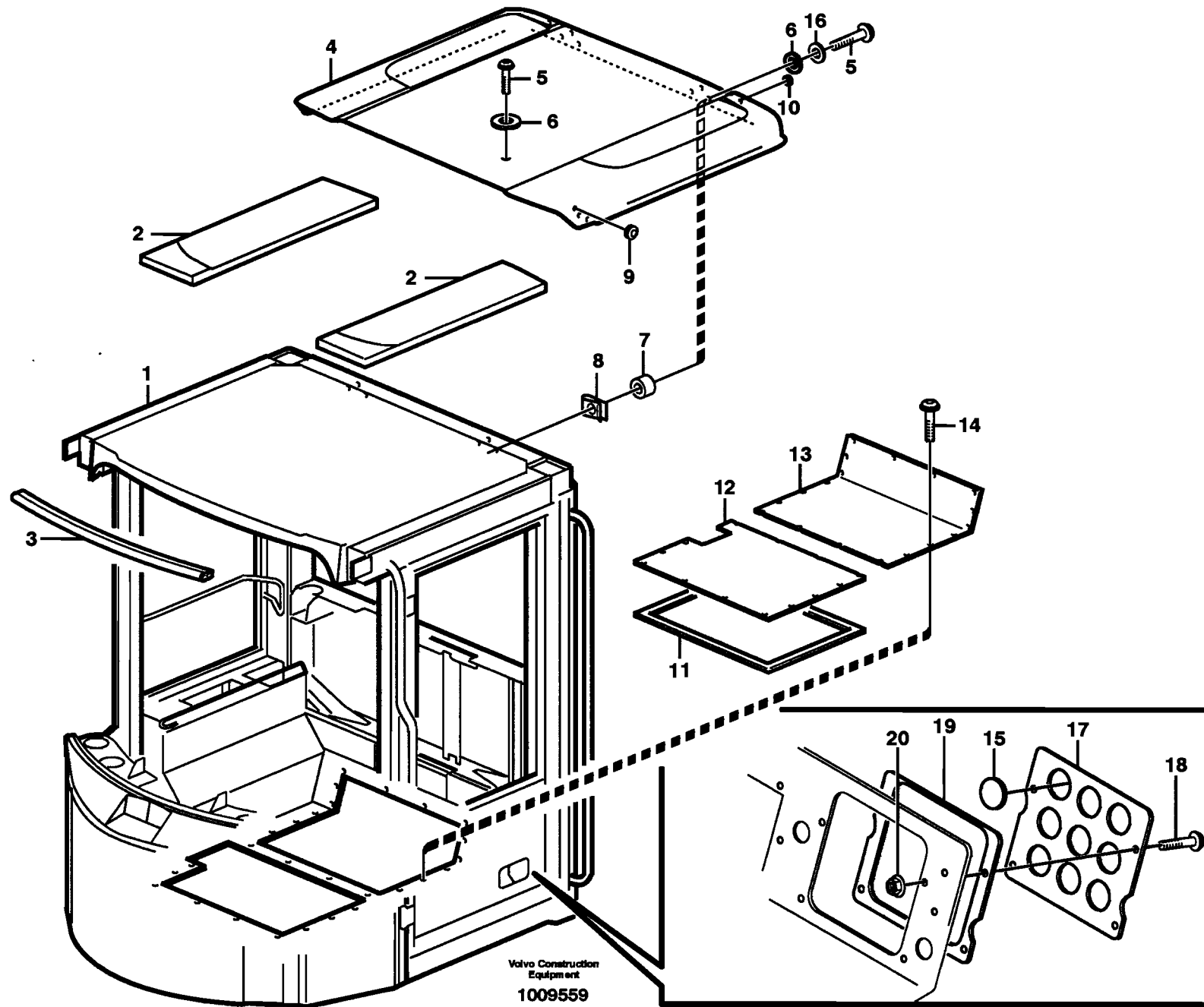
| Fig. | Part No. | Quantity | | | P S | K I T | Description | Dénomination | Bezeichnung | Denominación | Benämning | Notes |
|------|--------------|----------|---|---|--------|-------------|---------------------|--------------------------|-------------------------|--------------------------|--------------------|--|
| | | 1 | 2 | 3 | | | | | | | | |
| 1 | | 1 | | | | NS | Cab framework..... | Carcasse cabine | FH-Gerippe | Amazon cabina | Hyttstomme..... | |
| 2 | VOE 11164431 | 1 | | | | | Insulation..... | Isolant | Isolierung..... | Aislante | Isolering..... | |
| 3 | VOE 11104469 | REQ | | | | | Sealing strip | Lisse etancheite | Dichtleiste..... | Moldura reten | Tättningslist..... | L=1400MM, SER NO - 1049 |
| 4 | VOE 11006293 | 1 | | | | | Roof | Toit..... | Dach..... | Techo | Tak..... | 2013) |
| 5 | VOE 13945444 | 10 | | | | | Flange screw..... | Vis à bride | Flanschschraube..... | Torn embridado..... | Flänskruv..... | SER NO - 1049 |
| | VOE 13945444 | 6 | | | | | Flange screw..... | Vis à bride | Flanschschraube..... | Torn embridado..... | Flänskruv..... | SER NO 1050 - SER NO 70801 - BRAZIL |
| 6 | VOE 11104399 | 10 | | | | | Rubber Washer..... | Rondelle Caoutchouc..... | Gummischeibe | Arandela Goma | Gummibricka..... | SER NO - 1049 |
| | VOE 11104399 | 4 | | | | | Rubber Washer..... | Rondelle Caoutchouc..... | Gummischeibe | Arandela Goma | Gummibricka..... | SER NO 1050 - SER NO 70801 - BRAZIL |
| 7 | VOE 930428 | 8 | | | | | Spacer Ring | Bagu.entretoise..... | Abstandring | Anillo Dist | Distansring..... | SER NO - 1049 |
| | VOE 930428 | 4 | | | | | Spacer Ring | Bagu.entretoise..... | Abstandring | Anillo Dist | Distansring..... | SER NO 1050 - SER NO 70801 - BRAZIL |
| 8 | VOE 13949867 | 8 | | | | | Spring Nut..... | Ecrou Ressort | Fed. Schliessmutter ... | Tuerca Resorte | Fjädermutter..... | SER NO - 1049 |
| | VOE 13949867 | 2 | | | | | Spring Nut..... | Ecrou Ressort | Fed. Schliessmutter ... | Tuerca Resorte | Fjädermutter..... | SER NO 1050 - SER NO 70801 - BRAZIL |
| 9 | VOE 941268 | 2 | | | | | Plug..... | Bouchon..... | Stopfen..... | Tapon | Plugg..... | |
| | VOE 941267 | 4 | | | | | Plug..... | Bouchon..... | Stopfen..... | Tapon | Plugg..... | SER NO 1050 - SER NO 70801 - BRAZIL |
| 10 | VOE 11057786 | 2 | | | | | Plug..... | Bouchon..... | Stopfen..... | Tapon | Plugg..... | |
| 11 | VOE 11104947 | REQ | | | | | Sealing strip | Lisse etancheite | Dichtleiste..... | Moldura reten | Tättningslist..... | L=3100MM |
| 12 | | 1 | | | | NS | Floor Plate..... | Plancher..... | Bodenbelag | Plancha piso suelo | Durk..... | |
| 13 | | 1 | | | | NS | Floor Panel..... | Tole Plancher | Bodenblech | Plancha Piso | Golvplåt..... | |
| 14 | VOE 981208 | 12 | | | | | Screw | Vis | Schraube..... | Tornillo | Skruv..... | |
| 15 | VOE 11006971 | 5 | | | | | Plug..... | Bouchon..... | Stopfen..... | Tapon | Plugg..... | 38x10,3MM |
| 16 | VOE 13960141 | 10 | | | | | Washer..... | Rondelle | Scheibe | Arandela | Bricka..... | |
| 17 | VOE 11006159 | 1 | | | | | Hatch..... | Trappe..... | Luke | Trampilla | Lucka | |
| 18 | VOE 13946173 | 4 | | | | | Flange screw..... | Vis à bride | Flanschschraube..... | Torn embridado..... | Flänskruv..... | |
| 19 | VOE 11006162 | 1 | | | | | Gasket..... | Joint | Dichtung..... | Junta | Packning..... | |

2013) GB: Unpainted FR: Non peint DE: Ungestrichen ES: Sin pintar SE: Omålad

| | | | |
|---|---|-----------------------|------------|
| 1 | Hyttstomme: tak och golvplåt. Cuerpo de cabina: techo y plancha de piso. Fahrerhausgerippe: Dach und Bodenblech. Corps de cabine: toit et tôle plancher. Cab body: roof and floor panel. STD | Catalogue id | Group |
| 2 | | 20007 | 810 |
| 3 | | Illustr. No | Section |
| 4 | | 1009559 | 150 |
| 5 | | Issue | Page |
| | | VOE 63D9920007 | 615 |

VOLVO

L90E

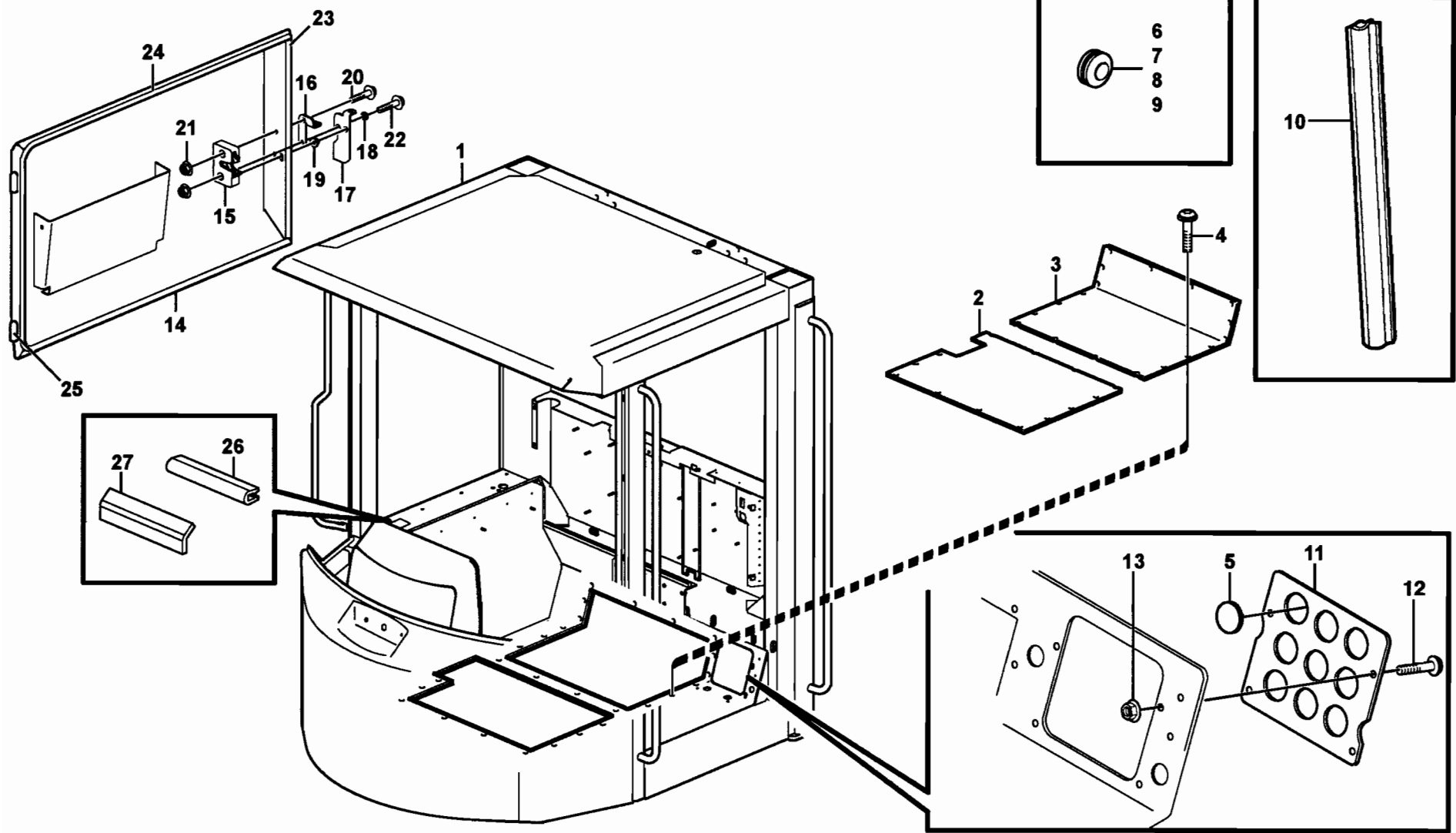


| Fig. | Part No. | Quantity | | | P S | K I T | Description | Dénomination | Bezeichnung | Denominación | Benämning | Notes |
|------|------------|----------|---|---|--------|-------------|----------------------|--------------------------|---------------------|----------------------|---------------------|-------|
| | | 1 | 2 | 3 | | | | | | | | |
| 20 | VOE 948645 | 4 | | | | | Flange Lock Nut..... | Contre écrou bride | Flanschmutter | Contratuer Embr..... | Flänslåsmutter..... | |

| | | | | |
|---|--|---|-----------------------|------------|
| 1 | | Hyttstomme: tak och golvplåt. Cuerpo de cabina: techo y plancha de piso. Fahrerhausgerippe: Dach und Bodenblech. Corps de cabine: toit et tôle plancher. Cab body: roof and floor panel. STD | Catalogue id | Group |
| 2 | | | 20007 | 810 |
| 3 | | | Illustr. No | Section |
| 4 | | | 1009559 | 150 |
| 5 | | | Issue | Page |
| | | | VOE 63D9920007 | 617 |

VOLVO

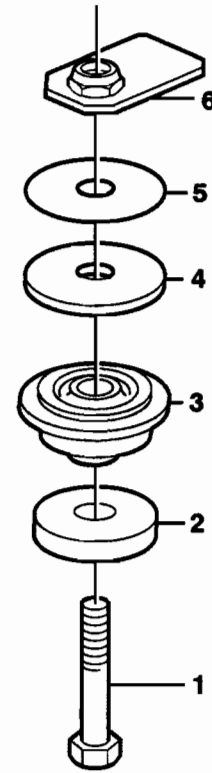
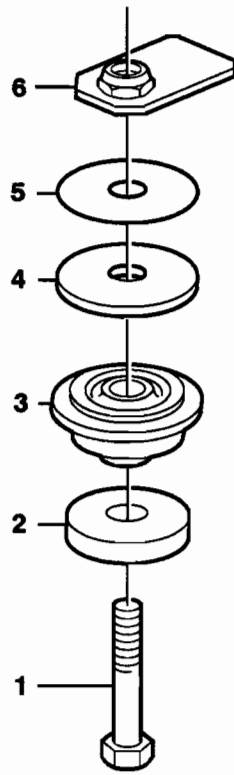
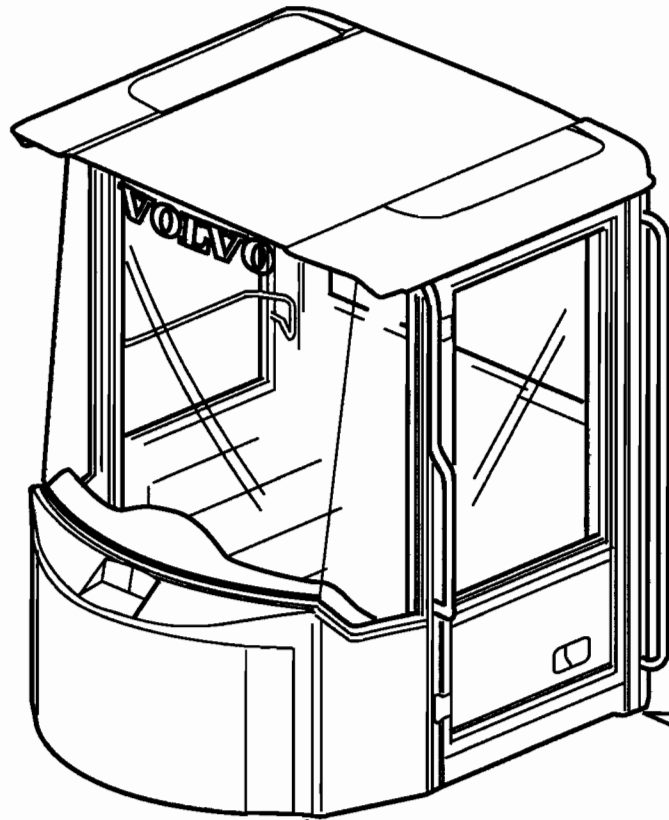
L90E



Valve Construction
 Equipment
 1016288

| Fig. | Part No. | Quantity | | | P S | K I T | Description | Dénomination | Bezeichnung | Denominación | Benämning | Notes |
|------|--------------|----------|---|---|--------|-------------|---------------------------|---------------------------|------------------------|--------------------------|----------------------|-----------|
| | | 1 | 2 | 3 | | | | | | | | |
| 1 | VOE 11164900 | 1 | | | | | Cab framework..... | Carcasse cabine | FH-Gerippe | Armazon cabina | Hyttstomme..... | |
| 2 | | 1 | | | NS | | Floor Plate..... | Plancher..... | Bodenbelag | Plancha piso suelo | Durk..... | |
| 3 | | 1 | | | NS | | Floor Panel..... | Tole Plancher..... | Bodenblech | Plancha Piso | Golvplåt..... | |
| 4 | VOE 981208 | 12 | | | | | Screw..... | Vis..... | Schraube..... | Tornillo | Skruv..... | |
| 5 | VOE 11006971 | 5 | | | | | Plug..... | Bouchon..... | Stopfen..... | Tapon | Plugg..... | |
| 6 | VOE 961970 | 2 | | | | | Plug..... | Bouchon..... | Stopfen..... | Tapon | Plugg..... | |
| 7 | VOE 941266 | 4 | | | | | Plug..... | Bouchon..... | Stopfen..... | Tapon | Plugg..... | |
| 8 | VOE 941268 | 1 | | | | | Plug..... | Bouchon..... | Stopfen..... | Tapon | Plugg..... | |
| 9 | VOE 7081803 | 1 | | | | | Rubber Button..... | Bouton Caoutchouc | Gummiknopf..... | Boton Goma | Gummiknapp..... | |
| 10 | VOE 4785436 | REQ | | | | | Protecting Moulding | Lisse Protection | Schonleiste..... | Moldura Proteccion | Skyddslist..... | |
| 11 | VOE 11006159 | 1 | | | | | Hatch..... | Trappe..... | Luke | Trampilla | Lucka | |
| 12 | VOE 13946173 | 4 | | | | | Flange screw..... | Vis à bride..... | Flanschschraube..... | Torn embridado..... | Flänsskruv..... | |
| 13 | VOE 948645 | 4 | | | | | Flange Lock Nut..... | Contre écrou bride | Flanschmutter | Contratuer Embr..... | Flänslåsmutter..... | |
| 14 | VOE 11164827 | 1 | | | | | Hatch..... | Trappe..... | Luke | Trampilla | Lucka | |
| 15 | VOE 11006991 | 1 | | | | | •Lock | •Serrure..... | •Schloss | •Cierre | •Lås..... | |
| 16 | VOE 11104610 | 1 | | | | | •Plate | •Tôle..... | •Blech | •Chapa | •Plåt..... | |
| 17 | VOE 11104609 | 1 | | | | | •Handle | •Poignee..... | •Drehgriff | •Mango | •Vred..... | |
| 18 | VOE 11006944 | 1 | | | | | •Spacer Sleeve | •Doui.entretoise..... | •Distanzhülse | •Manguito Dist..... | •Distanshylsa..... | |
| 19 | VOE 1258140 | 1 | | | | | •Sealing Sleeve..... | •Douille Etanche..... | •Dichthülse | •Manguito Reten..... | •Tätningshylsa..... | |
| 20 | VOE 13947760 | 1 | | | | | •Flange screw | •Vis à bride..... | •Flanschschraube..... | •Torn embridado..... | •Flänsskruv..... | |
| 21 | VOE 948645 | 2 | | | | | •Flange Lock Nut | •Contre écrou bride | •Flanschmutter | •Contratuer Embr | •Flänslåsmutter..... | |
| 22 | VOE 13965179 | 1 | | | | | •Flange screw | •Vis à bride..... | •Flanschschraube..... | •Torn embridado..... | •Flänsskruv..... | |
| 23 | VOE 4786044 | REQ | | | | | •Sealing strip..... | •Lisse etancheite | •Dichtleiste | •Moldura reten..... | •Tätningslist..... | |
| 24 | VOE 4881207 | REQ | | | | | •Sealing Strip | •Ruban Etanche | •Dichtstreifen..... | •Cinta Reten | •Tätningsband..... | |
| 25 | VOE 4936925 | 2 | | | | | •Weld Hinge | •Charnier.soudee | •Anschweisscharn | •Bisagra Soldada..... | •Svetsgångjärn..... | |
| 26 | VOE 11006785 | REQ | | | | | Framework moulding . | Baguette claire-voie ... | Kubelstange | Moldura armadura | Skeletlist..... | L = 80 MM |
| 27 | VOE 4932353 | REQ | | | | | Rubber Moulding..... | Joint Caoutchouc | Gummileiste | Liston Goma | Gummilist..... | L = 80 MM |

| | | | | |
|---|--|---|-----------------------|------------|
| 1 | | Hyttstomme: tak och golvplåt. Cuerpo de cabina: techo y plancha de piso. Fahrerhausgerippe: Dach und Bodenblech. Corps de cabine: toit et tôle plancher. Cab body: roof and floor panel. OPEN ROPS | Catalogue id | Group |
| 2 | | | 20007 | 810 |
| 3 | | | Illustr. No | Section |
| 4 | | | 1016288 | 200 |
| 5 | | | Issue | Page |
| | | | VOE 63D9920007 | 619 |



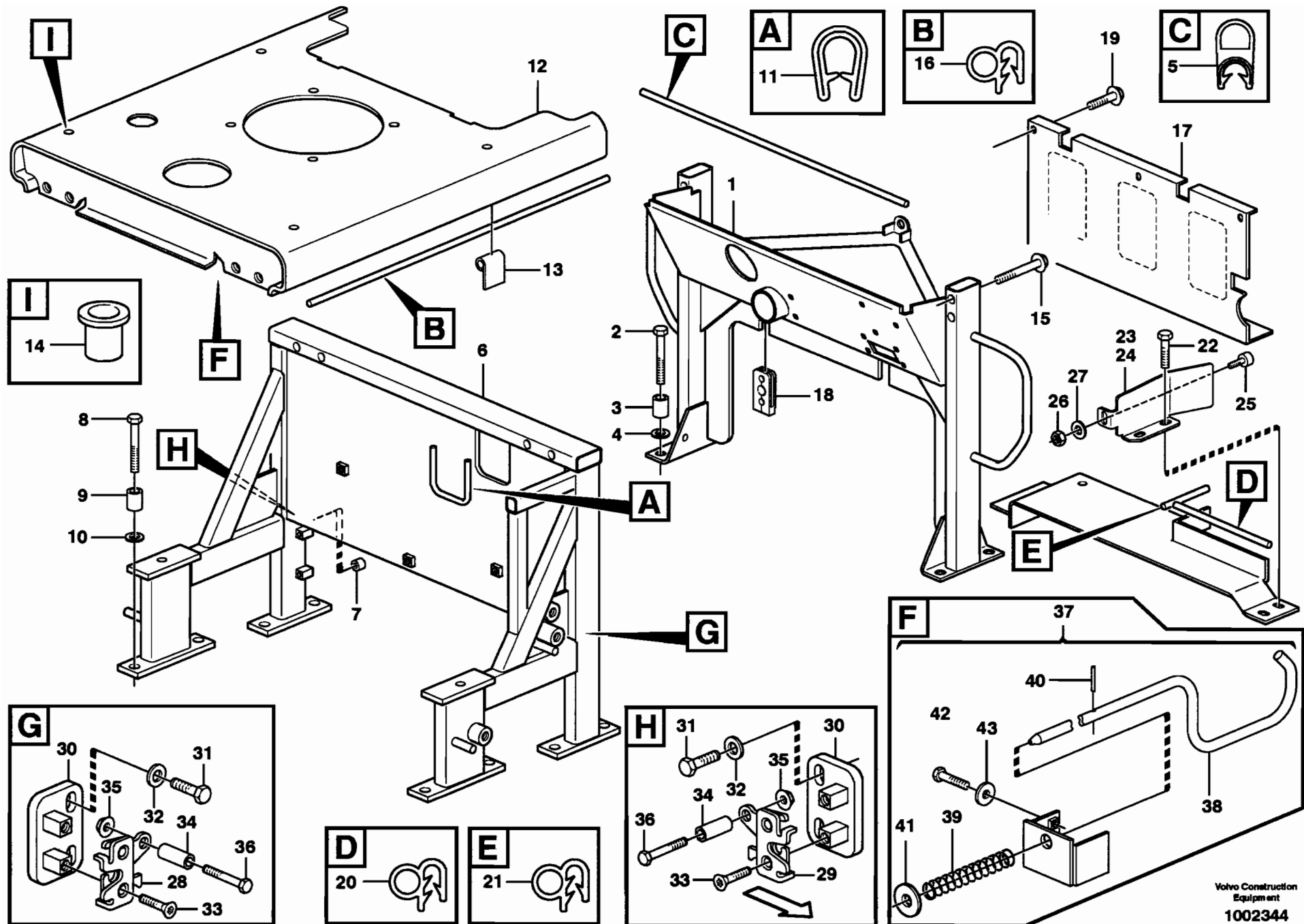
Volvo Construction
Equipment
1005914

| Fig. | Part No. | Quantity | | | P S | K T | Description | Dénomination | Bezeichnung | Denominación | Benämning | Notes |
|------|--------------|----------|---|---|--------|--------|---------------------|-----------------------|-----------------------|----------------------|--------------------|-------|
| | | 1 | 2 | 3 | | | | | | | | |
| 1 | VOE 13963364 | 4 | | | | | Hexagon screw | Vis a tête hexagonale | Sechskantschr..... | Tornillo hexago..... | Sexkantsskruv..... | |
| 2 | VOE 11005939 | 4 | | | | | Washer..... | Rondelle..... | Scheibe..... | Arandela..... | Bricka..... | |
| 3 | VOE 11006889 | 4 | | | | | Rubber cushion..... | Coussin caoutc. | Gummikissen | Cojin goma | Gummikudde..... | |
| 4 | VOE 11005938 | 4 | | | | | Washer..... | Rondelle..... | Scheibe..... | Arandela..... | Bricka..... | |
| 5 | VOE 11025671 | 2 | | | | | Shim..... | Cale Reglage | Nachstellblech..... | Cuna de calzar | Justerbleck..... | |
| 6 | VOE 948836 | 2 | | | | | Lock nut | Contre-ecrou | Sicherungsmutter..... | Contratuerca | Låsmutter..... | |
| | VOE 11006414 | 2 | | | | | Nut Retainer..... | Retenue Ecrou | Muttersicherung | Reten Tuerca | Mutterhållare..... | |

| | | | |
|---|---|----------------|------------|
| 1 | Förrarhytt, upphängning Cabina, suspension Fahrerhaus, aufhängung Cabina du conducteur, suspension Driver's cab, mounting block STD, OPEN ROPS | Catalogue id | Group |
| 2 | | 20007 | 818 |
| 3 | | Illustr. No | Section |
| 4 | | 1005914 | 100 |
| 5 | | Issue | Page |
| | | VOE 63D9920007 | 621 |

VOLVO

L90E

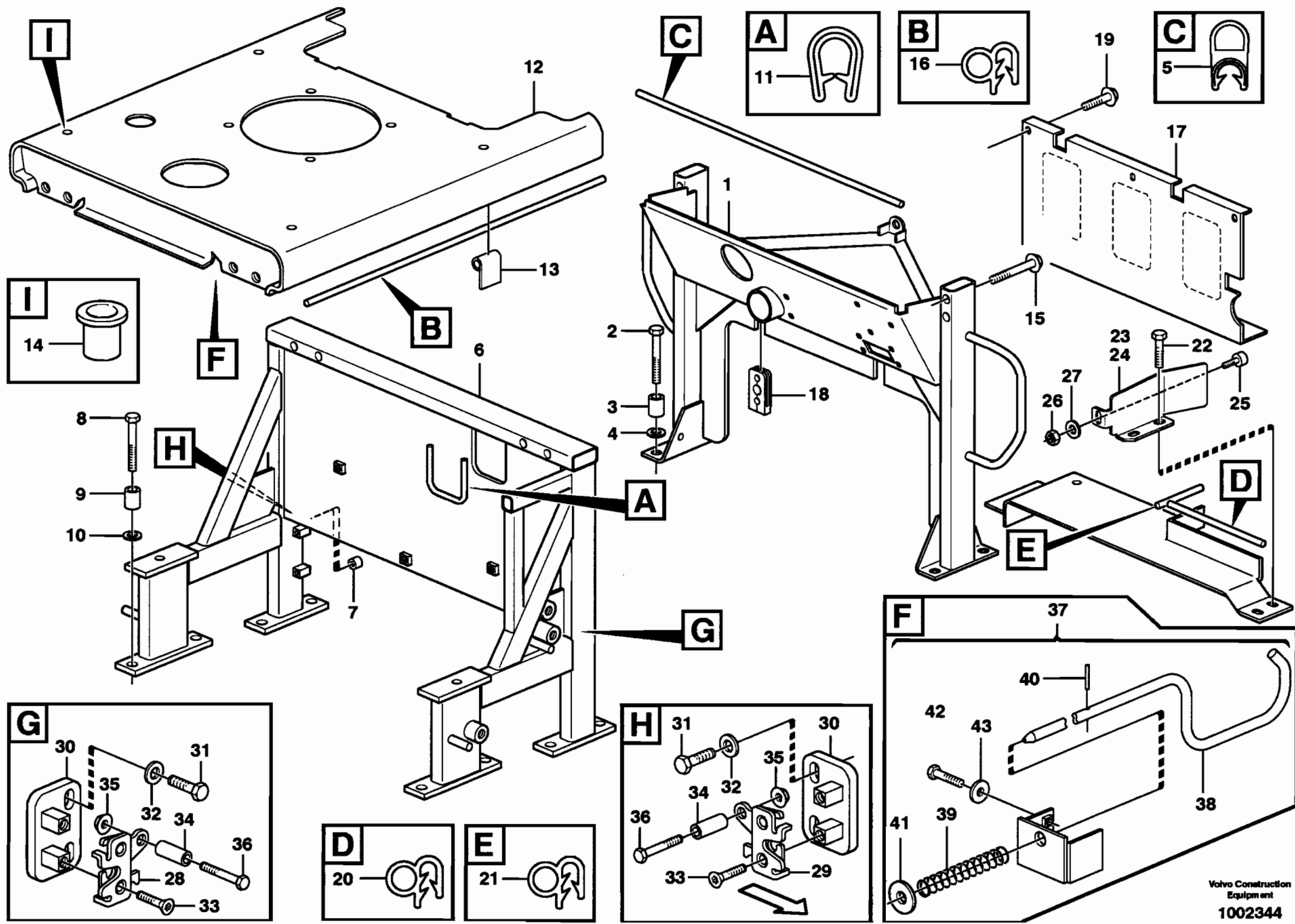


| Fig. | Part No. | Quantity | | | P S | K I T | Description | Dénomination | Bezeichnung | Denominación | Benämning | Notes |
|------|--------------|----------|---|---|--------|-------------|----------------------|--------------------------|-----------------------|------------------------|---------------------|--|
| | | 1 | 2 | 3 | | | | | | | | |
| 1 | VOE 11400891 | 1 | | | | | Support | Bati | Stativ | Base | Stativ | (VOE 11400417) S/N - 20004 |
| | VOE 11413300 | 1 | | | | | Support | Bati | Stativ | Base | Stativ | S/N 20005 - 21078 S/N 66001 - 66536 USA S/N 70801 - 70909 BRAZIL |
| | VOE 11413935 | 1 | | | | | Support | Support | Stütze | Apoyo | Stöd | S/N 21079 - S/N 66537 - USA S/N 70910 - BRAZIL |
| 2 | VOE 13965193 | 4 | | | | | Screw | Vis | Schraube | Tornillo | Skruv | |
| 3 | VOE 4861316 | 4 | | | | | Spacer Ring | Bagu.entretoise | Abstandring | Anillo Dist | Distansring | |
| 4 | VOE 13960145 | 4 | | | | | Washer | Rondelle | Scheibe | Arandela | Bricka | |
| 5 | VOE 4786044 | REQ | | | | | Sealing strip | Lisse etancheite | Dichtleiste | Moldura reten | Tättningslist | L = 815 MM |
| 6 | VOE 11413733 | 1 | | | | | Support | Support | Stütze | Apoyo | Stöd | |
| 7 | VOE 4753600 | 2 | | | | | ••Set Ring | ••Butee | ••Halbscheibe | ••Anillo Montaje | ••Kuts | |
| 8 | VOE 13965194 | 8 | | | | | Flange screw | Vis à bride | Flanschschraube | Torn embridado | Flänsskruv | |
| 9 | VOE 4861316 | 8 | | | | | Spacer Ring | Bagu.entretoise | Abstandring | Anillo Dist | Distansring | |
| 10 | VOE 13960145 | 8 | | | | | Washer | Rondelle | Scheibe | Arandela | Bricka | |
| 11 | VOE 4786031 | REQ | | | | | Framework moulding . | Baguette claire-voie ... | Kubelstange | Moldura armadura | Skelettlst | L = 300 MM |
| 12 | VOE 11174676 | 1 | | | | | Top Plate | Tole Superieure | Deckblech | Placa Superior | Överplåt | S/N - 21157, - 66712 USA , - 70949 BRA |
| | VOE 11413932 | 1 | | | | | Top Plate | Tole Superieure | Deckblech | Placa Superior | Överplåt | 82546 S/N 20529 - 21157, - 66712 USA, - 70949 BRA |
| | VOE 11414167 | 1 | | | | | Top Plate | Tole Superieure | Deckblech | Placa Superior | Överplåt | 82546 S/N 21158 - S/N 66713 - USA S/N 70950 - BRA |
| | VOE 11413256 | 1 | | | | | Top Plate | Tole Superieure | Deckblech | Placa Superior | Överplåt | S/N 21158 - S/N 66713 - USA S/N 70950 - BRA |
| 13 | VOE 11133079 | 4 | | | | | •Hinge | •Charniere | •Scharnier | •Bisagra | •Gångjärn | |
| 14 | VOE 14344147 | 4 | | | | | Plug | Bouchon | Stopfen | Tapon | Plugg | |

| | | | | |
|---|--|----------------------------|-----------------------|------------|
| 1 | | Motorlucka | Catalogue id | Group |
| 2 | | Tapa del motor | 20007 | 821 |
| 3 | | Motorklappe | Illustr. No | Section |
| 4 | | Porte visite moteur | 1002344 | 100 |
| 5 | | Engine cover | Issue | Page |
| | | STD, OPEN ROPS | VOE 63D9920007 | 623 |

VOLVO

L90E

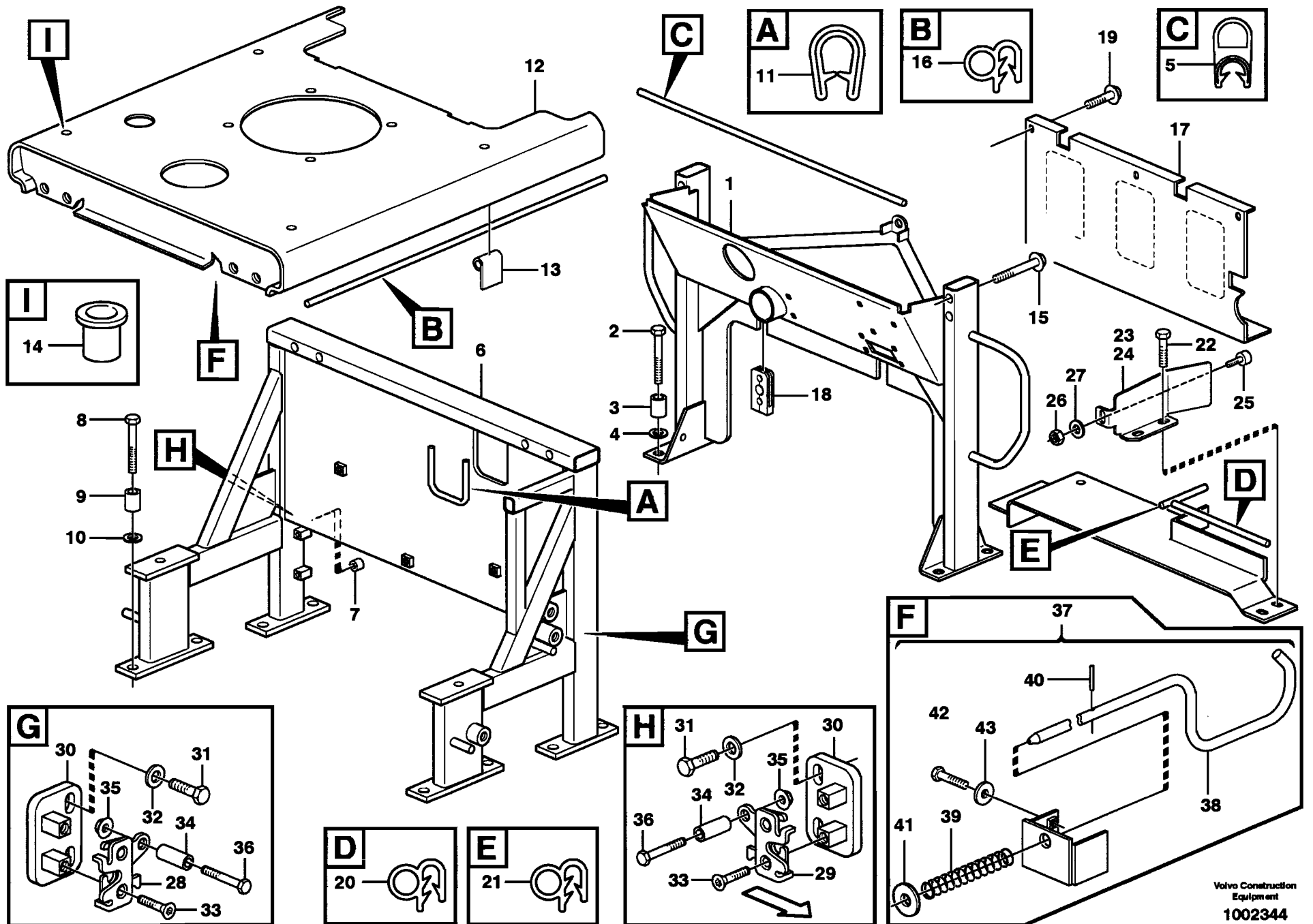


| Fig. | Part No. | Quantity | | | P S | K T | Description | Dénomination | Bezeichnung | Denominación | Benämning | Notes |
|------|--------------|----------|---|---|--------|---------------------|-----------------------|---------------------|---------------------|--------------------|--|-------|
| | | 1 | 2 | 3 | | | | | | | | |
| 15 | VOE 13965197 | 4 | | | | Flange screw..... | Vis a bride | Flanschschaube..... | Torn embridado..... | Flänsskruv..... | | |
| | VOE 13955897 | 4 | | | | Washer..... | Rondelle..... | Scheibe..... | Arandela..... | Bricka..... | | |
| 16 | VOE 4766526 | REQ | | | | Sealing strip..... | Lisse etancheite..... | Dichtleiste..... | Moldura reten..... | Tätninglist..... | L = 885 MM | |
| 17 | VOE 11400549 | 1 | | | | Hatch..... | Trappe..... | Luke..... | Trampilla..... | Lucka..... | | |
| 18 | VOE 11174917 | 3 | | | | Rubber Bushing..... | Bagu.caoutchouc..... | Gummibuchse..... | Buje Goma..... | Gummibussning..... | | |
| 19 | VOE 946440 | 5 | | | | Flange screw..... | Vis à bride | Flanschschaube..... | Torn embridado..... | Flänsskruv..... | S/N - 20004 | |
| | VOE 946440 | 7 | | | | Flange screw..... | Vis à bride | Flanschschaube..... | Torn embridado..... | Flänsskruv..... | S/N 20005 - S/N 66001 - USA S/N 70801 - BRAZIL | |
| 20 | VOE 4766526 | REQ | | | | Sealing strip..... | Lisse etancheite..... | Dichtleiste..... | Moldura reten..... | Tätninglist..... | L = 330 MM, S/N - 20004 | |
| | VOE 4766526 | REQ | | | | Sealing strip..... | Lisse etancheite..... | Dichtleiste..... | Moldura reten..... | Tätninglist..... | L = 360MM,S/N 20005 - S/N 66001 - USA S/N 70801 - BRAZIL | |
| 21 | VOE 4766526 | REQ | | | | Sealing strip..... | Lisse etancheite..... | Dichtleiste..... | Moldura reten..... | Tätninglist..... | L = 112 MM, S/N - 20004 | |
| | VOE 4766526 | REQ | | | | Sealing strip..... | Lisse etancheite..... | Dichtleiste..... | Moldura reten..... | Tätninglist..... | L = 120MM,S/N 20005 - S/N 66001 - USA S/N 70801 - BRAZIL | |
| 22 | VOE 13946173 | 4 | | | | Flange screw..... | Vis à bride | Flanschschaube..... | Torn embridado..... | Flänsskruv..... | | |
| 23 | VOE 11175912 | 1 | | | | Guide..... | Guide..... | Führung..... | Guia..... | Styrning..... | RH | |
| 24 | VOE 11175915 | 1 | | | | Guide..... | Rail..... | Führung..... | Guia..... | Gejd..... | LH | |
| 25 | VOE 14341605 | 2 | | | | Stop, Shoulder..... | Butee..... | Gegenhalter..... | Tope..... | Anhåll..... | | |
| 26 | VOE 13945407 | 2 | | | | Nut..... | Ecrou..... | Mutter..... | Tuerca..... | Mutter..... | | |
| 27 | VOE 960139 | 2 | | | | Washer..... | Rondelle..... | Scheibe..... | Arandela..... | Bricka..... | | |
| 28 | VOE 11175891 | 2 | | | | Lock..... | Serrure..... | Schloss..... | Cierre..... | Lås..... | RH | |
| 29 | VOE 11175892 | 2 | | | | Lock..... | Serrure..... | Schloss..... | Cierre..... | Lås..... | LH | |
| 30 | VOE 11175468 | 4 | | | | Plate..... | Plaque..... | Platte..... | Placa..... | Platta..... | | |
| 31 | VOE 13947760 | 8 | | | | Flange screw..... | Vis à bride | Flanschschaube..... | Torn embridado..... | Flänsskruv..... | | |
| 32 | VOE 13960141 | 8 | | | | Washer..... | Rondelle..... | Scheibe..... | Arandela..... | Bricka..... | (VOE 976944) | |
| 33 | VOE 969846 | 8 | | | | Screw..... | Vis..... | Schraube..... | Tornillo..... | Skruv..... | | |
| 34 | VOE 13975547 | 4 | | | | Spacer Sleeve..... | Doui.entretoise..... | Distanzhülse..... | Manguito Dist..... | Distanshylsa..... | | |

| | | | | |
|---|--|----------------------------|-----------------------|------------|
| 1 | | Motorlucka | Catalogue id | Group |
| 2 | | Tapa del motor | 20007 | 821 |
| 3 | | Motorklappe | Illustr. No | Section |
| 4 | | Porte visite moteur | 1002344 | 100 |
| 5 | | Engine cover | Issue | Page |
| | | STD, OPEN ROPS | VOE 63D9920007 | 625 |

VOLVO

L90E

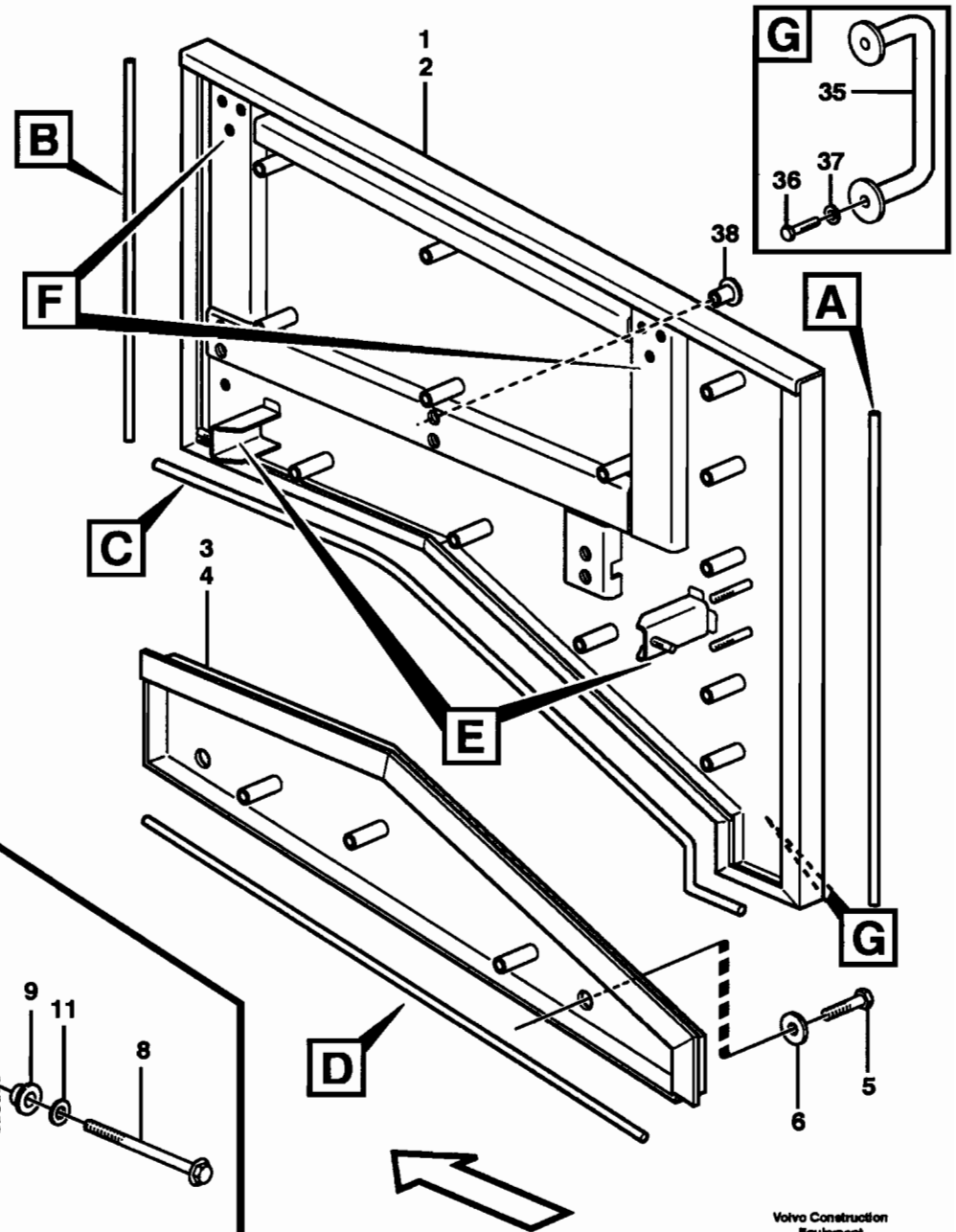
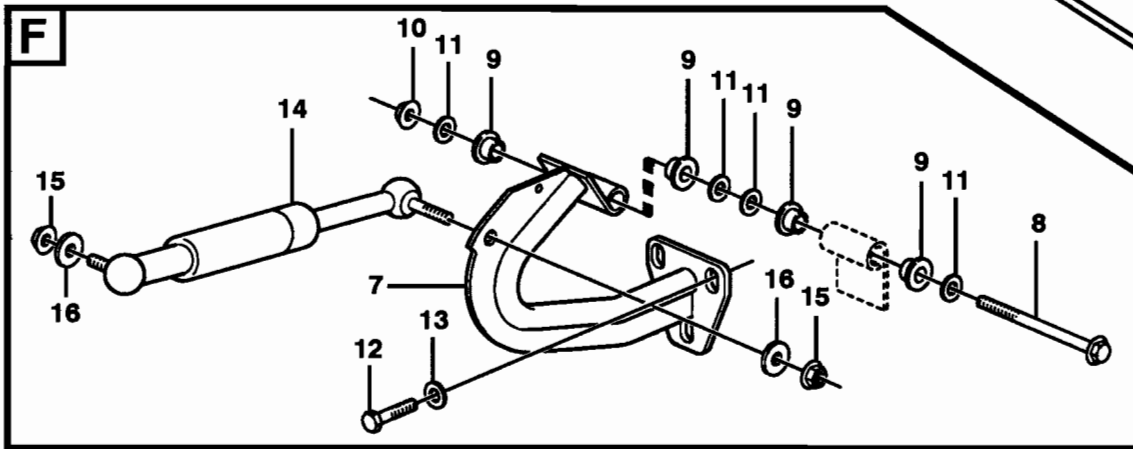
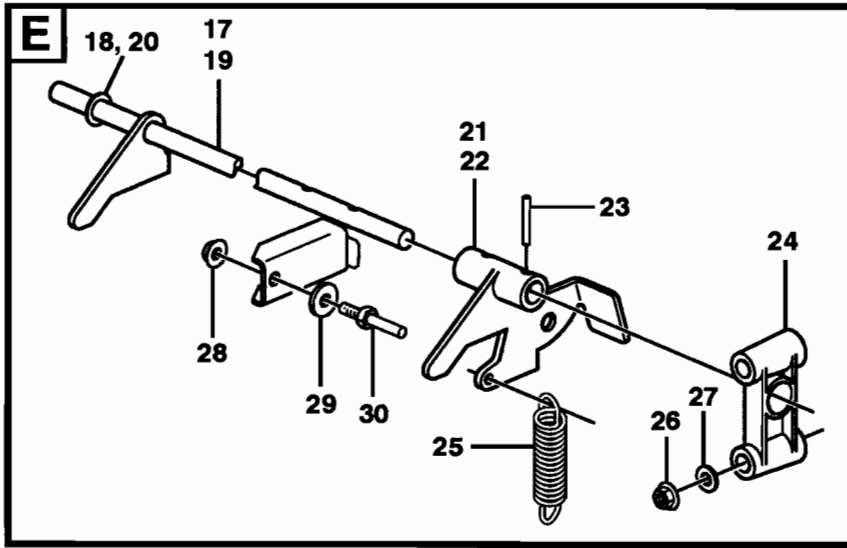
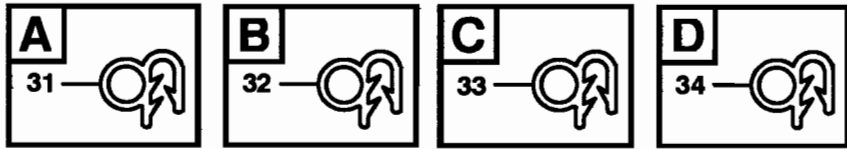


| Fig. | Part No. | Quantity | | | P S | K T | Description | Dénomination | Bezeichnung | Denominación | Benämning | Notes |
|------|--------------|----------|---|---|--------|--------|----------------------|--------------------------|----------------------|------------------------|---------------------|--------------------------|
| | | 1 | 2 | 3 | | | | | | | | |
| 35 | VOE 13949278 | 4 | | | | | Flange Lock Nut..... | Contre écrou bride | Flanschmutter | Contratuer Embr..... | Flänslåsmutter..... | |
| 36 | VOE 13965176 | 4 | | | | | Flange screw..... | Vis à bride | Flanschschraube..... | Torn embridado..... | Flänsskruv..... | |
| 37 | VOE 11175920 | 1 | | | | | Lock Handle..... | Poignee Verrou..... | Schliessgriff..... | Manilla..... | Låshandtag..... | S/N - 20004 |
| 38 | VOE 11400015 | 1 | | | | | •Handle | •Poignee..... | •Handgriff | •Manilla..... | •Handgrepp..... | S/N - 20004 |
| 39 | VOE 11174871 | 1 | | | | | •Thrust spring..... | •Ressort de compres.. | •Druckfeder | •Resorte de presión... | •Tryckfjäder..... | S/N - 20004 |
| 40 | VOE 951952 | 1 | | | | | •Spring Pin | •Axe de ressort..... | •Federstift..... | •Pasador Resorte | •Fjäderpinne..... | S/N - 20004 |
| 41 | VOE 13960141 | 1 | | | | | •Washer | •Rondelle..... | •Scheibe | •Arandela..... | •Bricka..... | (VOE 976944) S/N - 20004 |
| 42 | VOE 13946544 | 2 | | | | | Flange screw..... | Vis à bride | Flanschschraube..... | Torn embridado..... | Flänsskruv..... | S/N - 20004 |
| 43 | VOE 960139 | 2 | | | | | Washer..... | Rondelle | Scheibe | Arandela..... | Bricka..... | S/N - 20004 |

| | | | | |
|---|--|----------------------------|----------------|------------|
| 1 | | Motorlucka | Catalogue id | Group |
| 2 | | Tapa del motor | 20007 | 821 |
| 3 | | Motorklappe | Illustr. No | Section |
| 4 | | Porte visite moteur | 1002344 | 100 |
| 5 | | Engine cover | Issue | Page |
| | | STD, OPEN ROPS | VOE 63D9920007 | 627 |

VOLVO

L90E

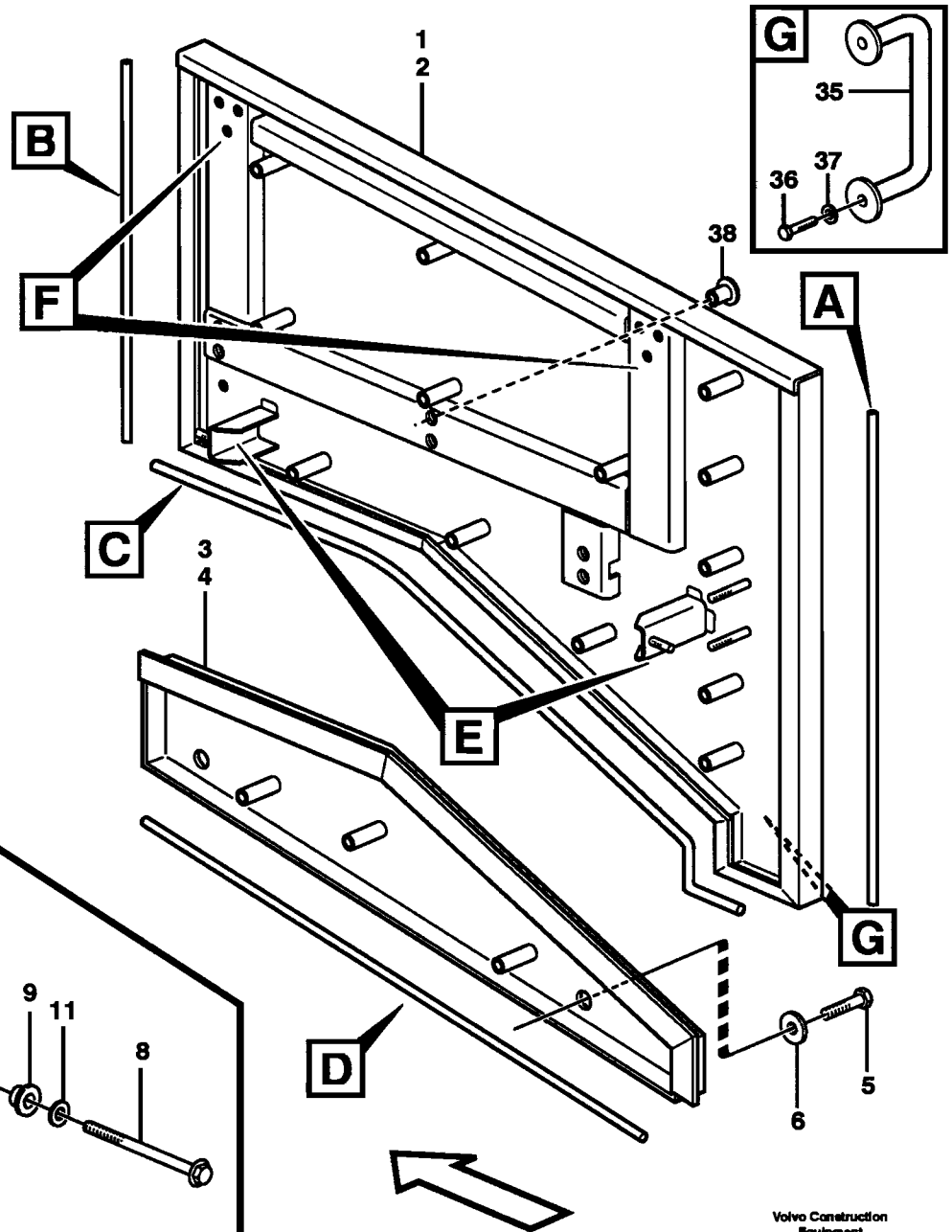
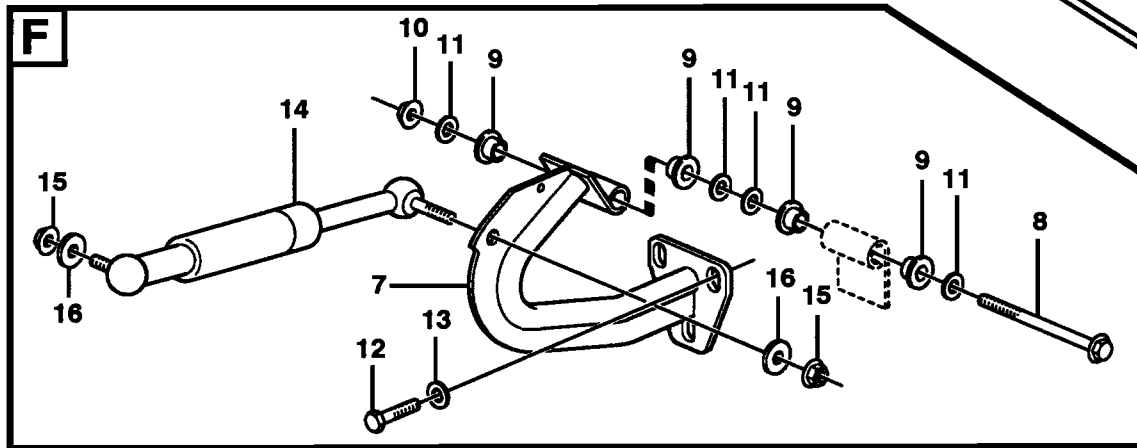
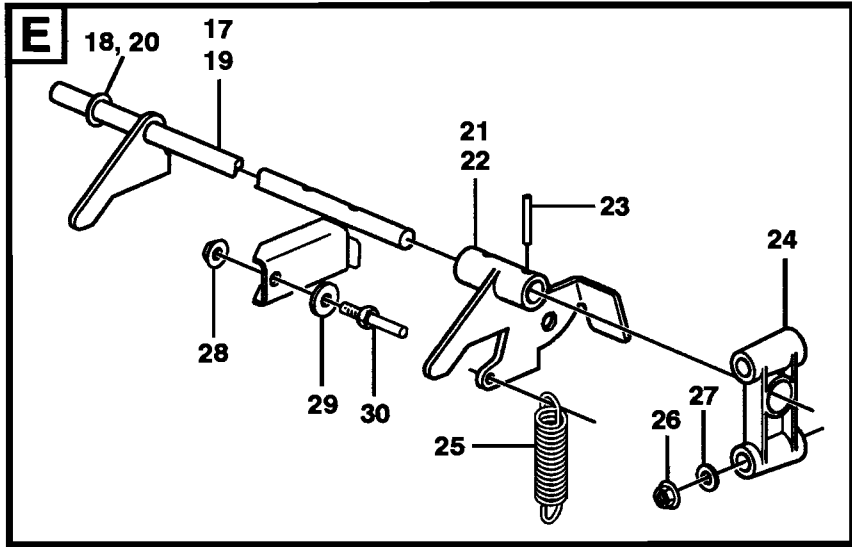
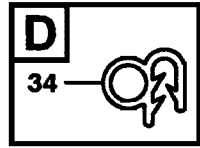
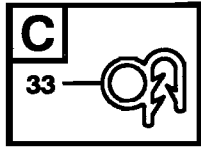
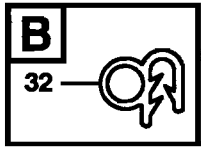
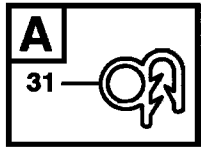


| Fig. | Part No. | Quantity | | | P S | K I T | Description | Dénomination | Bezeichnung | Denominación | Benämning | Notes |
|------|--------------|----------|---|---|--------|-----------------|---------------------|-----------------|-----------------|----------------|----------------|-------|
| | | 1 | 2 | 3 | | | | | | | | |
| 1 | VOE 11174689 | 1 | | | | Side Hatch | Porte Laterale | Seitenklappe | Tapa Lateral | Sidolucka | RH | |
| 2 | VOE 11174690 | 1 | | | | Side Hatch | Porte Laterale | Seitenklappe | Tapa Lateral | Sidolucka | LH | |
| 3 | VOE 11175875 | 1 | | | | Side Plate | Tole Laterale | Seitenwandblech | Placa Lateral | Sidoplåt | RH | |
| 4 | VOE 11175876 | 1 | | | | Side Plate | Tole Laterale | Seitenwandblech | Placa Lateral | Sidoplåt | LH | |
| 5 | VOE 965225 | 4 | | | | Flange screw | Vis à bride | Flanschschraube | Torn embridado | Flänsskruv | | |
| 6 | VOE 13960145 | 4 | | | | Washer | Rondelle | Scheibe | Arandela | Bricka | | |
| 7 | VOE 11174208 | 4 | | | | Hinge | Charniere | Scharnier | Bisagra | Gångjärn | | |
| 8 | VOE 979934 | 4 | | | | Flange screw | Vis à bride | Flanschschraube | Torn embridado | Flänsskruv | | |
| 9 | VOE 1588548 | 16 | | | | Bushing | Bague | Buchse | Casquillo | Bussning | | |
| 10 | VOE 971099 | 4 | | | | Flange Lock Nut | Contre écrou bride | Flanschmutter | Contratuer Embr | Flänslåsmutter | (VOE 13971099) | |
| 11 | VOE 13955897 | 12 | | | | Washer | Rondelle | Scheibe | Arandela | Bricka | | |
| 12 | VOE 13947760 | 12 | | | | Flange screw | Vis à bride | Flanschschraube | Torn embridado | Flänsskruv | | |
| 13 | VOE 13960141 | 12 | | | | Washer | Rondelle | Scheibe | Arandela | Bricka | | |
| 14 | VOE 11174325 | 4 | | | | Gas Spring | Ressort Gaz | Gasfeder | Resorte A Gas | Gasfjäder | | |
| 15 | VOE 13971098 | 8 | | | | Flange nut | Ecrou accouple | Bundmutter | Tuerca embridad | Flänsmutter | | |
| 16 | VOE 13960143 | 8 | | | | Washer | Rondelle | Scheibe | Arandela | Bricka | | |
| 17 | VOE 11413225 | 1 | | | | Lock Shaft | Axe Verrouilla | Sperrzapfen | Eje Bloqueo | Låsaxel | RH | |
| 18 | VOE 13955897 | 1 | | | | •Washer | •Rondelle | •Scheibe | •Arandela | •Bricka | | |
| 19 | VOE 11413226 | 1 | | | | Lock Shaft | Axe Verrouilla | Sperrzapfen | Eje Bloqueo | Låsaxel | LH | |
| 20 | VOE 13955897 | 1 | | | | •Washer | •Rondelle | •Scheibe | •Arandela | •Bricka | | |
| 21 | VOE 11413192 | 1 | | | | Handle | Poignee | Griff | Mango | Handtag | RH | |
| 22 | VOE 11413194 | 1 | | | | Handle | Poignee | Griff | Mango | Handtag | LH | |
| 23 | VOE 951955 | 4 | | | | Spring Pin | Axe de ressort | Federstift | Pasador Resorte | Fjäderpinne | | |
| 24 | VOE 11174317 | 4 | | | | Bearing Bracket | Porte-palier | Lagerbock | Soporte Cojin | Lagerbock | | |
| 25 | VOE 4742010 | 2 | | | | Tension Spring | Ressort de traction | Zugfeder | Muelle traccion | Dragfjäder | | |
| 26 | VOE 981447 | 8 | | | | Flange Lock Nut | Contre écrou bride | Flanschmutter | Contratuer Embr | Flänslåsmutter | | |
| 27 | VOE 960139 | 8 | | | | Washer | Rondelle | Scheibe | Arandela | Bricka | | |
| 28 | VOE 13971096 | 8 | | | | Flange nut | Ecrou accouple | Bundmutter | Tuerca embridad | Flänsmutter | | |
| 29 | VOE 13960145 | 8 | | | | Washer | Rondelle | Scheibe | Arandela | Bricka | | |
| 30 | VOE 11175472 | 4 | | | | Pin | Goupille | Stift | Pasador | Pinne | | |

| | | | | |
|---|--|---|-----------------------|------------|
| 1 | | Överplåt, sidoluckor, bakre Placa superior, placa lateral, trasero Deckblech, Seitenklappen, hintere Tole superieure, porte laterale, AR Top plate, side hatches, rear S/N 21157 -, 66712 - USA, 70949 - BRA | Catalogue id | Group |
| 2 | | | 20007 | 821 |
| 3 | | | Illustr. No | Section |
| 4 | | | 1009502 | 150 |
| 5 | | | Issue | Page |
| | | | VOE 63D9920007 | 629 |

VOLVO

L90E

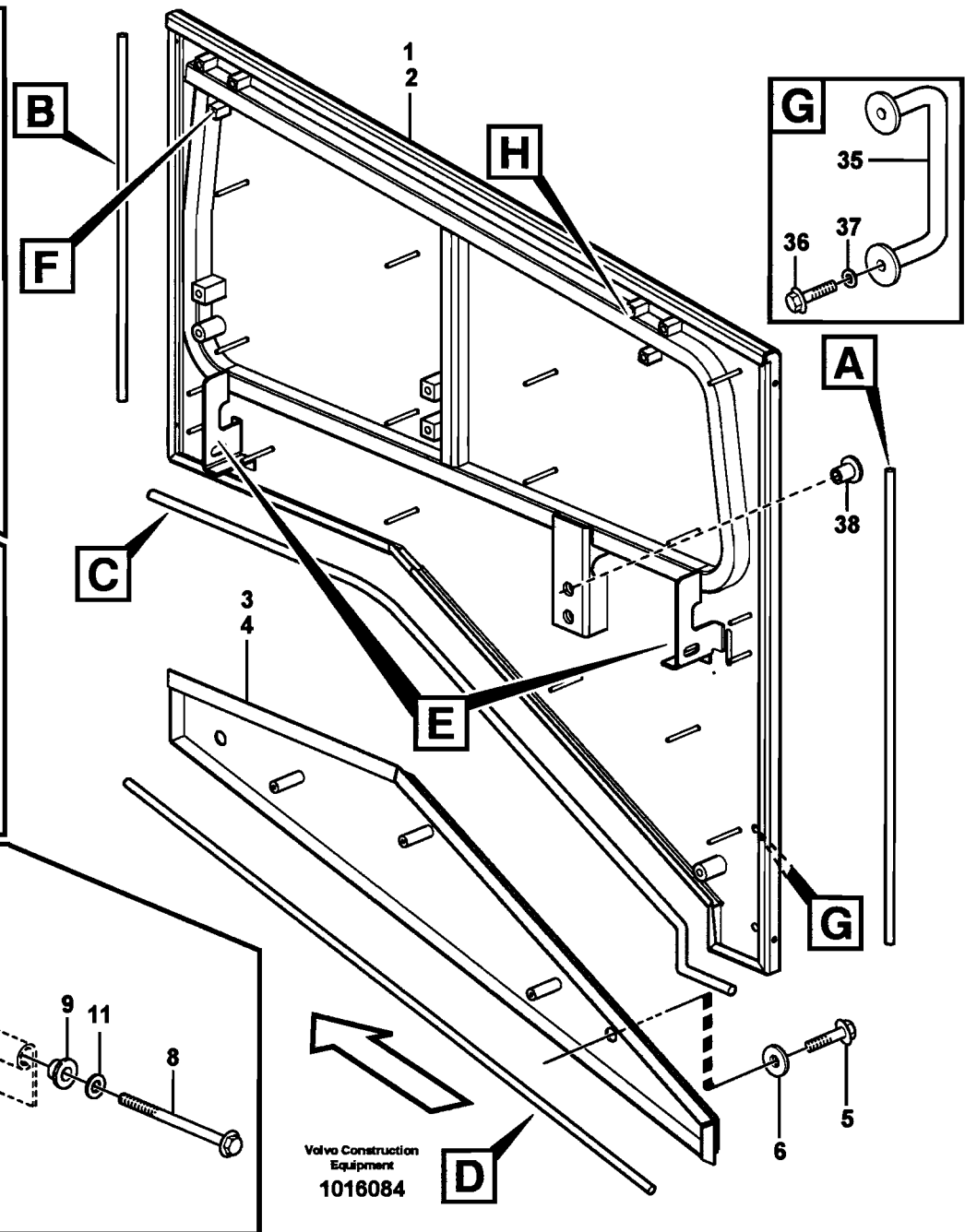
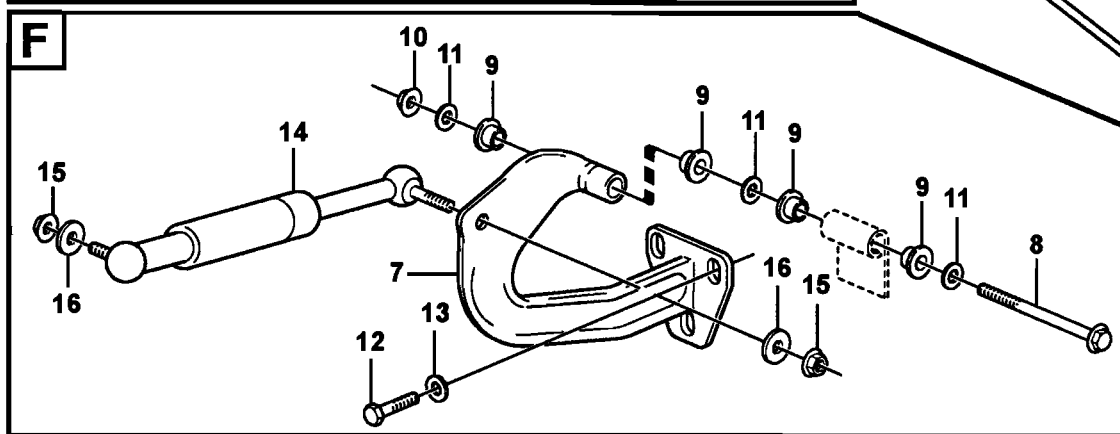
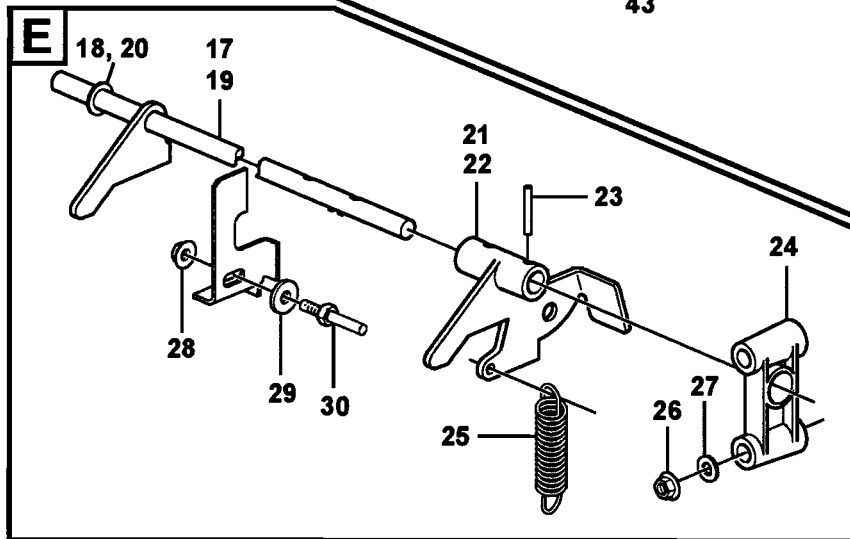
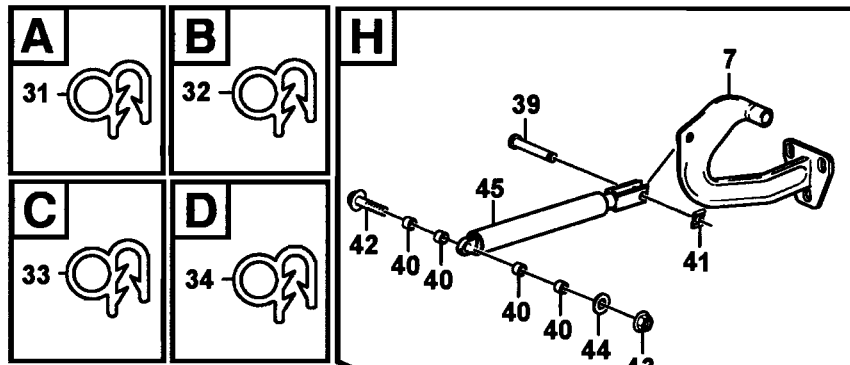


| Fig. | Part No. | Quantity | | | P S | K T | Description | Dénomination | Bezeichnung | Denominación | Benämning | Notes |
|------|--------------|----------|---|---|--------|--------|---------------------|------------------------|-----------------------|----------------------|-------------------|-----------------|
| | | 1 | 2 | 3 | | | | | | | | |
| 31 | VOE 4766526 | REQ | | | | | Sealing strip | Lisse etancheite | Dichtleiste | Moldura reten | Tätninglist | L = 655 MM x 2 |
| 32 | VOE 4766526 | REQ | | | | | Sealing strip | Lisse etancheite | Dichtleiste | Moldura reten | Tätninglist | L = 890 MM x 2 |
| 33 | VOE 4766526 | REQ | | | | | Sealing strip | Lisse etancheite | Dichtleiste | Moldura reten | Tätninglist | L = 1020 MM x 2 |
| 34 | VOE 4766526 | REQ | | | | | Sealing strip | Lisse etancheite | Dichtleiste | Moldura reten | Tätninglist | L = 1030 MM x 2 |
| 35 | VOE 11413175 | 2 | | | | | Handle | Poignee | Griff | Mango | Handtag | |
| 36 | VOE 946441 | 4 | | | | | Flange screw | Vis à bride | Flanschschraube | Torn embridado | Flänsskruv | |
| 37 | VOE 13960143 | 4 | | | | | Washer | Rondelle | Scheibe | Arandela | Bricka | |
| 38 | VOE 11413247 | 6 | | | | | Plug | Tampon | Stopfen | Tapon | Plugg | |

| | | | |
|---|---|----------------|------------|
| 1 | Överplåt, sidoluckor, bakre Placa superior, placa lateral, trasero Deckblech, Seitenklappen, hintere Tole superieure, porte laterale, AR Top plate, side hatches, rear S/N 21157 -, 66712 - USA, 70949 - BRA | Catalogue id | Group |
| 2 | | 20007 | 821 |
| 3 | | Illustr. No | Section |
| 4 | | 1009502 | 150 |
| 5 | | Issue | Page |
| | | VOE 63D9920007 | 631 |

VOLVO

L90E

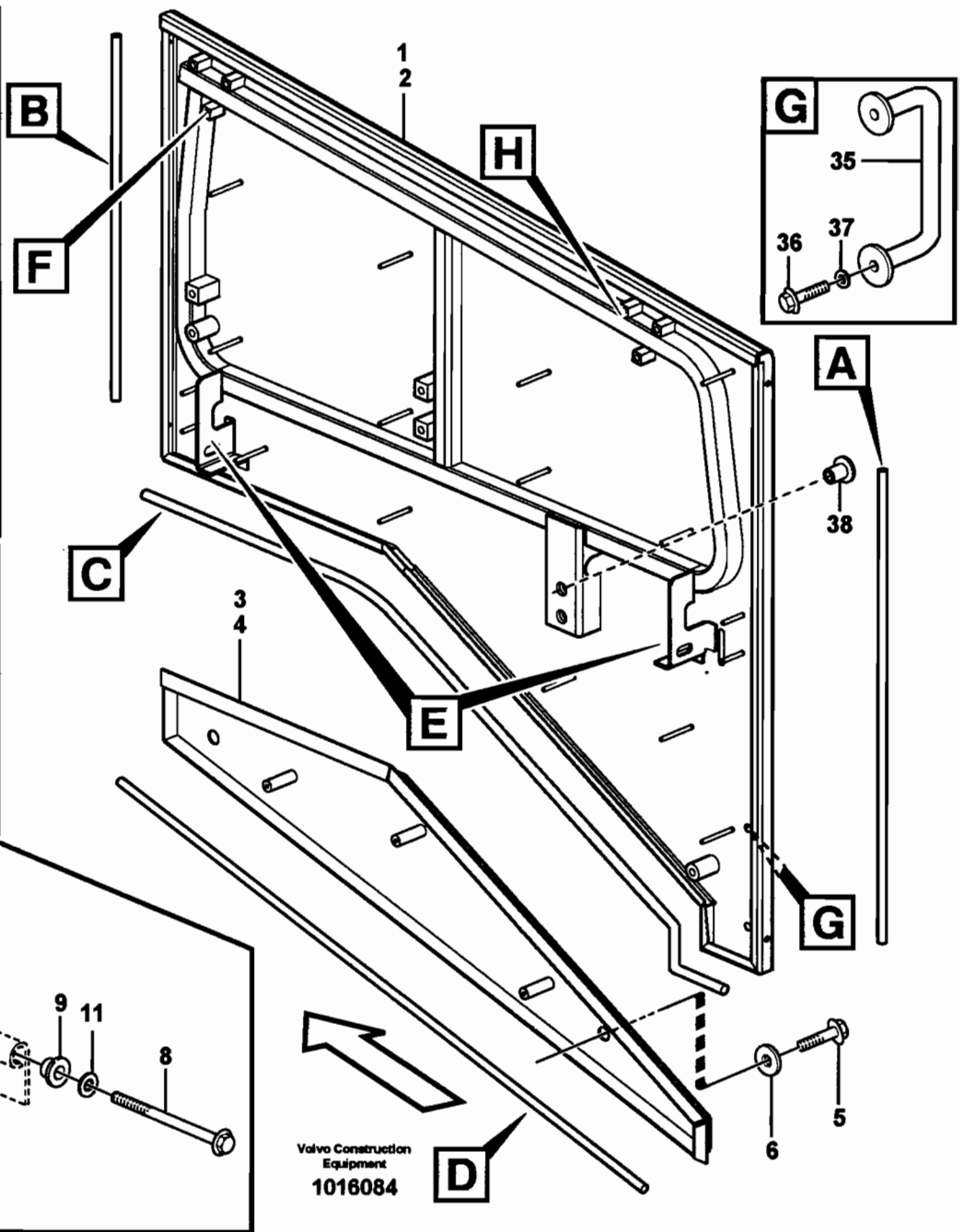
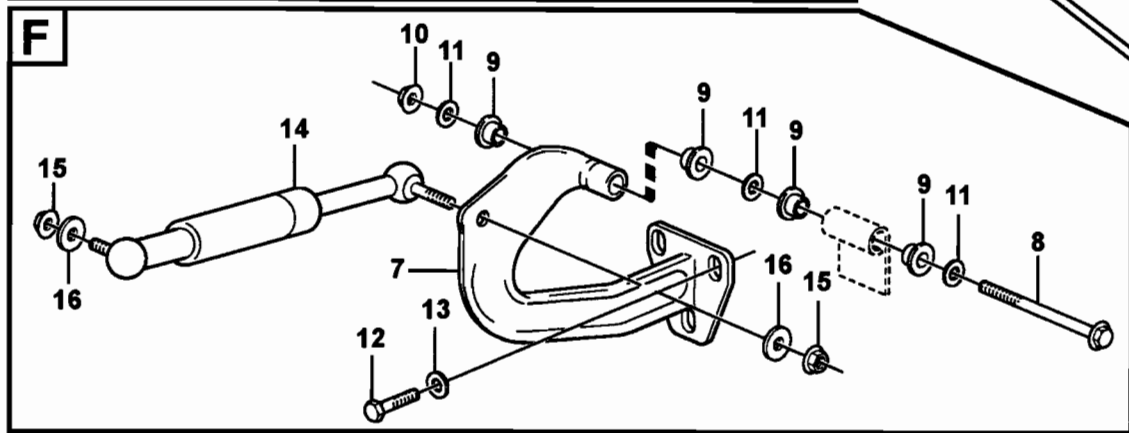
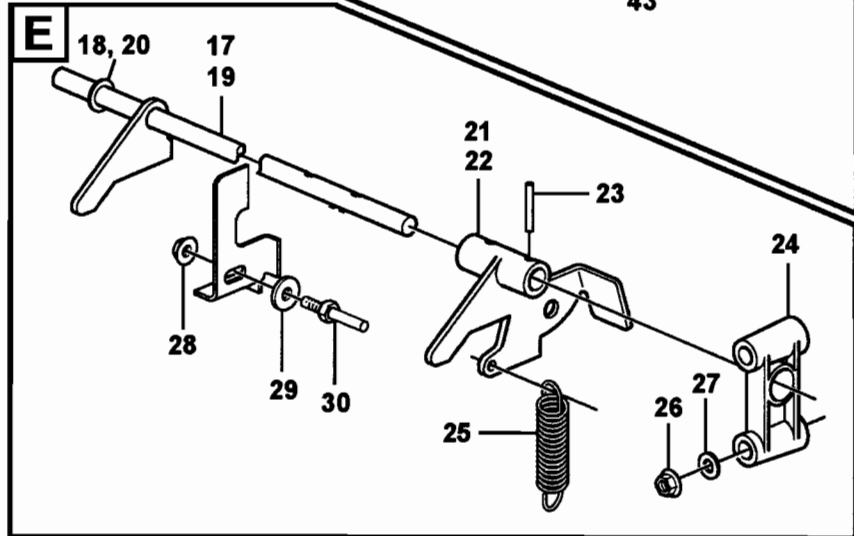
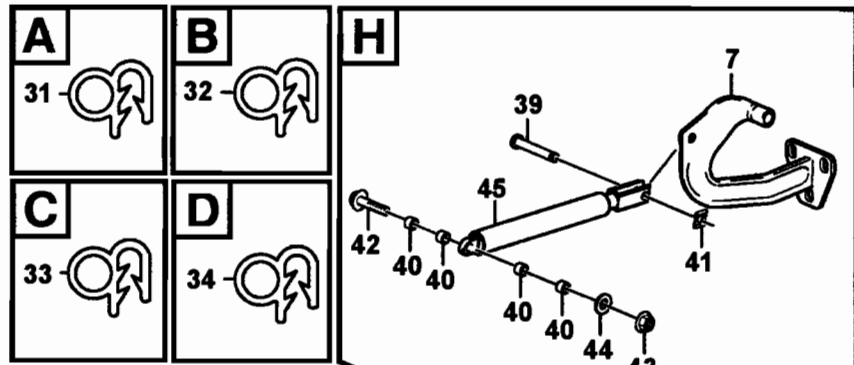


| Fig. | Part No. | Quantity | | | P S | K I T | Description | Dénomination | Bezeichnung | Denominación | Benämning | Notes |
|------|--------------|----------|---|---|--------|-----------------------|---------------------------|-----------------------|------------------------|----------------------|----------------|-------|
| | | 1 | 2 | 3 | | | | | | | | |
| 1 | VOE 11413815 | 1 | | | | Side Hatch | Porte Laterale | Seitenklappe | Tapa Lateral | Sidolucka | RH | |
| 2 | VOE 11413816 | 1 | | | | Side Hatch | Porte Laterale | Seitenklappe | Tapa Lateral | Sidolucka | LH | |
| 3 | VOE 11175875 | 1 | | | | Side Plate | Tole Laterale | Seitenwandblech | Placa Lateral | Sidoplåt | RH | |
| 4 | VOE 11175876 | 1 | | | | Side Plate | Tole Laterale | Seitenwandblech | Placa Lateral | Sidoplåt | LH | |
| 5 | VOE 965225 | 4 | | | | Flange screw | Vis à bride | Flanschschraube | Torn embridado | Flänsskruv | | |
| 6 | VOE 13960145 | 4 | | | | Washer | Rondelle | Scheibe | Arandela | Bricka | | |
| 7 | VOE 11400717 | 4 | | | | Hinge | Charniere | Scharnier | Bisagra | Gångjärn | | |
| 8 | VOE 13946474 | 4 | | | | Flange screw | Vis à bride | Flanschschraube | Torn embridado | Flänsskruv | | |
| 9 | VOE 1588548 | 16 | | | | Bushing | Bague | Buchse | Casquillo | Bussning | | |
| 10 | VOE 971099 | 4 | | | | Flange Lock Nut | Contre écrou bride | Flanschmutter | Contratuer Embr | Flänslåsmutter | (VOE 13971099) | |
| 11 | VOE 13955897 | 12 | | | | Washer | Rondelle | Scheibe | Arandela | Bricka | | |
| 12 | VOE 13947760 | 12 | | | | Flange screw | Vis à bride | Flanschschraube | Torn embridado | Flänsskruv | | |
| 13 | VOE 13960141 | 12 | | | | Washer | Rondelle | Scheibe | Arandela | Bricka | | |
| 14A | VOE 11174325 | 2 | | | | Gas Spring | Ressort Gaz | Gasfeder | Resorte A Gas | Gasfjäder | | |
| 14B | VOE 11413464 | 2 | | | | Gas Spring | Ressort Gaz | Gasfeder | Resorte A Gas | Gasfjäder | | |
| 15 | VOE 13971098 | 4 | | | | Flange nut | Ecrou accouple | Bundmutter | Tuerca embridada | Flänsmutter | | |
| 16 | VOE 13960143 | 4 | | | | Washer | Rondelle | Scheibe | Arandela | Bricka | | |
| 17 | VOE 11413867 | 1 | | | | Lock Shaft | Axe Verrouilla | Sperrzapfen | Eje Bloqueo | Låsaxel | RH | |
| 18 | VOE 13955897 | 1 | | | | •Washer | •Rondelle | •Scheibe | •Arandela | •Bricka | | |
| 19 | VOE 11413868 | 1 | | | | Lock Shaft | Axe Verrouilla | Sperrzapfen | Eje Bloqueo | Låsaxel | LH | |
| 20 | VOE 13955897 | 1 | | | | •Washer | •Rondelle | •Scheibe | •Arandela | •Bricka | | |
| 21 | VOE 11413863 | 1 | | | | Handle | Poignee | Handgriff | Manilla | Handgrepp | RH | |
| 22 | VOE 11413864 | 1 | | | | Handle | Poignee | Handgriff | Manilla | Handgrepp | LH | |
| 23 | VOE 951955 | 4 | | | | Spring Pin | Axe de ressort | Federstift | Pasador Resorte | Fjäderpinne | | |
| 24 | VOE 11174317 | 4 | | | | Bearing Bracket | Porte-palier | Lagerbock | Soporte Cojin | Lagerbock | | |
| 25 | VOE 4742010 | 2 | | | | Tension Spring | Ressort de traction | Zugfeder | Muelle traccion | Dragfjäder | | |
| 26 | VOE 981447 | 8 | | | | Flange Lock Nut | Contre écrou bride | Flanschmutter | Contratuer Embr | Flänslåsmutter | | |
| 27 | VOE 960139 | 8 | | | | Washer | Rondelle | Scheibe | Arandela | Bricka | | |
| 28 | VOE 13971096 | 8 | | | | Flange nut | Ecrou accouple | Bundmutter | Tuerca embridada | Flänsmutter | | |
| 29 | VOE 13960145 | 8 | | | | Washer | Rondelle | Scheibe | Arandela | Bricka | | |

| | | | | |
|---|--|--|----------------|---------|
| 1 | | Överplåt, sidoluckor, bakre | Catalogue id | Group |
| 2 | | Placa superior, placa lateral, trasero | 20007 | 821 |
| 3 | | Deckblech, Seitenklappen, hintere | Illustr. No | Section |
| 4 | | Tole superieure, porte laterale, AR | 1016084 | 160 |
| 5 | | Top plate, side hatches, rear | Issue | Page |
| | | S/N 21158 -, 66713 - USA, 70950 - BRA | VOE 63D9920007 | 633 |

VOLVO

L90E



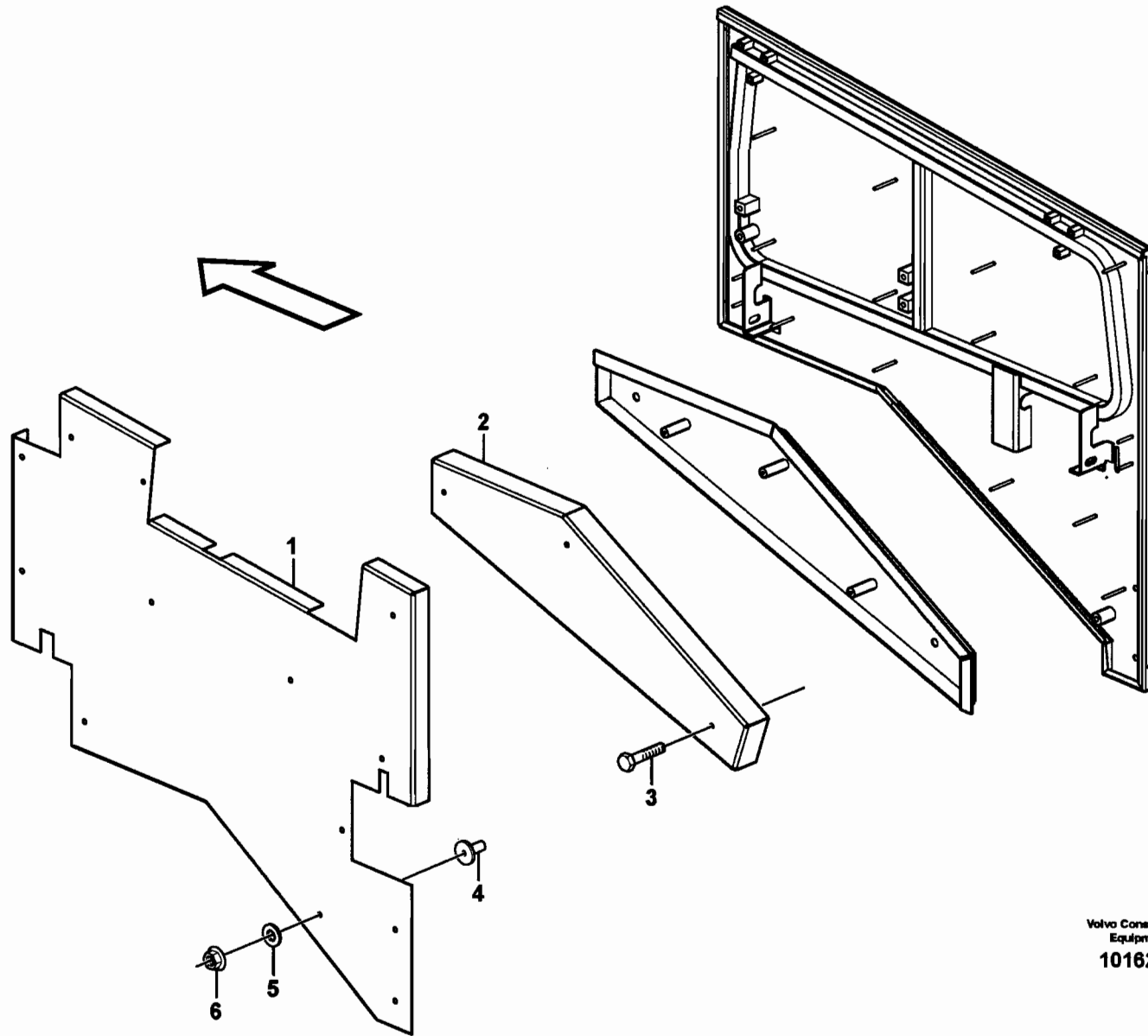
Volvo Construction
Equipment
1016084

| Fig. | Part No. | Quantity | | | P S | K I T | Description | Dénomination | Bezeichnung | Denominación | Benämning | Notes |
|------|--------------|----------|---|---|--------|---------------------|--------------------------|----------------------|----------------------|--------------------|-----------------|-------|
| | | 1 | 2 | 3 | | | | | | | | |
| 30 | VOE 11175472 | 4 | | | | Pin..... | Goupille..... | Stift..... | Pasador..... | Pinne..... | | |
| 31 | VOE 4766526 | REQ | | | | Sealing strip..... | Lisse etancheite..... | Dichtleiste..... | Moldura reten..... | Tättningslist..... | L = 655 MM x 2 | |
| 32 | VOE 4766526 | REQ | | | | Sealing strip..... | Lisse etancheite..... | Dichtleiste..... | Moldura reten..... | Tättningslist..... | L = 890 MM x 2 | |
| 33 | VOE 4766526 | REQ | | | | Sealing strip..... | Lisse etancheite..... | Dichtleiste..... | Moldura reten..... | Tättningslist..... | L = 1020 MM x 2 | |
| 34 | VOE 4766526 | REQ | | | | Sealing strip..... | Lisse etancheite..... | Dichtleiste..... | Moldura reten..... | Tättningslist..... | L = 1030 MM x 2 | |
| 35 | VOE 11413175 | 2 | | | | Handle..... | Poignee..... | Griff..... | Mango..... | Handtag..... | | |
| 36 | VOE 946441 | 4 | | | | Flange screw..... | Vis à bride..... | Flanschschraube..... | Torn embridado..... | Flänsskruv..... | | |
| 37 | VOE 13960143 | 4 | | | | Washer..... | Rondelle..... | Scheibe..... | Arandela..... | Bricka..... | | |
| 38 | VOE 11413247 | 6 | | | | Plug..... | Tampon..... | Stopfen..... | Tapon..... | Plugg..... | | |
| 39 | VOE 949755 | 2 | | | | Rtng Ring Bolt..... | Boulon Sill Bag..... | Sich.bolzen..... | Perno Circlip..... | Spärringsbult..... | | |
| 40 | VOE 11400462 | 8 | | | | Spacer Sleeve..... | Doui.entretoise..... | Distanzhülse..... | Manguito Dist..... | Distanshylsa..... | | |
| 41 | VOE 969159 | 4 | | | | Lock brace..... | Etrier de verrouillage.. | Sperklinke..... | Brazo Seguridad..... | Låsbygel..... | | |
| 42 | VOE 13965188 | 2 | | | | Flange screw..... | Vis à bride..... | Flanschschraube..... | Torn embridado..... | Flänsskruv..... | | |
| 43 | VOE 13971098 | 2 | | | | Flange nut..... | Ecrou accouple..... | Bundmutter..... | Tuerca embridad..... | Flänsmutter..... | | |
| 44 | VOE 13960143 | 4 | | | | Washer..... | Rondelle..... | Scheibe..... | Arandela..... | Bricka..... | | |

| | | | |
|---|---|-----------------------|------------|
| 1 | Överplåt, sidoluckor, bakre Placa superior, placa lateral, trasero Deckblech, Seitenklappen, hintere Tole superieure, porte laterale, AR Top plate, side hatches, rear S/N 21158 -, 66713 - USA, 70950 - BRA | Catalogue id | Group |
| 2 | | 20007 | 821 |
| 3 | | Illustr. No | Section |
| 4 | | 1016084 | 160 |
| 5 | | Issue | Page |
| | | VOE 63D9920007 | 635 |

VOLVO

L90E



Volvo Construction
Equipment
1016234

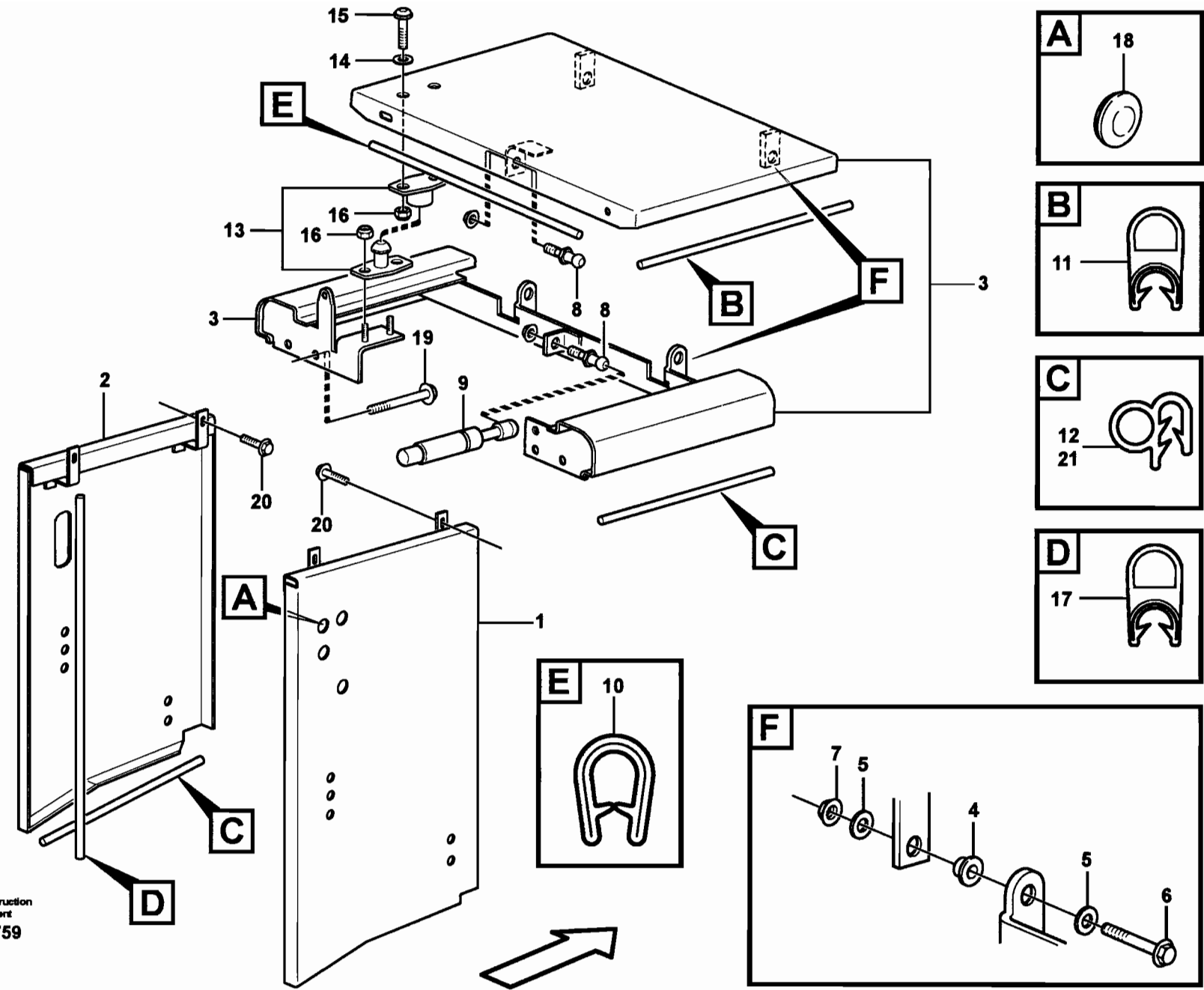
| Fig. | Part No. | Quantity | | | P S | K I T | Description | Dénomination | Bezeichnung | Denominación | Benämning | Notes |
|------|--------------|----------|---|---|--------|----------------------|-------------------------|-----------------------|----------------------|---------------------|-----------|-------|
| | | 1 | 2 | 3 | | | | | | | | |
| 1 | VOE 11414892 | 1 | | | | Sound Absorber | Insonorisant | Schalldämmstoff..... | Insonorizante..... | Ljudabsorbent..... | RH | |
| | VOE 11414893 | 1 | | | | Sound Absorber | Insonorisant | Schalldämmstoff..... | Insonorizante..... | Ljudabsorbent..... | LH | |
| 2 | VOE 11175881 | 1 | | | | Sound Absorber | Insonorisant | Schalldämmstoff..... | Insonorizante..... | Ljudabsorbent..... | RH | |
| | VOE 11175882 | 1 | | | | Sound Absorber | Insonorisant | Schalldämmstoff..... | Insonorizante..... | Ljudabsorbent..... | LH | |
| 3 | VOE 971321 | 6 | | | | Screw | Vis | Schraube | Tornillo | Skruv..... | | |
| 4 | VOE 11413269 | 26 | | | | Plastic Plug | Tampon Plastiq. | Kunststoffdübel | Tapon Plastico | Plastplugg..... | | |
| 5 | VOE 13949817 | 26 | | | | Washer..... | Rondelle | Scheibe | Arandela | Bricka..... | | |
| 6 | VOE 981447 | 26 | | | | Flange Lock Nut..... | Contre écrou bride | Flanschmutter | Contratuer Embr..... | Flänslåsmutter..... | | |

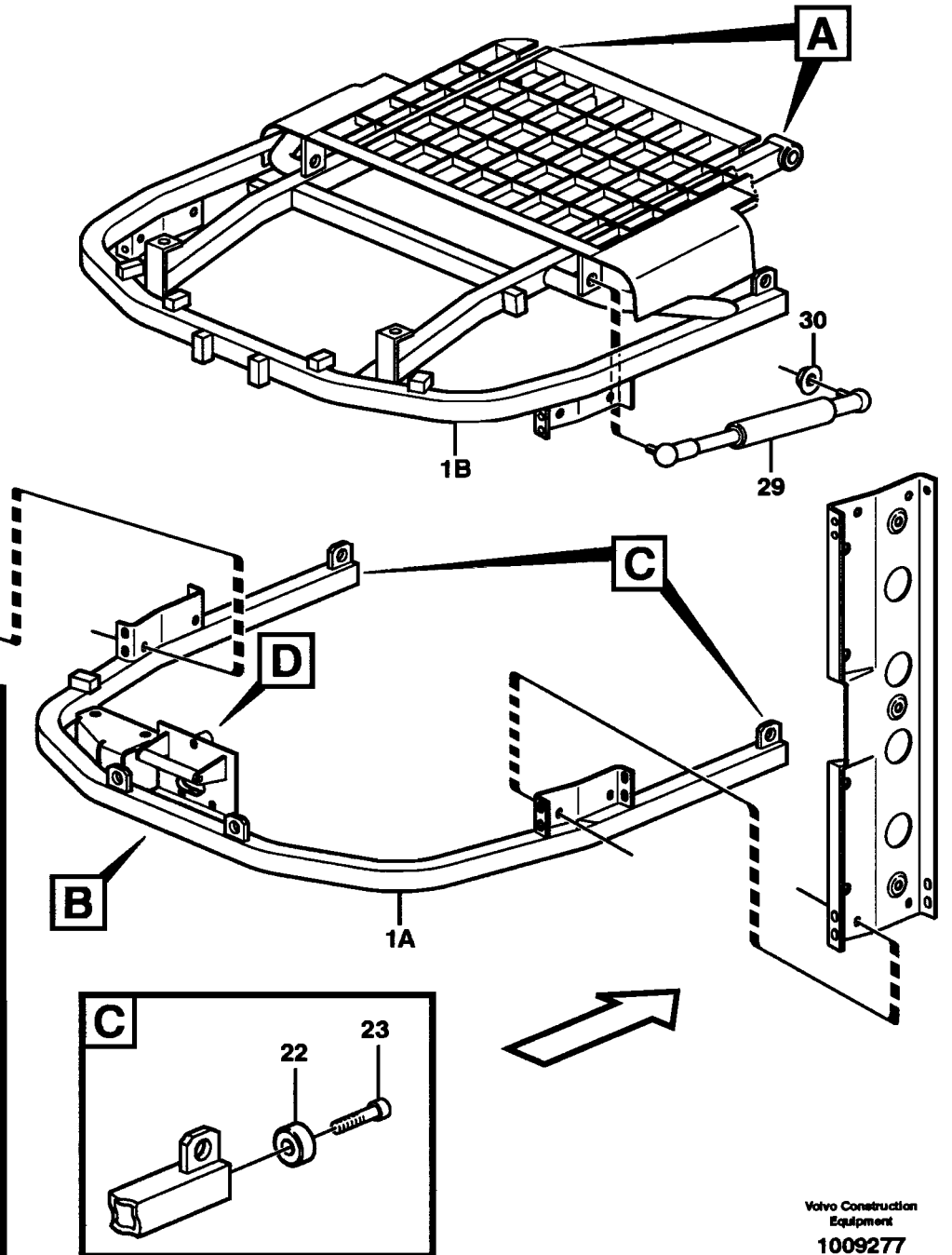
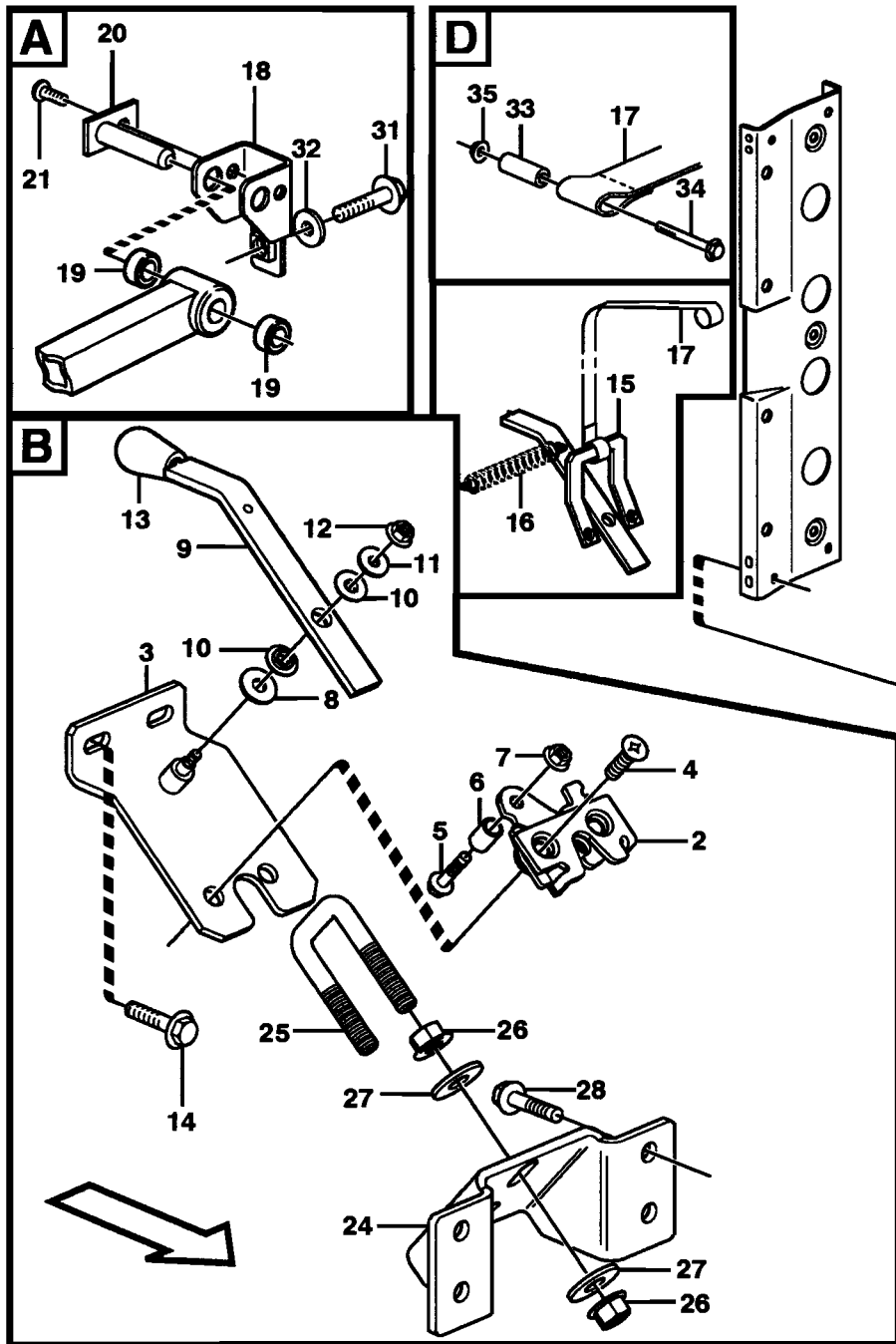
| | | | |
|---|---|-----------------------|------------|
| 1 | Ljudisolering. Equipo insonorizante. Schallisoliermaterial. Equipment insonorisant. Noise reduction. 82173 | Catalogue id | Group |
| 2 | | 20007 | 821 |
| 3 | | Illustr. No | Section |
| 4 | | 1016234 | 170 |
| 5 | | Issue | Page |
| | | VOE 63D9920007 | 637 |

VOLVO

L90E

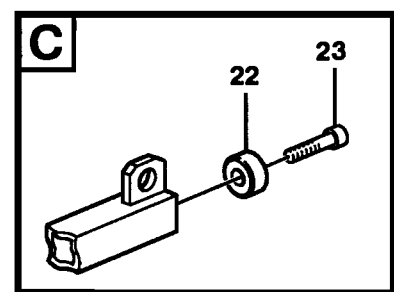
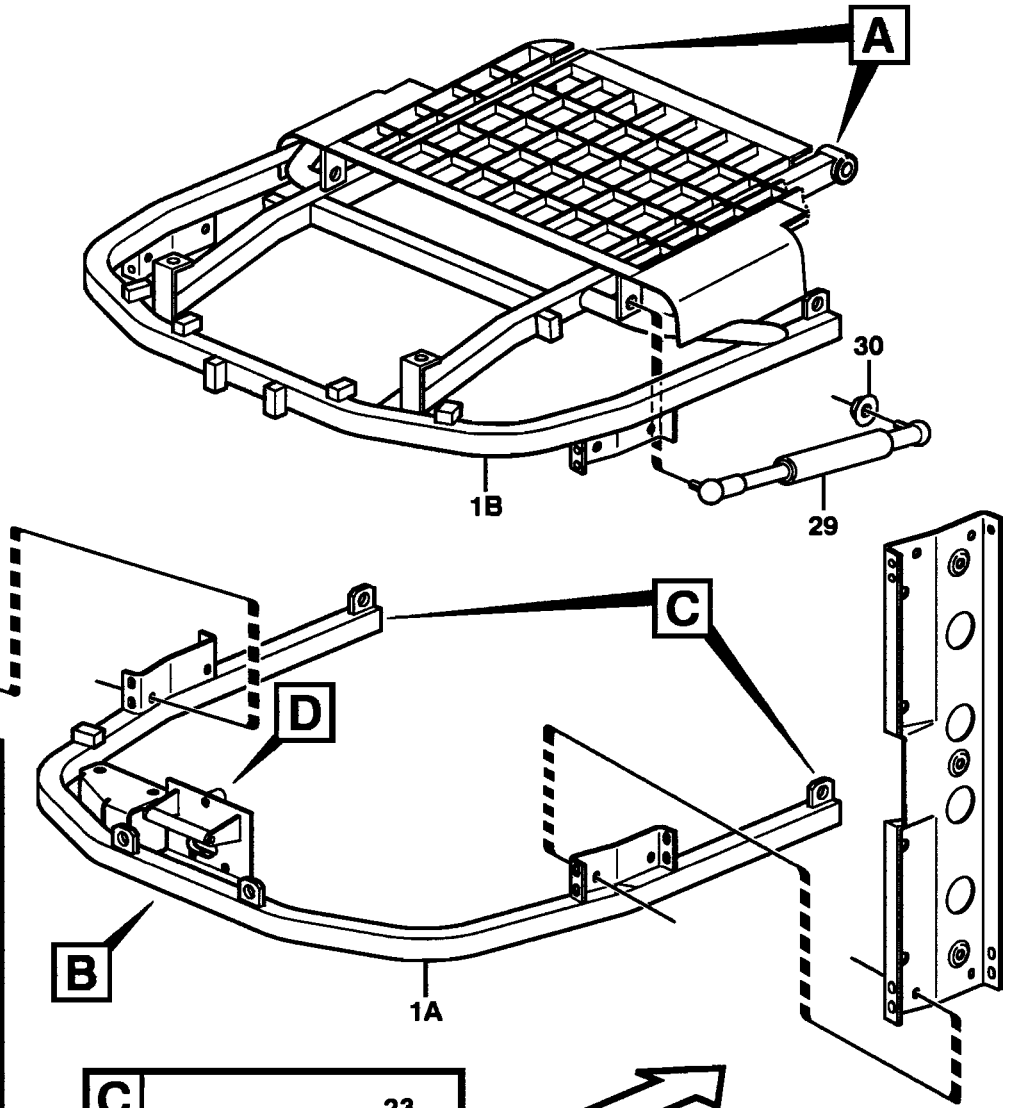
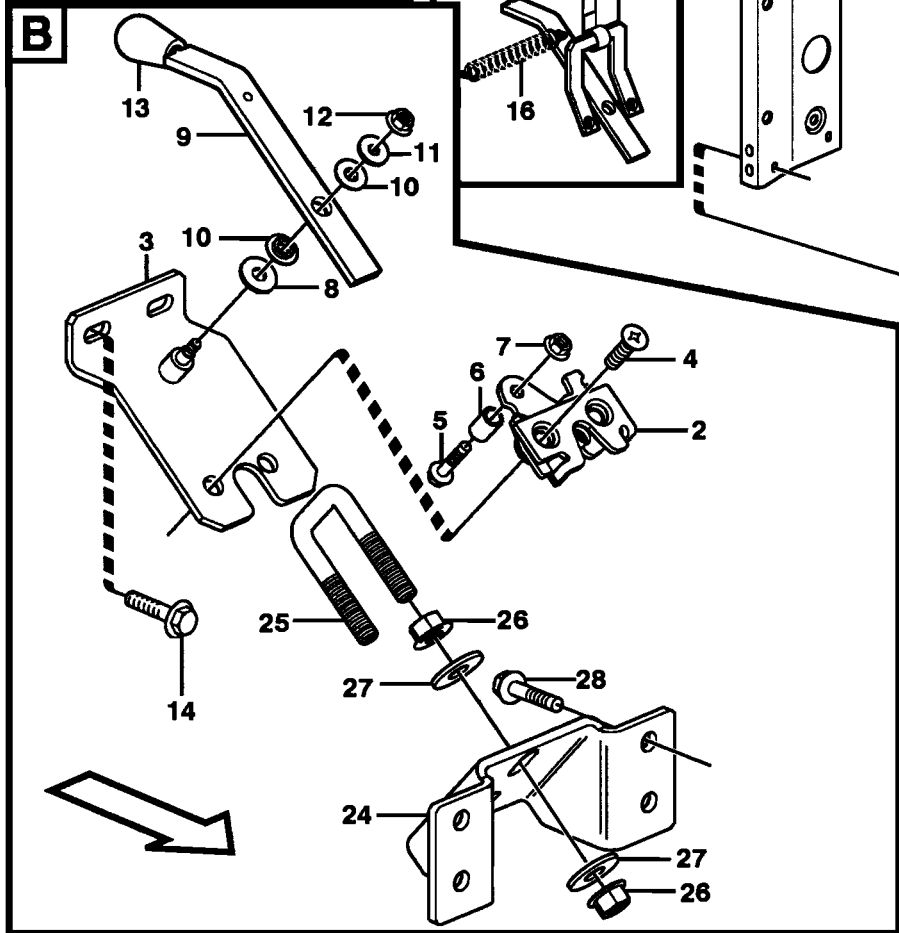
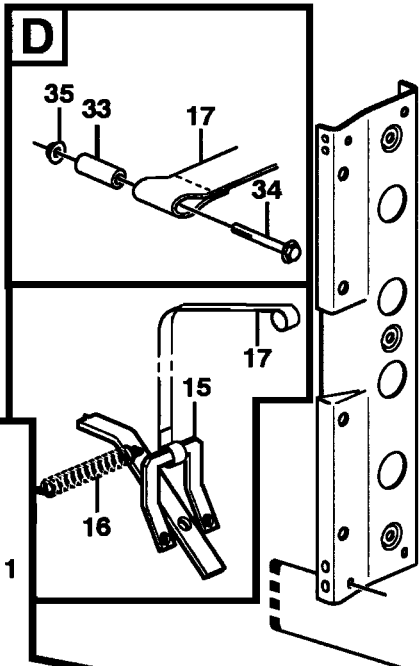
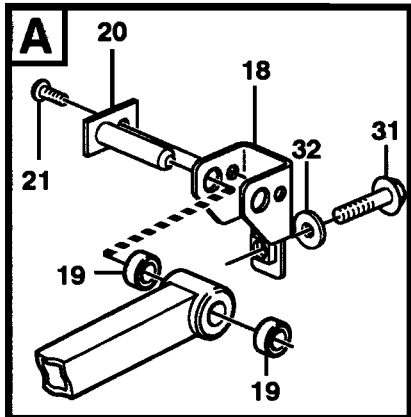
Volvo Construction
Equipment
1015759





| Fig. | Part No. | Quantity | | | P S | K I T | Description | Dénomination | Bezeichnung | Denominación | Benämning | Notes |
|------|--------------|----------|---|---|--------|-------------|-------------------------|------------------------------|-------------------------|-------------------------|-------------------------|-------------------------|
| | | 1 | 2 | 3 | | | | | | | | |
| | | 1 | | | | | Radiator Casing | Boîti radiateur | Kühlerhaube | Cubiert Radiado | Kylarkåpa | See group 823, Page 649 |
| | | 1 | | | NS | | •Frame | •Chassis | •Rahmen | •Bastidor | •Ram | |
| 1A | VOE 11400553 | 1 | | | | | ••Frame | ••Chassis | ••Rahmen | ••Bastidor | ••Ram | |
| | VOE 4753600 | 2 | | | | | ••Set Ring | ••Butee | ••Halbscheibe | ••Anillo Montaje | ••Kuts | |
| 1B | VOE 11400589 | 1 | | | | | ••Frame | ••Chassis | ••Rahmen | ••Bastidor | ••Ram | |
| | VOE 11413061 | 1 | | | | | ••Locking Device | ••Ens. verrouillage | ••Verriegelung | ••Dispos Cierre | ••Låsanordning | |
| 2 | VOE 11175891 | 1 | | | | | ••Lock | ••Serrure | ••Schloss | ••Cierre | ••Lås | |
| 3 | VOE 11413338 | 1 | | | | | ••Attachment | ••Fixation | ••Halterung | ••Fijacion | ••Fäste | |
| 4 | VOE 969373 | 2 | | | | | ••6-pt skt screw | ••Vis creuse de 6 | ••Hohlschraube | ••Racor 6-dientes | ••Sextandhålskruv | |
| 5 | VOE 13948356 | 1 | | | | | ••Flange screw | ••Vis à bride | ••Flansschraube | ••Torn embridado | ••Flänskruv | |
| 6 | VOE 11130641 | 1 | | | | | ••Pipe | ••Canalisation | ••Rohrleitung | ••Canalización | ••Rör | |
| 7 | VOE 13949278 | 1 | | | | | ••Flange Lock Nut | ••Contre écrou bride | ••Flanschmutter | ••Contratuer Embr | ••Flänslåsmutter | |
| 8 | VOE 13960141 | 1 | | | | | ••Washer | ••Rondelle | ••Scheibe | ••Arandela | ••Bricka | |
| 9 | | 1 | | | NS | | ••Rod | ••Tringle | ••Stange | ••Tirante | ••Stång | |
| 10 | | 2 | | | NS | | ••Bushing | ••Bague | ••Buchse | ••Casquillo | ••Bussning | |
| 11 | VOE 960139 | 1 | | | | | ••Washer | ••Rondelle | ••Scheibe | ••Arandela | ••Bricka | |
| 12 | VOE 13945407 | 1 | | | | | ••Nut | ••Ecrou | ••Mutter | ••Tuerca | ••Mutter | |
| 13 | VOE 11175898 | 1 | | | | | ••Handle | ••Poignee | ••Griff | ••Mango | ••Handtag | |
| 14 | VOE 946470 | 2 | | | | | ••Flange screw | ••Vis à bride | ••Flansschraube | ••Torn embridado | ••Flänskruv | |
| 15 | VOE 11413060 | 1 | | | | | ••Attachment | ••Fixation | ••Halterung | ••Fijacion | ••Fäste | |
| 16 | VOE 11413653 | 1 | | | | | ••Tension spring | ••Ressort traction | ••Zugfeder | ••Resorte tension | ••Dragfjäder | |
| 17 | VOE 11400879 | 1 | | | | | ••Strap | ••Sangle | ••Riemen | ••Cinta | ••Rem | |
| 18 | VOE 11175150 | 2 | | | | | ••Hinge Anchorage | ••Fixat.charniere | ••Scharnierplatte | ••Fijac Bisagra | ••Gångjärnsfäste | |
| 19 | VOE 1588548 | 4 | | | | | ••Bushing | ••Bague | ••Buchse | ••Casquillo | ••Bussning | |
| 20 | VOE 11174479 | 2 | | | | | ••Pin | ••Goupille | ••Zapfen | ••Pasador | ••Tapp | |
| 21 | VOE 971319 | 2 | | | | | ••Screw | ••Vis | ••Schraube | ••Tornillo | ••Skruv | |
| 22 | VOE 11175910 | 2 | | | | | ••Set Ring | ••Butee | ••Halbscheibe | ••Anillo Montaje | ••Kuts | |
| 23 | VOE 959223 | 2 | | | | | ••Allen Hd Screw | ••Vis A 6 Pans Cr | ••Inbusschraube | ••Torn Hex Embut | ••Insexskruv | |
| 24 | VOE 11400520 | 1 | | | | | Attachment | Fixation | Halterung | Fijacion | Fäste | |
| 25 | VOE 11400885 | 1 | | | | | Lock brace | Etrier de verrouillage | Sperrklinke | Brazo Seguridad | Låsbygel | |

| | | | | |
|--|--|------------------------------------|--------------------------------|-----------------------|
| 1 | | Kylarkåpa, stativ | Catalogue id 20007 | Group 823 |
| 2 | | Cubierta del radiador, base | | |
| 3 | | Kühlerhaube, Stativ | Illustr. No 1009277 | Section 100 |
| 4 | | Boîtier radiateur, bati | | |
| 5 | | Radiator casing, support | Issue VOE 63D9920007 | Page 641 |
| STD, OPEN ROPS, S/N -21157, -66712 USA, - 70949 BRA | | | | |

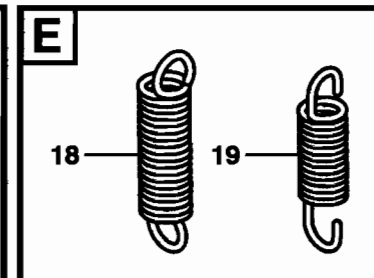
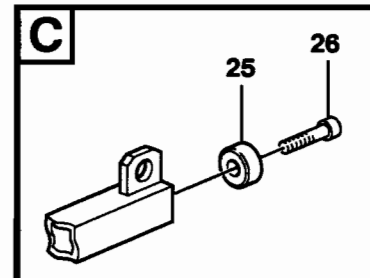
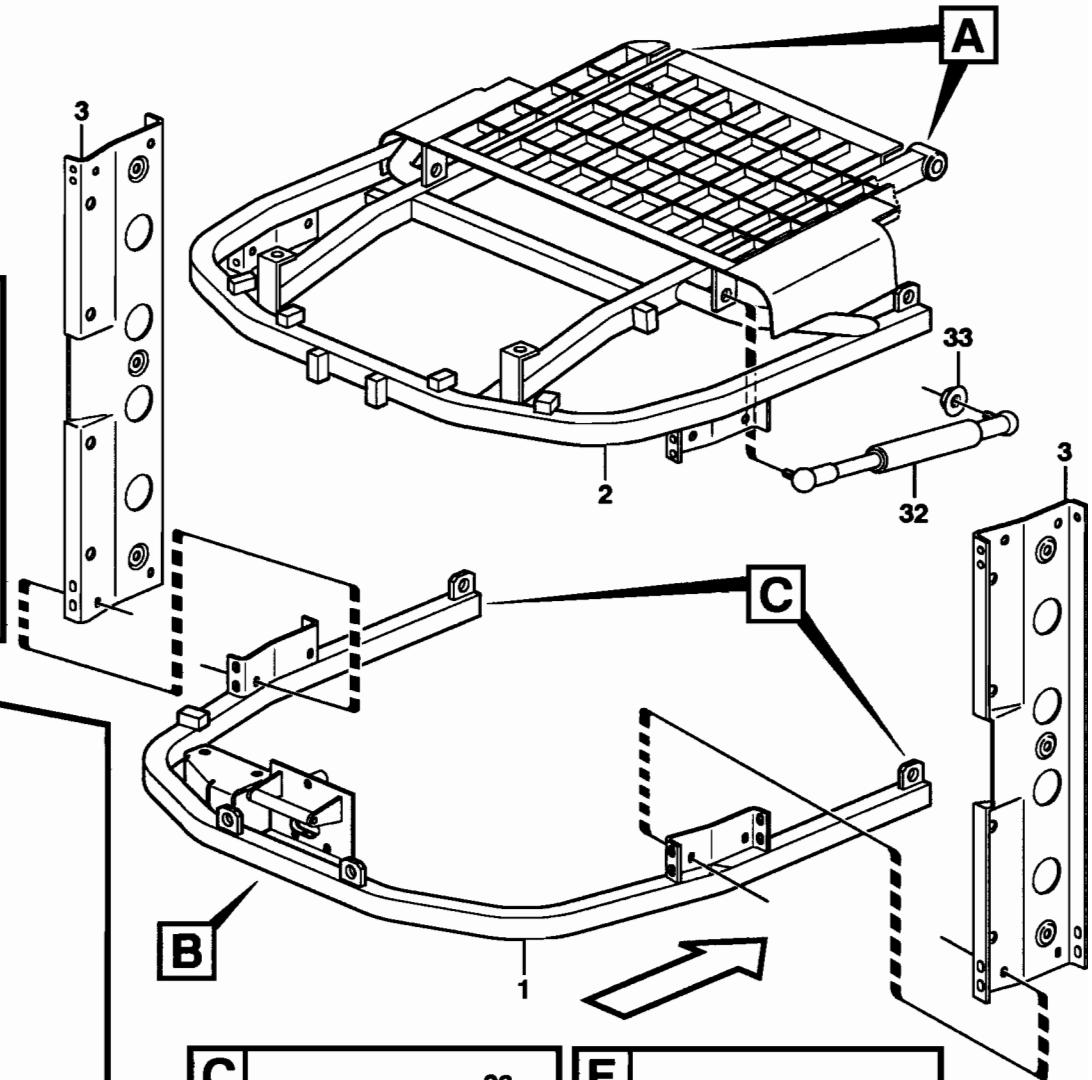
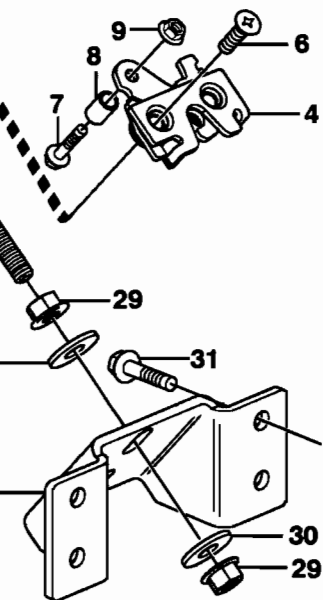
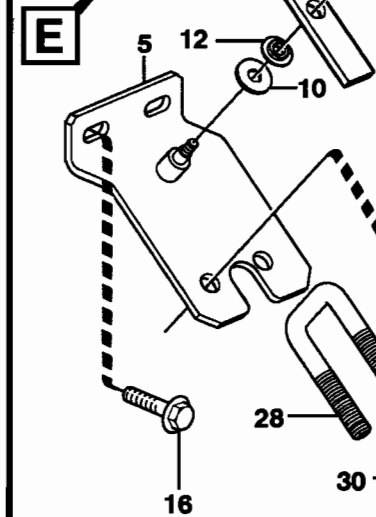
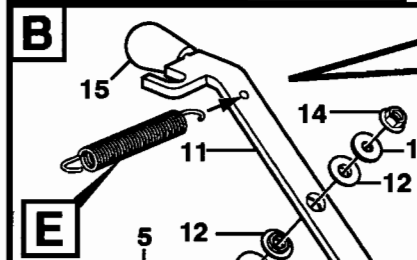
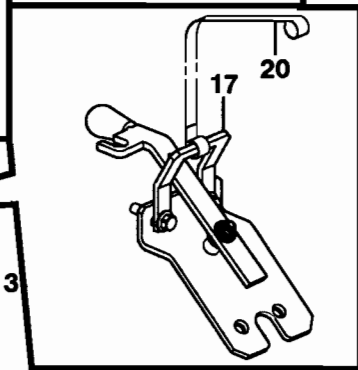
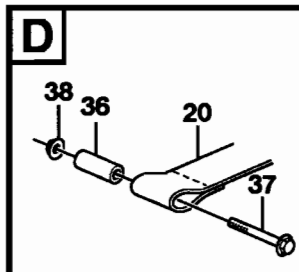
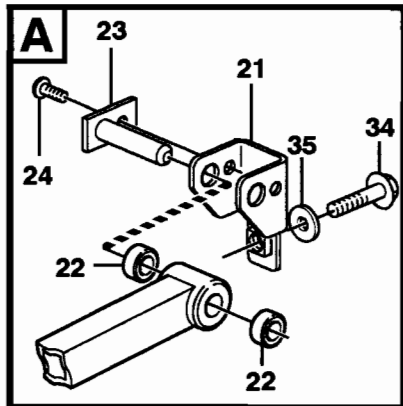


| Fig. | Part No. | Quantity | | | P S | K I T | Description | Dénomination | Bezeichnung | Denominación | Benämning | Notes |
|------|--------------|----------|---|---|--------|--------------------|----------------------|---------------------|----------------------|-------------------|-----------|-------|
| | | 1 | 2 | 3 | | | | | | | | |
| 26 | VOE 13971096 | 4 | | | | Flange nut..... | Ecrou accouple..... | Bundmutter..... | Tuerca embridad..... | Flänsmutter..... | | |
| 27 | VOE 13960145 | 4 | | | | Washer..... | Rondelle..... | Scheibe..... | Arandela..... | Bricka..... | | |
| 28 | VOE 946329 | 4 | | | | Flange screw..... | Vis à bride..... | Flanschschaube..... | Torn embridado..... | Flänsskruv..... | | |
| 29 | VOE 11174326 | 2 | | | | Gas Spring..... | Ressort Gaz..... | Gasfeder..... | Resorte A Gas..... | Gasfjäder..... | | |
| 30 | VOE 13971098 | 2 | | | | Flange nut..... | Ecrou accouple..... | Bundmutter..... | Tuerca embridad..... | Flänsmutter..... | | |
| 31 | VOE 946329 | 4 | | | | Flange screw..... | Vis à bride..... | Flanschschaube..... | Torn embridado..... | Flänsskruv..... | | |
| 32 | VOE 13960143 | 4 | | | | Washer..... | Rondelle..... | Scheibe..... | Arandela..... | Bricka..... | | |
| 33 | VOE 11400274 | 2 | | | | Spacer Sleeve..... | Doui.entretoise..... | Distanzhülse..... | Manguito Dist..... | Distanshylsa..... | | |
| 34 | VOE 13965179 | 1 | | | | Flange screw..... | Vis à bride..... | Flanschschaube..... | Torn embridado..... | Flänsskruv..... | | |
| 35 | VOE 13945408 | 1 | | | | Nut..... | Ecrou..... | Mutter..... | Tuerca..... | Mutter..... | | |

| | | | | |
|---|--|---|-----------------------|------------|
| 1 | | Kylarkåpa, stativ Cubierta del radiador, base Kühlerhaube, Stativ Boîtier radiateur, bati Radiator casing, support STD, OPEN ROPS, S/N -21157, -66712 USA, - 70949 BRA | Catalogue id | Group |
| 2 | | | 20007 | 823 |
| 3 | | | Illustr. No | Section |
| 4 | | | 1009277 | 100 |
| 5 | | | Issue | Page |
| | | | VOE 63D9920007 | 643 |

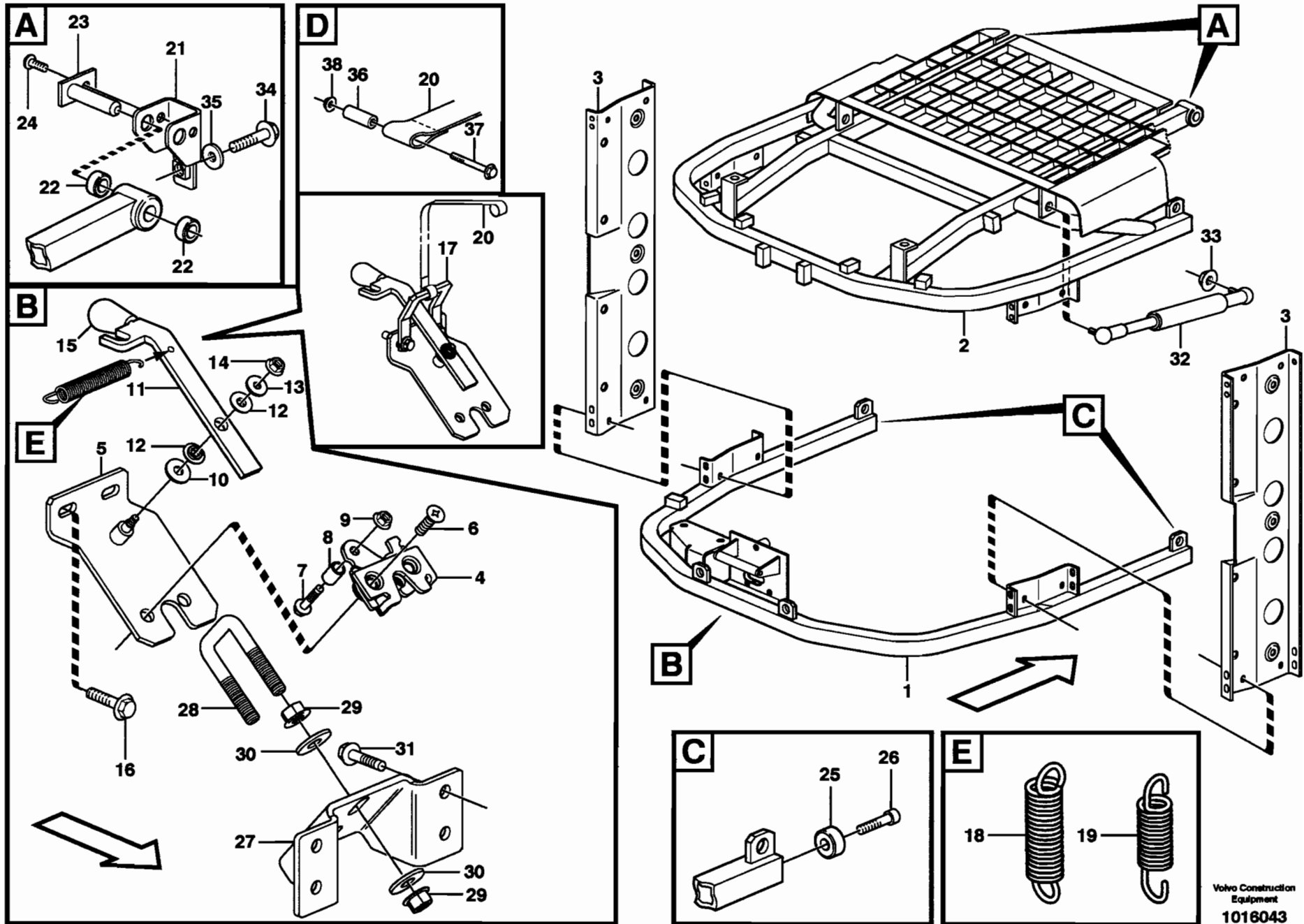
VOLVO

L90E



| Fig. | Part No. | Quantity | | | P S | K I T | Description | Dénomination | Bezeichnung | Denominación | Benämning | Notes |
|------|--------------|----------|---|---|--------|--------------------|-----------------------|--------------------|--------------------|--------------------|-------------------------|--------|
| | | 1 | 2 | 3 | | | | | | | | |
| | VOE 11413857 | 1 | | | | Radiator Casing | Boîti radiateur | Kühlerhaube | Cubiert Radiado | Kylarkåpa | See group 823, Page 649 | |
| | | 1 | | | NS | •Frame | •Chassis | •Rahmen | •Bastidor | •Ram | | |
| 1 | VOE 11413927 | 1 | | | | ••Frame | ••Chassis | ••Rahmen | ••Bastidor | ••Ram | | |
| | VOE 4753600 | 2 | | | | •••Set Ring | •••Butee | •••Halbscheibe | •••Anillo Montaje | •••Kuts | | |
| 2 | VOE 11413059 | 1 | | | | ••Frame | ••Chassis | ••Rahmen | ••Bastidor | ••Ram | | |
| 3 | VOE 11400593 | 2 | | | | ••Intmd Plate | ••Tole Intermedi | ••Mittelblech | ••Plancha Intern | ••Mellanplåt | | |
| | VOE 11413061 | 1 | | | | ••Locking Device | ••Ens. verrouillage | ••Verriegelung | ••Dispos Cierre | ••Låsanordning | | |
| 4 | VOE 11175891 | 1 | | | | •••Lock | •••Serrure | •••Schloss | •••Cierre | •••Lås | | |
| 5 | VOE 11413338 | 1 | | | | •••Attachment | •••Fixation | •••Halterung | •••Fijacion | •••Fäste | | |
| 6 | VOE 969373 | 2 | | | | •••6-pt skt screw | •••Vis creuse de 6 | •••Hohlschraube | •••Racor 6-dientes | •••Sextandhålskruv | | |
| 7 | VOE 13948356 | 1 | | | | •••Flange screw | •••Vis à bride | •••Flanschschraube | •••Torn embridado | •••Flänsskruv | | |
| 8 | VOE 11130641 | 1 | | | | •••Pipe | •••Canalisation | •••Rohrleitung | •••Canalización | •••Rör | | |
| 9 | VOE 13949278 | 1 | | | | •••Flange Lock Nut | •••Contre écrou bride | •••Flanschmutter | •••Contratuer Embr | •••Flänslåsmutter | | |
| 10 | VOE 13960141 | 1 | | | | •••Washer | •••Rondelle | •••Scheibe | •••Arandela | •••Bricka | | |
| 11 | | 1 | | | NS | •••Rod | •••Monture | •••Fuhler | •••Varilla | •••Spröt | | |
| 12 | | 2 | | | NS | •••Bushing | •••Bague | •••Buchse | •••Casquillo | •••Bussning | | |
| 13 | VOE 960139 | 1 | | | | •••Washer | •••Rondelle | •••Scheibe | •••Arandela | •••Bricka | | |
| 14 | VOE 13945407 | 1 | | | | •••Nut | •••Ecrou | •••Mutter | •••Tuerca | •••Mutter | | |
| 15 | VOE 11175898 | 1 | | | | •••Handle | •••Poignee | •••Griff | •••Mango | •••Handtag | | |
| 16 | VOE 946470 | 2 | | | | ••Flange screw | ••Vis à bride | ••Flanschschraube | ••Torn embridado | ••Flänsskruv | | |
| 17 | VOE 11413060 | 1 | | | | ••Attachment | ••Fixation | ••Halterung | ••Fijacion | ••Fäste | | |
| 18 | VOE 11400125 | 1 | | | | ••Tension Spring | ••Ressort de traction | ••Zugfeder | ••Muelle traccion | ••Dragfjäder | | E-PROD |
| 19 | VOE 11413653 | 1 | | | | ••Tension spring | ••Ressort traction | ••Zugfeder | ••Resorte tension | ••Dragfjäder | | L-PROD |
| 20 | VOE 11400879 | 1 | | | | ••Strap | ••Sangle | ••Riemen | ••Cinta | ••Rem | | |
| 21 | VOE 11175150 | 2 | | | | •Hinge Anchorage | •Fixat.charniere | •Scharnierplatte | •Fijac Bisagra | •Gångjärmsfäste | | |
| 22 | VOE 1588548 | 4 | | | | •Bushing | •Bague | •Buchse | •Casquillo | •Bussning | | |
| 23 | VOE 11174479 | 2 | | | | •Pin | •Goupille | •Zapfen | •Pasador | •Tapp | | |
| 24 | VOE 971319 | 2 | | | | •Screw | •Vis | •Schraube | •Tornillo | •Skruv | | |
| 25 | VOE 11175910 | 2 | | | | •Set Ring | •Butee | •Halbscheibe | •Anillo Montaje | •Kuts | | |
| 26 | VOE 959223 | 2 | | | | •Allen Hd Screw | •Vis A 6 Pans Cr | •Inbusschraube | •Torn Hex Embut | •Insexskruv | | |

| | | | | |
|---|--|---|-----------------------|------------|
| 1 | | Kylarkåpa, stativ | Catalogue id | Group |
| 2 | | Cubierta del radiador, base | 20007 | 823 |
| 3 | | Kühlerhaube, Stativ | Illustr. No | Section |
| 4 | | Boîtier radiateur, bati | 1016043 | 110 |
| 5 | | Radiator casing, support | Issue | Page |
| | | STD, OPEN ROPS, S/N 21158-, 66713- USA, 70950- BRA | VOE 63D9920007 | 645 |

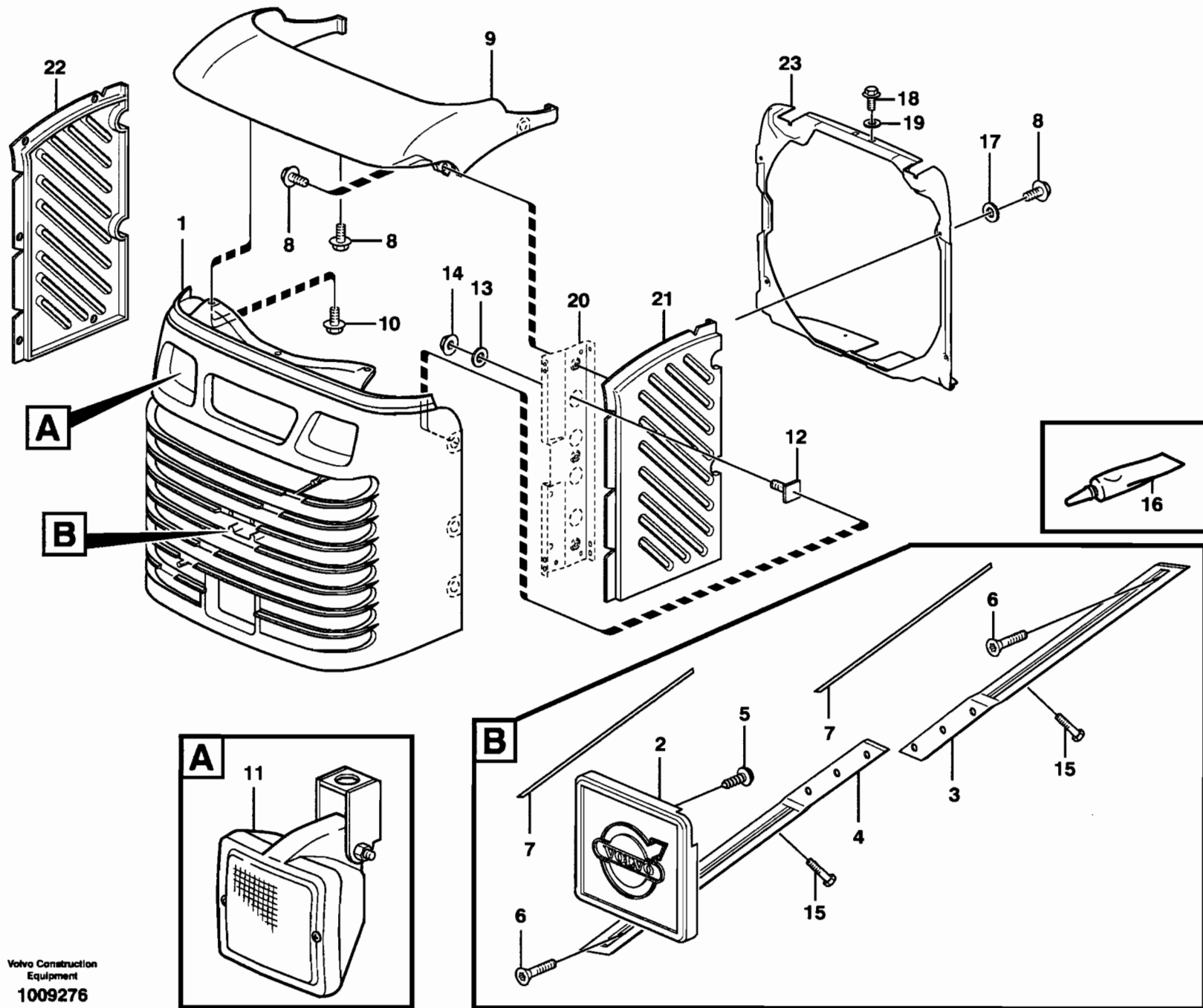


| Fig. | Part No. | Quantity | | | P S | K I T | Description | Dénomination | Bezeichnung | Denominación | Benämning | Notes |
|------|--------------|----------|---|---|--------|-------------|--------------------|--------------------------|---------------------|------------------------|-------------------|-------|
| | | 1 | 2 | 3 | | | | | | | | |
| 27 | VOE 11400520 | 1 | | | | | Attachment..... | Fixation | Halterung..... | Fijacion..... | Fäste..... | |
| 28 | VOE 11400521 | 1 | | | | | Lock brace | Etrier de verrouillage.. | Sperrklinke | Brazo Seguridad | Låsbygel..... | |
| 29 | VOE 13971096 | 4 | | | | | Flange nut..... | Ecrou accouple. | Bundmutter..... | Tuerca embridada | Flänsmutter..... | |
| 30 | VOE 13960145 | 4 | | | | | Washer..... | Rondelle..... | Scheibe | Arandela..... | Bricka..... | |
| 31 | VOE 946329 | 4 | | | | | Flange screw..... | Vis à bride | Flanschschaube..... | Torn embridado..... | Flänsskruv..... | |
| 32 | VOE 11174326 | 2 | | | | | Gas Spring..... | Ressort Gaz | Gasfeder | Resorte A Gas..... | Gasfjäder..... | |
| 33 | VOE 13971098 | 2 | | | | | Flange nut..... | Ecrou accouple. | Bundmutter..... | Tuerca embridada | Flänsmutter..... | |
| 34 | VOE 946329 | 4 | | | | | Flange screw..... | Vis à bride | Flanschschaube..... | Torn embridado..... | Flänsskruv..... | |
| 35 | VOE 13960143 | 4 | | | | | Washer..... | Rondelle..... | Scheibe | Arandela..... | Bricka..... | |
| 36 | VOE 11400274 | 1 | | | | | Spacer Sleeve..... | Doui.entretoise..... | Distanzhülse..... | Manguito Dist | Distanshylsa..... | |
| 37 | VOE 13965179 | 1 | | | | | Flange screw..... | Vis à bride | Flanschschaube..... | Torn embridado..... | Flänsskruv..... | |
| 38 | VOE 13945408 | 1 | | | | | Nut | Ecrou..... | Mutter..... | Tuerca | Mutter..... | |

| | | | | |
|---|--|--|-----------------------|------------|
| 1 | | Kylarkåpa, stativ Cubierta del radiador, base Kühlerhaube, Stativ Boîtier radiateur, bati Radiator casing, support STD, OPEN ROPS, S/N 21158-, 66713- USA, 70950- BRA | Catalogue id | Group |
| 2 | | | 20007 | 823 |
| 3 | | | Illustr. No | Section |
| 4 | | | 1016043 | 110 |
| 5 | | | Issue | Page |
| | | | VOE 63D9920007 | 647 |

VOLVO

L90E



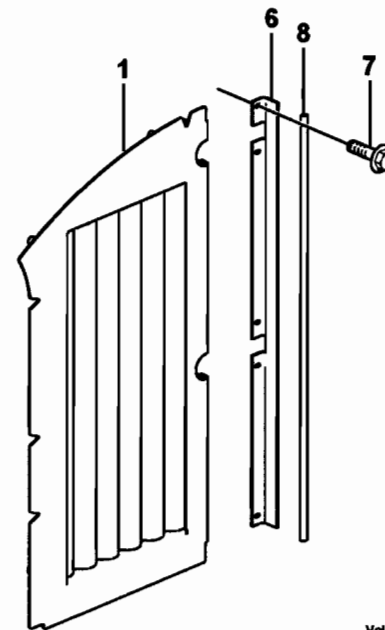
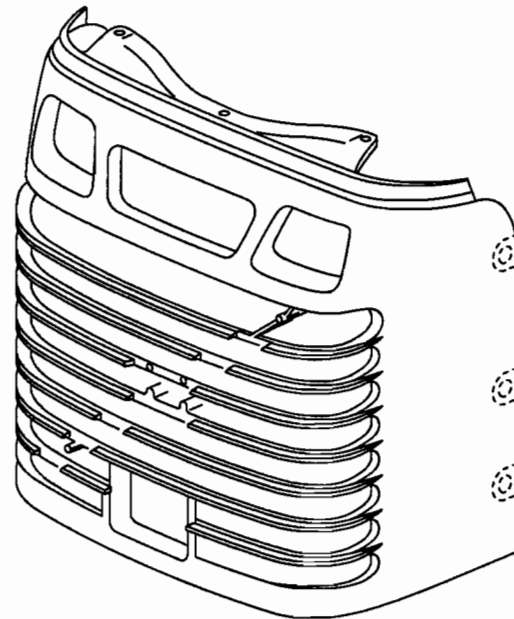
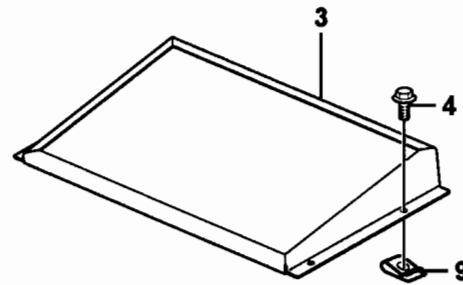
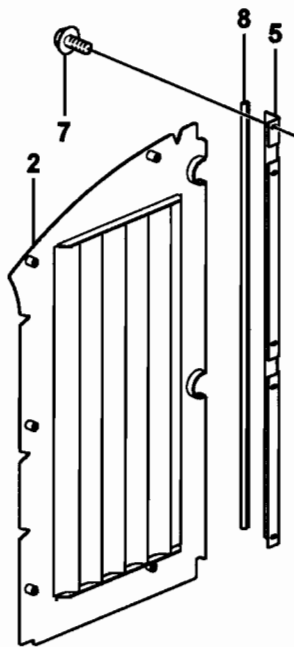
Volvo Construction
 Equipment
 1009276

| Fig. | Part No. | Quantity | | | P S | K I T | Description | Dénomination | Bezeichnung | Denominación | Benämning | Notes |
|------|--------------|----------|---|---|--------|-------------|------------------------|---------------------------|-----------------------|------------------------|----------------------|---|
| | | 1 | 2 | 3 | | | | | | | | |
| | VOE 11400622 | 1 | | | | | Radiator Casing | Boiti.radiateur..... | Kühlerhaube..... | Cubiert Radiado | Kylarkåpa..... | S/N - 21157, - 66712 USA S/N - 70949 BRA |
| | VOE 11413857 | 1 | | | | | Radiator Casing | Boiti.radiateur..... | Kühlerhaube..... | Cubiert Radiado | Kylarkåpa..... | S/N 21158 -, 66713 - USA S/N 70950 - BRA |
| 1 | VOE 11400018 | 1 | | | | | •Grille | •Grille | •Kühlergrill..... | •Calandra | •Grill..... | |
| 2 | VOE 11400025 | 1 | | | | | •Emblem | •Monogramme..... | •Emblem..... | •Emblema..... | •Emblem..... | |
| 3 | VOE 11400028 | 1 | | | | | •Profile | •Profile..... | •Profil..... | •Perfil..... | •Profil..... | |
| 4 | VOE 11400027 | 1 | | | | | •Profile | •Profile..... | •Profil..... | •Perfil..... | •Profil..... | |
| 5 | VOE 976172 | 4 | | | | | •Screw..... | •Vis | •Schraube..... | •Tornillo | •Skruv..... | |
| 6 | VOE 969216 | 2 | | | | | •Screw..... | •Vis | •Schraube..... | •Tornillo | •Skruv..... | |
| 7 | VOE 11400586 | 2 | | | | | •Plastic Strip..... | •Ruban Plastique | •Kunststoffband | •Cinta Plastico | •Plastband..... | |
| 8 | VOE 947107 | 18 | | | | | •Flange screw | •Vis à bride..... | •Flanschschrabe..... | •Torn embridado..... | •Flänsskruv..... | |
| 9 | VOE 11174251 | 1 | | | | | •Upper Section | •Partie Superie | •Oberteil | •Seccion Superio..... | •Överdel..... | |
| 10 | VOE 946440 | 2 | | | | | •Flange screw | •Vis à bride..... | •Flanschschrabe..... | •Torn embridado..... | •Flänsskruv..... | |
| 11 | | 2 | | | | | •Work Lamp | •Lampe Travail | •Arbeitslampe..... | •Lampara Trabajo..... | •Arbetslampa..... | See group 353, Page 179 |
| 12 | VOE 11175207 | 8 | | | | | •Screw..... | •Vis | •Schraube..... | •Tornillo | •Skruv..... | |
| 13 | VOE 13960138 | 8 | | | | | •Washer | •Rondelle..... | •Scheibe | •Arandela..... | •Bricka..... | |
| 14 | VOE 13965483 | 8 | | | | | •Flange Lock Nut | •Contre écrou bride | •Flanschnutter | •Contratuer Embr | •Flänslåsmutter..... | |
| 15 | VOE 976621 | 2 | | | | | •Screw..... | •Vis | •Schraube..... | •Tornillo | •Skruv..... | |
| 16 | VOE 11400687 | REQ | | | | | •Adhesive | •Adhesif..... | •Klebstoff..... | •Adhesivo | •Lim..... | |
| 17 | VOE 13960141 | 6 | | | | | •Washer | •Rondelle..... | •Scheibe | •Arandela..... | •Bricka..... | |
| 18 | VOE 946671 | 4 | | | | | •Flange screw | •Vis à bride..... | •Flanschschrabe..... | •Torn embridado..... | •Flänsskruv..... | |
| 19 | VOE 13960145 | 2 | | | | | •Washer | •Rondelle..... | •Scheibe | •Arandela..... | •Bricka..... | |
| 20 | | 2 | | | | | •Intmd Plate | •Tole Intermedi..... | •Mittelblech..... | •Plancha Intern..... | •Mellanplåt..... | See group 823, Page 649 |
| 21 | VOE 11400020 | 1 | | | | | •Side Panel | •Panneau Lateral | •Seit Verkl..... | •Panel Lateral..... | •Sidopanel..... | |
| 22 | VOE 11400022 | 1 | | | | | •Side Panel | •Panneau Lateral | •Seit Verkl..... | •Panel Lateral..... | •Sidopanel..... | |
| 23 | VOE 11400555 | 1 | | | | | •Cover | •Capot | •Haube | •Capo | •Huv..... | |

| | | | | |
|---|--|---|-----------------------|------------|
| 1 | | Kylarkåpa Cubierta del radiador Kühlerhaube Boitier radiateur Radiator casing STD, OPEN ROPS | Catalogue id | Group |
| 2 | | | 20007 | 823 |
| 3 | | | Illustr. No | Section |
| 4 | | | 1009276 | 150 |
| 5 | | | Issue | Page |
| | | | VOE 63D9920007 | 649 |

VOLVO

L90E



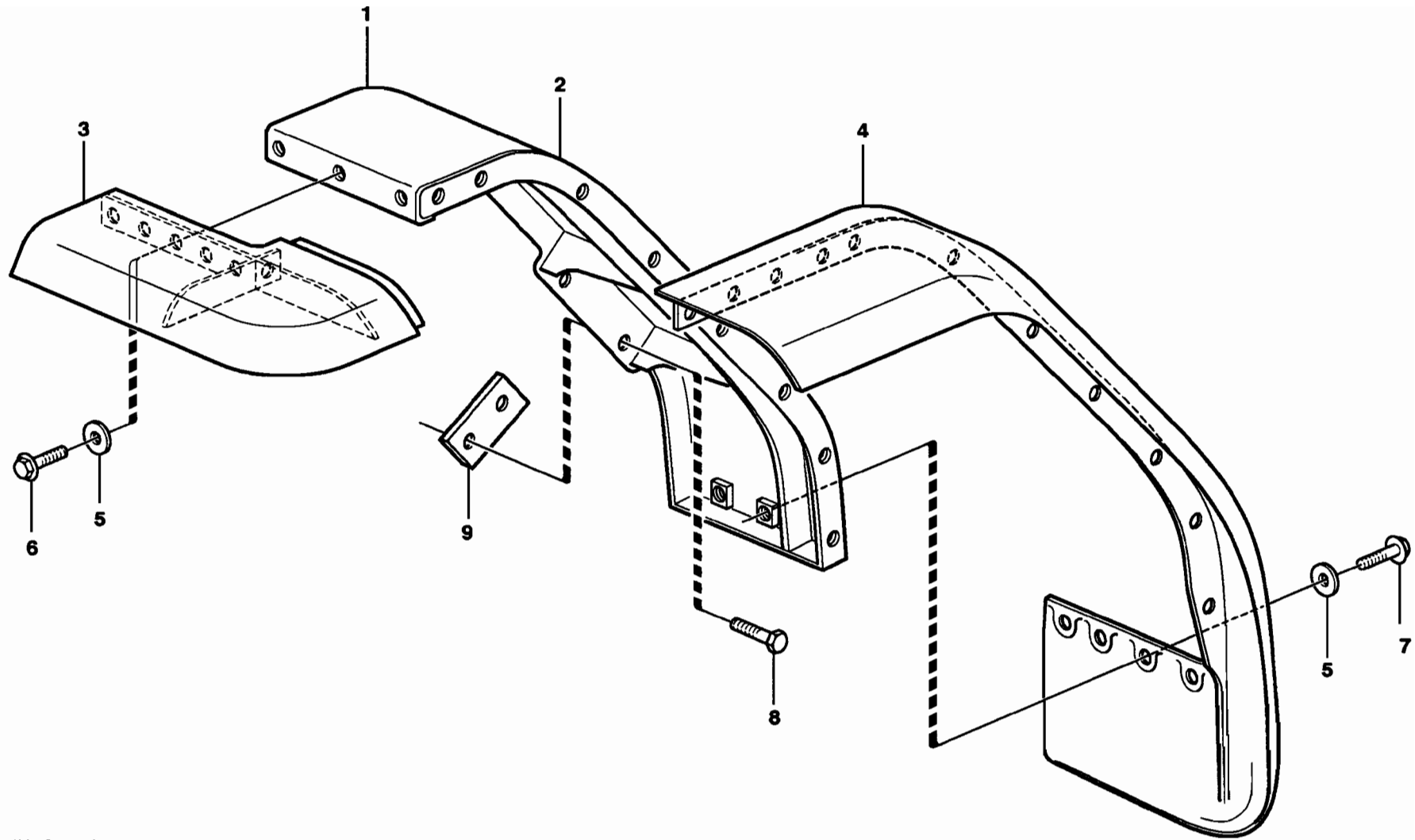
Volvo Construction
Equipment
1016083

| Fig. | Part No. | Quantity | | | P S | K I T | Description | Dénomination | Bezeichnung | Denominación | Benämning | Notes |
|------|--------------|----------|---|---|--------|------------------------|------------------------------|-------------------------|-----------------------------|--------------------------|---|-------|
| | | 1 | 2 | 3 | | | | | | | | |
| 1 | VOE 11180419 | 1 | | | | Side Panel..... | Panneau Lateral..... | Seit Verkl..... | Panel Lateral | Sidopanel..... | RH | |
| 2 | VOE 11180418 | 1 | | | | Side Panel..... | Panneau Lateral..... | Seit Verkl..... | Panel Lateral | Sidopanel..... | LH | |
| 3 | VOE 11180400 | 1 | | | | Air Inlet Grille | Grille d'admission d'a | Lufteinlassgrill | Rejilla de admisión d | Grill för luftintag..... | S/N - 21157, - 66712 USA S/N - 70949 BRA | |
| | VOE 11413975 | 1 | | | | Air Inl Grille | Grill.prise Air | Lufteinl. Gitter..... | Rejil Toma Aire..... | Luftintaggaller..... | S/N 21158 - S/N 66713 - USA S/N 70950 - BRA | |
| 4 | VOE 13946173 | 4 | | | | Flange screw..... | Vis à bride | Flanschschraube..... | Torn embridado | Flänsskruv..... | | |
| 5 | VOE 11180441 | 1 | | | | Angle Iron..... | Equerre | Winkelleisen..... | Pieza angular | Vinkeljärn..... | LH | |
| 6 | VOE 11180423 | 1 | | | | Angle Iron..... | Equerre | Winkelleisen..... | Pieza angular | Vinkeljärn..... | RH | |
| 7 | VOE 13946544 | 10 | | | | Flange screw..... | Vis à bride | Flanschschraube..... | Torn embridado | Flänsskruv..... | M6X16 | |
| 8 | VOE 4881207 | REQ | | | | Sealing Strip..... | Ruban Etanche | Dichtstreifen | Cinta Reten | Tätningband..... | L = 1710MM | |
| 9 | VOE 13949867 | 4 | | | | Spring Nut..... | Ecrou Ressort | Fed. Schliessmutter ... | Tuerca Resorte | Fjädermutter..... | S/N 21158 - S/N 66713 - USA S/N 70950 - BRA | |

| | | | |
|---|--|-----------------------|------------|
| 1 | Skyddsplåtar Placas de proteccion Schutzblechen Tole protection Protecting plates 82292 | Catalogue id | Group |
| 2 | | 20007 | 823 |
| 3 | | Illustr. No | Section |
| 4 | | 1016083 | 300 |
| 5 | | Issue | Page |
| | | VOE 63D9920007 | 651 |

VOLVO

L90E



Volvo Construction
Equipment
1003761

(

(

(

(

(

(

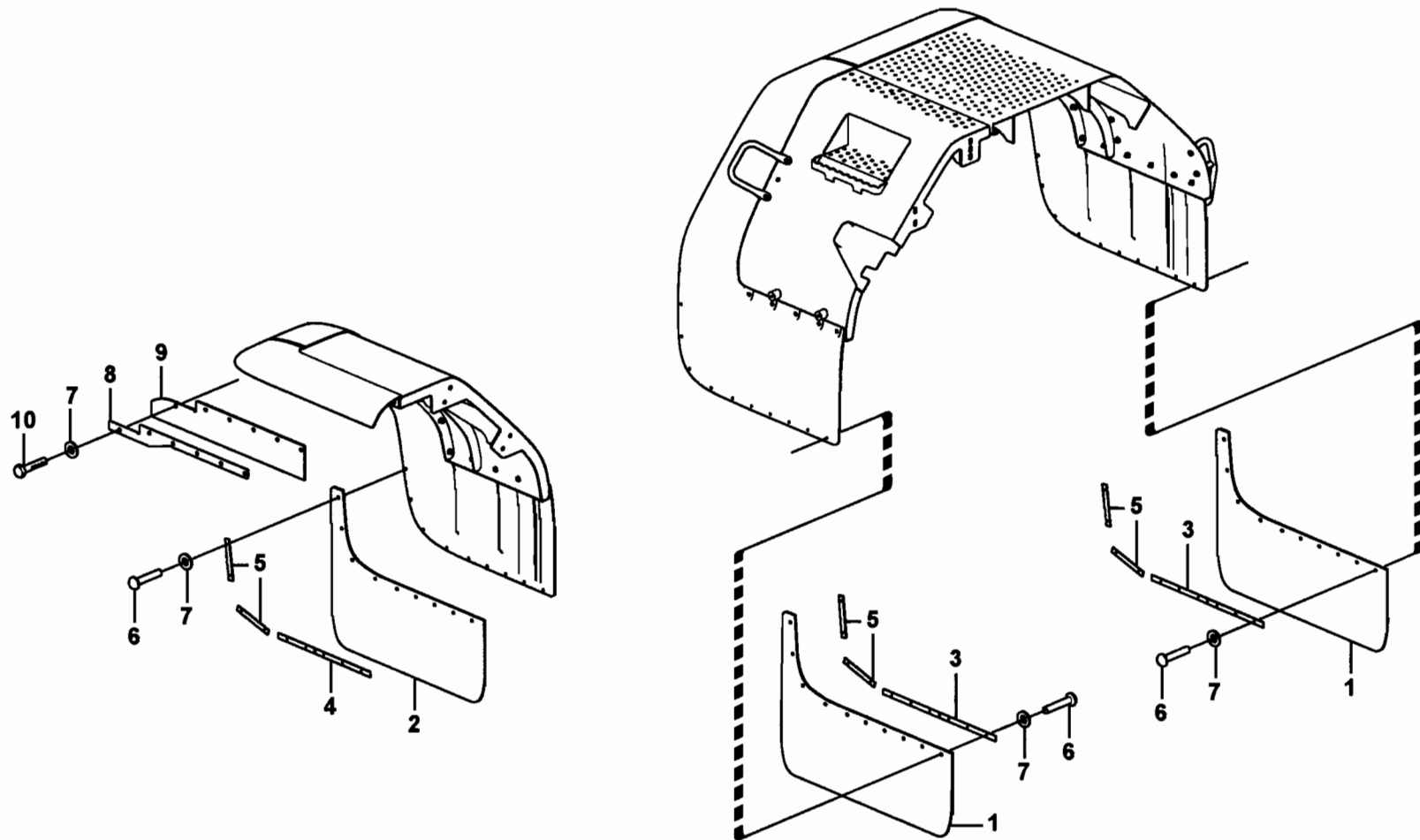
(

| Fig. | Part No. | Quantity | | | P S | K I T | Description | Dénomination | Bezeichnung | Denominación | Benämning | Notes |
|------|--------------|----------|---|---|--------|-------------|----------------------|------------------------|-------------------------|------------------------|----------------------|-------|
| | | 1 | 2 | 3 | | | | | | | | |
| 1 | VOE 11400138 | 1 | | | | | Front fender | Aile AV | Vorderkotflügel | Guardabarro del | Framskärm..... | RH |
| | VOE 11400139 | 1 | | | | | Front fender | Aile AV | Vorderkotflügel | Guardabarro del | Framskärm..... | LH |
| 2 | VOE 11400126 | 1 | | | | | •Front fender | •Aile AV | •Vorderkotflügel..... | •Guardabarro del..... | •Framskärm..... | RH |
| | VOE 11400127 | 1 | | | | | •Front fender | •Aile AV | •Vorderkotflügel..... | •Guardabarro del..... | •Framskärm..... | LH |
| 3 | VOE 11174763 | 1 | | | | | ••Fender flare | ••Elargisseur Ail..... | ••Kotflügelansatz | ••Guard reforzado..... | ••Skärmbreddare..... | RH |
| | VOE 11174764 | 1 | | | | | ••Fender flare | ••Elargisseur Ail..... | ••Kotflügelansatz | ••Guard reforzado..... | ••Skärmbreddare..... | LH |
| 4 | VOE 11174773 | 1 | | | | | ••Fender flare | ••Elargisseur Ail..... | ••Kotflügelansatz | ••Guard reforzado..... | ••Skärmbreddare..... | RH |
| | VOE 11174774 | 1 | | | | | ••Fender flare | ••Elargisseur Ail..... | ••Kotflügelansatz | ••Guard reforzado..... | ••Skärmbreddare..... | LH |
| 5 | VOE 13960145 | 26 | | | | | •Washer | •Rondelle..... | •Scheibe | •Arandela..... | •Bricka..... | |
| 6 | VOE 946472 | 22 | | | | | •Flange screw | •Vis à bride..... | •Flanschschrabe..... | •Torn embridado..... | •Flänsskruv..... | |
| 7 | VOE 946329 | 4 | | | | | •Flange screw | •Vis à bride..... | •Flanschschrabe..... | •Torn embridado..... | •Flänsskruv..... | |
| 8 | VOE 13965193 | 8 | | | | | Screw | Vis | Schraube | Tornillo | Skruv..... | |
| 9 | VOE 11400344 | 4 | | | | | Spacer Plate | Plaq.entretoise | Abstandplatte | Placa Distancia | Distansplatta..... | |

| | | | |
|---|---|-----------------------|------------|
| 1 | Skärmar, fram och bak. Guardabarrros delanteros y trasero Vorder- und Hinterkot- flügel Garde-boue, av et Ar Fenders, front and rear. STD, OPEN ROPS | Catalogue id | Group |
| 2 | | 20007 | 825 |
| 3 | | Illustr. No | Section |
| 4 | | 1003761 | 100 |
| 5 | | Issue | Page |
| | | VOE 63D9920007 | 653 |

VOLVO

L90E



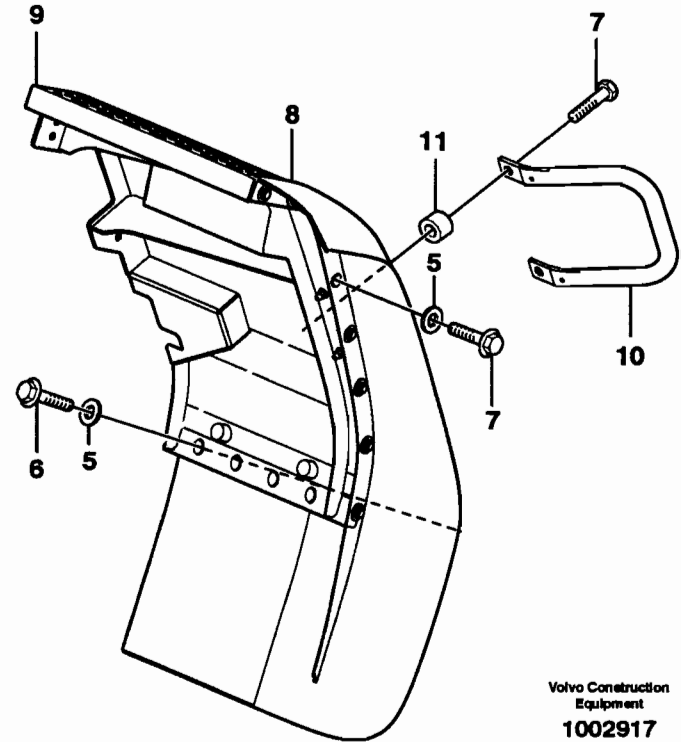
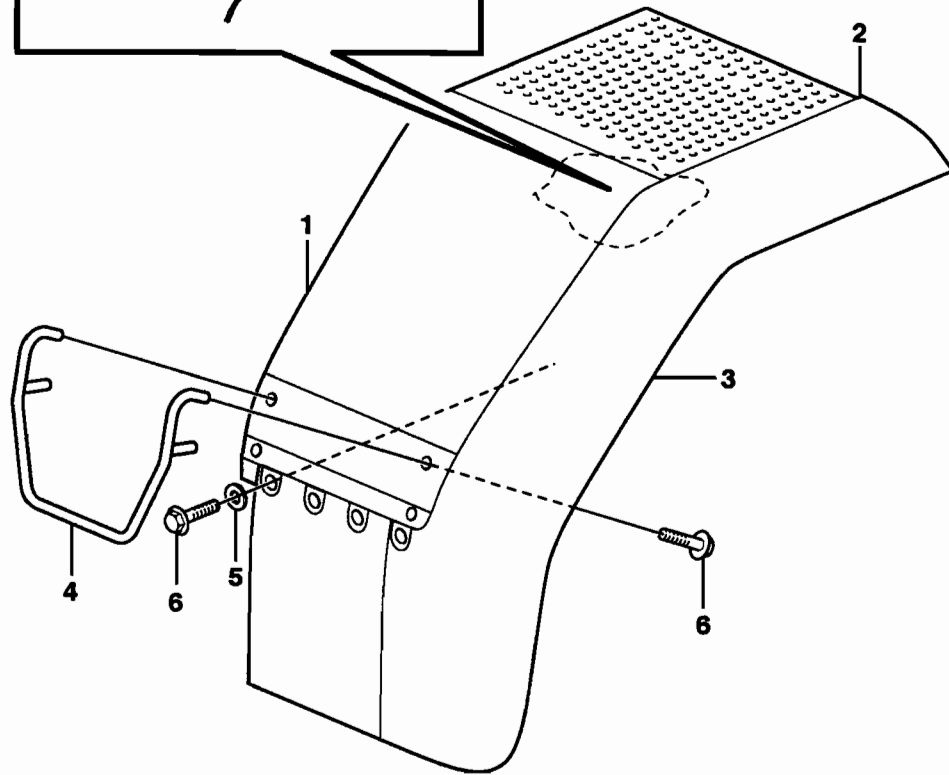
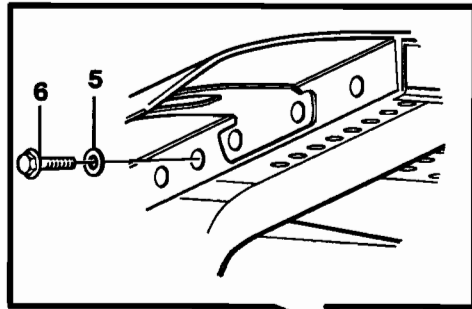
Volvo Construction
Equipment
1014760

| Fig. | Part No. | Quantity | | | | | P S | K I T | Description | Dénomination | Bezeichnung | Denominación | Benämning | Notes |
|------|--------------|----------|---|---|---|---|--------|-----------------------|----------------------|-------------------------|----------------------|------------------|-----------|-------|
| | | 1 | 2 | 3 | 4 | 5 | | | | | | | | |
| 1 | VOE 11413287 | 4 | | | | | | Mudflap | Pare-boue | Schmutzfänger | Parafango | Stänkskydd | | |
| 2 | VOE 11413289 | 2 | | | | | | Mudflap | Pare-boue | Schmutzfänger | Parafango | Stänkskydd | | |
| 3 | VOE 11400502 | 8 | | | | | | Attaching Rail | Barre Fixation | Bef Schiene | Riel Fijacion | Fästskena | | |
| 4 | VOE 11400503 | 2 | | | | | | Attaching Rail | Barre Fixation | Bef Schiene | Riel Fijacion | Fästskena | | |
| 5 | VOE 11400504 | 12 | | | | | | Attaching Rail | Barre Fixation | Bef Schiene | Riel Fijacion | Fästskena | | |
| 6 | VOE 13977632 | 48 | | | | | | Blind Rivet | Rivet Borgne | Blindniet | Remache Ciego | Blindnit | | |
| 7 | VOE 120618 | 48 | | | | | | Washer | Rondelle | Scheibe | Arandela | Bricka | | |
| 8 | VOE 11413141 | 2 | | | | | | Attaching Plate | Tole fixation | Befestigungsblech | Chapa fijacion | Fästplåt | | |
| 9 | VOE 11413138 | 2 | | | | | | Mudflap | Pare-boue | Schmutzfänger | Parafango | Stänkskydd | | |
| 10 | VOE 13965185 | 6 | | | | | | Flange screw | Vis à bride | Flansschraube | Torn embridado | Flänsskruv | | |

| | | | |
|---|---|-----------------------|------------|
| 1 | Skärmar, fram och bak. Guardabarros delanteros y trasero Vorder- und Hinterkot- flügel Garde-boue, av et Ar Fenders, front and rear. 82628 | Catalogue id | Group |
| 2 | | 20007 | 825 |
| 3 | | Illustr. No | Section |
| 4 | | 1014760 | 150 |
| 5 | | Issue | Page |
| | | VOE 63D9920007 | 655 |

VOLVO

L90E



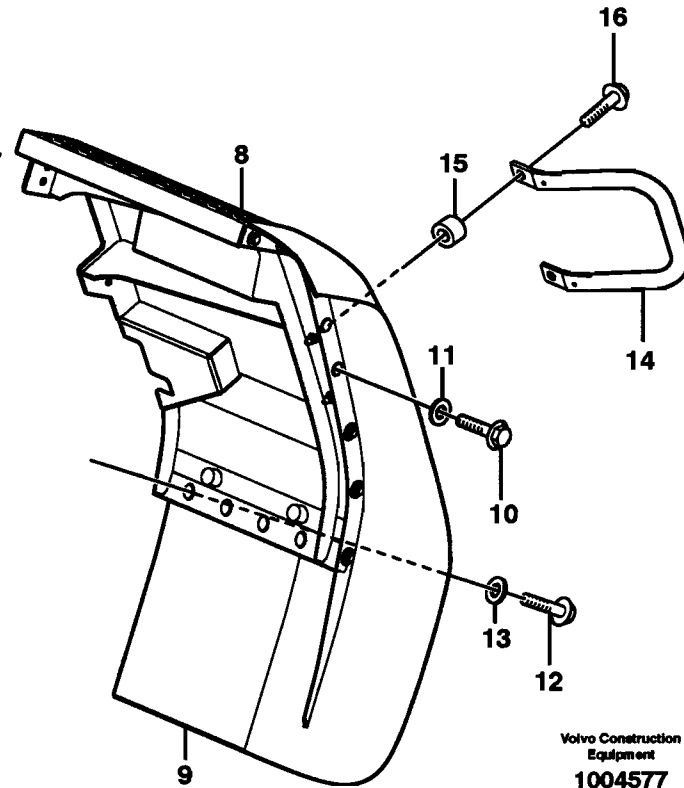
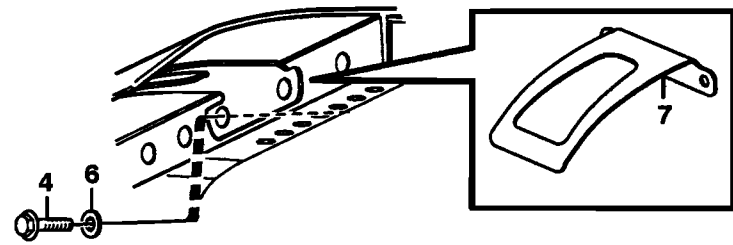
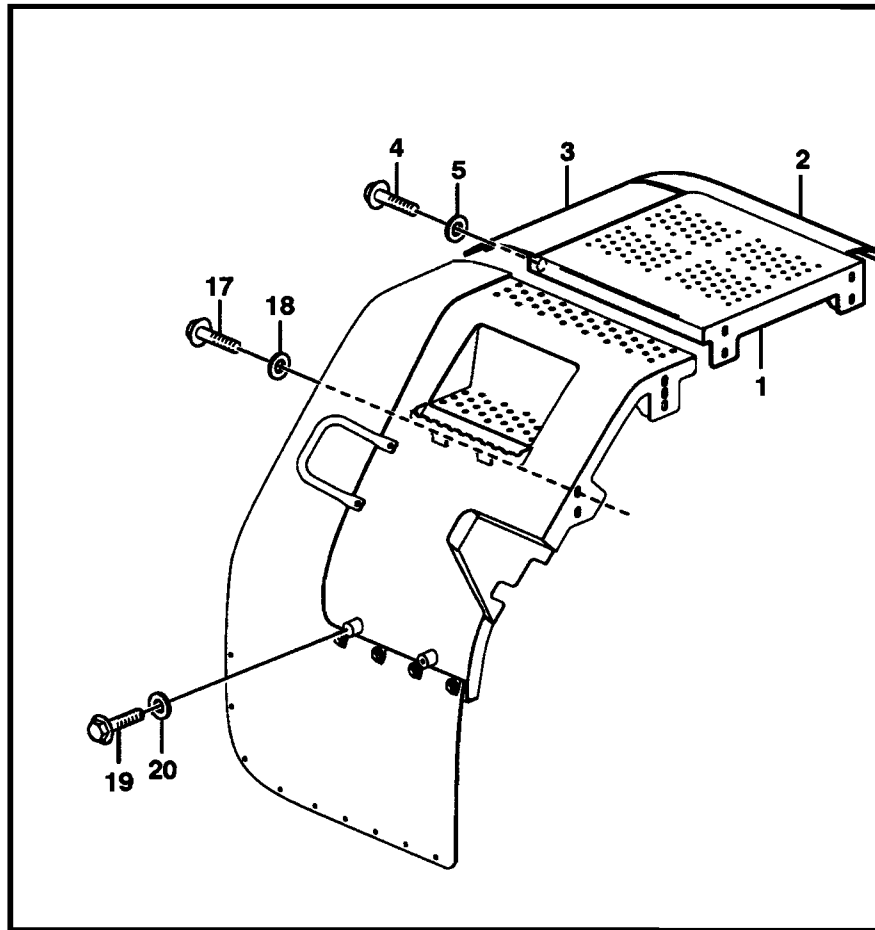
Volvo Construction
Equipment
1002917

| Fig. | Part No. | Quantity | | | P S | K I T | Description | Dénomination | Bezeichnung | Denominación | Benämning | Notes |
|------|--------------|----------|---|---|--------|-------------|---------------------|------------------------|------------------------|------------------------|---------------------|-------|
| | | 1 | 2 | 3 | | | | | | | | |
| 1 | VOE 11400142 | 1 | | | | | Rear fender..... | Aile AR..... | Hinterkotflügel..... | Guardabarro pos..... | Bakskärm..... | RH |
| | VOE 11400143 | 1 | | | | | Rear fender..... | Aile AR..... | Hinterkotflügel..... | Guardabarro pos..... | Bakskärm..... | LH |
| 2 | VOE 11400130 | 1 | | | | | •Rear fender..... | •Aile AR..... | •Hinterkotflügel..... | •Guardabarro pos..... | •Bakskärm..... | RH |
| | VOE 11400131 | 1 | | | | | •Rear fender..... | •Aile AR..... | •Hinterkotflügel..... | •Guardabarro pos..... | •Bakskärm..... | LH |
| 3 | VOE 11174773 | 1 | | | | | ••Fender flare..... | ••Elargisseur Ail..... | ••Kotflügelansatz..... | ••Guard reforzado..... | ••Skämbreddare..... | RH |
| | VOE 11174774 | 1 | | | | | ••Fender flare..... | ••Elargisseur Ail..... | ••Kotflügelansatz..... | ••Guard reforzado..... | ••Skämbreddare..... | LH |
| 4 | VOE 11175609 | 2 | | | | | •Handle..... | •Poignee..... | •Griff..... | •Mango..... | •Handtag..... | |
| 5 | VOE 13960145 | 46 | | | | | •Washer..... | •Rondelle..... | •Scheibe..... | •Arandela..... | •Bricka..... | |
| 6 | VOE 946329 | 20 | | | | | •Flange screw..... | •Vis à bride..... | •Flanschschrabe..... | •Torn embridado..... | •Flänsskruv..... | |
| 7 | VOE 946472 | 38 | | | | | •Flange screw..... | •Vis à bride..... | •Flanschschrabe..... | •Torn embridado..... | •Flänsskruv..... | |
| 8 | VOE 11400140 | 1 | | | | | Rear fender..... | Aile AR..... | Hinterkotflügel..... | Guardabarro pos..... | Bakskärm..... | RH |
| | VOE 11400141 | 1 | | | | | Rear fender..... | Aile AR..... | Hinterkotflügel..... | Guardabarro pos..... | Bakskärm..... | LH |
| 9 | VOE 11400128 | 1 | | | | | •Rear fender..... | •Aile AR..... | •Hinterkotflügel..... | •Guardabarro pos..... | •Bakskärm..... | |
| | VOE 11400129 | 1 | | | | | •Rear fender..... | •Aile AR..... | •Hinterkotflügel..... | •Guardabarro pos..... | •Bakskärm..... | |
| 10 | VOE 11175869 | 2 | | | | | •Handle..... | •Poignee..... | •Griff..... | •Mango..... | •Handtag..... | |
| 11 | VOE 4859489 | 4 | | | | | •Spacer Washer..... | •Rond.entretoise..... | •Abstandscheibe..... | •Arandela Dist..... | •Distansbricka..... | |

| | | | | |
|---|--|---|-----------------------|------------|
| 1 | | Stänkskärm, bak Guardabarros, trasero Kotflügel, hinten Aile, AR Fender, rear SER NO - 20004 | Catalogue id | Group |
| 2 | | | 20007 | 826 |
| 3 | | | Illustr. No | Section |
| 4 | | | 1002917 | 100 |
| 5 | | | Issue | Page |
| | | | VOE 63D9920007 | 657 |

VOLVO

L90E



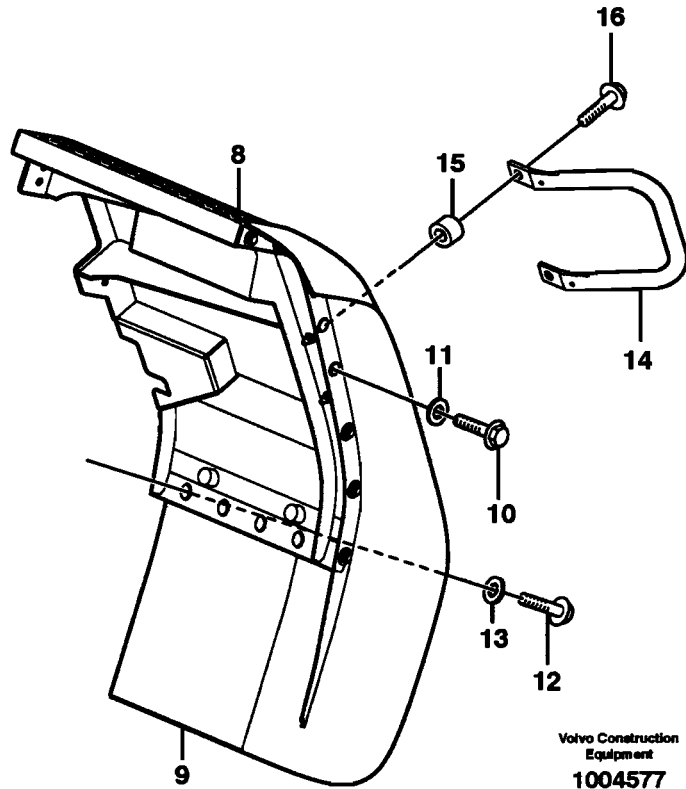
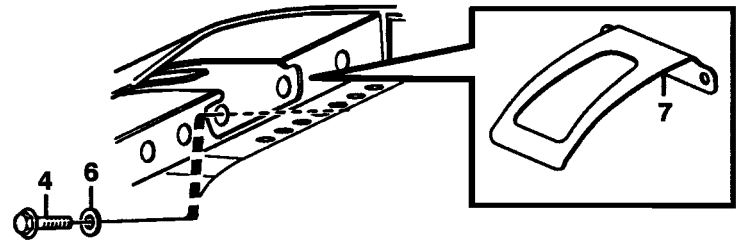
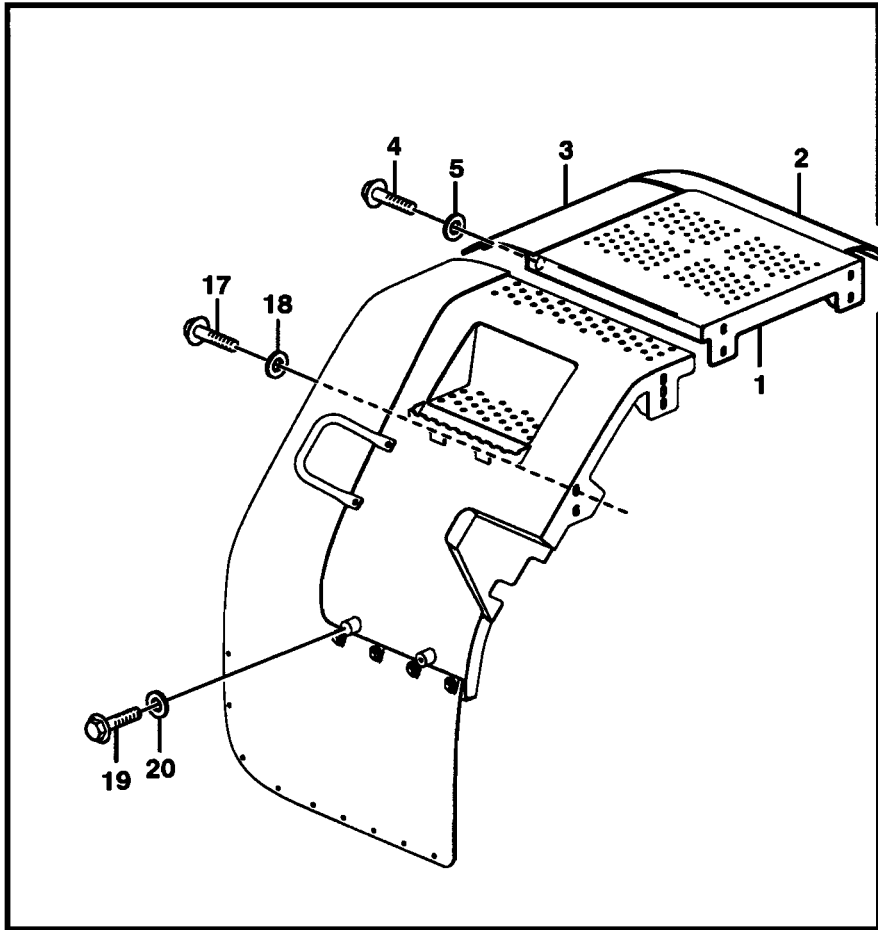
Volvo Construction
Equipment
1004577

| Fig. | Part No. | Quantity | | | | | P S | K I T | Description | Dénomination | Bezeichnung | Denominación | Benämning | Notes |
|------|--------------|----------|---|---|---|---|--------|---------------------|------------------------|------------------------|------------------------|---------------------|-----------|-------|
| | | 1 | 2 | 3 | 4 | 5 | | | | | | | | |
| | VOE 11413233 | 1 | | | | | | Rear fender..... | Aile ar | Hinterkotflügel..... | Guardabarro pos | Bakskärm..... | | |
| | VOE 11413232 | | 1 | | | | | Rear fender..... | Aile ar | Hinterkotflügel..... | Guardabarro pos | Bakskärm..... | | |
| 1 | VOE 11413023 | 1 | | | | | | •Rear fender | •Aile AR | •Hinterkotflügel..... | •Guardabarro pos | •Bakskärm..... | | |
| | VOE 11413022 | | 1 | | | | | •Rear fender | •Aile AR | •Hinterkotflügel..... | •Guardabarro pos | •Bakskärm..... | | |
| 2 | VOE 11174767 | 1 | | | | | | •Fender flare | •Elargisseur Ail | •Kotflügelansatz | •Guard reforzado | •Skärmbreddare..... | | |
| | VOE 11174763 | 1 | | | | | | •Fender flare | •Elargisseur Ail | •Kotflügelansatz | •Guard reforzado | •Skärmbreddare..... | | |
| | VOE 11174768 | | 1 | | | | | •Fender flare | •Elargisseur Ail | •Kotflügelansatz | •Guard reforzado | •Skärmbreddare..... | | |
| | VOE 11174764 | | 1 | | | | | •Fender flare | •Elargisseur Ail | •Kotflügelansatz | •Guard reforzado | •Skärmbreddare..... | | |
| 3 | VOE 11413776 | 1 | | | | | | •Fender flare | •Elargisseur Ail | •Kotflügelansatz | •Guard reforzado | •Skärmbreddare..... | | |
| | VOE 11413775 | | 1 | | | | | •Fender flare | •Elargisseur Ail | •Kotflügelansatz | •Guard reforzado | •Skärmbreddare..... | | |
| 4 | VOE 946472 | 9 | 9 | | | | | •Flange screw | •Vis à bride | •Flanschschraube | •Torn embridado | •Flänsskruv..... | | |
| 5 | VOE 13960145 | 7 | 7 | | | | | •Washer | •Rondelle | •Scheibe..... | •Arandela..... | •Bricka..... | | |
| 6 | VOE 13960143 | 2 | 2 | | | | | •Washer | •Rondelle | •Scheibe..... | •Arandela..... | •Bricka..... | | |
| 7 | VOE 11400605 | 1 | 1 | | | | | •Backing plate..... | •Tole support..... | •Stützblech..... | •Chapa apoyo..... | •Stödplåt..... | | |
| | VOE 11400141 | 1 | | | | | | Rear fender..... | Aile AR | Hinterkotflügel..... | Guardabarro pos | Bakskärm..... | | |
| | VOE 11400140 | | 1 | | | | | Rear fender..... | Aile AR | Hinterkotflügel..... | Guardabarro pos | Bakskärm..... | | |
| 8 | VOE 11400129 | 1 | | | | | | •Rear fender | •Aile AR | •Hinterkotflügel..... | •Guardabarro pos | •Bakskärm..... | | |
| | VOE 11400128 | | 1 | | | | | •Rear fender | •Aile AR | •Hinterkotflügel..... | •Guardabarro pos | •Bakskärm..... | | |
| 9 | VOE 11174774 | 1 | | | | | | •Fender flare | •Elargisseur Ail | •Kotflügelansatz | •Guard reforzado | •Skärmbreddare..... | | |
| | VOE 11174773 | | 1 | | | | | •Fender flare | •Elargisseur Ail | •Kotflügelansatz | •Guard reforzado | •Skärmbreddare..... | | |
| 10 | VOE 946472 | 7 | 7 | | | | | •Flange screw | •Vis à bride | •Flanschschraube | •Torn embridado | •Flänsskruv..... | | |
| 11 | VOE 13960145 | 7 | 7 | | | | | •Washer | •Rondelle | •Scheibe..... | •Arandela..... | •Bricka..... | | |
| 12 | VOE 946329 | 3 | 3 | | | | | •Flange screw | •Vis à bride | •Flanschschraube | •Torn embridado | •Flänsskruv..... | | |
| 13 | VOE 13960145 | 3 | 3 | | | | | •Washer | •Rondelle | •Scheibe..... | •Arandela..... | •Bricka..... | | |
| 14 | VOE 11175869 | 1 | 1 | | | | | •Handle | •Poignee | •Griff..... | •Mango | •Handtag..... | | |
| 15 | VOE 4859489 | 2 | 2 | | | | | •Spacer Washer..... | •Rond.entretoise..... | •Abstandscheibe | •Arandela Dist..... | •Distansbricka..... | | |
| 16 | VOE 946472 | 2 | 2 | | | | | •Flange screw | •Vis à bride | •Flanschschraube | •Torn embridado | •Flänsskruv..... | | |
| 17 | VOE 13965193 | 7 | 7 | | | | | Screw..... | Vis | Schraube | Tornillo..... | Skruv..... | | |
| 18 | VOE 13960145 | 7 | 7 | | | | | Washer | Rondelle | Scheibe..... | Arandela | Bricka..... | | |
| 19 | VOE 946329 | 2 | 2 | | | | | Flange screw | Vis à bride | Flanschschraube | Torn embridado | Flänsskruv..... | | |

| | | | | |
|---|----|--|-----------------------|------------|
| 1 | LH | Stänkskärm, bak Guardabarros, trasero Kotflügel, hinten Aile, AR Fender, rear SER NO 2005 -, SER NO 66001 - USA, SER NO 70801 - BRA | Catalogue id | Group |
| 2 | RH | | 20007 | 826 |
| 3 | | | Illustr. No | Section |
| 4 | | | 1004577 | 110 |
| 5 | | | Issue | Page |
| | | | VOE 63D9920007 | 659 |

VOLVO

L90E



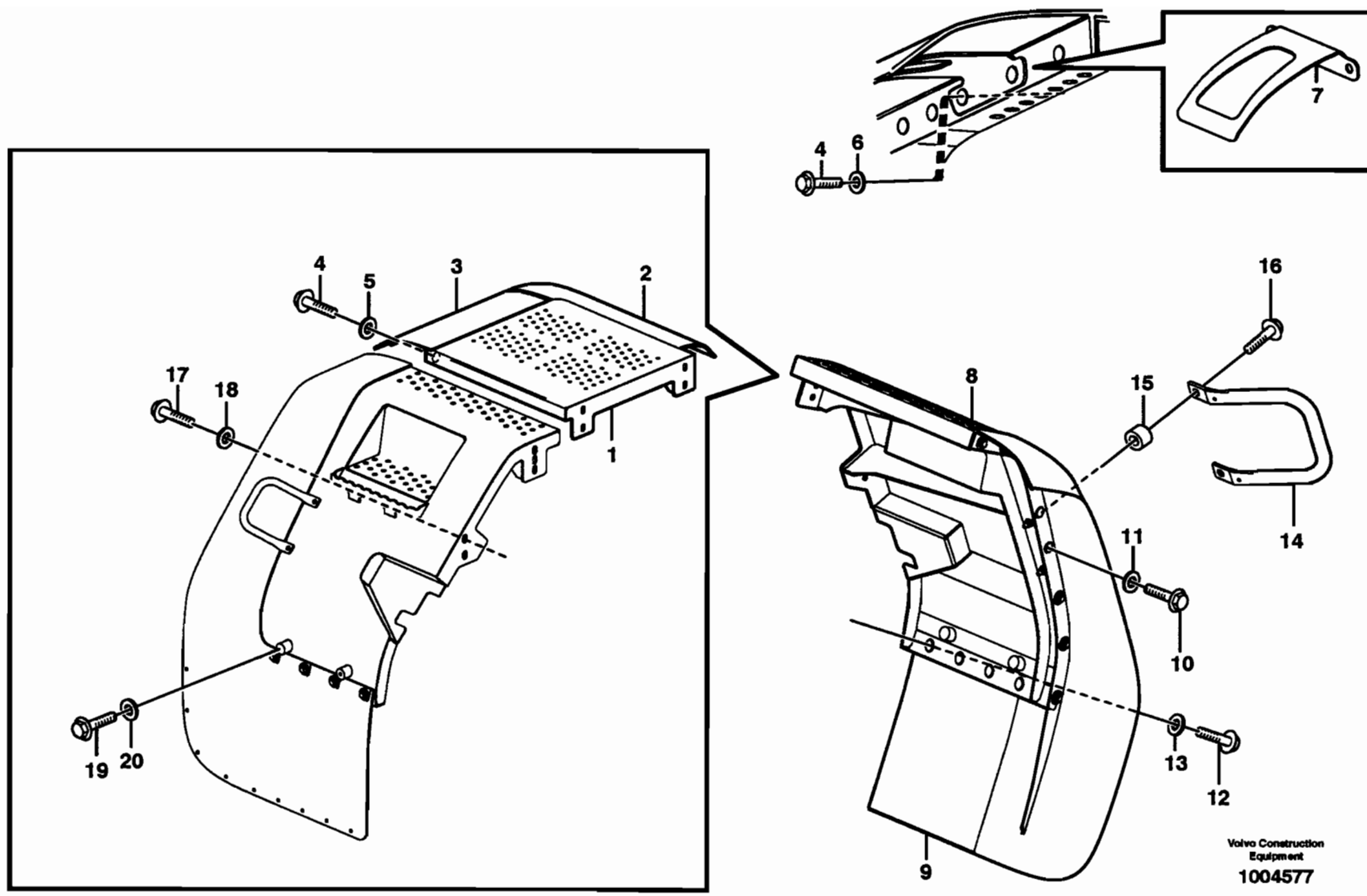
Volvo Construction
Equipment
1004577

| Fig. | Part No. | Quantity | | | | | P S | K I T | Description | Dénomination | Bezeichnung | Denominación | Benämning | Notes |
|------|--------------|----------|---|---|---|---|--------|--------------|----------------|---------------|----------------|--------------|-----------|-------|
| | | 1 | 2 | 3 | 4 | 5 | | | | | | | | |
| 20 | VOE 13960143 | 2 | 2 | | | | | Washer | Rondelle | Scheibe | Arandela | Bricka | | |

| | | | | |
|---|----|---|----------------|------------|
| 1 | LH | Stänkskärm, bak Guardabarros, trasero Kotflügel, hinten Aile, AR Fender, rear SER NO 20005 -, SER NO 66001 - USA, SER NO 70801 - BRA | Catalogue id | Group |
| 2 | RH | | 20007 | 826 |
| 3 | | | Illustr. No | Section |
| 4 | | | 1004577 | 110 |
| 5 | | | Issue | Page |
| | | | VOE 63D9920007 | 661 |

VOLVO

L90E

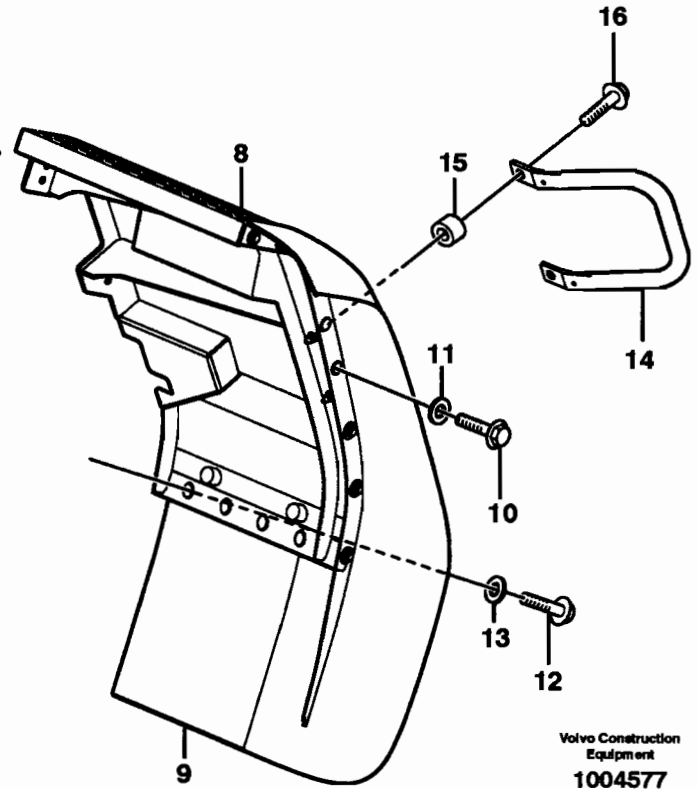
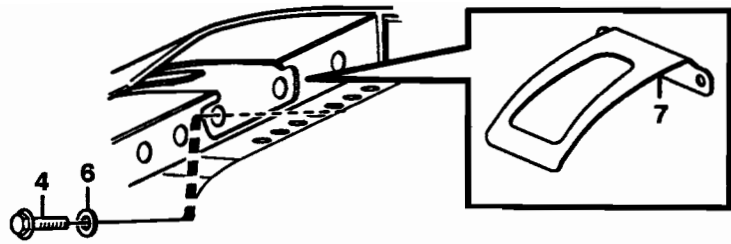
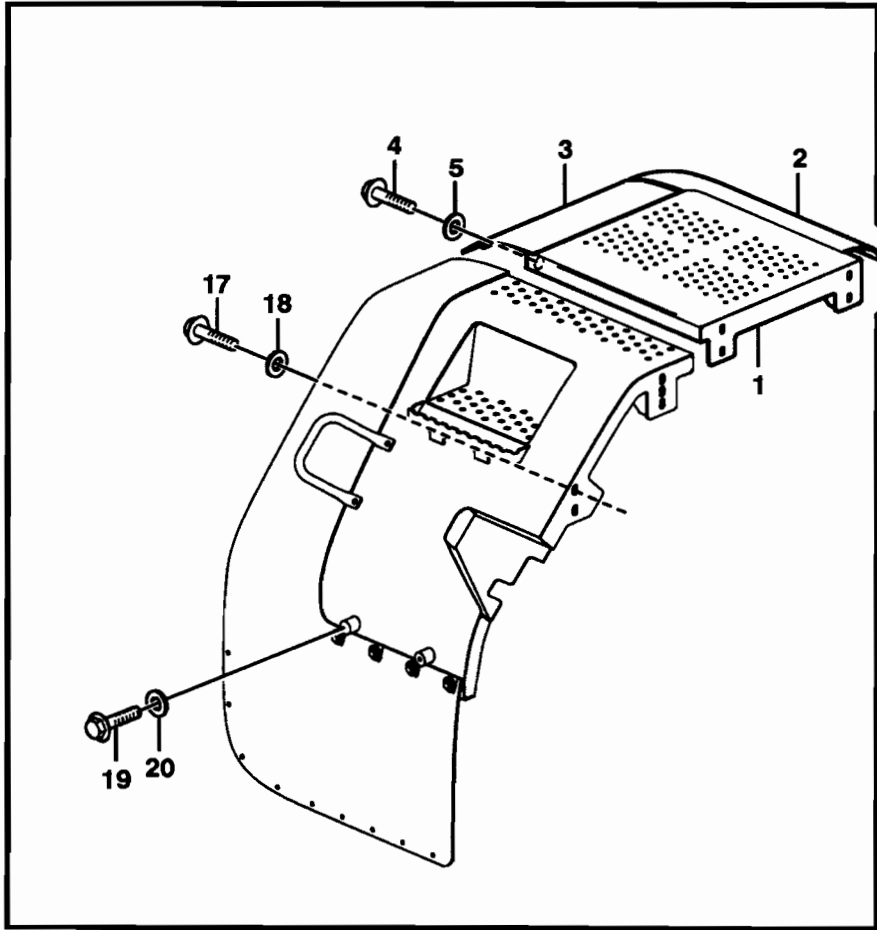


| Fig. | Part No. | Quantity | | | | | P S | K I T | Description | Dénomination | Bezeichnung | Denominación | Benämning | Notes |
|------|--------------|----------|---|---|---|---|--------|---------------------|------------------------|------------------------|------------------------|----------------------|-----------|-------|
| | | 1 | 2 | 3 | 4 | 5 | | | | | | | | |
| | VOE 11413233 | 1 | | | | | | Rear fender..... | Aile ar | Hinterkotflügel..... | Guardabarro pos | Bakskärm..... | | |
| | VOE 11413232 | | 1 | | | | | Rear fender..... | Aile ar | Hinterkotflügel..... | Guardabarro pos | Bakskärm..... | | |
| 1 | VOE 11413023 | 1 | | | | | | •Rear fender | •Aile AR | •Hinterkotflügel..... | •Guardabarro pos | •Bakskärm..... | | |
| | VOE 11413022 | | 1 | | | | | •Rear fender | •Aile AR | •Hinterkotflügel..... | •Guardabarro pos | •Bakskärm..... | | |
| 2 | VOE 11174767 | 1 | | | | | | •Fender flare | •Elargisseur Ail | •Kotflügelansatz | •Guard reforzado | •Skärmbreddare..... | | |
| | VOE 11174763 | | 1 | | | | | ••Fender flare..... | ••Elargisseur Ail..... | ••Kotflügelansatz..... | ••Guard reforzado..... | ••Skärmbreddare..... | | |
| | VOE 11174768 | | 1 | | | | | •Fender flare | •Elargisseur Ail | •Kotflügelansatz | •Guard reforzado | •Skärmbreddare..... | | |
| | VOE 11174764 | | 1 | | | | | ••Fender flare..... | ••Elargisseur Ail..... | ••Kotflügelansatz..... | ••Guard reforzado..... | ••Skärmbreddare..... | | |
| 3 | VOE 11413776 | 1 | | | | | | •Fender flare | •Elargisseur Ail | •Kotflügelansatz | •Guard reforzado | •Skärmbreddare..... | | |
| | VOE 11413775 | | 1 | | | | | •Fender flare | •Elargisseur Ail | •Kotflügelansatz | •Guard reforzado | •Skärmbreddare..... | | |
| 4 | VOE 946472 | 9 | 9 | | | | | •Flange screw | •Vis à bride | •Flanschschraube | •Torn embridado..... | •Flänsskruv..... | | |
| 5 | VOE 13960145 | 7 | 7 | | | | | •Washer | •Rondelle | •Scheibe..... | •Arandela..... | •Bricka..... | | |
| 6 | VOE 13960143 | 2 | 2 | | | | | •Washer | •Rondelle | •Scheibe..... | •Arandela..... | •Bricka..... | | |
| 7 | VOE 11400605 | 1 | 1 | | | | | •Backing plate..... | •Tole support | •Stützblech..... | •Chapa apoyo..... | •Stödplåt..... | | |
| | VOE 11400141 | 1 | | | | | | Rear fender..... | Aile AR | Hinterkotflügel..... | Guardabarro pos | Bakskärm..... | | |
| | VOE 11400140 | | 1 | | | | | Rear fender..... | Aile AR | Hinterkotflügel..... | Guardabarro pos | Bakskärm..... | | |
| 8 | VOE 11400129 | 1 | | | | | | •Rear fender | •Aile AR | •Hinterkotflügel..... | •Guardabarro pos | •Bakskärm..... | | |
| | VOE 11400128 | | 1 | | | | | •Rear fender | •Aile AR | •Hinterkotflügel..... | •Guardabarro pos | •Bakskärm..... | | |
| 9 | VOE 11174774 | 1 | | | | | | •Fender flare | •Elargisseur Ail | •Kotflügelansatz | •Guard reforzado | •Skärmbreddare..... | | |
| | VOE 11174773 | | 1 | | | | | •Fender flare | •Elargisseur Ail | •Kotflügelansatz | •Guard reforzado | •Skärmbreddare..... | | |
| 10 | VOE 946472 | 7 | 7 | | | | | •Flange screw | •Vis à bride | •Flanschschraube | •Torn embridado..... | •Flänsskruv..... | | |
| 11 | VOE 13960145 | 7 | 7 | | | | | •Washer | •Rondelle | •Scheibe..... | •Arandela..... | •Bricka..... | | |
| 12 | VOE 946329 | 3 | 3 | | | | | •Flange screw | •Vis à bride | •Flanschschraube | •Torn embridado..... | •Flänsskruv..... | | |
| 13 | VOE 13960145 | 3 | 3 | | | | | •Washer | •Rondelle | •Scheibe..... | •Arandela..... | •Bricka..... | | |
| 14 | VOE 11175869 | 1 | 1 | | | | | •Handle | •Poignee | •Griff..... | •Mango | •Handtag..... | | |
| 15 | VOE 4859489 | 2 | 2 | | | | | •Spacer Washer..... | •Rond.entretoise..... | •Abstandscheibe..... | •Arandela Dist..... | •Distansbricka..... | | |
| 16 | VOE 946472 | 2 | 2 | | | | | •Flange screw | •Vis à bride | •Flanschschraube | •Torn embridado..... | •Flänsskruv..... | | |
| 17 | VOE 13965193 | 7 | 7 | | | | | Screw..... | Vis | Schraube | Tornillo..... | Skruv..... | | |
| 18 | VOE 13960145 | 7 | 7 | | | | | Washer | Rondelle | Scheibe | Arandela | Bricka..... | | |
| 19 | VOE 946329 | 2 | 2 | | | | | Flange screw | Vis à bride | Flanschschraube | Torn embridado | Flänsskruv..... | | |

| | | | | |
|---|----|--|-----------------------|------------|
| 1 | LH | Stänkskärm, bak Guardabarros, trasero Kotflügel, hinten Aile, AR Fender, rear OPEN ROPS | Catalogue id | Group |
| 2 | RH | | 20007 | 826 |
| 3 | | | Illustr. No | Section |
| 4 | | | 1004577 | 120 |
| 5 | | | Issue | Page |
| | | | VOE 63D9920007 | 663 |

VOLVO

L90E



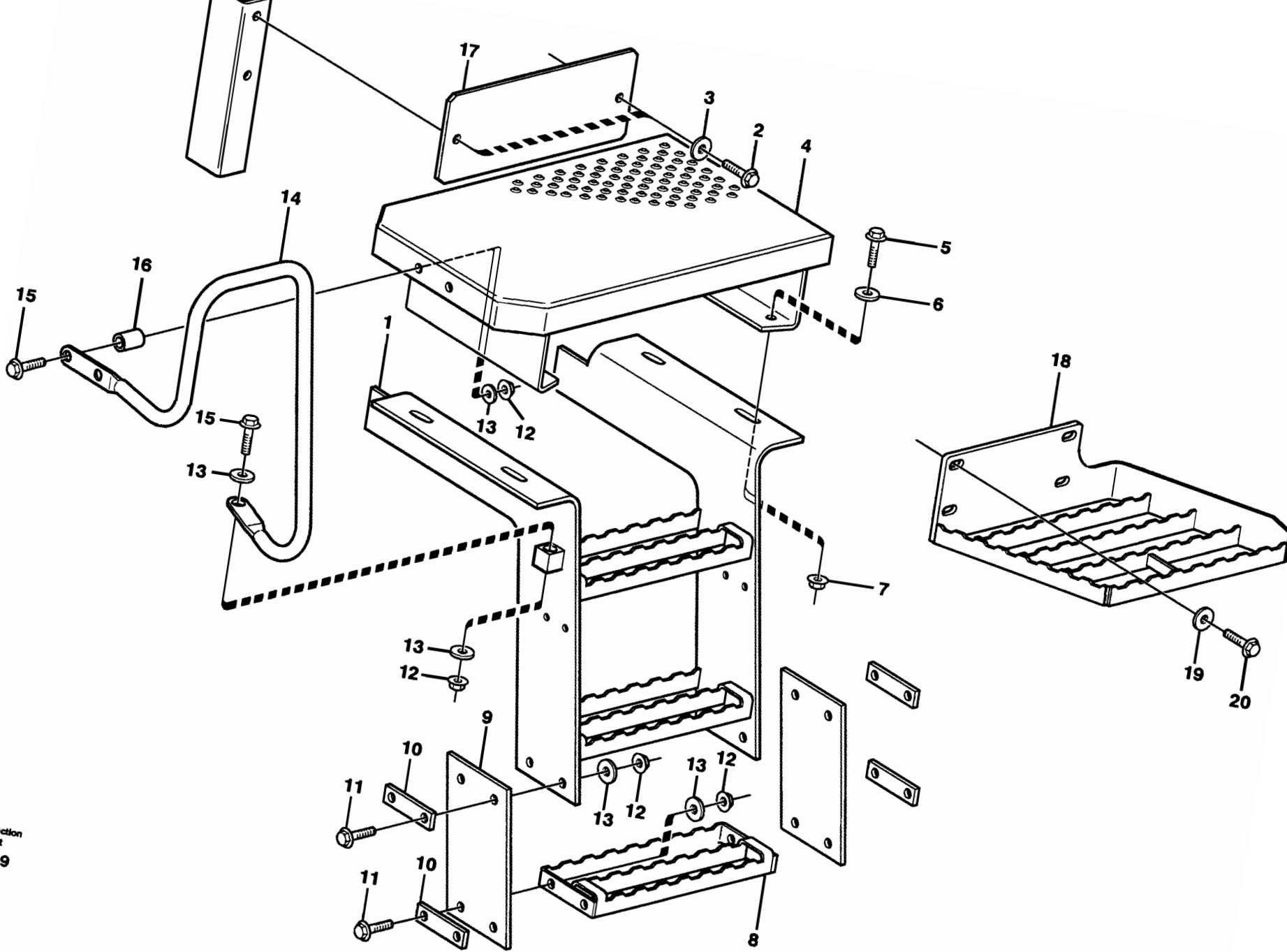
Volvo Construction
Equipment
1004577

| Fig. | Part No. | Quantity | | | | | P S | K I T | Description | Dénomination | Bezeichnung | Denominación | Benämning | Notes |
|------|--------------|----------|---|---|---|---|--------|--------------|----------------|---------------|----------------|--------------|-----------|-------|
| | | 1 | 2 | 3 | 4 | 5 | | | | | | | | |
| 20 | VOE 13960143 | | 2 | 2 | | | | Washer | Rondelle | Scheibe | Arandela | Bricka..... | | |

| | | | | |
|---|----|--|----------------|------------|
| 1 | LH | Stänkskärm, bak Guardabarros, trasero Kotflügel, hinten Aile, AR Fender, rear OPEN ROPS | Catalogue id | Group |
| 2 | RH | | 20007 | 826 |
| 3 | | | Illustr. No | Section |
| 4 | | | 1004577 | 120 |
| 5 | | | Issue | Page |
| | | | VOE 63D9920007 | 665 |

VOLVO

L90E



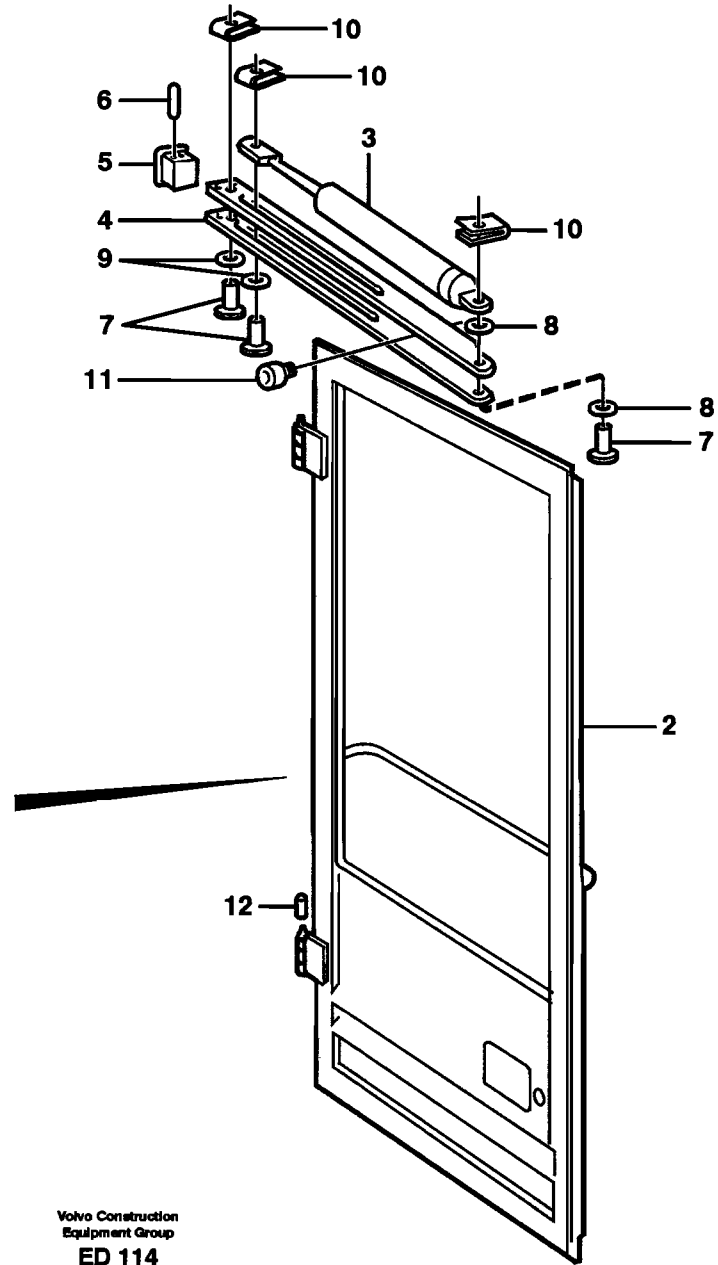
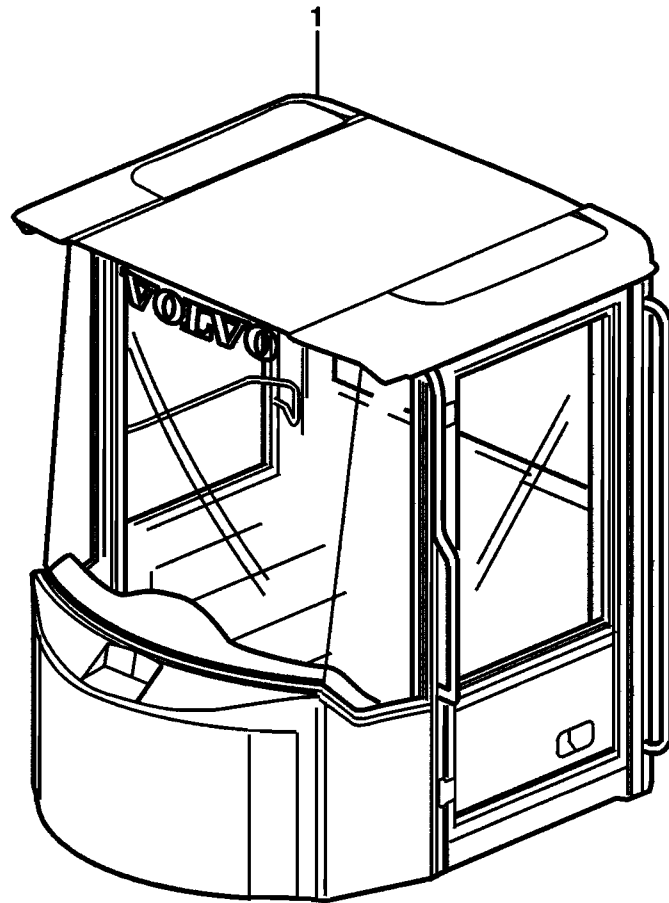
Volvo Construction
Equipment
1002409

| Fig. | Part No. | Quantity | | | P S | K I T | Description | Dénomination | Bezeichnung | Denominación | Benämning | Notes |
|------|--------------|----------|---|---|--------|-----------------------|-------------------------|----------------------|---------------------------|---------------------|-----------|-------|
| | | 1 | 2 | 3 | | | | | | | | |
| 1 | VOE 11174000 | 2 | | | | Stairs..... | Escalier..... | Treppe..... | Escalera..... | Trappa..... | | |
| 2 | VOE 13965189 | 8 | | | | Flange screw..... | Vis a bride..... | Flanschschraube..... | Torn embridado..... | Flänsskruv..... | | |
| 3 | VOE 13960143 | 8 | | | | Washer..... | Rondelle..... | Scheibe..... | Arandela..... | Bricka..... | | |
| 4 | VOE 11175923 | 2 | | | | Platform..... | Plate-forme..... | Plattform..... | Plataforma..... | Plattform..... | | |
| 5 | VOE 946472 | 8 | | | | Flange screw..... | Vis à bride..... | Flanschschraube..... | Torn embridado..... | Flänsskruv..... | | |
| 6 | VOE 13960143 | 16 | | | | Washer..... | Rondelle..... | Scheibe..... | Arandela..... | Bricka..... | | |
| 7 | VOE 13971098 | 8 | | | | Flange nut..... | Ecrou accouple..... | Bundmutter..... | Tuerca embridad..... | Flänsmutter..... | | |
| 8 | VOE 11130990 | 2 | | | | Foot Step..... | Marchepied..... | Trittlech..... | Estribo de coche..... | Fotsteg..... | | |
| 9 | VOE 11147595 | 4 | | | | End plate..... | Flasque..... | Stirnwand..... | Extremo..... | Gavel..... | | |
| 10 | VOE 11148718 | 8 | | | | Plate..... | Plaque..... | Platte..... | Placa..... | Platta..... | | |
| 11 | VOE 13947760 | 22 | | | | Flange screw..... | Vis à bride..... | Flanschschraube..... | Torn embridado..... | Flänsskruv..... | | |
| 12 | VOE 948645 | 24 | | | | Flange Lock Nut..... | Contre écrou bride..... | Flanschmutter..... | Contratuer Embr..... | Flänslåsmutter..... | | |
| 13 | VOE 13960141 | 12 | | | | Washer..... | Rondelle..... | Scheibe..... | Arandela..... | Bricka..... | | |
| 14 | VOE 11174954 | 1 | | | | Handle..... | Poignee..... | Griff..... | Mango..... | Handtag..... | RH | |
| | VOE 11174143 | 1 | | | | Handle..... | Poignee..... | Griff..... | Mango..... | Handtag..... | LH | |
| 15 | VOE 13965179 | 6 | | | | Flange screw..... | Vis à bride..... | Flanschschraube..... | Torn embridado..... | Flänsskruv..... | | |
| 16 | VOE 11175803 | 4 | | | | Spacer Sleeve..... | Doui.entretoise..... | Distanzhülse..... | Manguito Dist..... | Distanshylsa..... | | |
| 17 | VOE 11175928 | 1 | | | | Protecting plate..... | Tole protection..... | Schutzblech..... | Placa proteccion..... | Skyddsplåt..... | | |
| 18 | VOE 11174469 | 1 | | | | Platform..... | Plate-forme..... | Plattform..... | Plataforma..... | Plattform..... | RH | |
| | VOE 11174470 | 1 | | | | Platform..... | Plate-forme..... | Plattform..... | Plataforma..... | Plattform..... | LH | |
| 19 | VOE 11108672 | 8 | | | | Spacer..... | Entretoise..... | Abstandstueck..... | Casquillo distanciad..... | Distans..... | | |
| 20 | VOE 968297 | 8 | | | | Flange screw..... | Vis à bride..... | Flanschschraube..... | Torn embridado..... | Flänsskruv..... | | |

| | | | | |
|---|--|-------------------|----------------|---------|
| 1 | | Fotsteg | Catalogue id | Group |
| 2 | | Escalón de acceso | 20007 | 827 |
| 3 | | Trittleiter | Illustr. No | Section |
| 4 | | Marche-pied | 1002409 | 100 |
| 5 | | Foot step | Issue | Page |
| | | STD, OPEN ROPS | VOE 63D9920007 | 667 |

VOLVO

L90E



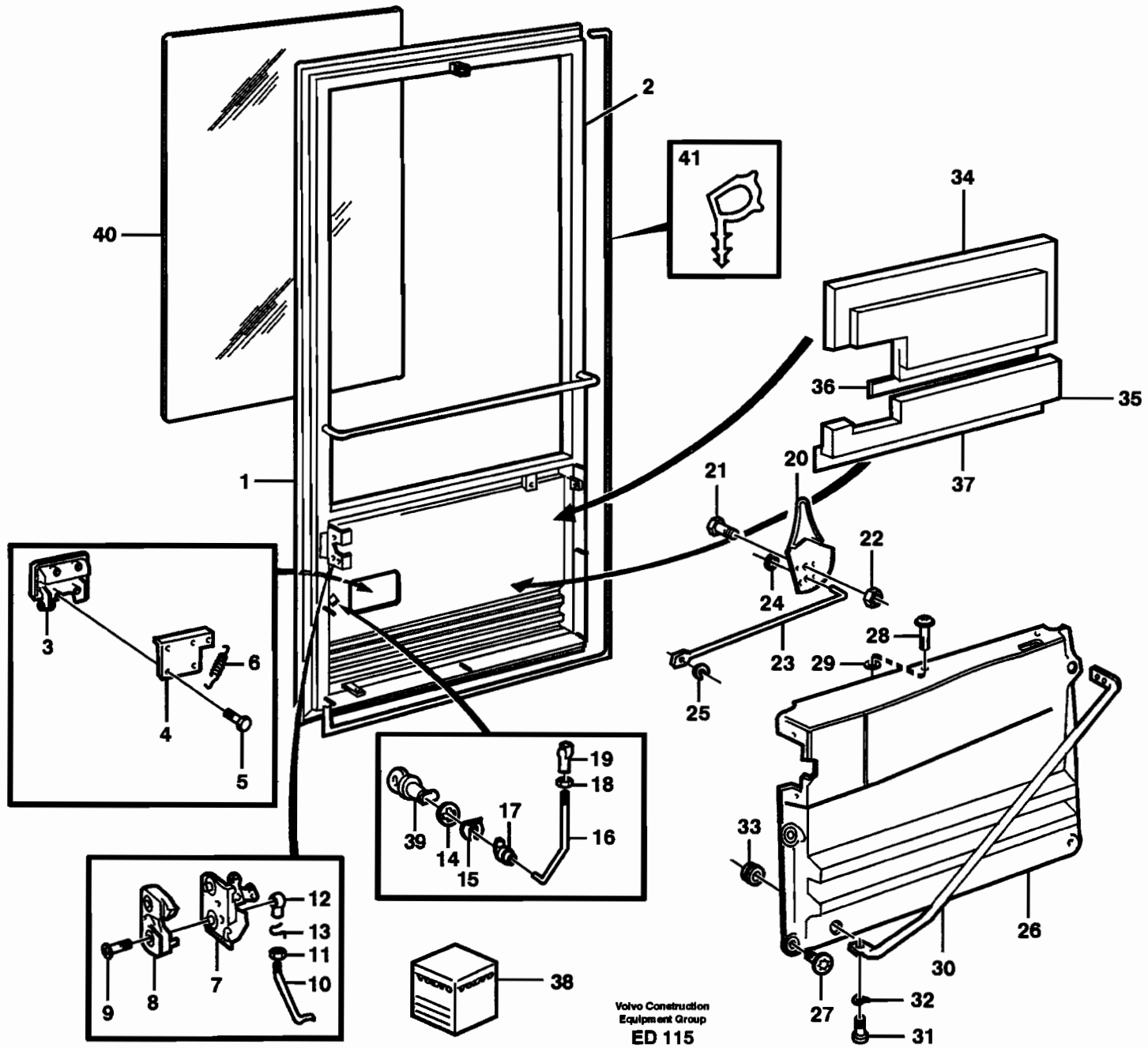
Volvo Construction
Equipment Group
ED 114

| Fig. | Part No. | Quantity | | | P S | K I T | Description | Dénomination | Bezeichnung | Denominación | Benämning | Notes |
|------|--------------|----------|---|---|--------|---------------------|--------------------------|------------------------|-----------------------|--------------------|-------------------------|-------|
| | | 1 | 2 | 3 | | | | | | | | |
| 1 | | 1 | | | NS | Cab Framework | Carcasse Cabine | Fahrerhausgerippe..... | Amazon Cabine | Hyttstomme..... | See group 810, Page 615 | |
| 2 | | 1 | | | SE | •Door..... | •Porte | •Tür..... | •Puerta | •Dörr..... | See group 831, Page 671 | |
| 3 | VOE 11006826 | 1 | | | | Gas Spring..... | Ressort Gaz | Gasfeder | Resorte A Gas..... | Gasfjäder..... | | |
| 4 | VOE 11006706 | 1 | | | | Door Stop..... | Cale-porte | Turhalter..... | Tope Puerta | Dörrstopp..... | | |
| 5 | VOE 11005947 | 1 | | | | End Piece..... | Flasque | Stirnwandteil..... | Pieza Extremo..... | Gavelstycke..... | | |
| 6 | VOE 13951967 | 2 | | | | Spring Pin | Axe de ressort..... | Federstift | Pasador Resorte | Fjäderpinne..... | | |
| 7 | VOE 942290 | 3 | | | | Rtng Ring Bolt..... | Boulon Sill Bag..... | Sich.bolzen..... | Perno Circlip..... | Spårringsbult..... | | |
| 8 | VOE 13947757 | 2 | | | | Washer..... | Rondelle..... | Scheibe | Arandela..... | Bricka..... | 8.4 x 16 MM | |
| 9 | VOE 13962658 | 2 | | | | Washer..... | Rondelle..... | Scheibe | Arandela..... | Bricka..... | 8.1 x 18 MM | |
| 10 | VOE 13969158 | 3 | | | | Lock brace | Etrier de verrouillage.. | Sperrklinke | Brazo Seguridad | Låsbygel..... | | |
| 11 | VOE 667751 | 2 | | | | Buffer | Butoir..... | Puffer..... | Parachoques | Buffert..... | | |
| 12 | VOE 11104749 | 6 | | | | Ptct Cover | Couver.protect. | Schutzdeckel..... | Tapa Proteccion | Skyddslock..... | | |

| | | | | |
|---|--|--|----------------|------------|
| 1 | | Dörr med monteringsdetaljer Puerta con accesorios de montaje Tür mit Anbauteilen Porte avec pièces de montage Door with fitting parts | Catalogue id | Group |
| 2 | | | 20007 | 831 |
| 3 | | | Illustr. No | Section |
| 4 | | | ED114 | 100 |
| 5 | | | Issue | Page |
| | | | VOE 63D9920007 | 669 |

VOLVO

L90E



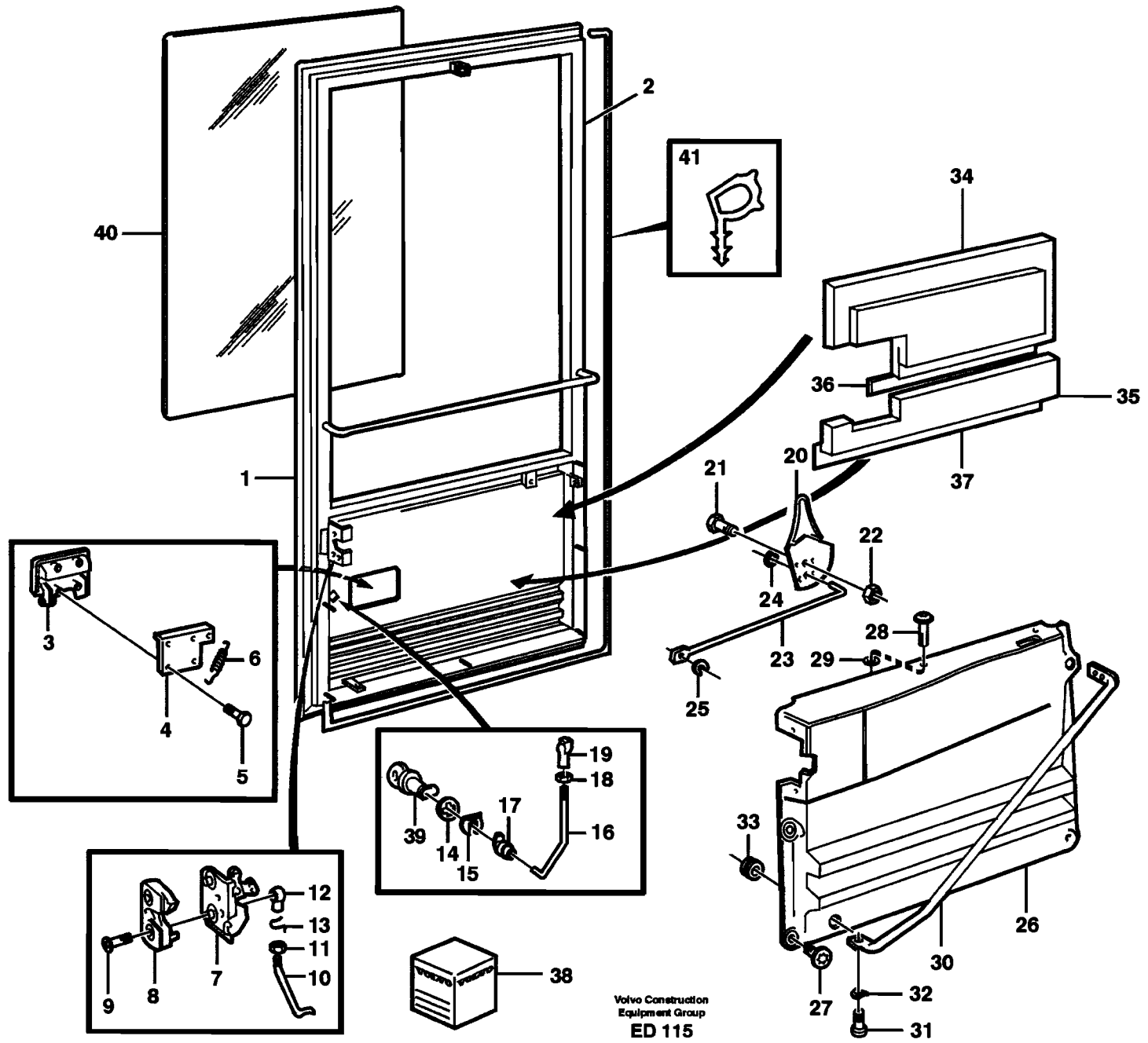
Volvo Construction
 Equipment Group
 ED 115

| Fig. | Part No. | Quantity | | | P S | K I T | Description | Dénomination | Bezeichnung | Denominación | Benämning | Notes |
|------|--------------|----------|---|---|--------|-------------|-----------------------|-------------------------------|-------------------------|-----------------------------|-------------------------|----------------|
| | | 1 | 2 | 3 | | | | | | | | |
| 1 | VOE 11706864 | 1 | | | | | Door | Porte | Tür | Puerta | Dörr | |
| 2 | VOE 11006738 | 2 | | | | | ••Hinge | ••Charniere | ••Scharnier | ••Bisagra | ••Gångjärn | |
| | VOE 11708215 | 2 | | | | | •••Hinge Pin | •••Axe Charniere | •••Scharnierstift | •••Pasador Bisagra | •••Gångjärnspinne | |
| 3 | VOE 1614564 | 1 | | | | | •Door Handle | •Poignée de porte | •Türdrücker | •Empunadura de pue | •Dörrhandtag | |
| 4 | VOE 11006886 | 1 | | | | | •Attachment | •Fixation | •Halterung | •Fijacion | •Fäste | |
| 5 | VOE 971321 | 4 | | | | | •Screw | •Vis | •Schraube | •Tornillo | •Skruv | |
| 6 | VOE 1614562 | 1 | | | | | •Tension Spring | •Ressort de traction | •Zugfeder | •Muelle traccion | •Dragfjäder | |
| 7 | VOE 1610882 | 1 | | | | | •Door Lock | •Serrure Porte | •Türschloss | •Cerradura Puert | •Dörrlås | |
| 8 | VOE 11006991 | 1 | | | | | •Lock | •Serrure | •Schloss | •Cierre | •Lås | |
| 9 | VOE 969373 | 2 | | | | | •6-pt skt screw | •Vis creuse de 6 | •Hohlschraube | •Racor 6-dientes | •Sextandhålskruv | |
| 10 | VOE 11104463 | 1 | | | | | •Link Rod | •Tige Articulee | •Gelenkstange | •Varilla Articul | •Länkstång | |
| 11 | VOE 955780 | 1 | | | | | •Hexagon Nut | •Ecrou Hexagonal | •Sechskantmutter | •Tuerca Hexagon | •Sexkantsmutter | |
| 12 | VOE 959088 | 1 | | | | | •Ball Seat | •Siege Bille | •Kugelpfanne | •Asiento Bolas | •Kulskål | |
| 13 | VOE 13959093 | 1 | | | | | •Safety Brace | •Etrier Securite | •Sicherungsbugel | •Brida Seguridad | •Säkringsbygel | |
| 14 | VOE 1355535 | 1 | | | | | •Gasket | •Joint | •Dichtung | •Junta | •Packning | E PROD |
| 15 | VOE 1580443 | 1 | | | | | •Clip | •Clip | •Klemme | •Clip | •Clips | |
| 16 | VOE 11104464 | 1 | | | | | •Link Rod | •Tige Articulee | •Gelenkstange | •Varilla Articul | •Länkstång | |
| 17 | VOE 1334720 | 1 | | | | | •Clip | •Clip | •Klemme | •Clip | •Clips | |
| 18 | VOE 955779 | 1 | | | | | •Hexagon Nut | •Ecrou Hexagonal | •Sechskantmutter | •Tuerca Hexagon | •Sexkantsmutter | |
| 19 | VOE 1592290 | 1 | | | | | •Ball Seat | •Siege Bille | •Kugelpfanne | •Asiento Bolas | •Kulskål | |
| 20 | VOE 11164653 | 1 | | | | | •Control | •Commande | •Regelung | •Mando | •Reglage | (VOE 11006410) |
| 21 | VOE 946329 | 1 | | | | | •Flange screw | •Vis à bride | •Flanschschraube | •Torn embridado | •Flänsskruv | |
| 22 | VOE 13971098 | 1 | | | | | •Flange nut | •Ecrou accouple | •Bundmutter | •Tuerca embridad | •Flänsmutter | |
| 23 | VOE 11006888 | 1 | | | | | •Rod | •Tige | •Stange | •Barra | •Stång | |
| 24 | VOE 191695 | 1 | | | | | •Retainer | •Retenue | •Halter | •Soporte | •Hållare | |
| 25 | VOE 968841 | 1 | | | | | •Lock brace | •Etrier de verrouillage | •Sperklinke | •Brazo Seguridad | •Låsbygel | |
| 26 | VOE 11104740 | 1 | | | | | •Door Panel | •Panneau Porte | •Turverkleidung | •Panel Puerta | •Dörrpanel | L PROD |
| 27 | VOE 972079 | 6 | | | | | •Screw | •Vis | •Schraube | •Tornillo | •Skruv | |
| 28 | VOE 972079 | 5 | | | | | •Screw | •Vis | •Schraube | •Tornillo | •Skruv | |
| 29 | VOE 11104551 | 3 | | | | | •Spacer | •Entretoise | •Abstandstueck | •Casquillo distanciad | •Distans | |

| | | | | |
|---|--|---|-----------------------|------------|
| 1 | | Dörr Puerta Tür Porte Door | Catalogue id | Group |
| 2 | | | 20007 | 831 |
| 3 | | | Illustr. No | Section |
| 4 | | | ED115 | 150 |
| 5 | | | Issue | Page |
| | | | VOE 63D9920007 | 671 |

VOLVO

L90E



Volvo Construction
 Equipment Group
 ED 115



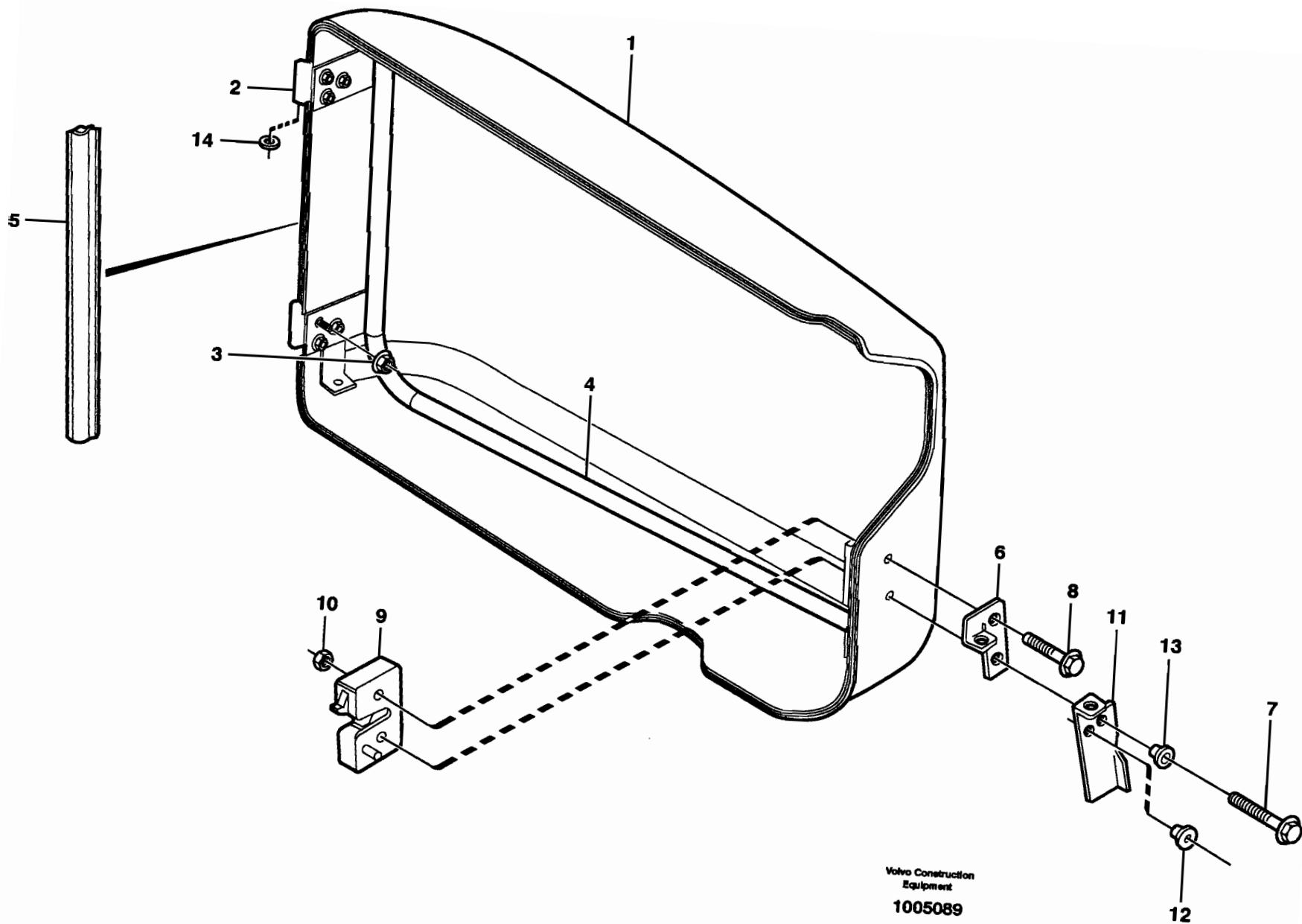
| Fig. | Part No. | Quantity | | | P S | K T | Description | Dénomination | Bezeichnung | Denominación | Benämning | Notes |
|------|--------------|----------|---|---|--------|--------|-----------------------|---------------------------|------------------------|--------------------------|----------------------|-------------------------|
| | | 1 | 2 | 3 | | | | | | | | |
| 30 | VOE 11104685 | 1 | | | | | •Handle | •Poignee..... | •Griff | •Mango | •Handtag..... | |
| 31 | VOE 959220 | 3 | | | | | •Allen Hd Screw | •Vis A 6 Pans Cr | •Inbusschraube | •Torn Hex Embut..... | •Insexskruv..... | |
| 32 | VOE 13941907 | 3 | | | | | •Spring Washer | •Rondelle élastique | •Federscheibe | •Arandela flexible | •Fjäderbricka..... | |
| 33 | VOE 13961962 | 2 | | | | | •Ptct Bushing | •Bague Protection | •Schutzhülse | •Buje Proteccion..... | •Skyddsbusning..... | |
| 34 | | 1 | | | NS | | •Insulation | •Isolation | •Isolierung | •Aislamiento | •Isolering..... | |
| 35 | | 1 | | | NS | | •Insulation | •Isolation | •Isolierung | •Aislamiento | •Isolering..... | |
| 36 | VOE 11007220 | REQ | | | | | •Tape | •Scotch..... | •Klebeband..... | •Cinta..... | •Tape..... | L=342MM |
| 37 | VOE 11007220 | REQ | | | | | •Tape | •Scotch..... | •Klebeband..... | •Cinta..... | •Tape..... | L=587MM |
| 38 | VOE 11006988 | 1 | | | | | Lock Kit | Kit Serrure..... | Schlossteilsatz | Juego Seguridad | Låssats..... | |
| | VOE 11039226 | 2 | | | | | •Pass Key | •Cle Principale..... | •Hauptschlüssel..... | •Llave Maestra | •Huvudnyckel..... | 3) BL |
| 39 | VOE 3536771 | 1 | | | | | •Lock Kit..... | •Kit Serrure..... | •Schlossteilsatz | •Juego Seguridad..... | •Låssats..... | |
| 40 | | 1 | | | | | Dr window pane | Vitre porte | Turscheibe | Cristal puerta | Dörrfönsterglas..... | See group 843, Page 681 |
| 41 | VOE 11007421 | REQ | | | | | Sealing strip | Lisse etancheite..... | Dichtleiste..... | Moldura reten | Tätninglist..... | L = 4712MM |

3) GB: When ordering, the key No. should be stated. FR: Lors d'une commande, il faut indiquer le numéro de la clé. DE: Bei bestellung muss die Schlüsselnummer angegeben werden. ES: Al pedir debe indicarse el número de la llave. SE: Vid beställning måste nyckeln anges.

| | | | | |
|---|--|---|-----------------------|------------|
| 1 | | Dörr Puerta Tür Porte Door | Catalogue id | Group |
| 2 | | | 20007 | 831 |
| 3 | | | Illustr. No | Section |
| 4 | | | ED115 | 150 |
| 5 | | | Issue | Page |
| | | | VOE 63D9920007 | 673 |

VOLVO

L90E



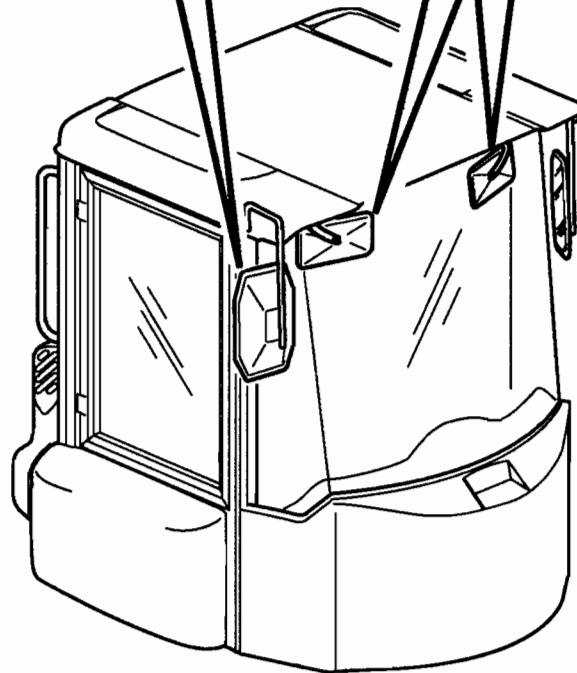
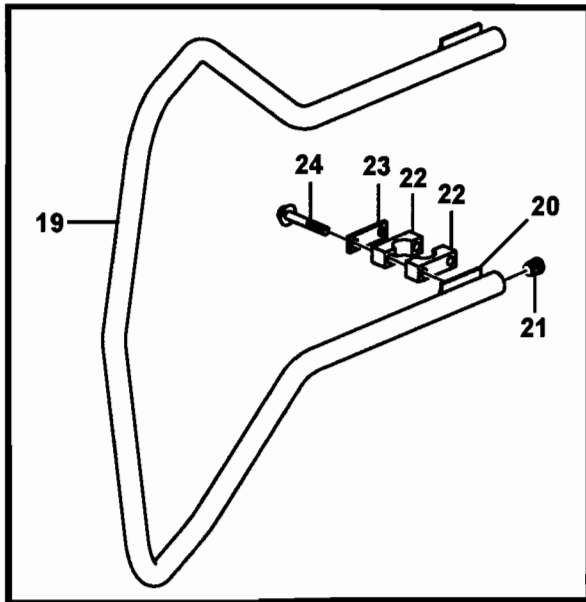
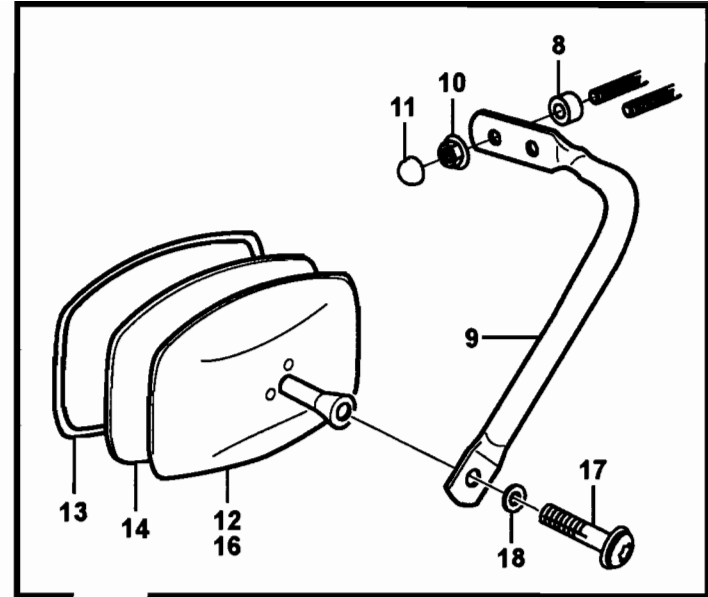
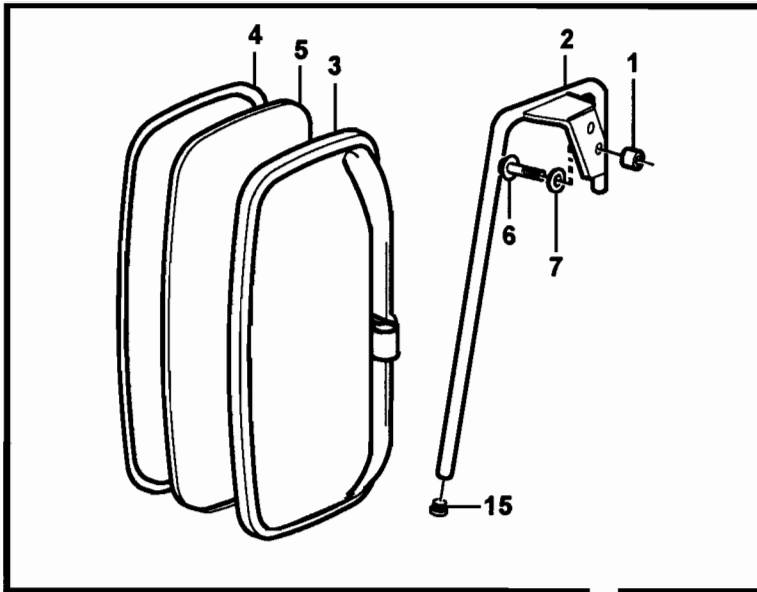
Volvo Construction
Equipment
1005089

| Fig. | Part No. | Quantity | | | P S | K T | Description | Dénomination | Bezeichnung | Denominación | Benämning | Notes |
|------|--------------|----------|---|---|--------|--------|------------------------|---------------------------|----------------------|------------------------|----------------------|--------------|
| | | 1 | 2 | 3 | | | | | | | | |
| 1 | VOE 11104240 | 1 | | | | | Hatch..... | Trappe..... | Luke | Trampilla | Lucka | |
| 2 | VOE 11104523 | 2 | | | | | •Hinge | •Charniere | •Scharnier..... | •Bisagra..... | •Gångjärn..... | |
| 3 | VOE 981447 | 6 | | | | | •Flange Lock Nut | •Contre écrou bride | •Flanschmutter | •Contratuer Embr | •Flänslåsmutter..... | |
| 4 | | 1 | | | NS | | •Tube assembly | •Tuyau..... | •Rohrleitung..... | •Tubo..... | •Rörledning..... | |
| 5 | VOE 11104519 | REQ | | | | | •Sealing strip | •Lisse etancheite..... | •Dichtleiste | •Moldura reten..... | •Tätninglist..... | L=2500MM |
| 6 | VOE 11104610 | 1 | | | | | •Plate | •Tôle..... | •Blech..... | •Chapa | •Plåt..... | |
| 7 | VOE 13965179 | 1 | | | | | •Flange screw | •Vis à bride..... | •Flanschschaube..... | •Torn embridado..... | •Flänsskruv..... | |
| 8 | VOE 947760 | 1 | | | SS | | •Flange screw | •Vis à bride..... | •Flanschschaube..... | •Torn embridado..... | •Flänsskruv..... | |
| 9 | VOE 11006991 | 1 | | | | | •Lock..... | •Serrure..... | •Schloss | •Cierre | •Lås..... | |
| 10 | VOE 948645 | 2 | | | | | •Flange Lock Nut | •Contre écrou bride | •Flanschmutter | •Contratuer Embr | •Flänslåsmutter..... | (VOE 948645) |
| 11 | VOE 11104609 | 1 | | | | | •Handle | •Poignee..... | •Drehgriff | •Mango | •Vred..... | |
| 12 | VOE 1258140 | 1 | | | | | •Sealing Sleeve..... | •Douille Etanche..... | •Dichthülse | •Manguito Reten..... | •Tätningshylsa..... | |
| 13 | VOE 11006944 | 1 | | | | | •Spacer Sleeve | •Doui.entretoise..... | •Distanzhülse | •Manguito Dist | •Distanshylsa..... | |
| 14 | VOE 4936344 | 2 | | | | | Washer..... | Rondelle..... | Scheibe | Arandela..... | Bricka..... | |

| | | | | |
|---|--|---------------------|----------------|---------|
| 1 | | Filterkåpa | Catalogue id | Group |
| 2 | | Tapa de filtro | 20007 | 837 |
| 3 | | Filterdeckel | Illustr. No | Section |
| 4 | | Couvercle de filtre | 1005089 | 200 |
| 5 | | Filter cover | Issue | Page |
| | | | VOE 63D9920007 | 675 |

VOLVO

L90E



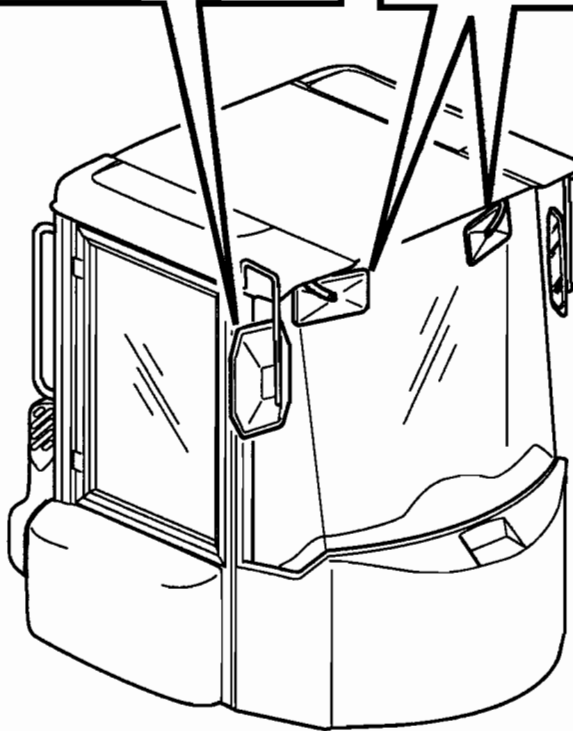
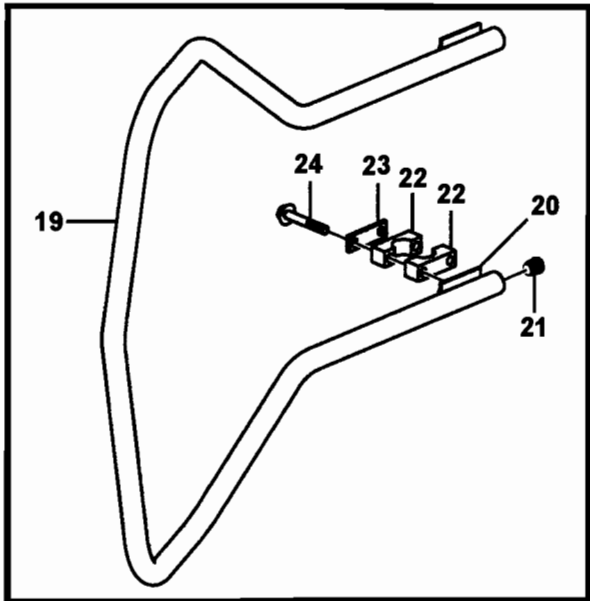
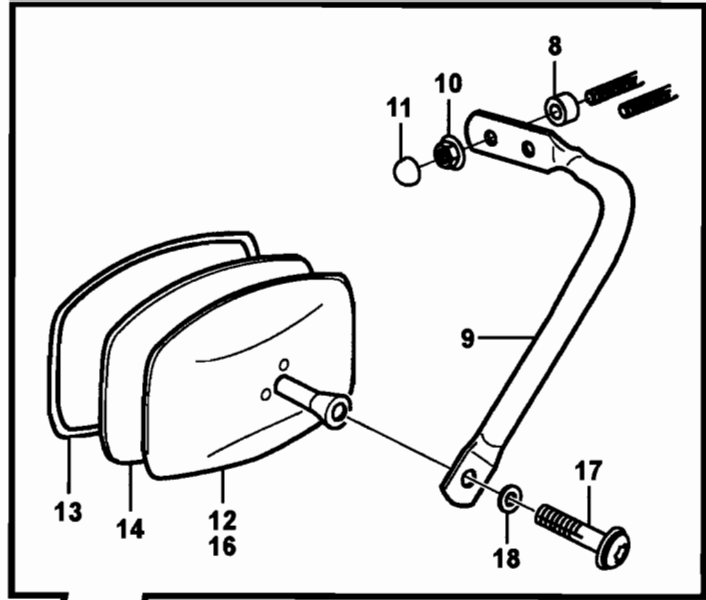
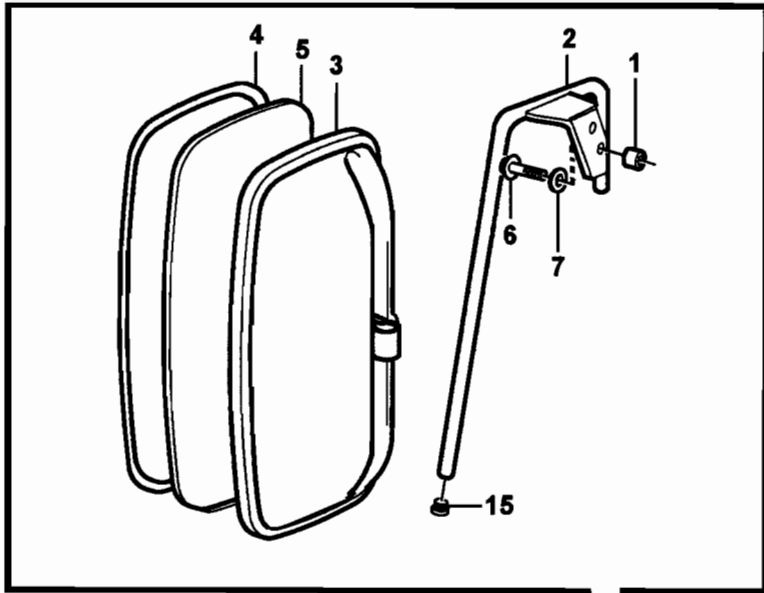
Volvo Construction
Equipment
1015661

| Fig. | Part No. | Quantity | | | P S | K I T | Description | Dénomination | Bezeichnung | Denominación | Benämning | Notes |
|------|--------------|----------|---|---|--------|----------------------|----------------------------|-----------------------|-----------------------------|-------------------|--|-------|
| | | 1 | 2 | 3 | | | | | | | | |
| 1 | VOE 930428 | 4 | | | | Spacer Ring | Bagu.entretoise | Abstandring | Anillo Dist | Distansring | | |
| 2 | VOE 11006421 | 1 | 1 | | | Mirror Arm | Bras Miroir | Spiegelträger | Marco Espejo | Spegelarm | RH | |
| | VOE 11006420 | 1 | 1 | | | Mirror Arm | Bras Miroir | Spiegelträger | Marco Espejo | Spegelarm | LH | |
| 3 | VOE 11121152 | 2 | 2 | | | R V Mirror | Retroviseur | Rückspiegel | Retrovisor | Backspegel | | |
| 4 | VOE 11708944 | 1 | 1 | | | •Frame | •Chassis | •Rahmen | •Bastidor | •Ram | | |
| 5 | VOE 11708945 | 1 | 1 | | | •Lens | •Verre | •Lichtscheibe | •Lente | •Glas | | |
| 6 | VOE 946472 | 4 | | | | Flange screw | Vis à bride | Flanschschraube | Tom embridado | Flänsskruv | | |
| | VOE 946329 | | 4 | | | Flange screw | Vis à bride | Flanschschraube | Tom embridado | Flänsskruv | | |
| 7 | VOE 13960143 | 4 | 4 | | | Washer | Rondelle | Scheibe | Arandela | Bricka | | |
| 8 | VOE 930431 | 4 | 4 | | | Spacer Ring | Bagu.entretoise | Abstandring | Anillo Dist | Distansring | | |
| 9 | VOE 11005984 | 1 | | | | Mirror Arm | Bras Miroir | Spiegelträger | Marco Espejo | Spegelarm | RH, CAB - 1258 CAB - 70816 BRAZIL | |
| | VOE 11006029 | 1 | | | | Mirror Arm | Bras Miroir | Spiegelträger | Marco Espejo | Spegelarm | LH, CAB - 1258 CAB - 70816 BRAZIL | |
| | VOE 11164485 | 2 | | | | Mirror Arm | Bras Miroir | Spiegelträger | Marco Espejo | Spegelarm | CAB 1259 - 1825 CAB 70817 - 70839 BRAZI | |
| | VOE 11005984 | 1 | | | | Mirror Arm | Bras Miroir | Spiegelträger | Marco Espejo | Spegelarm | RH, CAB 1826 - CAB 70840 - BRAZIL | |
| | VOE 11006029 | 1 | | | | Mirror Arm | Bras Miroir | Spiegelträger | Marco Espejo | Spegelarm | LH, CAB 1826 - CAB 70840 - BRAZIL | |
| | VOE 11164485 | | 2 | | | Mirror Arm | Bras Miroir | Spiegelträger | Marco Espejo | Spegelarm | | |
| 10 | VOE 13945408 | 4 | 4 | | | Nut | Ecrou | Mutter | Tuerca | Mutter | | |
| 11 | VOE 11006824 | 4 | 4 | | | Protective cap | Capuchon de protecti | Schutzkappe | Cubierta de protecció | Skyddshatt | | |
| 12 | VOE 11104778 | 2 | | | | Mirror | Miroir | Spiegel | Espejo | Spegel | CAB - 1258 CAB - 70816 BRAZIL | |
| 13 | VOE 11707012 | 1 | | | | •Frame | •Chassis | •Rahmen | •Bastidor | •Ram | | |
| 14 | VOE 11707013 | 1 | | | | •Mirror Glass | •Verre Miroir | •Spiegelglas | •Cristal Espejo | •Spegelglas | | |
| 15 | VOE 11006457 | 4 | 4 | | | Plug | Bouchon | Stopfen | Tapon | Plugg | | |
| 16 | VOE 11164488 | 2 | | | | Mirror | Miroir | Spiegel | Espejo | Spegel | CAB 1259 - CAB 70817 - BRAZIL | |

| | | | | |
|---|-----------|--|----------------|---------|
| 1 | STD | Backspegel Retrovisor Rückspiegel Retroviseur Rear view mirror | Catalogue id | Group |
| 2 | OPEN ROPS | | 20007 | 841 |
| 3 | 80945 | | Illustr. No | Section |
| 4 | | | 1015661 | 100 |
| 5 | | | Issue | Page |
| | | | VOE 63D9920007 | 677 |

VOLVO

L90E



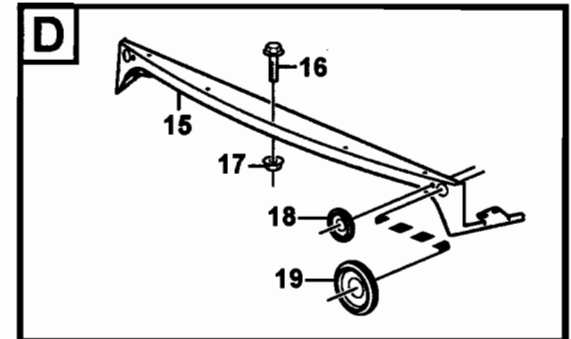
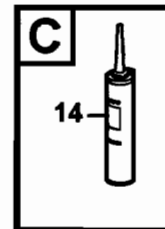
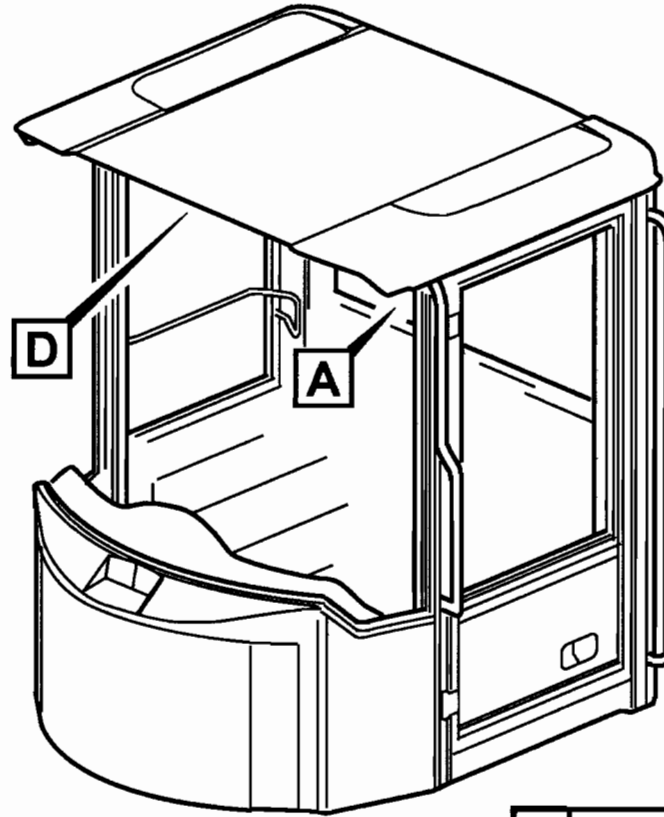
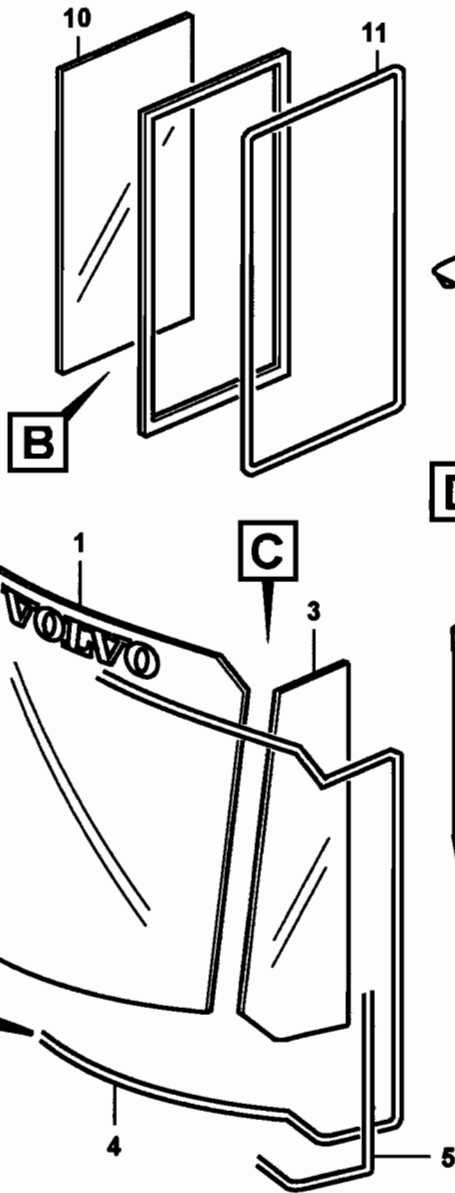
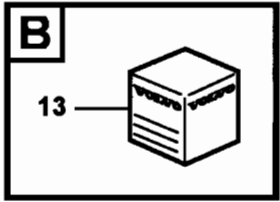
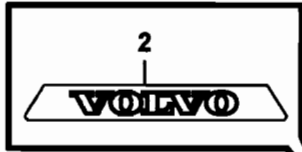
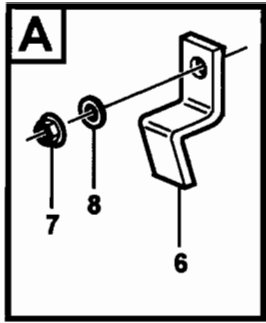
Volvo Construction
Equipment
1015661

| Fig. | Part No. | Quantity | | | P S | K I T | Description | Dénomination | Bezeichnung | Denominación | Benämning | Notes |
|------|---------------------|----------|---|---|--------|-----------------------|-------------------------|--------------------------|----------------------|----------------------|-----------|-------|
| | | 1 | 2 | 3 | | | | | | | | |
| | VOE 11164488 | | 2 | | | Mirror..... | Miroir..... | Spiegel..... | Espejo..... | Spegel..... | | |
| 17 | VOE 969587 | 2 | 2 | | | 6-pt skt screw..... | Vis creuse de 6..... | Hohlschraube..... | Racor 6-dientes..... | Sextandhålskruv..... | | |
| 18 | VOE 960139 | 2 | 2 | | | Washer..... | Rondelle..... | Scheibe..... | Arandela..... | Bricka..... | | |
| 19 | VOE 11164542 | | | 1 | | Mirror Arm..... | Bras Miroir..... | Spiegelträger..... | Marco Espejo..... | Spegelarm..... | | |
| 20 | VOE 4785466 | | | 4 | | •Attaching Plate..... | •Fer Fixation..... | •Befestigungslasche..... | •Plato Fijacion..... | •Fästjärn..... | | |
| 21 | VOE 11006457 | | | 2 | | •Plug..... | •Bouchon..... | •Stopfen..... | •Tapon..... | •Plugg..... | | |
| 22 | VOE 4785461 | | | 2 | | Clamp..... | Pince Serrage..... | Klemme..... | Abrazadera..... | Klämna..... | | |
| 23 | VOE 11003048 | | | 2 | | Cover Plate..... | Protection en tole..... | Schutzblech..... | Placa Tapa..... | Täckplatta..... | | |
| 24 | VOE 13965176 | | | 4 | | Flange screw..... | Vis à bride..... | Flanschschraube..... | Torn embridado..... | Flänsskruv..... | | |

| | | | | |
|---|------------------|--|----------------|------------|
| 1 | STD | Backspeglar Retrovisor Rückspiegel Retroviseur Rear view mirror | Catalogue id | Group |
| 2 | OPEN ROPS | | 20007 | 841 |
| 3 | 80945 | | Illustr. No | Section |
| 4 | | | 1015661 | 100 |
| 5 | | | Issue | Page |
| | | VOE 63D9920007 | 679 | |

VOLVO

L90E



Volvo Construction
Equipment
1016348

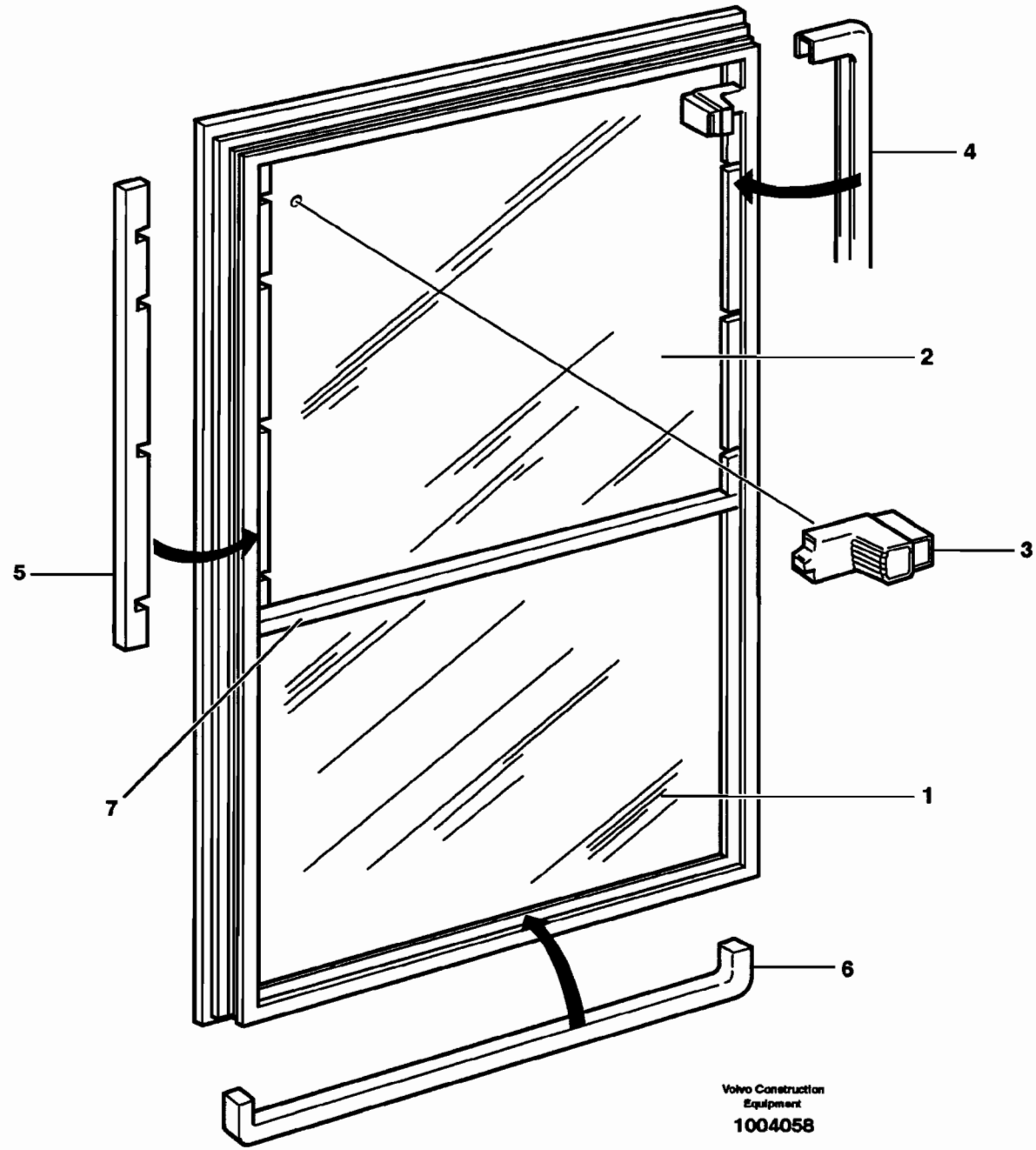
(((((((((

| Fig. | Part No. | Quantity | | | P S | K I T | Description | Dénomination | Bezeichnung | Denominación | Benämning | Notes |
|------|--------------|----------|-----|----|--------|-----------------------|--------------------------|----------------------|-----------------------|----------------------|-------------------------|-------|
| | | 1 | 2 | 3 | | | | | | | | |
| 1 | VOE 11104449 | 1 | 1 | | | Windshield | Pare-brise | Frontscheibe | Parabrisas | Framruta | | |
| 2 | VOE 11007961 | 1 | 1 | | | •Decal | •Decalcomanie | •Abziehbild | •Decalcomania | •Dekal | VOLVO | |
| 3 | VOE 11429056 | 2 | 2 | | | Side Window | Fenetre Lat | Seitenfenster | Ventana Lateral | Sidofönster | | |
| 4 | VOE 11007851 | 1 | 1 | | | Rubber Moulding | Joint Caoutchouc | Gummileiste | Liston Goma | Gummilist | | |
| 5 | VOE 11104040 | REQ | REQ | | | Butyl tape | Scotch butyle | Butyl-kleber | Cinta butilo | Butyltape | L = 2200MM | |
| 6 | VOE 11007828 | 4 | | | | Clip | Clip | Klemme | Clip | Clips | | |
| 7 | VOE 960139 | 4 | | | | Washer | Rondelle | Scheibe | Arandela | Bricka | | |
| 8 | VOE 13945407 | 4 | | | | Nut | Ecrou | Mutter | Tuerca | Mutter | | |
| 9 | VOE 11006478 | 1 | 1 | | | Rear Window | Lunette Ar | Heckfenster | Luneta Post | Bakruta | | |
| 10 | VOE 11104343 | 1 | | | | Window Pane | Vitre Fenetre | Fensterscheibe | Cristal Ventana | Fönsterruta | | |
| 11 | | REQ | | | | Sealing strip | Lisse etancheite | Dichtleiste | Moldura reten | Tättningsring | See group 843, Page 685 | |
| 12 | VOE 11104344 | 1 | | | | Door Window | Cadre De Porte | Türenfenster | Cristal Puerta | Dörruta | | |
| 13 | VOE 11704359 | 3 | 1 | | | Adhesive Kit | Kit Colle | Leimsatz | Juego Encolado | Limsats | | |
| 14 | | REQ | REQ | NS | | Adhesive | Adhesif | Klebstoff | Adhesivo | Lim | | |
| 15 | VOE 11164829 | | 1 | | | Window Frame | Cadre Fenetre | Fensterrahmen | Marco Ventana | Fönsterram | | |
| 16 | VOE 971321 | | 5 | | | Screw | Vis | Schraube | Tornillo | Skruv | | |
| 17 | VOE 13949278 | | 5 | | | Flange Lock Nut | Contre écrou bride | Flanschmutter | Contratuer Embr | Flänslåsmutter | | |
| 18 | VOE 941266 | 2 | | | | Plug | Bouchon | Stopfen | Tapon | Plugg | | |
| 19 | VOE 961970 | 1 | | | | Plug | Bouchon | Stopfen | Tapon | Plugg | | |

| | | | | |
|---|-------|---|--------------|---------|
| 1 | STD | Rutor Ventanillas Fensterscheibe Vitres Glass panes | Catalogue id | Group |
| 2 | 82790 | | 20007 | 843 |
| 3 | | | Illustr. No | Section |
| 4 | | | 1016348 | 100 |
| 5 | | | Issue | Page |
| | | VOE 63D9920007 | 681 | |

VOLVO

L90E



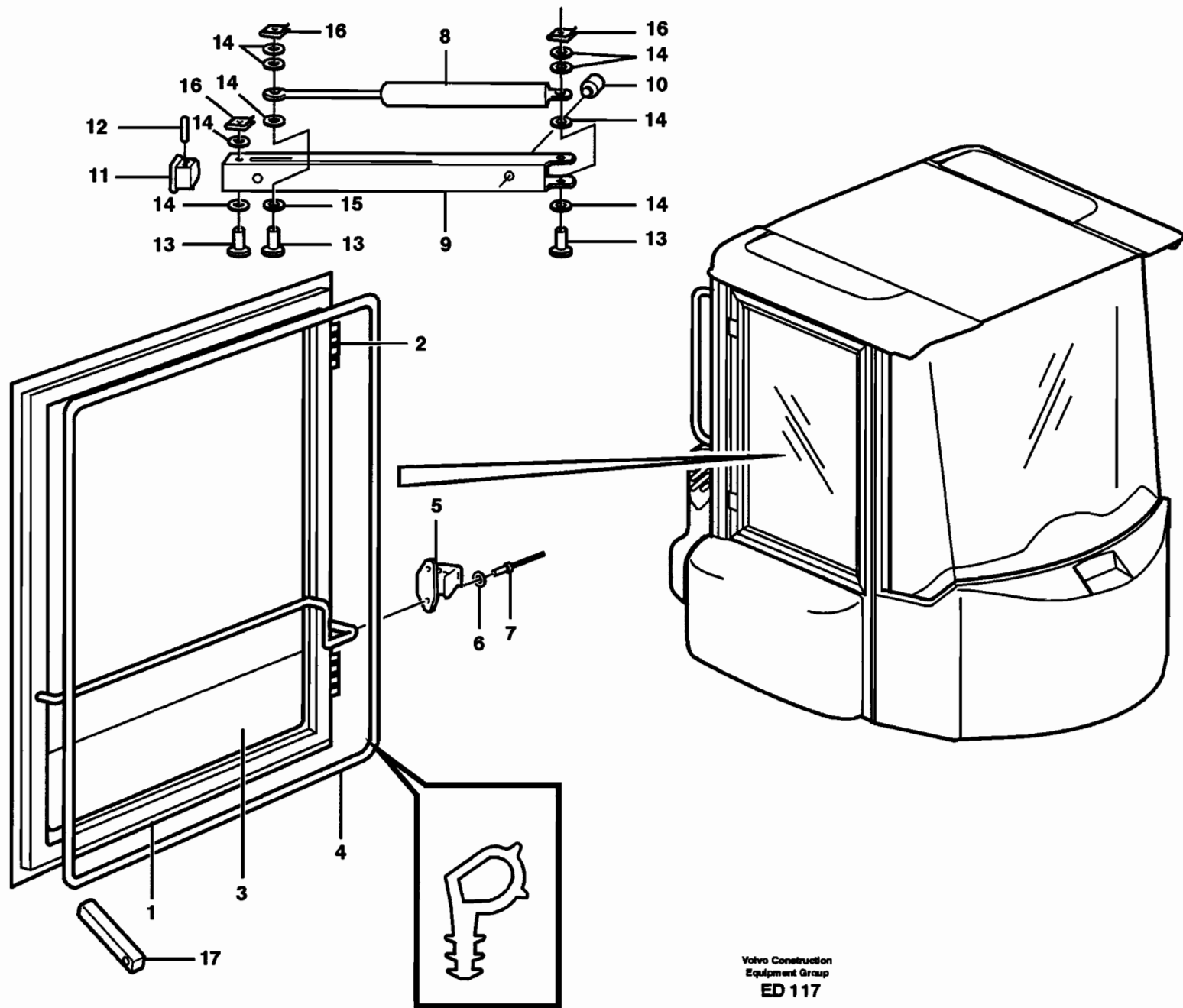
Volvo Construction
Equipment
1004058

| Fig. | Part No. | Quantity | | | P S | K I T | Description | Dénomination | Bezeichnung | Denominación | Benämning | Notes |
|------|--------------|----------|-----|---|--------|-------------|----------------------|------------------------|-----------------------|--------------------------|--------------------|----------------------|
| | | 1 | 2 | 3 | | | | | | | | |
| | VOE 11104593 | 1 | | | | | Sliding Window | Baie coulissante | Schiebefenster | Ventana deslizante | Skjutfönster | 93786 |
| | VOE 11164641 | | 1 | | | | Sliding Window | Baie coulissante | Schiebefenster | Ventana deslizante | Skjutfönster | (VOE 11104594) 93787 |
| 1 | VOE 11704709 | 1 | | | | | •Window | •Vitre | •Fensterscheibe | •Ventana | •Ruta | |
| | VOE 11704707 | | 1 | | | | •Window | •Vitre | •Fensterscheibe | •Ventana | •Ruta | |
| 2 | VOE 11704706 | 1 | 1 | | | | •Window | •Vitre | •Fensterscheibe | •Ventana | •Ruta | |
| 3 | VOE 11996337 | 1 | | | | | •Slat | •Regle | •Querholz | •Regla | •Regel | |
| 4 | VOE 11704728 | REQ | REQ | | | | •Moulding | •Baguette | •Profil | •Liston | •List | |
| 5 | VOE 11704708 | 2 | | | | | •Lock Strip | •Lisse Fixation | •Sicher Leiste | •Liston Bloqueo | •Låslist | (VOE 11704710) |
| | VOE 11704708 | | 2 | | | | •Lock Strip | •Lisse Fixation | •Sicher Leiste | •Liston Bloqueo | •Låslist | |
| 6 | VOE 11996338 | 1 | 1 | | | | •Rubber stop | •Butee caoutcho | •Gummipuffer | •Tope goma | •Gummistopp | |
| 7 | VOE 11988386 | 1 | 1 | | | | •Cross member | •Traverse | •Querträger | •Travesano | •Tvärbalk | |

| | | | | |
|---|-------|---|----------------|------------|
| 1 | 93786 | Skjutfönster. Ventana despla. Schiezefenster. Vitre coulissante. Sliding window. | Catalogue id | Group |
| 2 | 93787 | | 20007 | 843 |
| 3 | | | Illustr. No | Section |
| 4 | | | 1004058 | 150 |
| 5 | | | Issue | Page |
| | | | VOE 63D9920007 | 683 |

VOLVO

L90E



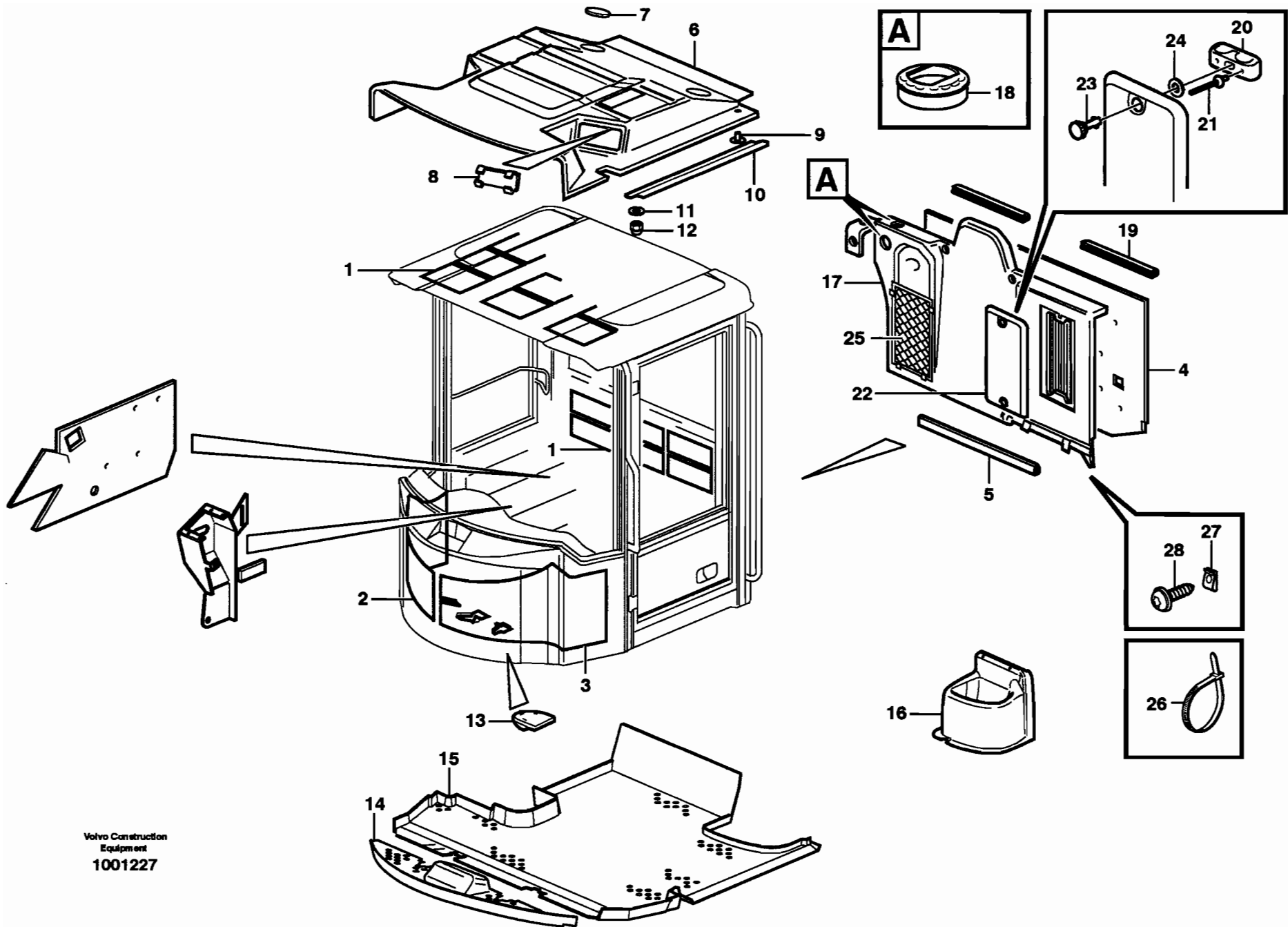
Volvo Construction
 Equipment Group
 ED 117

| Fig. | Part No. | Quantity | | | P S | K I T | Description | Dénomination | Bezeichnung | Denominación | Benämning | Notes |
|------|--------------|----------|---|---|--------|---------------------|--------------------------|------------------------|-------------------------|-----------------------|-------------------------|-------|
| | | 1 | 2 | 3 | | | | | | | | |
| | | 1 | | | NS | Cab Framework | Carcasse Cabine | Fahrerhausgerippe..... | Amazon Cabine | Hyttstomme..... | See group 810, Page 613 | |
| 1 | VOE 11104451 | 1 | | | | •Window Frame | •Cadre Fenetre..... | •Fensterrahmen..... | •Marco Ventana..... | •Fönsterram..... | | |
| 2 | VOE 11104509 | 2 | | | | •Hinge | •Charniere | •Scharnier..... | •Bisagra..... | •Gångjärn..... | | |
| | VOE 11708215 | 2 | | | | ••Hinge Pin..... | ••Axe Charniere..... | ••Scharnierstift..... | ••Pasador Bisagra | ••Gångjärnspinne..... | | |
| 3 | | 1 | | | | Window | Vitre..... | Fensterschiebe..... | Ventanillas..... | Glasruta..... | | |
| 4 | VOE 11007421 | REQ | | | | Sealing strip | Lisse etancheite | Dichtleiste..... | Moldura reten | Tätninglist..... | L=3620MM | |
| 5 | VOE 11104075 | 1 | | | | Lock Lug | Talon Verrouil..... | Sperrzacken | Talon Cierre | Låsklack..... | | |
| 6 | VOE 13940090 | 2 | | | | Washer..... | Rondelle | Scheibe | Arandela..... | Bricka..... | | |
| 7 | VOE 13965596 | 2 | | | | Blind Rivet..... | Rivet Borgne | Blindniet | Remache Ciego | Blindnit..... | | |
| 8 | VOE 11006826 | 1 | | | | Gas Spring..... | Ressort Gaz | Gasfeder | Resorte A Gas..... | Gasfjäder..... | | |
| 9 | VOE 11006706 | 1 | | | | Door Stop..... | Cale-porte | Turhalter..... | Tope Puerta | Dörrstopp..... | | |
| 10 | VOE 667751 | 1 | | | | Buffer | Butoir..... | Puffer..... | Parachoques | Buffert..... | | |
| 11 | VOE 11147749 | 1 | | | | End Piece..... | Flasque | Stirnwandteil..... | Pieza Extremo | Gavelstycke..... | | |
| 12 | VOE 13951967 | 2 | | | | Spring Pin | Axe de ressort..... | Federstift | Pasador Resorte | Fjäderpinne..... | | |
| 13 | VOE 942290 | 3 | | | | Rtng Ring Bolt..... | Boulon Sill Bag..... | Sich.bolzen..... | Perno Circlip..... | Spåringsbult..... | | |
| 14 | VOE 13947757 | 9 | | | | Washer..... | Rondelle | Scheibe | Arandela | Bricka..... | | |
| 15 | VOE 13962658 | 1 | | | | Washer..... | Rondelle | Scheibe | Arandela | Bricka..... | | |
| 16 | VOE 13969158 | 3 | | | | Lock brace | Etrier de verrouillage.. | Sperrklinke | Brazo Seguridad | Låsbygel..... | | |
| 17 | VOE 11007034 | 1 | | | | Window Catch..... | Verrou Fenetre | Fenst Steller | Fiador Ventana..... | Fönsterspärr..... | | |

| | | | | |
|---|--|---|----------------|---------|
| 1 | | Fönster Ventanas Fenster Fenêtres Windows | Catalogue id | Group |
| 2 | | | 20007 | 843 |
| 3 | | | Illustr. No | Section |
| 4 | | | ED117 | 200 |
| 5 | | | Issue | Page |
| | | | VOE 63D9920007 | 685 |

VOLVO

L90E



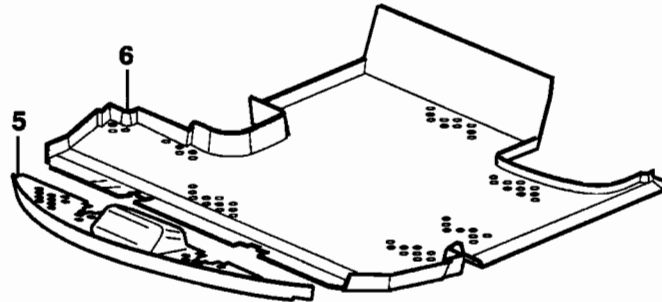
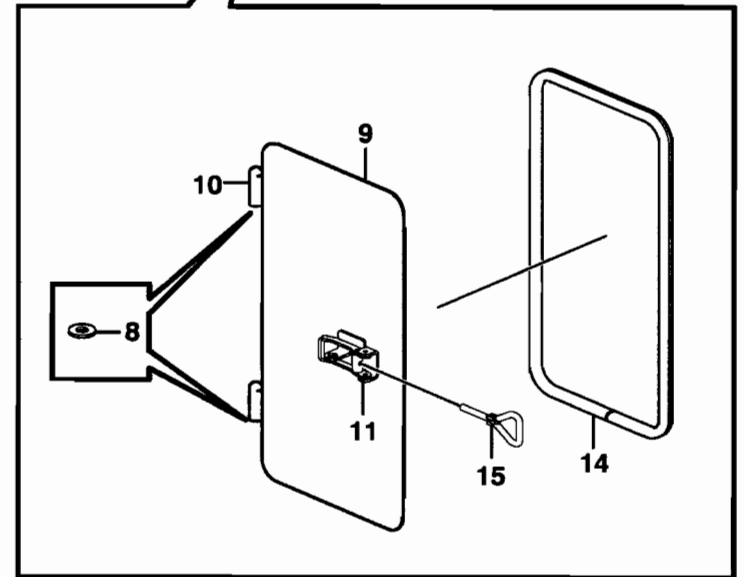
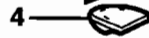
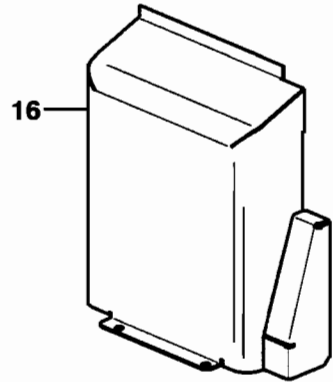
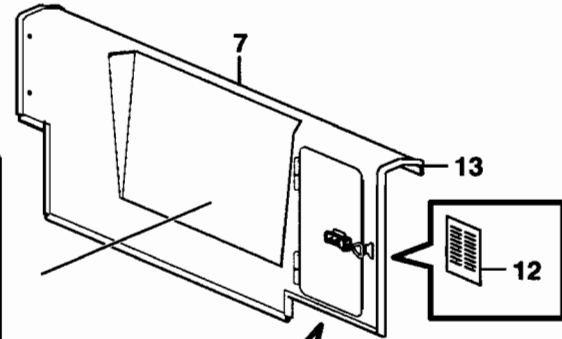
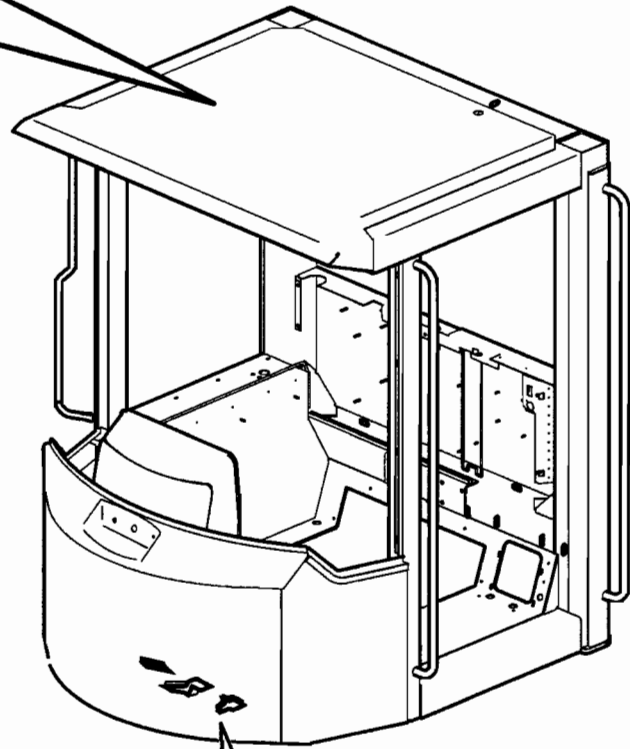
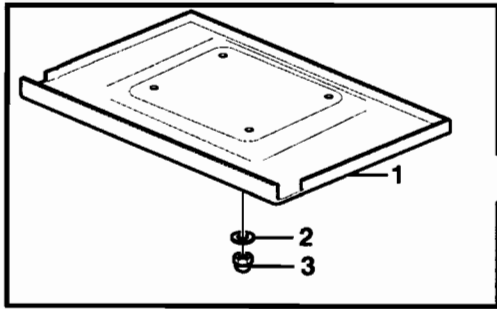
Volvo Construction
Equipment
1001227

| Fig. | Part No. | Quantity | | | P S | K I T | Description | Dénomination | Bezeichnung | Denominación | Benämning | Notes |
|------|--------------|----------|---|---|--------|--------------------|--------------------------|------------------------|-----------------------|---------------------|-------------------------|-------|
| | | 1 | 2 | 3 | | | | | | | | |
| 1 | | 26 | | | NS | Insulation..... | Isolant | Isolierung..... | Aislante | Isolering..... | | |
| 2 | VOE 11104558 | 1 | | | | Insulation..... | Isolant | Isolierung..... | Aislante | Isolering..... | RH | |
| 3 | VOE 11104559 | 1 | | | | Insulation..... | Isolant | Isolierung..... | Aislante | Isolering..... | LH | |
| 4 | VOE 11164477 | 1 | | | | Insulation..... | Isolation..... | Isolierung..... | Aislamiento..... | Isolering..... | | |
| 5 | VOE 11006785 | REQ | | | | Framework moulding | Baguette claire-voie ... | Kubelstange | Moldura armadura..... | Skelettlister..... | L = 715 MM | |
| 6 | VOE 11104329 | 1 | | | | Headlining..... | Garnit.pavillon | Dachhimmel | Techo Interior | Innertak..... | | |
| 7 | VOE 11007975 | 2 | | | | Cover | Couvercle..... | Deckel | Tapa | Lock..... | | |
| 8 | VOE 11007493 | 2 | | | | Hatch..... | Trappe..... | Luke | Trampilla | Lucka | | |
| 9 | VOE 11006726 | 3 | | | | Push Button | Bouton-poussoir..... | Druckknopf..... | Boton empujador..... | Tryckknapp..... | | |
| 10 | VOE 11104614 | 2 | | | | Moulding | Baguette..... | Profil | Liston..... | List..... | | |
| 11 | VOE 960139 | 4 | | | | Washer..... | Rondelle..... | Scheibe | Arandela..... | Bricka..... | | |
| 12 | VOE 11005777 | 4 | | | | Cap Nut..... | Ecrou Capuchon | Hutmutter | Tuerca Sombrer | Hattmutter..... | | |
| 13 | VOE 11007246 | 1 | | | | Rubber Plug..... | Bouchon Caoutc. | Gummistöpsel | Tapon Goma | Gummipropp..... | | |
| 14 | VOE 11164307 | 1 | | | | Floor mat..... | Tapis sol..... | Bodenmatte..... | Alfombra piso | Golvatta..... | | |
| 15 | VOE 11164308 | 1 | | | | Floor mat..... | Tapis sol..... | Bodenmatte..... | Alfombra piso | Golvatta..... | | |
| 16 | | 1 | | | | Casing..... | Boitier..... | Gehäuse..... | Cubierta..... | Kåpa..... | See group 882, Page 755 | |
| 17 | VOE 11164497 | 1 | | | | Casing..... | Boitier..... | Gehäuse..... | Cubierta..... | Kåpa..... | | |
| 18 | VOE 11104371 | 2 | | | | •Air Outlet..... | •Diffuseur d'air..... | •Luftdüse | •Difusor de aire..... | •Luftmunstycke..... | | |
| 19 | VOE 4955075 | 2 | | | | •Moulding | •Baguette | •Profil..... | •Liston | •List..... | | |
| 20 | VOE 11006795 | 2 | | | | •Lock | •Serrure..... | •Schloss | •Cierre | •Lås..... | | |
| 21 | VOE 942669 | 4 | | | | •Blind Rivet | •Rivet Borgne | •Blindniet | •Remache Ciego | •Blindnit..... | | |
| 22 | | 1 | | | NS | •Lid | •Porte | •Deckel..... | •Ventanilla | •Lucka..... | | |
| 23 | VOE 11006796 | 2 | | | | ••Retainer..... | ••Retenue | ••Halter | ••Soporte | ••Hållare..... | | |
| 24 | VOE 11006797 | 2 | | | | ••Washer | ••Rondelle | ••Scheibe..... | ••Arandela | ••Bricka..... | | |
| 25 | VOE 11104572 | 1 | | | | •Baggage Net..... | •Filet A Bagages | •Gepäcknetz..... | •Red Maletero | •Bagagenät..... | | |
| 26 | VOE 4881438 | 4 | | | | •Strip Clamp..... | •Ruban Serrage | •Kabelbinder..... | •Abraz Cinta | •Bandklamma..... | | |
| 27 | VOE 949921 | 7 | | | | Spring Nut..... | Ecrou Ressort | Fed. Schliessmutter .. | Tuerca Resorte | Fjädermutter..... | | |
| 28 | VOE 971322 | 7 | | | | Screw | Vis..... | Schraube..... | Tornillo | Skruv..... | | |

| | | | | |
|---|--|--|----------------|------------|
| 1 | | Isolermattor Alfombras aislantes Isoliermatten Tapis isolant Insulating matting STD | Catalogue id | Group |
| 2 | | | 20007 | 851 |
| 3 | | | Illustr. No | Section |
| 4 | | | 1001227 | 100 |
| 5 | | | Issue | Page |
| | | VOE 63D9920007 | 687 | |

VOLVO

L90E



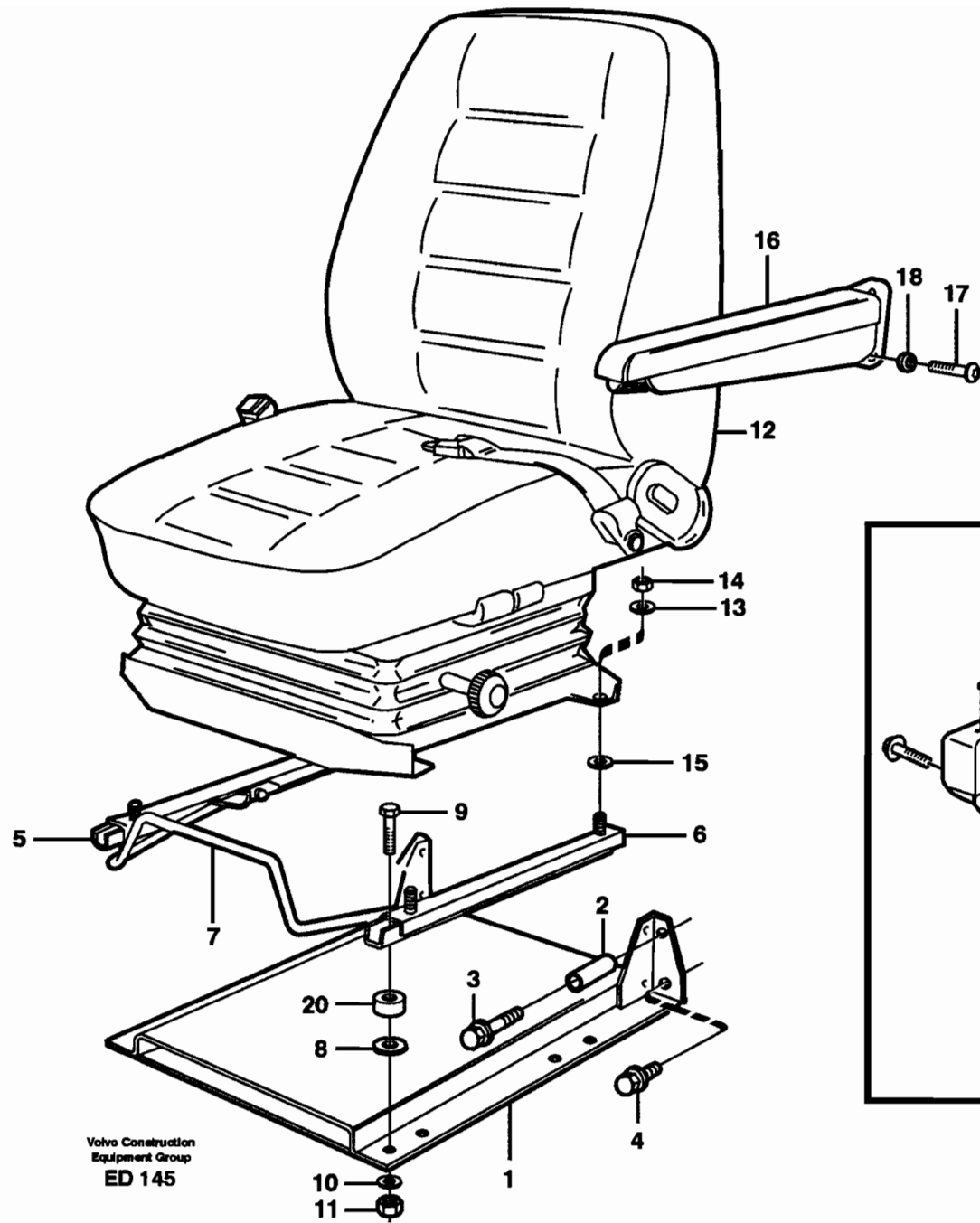
Volvo Construction
Equipment
1009585

| Fig. | Part No. | Quantity | | | P S | K I T | Description | Dénomination | Bezeichnung | Denominación | Benämning | Notes |
|------|--------------|----------|-----|---|--------|-------------|------------------------|--------------------------|-------------------------|-------------------------|-----------------------|-------|
| | | 1 | 2 | 3 | | | | | | | | |
| 1 | VOE 11164875 | 1 | | | | | Headlining | Garnit.pavillon | Dachhimmel | Techo Interior | Innertak | |
| 2 | VOE 960139 | 6 | | | | | Washer | Rondelle | Scheibe | Arandela | Bricka | |
| 3 | VOE 11005777 | 6 | | | | | Cap Nut | Ecrou Capuchon | Hutmutter | Tuerca Sombrer | Hattmutter | |
| 4 | VOE 11007246 | 1 | | | | | Rubber Plug | Bouchon Caoutc. | Gummistöpsel | Tapon Goma | Gummipropp | |
| 5 | VOE 11164307 | 1 | | | | | Floor mat | Tapis sol | Bodenmatte | Alfombra piso | Golvmatta | |
| 6 | VOE 11164308 | 1 | | | | | Floor mat | Tapis sol | Bodenmatte | Alfombra piso | Golvmatta | |
| 7 | VOE 11164849 | 1 | | | | | Cover Plate | Protection en tole | Schutzblech | Placa Tapa | Täckplatta | |
| | VOE 11164850 | 1 | | | | | Cover Plate | Protection en tole | Schutzblech | Placa Tapa | Täckplatta | |
| 8 | VOE 4936344 | 2 | 2 | | | | •Washer | •Rondelle | •Scheibe | •Arandela | •Bricka | |
| 9 | | 1 | 1 | | NS | | •Hatch | •Trappe | •Luke | •Trampilla | •Lucka | |
| 10 | VOE 4936925 | 2 | 2 | | | | ••Weld Hinge | ••Charnier.soudee | ••Anschweisscharn | ••Bisagra Soldada | ••Svetsgångjärn | |
| 11 | VOE 11015639 | 1 | 1 | | | | ••Eccentric Lock | ••Verrou Excentr | ••Exz Sicherung | ••Cerrad Excentr | ••Excenterlås | |
| 12 | VOE 11164886 | 1 | 1 | | | | ••Decal | ••Decalcomanie | ••Abziehbild | ••Decalcomania | ••Dekal | |
| 13 | VOE 4786044 | REQ | REQ | | | | •Sealing strip | •Lisse etancheite | •Dichtleiste | •Moldura reten | •Tätningslist | |
| 14 | VOE 4881207 | REQ | REQ | | | | •Sealing Strip | •Ruban Etanche | •Dichtstreifen | •Cinta Reten | •Tätningsband | |
| 15 | VOE 11015638 | 1 | 1 | | | | •Eye Bolt | •Boulon Oeillet | •Ringschraube | •Perno De Aro | •Öglebult | |
| 16 | VOE 11164836 | 1 | | | | | Cover Plate | Protection en tole | Schutzblech | Placa Tapa | Täckplatta | |

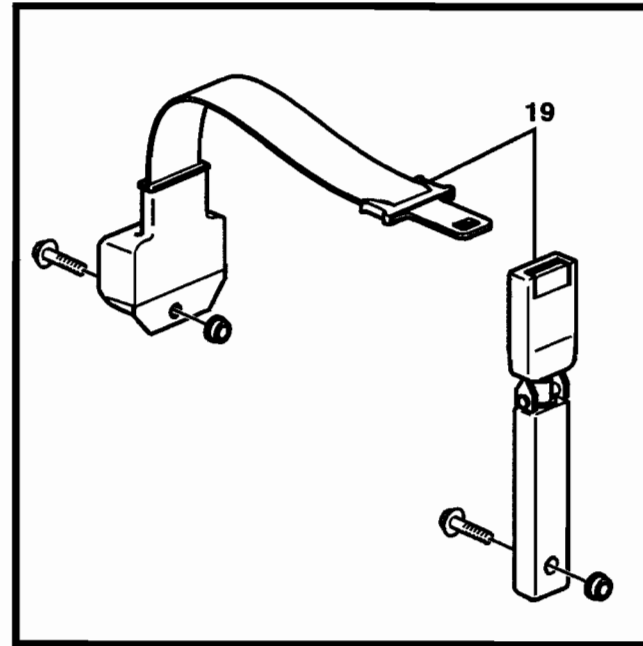
| | | | | |
|---|-----------|---|----------------|---------|
| 1 | OPEN ROPS | Isolermattor Alfombras aislantes Isoliermatten Tapis isolant Insulating matting | Catalogue id | Group |
| 2 | 82790 | | 20007 | 851 |
| 3 | | | Illustr. No | Section |
| 4 | | | 1009585 | 150 |
| 5 | | | Issue | Page |
| | | | VOE 63D9920007 | 689 |

VOLVO

L90E



Volvo Construction
 Equipment Group
 ED 145



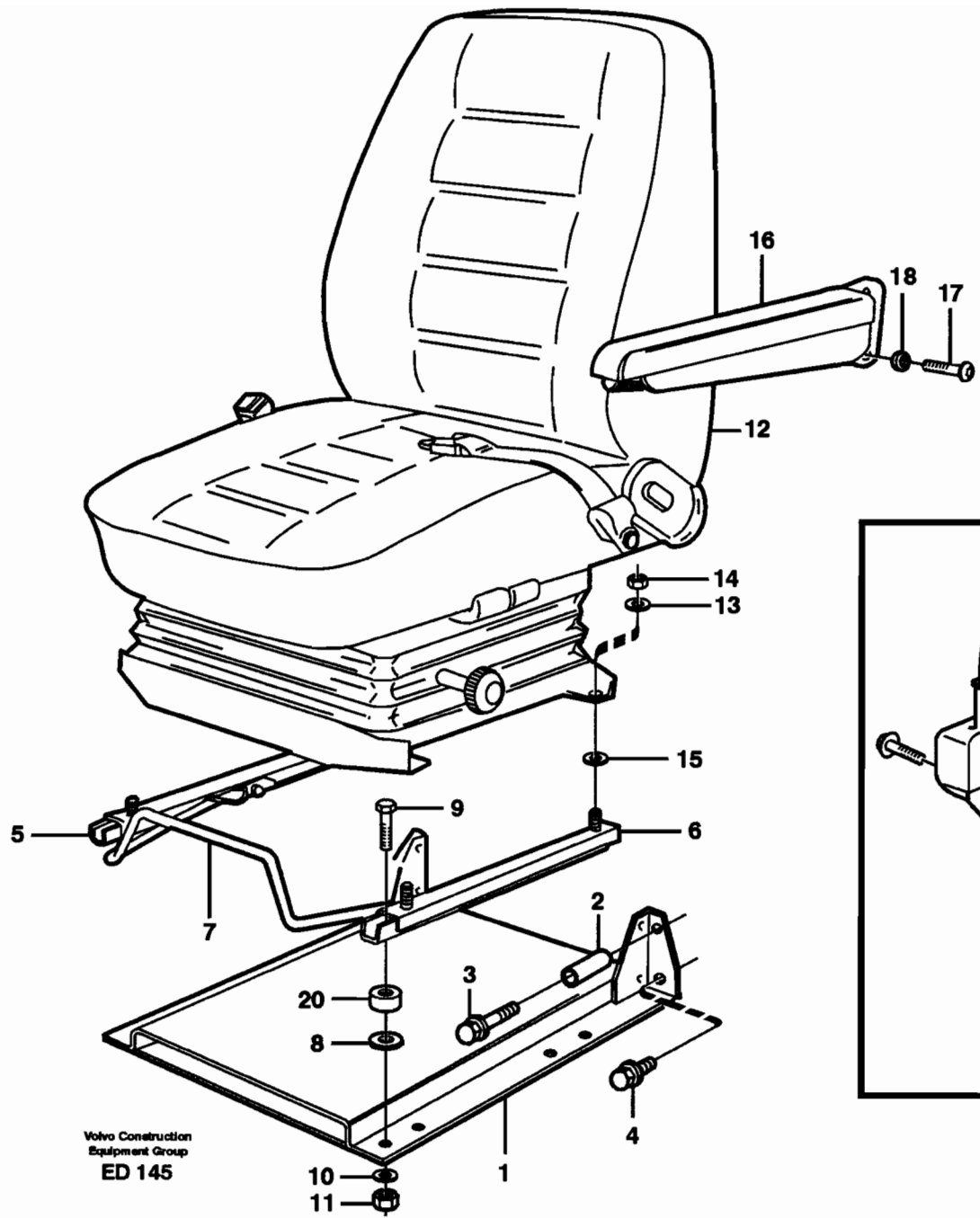
| Fig. | Part No. | Quantity | | | P S | K I T | Description | Dénomination | Bezeichnung | Denominación | Benämning | Notes |
|------|--------------|----------|---|---|--------|--------------|-----------------|------------------|-----------------|--------------|----------------------------------|-------|
| | | 1 | 2 | 3 | | | | | | | | |
| 1 | VOE 11007410 | 1 | | | | Seat Bracket | Etrier De Siege | Sitzkonsole | Consola Asiento | Sitskonsol | | |
| 2 | VOE 930457 | 2 | | | | Spacer Ring | Bagu.entretoise | Abstandring | Anillo Dist | Distansring | | |
| 3 | VOE 13947790 | 2 | | | | Flange screw | Vis à bride | Flanschschraube | Torn embridado | Flänsskruv | | |
| 4 | VOE 946329 | 2 | | | | Flange screw | Vis à bride | Flanschschraube | Torn embridado | Flänsskruv | | |
| 5 | VOE 11104092 | 1 | | | | Slide Rail | Rail Guidage | Gleitschiene | Riel Deslizam | Glidskena | RH | |
| 6 | VOE 11104093 | 1 | | | | Slide Rail | Rail Guidage | Gleitschiene | Riel Deslizam | Glidskena | LH | |
| 7 | VOE 11006044 | 1 | | | | Handle | Poignee | Griff | Mango | Handtag | | |
| 8 | VOE 13960141 | 4 | | | | Washer | Rondelle | Scheibe | Arandela | Bricka | | |
| 9 | VOE 4870448 | 4 | | | | Screw | Vis | Schraube | Tornillo | Skruv | | |
| 10 | VOE 13960141 | 4 | | | | Washer | Rondelle | Scheibe | Arandela | Bricka | | |
| 11 | VOE 946036 | 4 | | | | Lock nut | Contre-ecrou | Sicherungsmutter | Contratuerca | Låsmutter | | |
| 12 | VOE 11104254 | 1 | | | | Seat | Siege | Sitz | Asiento | Sits | 80503 | |
| | VOE 11104254 | 1 | | | | Seat | Siege | Sitz | Asiento | Sits | See group 852, Page 695 80504 | |
| | VOE 11104273 | 1 | | | | Seat | Siege | Sitz | Asiento | Sits | See group 852, Page 697 80505 | |
| | VOE 11104274 | 1 | | | | Seat | Siege | Sitz | Asiento | Sits | See group 852, Page 697 80506 | |
| | VOE 11104015 | 1 | | | | Seat | Siege | Sitz | Asiento | Sits | See group 852, Page 699 94909 | |
| | VOE 11104016 | 1 | | | | Seat | Siege | Sitz | Asiento | Sits | See group 852, Page 701 80572 | |
| | | | | | | | | | | | See group 852, Page 703 | |
| 13 | VOE 13960141 | 4 | | | | Washer | Rondelle | Scheibe | Arandela | Bricka | | |
| 14 | VOE 13945408 | 4 | | | | Nut | Ecrou | Mutter | Tuerca | Mutter | | |
| 15 | VOE 13960143 | 4 | | | | Washer | Rondelle | Scheibe | Arandela | Bricka | | |
| 16 | VOE 11104014 | 1 | | | | Arm Rest | Accoudoir | Armlehne | Reposabrazos | Armstöd | 94916 | |
| 17 | VOE 969436 | 2 | | | | Screw | Vis | Schraube | Tornillo | Skruv | 94916 | |

1294) GB: Not included when cab is ordered FR: Non compris dans la commande de la cabine DE: Bei Bestellung mit Kabine nicht enthalten ES: No se incluye en el pedido SE: Ingår ej vid beställning av hytt

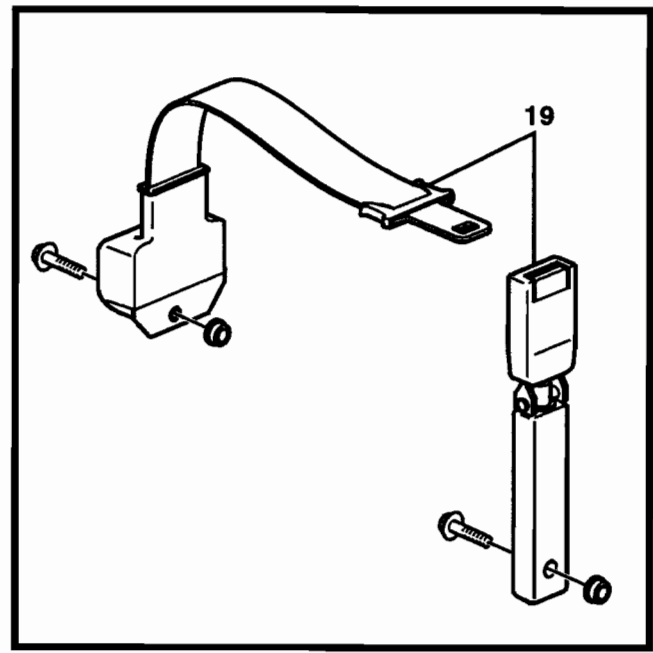
| | | | | |
|---|-------|---|----------------|---------|
| 1 | 33277 | Förarstol med monteringsdetaljer Asiento del conductor con piezas de montaje Fahrersitz mit Anbauteilen Siège conducteur avec pièces de montage Operator seat with fitting parts | Catalogue id | Group |
| 2 | 1294) | | 20007 | 852 |
| 3 | | | Illustr. No | Section |
| 4 | | | ED145 | 100 |
| 5 | | | Issue | Page |
| | | | VOE 63D9920007 | 691 |

VOLVO

L90E



Volvo Construction
 Equipment Group
 ED 145



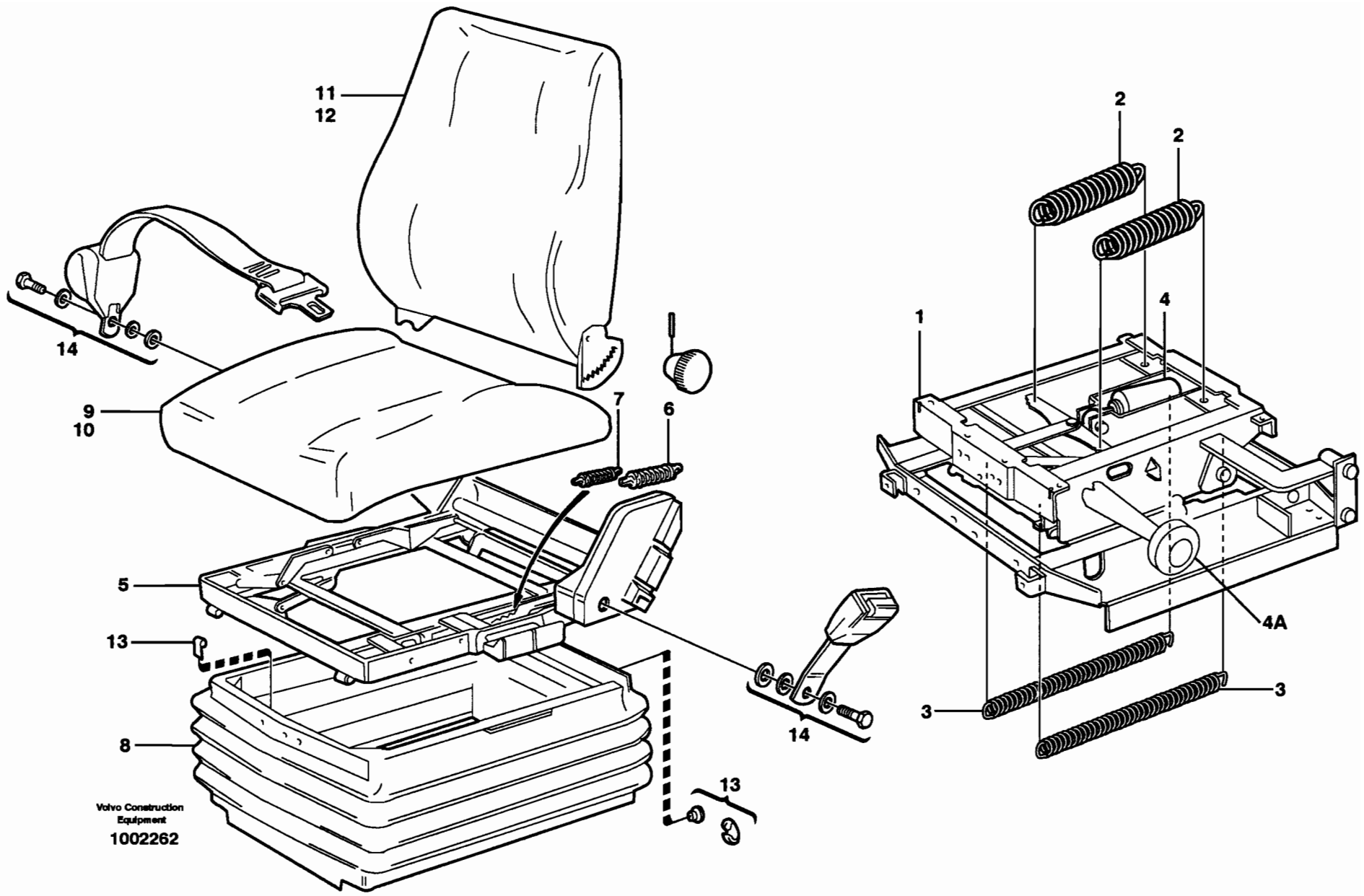
| Fig. | Part No. | Quantity | | | P S | K I T | Description | Dénomination | Bezeichnung | Denominación | Benämning | Notes |
|------|--------------|----------|---|---|--------|---------------|----------------------|--------------------|-------------------------|----------------|-----------|-------|
| | | 1 | 2 | 3 | | | | | | | | |
| 18 | VOE 13955894 | | 2 | | | Washer..... | Rondelle..... | Scheibe..... | Arandela..... | Bricka..... | 94916 | |
| 19 | VOE 11104125 | | 1 | | | Hip Belt..... | Ceinture Hanche..... | Hüftgurt..... | Cinturon Cadera..... | Höftbälte..... | 94925 CPL | |
| 20 | VOE 11007399 | 4 | | | | Spacer..... | Entretoise..... | Abstandstueck..... | Casquillo distanciad .. | Distans..... | | |

1294) GB: Not included when cab is ordered FR: Non compris dans la commande de la cabine DE: Bei Bestellung mit Kabine nicht enthalten ES: No se incluye en el pedido SE: Ingår ej vid beställning av hytt

| | | | | |
|---|-------|---|----------------|------------|
| 1 | 33277 | Förarstol med monteringsdetaljer Asiento del conductor con piezas de montaje Fahrersitz mit Anbauteilen Siège conducteur avec pièces de montage Operator seat with fitting parts | Catalogue id | Group |
| 2 | 1294) | | 20007 | 852 |
| 3 | | | Illustr. No | Section |
| 4 | | | ED145 | 100 |
| 5 | | | Issue | Page |
| | | | VOE 63D9920007 | 693 |

VOLVO

L90E



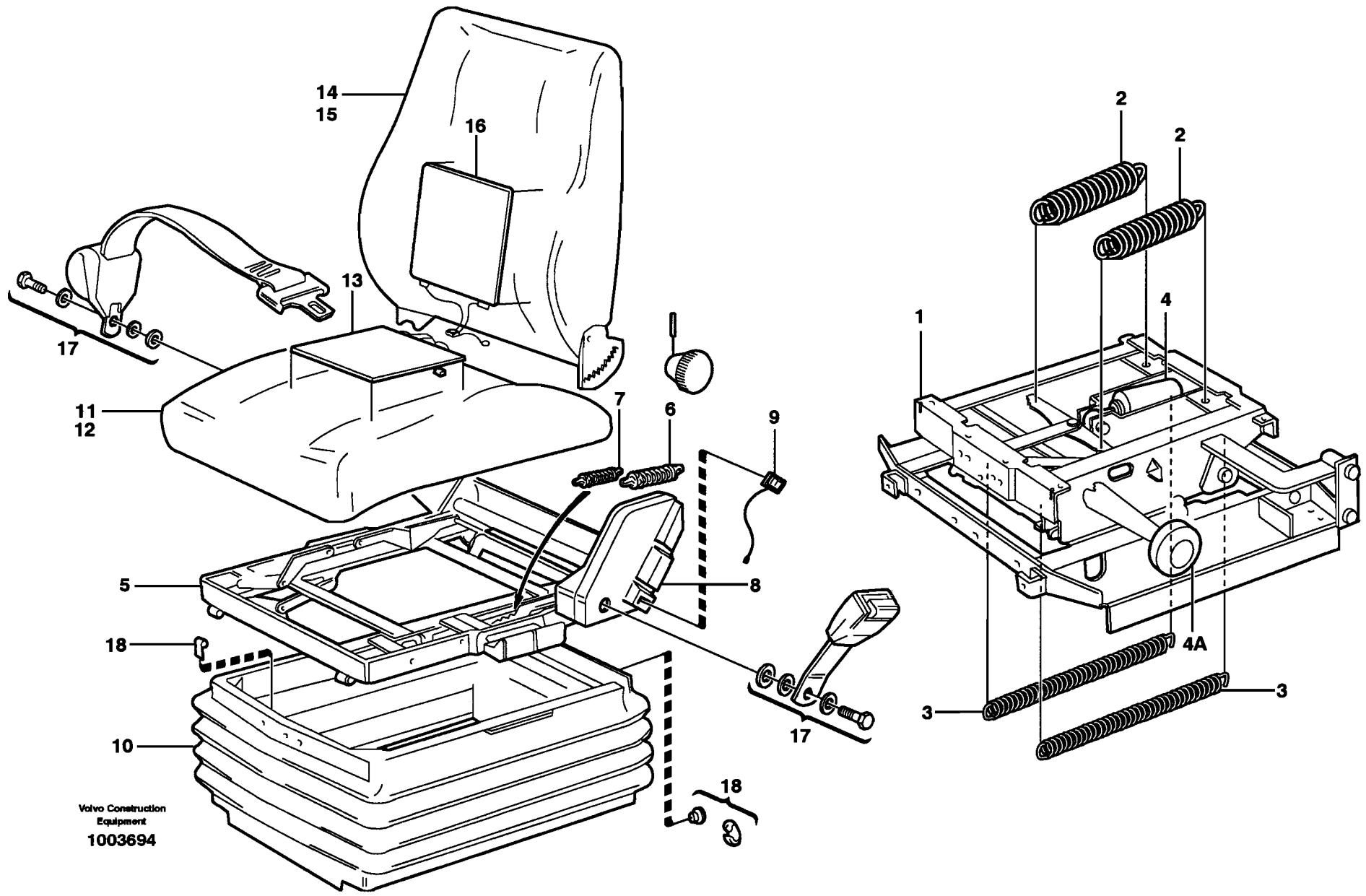
Volvo Construction
 Equipment
 1002262

| Fig. | Part No. | Quantity | | | P S | K I T | Description | Dénomination | Bezeichnung | Denominación | Benämning | Notes |
|------|--------------|----------|---|---|--------|-----------------------|------------------------|------------------------|-----------------------|----------------------|-----------|-------|
| | | 1 | 2 | 3 | | | | | | | | |
| | VOE 11104254 | 1 | | | | Seat..... | Siege..... | Sitz..... | Asiento..... | Sits..... | 80503 | |
| 1 | VOE 11707355 | 1 | | | | •Spring Suspension .. | •Unite Suspension..... | •Federbündel..... | •Unidad Suspension... | •Fjädringsenhet..... | | |
| 2 | VOE 6213261 | 2 | | | | ••Spring..... | ••Ressort..... | ••Feder..... | ••Muelle..... | ••Fjäder..... | | |
| 3 | VOE 11707356 | 2 | | | | ••Spring..... | ••Ressort..... | ••Feder..... | ••Muelle..... | ••Fjäder..... | | |
| 4 | VOE 11707351 | 1 | | | | ••Shock absorber..... | ••Amortisseur..... | ••Stossdämpfer..... | ••Amortiguador..... | ••Stötdämpare..... | | |
| 4A | VOE 3090569 | 1 | | | | ••Knob..... | ••Bouton..... | ••Knauf..... | ••Boton..... | ••Knopp..... | | |
| 5 | VOE 11707359 | 1 | | | | •Seat frame..... | •cadre Siege..... | •Sitzrahmen..... | •Marco asiento..... | •Sitsram..... | | |
| 6 | VOE 1518748 | 1 | | | | ••Spring..... | ••Ressort..... | ••Feder..... | ••Muelle..... | ••Fjäder..... | | |
| 7 | VOE 1696529 | 2 | | | | ••Spring..... | ••Ressort..... | ••Feder..... | ••Muelle..... | ••Fjäder..... | | |
| 8 | VOE 11998550 | 1 | | | | •Bellows..... | •Capot Caoutcho..... | •Gummimantel..... | •Cubierta Goma..... | •Gummikåpa..... | | |
| 9 | VOE 11700708 | 1 | | | | •Seat..... | •Siege..... | •Sitz..... | •Asiento..... | •Sits..... | | |
| 10 | VOE 11996163 | 1 | | | | ••Upholstery..... | ••Garniture Habit..... | ••Bezug..... | ••Tapizado..... | ••Klädsel..... | | |
| 11 | VOE 11707357 | 1 | | | | •Backrest..... | •Dossier..... | •Rücken..... | •Respaldo..... | •Rygg..... | | |
| 12 | VOE 11707358 | 1 | | | | ••Upholstery..... | ••Garniture Habit..... | ••Bezug..... | ••Tapizado..... | ••Klädsel..... | | |
| 13 | VOE 11998811 | 1 | | | | •Attachment kit..... | •Jeu de fixation..... | •Befestigungssatz..... | •Juego acoplamiento.. | •Fästsats..... | | |
| 14 | VOE 11707348 | 1 | | | | •Hip Belt..... | •Ceinture Hanche..... | •Hüftgurt..... | •Cinturon Cadera..... | •Höftbälte..... | | |

| | | | | |
|---|--|--|-----------------------|------------|
| 1 | | Förarstol, ISRI. Asiento del conductor. Fahrersitz. Siège du conducteur. Operator's seat. | Catalogue id | Group |
| 2 | | | 20007 | 852 |
| 3 | | | Illustr. No | Section |
| 4 | | | 1002262 | 150 |
| 5 | | 80503 | Issue | Page |
| | | | VOE 63D9920007 | 695 |

VOLVO

L90E



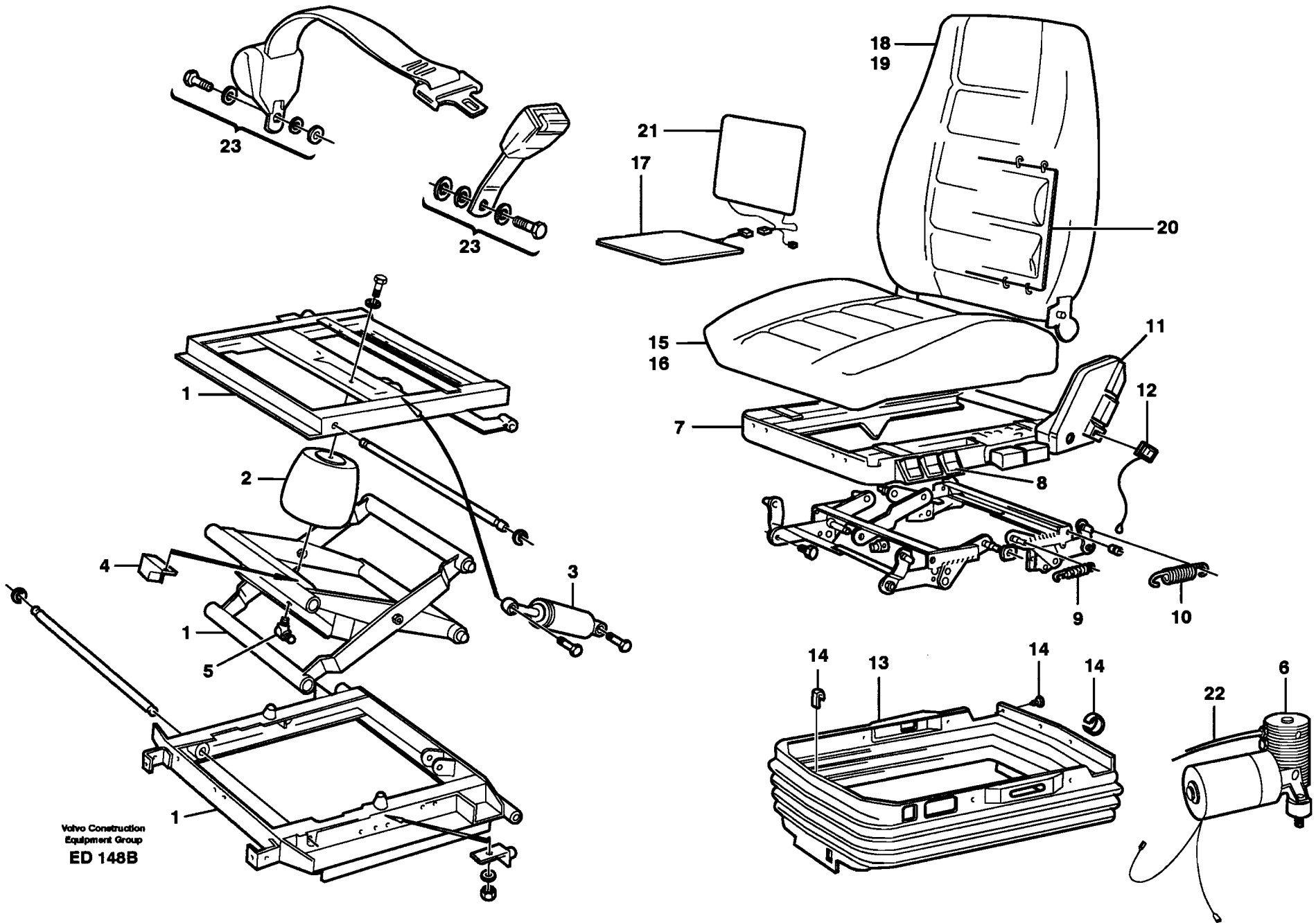
Volvo Construction
 Equipment
 1003694

| Fig. | Part No. | Quantity | | | | | P S | K I T | Description | Dénomination | Bezeichnung | Denominación | Benämning | Notes |
|------|--------------|----------|---|---|---|---|--------|------------------------|-----------------------------|-------------------------|---------------------------|-----------------------|----------------|-------|
| | | 1 | 2 | 3 | 4 | 5 | | | | | | | | |
| | VOE 11104254 | 1 | | | | | | Seat | Siege | Sitz | Asiento | Sits | 80504 | |
| | VOE 11104273 | | 1 | | | | | Seat | Siege | Sitz | Asiento | Sits | 80505 | |
| 1 | VOE 11707355 | 1 | 1 | | | | | •Spring Suspensio .. | •Unite Suspension .. | •Federbündel | •Unidad Suspensio .. | •Fjädringsenhet | | |
| 2 | VOE 6213261 | 2 | 2 | | | | | ••Spring | ••Ressort | ••Feder | ••Muelle | ••Fjäder | | |
| 3 | VOE 11707356 | 2 | 2 | | | | | ••Spring | ••Ressort | ••Feder | ••Muelle | ••Fjäder | | |
| 4 | VOE 11707351 | 1 | 1 | | | | | ••Shock absorber | ••Amortisseur | ••Stossdämpfer | ••Amortiguador | ••Stötdämpare | | |
| 4A | VOE 3090569 | 1 | 1 | | | | | ••Knob | ••Bouton | ••Knauf | ••Boton | ••Knopp | | |
| 5 | VOE 11707354 | 1 | 1 | | | | | •Seat frame | •cadre Siege | •Sitzrahmen | •Marco asiento | •Sitsram | | |
| 6 | VOE 1518748 | 1 | 1 | | | | | ••Spring | ••Ressort | ••Feder | ••Muelle | ••Fjäder | | |
| 7 | VOE 1696529 | 2 | 2 | | | | | ••Spring | ••Ressort | ••Feder | ••Muelle | ••Fjäder | | |
| 8 | VOE 11708188 | 1 | 1 | | | | | ••Cover Plate | ••Protection en toile | ••Schutzblech | ••Placa Tapa | ••Täckplatta | | |
| 9 | VOE 11707346 | 1 | 1 | | | | | ••Switch | ••Commutateur | ••Schalter | ••Contactor | ••Strömställare | | |
| 10 | VOE 11998550 | 1 | 1 | | | | | •Bellows | •Capot Caoutcho | •Gummimantel | •Cubierta Goma | •Gummikåpa | | |
| 11 | VOE 11707361 | | 1 | | | | | •Seat | •Siege | •Sitz | •Asiento | •Sits | (VOE 11707353) | |
| | VOE 11707361 | 1 | | | | | | •Seat | •Siege | •Sitz | •Asiento | •Sits | | |
| 12 | VOE 11996163 | 1 | | | | | | •Upholstery | ••Garniture Habit | ••Bezug | ••Tapizado | ••Klädsel | | |
| | VOE 11998561 | | 1 | | | | | •Upholstery | ••Garniture Habit | ••Bezug | ••Tapizado | ••Klädsel | | |
| 13 | VOE 11706320 | 1 | 1 | | | | | ••Heater | ••Elément de chauff | ••Heizkörper | ••Calefaccion | ••Värmeelement | | |
| 14 | VOE 11707360 | 1 | | | | | | •Backrest | •Dossier | •Rücken | •Respaldo | •Rygg | | |
| | VOE 11707352 | | 1 | | | | | •Backrest | •Dossier | •Rücken | •Respaldo | •Rygg | | |
| 15 | VOE 11707344 | | 1 | | | | | •Upholstery | ••Garniture Habit | ••Bezug | ••Tapizado | ••Klädsel | | |
| | VOE 11707358 | 1 | | | | | | •Upholstery | ••Garniture Habit | ••Bezug | ••Tapizado | ••Klädsel | | |
| 16 | VOE 11706318 | 1 | 1 | | | | | ••Heater | ••Elément de chauff | ••Heizkörper | ••Calefaccion | ••Värmeelement | | |
| 17 | VOE 11707348 | 1 | 1 | | | | | •Hip Belt | •Ceinture Hanche | •Hüftgurt | •Cinturon Cadera | •Höftbälte | | |
| 18 | VOE 11998811 | 1 | 1 | | | | | •Attachment kit | •Jeu de fixation | •Befestigungssatz | •Juego acoplamiento | •Fästsats | | |

| | | | | |
|---|----------|------------------------------|----------------|---------|
| 1 | 11104254 | Förarstol, ISRI. | Catalogue id | Group |
| 2 | 11104273 | Asiento del conductor, ISRI. | 20007 | 852 |
| 3 | | Fahrersitz, ISRI. | Illustr. No | Section |
| 4 | | Siège du conducteur, ISRI. | 1003694 | 200 |
| 5 | | Operator's seat, ISRI. | Issue | Page |
| | | 80504, 80505 | VOE 63D9920007 | 697 |

VOLVO

L90E



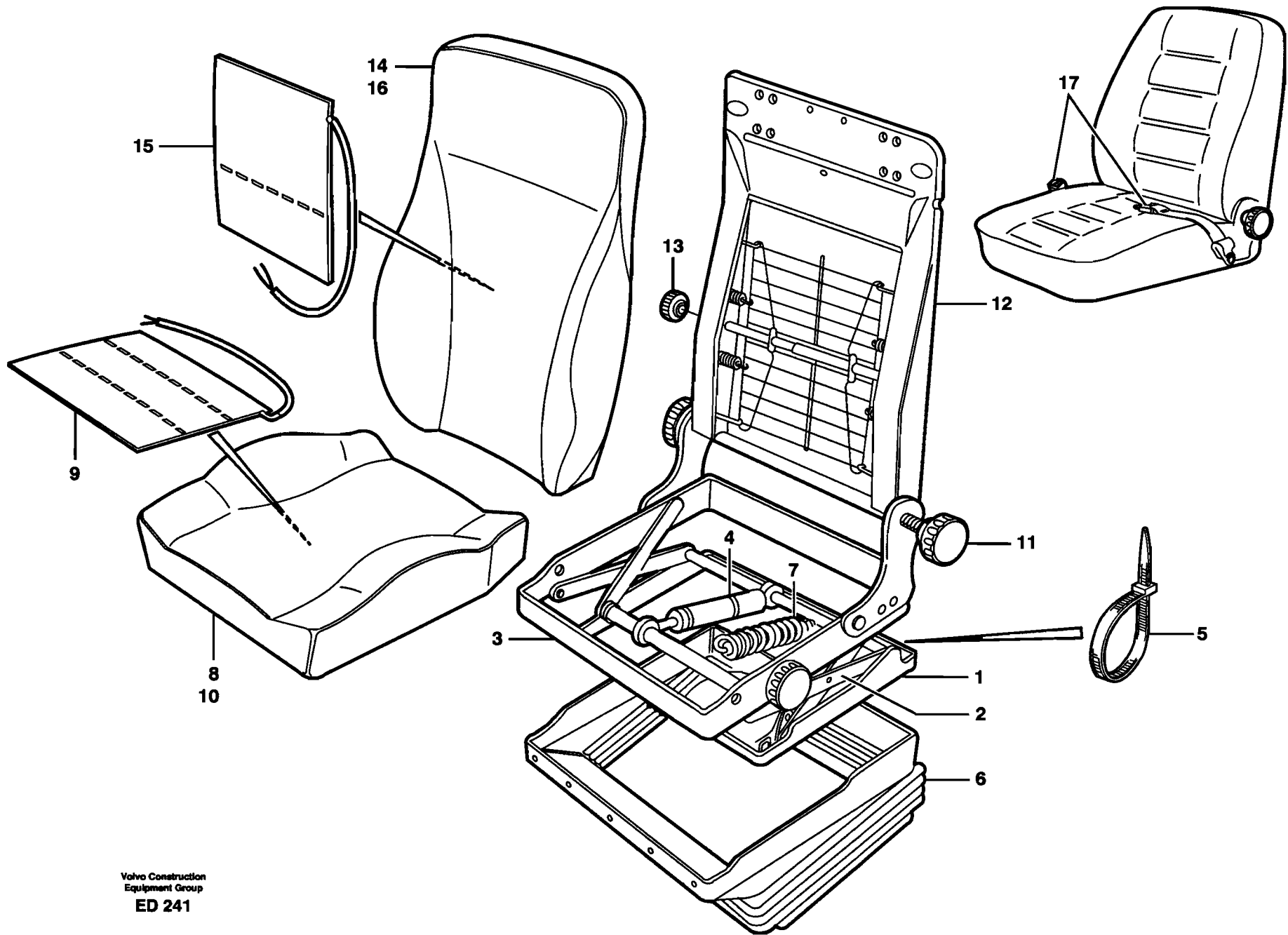
Valvo Construction
Equipment Group
ED 148B

| Fig. | Part No. | Quantity | | | P S | K I T | Description | Dénomination | Bezeichnung | Denominación | Benämning | Notes |
|------|--------------|----------|---|---|--------|-----------------------|----------------------------|------------------------|-----------------------|----------------------|----------------|-------|
| | | 1 | 2 | 3 | | | | | | | | |
| | VOE 11104274 | 1 | | | | Seat..... | Siege..... | Sitz..... | Asiento..... | Sits..... | 80506 | |
| 1 | VOE 11707349 | 1 | | | | •Spring Suspension .. | •Unite Suspension..... | •Federbündel..... | •Unidad Suspension... | •Fjädringsenhet..... | | |
| 2 | VOE 11707350 | 1 | | | | ••Air Bellows..... | ••Soufflet Air..... | ••Luftbalg..... | ••Fuelle Aire..... | ••Luftbälg..... | | |
| 3 | VOE 11707351 | 1 | | | | ••Shock absorber..... | ••Amortisseur..... | ••Stossdämpfer..... | ••Amortiguador..... | ••Stötdämpare..... | | |
| 4 | VOE 11993178 | 1 | | | | ••Relay..... | ••Relais..... | ••Relais..... | ••Rele..... | ••Relä..... | | |
| 5 | VOE 3091629 | 1 | | | | ••Elbow nipple..... | ••Raccord angulaire .. | ••Winkelnippel..... | ••Niple angular..... | ••Vinkelnippel..... | | |
| 6 | VOE 11709423 | 1 | | | | ••Compressor..... | ••Compresseur..... | ••Kompressor..... | ••Compresor..... | ••Kompressor..... | (VOE 11706324) | |
| 7 | VOE 11707345 | 1 | | | | •Seat frame..... | •cadre Siege..... | •Sitzrahmen..... | •Marco asiento..... | •Sitsram..... | | |
| 8 | VOE 11707347 | 1 | | | | ••Control..... | ••Commande..... | ••Regelung..... | ••Mando..... | ••Reglage..... | | |
| 9 | VOE 1518748 | 1 | | | | ••Spring..... | ••Ressort..... | ••Feder..... | ••Muelle..... | ••Fjäder..... | | |
| 10 | VOE 1696529 | 2 | | | | ••Spring..... | ••Ressort..... | ••Feder..... | ••Muelle..... | ••Fjäder..... | | |
| 11 | VOE 11708188 | 1 | | | | ••Cover Plate..... | ••Protection en toile..... | ••Schutzblech..... | ••Placa Tapa..... | ••Täckplatta..... | | |
| 12 | VOE 11707346 | 1 | | | | ••Switch..... | ••Commutateur..... | ••Schalter..... | ••Contactor..... | ••Strömställare..... | | |
| 13 | VOE 11998842 | 1 | | | | •Bellows..... | •Capot Caoutcho..... | •Gummimantel..... | •Cubierta Goma..... | •Gummikåpa..... | | |
| 14 | VOE 11998811 | 1 | | | | •Attachment kit..... | •Jeu de fixation..... | •Befestigungssatz..... | •Juego acoplamiento.. | •Fästsats..... | | |
| 15 | VOE 11998831 | 1 | | | | •Seat..... | •Siege..... | •Sitz..... | •Asiento..... | •Sits..... | | |
| 16 | VOE 11998561 | 1 | | | | ••Upholstery..... | ••Garniture Habit..... | ••Bezug..... | ••Tapizado..... | ••Klädsel..... | | |
| 17 | VOE 11706320 | 1 | | | | ••Heater..... | ••Elément de chauffa.. | ••Heizkörper..... | ••Calefaccion..... | ••Värmeelement..... | | |
| 18 | VOE 11707343 | 1 | | | | •Backrest..... | •Dossier..... | •Rücken..... | •Respaldo..... | •Rygg..... | | |
| 19 | VOE 11707344 | 1 | | | | ••Upholstery..... | ••Garniture Habit..... | ••Bezug..... | ••Tapizado..... | ••Klädsel..... | | |
| 20 | VOE 11997265 | 1 | | | | ••Lumbar Support..... | ••Repose-reins..... | ••Kreuzstutze..... | ••Placa Lumbar..... | ••Svankplatta..... | | |
| 21 | VOE 11706318 | 1 | | | | ••Heater..... | ••Elément de chauffa.. | ••Heizkörper..... | ••Calefaccion..... | ••Värmeelement..... | | |
| 22 | VOE 3090544 | REQ | | | | •Plastic Hose..... | •Tube Plastique..... | •K-stoffschlauch..... | •Mang Plastico..... | •Plastslang..... | | |
| 23 | VOE 11707348 | 1 | | | | •Hip Belt..... | •Ceinture Hanche..... | •Hüftgurt..... | •Cinturon Cadera..... | •Höftbälte..... | | |

| | | | | |
|---|--|--|----------------|---------|
| 1 | | Luftfjädrande förarstol, Eluppvärmd. | Catalogue id | Group |
| 2 | | Asiento de conducción de suspensión neumática. | 20007 | 852 |
| 3 | | Fahrersitz, Luftfedert. | Illustr. No | Section |
| 4 | | Siège du conducteur suspension pneumatique. | ED148B | 250 |
| 5 | | Operator's seat, heated, air suspended. | Issue | Page |
| | | 80506 | VOE 63D9920007 | 699 |

VOLVO

L90E



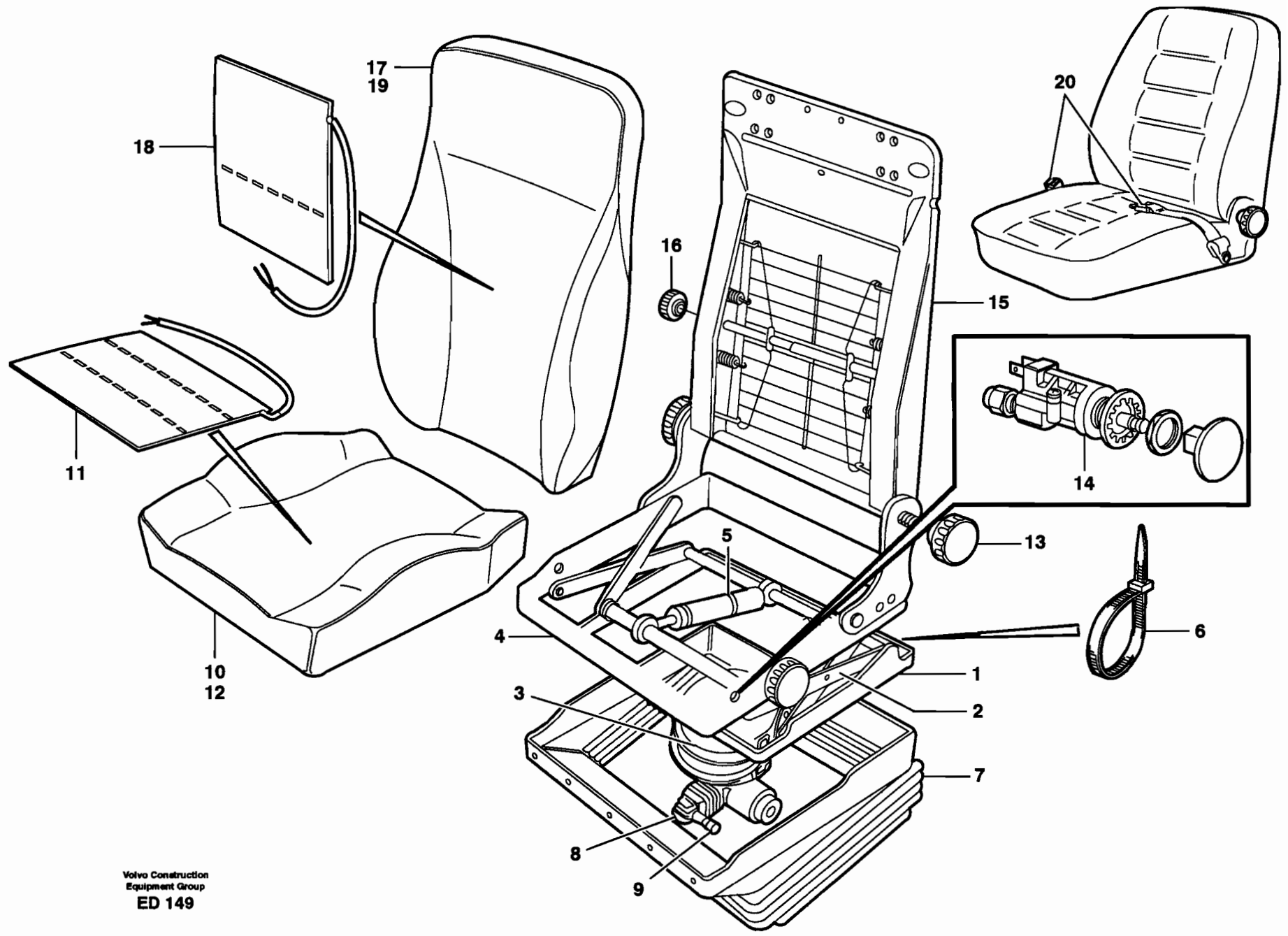
Volvo Construction
Equipment Group
ED 241

| Fig. | Part No. | Quantity | | | | | P S | K I T | Description | Dénomination | Bezeichnung | Denominación | Benämning | Notes |
|------|--------------|----------|---|---|---|---|--------|---------------------------|----------------------------|------------------------|---------------------------|---------------------|-----------|-------|
| | | 1 | 2 | 3 | 4 | 5 | | | | | | | | |
| | VOE 11104015 | 1 | | | | | | Seat | Siege | Sitz | Asiento | Sits | 94909 | |
| 1 | VOE 11998619 | 1 | | | | | | •Frame | •Cadre | •Rahmen | •Cuadro | •Ram | | |
| 2 | VOE 11998613 | 1 | | | | | | •Linkage | •Syst.articulat | •Gelenksystem | •Sistem Articul | •Länksystem | | |
| 3 | VOE 11998614 | 1 | | | | | | •Seat frame | •cadre Siege | •Sitzrahmen | •Marco asiento | •Sitsram | | |
| 4 | VOE 11998615 | 1 | | | | | | •Shock Absorber | •Amortis.confort | •Komf Stosdfr | •Amortiguador | •Stötdämpare | | |
| 5 | VOE 11996419 | 1 | | | | | | •Strip | •Bande | •Streifen | •Cinta | •Band | | |
| 6 | VOE 11996418 | 1 | | | | | | •Protecting Bellows | •Soufflet Protection | •Schutzbalg | •Fuelle Proteccion | •Skyddsbälg | | |
| 7 | VOE 11996410 | 2 | | | | | | •Tension Spring | •Ressort de tractio | •Zugfeder | •Muelle traccion | •Dragfjäder | | |
| 8 | VOE 11996411 | 1 | | | | | | •Seat cushion | •Coussin siege | •Sitzkissen | •Cojin asiento | •Sittdyna | | |
| 9 | VOE 11996416 | 1 | | | | | | •Heater | •Elément de chauff | •Heizkörper | •Calefaccion | •Värmeelement | | |
| 10 | VOE 11998617 | 1 | | | | | | •Upholstery | •Garniture Habit | •Bezug | •Tapizado | •Klädsel | | |
| 11 | VOE 11708910 | 6 | | | | | | •Steering Wheel | •Volant direction | •Lenkrad | •Volante de direcci | •Ratt | | |
| 12 | VOE 11996407 | 1 | | | | | | •Backrest Frame | •Cadre Dossier | •Rückenlehngest | •Marco Respaldo | •Ryggram | | |
| 13 | VOE 11996409 | 1 | | | | | | •Steering Wheel | •Volant direction | •Lenkrad | •Volante de direcci | •Ratt | | |
| 14 | VOE 11996412 | 1 | | | | | | •Backrest Cush | •Dossier | •Rückenlehnpolst | •Cojin Respaldo | •Ryggdyna | | |
| 15 | VOE 11996417 | 1 | | | | | | •Heater | •Elément de chauff | •Heizkörper | •Calefaccion | •Värmeelement | | |
| 16 | VOE 11998618 | 1 | | | | | | •Upholstery | •Garniture Habit | •Bezug | •Tapizado | •Klädsel | | |
| 17 | VOE 11104125 | 1 | | | | | | •Hip Belt | •Ceinture Hanche | •Hüftgurt | •Cinturon Cadera | •Höftbälte | | |

| | | | | |
|---|--------------|--|-----------------------|------------|
| 1 | | Förarstol. Asiento del conductor. Fahrersitz. Siège du conducteur. Driver's seat. | Catalogue id | Group |
| 2 | | | 20007 | 852 |
| 3 | | | Illustr. No | Section |
| 4 | | | ED241 | 300 |
| 5 | | | Issue | Page |
| | 94909 | | VOE 63D9920007 | 701 |

VOLVO

L90E



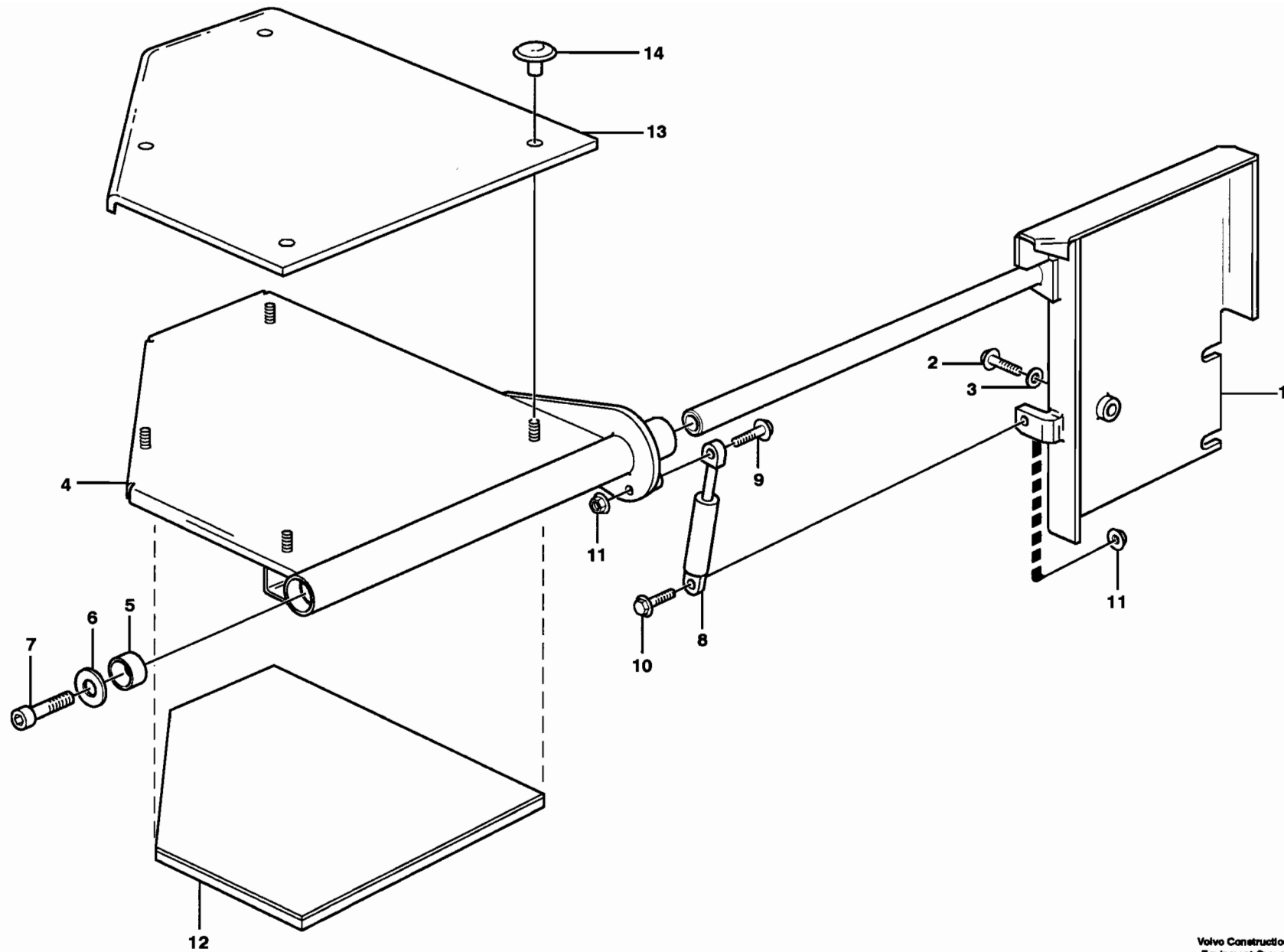
Volvo Construction
 Equipment Group
 ED 149

| Fig. | Part No. | Quantity | | | | | P S | K I T | Description | Dénomination | Bezeichnung | Denominación | Benämning | Notes |
|------|--------------|----------|---|---|---|---|--------|---------------------------|----------------------------|-------------------------|---------------------------|---------------------|-----------|-------|
| | | 1 | 2 | 3 | 4 | 5 | | | | | | | | |
| | VOE 11104016 | 1 | | | | | | Seat | Siege | Sitz | Asiento | Sits | 80572 | |
| 1 | VOE 11998619 | 1 | | | | | | •Frame | •Cadre | •Rahmen | •Cuadro | •Ram | | |
| 2 | VOE 11998620 | 1 | | | | | | •Linkage | •Syst.articulat | •Gelenksystem | •Sistem Articul | •Länksystem | | |
| 3 | VOE 11996421 | 1 | | | | | | •Air Spring | •Ressort Pneuma | •Lufffeder | •Resorte Neumat | •Luftfjäder | | |
| 4 | VOE 11998621 | 1 | | | | | | •Seat frame | •cadre Siege | •Sitzrahmen | •Marco asiento | •Sitsram | | |
| 5 | VOE 11998615 | 1 | | | | | | •Shock Absorber | •Amortis.confort | •Komf Stossdfr | •Amortiguador | •Stötdämpare | | |
| 6 | VOE 11996419 | 1 | | | | | | •Strip | •Bande | •Streifen | •Cinta | •Band | | |
| 7 | VOE 11996418 | 1 | | | | | | •Protecting Bellows | •Soufflet Protection | •Schutzbalg | •Fuelle Proteccion | •Skyddsbälg | | |
| 8 | VOE 11998622 | 1 | | | | | | •Compressor | •Compresseur | •Kompressor | •Compresor | •Kompressor | | |
| 9 | VOE 11701683 | 1 | | | | | | •Check valve | •Valve antiretour | •Rückschlagventil | •Válvula de retenci | •Backventil | | |
| 10 | VOE 11996411 | 1 | | | | | | •Seat cushion | •Coussin siege | •Sitzkissen | •Cojin asiento | •Sittdyna | | |
| 11 | VOE 11996416 | 1 | | | | | | •Heater | •Elément de chauff | •Heizkörper | •Calefaccion | •Värmeelement | | |
| 12 | VOE 11998617 | 1 | | | | | | •Upholstery | •Garniture Habit | •Bezug | •Tapizado | •Klädsel | | |
| 13 | VOE 11708910 | 4 | | | | | | •Steering Wheel | •Volant direction | •Lenkrad | •Volante de direcci | •Ratt | | |
| 14 | VOE 11702361 | 1 | | | | | | •Switch | •Commutateur | •Schalter | •Commutador | •Omkopplare | | |
| 15 | VOE 11996407 | 1 | | | | | | •Backrest Frame | •Cadre Dossier | •Rückenlehngest | •Marco Respaldo | •Ryggram | | |
| 16 | VOE 11996409 | 1 | | | | | | •Steering Wheel | •Volant direction | •Lenkrad | •Volante de direcci | •Ratt | | |
| 17 | VOE 11996412 | 1 | | | | | | •Backrest Cush | •Dossier | •Rückenlehnpolst | •Cojin Respaldo | •Ryggdyna | | |
| 18 | VOE 11996417 | 1 | | | | | | •Heater | •Elément de chauff | •Heizkörper | •Calefaccion | •Värmeelement | | |
| 19 | VOE 11998618 | 1 | | | | | | •Upholstery | •Garniture Habit | •Bezug | •Tapizado | •Klädsel | | |
| 20 | VOE 11104018 | 1 | | | | | | •Hip Belt | •Ceinture Hanche | •Hüftgurt | •Cinturon Cadera | •Höftbälte | | |

| | | | | |
|---|--|--|-----------------------|------------|
| 1 | | Förarstol. Asiento del conductor. Fahrersitz. Siège du conducteur. Driver's seat. 80572 | Catalogue id | Group |
| 2 | | | 20007 | 852 |
| 3 | | | Illustr. No | Section |
| 4 | | | ED149 | 350 |
| 5 | | | Issue | Page |
| | | | VOE 63D9920007 | 703 |

VOLVO

L90E



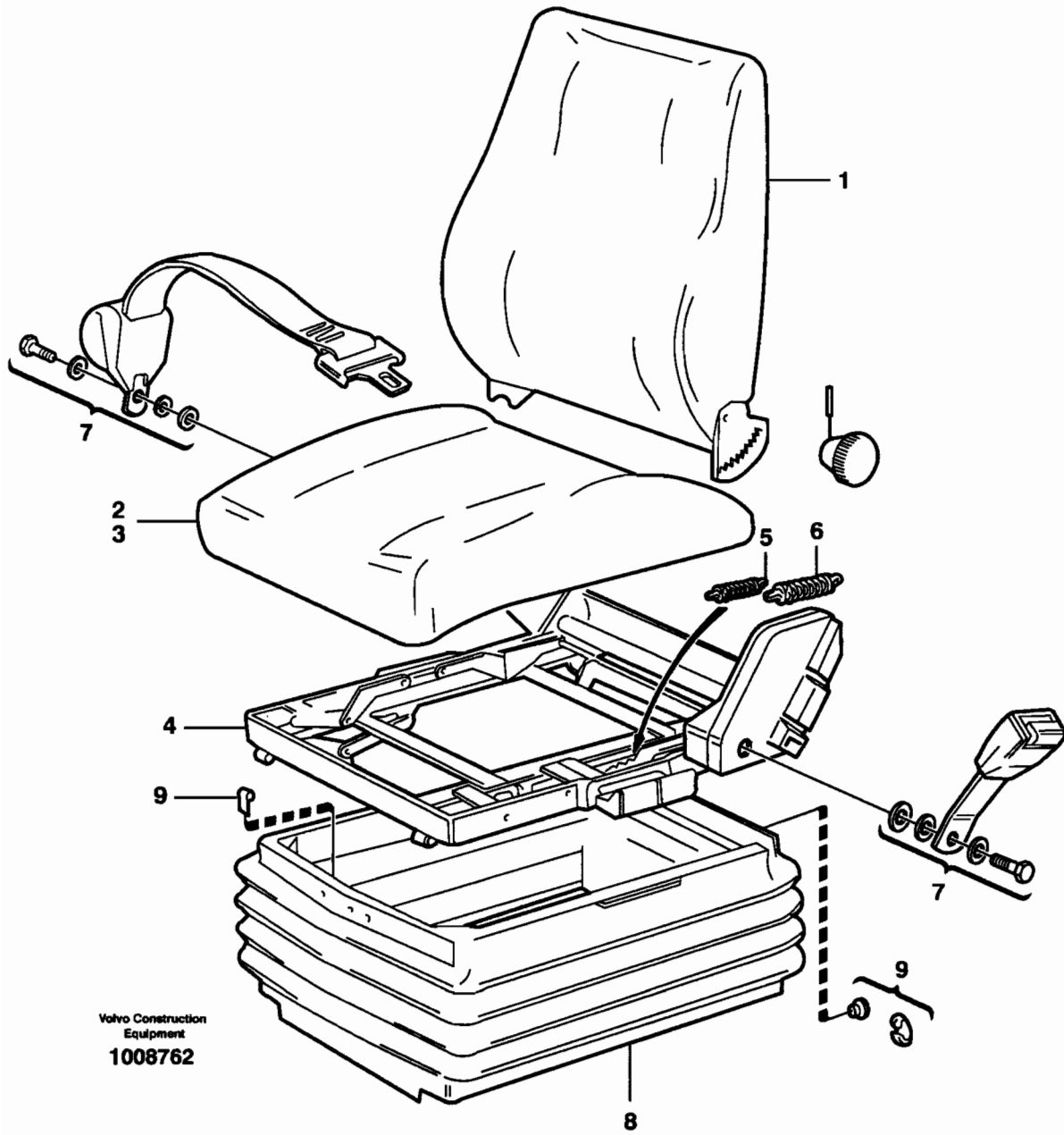
Volvo Construction
Equipment Group
ED 319

| Fig. | Part No. | Quantity | | | P S | K I T | Description | Dénomination | Bezeichnung | Denominación | Benämning | Notes |
|------|--------------|----------|---|---|--------|----------------------|-------------------------|----------------------|---------------------------|---------------------|-----------|-------|
| | | 1 | 2 | 3 | | | | | | | | |
| 1 | VOE 11006129 | 1 | | | | Bracket..... | Console..... | Konsole..... | Ménsula..... | Konsol..... | | |
| 2 | VOE 946472 | 2 | | | | Flange screw..... | Vis à bride..... | Flanschschraube..... | Torn embridado..... | Flänsskruv..... | | |
| 3 | VOE 13960143 | 2 | | | | Washer..... | Rondelle..... | Scheibe..... | Arandela..... | Bricka..... | | |
| 4 | VOE 11006132 | 1 | | | | Seat..... | Siege..... | Sitz..... | Asiento..... | Säte..... | | |
| 5 | VOE 11007110 | 2 | | | | Bushing..... | Bague..... | Buchse..... | Casquillo..... | Bussning..... | | |
| 6 | VOE 4850822 | 1 | | | | Spacer..... | Entretoise..... | Abstandstueck..... | Casquillo distanciad..... | Distans..... | | |
| 7 | VOE 13965191 | 1 | | | | Flange screw..... | Vis à bride..... | Flanschschraube..... | Torn embridado..... | Flänsskruv..... | | |
| 8 | VOE 11007080 | 1 | | | | Gas Spring..... | Ressort Gaz..... | Gasfeder..... | Resorte A Gas..... | Gasfjäder..... | | |
| 9 | VOE 13965176 | 1 | | | | Flange screw..... | Vis à bride..... | Flanschschraube..... | Torn embridado..... | Flänsskruv..... | | |
| 10 | VOE 13947542 | 1 | | | | Screw..... | Vis..... | Schraube..... | Tornillo..... | Skruv..... | | |
| 11 | VOE 13949278 | 2 | | | | Flange Lock Nut..... | Contre écrou bride..... | Flanschmutter..... | Contratuer Embr..... | Flänslåsmutter..... | | |
| 12 | VOE 11006133 | 1 | | | | Upholstery..... | Garniture Habit..... | Bezug..... | Tapizado..... | Klädsel..... | | |
| 13 | VOE 11006134 | 1 | | | | Cushion..... | Coussin..... | Sitzkissen..... | Cojin..... | Dyna..... | | |
| 14 | VOE 11704348 | 4 | | | | Push Button..... | Bouton-poussoir..... | Druckknopf..... | Boton empujador..... | Tryckknapp..... | | |

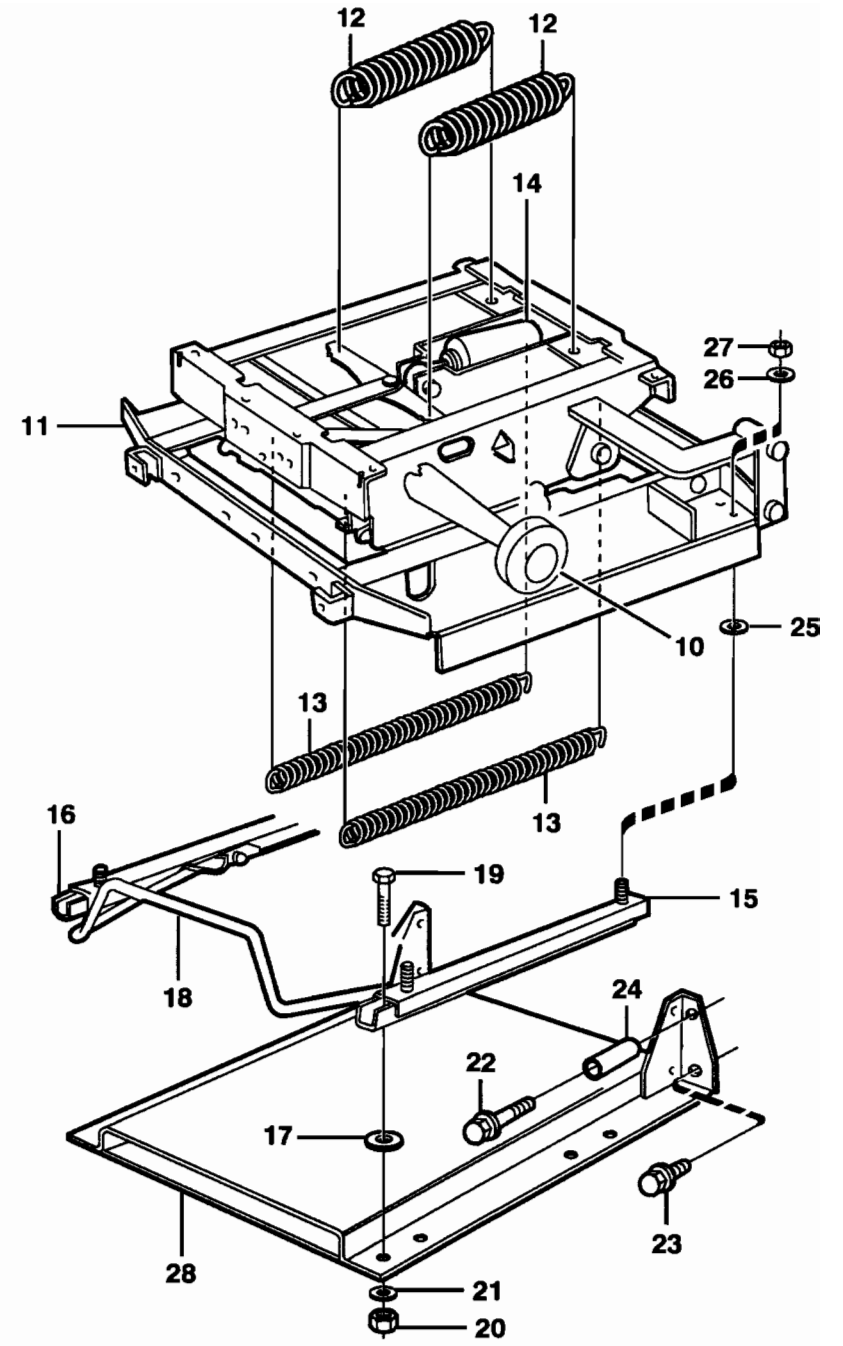
| | | | | |
|---|--|------------------------|----------------|---------|
| 1 | | Instruktörssäte | Catalogue id | Group |
| 2 | | Asiento del instructor | 20007 | 852 |
| 3 | | Sitz | Illustr. No | Section |
| 4 | | Siège du conducteur | ED319 | 400 |
| 5 | | Instructor seat | Issue | Page |
| | | 80556 | VOE 63D9920007 | 705 |

VOLVO

L90E



Volvo Construction
 Equipment
 1008762

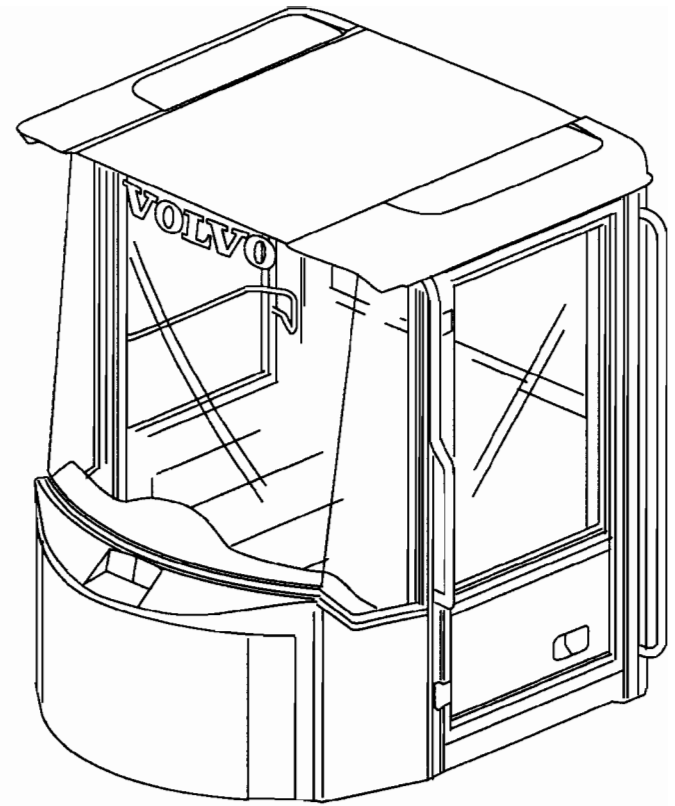
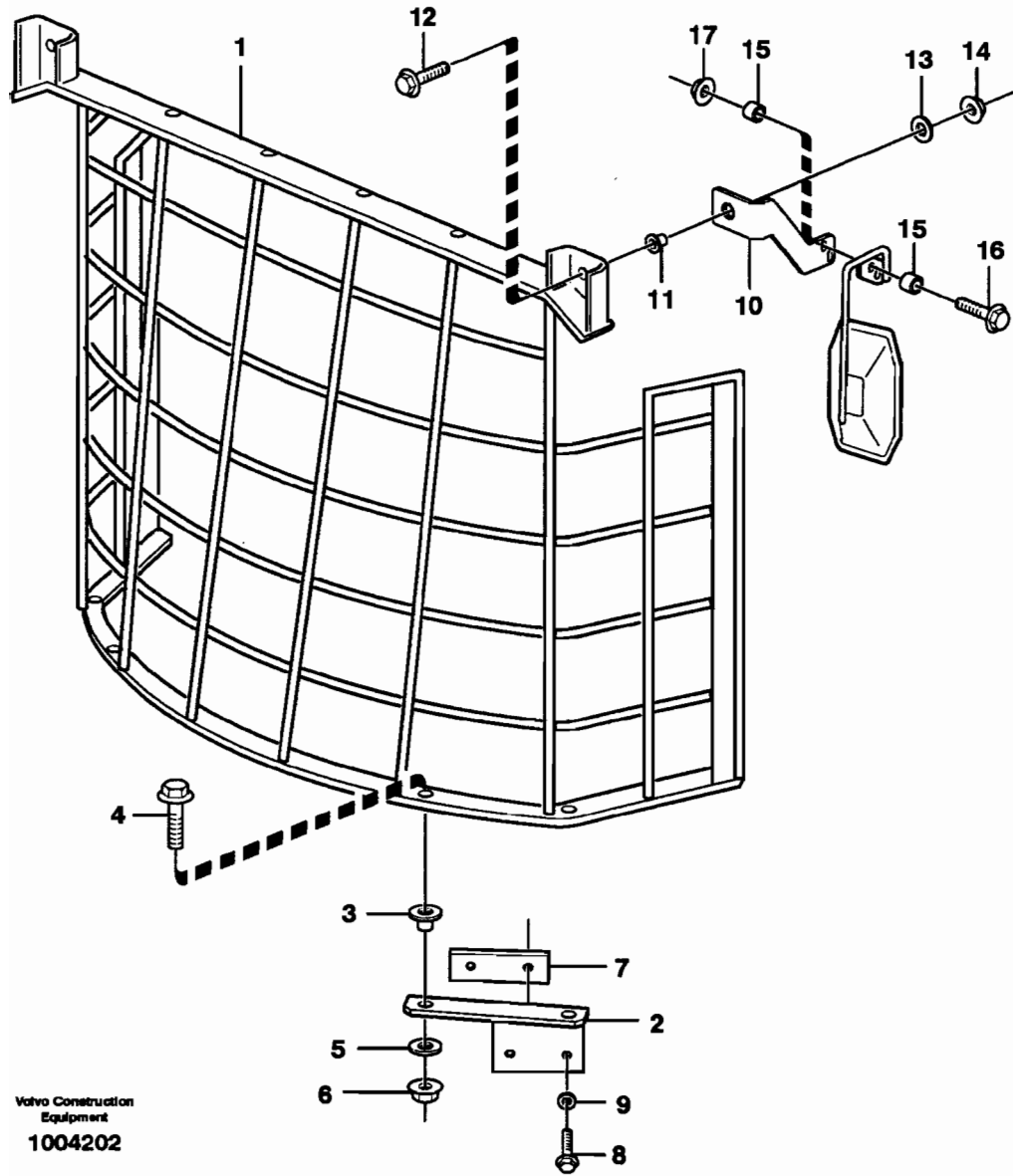


| Fig. | Part No. | Quantity | | | P S | K I T | Description | Dénomination | Bezeichnung | Denominación | Benämning | Notes |
|------|--------------|----------|---|---|--------|-------------------------|-------------------------|------------------------|--------------------------|----------------------|-----------|-------|
| | | 1 | 2 | 3 | | | | | | | | |
| | VOE 11104272 | 1 | | | | Seat..... | Siege..... | Sitz..... | Asiento..... | Sits..... | | |
| 1 | VOE 11707362 | 1 | | | | •Backrest..... | •Dossier..... | •Rucken..... | •Respaldo..... | •Rygg..... | | |
| 2 | VOE 11704771 | 1 | | | | •Seat..... | •Siege..... | •Sitz..... | •Asiento..... | •Sits..... | | |
| 3 | VOE 11704772 | 1 | | | | ••Upholstery..... | ••Garniture Habit..... | ••Bezug..... | ••Tapizado..... | ••Klädsel..... | | |
| 4 | VOE 11707359 | 1 | | | | •Seat frame..... | •cadre Siege..... | •Sitzrahmen..... | •Marco asiento..... | •Sitsram..... | | |
| 5 | VOE 1696529 | 2 | | | | ••Spring..... | ••Ressort..... | ••Feder..... | ••Muelle..... | ••Fjäder..... | | |
| 6 | VOE 1518748 | 1 | | | | ••Spring..... | ••Ressort..... | ••Feder..... | ••Muelle..... | ••Fjäder..... | | |
| 7 | VOE 11707348 | 1 | | | | •Hip Belt..... | •Ceinture Hanche..... | •Hüftgurt..... | •Cinturon Cadera..... | •Höftbälte..... | | |
| 8 | VOE 11998550 | 1 | | | | •Bellows..... | •Capot Caoutcho..... | •Gummimantel..... | •Cubierta Goma..... | •Gummikåpa..... | | |
| 9 | VOE 11998811 | 1 | | | | •Attachment kit..... | •Jeu de fixation..... | •Befestigungssatz..... | •Juego acoplamiento..... | •Fästsats..... | | |
| 10 | VOE 3090569 | 1 | | | | •Knob..... | •Bouton..... | •Knauf..... | •Boton..... | •Knopp..... | | |
| 11 | VOE 11707355 | 1 | | | | •Spring Suspension..... | •Unite Suspension..... | •Federbündel..... | •Unidad Suspension..... | •Fjädringsenhet..... | | |
| 12 | VOE 6213261 | 2 | | | | •Spring..... | •Ressort..... | •Feder..... | •Muelle..... | •Fjäder..... | | |
| 13 | VOE 11707356 | 2 | | | | •Spring..... | •Ressort..... | •Feder..... | •Muelle..... | •Fjäder..... | | |
| 14 | VOE 11707351 | 1 | | | | •Shock absorber..... | •Amortisseur..... | •Stossdämpfer..... | •Amortiguador..... | •Stötdämpare..... | | |
| 15 | VOE 11104093 | 1 | | | | Slide Rail..... | Rail Guidage..... | Gleitschiene..... | Riel Deslizam..... | Glidskena..... | LH | |
| 16 | VOE 11104092 | 1 | | | | Slide Rail..... | Rail Guidage..... | Gleitschiene..... | Riel Deslizam..... | Glidskena..... | RH | |
| 17 | VOE 13960141 | 4 | | | | Washer..... | Rondelle..... | Scheibe..... | Arandela..... | Bricka..... | | |
| 18 | VOE 11006044 | 1 | | | | Handle..... | Poignee..... | Griff..... | Mango..... | Handtag..... | | |
| 19 | VOE 4870448 | 4 | | | | Screw..... | Vis..... | Schraube..... | Tornillo..... | Skruv..... | | |
| 20 | VOE 948645 | 4 | | | | Flange Lock Nut..... | Contre écrou bride..... | Flanschmutter..... | Contratuer Embr..... | Flänslåsmutter..... | | |
| 21 | VOE 13960141 | 4 | | | | Washer..... | Rondelle..... | Scheibe..... | Arandela..... | Bricka..... | | |
| 22 | VOE 13947790 | 2 | | | | Flange screw..... | Vis à bride..... | Flanschschraube..... | Torn embridado..... | Flänsskruv..... | | |
| 23 | VOE 946329 | 2 | | | | Flange screw..... | Vis à bride..... | Flanschschraube..... | Torn embridado..... | Flänsskruv..... | | |
| 24 | VOE 930457 | 2 | | | | Spacer Ring..... | Bagu.entretoise..... | Abstandring..... | Anillo Dist..... | Distansring..... | | |
| 25 | VOE 13960143 | 4 | | | | Washer..... | Rondelle..... | Scheibe..... | Arandela..... | Bricka..... | | |
| 26 | VOE 13960141 | 4 | | | | Washer..... | Rondelle..... | Scheibe..... | Arandela..... | Bricka..... | | |
| 27 | VOE 13945408 | 4 | | | | Nut..... | Ecrou..... | Mutter..... | Tuerca..... | Mutter..... | | |
| 28 | VOE 11007410 | 1 | | | | Seat Bracket..... | Etrier De Siege..... | Sitzkonsole..... | Consola Asiento..... | Sitskonsol..... | | |

| | | | | |
|---|--|--|-----------------------|------------|
| 1 | | Förarstol med monteringsdetaljer | Catalogue id | Group |
| 2 | | Asiento del conductor con piezas de montaje | 20007 | 852 |
| 3 | | Fahrersitz mit Anbauteilen | Illustr. No | Section |
| 4 | | Siège conducteur avec pièces de montage | 1008762 | 450 |
| 5 | | Operator seat with fitting parts | Issue | Page |
| | | OPEN ROPS | VOE 63D9920007 | 707 |

VOLVO

L90E



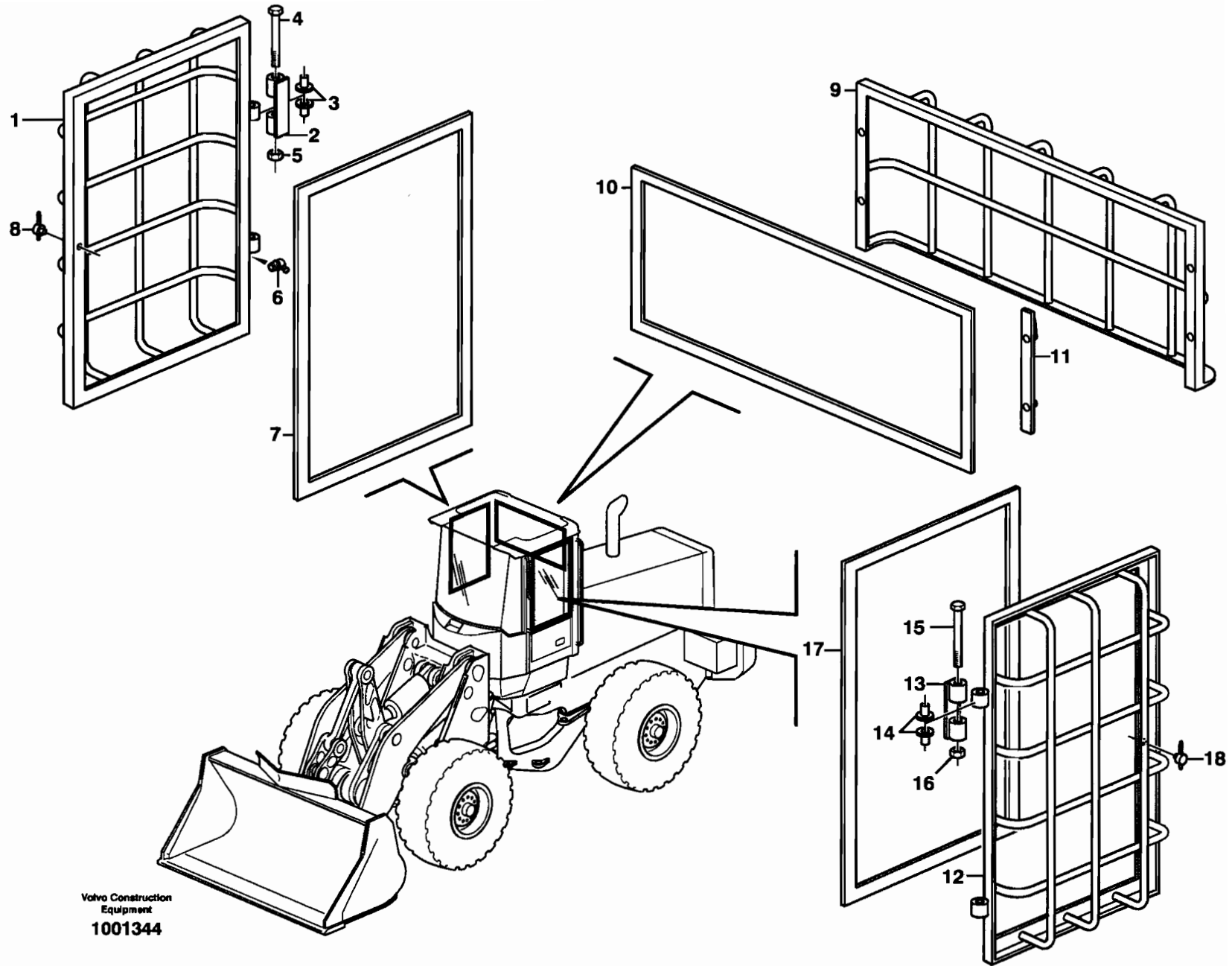
Volvo Construction
 Equipment
 1004202

| Fig. | Part No. | Quantity | | | P S | K I T | Description | Dénomination | Bezeichnung | Denominación | Benämning | Notes |
|------|--------------|----------|---|---|--------|-------------|----------------------|--------------------------|----------------------|--------------------------|---------------------|----------------|
| | | 1 | 2 | 3 | | | | | | | | |
| 1 | VOE 11164402 | 1 | | | | | Ptct Grating | Grille Protect. | Schutzgitter | Rejilla Protección | Skyddsgaller..... | |
| 2 | VOE 11164393 | 1 | | | | | Anchorage..... | Fixation | Halterung..... | Fijación | Fäste..... | LH |
| | VOE 11164416 | 1 | | | | | Anchorage..... | Fixation | Halterung..... | Fijación | Fäste..... | RH |
| 3 | VOE 6513604 | 4 | | | | | Base..... | Assise | Unterlage..... | Base | Underlägg..... | |
| 4 | VOE 13965196 | 4 | | | | | Screw | Vis | Schraube..... | Tornillo | Skruv..... | |
| 5 | VOE 4746301 | 4 | | | | | Washer..... | Rondelle..... | Scheibe | Arandela..... | Bricka..... | |
| 6 | VOE 971099 | 4 | | | | | Flange Lock Nut..... | Contre écrou bride | Flanschmutter | Contratuer Embr..... | Flänslåsmutter..... | (VOE 13971099) |
| 7 | VOE 11079238 | 2 | | | | | Plate..... | Tôle | Blech | Chapa..... | Plåt..... | |
| 8 | VOE 13965193 | 4 | | | | | Screw | Vis | Schraube..... | Tornillo | Skruv..... | |
| 9 | VOE 13960145 | 4 | | | | | Washer..... | Rondelle..... | Scheibe | Arandela..... | Bricka..... | |
| 10 | VOE 11164410 | 1 | | | | | Bracket..... | Ferrure-support | Tragstütze | Hierro Apoyo | Bärjörn..... | LH |
| | VOE 11164409 | 1 | | | | | Bracket..... | Ferrure-support | Tragstütze | Hierro Apoyo | Bärjörn..... | RH |
| 11 | VOE 6513604 | 2 | | | | | Base..... | Assise | Unterlage..... | Base | Underlägg..... | |
| 12 | VOE 13965196 | 2 | | | | | Screw | Vis | Schraube..... | Tornillo | Skruv..... | |
| 13 | VOE 4746301 | 2 | | | | | Washer..... | Rondelle..... | Scheibe | Arandela..... | Bricka..... | |
| 14 | VOE 971099 | 2 | | | | | Flange Lock Nut..... | Contre écrou bride | Flanschmutter | Contratuer Embr..... | Flänslåsmutter..... | (VOE 13971099) |
| 15 | VOE 13930447 | 8 | | | | | Spacer Ring | Bagu.entretoise..... | Abstandring | Anillo Dist | Distansring..... | |
| 16 | VOE 13965187 | 4 | | | | | Flange screw..... | Vis à bride | Flanschschraube..... | Torn embridado..... | Flänsskruv..... | |
| 17 | VOE 13971098 | 4 | | | | | Flange nut..... | Ecrou accouple. | Bundmutter..... | Tuerca embridad | Flänsmutter..... | |

| | | | | |
|---|--------------|--|----------------|------------|
| 1 | | Skyddsgaller för frontruta. Rejilla proteccion, cristal delantero. Schutzgitter für Frontscheibe. Grille protection, par-brise. Windshild guard for windshield. | Catalogue id | Group |
| 2 | | | 20007 | 860 |
| 3 | | | Illustr. No | Section |
| 4 | | | 1004202 | 125 |
| 5 | | | Issue | Page |
| | 82492 | VOE 63D9920007 | 709 | |

VOLVO

L90E



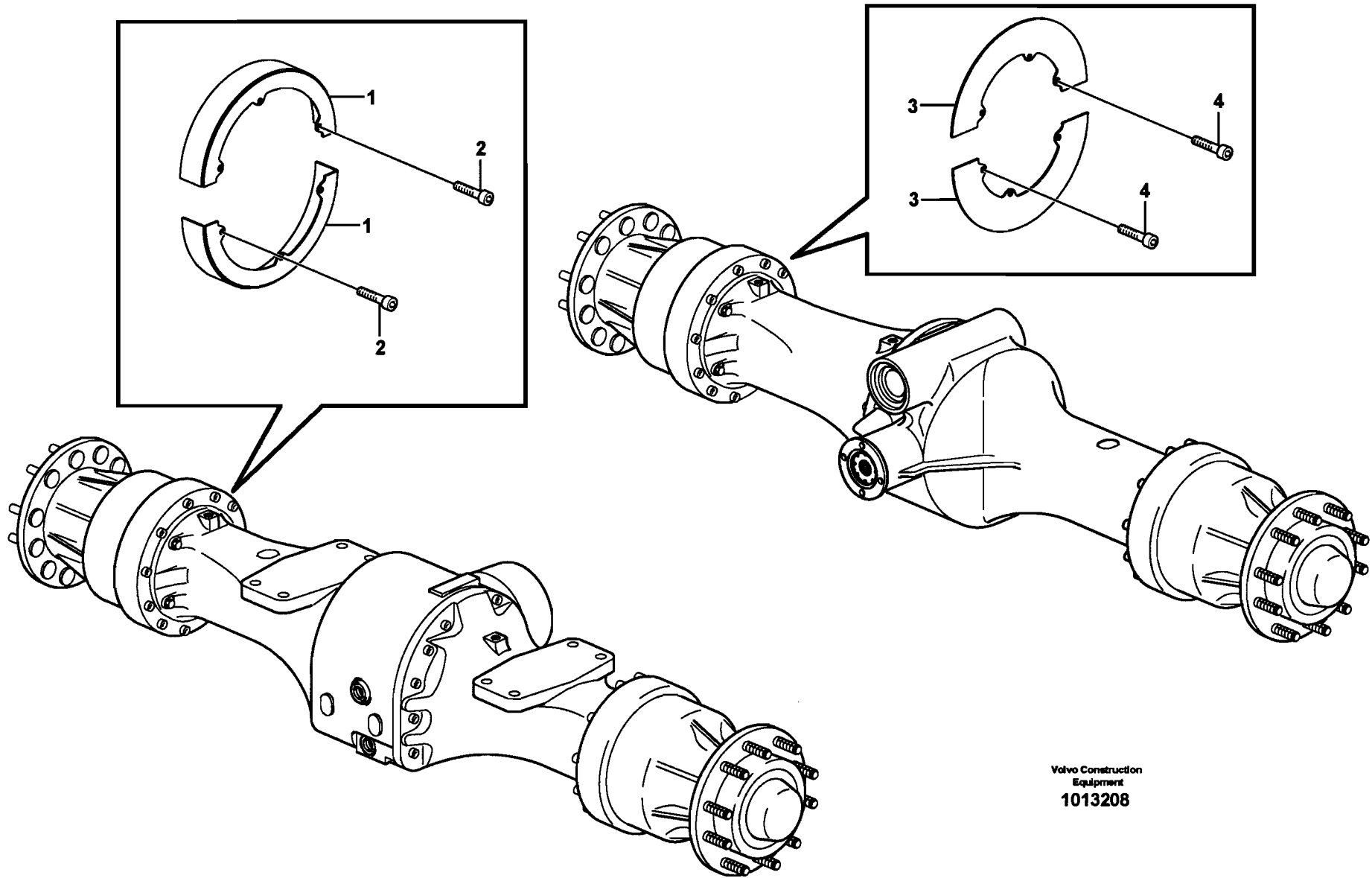
Volvo Construction
Equipment
1001344

| Fig. | Part No. | Quantity | | | P S | K I T | Description | Dénomination | Bezeichnung | Denominación | Benämning | Notes |
|------|--------------|----------|-----|---|--------|-------------|--------------------|------------------------|----------------------|----------------------|--------------------|-------|
| | | 1 | 2 | 3 | | | | | | | | |
| 1 | VOE 11079448 | 1 | | | | | Window Frame..... | Cadre Fenetre..... | Fensterrahmen..... | Marco Ventana..... | Fönsterram..... | |
| 2 | VOE 11079461 | 2 | | | | | Hinge Half..... | Demi-articulat..... | Gelenkhälfte..... | Mitad Charnela..... | Ledhalva..... | |
| 3 | VOE 11079432 | 4 | | | | | Bushing..... | Bague..... | Buchse..... | Casquillo..... | Bussning..... | |
| 4 | VOE 955402 | 2 | | | | | Hexagon screw..... | Vis tête hexagonale... | Sechskantschraube... | Tornillo hexago..... | Sexkantsskruv..... | |
| 5 | VOE 13961996 | 2 | | | | | Nut..... | Ecrou..... | Mutter..... | Tuerca..... | Mutter..... | |
| 6 | VOE 914170 | 1 | | | | | Nipple..... | Raccord..... | Nippel..... | Niple..... | Nippel..... | |
| 7 | VOE 11079470 | REQ | REQ | | | | Sealing strip..... | Lisse etancheite..... | Dichtleiste..... | Moldura reten..... | Tätningslist..... | |
| 8 | VOE 11079497 | 1 | | | | | Lock..... | Serrure..... | Schloss..... | Cierre..... | Lås..... | |
| 9 | VOE 11141681 | 1 | 1 | | | | Guard..... | Protection..... | Schutz..... | Protección..... | Skydd..... | |
| 10 | VOE 11079470 | REQ | REQ | | | | Sealing strip..... | Lisse etancheite..... | Dichtleiste..... | Moldura reten..... | Tätningslist..... | |
| 11 | VOE 11141731 | 1 | | | | | Attachment..... | Fixation..... | Halterung..... | Fijacion..... | Fäste..... | LH |
| | VOE 11141732 | 1 | | | | | Attachment..... | Fixation..... | Halterung..... | Fijacion..... | Fäste..... | RH |
| 12 | VOE 11079458 | 1 | | | | | Window Frame..... | Cadre Fenetre..... | Fensterrahmen..... | Marco Ventana..... | Fönsterram..... | |
| 13 | VOE 11079461 | 2 | | | | | Hinge Half..... | Demi-articulat..... | Gelenkhälfte..... | Mitad Charnela..... | Ledhalva..... | |
| 14 | VOE 11079432 | 4 | | | | | Bushing..... | Bague..... | Buchse..... | Casquillo..... | Bussning..... | |
| 15 | VOE 955402 | 2 | | | | | Hexagon screw..... | Vis tête hexagonale... | Sechskantschraube... | Tornillo hexago..... | Sexkantsskruv..... | |
| 16 | VOE 13961996 | 2 | | | | | Nut..... | Ecrou..... | Mutter..... | Tuerca..... | Mutter..... | |
| 17 | VOE 11079470 | REQ | REQ | | | | Sealing strip..... | Lisse etancheite..... | Dichtleiste..... | Moldura reten..... | Tätningslist..... | |
| 18 | VOE 11079497 | 1 | | | | | Lock..... | Serrure..... | Schloss..... | Cierre..... | Lås..... | |

| | | | | |
|---|--|--|-----------------------|------------|
| 1 | | Skyddsgaller, sidorutor och bakruta. Rejilla proteccion, ventana lateral y luneta posterior. Schutzgitter für Seitenscheibe und Heckfenster. Grille protection, vitre laterale et lunette AR. Window guards, side and rear windows. 80144 | Catalogue id | Group |
| 2 | | | 20007 | 860 |
| 3 | | | Illustr. No | Section |
| 4 | | | 1001344 | 150 |
| 5 | | | Issue | Page |
| | | | VOE 63D9920007 | 711 |

VOLVO

L90E



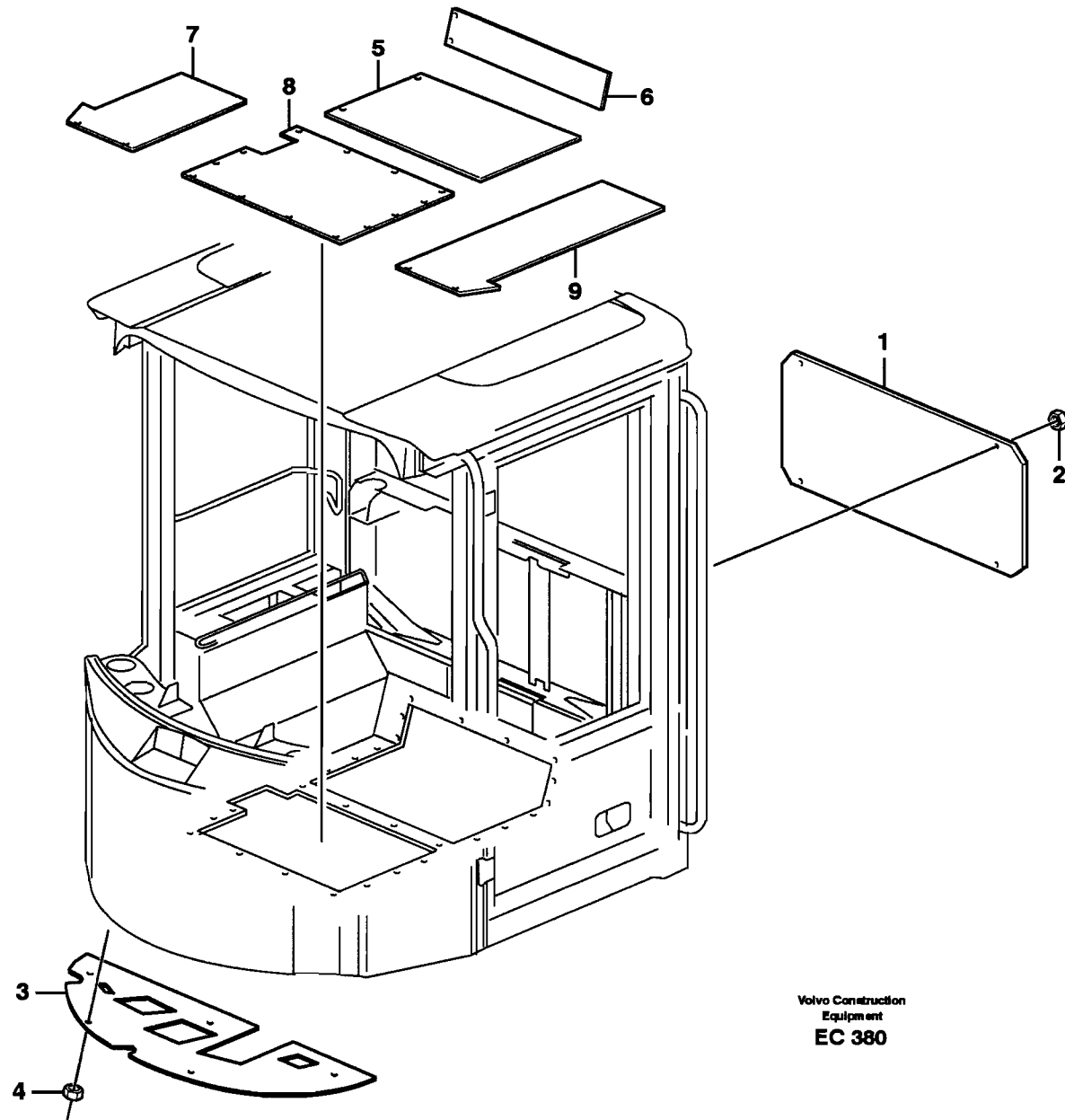
Valvo Construction
Equipment
1013208

| Fig. | Part No. | Quantity | | | P S | K I T | Description | Dénomination | Bezeichnung | Denominación | Benämning | Notes |
|------|--------------|----------|---|---|--------|-----------------|-----------------|---------------|------------------|--------------|-----------|-------|
| | | 1 | 2 | 3 | | | | | | | | |
| 1 | VOE 11180501 | 4 | | | | Protection..... | Protection..... | Schutz | Proteccion | Skydd..... | | |
| 2 | VOE 13947373 | 12 | | | | Screw..... | Vis..... | Schraube..... | Tornillo | Skruv..... | | |
| 3 | VOE 11180504 | 4 | | | | Protection..... | Protection..... | Schutz | Proteccion | Skydd..... | | |
| 4 | VOE 13947373 | 12 | | | | Screw..... | Vis..... | Schraube..... | Tornillo | Skruv..... | | |

| | | | | |
|---|--|---------------------|----------------|------------|
| 1 | | Navskydd | Catalogue id | Group |
| 2 | | Protección de cubo | 20007 | 860 |
| 3 | | Nabenschutz | Illustr. No | Section |
| 4 | | Protection de moyeu | 1013208 | 300 |
| 5 | | Hub protection | Issue | Page |
| | | 82245 | VOE 63D9920007 | 713 |

VOLVO

L90E



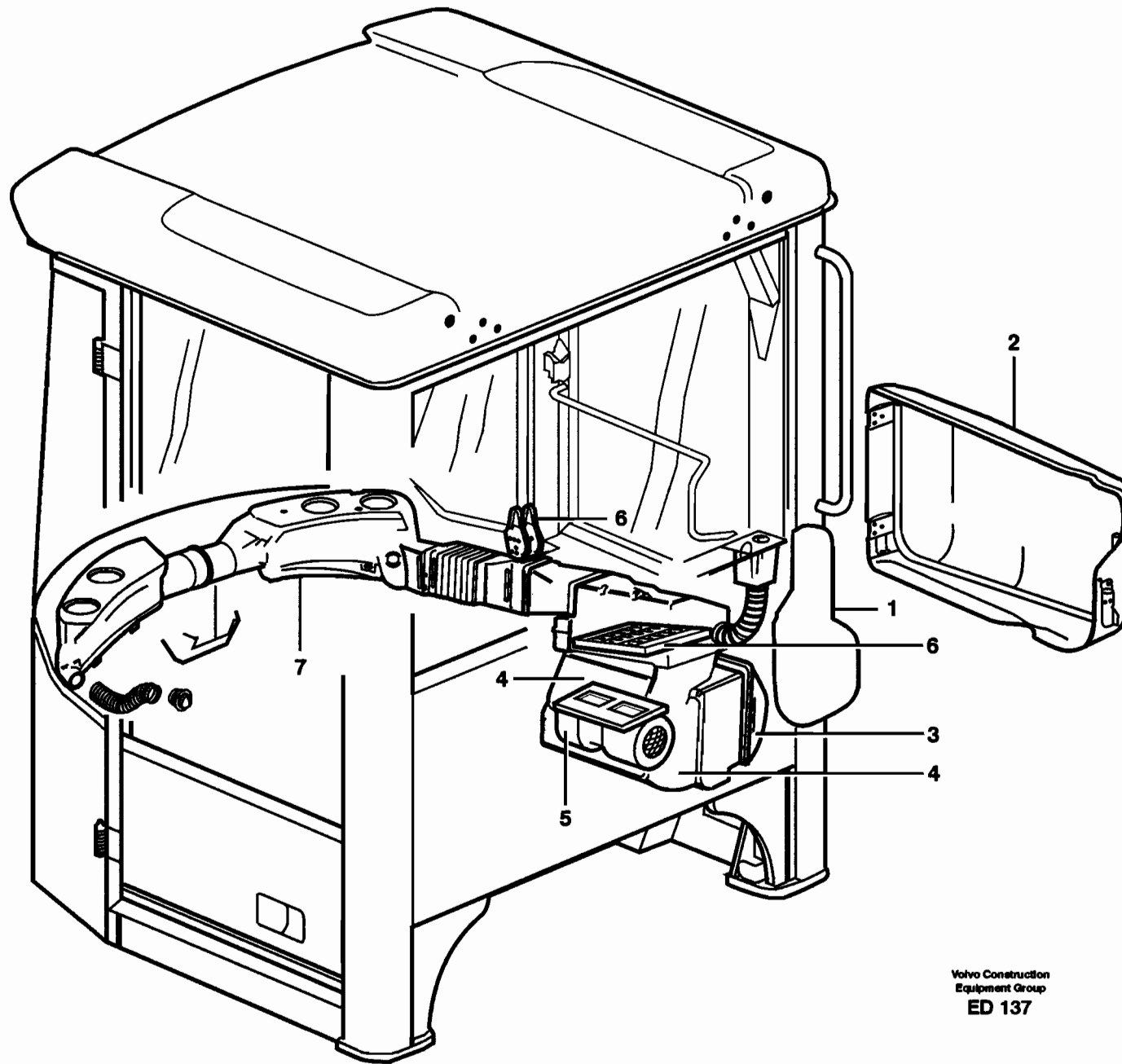
Volvo Construction
Equipment
EC 380

| Fig. | Part No. | Quantity | | | P S | K I T | Description | Dénomination | Bezeichnung | Denominación | Benämning | Notes |
|------|--------------|----------|---|----|--------|------------------|---------------------|------------------|--------------------------|---------------|-----------|-------|
| | | 1 | 2 | 3 | | | | | | | | |
| 1 | VOE 11006308 | 1 | 1 | | | Rear Panel..... | Tole Ar | Heckblech | Chapa Posterior | Bakplåt..... | | |
| 2 | VOE 13945407 | 4 | 4 | | | Nut | Ecrou..... | Mutter..... | Tuerca | Mutter..... | | |
| 3 | VOE 11006085 | 1 | 1 | | | Floor Panel..... | Tole Plancher..... | Bodenblech | Plancha Piso | Golvplåt..... | | |
| 4 | VOE 13945407 | 5 | 5 | | | Nut | Ecrou..... | Mutter..... | Tuerca | Mutter..... | | |
| 5 | VOE 11006082 | 1 | 1 | | | Plate..... | Tole | Blech | Chapa..... | Plåt..... | | |
| 6 | VOE 11006081 | 1 | 1 | | | Plate..... | Tole | Blech | Chapa..... | Plåt..... | | |
| 7 | VOE 11006084 | 1 | 1 | | | Plate..... | Tole | Blech | Chapa..... | Plåt..... | | |
| | VOE 11164499 | 1 | | | | Floor Panel..... | Tole Plancher..... | Bodenblech | Plancha Piso | Golvplåt..... | | |
| | | | 1 | NS | | Floor Plate..... | Plancher..... | Bodenbelag | Plancha piso suelo | Durk..... | | |
| 8 | | 1 | | NS | | Floor panel..... | Tole plancher | Bodenblech | Plancha piso..... | Golvplåt..... | | |
| | | 1 | | NS | | Floor Panel..... | Tole Plancher..... | Bodenblech | Plancha Piso | Golvplåt..... | | |
| 9 | VOE 11006083 | 1 | 1 | | | Plate..... | Tole | Blech | Chapa..... | Plåt..... | | |

| | | | | |
|---|-------|---|----------------|------------|
| 1 | 80490 | Ljudisolering. Equipo insonorizante. Schallisoliermaterial. Equipment insonorisant. Noise reduction. | Catalogue id | Group |
| 2 | 82553 | | 20007 | 865 |
| 3 | | | Illustr. No | Section |
| 4 | | | EC380 | 100 |
| 5 | | | Issue | Page |
| | | | VOE 63D9920007 | 715 |

VOLVO

L90E



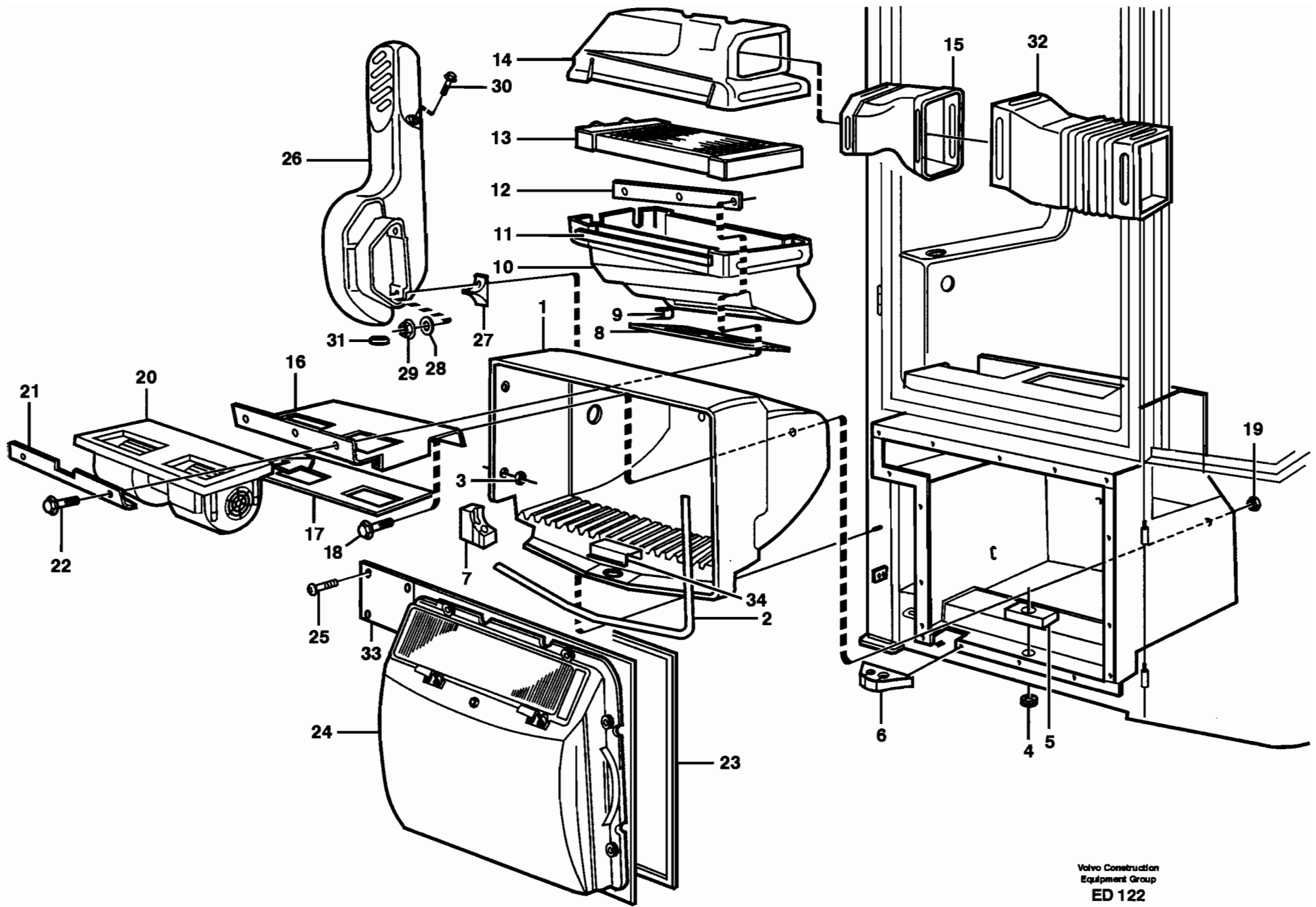
Volvo Construction
Equipment Group
ED 137

| Fig. | Part No. | Quantity | | | P S | K I T | Description | Dénomination | Bezeichnung | Denominación | Benämning | Notes |
|------|----------|----------|---|---|--------|---------------------------|---------------------------|------------------------|--------------------------|-----------------------|-------------------------|-------|
| | | 1 | 2 | 3 | | | | | | | | |
| 1 | | 1 | | | | Fresh aire inlet | Entrée air frais..... | Fischlufteinlass..... | Toma aire fresco | Friskluftintag..... | See group 872, Page 719 | |
| 2 | | 1 | | | | Filter cover | Couvercle de filtre | Filterdeckel..... | Tapa de filtro | Filterkåpa..... | See group 837, Page 675 | |
| 3 | | 1 | | | | Air filter..... | Filtre air | Luftfilter | Filtro aire | Luftfilter..... | See group 872, Page 723 | |
| 4 | | 1 | | | | Fan housing | Boit.ventilate. | Gebälaseschacht | Caja ventil | Fläkthus..... | See group 872, Page 719 | |
| 5 | | 1 | | | | Fan..... | Ventilateur | Gebälase..... | Ventilador | Kupéfläkt..... | See group 872, Page 727 | |
| 6 | | 1 | | | | Heat. unit a. control.... | Radiateur et reglage .. | Heizkörper und regler. | Radiator y reglaje | Radiator och reglage. | See group 873, Page 731 | |
| 7 | | 1 | | | | Air ducts | Canalisation d'air..... | Luftkanäle..... | Canales de aire | Luftkanaler..... | See group 872, Page 725 | |

| | | | |
|---|--|-----------------------|------------|
| 1 | Luftdistribution Distribucion del aire Luftverteilung Distribution d'air Air distribution | Catalogue id | Group |
| 2 | | 20007 | 872 |
| 3 | | Illustr. No | Section |
| 4 | | ED137 | 100 |
| 5 | | Issue | Page |
| | | VOE 63D9920007 | 717 |

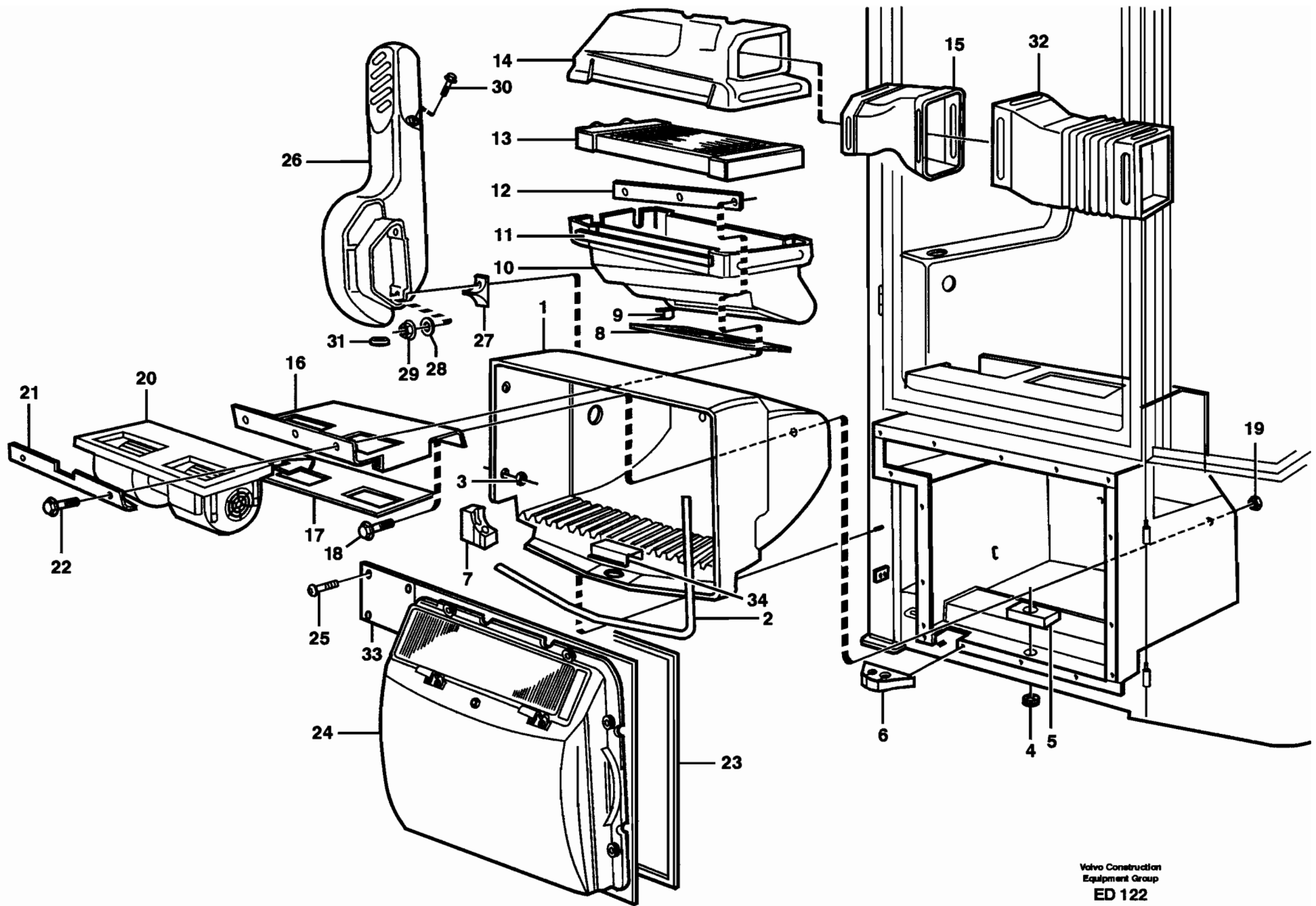
VOLVO

L90E



| Fig. | Part No. | Quantity | | | P S | K I T | Description | Dénomination | Bezeichnung | Denominación | Benämning | Notes |
|------|--------------|----------|---|---|--------|----------------------|--------------------------|-----------------------|-------------------------|---------------------|-------------------------|-------|
| | | 1 | 2 | 3 | | | | | | | | |
| 1 | VOE 11006157 | 1 | | | | Fan Housing..... | Boit.ventilate..... | Gebälaseschacht..... | Caja Ventil..... | Fläkthus..... | | |
| 2 | VOE 4881656 | REQ | | | | Framework moulding . | Baguette claire-voie ... | Kubelstange..... | Moldura armadura..... | Skelettlst..... | L=1500MM | |
| 3 | VOE 941266 | 1 | | | | Plug..... | Bouchon..... | Stopfen..... | Tapon..... | Plugg..... | | |
| 4 | VOE 11007026 | 1 | | | | Check valve..... | Valve antiretour..... | Rückschlagventil..... | Válvula de retención... | Backventil..... | | |
| 5 | VOE 11104415 | 1 | | | | Seal..... | Joint..... | Dichtung..... | Reten..... | Tätning..... | | |
| 6 | VOE 11104894 | 1 | | | | Seal..... | Joint..... | Dichtung..... | Reten..... | Tätning..... | | |
| 7 | VOE 11104411 | 1 | | | | Seal..... | Joint..... | Dichtung..... | Reten..... | Tätning..... | | |
| 8 | VOE 11006638 | 2 | | | | Seal..... | Joint..... | Dichtung..... | Reten..... | Tätning..... | | |
| 9 | VOE 11006983 | 4 | | | | Clip..... | Clip..... | Klemme..... | Clip..... | Clips..... | | |
| 10 | VOE 11104661 | 1 | | | | Housing..... | Carter..... | Gehäuse..... | Carter..... | Hus..... | | |
| 11 | VOE 762681 | REQ | | | | Rubber Moulding..... | Joint Caoutchouc..... | Gummileiste..... | Liston Goma..... | Gummilist..... | L=700MM | |
| 12 | VOE 11006635 | 1 | | | | Anchorage..... | Fixation..... | Halterung..... | Fijacion..... | Fäste..... | | |
| 13 | | 1 | | | | Radiator..... | Radiateur..... | Kuhler..... | Radiador..... | Kylare..... | See group 873, Page 731 | |
| 14 | VOE 11104439 | 1 | | | | Distr Housing..... | Boitier Allume..... | Vert Geh..... | Caja Distrib..... | Fördelarhus..... | | |
| 15 | VOE 11007208 | 1 | | | | Pipe End..... | Embout Tuyau..... | Stutzen..... | Final Tubo..... | Stos..... | | |
| 16 | VOE 11006952 | 1 | | | | Bracket..... | Console..... | Konsole..... | Consola..... | Konsol..... | | |
| 17 | VOE 11006924 | 1 | | | | Gasket..... | Joint..... | Dichtung..... | Junta..... | Packning..... | | |
| 18 | VOE 13946934 | 2 | | | | Screw..... | Vis..... | Schraube..... | Tornillo..... | Skruv..... | | |
| 19 | VOE 13949278 | 2 | | | | Flange Lock Nut..... | Contre écrou bride..... | Flanschmutter..... | Contratuer Embr..... | Flänslåsmutter..... | | |
| 20 | | 1 | | | | Fan..... | Ventilateur..... | Gebälse..... | Ventilador..... | Kupéfläkt..... | See group 872, Page 727 | |
| 21 | VOE 11006925 | 1 | | | | Ruler..... | Regle..... | Latte..... | Regla..... | Linjal..... | | |
| 22 | VOE 13946934 | 3 | | | | Screw..... | Vis..... | Schraube..... | Tornillo..... | Skruv..... | | |
| 23 | VOE 762681 | REQ | | | | Rubber Moulding..... | Joint Caoutchouc..... | Gummileiste..... | Liston Goma..... | Gummilist..... | L=2500MM | |
| 24 | | 1 | | | | Filter..... | Filtre..... | Filter..... | Filtro..... | Filter..... | See group 872, Page 723 | |
| 25 | VOE 972092 | 16 | | | | Screw..... | Vis..... | Schraube..... | Tornillo..... | Skruv..... | | |
| 26 | VOE 11092421 | 1 | | | | Fresh Air Duct..... | Tuyau.air Frais..... | Frischlufkanal..... | Canal Air Fresc..... | Frischlufkanal..... | | |
| 27 | VOE 11104446 | 2 | | | | Seal..... | Joint..... | Dichtung..... | Reten..... | Tätning..... | | |
| 28 | VOE 13960141 | 2 | | | | Washer..... | Rondelle..... | Scheibe..... | Arandela..... | Bricka..... | (VOE 976944) | |
| 29 | VOE 13945408 | 2 | | | | Nut..... | Ecrou..... | Mutter..... | Tuerca..... | Mutter..... | | |
| 30 | VOE 947107 | 1 | | | | Flange screw..... | Vis à bride..... | Flanschschraube..... | Tomn embridado..... | Flänsskruv..... | | |

| | | | | |
|---|--|--|----------------|---------|
| 1 | | Friskluftintag, luftfilter och fläkthus. Toma aire fresco, filtro de aire y caja ventilador Frischlufteinlass, Luftfilter und Gebläseschacht. Entrée air frais, filtre a air et boîtier ventilateur. Fresh air inlet, air filter and fan housing. | Catalogue id | Group |
| 2 | | | 20007 | 872 |
| 3 | | | Illustr. No | Section |
| 4 | | | ED122 | 125 |
| 5 | | | Issue | Page |
| | | | VOE 63D9920007 | 719 |

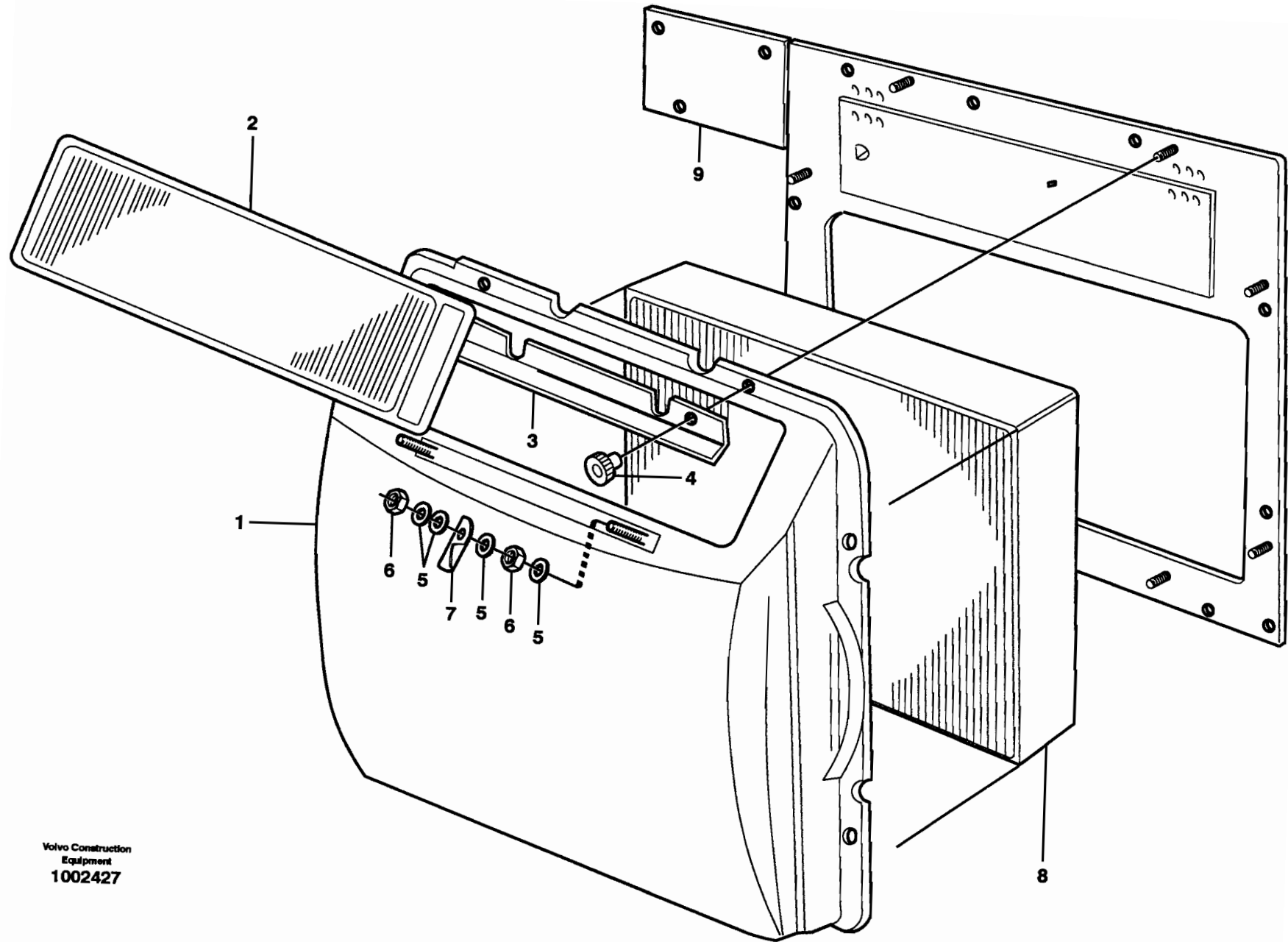


| Fig. | Part No. | Quantity | | | P S | K I T | Description | Dénomination | Bezeichnung | Denominación | Benämning | Notes |
|------|---------------------|----------|---|---|--------|---------------|-----------------|----------------|-----------------|----------------|-------------------------|-------|
| | | 1 | 2 | 3 | | | | | | | | |
| 31 | VOE 979662 | 1 | | | | Plug..... | Bouchon..... | Stopfen..... | Tapon..... | Plugg..... | | |
| 32 | | 1 | | | | Air duct..... | Canal air..... | Luftkanal..... | Canal aire..... | Luftkanal..... | See group 872, Page 725 | |
| 33 | | 1 | | | | Plate..... | Plaque..... | Platte..... | Placa..... | Platta..... | See group 872, Page 723 | |
| 34 | VOE 11006103 | 1 | | | | Guard..... | Protection..... | Schutz..... | Protección..... | Skydd..... | | |

| | | | |
|---|--|-----------------------|------------|
| 1 | Friskluftintag, luftfilter och fläkthus. Toma aire fresco, filtro de aire y caja ventilador Frischlufteinlass, Luftfilter und Gebläseschacht. Entrée air frais, filtre a air et boîtier ventilateur. Fresh air inlet, air filter and fan housing. | Catalogue id | Group |
| 2 | | 20007 | 872 |
| 3 | | Illustr. No | Section |
| 4 | | ED122 | 125 |
| 5 | | Issue | Page |
| | | VOE 63D9920007 | 721 |

VOLVO

L90E



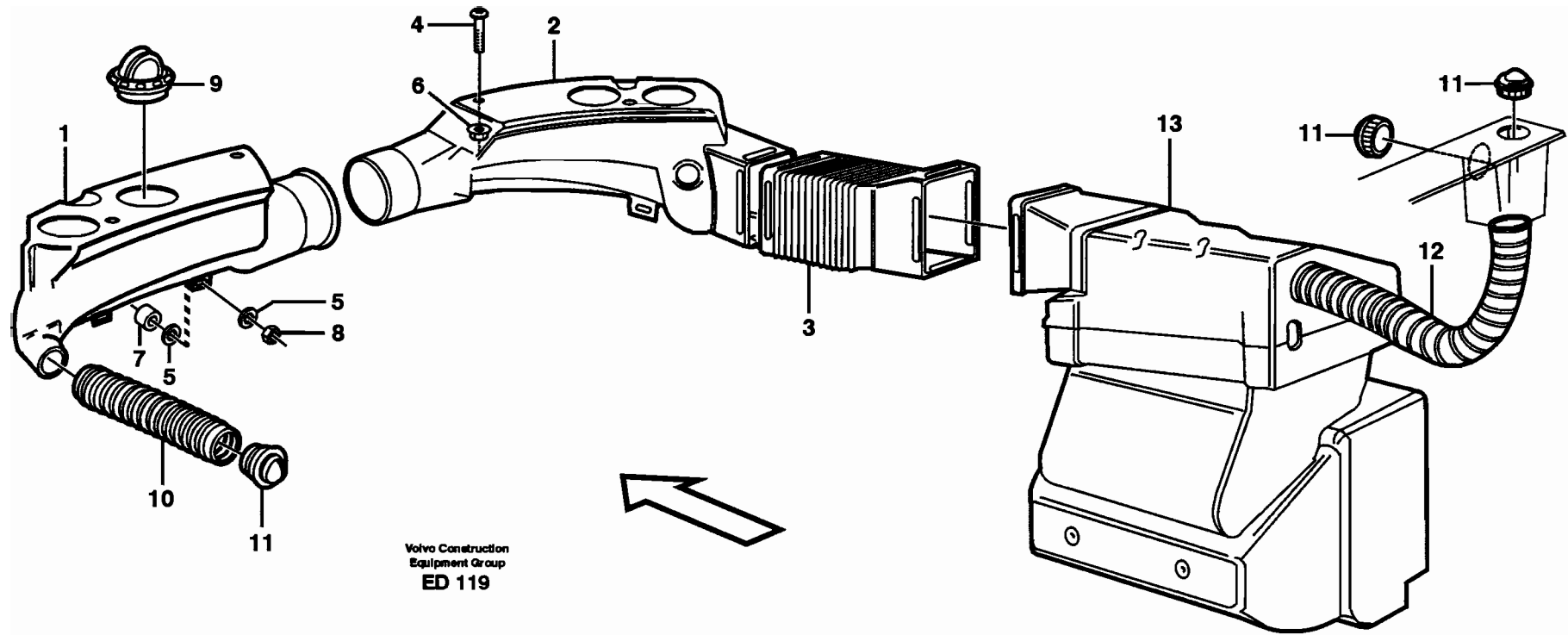
Volvo Construction
Equipment
1002427

| Fig. | Part No. | Quantity | | | P S | K I T | Description | Dénomination | Bezeichnung | Denominación | Benämning | Notes |
|------|--------------|----------|---|---|--------|-----------------------|-----------------------|------------------------|------------------------|-------------------|-----------|-------|
| | | 1 | 2 | 3 | | | | | | | | |
| | VOE 11104735 | 1 | | | | Filter | Filtre | Filter | Filtro | Filter..... | | |
| | | | 1 | | NS | Filter | Filtre | Filter | Filtro | Filter..... | 80221 | |
| 1 | | 1 | 1 | | NS | •Cover | •Capot | •Haube | •Cubierta | •Kåpa | | |
| 2 | VOE 11703979 | 1 | 1 | | | •Primary Filter | •Prefiltre | •Vorfilter..... | •Prefiltro..... | •Förfilter..... | | |
| 3 | VOE 11708173 | 1 | 1 | | | •Tab | •Agrafe | •Öse | •Abrazadera | •Vikklamma..... | | |
| 4 | VOE 11058193 | 8 | 8 | | | •Knurled Nut..... | •Ecrou Volant | •Lenkradmutter..... | •Tuerca Volante..... | •Rattmutter..... | | |
| 5 | VOE 13940090 | 8 | 8 | | | •Washer | •Rondelle..... | •Scheibe | •Arandela..... | •Bricka..... | | |
| 6 | | 4 | 4 | | NS | •Lock nut | •Contre-ecrou | •Sicherungsmutter..... | •Contratuerca | •Låsmutter..... | | |
| 7 | | 2 | 2 | | NS | •Spring tab | •Lame elastique | •Federzunge..... | •Lamina elastica | •Fjäderbleck..... | | |
| 8 | VOE 11703980 | 1 | | | | •Filter..... | •Filtre..... | •Filter | •Filtro..... | •Filter..... | | |
| | VOE 11705485 | | 1 | | | •Filter..... | •Filtre..... | •Filter | •Filtro..... | •Filter..... | | |
| 9 | VOE 11104723 | 1 | | | | Plate..... | Tôle | Blech | Chapa..... | Plåt..... | | |

| | | | | |
|---|-------|-----------------|----------------|---------|
| 1 | STD | Luftfilter. | Catalogue id | Group |
| 2 | 80221 | Filtro de aire. | 20007 | 872 |
| 3 | | Luftfilter. | Illustr. No | Section |
| 4 | | Filtre à air. | 1002427 | 150 |
| 5 | | Air filter. | Issue | Page |
| | | | VOE 63D9920007 | 723 |

VOLVO

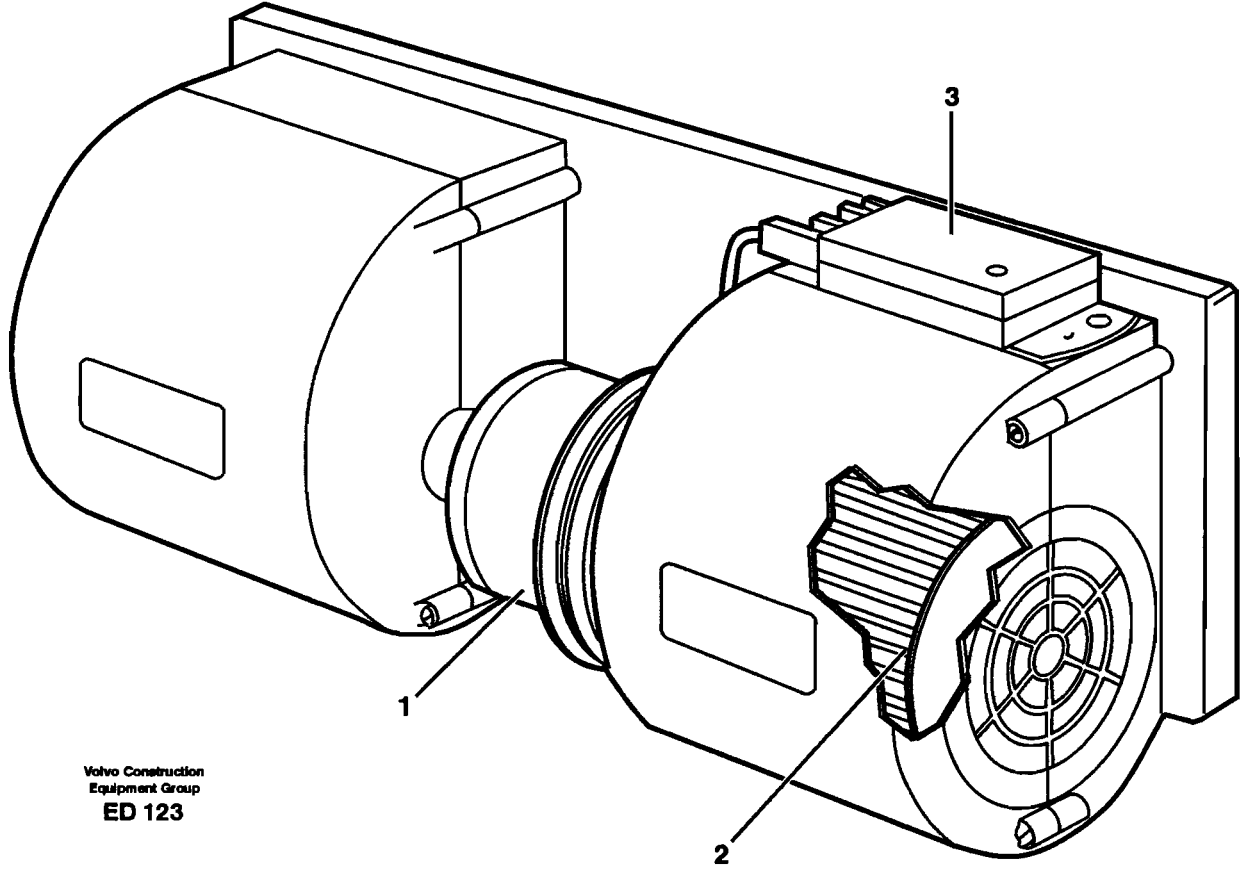
L90E



Volvo Construction
Equipment Group
ED 119

| Fig. | Part No. | Quantity | | | P S | K I T | Description | Dénomination | Bezeichnung | Denominación | Benämning | Notes |
|------|--------------|----------|---|---|--------|----------------------|--------------------------|---------------------|-----------------------|---------------------|-------------------------|-------|
| | | 1 | 2 | 3 | | | | | | | | |
| 1 | VOE 11104479 | 1 | | | | Air Duct | Tambour Air | Lufttrommel | Conducto Aire | Luftrumma..... | RH | |
| 2 | VOE 11104478 | 1 | | | | Air Duct | Tambour Air | Lufttrommel | Conducto Aire | Luftrumma..... | LH | |
| 3 | VOE 11007207 | 1 | | | | Air Duct | Tambour Air | Lufttrommel | Conducto Aire | Luftrumma..... | | |
| 4 | VOE 13969738 | 4 | | | | Screw | Vis | Schraube..... | Tornillo | Skruv..... | | |
| 5 | VOE 960139 | 8 | | | | Washer..... | Rondelle | Scheibe | Arandela | Bricka..... | | |
| 6 | VOE 13949278 | 4 | | | | Flange Lock Nut..... | Contre écrou bride | Flanschmutter | Contratuer Embr..... | Flänslåsmutter..... | | |
| 7 | VOE 930418 | 4 | | | | Spacer Ring | Bagu.entretoise..... | Abstandring | Anillo Dist | Distansring..... | | |
| 8 | VOE 13945407 | 4 | | | | Nut | Ecrou..... | Mutter | Tuerca | Mutter..... | | |
| 9 | VOE 11104372 | 4 | | | | Air Outlet..... | Diffuseur d'air | Luftdüse | Difusor de aire | Luftmunstycke..... | | |
| 10 | VOE 4850665 | REQ | | | | Convolut Tubing..... | Durit Accordeon | Spiralschlauch..... | Mang Espiral | Spiralslang..... | L=300MM | |
| 11 | VOE 11104371 | 4 | | | | Air Outlet..... | Diffuseur d'air | Luftdüse | Difusor de aire | Luftmunstycke..... | | |
| 12 | VOE 11007345 | REQ | | | | Hose..... | Durit | Schlauch | Tubo flexible | Slang..... | L=700MM | |
| 13 | | | | | | Fan housing | Boit.ventilate. | Gebäseschacht | Caja ventil | Fläkthus..... | See group 872, Page 719 | |

| | | | | |
|---|--|---------------------------|-----------------------|------------|
| 1 | | Luftkanaler | Catalogue id | Group |
| 2 | | Conductos de aire | 20007 | 872 |
| 3 | | Luftkanäle | Illustr. No | Section |
| 4 | | Canalisation d'air | ED119 | 200 |
| 5 | | Air ducts | Issue | Page |
| | | | VOE 63D9920007 | 725 |



Valvo Construction
Equipment Group
ED 123

(

(

(

(

(

(

(

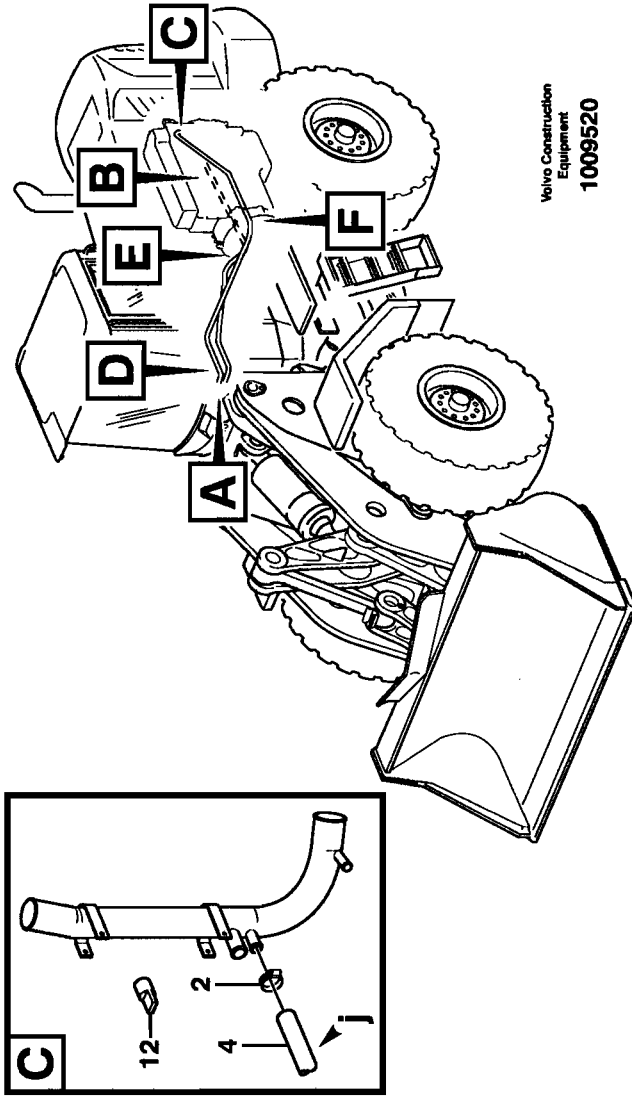
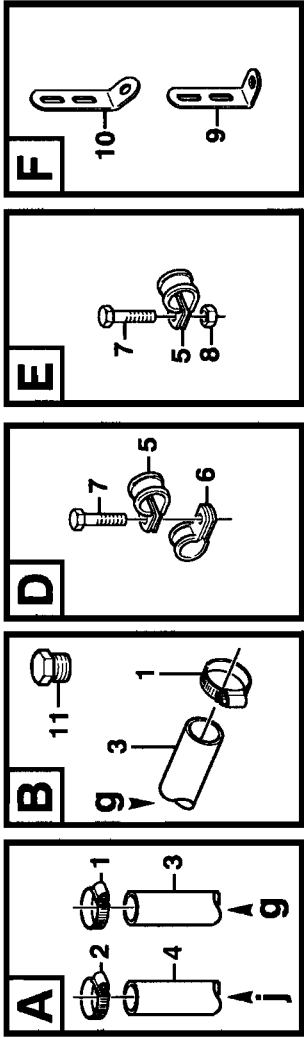
| Fig. | Part No. | Quantity | | | P S | K I T | Description | Dénomination | Bezeichnung | Denominación | Benämning | Notes |
|------|---------------------|----------|---|---|--------|-------------|-----------------|----------------------|----------------------|--------------------|-----------------|-------|
| | | 1 | 2 | 3 | | | | | | | | |
| | VOE 11006834 | 1 | | | | | Fan..... | Ventilateur..... | Ventilator..... | Ventilador..... | Fläkt..... | |
| 1 | VOE 11996067 | 1 | | | | | •Engine..... | •Moteur..... | •Verbrenn Motor..... | •Motor..... | •Motor..... | |
| 2 | VOE 11994455 | 2 | | | | | •Fan Wheel..... | •Roue Ventilate..... | •Gebläserad..... | •Rueda Ventil..... | •Fläkthjul..... | |
| 3 | VOE 11994456 | 1 | | | | | •Resistor..... | •Resistance..... | •Widerstand..... | •Resistencia..... | •Resistor..... | |

| | | | | |
|---|--|---|-----------------------|------------|
| 1 | | Fläkt Ventilador Gebläse Ventilateur Fan | Catalogue id | Group |
| 2 | | | 20007 | 872 |
| 3 | | | Illustr. No | Section |
| 4 | | | ED123 | 250 |
| 5 | | | Issue | Page |
| | | | VOE 63D9920007 | 727 |

VOLVO

L90E





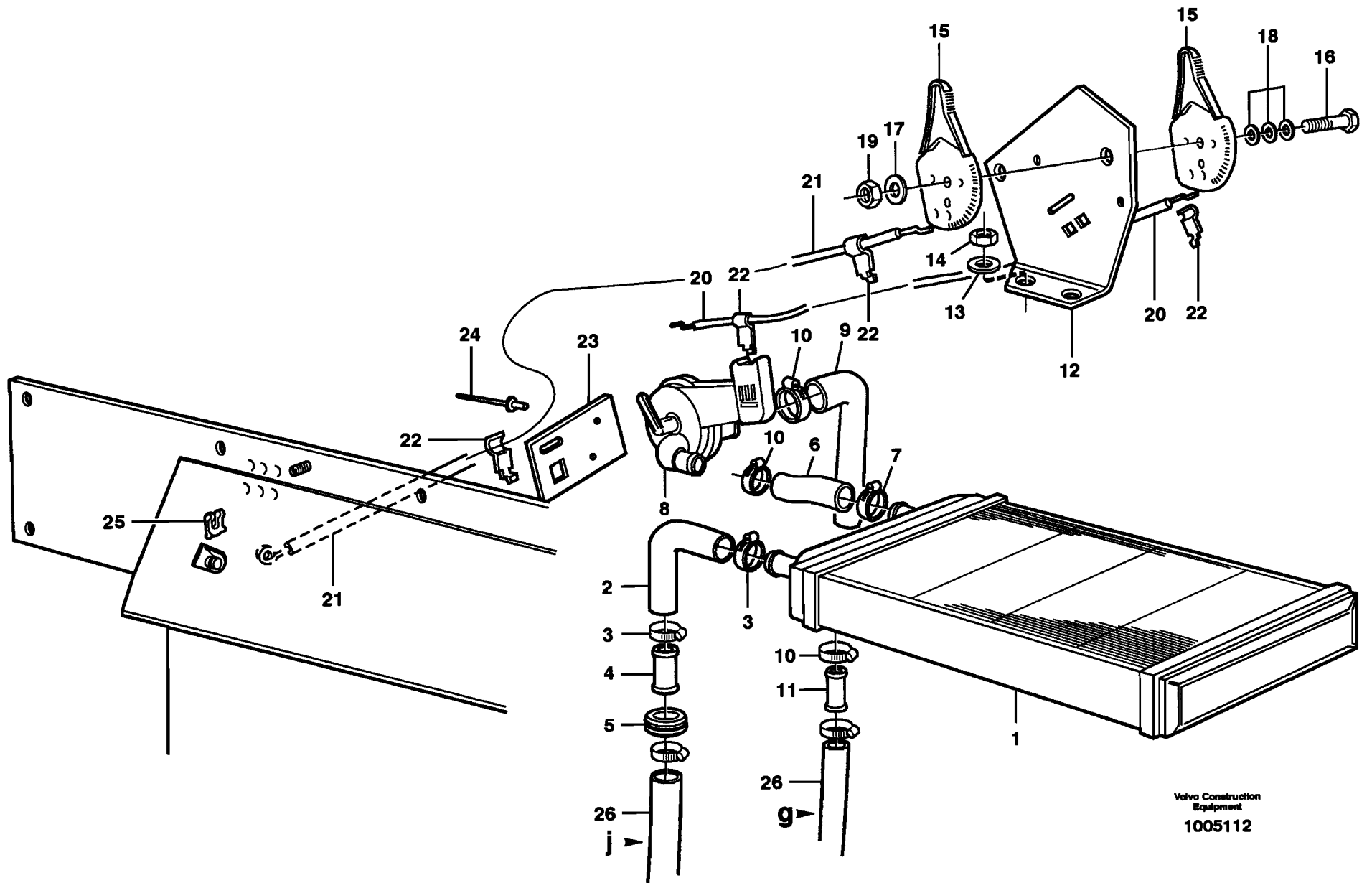
Valve Construction
Equipment
1009520

| Fig. | Part No. | Quantity | | | P S | K I T | Description | Dénomination | Bezeichnung | Denominación | Benämning | Notes |
|------|--------------|----------|---|---|--------|-------------------|-----------------------|------------------------|----------------------|-------------------|-----------|-------|
| | | 1 | 2 | 3 | | | | | | | | |
| 1 | VOE 13943472 | 2 | | | | Clamp..... | Pince Serrage | Klemme | Abrazadera | Klämma..... | | |
| 2 | VOE 943473 | 2 | 2 | | | Hose Clamp | Collier Serrage | Schlauchselle | Abraz Manguera | Slangklamma..... | | |
| 3 | VOE 943368 | 1 | | | | Hose..... | Durit | Schlauch | Tubo flexible | Slang..... | L=1750 MM | |
| 4 | VOE 943369 | 1 | 1 | | | Hose..... | Durit | Schlauch | Tubo flexible | Slang..... | L=1600 MM | |
| 5 | VOE 13977599 | 2 | | | | Clamp..... | Pince Serrage | Klemme | Abrazadera | Klämma..... | | |
| 6 | VOE 13977600 | 5 | | | | Clamp..... | Pince Serrage | Klemme | Abrazadera | Klämma..... | | |
| 7 | VOE 13946173 | 8 | | | | Flange screw..... | Vis à bride | Flanschschraube..... | Torn embridado | Flänskruv..... | | |
| 8 | VOE 13949867 | 3 | 3 | | | Spring Nut..... | Ecrou Ressort | Fed. Schliessmutter .. | Tuerca Resorte | Fjädermutter..... | | |
| 9 | VOE 965561 | 1 | | | | Bracket..... | Console..... | Konsole | Ménsula..... | Konsol..... | | |
| 10 | VOE 965576 | 2 | | | | Bracket..... | Ferrure-support | Tragstütze | Hierro Apoyo | Bärjörn..... | | |
| 11 | VOE 1698627 | | 1 | | | Plug..... | Bouchon..... | Stopfen..... | Tapon | Plugg..... | | |
| 12 | VOE 950711 | | 1 | | | Pin..... | Goupille..... | Stift..... | Pasador | Pinne..... | | |

| | | | | |
|---|-----------|--|-----------------------|------------|
| 1 | STD | Värmesystem Sistema de calefacción Heizsystem Système du chauffage Heating system | Catalogue id | Group |
| 2 | OPEN ROPS | | 20007 | 873 |
| 3 | | | Illustr. No | Section |
| 4 | | | 1009520 | 100 |
| 5 | | | Issue | Page |
| | | | VOE 63D9920007 | 729 |

VOLVO

L90E



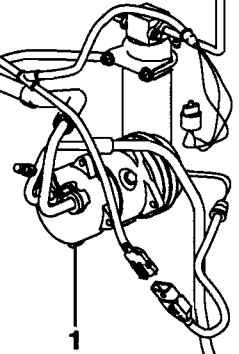
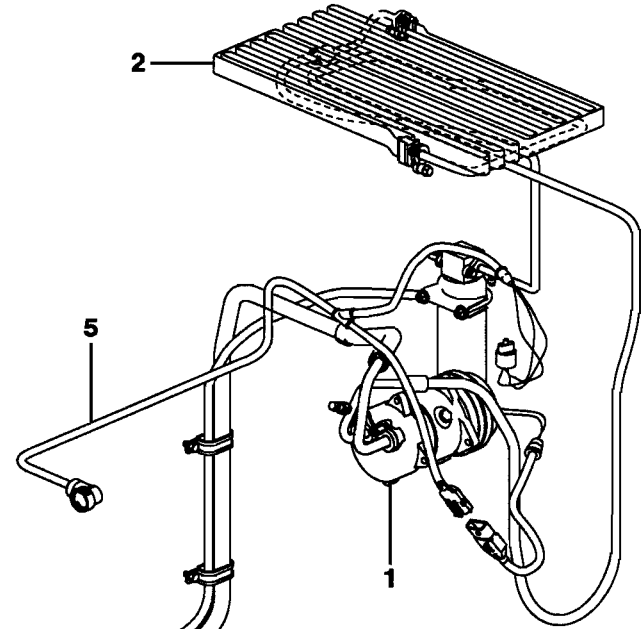
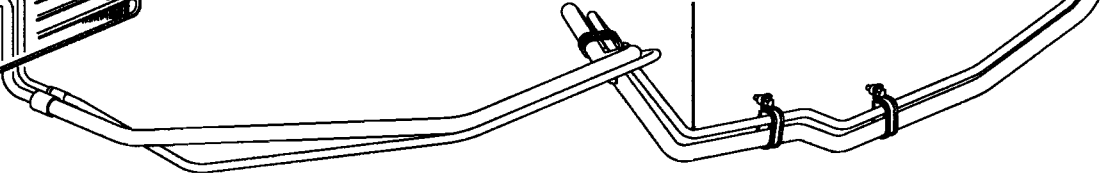
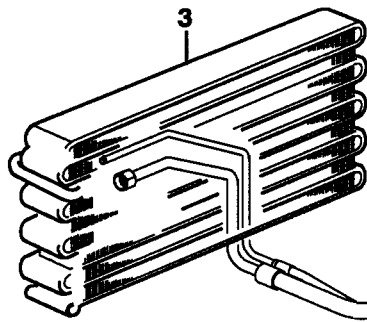
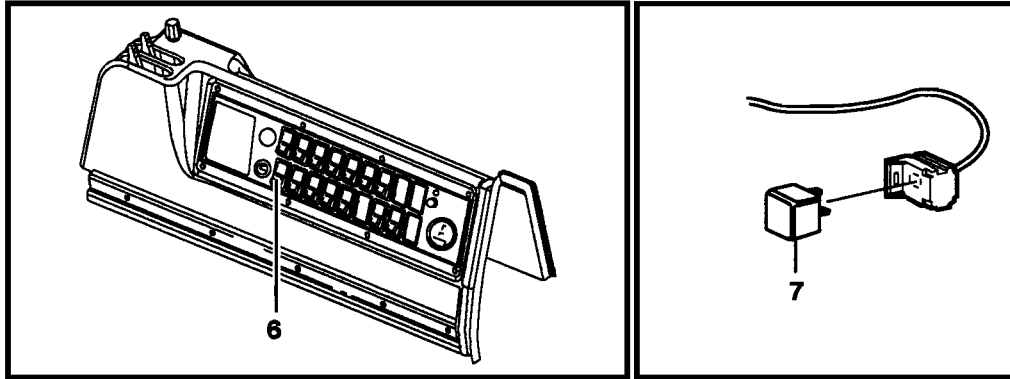
Volvo Construction
 Equipment
 1005112

| Fig. | Part No. | Quantity | | | P S | K I T | Description | Dénomination | Bezeichnung | Denominación | Benämning | Notes |
|------|--------------|----------|---|---|--------|-------------|----------------------|---------------------------|----------------------|----------------------------|---------------------|-------------------------|
| | | 1 | 2 | 3 | | | | | | | | |
| 1 | VOE 1587964 | 1 | | | | | Radiator | Radiateur | Kühler..... | Radiador..... | Kylare..... | |
| 2 | VOE 11104655 | 1 | | | | | Hose..... | Durit | Schlauch | Tubo flexible..... | Slang..... | |
| 3 | VOE 13943474 | 2 | | | | | Hose Clamp | Collier Serrage | Schlauchschele | Abraz Manguera..... | Slangklamma..... | |
| 4 | VOE 11006631 | 1 | | | | | Tube..... | Tube..... | Rohr | Tubo | Rör..... | |
| 5 | VOE 961970 | 1 | | | | | Plug..... | Bouchon..... | Stopfen..... | Tapon | Plugg..... | |
| 6 | VOE 11006633 | 1 | | | | | Hose..... | Durit | Schlauch | Tubo flexible..... | Slang..... | |
| 7 | VOE 13943474 | 1 | | | | | Hose Clamp | Collier Serrage | Schlauchschele | Abraz Manguera..... | Slangklamma..... | |
| 8 | VOE 11032552 | 1 | | | | | Valve..... | Soupape..... | Ventil | Valvula | Ventil..... | |
| 9 | VOE 11104654 | 1 | | | | | Hose..... | Durit | Schlauch | Tubo flexible..... | Slang..... | |
| 10 | VOE 968847 | 3 | | | | | Hose Clamp | Collier Serrage | Schlauchschele | Abraz Manguera..... | Slangklamma..... | |
| 11 | VOE 11006632 | 1 | | | | | Tube..... | Tube..... | Rohr | Tubo | Rör..... | |
| 12 | VOE 11104993 | 1 | | | | | Bracket..... | Console | Konsole..... | Consola | Konsol..... | |
| 13 | VOE 960139 | 1 | | | | | Washer..... | Rondelle..... | Scheibe | Arandela | Bricka..... | |
| 14 | VOE 13949278 | 2 | | | | | Flange Lock Nut..... | Contre écrou bride | Flanschmutter | Contratuer Embr..... | Flänslåsmutter..... | |
| 15 | VOE 11164653 | 2 | | | | | Control | Commande | Regelung..... | Mando | Reglage..... | (VOE 11006410) |
| 16 | VOE 13965185 | 1 | | | | | Flange screw..... | Vis à bride | Flanschschraube..... | Tomn embridado..... | Flänsskruv..... | |
| 17 | VOE 13960143 | 2 | | | | | Washer..... | Rondelle..... | Scheibe | Arandela | Bricka..... | |
| 18 | VOE 120789 | 3 | | | | | Disc Spring..... | Rondel Ressort | Scheibenfeder | Arandela Elast..... | Brickfjäder..... | |
| 19 | VOE 13971098 | 1 | | | | | Flange nut..... | Ecrou accouple. | Bundmutter..... | Tuerca embridad | Flänsmutter..... | |
| 20 | VOE 11006800 | 1 | | | | | Control Wire..... | Fil Commande..... | Regelzug | Alambre Mando..... | Reglagetråd..... | |
| 21 | VOE 11104555 | 1 | | | | | Control Wire..... | Fil Commande..... | Regelzug | Alambre Mando..... | Reglagetråd..... | |
| 22 | VOE 1211599 | 4 | | | | | Clip..... | Clip..... | Klemme | Clip | Clips..... | |
| 23 | VOE 11104554 | 1 | | | | | Bracket..... | Console | Konsole..... | Consola | Konsol..... | |
| 24 | VOE 13942672 | 2 | | | | | Blind Rivet..... | Rivet Borgne | Blindniet | Remache Ciego | Blindnit..... | |
| 25 | VOE 11992315 | 1 | | | | | Clip..... | Clip..... | Klemme | Clip | Clips..... | |
| 26 | | | | | | | Heating system | Système du chauffag | Heizsystem..... | Sistema de calefacci | Värmesystem..... | See group 873, Page 729 |

| | | | | |
|---|--|--|-----------------------|------------|
| 1 | | Radiator och reglage Radiador y reglaje Heizkörper und Regler Radiateur et réglage Radiator and control | Catalogue id | Group |
| 2 | | | 20007 | 873 |
| 3 | | | Illustr. No | Section |
| 4 | | | 1005112 | 150 |
| 5 | | | Issue | Page |
| | | | VOE 63D9920007 | 731 |

VOLVO

L90E



Volvo Construction
Equipment
1007181

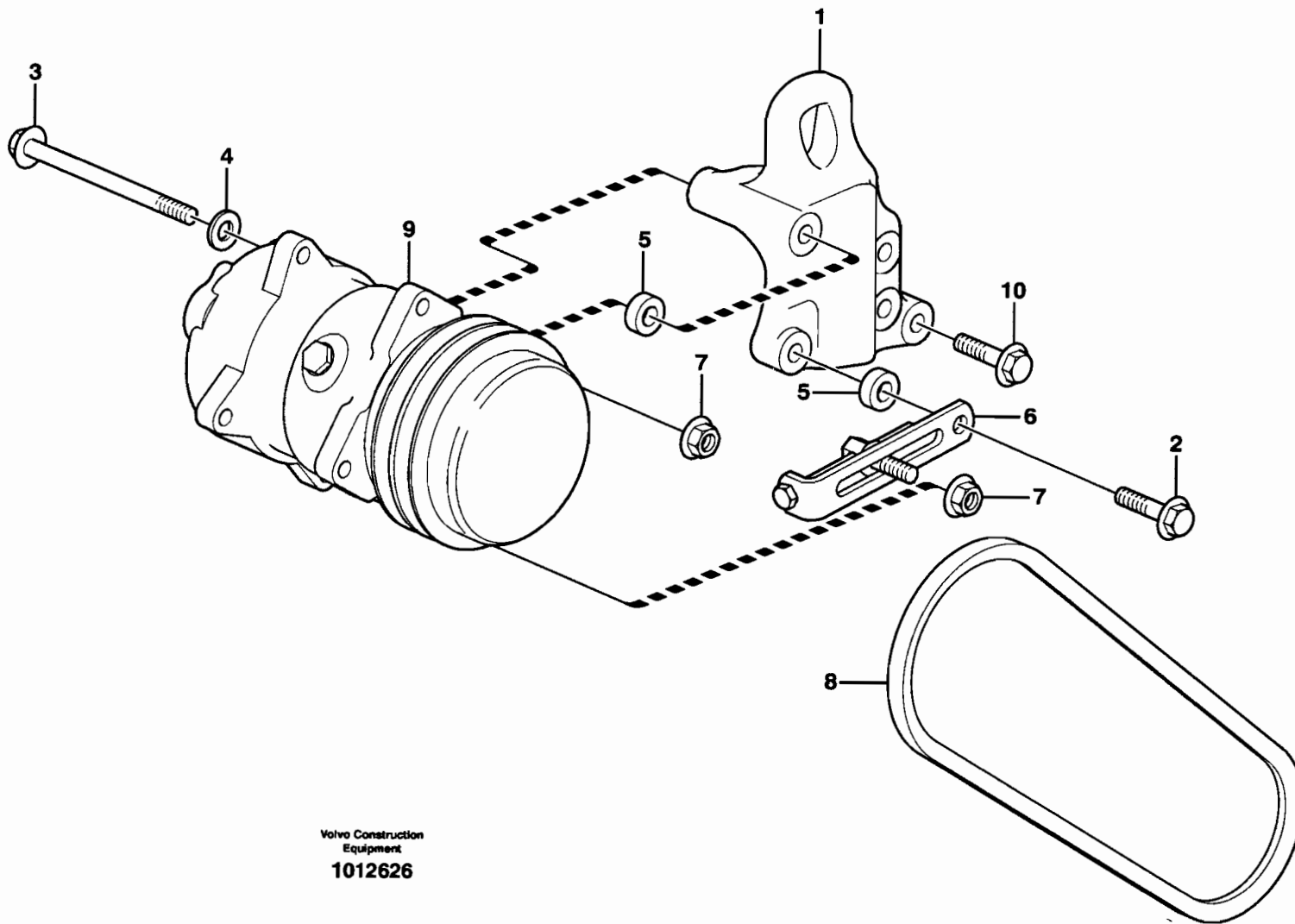


| Fig. | Part No. | Quantity | | | P S | K I T | Description | Dénomination | Bezeichnung | Denominación | Benämning | Notes |
|------|----------|----------|---|---|--------|-----------------------|-------------------------|------------------------|-----------------------|------------------------|-------------------------|-------|
| | | 1 | 2 | 3 | | | | | | | | |
| 1 | | | | | | Compressor | Compresseur | Kompressor..... | Compresor | Kompressor..... | See group 874, Page 735 | |
| 2 | | | | | | Condensor | Condenseur | Kondensator..... | Condensador..... | Kondensor..... | See group 874, Page 737 | |
| 3 | | | | | | Evaporator | Evaporateur | Verdampfer | Evaporador..... | Evaporator..... | See group 874, Page 739 | |
| 4 | | | | | | Assembly of hose..... | Montage flexibles | Anbauteile Schlauch .. | Conjunto de mangue .. | Montering slangar..... | See group 874, Page 743 | |
| 5 | | | | | | Wire harness..... | Faisceau cables | Kabelbaum | Manejo cables | Ledningsmatta..... | See group 371, Page 289 | |
| 6 | | | | | | Switch | Commutateur | Schalter | Contactador..... | Strömställare..... | See group 380, Page 361 | |
| 7 | | | | | | Relay | Relais | Relais | Rele | Relä..... | See group 372, Page 301 | |

| | | | | |
|---|--|--|-----------------------|------------|
| 1 | | Luftkonditionering. Aire acondicionado. Klimaanlage. Climatisation. Air conditioning. 80868 | Catalogue id | Group |
| 2 | | | 20007 | 874 |
| 3 | | | Illustr. No | Section |
| 4 | | | 1007181 | 100 |
| 5 | | | Issue | Page |
| | | | VOE 63D9920007 | 733 |

VOLVO

L90E



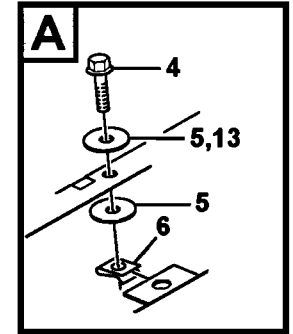
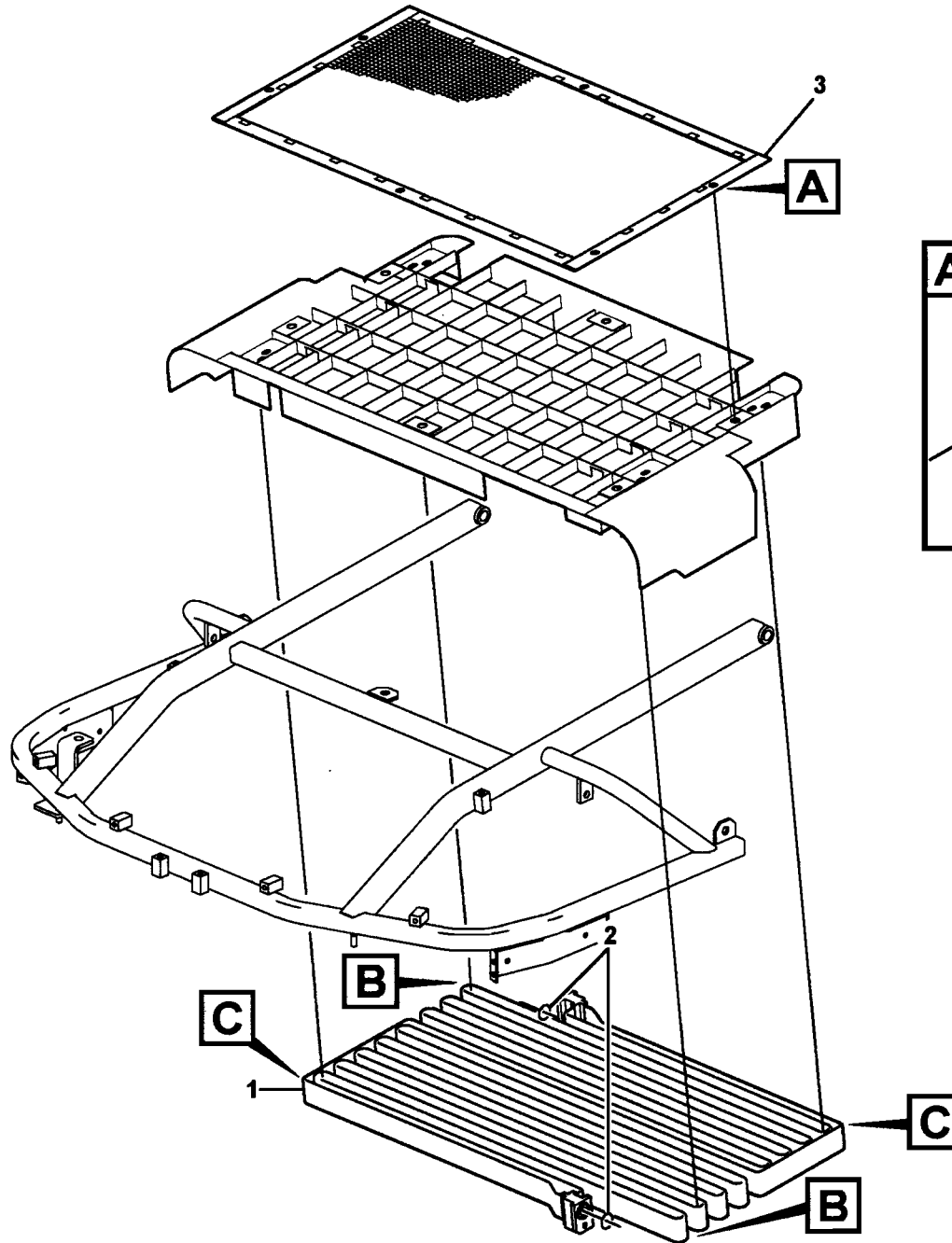
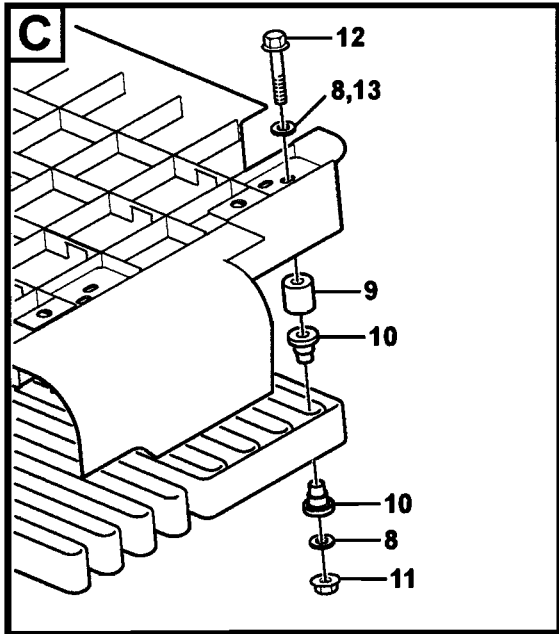
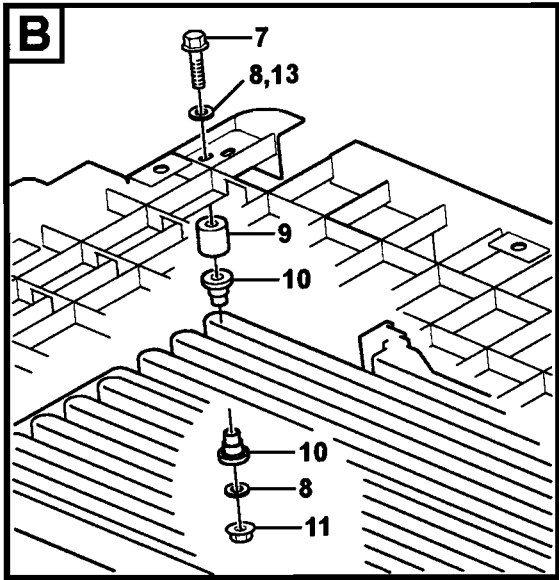
Volvo Construction
Equipment
1012626

| Fig. | Part No. | Quantity | | | P S | K I T | Description | Dénomination | Bezeichnung | Denominación | Benämning | Notes |
|------|--------------|----------|---|---|--------|-------------|-------------------|---------------------------|---------------------|-----------------------|------------------|-------------------------|
| | | 1 | 2 | 3 | | | | | | | | |
| 1 | VOE 11410464 | 1 | | | | | Anchorage..... | Fixation | Halterung..... | Fijacion..... | Fäste..... | |
| | VOE 11410465 | | 1 | | | | Anchorage..... | Fixation | Halterung..... | Fijacion..... | Fäste..... | |
| 2 | VOE 946472 | 1 | | | | | Flange screw..... | Vis à bride | Flanschschaube..... | Torn embridado..... | Flänskruv..... | |
| | VOE 13965185 | | 1 | | | | Flange screw..... | Vis à bride | Flanschschaube..... | Torn embridado..... | Flänskruv..... | |
| 3 | VOE 973096 | 1 | 1 | | | | Flange screw..... | Vis à bride | Flanschschaube..... | Torn embridado..... | Flänskruv..... | |
| 4 | VOE 13960143 | 1 | 1 | | | | Washer..... | Rondelle..... | Scheibe..... | Arandela..... | Bricka..... | |
| 5 | VOE 11173839 | | 2 | | | | Spacer..... | Partie Intermédiaire..... | Zwischenstück..... | Espaciador | Mellandel..... | |
| 6 | VOE 1676586 | 1 | 1 | | | | Tensioner..... | Tendeur..... | Spanner..... | Tensor | Spännare..... | |
| 7 | VOE 13971098 | 2 | 2 | | | | Flange nut..... | Ecrou accouple. | Bundmutter..... | Tuerca embridad | Flänsmutter..... | |
| 8 | VOE 977525 | 1 | 1 | | | | V-belt..... | Courroie Trape..... | Keilriemen | Correa Trapez | Kilrem..... | |
| 9 | | 1 | 1 | | | | Compressor | Compresseur | Kompressor..... | Compresor | Kompressor..... | See group 874, Page 747 |
| 10 | VOE 975101 | 3 | 3 | | | | Flange screw..... | Vis à bride | Flanschschaube..... | Torn embridado..... | Flänskruv..... | |

| | | | | |
|---|-------|--|---------------------|------------|
| 1 | 80868 | Kompressor för kylmedium R134a med monteringsdetaljer. Compresor con accesorios de montaje. Frigorígena R134a. Kompressor mit anbauteilen. Kältemittel R134a. Compresseur avec pieces de montage. Refrigerant R134a. Compressor for cooling agent R134a with fitting parts. | Catalogue id | Group |
| 2 | 80813 | | 20007 | 874 |
| 3 | | | Illustr. No | Section |
| 4 | | | 1012626 | 150 |
| 5 | | | Issue | Page |
| | | | VOE 63D9920007 | 735 |
| | | | 80813, 80868 | |

VOLVO

L90E

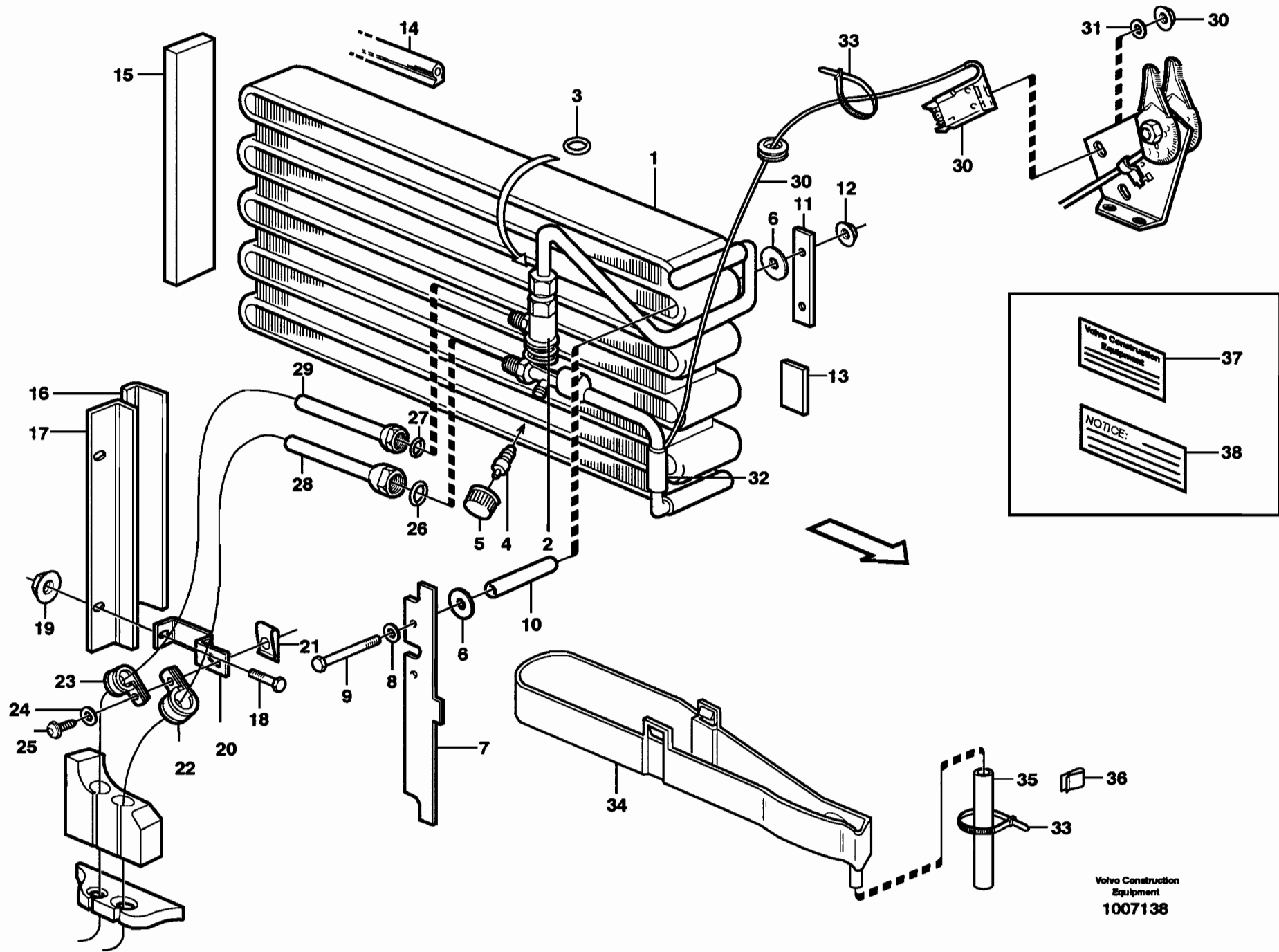


| Fig. | Part No. | Quantity | | | P S | K T | Description | Dénomination | Bezeichnung | Denominación | Benämning | Notes |
|------|--------------|----------|----|---|--------|-----------------------|--------------------------|---------------------------|-----------------------|----------------------|-----------|-------|
| | | 1 | 2 | 3 | | | | | | | | |
| 1 | VOE 11006435 | 1 | 1 | | | Condenser | Condenseur | Kondensator | Condensador | Kondensor | | |
| 2 | VOE 6848760 | 2 | 1 | | | •O-ring | •Joint Torique | •O-Ring | •Junta torica | •O-ring | | |
| 3 | VOE 11400276 | 1 | | | | Safety Net | Filet Protecti | Fangnetz | Red Proteccion | Skyddsnät | | |
| | VOE 11413922 | | 1 | | | Safety Net | Filet Protecti | Fangnetz | Red Proteccion | Skyddsnät | | |
| 4 | VOE 946440 | 8 | 6 | | | Flange screw | Vis à bride | Flanschschaube | Torn embridado | Flänsskruv | | |
| 5 | VOE 11007675 | 12 | | | | Washer | Rondelle | Scheibe | Arandela | Bricka | | |
| 6 | VOE 13949867 | 6 | 6 | | | Spring Nut | Ecrou Ressort | Fed. Schliessmutter | Tuerca Resorte | Fjädermutter | | |
| 7 | VOE 13965184 | 2 | 2 | | | Flange screw | Vis a bride | Flanschschaube | Torn embridado | Flänsskruv | | |
| 8 | VOE 13960141 | 8 | 4 | | | Washer | Rondelle | Scheibe | Arandela | Bricka | | |
| 9 | VOE 11400274 | 4 | | | | Spacer Sleeve | Doui.entretoise | Distanzhülse | Manguito Dist | Distanshylsa | | |
| 10 | VOE 11400281 | 8 | 8 | | | Rubber element | Element caoutch | Gummielment | Elemento goma | Gummielment | | |
| 11 | VOE 948645 | 4 | 4 | | | Flange Lock Nut | Contre écrou bride | Flanschmutter | Contratuer Embr | Flänslåsmutter | | |
| 12 | VOE 968842 | 2 | 2 | | | Flange screw | Vis à bride | Flanschschaube | Torn embridado | Flänsskruv | | |
| 13 | VOE 13955894 | | 12 | | | Washer | Rondelle | Scheibe | Arandela | Bricka | | |

| | | | | |
|---|----------------------|---|--------------|---------|
| 1 | E-PROD, 80813 | Kondensator för kylmedium R134a med monteringsdetaljer. Condensador con accesorios de montaje. Refrigerante R134a. Kondensator mit anbau- teilen. Kältemittel R134a. Condenseur avec pieces de montage. Refrigerant R134a. Condenser for cooling agent R134a with fitting parts. | Catalogue id | Group |
| 2 | L-PROD, 80868, 82772 | | 20007 | 874 |
| 3 | | | Illustr. No | Section |
| 4 | | | 1016216 | 200 |
| 5 | | | Issue | Page |
| | | VOE 63D9920007 | 737 | |

VOLVO

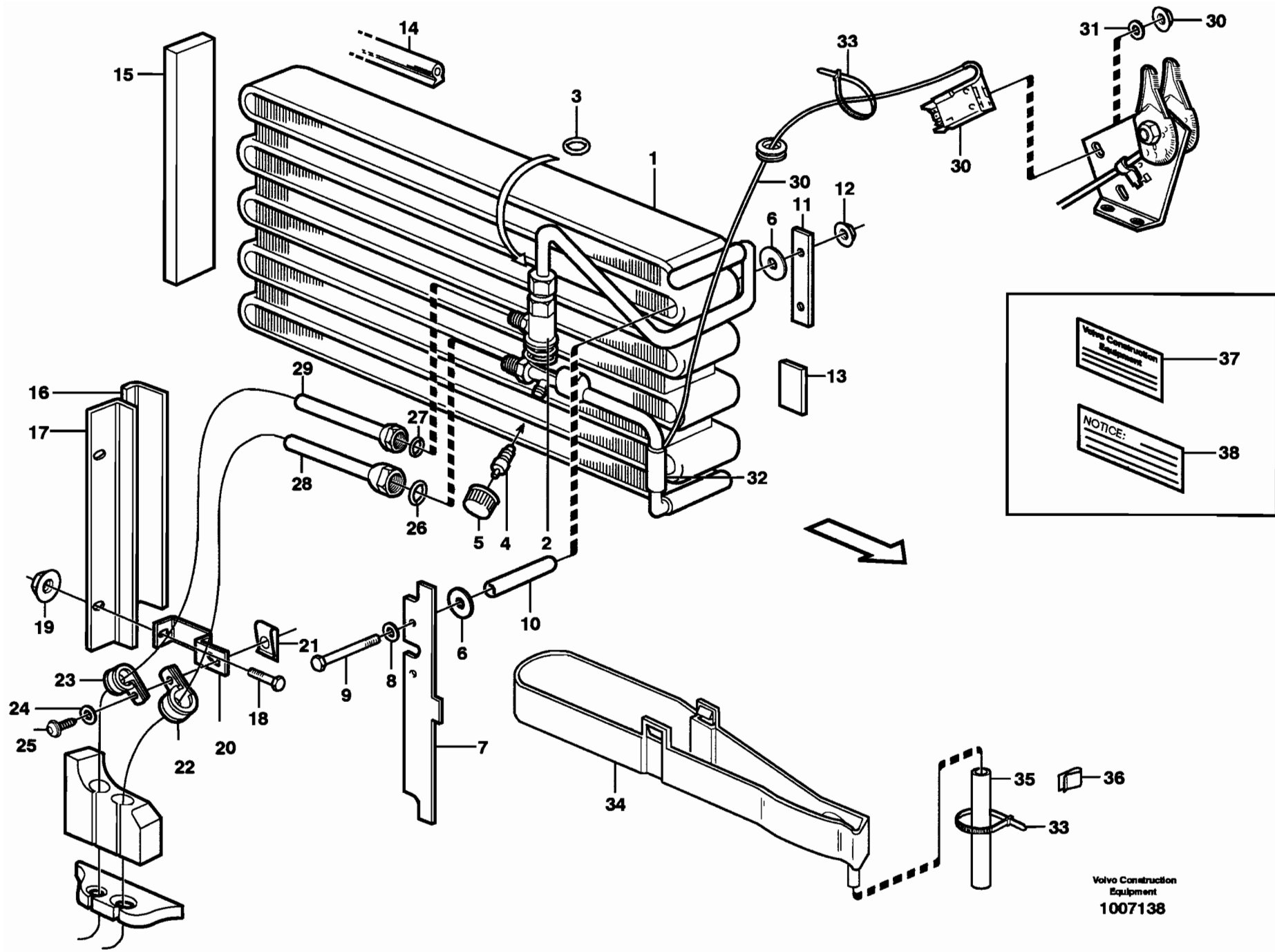
L90E



Volvo Construction
 Equipment
 1007138

| Fig. | Part No. | Quantity | | | P S | K I T | Description | Dénomination | Bezeichnung | Denominación | Benämning | Notes |
|------|--------------|----------|---|---|--------|------------------------|-------------------------|-------------------------|-----------------------|----------------------|-------------------------|-------|
| | | 1 | 2 | 3 | | | | | | | | |
| 1 | VOE 11164618 | 1 | | | | Evaporator | Evaporateur | Verdampfer | Evaporador..... | Evaporator..... | | |
| 2 | VOE 11711958 | 1 | | | | •Expansion Valve | •Robin.expansion | •Exp Vent | •Valv Expansion | •Expansionsvent..... | (VOE 11998503) | |
| 3 | VOE 3537503 | 1 | | | | •O-ring..... | •Joint Torique | •O-Ring..... | •Junta torica | •O-ring..... | | |
| 4 | VOE 11701530 | 1 | | | | •Needle Valve | •Pointeau..... | •Nadelventil | •Valvula Agujas | •Nålventil..... | | |
| 5 | VOE 11701529 | 1 | | | | •Cap | •Chapeau | •Verschlusskappe..... | •Caperuza | •Hatt..... | | |
| 6 | VOE 11007675 | 4 | | | | Washer..... | Rondelle..... | Scheibe | Arandela..... | Bricka..... | | |
| 7 | VOE 11007291 | 1 | | | | Anchorage..... | Fixation | Halterung..... | Fijacion | Fäste..... | | |
| 8 | VOE 960139 | 2 | | | | Washer..... | Rondelle..... | Scheibe | Arandela..... | Bricka..... | | |
| 9 | VOE 955286 | 2 | | | | Hexagon screw | Vis tête hexagonale ... | Sechskantschraube... | Tornillo hexago..... | Sexkantsskruv..... | | |
| 10 | VOE 13945461 | REQ | | | | Plastic Pipe | Tube Plastique | Kunststoffrohr..... | Tubo Plastico | Plaströr..... | L = 2 x 70 MM | |
| 11 | VOE 11007057 | 1 | | | | Anchorage..... | Fixation | Halterung..... | Fijacion | Fäste..... | | |
| 12 | VOE 13945407 | 2 | | | | Nut | Ecrou..... | Mutter | Tuerca | Mutter..... | | |
| 13 | VOE 4932353 | REQ | | | | Rubber Moulding..... | Joint Caoutchouc | Gummileiste | Liston Goma | Gummilist..... | L = 40 MM | |
| 14 | VOE 11007005 | REQ | | | | Sealing strip | Lisse etancheite | Dichtleiste..... | Moldura reten | Tättningslist..... | L = 500 MM | |
| 15 | VOE 11007137 | 1 | | | | Gasket..... | Joint | Dichtung | Junta | Packning..... | | |
| 16 | VOE 4932353 | REQ | | | | Rubber Moulding..... | Joint Caoutchouc | Gummileiste | Liston Goma | Gummilist..... | L = 235 MM | |
| 17 | VOE 11104793 | 1 | | | | Anchorage..... | Fixation | Halterung..... | Fijacion | Fäste..... | | |
| 18 | VOE 13947542 | 2 | | | | Screw..... | Vis | Schraube..... | Tornillo | Skruv..... | | |
| 19 | VOE 930760 | 2 | | | | Expanding Nut | Ecrou Expandeur | Spreizmutter | Tuerca Expan..... | Expander Mutter..... | | |
| 20 | VOE 11164305 | 1 | | | | Bracket..... | Console..... | Konsole | Ménsula..... | Konsol..... | | |
| 21 | VOE 949921 | 1 | | | | Spring Nut..... | Ecrou Ressort | Fed. Schliessmutter ... | Tuerca Resorte | Fjädermutter..... | | |
| 22 | VOE 952630 | 1 | | | | Clamp..... | Pince Serrage | Klemme | Abrazadera..... | Klämma..... | | |
| 23 | VOE 952625 | 1 | | | | Clamp..... | Pince Serrage | Klemme | Abrazadera..... | Klämma..... | | |
| 24 | VOE 955892 | 1 | | | | Washer..... | Rondelle..... | Scheibe | Arandela..... | Bricka..... | | |
| 25 | VOE 971322 | 1 | | | | Screw..... | Vis | Schraube..... | Tornillo | Skruv..... | | |
| 26 | VOE 3537507 | 1 | | | | O-ring..... | Joint Torique | O-Ring..... | Junta torica..... | O-ring..... | | |
| 27 | VOE 3537499 | 1 | | | | O-ring..... | Joint Torique | O-Ring..... | Junta torica..... | O-ring..... | | |
| 28 | | 1 | | | | Hose..... | Flexible..... | Schlauch | Manguera | Slang..... | See group 874, Page 743 | |
| 29 | | 1 | | | | Hose..... | Flexible..... | Schlauch | Manguera | Slang..... | See group 874, Page 743 | |
| 30 | VOE 11104241 | 1 | | | | Thermostat..... | Thermostat..... | Thermostat..... | Termostato | Termostat..... | SE803 | |

| | | | | |
|---|--|---|----------------|---------|
| 1 | | Evaporator för kylmedium R134a med monteringsdetaljer. | Catalogue id | Group |
| 2 | | Evaporador con accesorios de montaje. Refrigerante R134a. | 20007 | 874 |
| 3 | | Verdampfer mit anbauteilen. Kältemittel R134a. | Illustr. No | Section |
| 4 | | Evaporateur aves pieces de montage. Refrigerant R134a. | 1007138 | 250 |
| 5 | | Evaporator for cooling agent R134a with fitting parts. | Issue | Page |
| | | 80813, 80868, 82772 | VOE 63D9920007 | 739 |



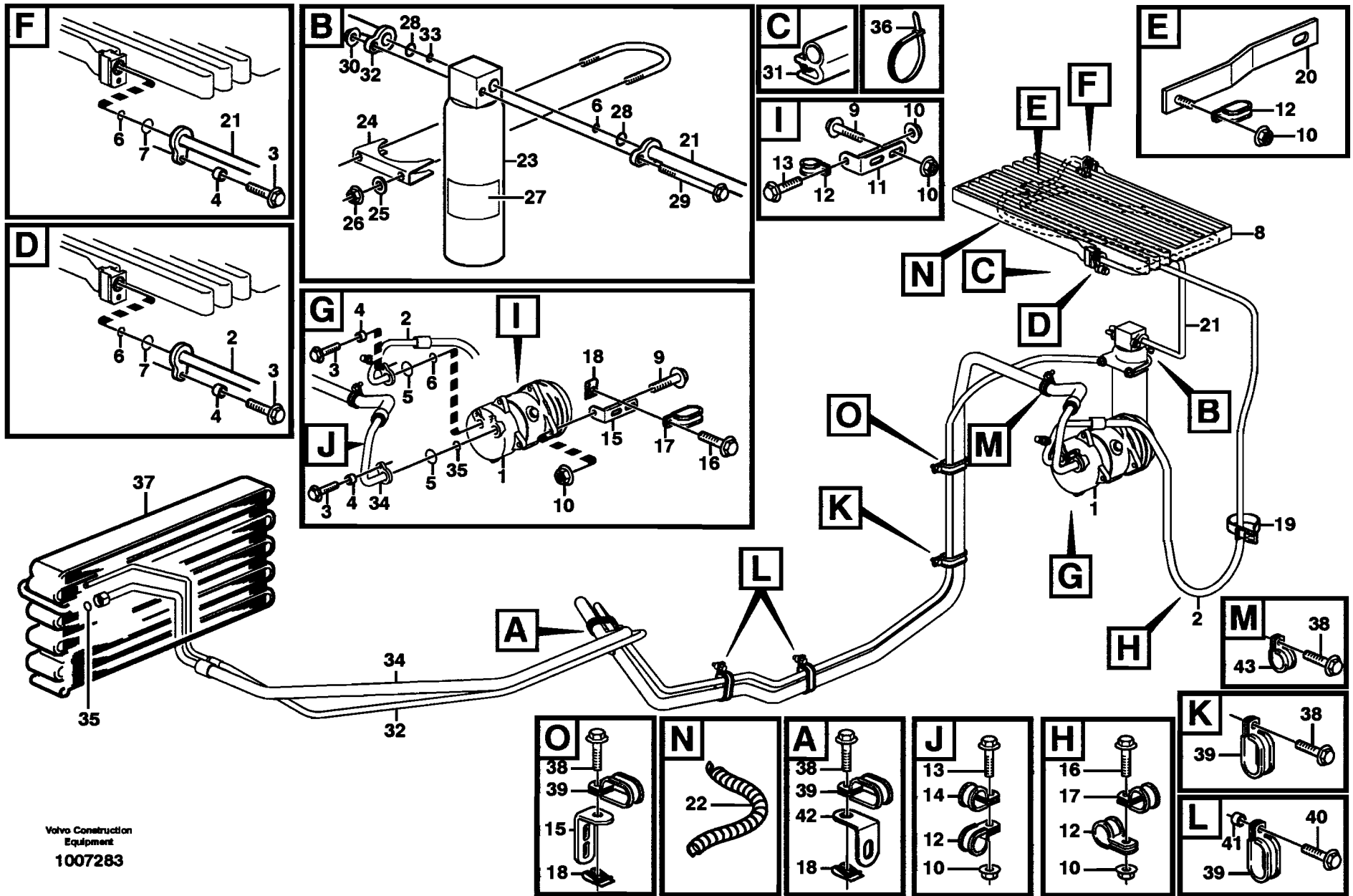
Volvo Construction
Equipment
1007138

| Fig. | Part No. | Quantity | | | P S | K I T | Description | Dénomination | Bezeichnung | Denominación | Benämning | Notes |
|------|--------------|----------|---|---|--------|-------------|------------------|---------------------|------------------|----------------------|-----------------|------------|
| | | 1 | 2 | 3 | | | | | | | | |
| 31 | VOE 955896 | 1 | | | | | Washer..... | Rondelle..... | Scheibe..... | Arandela..... | Bricka..... | |
| 32 | VOE 11003291 | REQ | | | | | Tape..... | Scotch..... | Klebeband..... | Cinta..... | Tape..... | L = 150 MM |
| 33 | VOE 4881440 | 5 | | | | | Strip Clamp..... | Ruban Serrage..... | Kabelbinder..... | Abraz Cinta..... | Bandklamma..... | |
| 34 | VOE 11104788 | 1 | | | | | Bowl..... | Coussinet..... | Schale..... | Taza..... | Skål..... | |
| 35 | VOE 11039491 | REQ | | | | | Hose..... | Durit..... | Schlauch..... | Tubo flexible..... | Slang..... | L = 500 MM |
| 36 | VOE 11006249 | 1 | | | | | Lock Spring..... | Ressort Verrou..... | Sperrfeder..... | Resorte Bloqueo..... | Låsfjäder..... | |
| 37 | VOE 11164312 | 1 | | | | | Decal..... | Decalcomanie..... | Abziehbild..... | Decalcomania..... | Dekal..... | |
| 38 | VOE 11104071 | 1 | | | | | Decal..... | Decalcomanie..... | Abziehbild..... | Decalcomania..... | Dekal..... | |

| | | | |
|---|--|----------------|---------|
| 1 | Evaporator för kylmedium R134a med monteringsdetaljer. Evaporador con accesorios de montaje. Refrigerante R134a. Verdampfer mit anbauteilen. Kältemittel R134a. Evaporateur aves pieces de montage. Refrigerant R134a. Evaporator for cooling agent R134a with fitting parts. 80813, 80868, 82772 | Catalogue id | Group |
| 2 | | 20007 | 874 |
| 3 | | Illustr. No | Section |
| 4 | | 1007138 | 250 |
| 5 | | Issue | Page |
| | | VOE 63D9920007 | 741 |

VOLVO

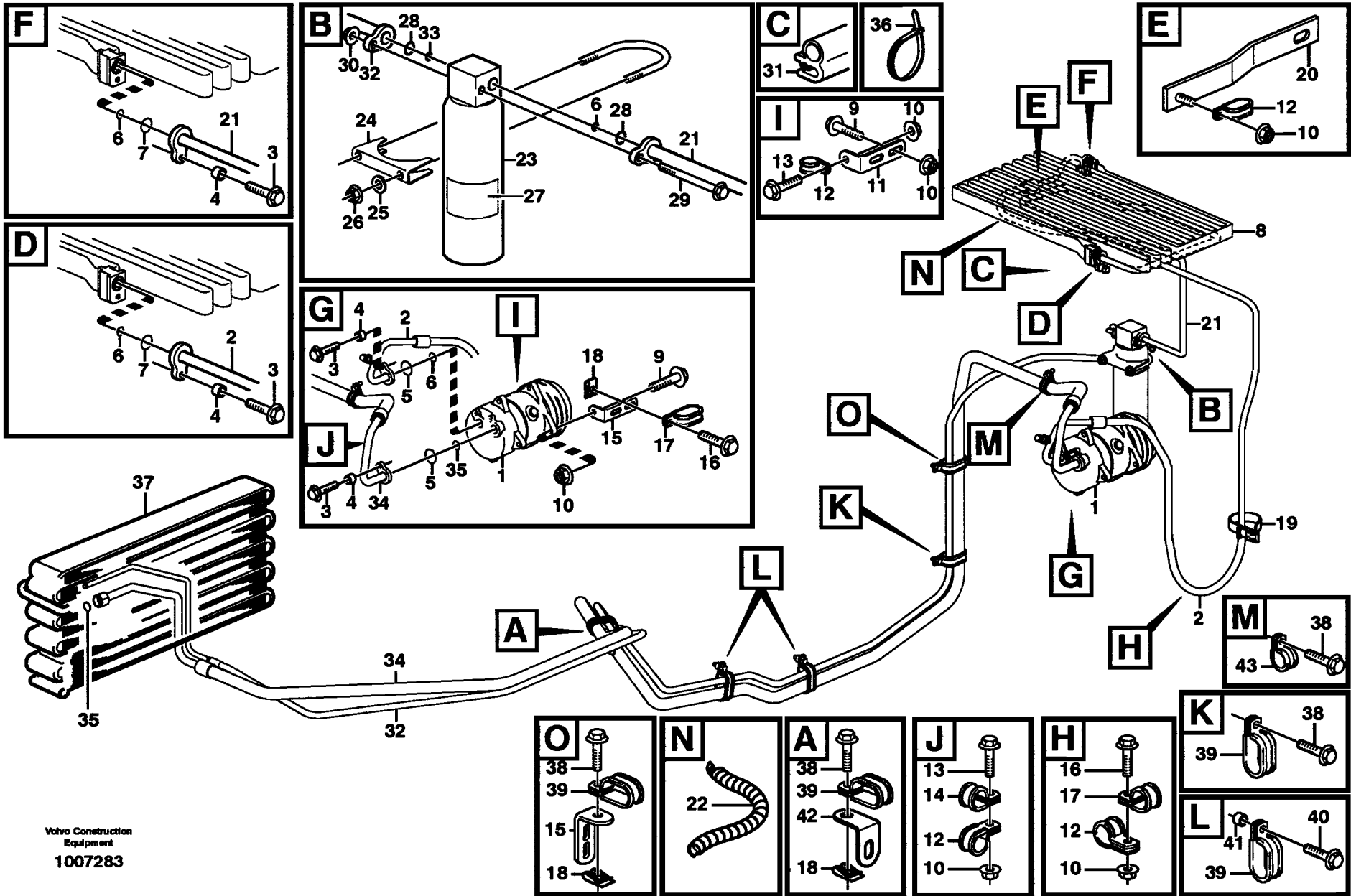
L90E



Volvo Construction
Equipment
1007283

| Fig. | Part No. | Quantity | | | P S | K I T | Description | Dénomination | Bezeichnung | Denominación | Benämning | Notes |
|------|--------------|----------|---|---|--------|-----------------------|--------------------------|---------------------------|----------------------|---------------------|-------------------------|-------|
| | | 1 | 2 | 3 | | | | | | | | |
| 1 | | 1 | | | | Compressor | Compresseur | Kompressor | Compresor | Kompressor..... | See group 874, Page 747 | |
| 2 | VOE 11413650 | 1 | | | | Hose assembly | Conduit flexible | Schlauchleitung | Conducto | Slangledning..... | | |
| 3 | VOE 946671 | 4 | | | | Flange screw..... | Vis à bride | Flanschschraube..... | Torn embridado..... | Flänsskruv..... | | |
| 4 | VOE 930431 | 2 | | | | Spacer Ring | Bagu.entretoise..... | Abstandring | Anillo Dist | Distansring..... | | |
| 5 | | 2 | | | | O-ring | Joint Torique | O-Ring | Junta torica..... | O-ring..... | See group 874, Page 747 | |
| 6 | VOE 3537507 | 2 | | | | O-ring | Joint Torique | O-Ring | Junta torica..... | O-ring..... | | |
| 7 | | 2 | | | | O-ring | Joint Torique | O-Ring | Junta torica..... | O-ring..... | See group 874, Page 737 | |
| 8 | | 1 | | | | Condenser | Condenseur | Kondensator..... | Condensador..... | Kondensor..... | See group 874, Page 737 | |
| 9 | VOE 946671 | 2 | | | | Flange screw..... | Vis à bride | Flanschschraube..... | Torn embridado..... | Flänsskruv..... | | |
| 10 | VOE 13945408 | 6 | | | | Nut | Ecrou..... | Mutter | Tuerca | Mutter..... | | |
| 11 | VOE 965553 | 1 | | | | Bracket..... | Console..... | Konsole | Consola | Konsol..... | | |
| 12 | VOE 13949746 | 4 | | | | Clamp..... | Pince Serrage | Klemme | Abrazadera..... | Klämma..... | | |
| 13 | VOE 13946173 | 2 | | | | Flange screw..... | Vis à bride | Flanschschraube..... | Torn embridado..... | Flänsskruv..... | | |
| 14 | VOE 13949747 | 1 | | | | Clamp..... | Pince Serrage | Klemme | Abrazadera..... | Klämma..... | | |
| 15 | VOE 13965558 | 2 | | | | Bracket..... | Console..... | Konsole | Consola | Konsol..... | | |
| 16 | VOE 946440 | 2 | | | | Flange screw..... | Vis à bride | Flanschschraube..... | Torn embridado..... | Flänsskruv..... | | |
| 17 | VOE 13949747 | 2 | | | | Clamp..... | Pince Serrage | Klemme | Abrazadera..... | Klämma..... | | |
| 18 | VOE 13949867 | 3 | | | | Spring Nut..... | Ecrou Ressort | Fed. Schliessmutter | Tuerca Resorte | Fjädermutter..... | | |
| 19 | VOE 11104606 | 1 | | | | Retaining Strap | Courroi.serrage | Halteriemen..... | Correa Tensora | Spännrem..... | | |
| 20 | VOE 11413190 | 1 | | | | Attachment..... | Fixation | Halterung..... | Fijacion | Fäste..... | | |
| 21 | VOE 11400826 | 1 | | | | Hose assembly | Conduit flexible | Schlauchleitung | Conducto | Slangledning..... | | |
| 22 | VOE 4880647 | REQ | | | | Sheath..... | Gaine Spirale | Spiralhülle | Vaina Espiral | Spiralhölje..... | L = 600 MM | |
| 23 | VOE 11164457 | 1 | | | | Receiver Drier | Deshydrateur | Entfeuchter..... | Secador | Torkare..... | | |
| 24 | VOE 11015720 | 1 | | | | Clamp..... | Pince Serrage | Klemme | Abrazadera..... | Klämma..... | | |
| 25 | VOE 13960141 | 2 | | | | Washer..... | Rondelle | Scheibe | Arandela | Bricka..... | | |
| 26 | VOE 13945408 | 2 | | | | Nut | Ecrou..... | Mutter | Tuerca | Mutter..... | | |
| 27 | VOE 13935003 | 1 | | | | Warning Decal | Decal.avertiss. | Warnaufkleber..... | Calcomania Adv | Varningsdekal..... | | |
| 28 | VOE 6848760 | 2 | | | | O-ring | Joint Torique | O-Ring | Junta torica..... | O-ring..... | | |
| 29 | VOE 13965183 | 1 | | | | Flange screw..... | Vis à bride | Flanschschraube..... | Torn embridado..... | Flänsskruv..... | | |
| 30 | VOE 948645 | 1 | | | | Flange Lock Nut..... | Contre écrou bride | Flanschmutter | Contratuer Embr..... | Flänslåsmutter..... | | |

| | | | | |
|---|--|--|-----------------------|------------|
| 1 | | Montering av slangar: evaporator, torkare och kondensor. Conjunto de mangueras: evaporador, secador y condensador. Anbauteile Schlauch: Verdampfer, Entfeuchter und kondensor. Montage flexibles: évaporateur, deshydrat.et condenseur. Assembly of hose: evaporator, receiver drier and condenser. | Catalogue id | Group |
| 2 | | | 20007 | 874 |
| 3 | | | Illustr. No | Section |
| 4 | | | 1007283 | 300 |
| 5 | | | Issue | Page |
| | | 80813, 80868 | VOE 63D9920007 | 743 |



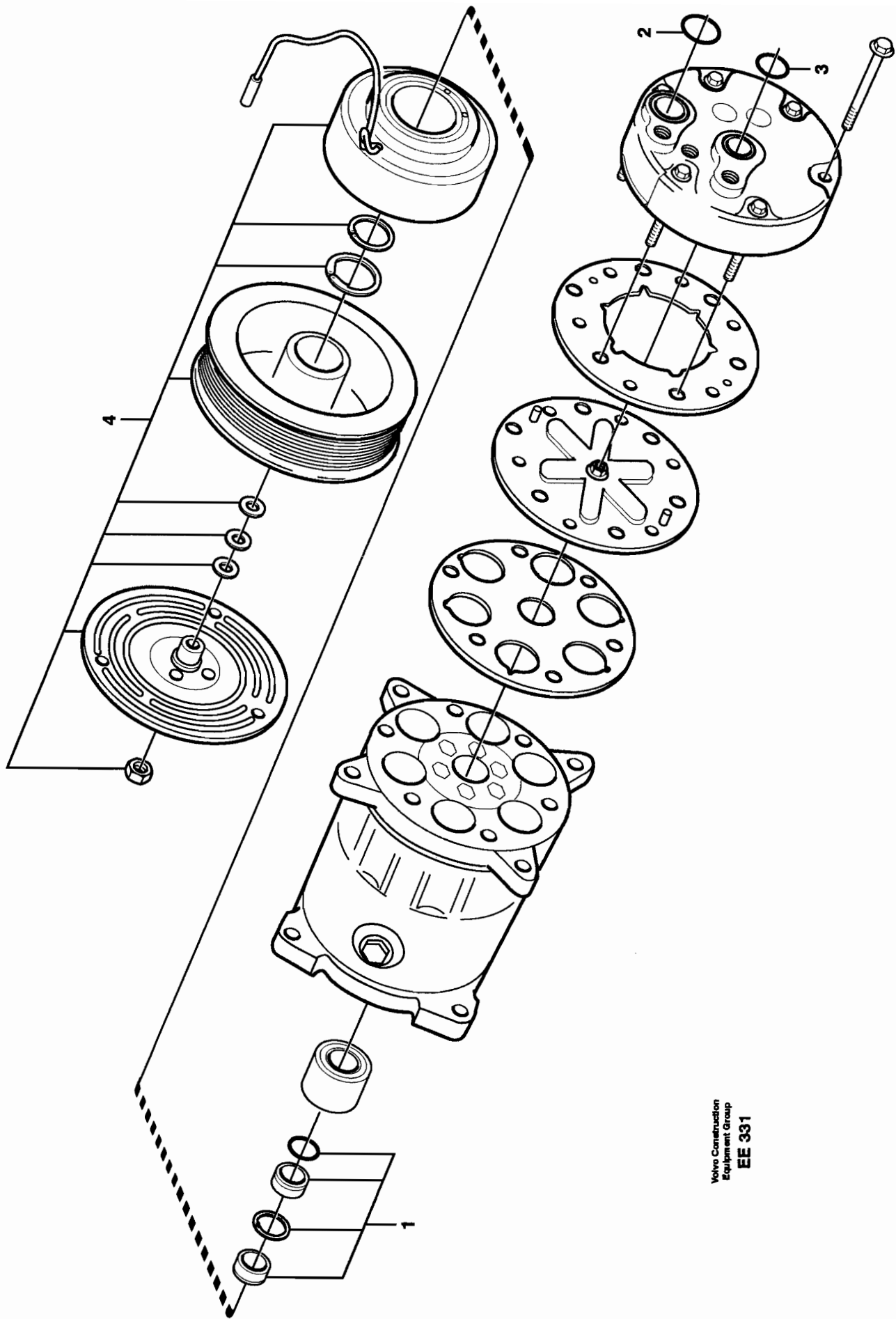
Volvo Construction
Equipment
1007283

| Fig. | Part No. | Quantity | | | P S | K I T | Description | Dénomination | Bezeichnung | Denominación | Benämning | Notes |
|------|--------------|----------|---|---|--------|-------------|---------------------|------------------------|----------------------|---------------------|--------------------|-------------------------|
| | | 1 | 2 | 3 | | | | | | | | |
| 31 | VOE 4766526 | REQ | | | | | Sealing strip | Lisse etancheite | Dichtleiste..... | Moldura reten | Tättningslist..... | L = 200 MM |
| 32 | VOE 11413428 | 1 | | | | | Hose assembly | Conduit flexible | Schlauchleitung..... | Conducto..... | Slangledning..... | (VOE 11006489) |
| 33 | VOE 3537507 | 1 | | | | | O-ring..... | Joint Torique | O-Ring..... | Junta torica..... | O-ring..... | |
| 34 | VOE 11006490 | 1 | | | | | Hose assembly | Conduit flexible | Schlauchleitung..... | Conducto..... | Slangledning..... | |
| 35 | VOE 3537521 | 1 | | | | | O-ring..... | Joint Torique | O-Ring..... | Junta torica..... | O-ring..... | |
| 36 | VOE 4881440 | 3 | | | | | Strip Clamp | Ruban Serrage..... | Kabelbinder | Abraz Cinta | Bandklamma..... | |
| 37 | | 1 | | | | | Evaporator | Evaporateur | Verdampfer | Evaporador..... | Evaporator..... | See group 874, Page 739 |
| 38 | VOE 946440 | 4 | | | | | Flange screw..... | Vis à bride | Flanschschraube..... | Torn embridado..... | Flänsskruv..... | |
| 39 | VOE 11025709 | 5 | | | | | Clamp..... | Pince Serrage | Klemme | Abrazadera..... | Klämma..... | |
| 40 | VOE 13945444 | 2 | | | | | Flange screw..... | Vis à bride | Flanschschraube..... | Torn embridado..... | Flänsskruv..... | |
| 41 | VOE 930431 | 2 | | | | | Spacer Ring | Bagu.entretoise..... | Abstandring | Anillo Dist | Distansring..... | |
| 42 | VOE 11173615 | 1 | | | | | Angle Plate..... | Tole Angulaire..... | Winkelblech..... | Placa Angular..... | Vinkelplåt..... | |
| 43 | VOE 13977600 | 1 | | | | | Clamp..... | Pince Serrage | Klemme | Abrazadera..... | Klämma..... | |

| | | | | |
|---|--|--|----------------|---------|
| 1 | | Montering av slangar: evaporator, torkare och kondensor. Conjunto de mangueras: evaporador, secador y condensador. Anbauteile Schlauch: Verdampfer, Entfeuchter und kondensor. Montage flexibles: évaporateur, deshydrat.et condenseur. Assembly of hose: evaporator, receiver drier and condenser. | Catalogue id | Group |
| 2 | | | 20007 | 874 |
| 3 | | | Illustr. No | Section |
| 4 | | | 1007283 | 300 |
| 5 | | | Issue | Page |
| | | 80813, 80868 | VOE 63D9920007 | 745 |

VOLVO

L90E



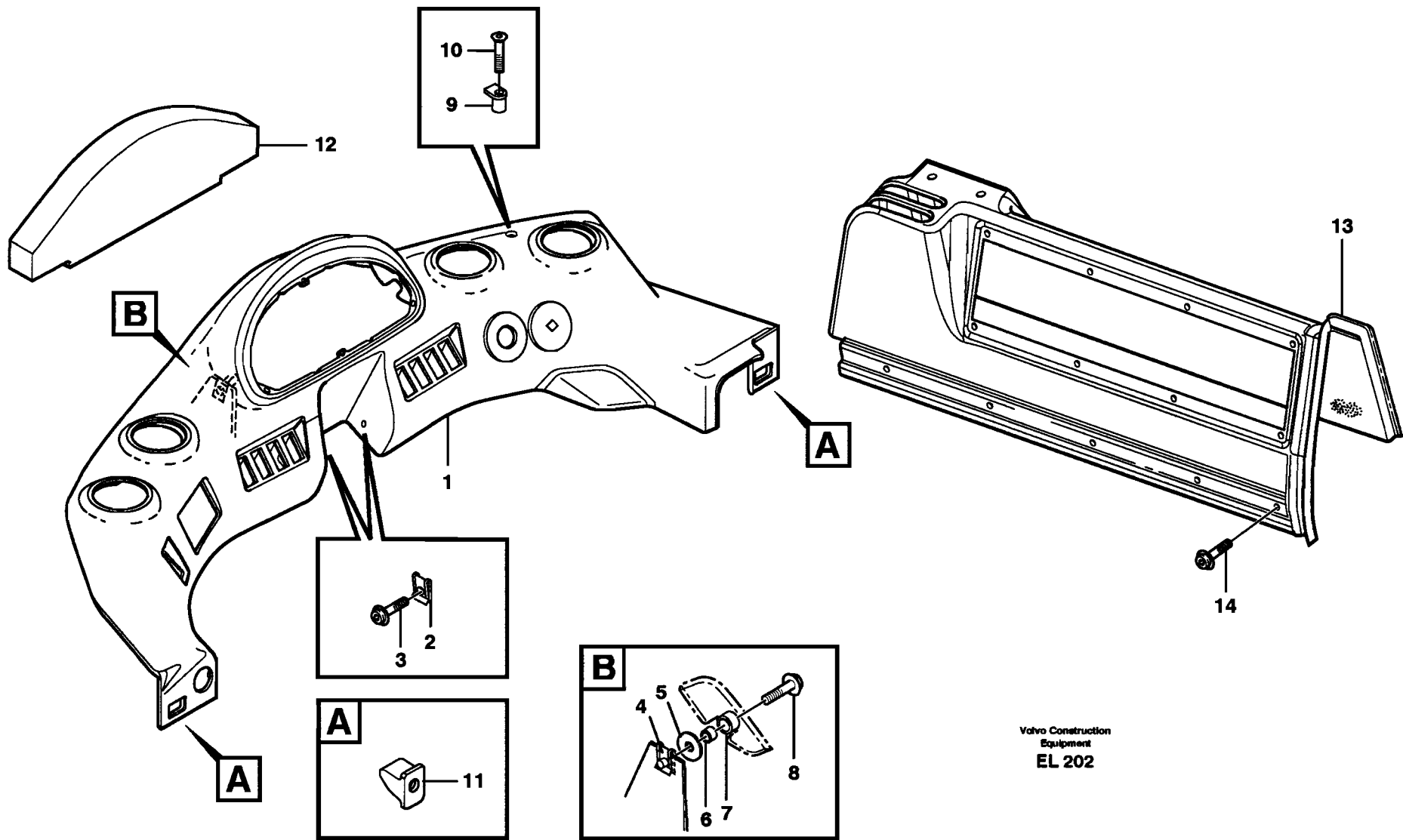
Volvo Construction
Equipment Group
EE 331

| Fig. | Part No. | Quantity | | | P S | K I T | Description | Dénomination | Bezeichnung | Denominación | Benämning | Notes |
|----------|---------------------|----------|---|---|--------|------------------------|----------------------|-----------------------|---------------------|----------------------|-----------|-------|
| | | 1 | 2 | 3 | | | | | | | | |
| | VOE 11104419 | 1 | | | | Compressor | Compresseur | Kompressor..... | Compresor | Kompressor..... | | |
| 1 | VOE 11704565 | 1 | | | | •Sealing Kit | •Jeu Joints..... | •Dichtungssatz | •Juego Retenes..... | •Tätningssats..... | | |
| 2 | VOE 11707766 | 1 | | | | •O-ring..... | •Joint Torique..... | •O-Ring..... | •Junta torica | •O-ring..... | "S" | |
| 3 | VOE 11707767 | 1 | | | | •O-ring..... | •Joint Torique..... | •O-Ring..... | •Junta torica | •O-ring..... | "D" | |
| 4 | VOE 11707768 | 1 | | | | •Solenoid Clutch | •Accoupl.magnet..... | •Magnetkupplung | •Acoplam Iman | •Magnetkoppling..... | | |

| | | | | |
|----------|--|-----------------------|-----------------------|----------------|
| 1 | | Kompressor | Catalogue id | Group |
| 2 | | Compresor | 20007 | 874 |
| 3 | | Kompressor | Illustr. No | Section |
| 4 | | Compresseur | EE331 | 350 |
| 5 | | Air compressor | Issue | Page |
| | | | VOE 63D9920007 | 747 |

VOLVO

L90E



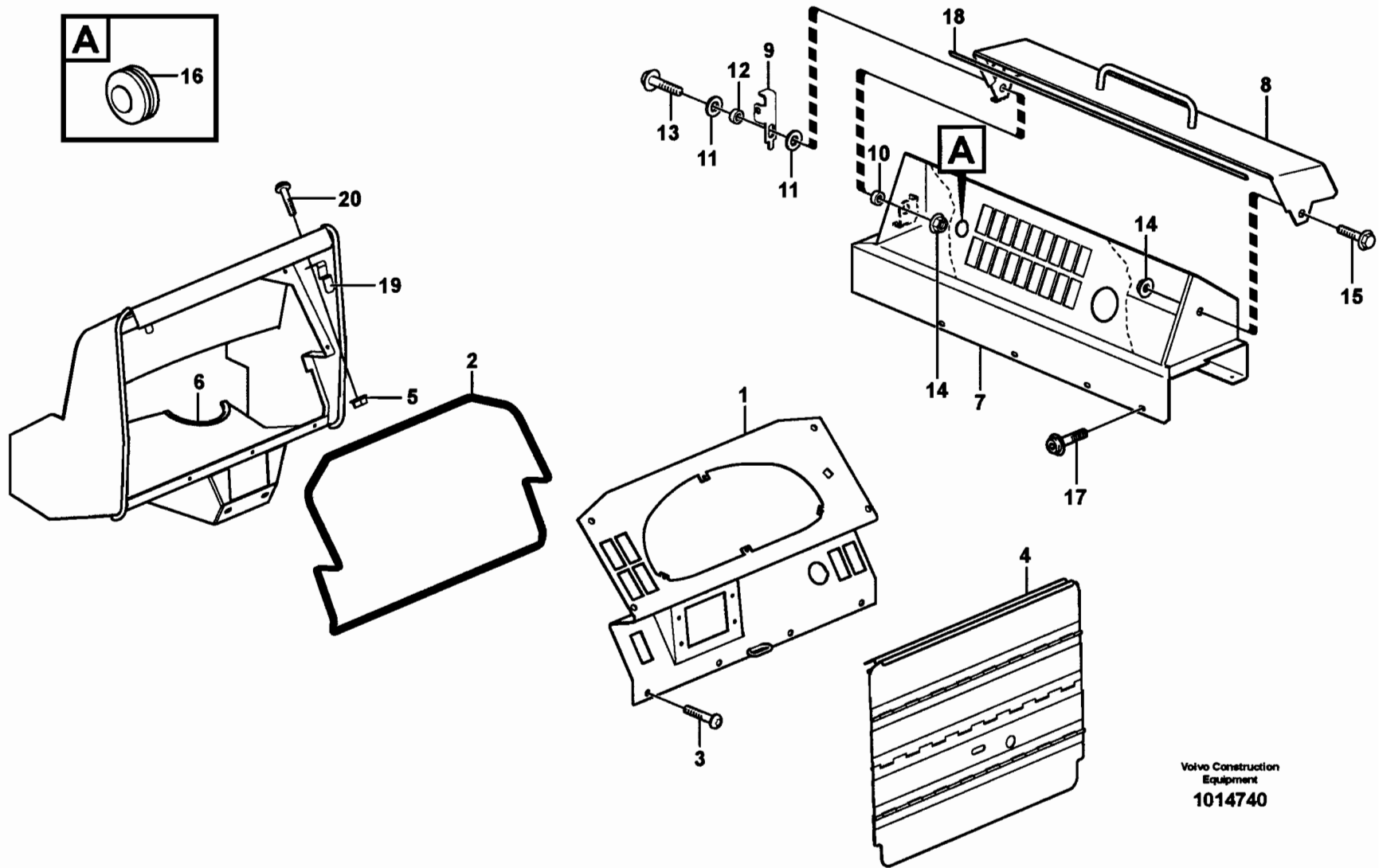
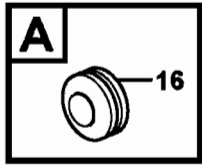
Volvo Construction
Equipment
EL 202

| Fig. | Part No. | Quantity | | | P S | K I T | Description | Dénomination | Bezeichnung | Denominación | Benämning | Notes |
|------|--------------|----------|---|---|--------|-------------|------------------|----------------------|-------------------------|----------------------|----------------------|-------|
| | | 1 | 2 | 3 | | | | | | | | |
| 1 | VOE 11164330 | 1 | | | | | Instr Panel..... | Planche de bord..... | Instr Tafel | Panel Instrum | Instrumentpanel..... | |
| 2 | VOE 13949867 | 2 | | | | | Spring Nut..... | Ecrou Ressort | Fed. Schliessmutter ... | Tuerca Resorte | Fjädermutter..... | |
| 3 | VOE 971381 | 2 | | | | | Screw | Vis | Schraube..... | Tornillo | Skruv..... | |
| 4 | VOE 13949867 | 2 | | | | | Spring Nut..... | Ecrou Ressort | Fed. Schliessmutter ... | Tuerca Resorte | Fjädermutter..... | |
| 5 | VOE 13960141 | 2 | | | | | Washer..... | Rondelle..... | Scheibe..... | Arandela..... | Bricka..... | |
| 6 | VOE 930415 | 2 | | | | | Spacer Ring..... | Bagu.entretoise..... | Abstandring | Anillo Dist | Distansring..... | |
| 7 | VOE 11104422 | 2 | | | | | Ring..... | Anneau..... | Ring..... | Anillo | Ring..... | |
| 8 | VOE 971383 | 2 | | | | | Screw | Vis | Schraube..... | Tornillo | Skruv..... | |
| 9 | VOE 977984 | 2 | | | | | Spring Nut..... | Ecrou Ressort | Fed. Schliessmutter ... | Tuerca Resorte | Fjädermutter..... | |
| 10 | VOE 981635 | 2 | | | | | Screw | Vis | Schraube..... | Tornillo | Skruv..... | |
| 11 | VOE 11104645 | 2 | | | | | Support | Support | Stütze | Apoyo | Stöd..... | |
| 12 | | 1 | | | NS | | Insulation..... | Isolation..... | Isolierung..... | Aislamiento..... | Isolering..... | |
| 13 | VOE 11104349 | 1 | | | | | Side Panel..... | Panneau Lateral..... | Seit Verkl..... | Panel Lateral | Sidopanel..... | |
| 14 | VOE 972079 | 8 | | | | | Screw | Vis | Schraube..... | Tornillo | Skruv..... | |

| | | | |
|---|--|----------------|---------|
| 1 | Instrumentpanel Panel de instrumentos Instrumententafel Tableau de bord Instrument panel | Catalogue id | Group |
| 2 | | 20007 | 881 |
| 3 | | Illustr. No | Section |
| 4 | | EL202 | 100 |
| 5 | | Issue | Page |
| | | VOE 63D9920007 | 749 |

VOLVO

L90E



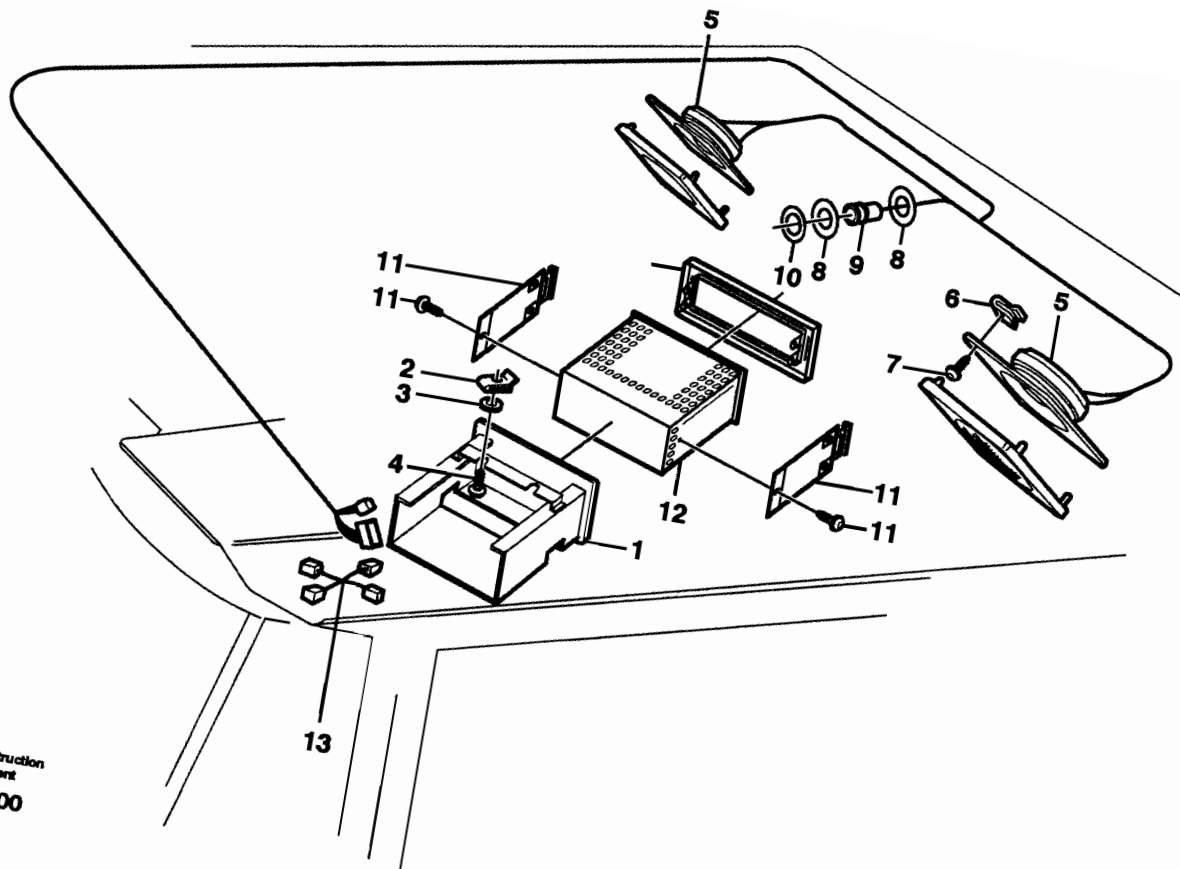
Volvo Construction
Equipment
1014740

| Fig. | Part No. | Quantity | | | P S | K I T | Description | Dénomination | Bezeichnung | Denominación | Benämning | Notes |
|------|--------------|----------|---|---|--------|-------------|------------------------|--------------------------|-------------------------|--------------------------|----------------------|-------------|
| | | 1 | 2 | 3 | | | | | | | | |
| 1 | VOE 11164813 | 1 | | | | | Instrument panel | Tableau de bord | Instrumententafel | Tablero de instrumen | Instrumentpanel..... | |
| 2 | VOE 762681 | REQ | | | | | Rubber Moulding..... | Joint Caoutchouc | Gummileiste | Liston Goma | Gummilist..... | L = 1654 MM |
| 3 | VOE 13975237 | 8 | | | | | Lock nut | Contre-ecrou | Sicherungsmutter | Contratuerca | Låsmutter..... | |
| 4 | | 1 | | | NS | | Protecting plate | Tole protection | Schutzblech..... | Placa proteccion..... | Skyddsplåt..... | |
| 5 | VOE 13945407 | 3 | | | | | Nut | Ecrou..... | Mutter..... | Tuerca | Mutter..... | |
| 6 | VOE 11006785 | REQ | | | | | Framework moulding . | Baguette claire-voie ... | Kubelstange | Moldura armadura | Skelettlíst..... | L = 157 MM |
| 7 | VOE 11164831 | 1 | | | | | Side Panel..... | Panneau Lateral..... | Seit Verkl..... | Panel Lateral | Sidopanel..... | |
| 8 | | 1 | | | NS | | •Protecting plate..... | •Tole protection | •Schutzblech | •Placa proteccion | •Skyddsplåt..... | |
| 9 | | 1 | | | NS | | •Locking | •Blocage..... | •Riegel..... | •Bloqueo..... | •Spärr..... | |
| 10 | VOE 11006944 | 1 | | | | | •Spacer Sleeve | •Doui.entretoise..... | •Distanzhülse | •Manguito Dist..... | •Distanshylsa..... | |
| 11 | VOE 13960141 | 2 | | | | | •Washer | •Rondelle..... | •Scheibe..... | •Arandela..... | •Bricka..... | |
| 12 | 11164872 | 1 | | | | | •Spacer | •Entretoise..... | •Abstandstueck | •Casquillo distanciad .. | •Distans..... | |
| 13 | VOE 946671 | 1 | | | | | •Flange screw | •Vis à bride..... | •Flanschschraube..... | •Torn embridado..... | •Flänsskruv..... | |
| 14 | VOE 948645 | 2 | | | | | •Flange Lock Nut | •Contre écrou bride ... | •Flanschmutter | •Contratuer Embr | •Flänslåsmutter..... | |
| 15 | VOE 13946173 | 1 | | | | | •Flange screw | •Vis à bride..... | •Flanschschraube..... | •Torn embridado..... | •Flänsskruv..... | |
| 16 | VOE 941269 | 1 | | | | | Plug..... | Bouchon..... | Stopfen..... | Tapon..... | Plugg..... | |
| 17 | VOE 972079 | 8 | | | | | Screw..... | Vis..... | Schraube..... | Tornillo | Skruv..... | |
| 18 | VOE 4786031 | REQ | | | | | Framework moulding . | Baguette claire-voie ... | Kubelstange | Moldura armadura | Skelettlíst..... | L = 645 MM |
| 19 | VOE 11164806 | 2 | | | | | Spring..... | Ressort..... | Feder..... | Muelle..... | Fjäder..... | |
| 20 | VOE 969513 | 4 | | | | | Screw..... | Vis..... | Schraube..... | Tornillo | Skruv..... | |

| | | | | |
|---|--|-----------------------|-----------------------|------------|
| 1 | | Instrumentpanel | Catalogue id | Group |
| 2 | | Panel de instrumentos | 20007 | 881 |
| 3 | | Instrumententafel | Illustr. No | Section |
| 4 | | Tableau de bord | 1014740 | 150 |
| 5 | | Instrument panel | Issue | Page |
| | | OPEN ROPS | VOE 63D9920007 | 751 |

VOLVO

L90E



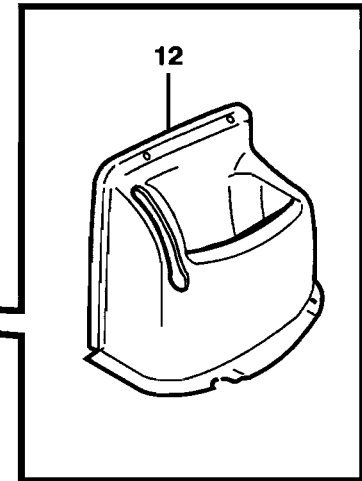
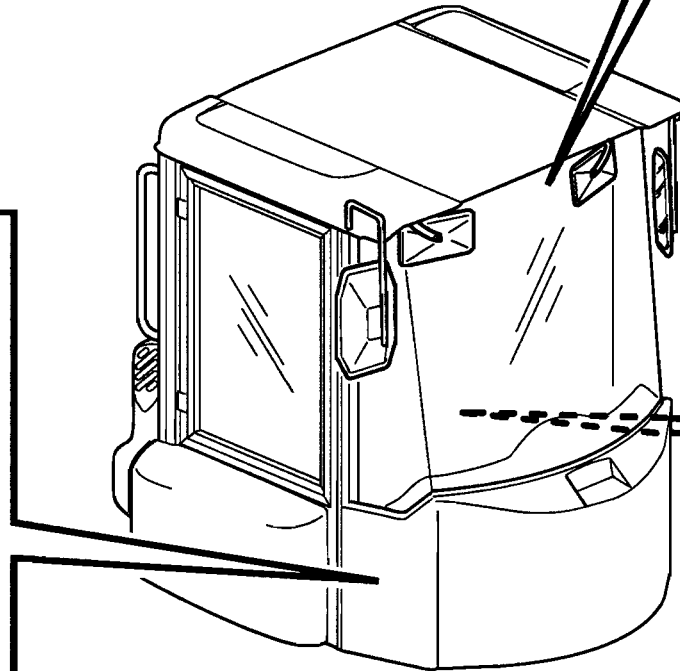
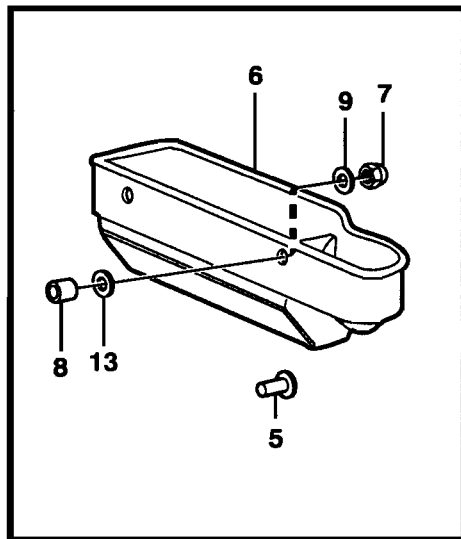
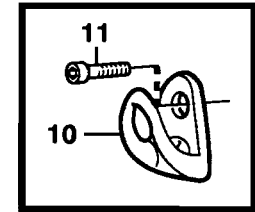
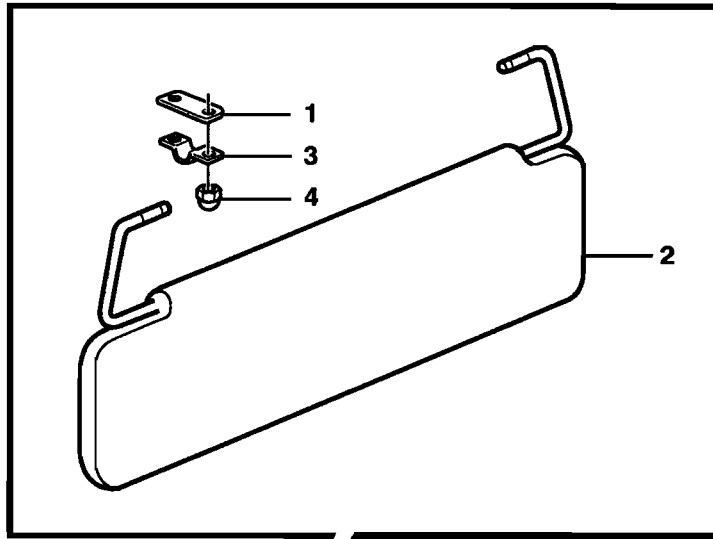
Volvo Construction
Equipment
1002300

| Fig. | Part No. | Quantity | | | | | P S | K I T | Description | Dénomination | Bezeichnung | Denominación | Benämning | Notes |
|------|--------------|----------|---|---|---|---|--------|-----------------|---------------------|---------------------|-----------------|----------------|------------|-------|
| | | 1 | 2 | 3 | 4 | 5 | | | | | | | | |
| 1 | VOE 11006914 | 1 | | | | | | Radio Bracket | Support Radio | Radioträger | Consola Radio | Radiokonsol | | |
| 2 | VOE 949921 | 2 | | | | | | Spring Nut | Ecrou Ressort | Fed. Schliessmutter | Tuerca Resorte | Fjädermutter | | |
| 3 | VOE 960139 | 2 | | | | | | Washer | Rondelle | Scheibe | Arandela | Bricka | | |
| 4 | VOE 971319 | 2 | | | | | | Screw | Vis | Schraube | Tornillo | Skruv | | |
| 5 | VOE 1343040 | 1 | | | | | | Speaker Kit | Jeu Haut-parl. | Lautspr.satz | Juego Altavoz | Högtalarsats | CAB - 2363 | |
| | VOE 11201898 | 2 | | | | | | Speaker | Haut-parleur | Lautsprecher | Altavoz | Högtalare | CAB 2364 - | |
| | VOE 11201899 | 2 | | | | | | Speaker Grille | Grille Haut-parleur | Lautsprechergitter | Rejilla Altavoz | Högtalargaller | CAB 2364 - | |
| 6 | VOE 192557 | 8 | | | | | | Spring Nut | Ecrou Ressort | Fed. Schliessmutter | Tuerca Resorte | Fjädermutter | | |
| 7 | VOE 972079 | 8 | | | | | | Screw | Vis | Schraube | Tornillo | Skruv | CAB -2363 | |
| | VOE 972007 | 8 | | | | | | Screw | Vis | Schraube | Tornillo | Skruv | CAB 2364 - | |
| 8 | VOE 11006119 | 2 | | | | | | Washer | Rondelle | Scheibe | Arandela | Bricka | | |
| 9 | VOE 11039750 | 1 | | | | | | Electrical plug | Fiche | Steckdose | Toma eléctrica | Eluttag | | |
| 10 | VOE 11006120 | 1 | | | | | | Decal | Decalcomanie | Abziehbild | Decalcomania | Dekal | | |
| 11 | VOE 1384583 | | 1 | | | | | Instl Kit | Kit Installati. | Einbausatz | Juego Instal | Installat.sats | | |
| 12 | VOE 20539561 | 1 | 1 | 1 | | | | Radio | Auto-radio | Radio | Radio | Radio | | |
| | VOE 11885603 | | | | 1 | | | Radio | Auto-radio | Radio | Radio | Radio | | |
| 13 | VOE 11170815 | | 1 | 1 | | | | Cable harness | Faisceau cables | Kabelbaum | Manojo cables | Ledningsmatta | | |

| | | | | |
|---|-------|---|----------------------------|---------|
| 1 | 80518 | Radiokonsol. Panel radio. Radiotafel. Panneau radio. Radio bracket. | Catalogue id | Group |
| 2 | 80390 | | 20007 | 881 |
| 3 | 82331 | | Illustr. No | Section |
| 4 | 82332 | | 1002300 | 200 |
| 5 | | | Issue | Page |
| | | | VOE 63D9920007 | 753 |
| | | | 80518, 80390, 82331, 82332 | |

VOLVO

L90E



Volvo Construction
Equipment
1008768

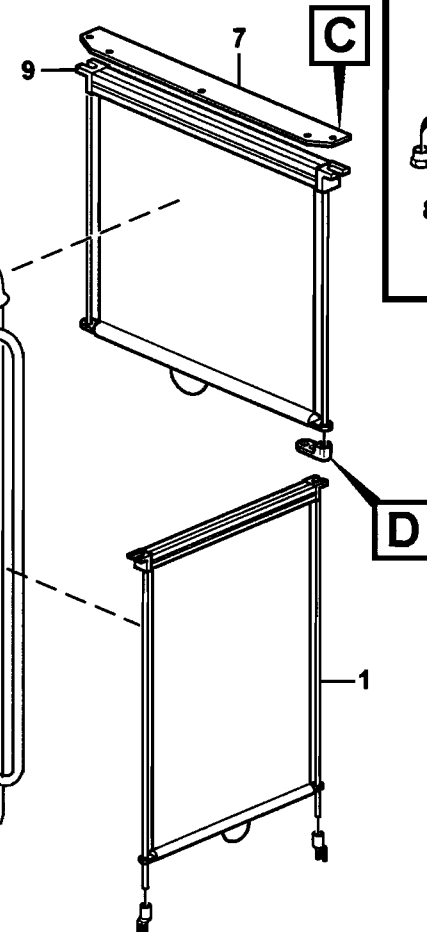
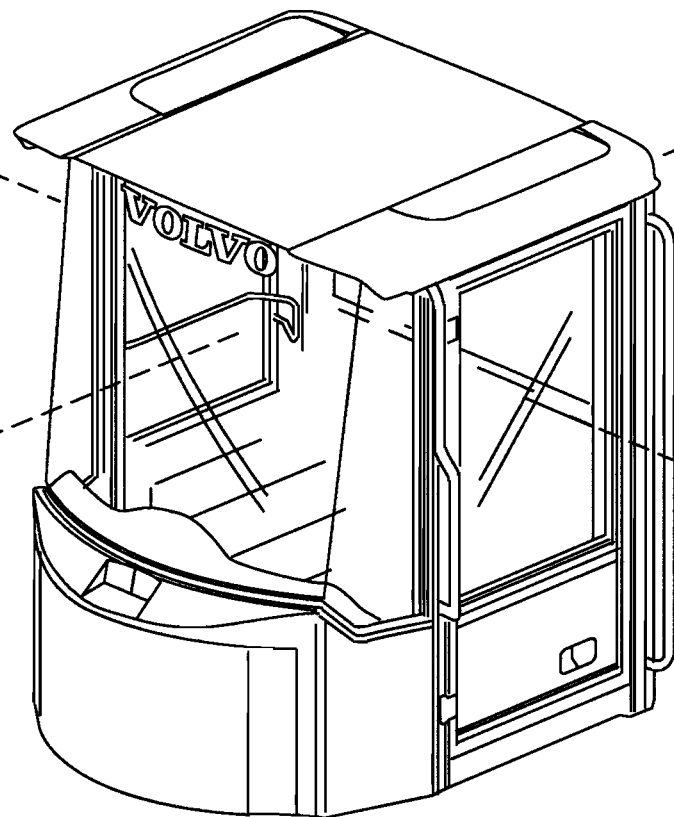
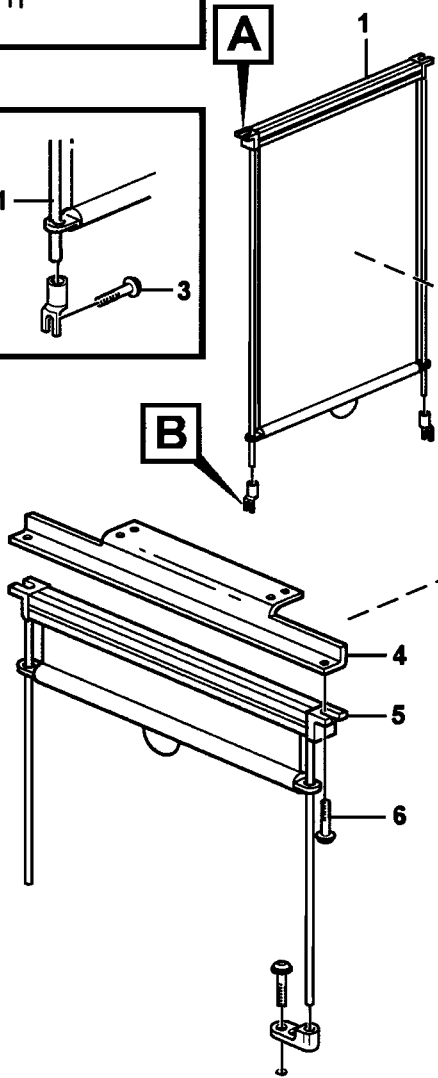
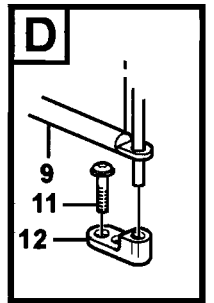
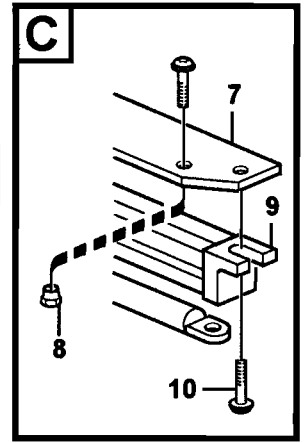
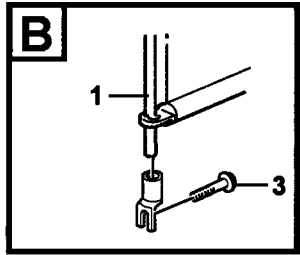
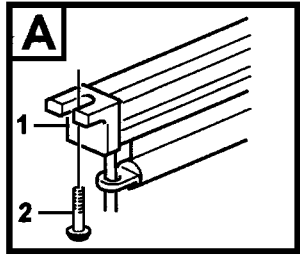


| Fig. | Part No. | Quantity | | | P S | K I T | Description | Dénomination | Bezeichnung | Denominación | Benämning | Notes |
|------|--------------|----------|---|---|--------|--------------------|----------------------|--------------------|-------------------------|---------------------|-----------|-------|
| | | 1 | 2 | 3 | | | | | | | | |
| 1 | VOE 14343207 | 2 | 2 | | | Spacer..... | Entretoise..... | Abstandstueck..... | Casquillo distanciad .. | Distans..... | | |
| 2 | VOE 11006992 | 1 | 1 | | | Sun Visor | Pare soleil | Sonnenblende | Pafasol | Solskydd..... | | |
| 3 | VOE 14343206 | 2 | 2 | | | Cap | Cavalier | Überwurf..... | Sombrerete | Överfall..... | | |
| 4 | VOE 11005777 | 4 | 4 | | | Cap Nut..... | Ecrou Capuchon | Hutmutter | Tuerca Sombrer | Hattmutter..... | | |
| 5 | VOE 11006726 | 1 | | | | Push Button | Bouton-poussoir..... | Druckknopf | Boton empujador..... | Tryckknapp..... | | |
| 6 | VOE 11104485 | 1 | 1 | | | Storage Tray | Case Rangement | Ablagefach | Espac Guardaobj | Förvaringsfack..... | | |
| 7 | VOE 11005777 | 2 | 2 | | | Cap Nut..... | Ecrou Capuchon | Hutmutter | Tuerca Sombrer | Hattmutter..... | | |
| 8 | VOE 930415 | 2 | | | | Spacer Ring | Bagu.entretoise..... | Abstandring | Anillo Dist | Distansring..... | | |
| 9 | VOE 960139 | 2 | 2 | | | Washer..... | Rondelle | Scheibe | Arandela | Bricka..... | | |
| 10 | VOE 11078015 | 2 | | | | Coat hanger | Porte manteau | Kleiderhaken | Percha | Klädkrok..... | | |
| 11 | VOE 969456 | 4 | | | | Screw | Vis | Schraube..... | Tornillo | Skruv..... | | |
| 12 | VOE 11164380 | 1 | | | | Cover | Capot | Haube..... | Cubierta | Kåpa..... | | |
| 13 | VOE 960139 | | 2 | | | Washer..... | Rondelle | Scheibe | Arandela | Bricka..... | | |

| | | | | |
|---|-----------|--|----------------|---------|
| 1 | STD | Inredningsdetaljer Detalles interiores Innenausstattung Pieces d'amenagement Interior components | Catalogue id | Group |
| 2 | OPEN ROPS | | 20007 | 882 |
| 3 | | | Illustr. No | Section |
| 4 | | | 1008768 | 100 |
| 5 | | | Issue | Page |
| | | | VOE 63D9920007 | 755 |

VOLVO

L90E



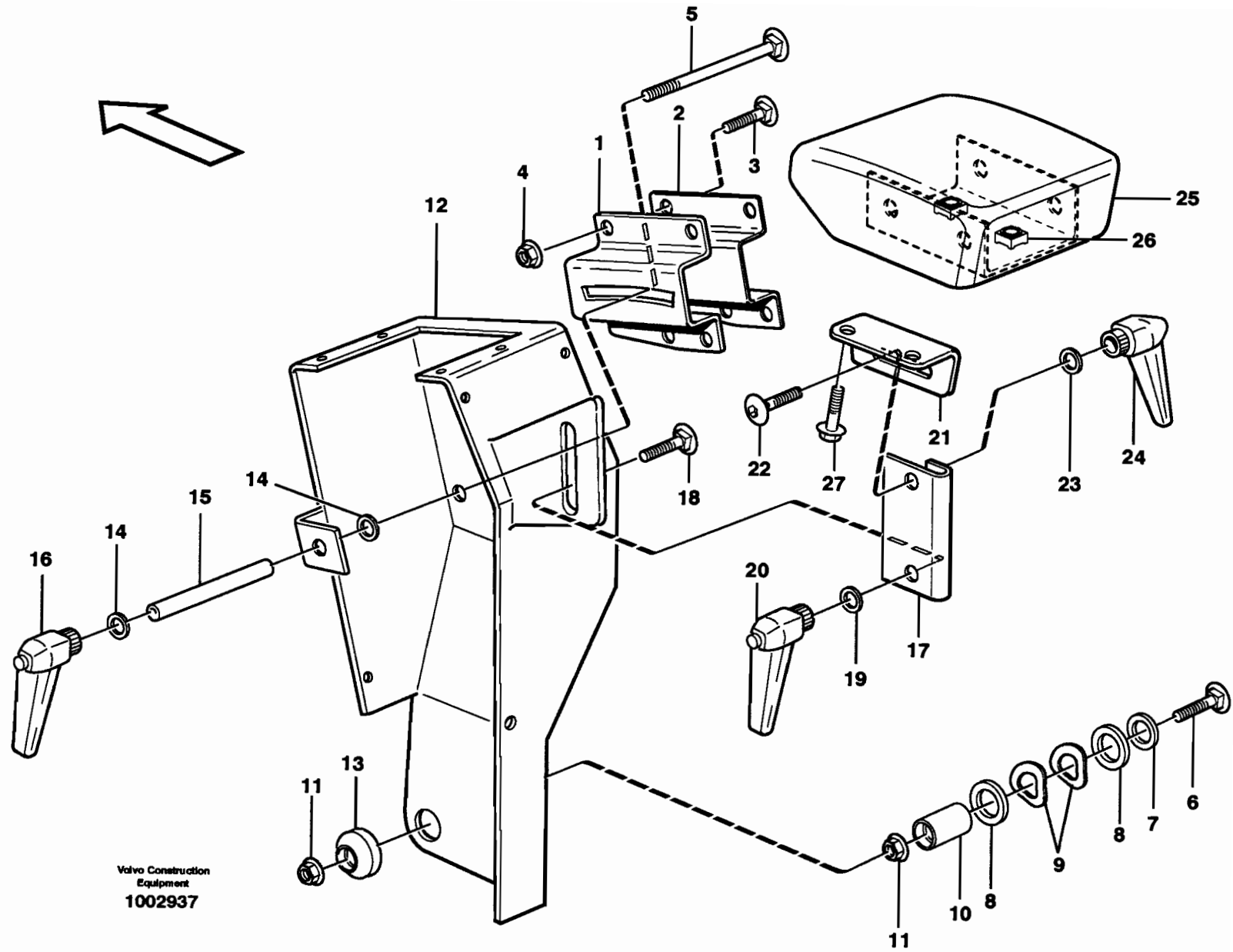
Volvo Construction
Equipment
1014706

| Fig. | Part No. | Quantity | | | P S | K I T | Description | Dénomination | Bezeichnung | Denominación | Benämning | Notes |
|------|--------------|----------|---|---|--------|----------------------|--------------------|------------------------|----------------------|----------------------|-----------|-------|
| | | 1 | 2 | 3 | | | | | | | | |
| 1 | VOE 11006035 | 2 | | | | Sun Blind..... | Jalousie..... | Sonnenvorhang..... | Cortina Parasol..... | Solskyddsgardin..... | | |
| | VOE 11712731 | 2 | | | | •Anchorage..... | •Fixation..... | •Halterung..... | •Fijacion..... | •Fäste..... | | |
| | VOE 11712732 | 2 | | | | •Anchorage..... | •Fixation..... | •Halterung..... | •Fijacion..... | •Fäste..... | | |
| 2 | VOE 972079 | 4 | | | | Screw..... | Vis..... | Schraube..... | Tornillo..... | Skruv..... | | |
| 3 | VOE 972071 | 4 | | | | Screw..... | Vis..... | Schraube..... | Tornillo..... | Skruv..... | | |
| 4 | VOE 11007425 | | 1 | | | Attachment..... | Fixation..... | Halterung..... | Fijacion..... | Fäste..... | | |
| 5 | VOE 11006034 | | 1 | | | Sun Blind..... | Jalousie..... | Sonnenvorhang..... | Cortina Parasol..... | Solskyddsgardin..... | | |
| 6 | VOE 972079 | | 2 | | | Screw..... | Vis..... | Schraube..... | Tornillo..... | Skruv..... | | |
| 7 | VOE 11104180 | | 1 | | | Attaching Plate..... | Tole fixation..... | Befestigungsblech..... | Chapa fijacion..... | Fästplåt..... | | |
| 8 | VOE 11104181 | | 3 | | | Nut..... | Ecrou..... | Mutter..... | Tuerca..... | Mutter..... | | |
| 9 | VOE 11006036 | | 1 | | | Sun Blind..... | Jalousie..... | Sonnenvorhang..... | Cortina Parasol..... | Solskyddsgardin..... | | |
| 10 | VOE 972079 | | 2 | | | Screw..... | Vis..... | Schraube..... | Tornillo..... | Skruv..... | | |
| 11 | VOE 972071 | | 2 | | | Screw..... | Vis..... | Schraube..... | Tornillo..... | Skruv..... | | |
| 12 | VOE 11712751 | | 2 | | | Anchorage..... | Fixation..... | Halterung..... | Fijacion..... | Fäste..... | | |

| | | | | |
|---|-------|--|-----------------------|------------|
| 1 | 80307 | Inredningsdetaljer, solskyddsgardiner. Componentes interiores, cortina parasol. Innenausstattung, Sonnenvorhang. Pièces d'aménagement, jalousie. Interior components, sun blinds. | Catalogue id | Group |
| 2 | 80308 | | 20007 | 882 |
| 3 | | | Illustr. No | Section |
| 4 | | | 1014706 | 150 |
| 5 | | | Issue | Page |
| | | 80307, 80308 | VOE 63D9920007 | 757 |

VOLVO

L90E



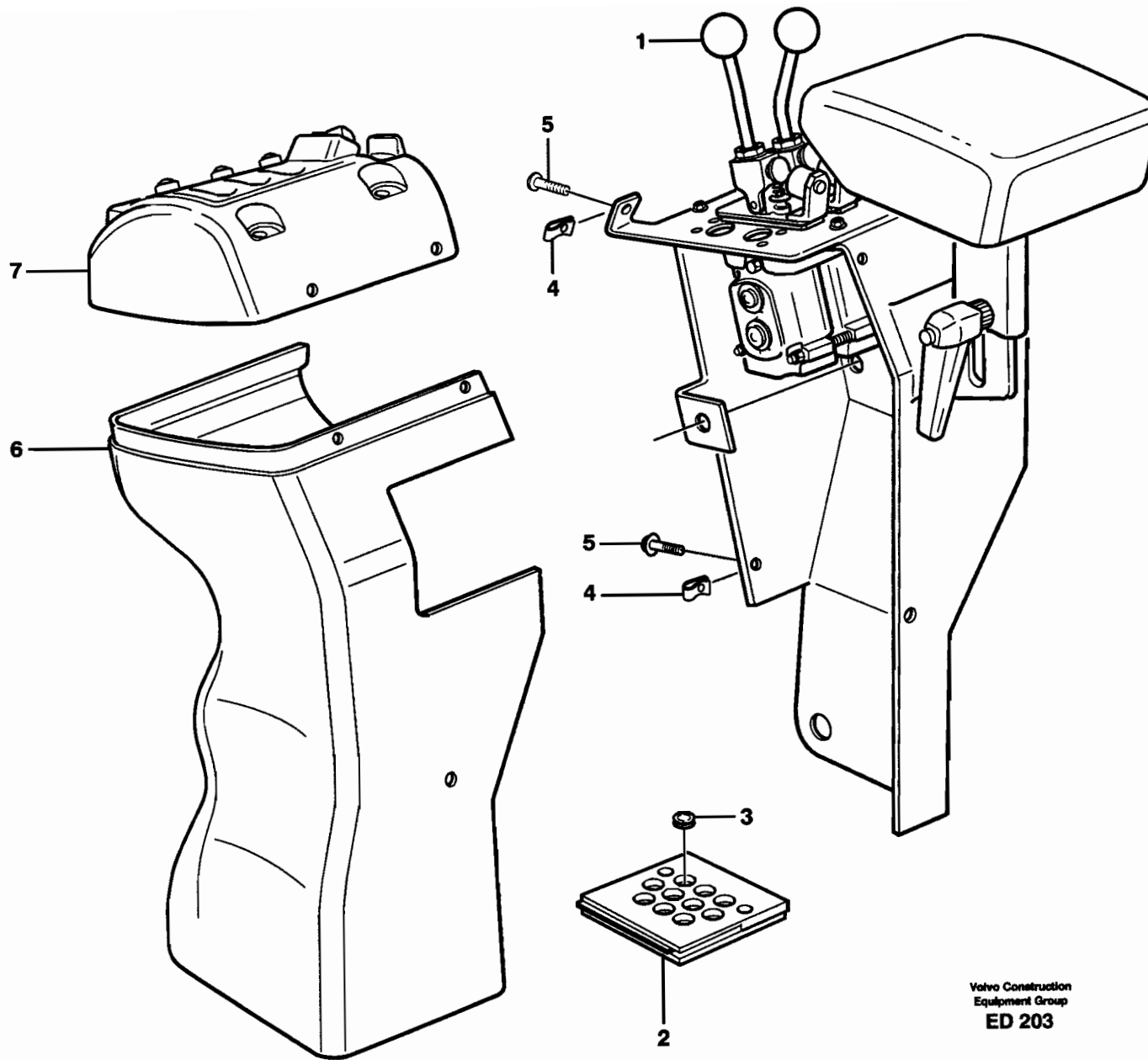
Valvo Construction
Equipment
1002937

| Fig. | Part No. | Quantity | | | P S | K I T | Description | Dénomination | Bezeichnung | Denominación | Benämning | Notes |
|------|--------------|----------|---|---|--------|-------------|------------------------|--------------------------|--------------------------|------------------------|--------------------|-------|
| | | 1 | 2 | 3 | | | | | | | | |
| 1 | VOE 11104649 | 1 | | | | | Anchorage..... | Fixation | Halterung..... | Fijacion | Fäste..... | |
| 2 | VOE 11104650 | 1 | | | | | Support | Support | Stütze | Apoyo | Stöd..... | |
| 3 | VOE 13948438 | 4 | | | | | Sq Neck Screw | Vis Tete Bombee | Schr. M. 4-kant..... | Tornillo Rotula | Kullerskruv..... | |
| 4 | VOE 13945408 | 4 | | | | | Nut | Ecrou..... | Mutter | Tuerca | Mutter..... | |
| 5 | VOE 981693 | 1 | | | | | Sq Neck Screw | Vis Tete Bombee | Schr. M. 4-kant..... | Tornillo Rotula | Kullerskruv..... | |
| 6 | VOE 976193 | 1 | | | | | Sq Neck Screw | Vis Tete Bombee | Schr. M. 4-kant..... | Tornillo Rotula | Kullerskruv..... | |
| 7 | VOE 13960145 | 1 | | | | | Washer..... | Rondelle..... | Scheibe | Arandela..... | Bricka..... | |
| 8 | VOE 955905 | 2 | | | | | Washer..... | Rondelle..... | Scheibe | Arandela..... | Bricka..... | |
| 9 | VOE 941916 | 2 | | | | | Spring Washer | Rondelle élastique | Federscheibe | Arandela flexible..... | Fjäderbricka..... | |
| 10 | VOE 11104664 | 1 | | | | | Pin..... | Goupille..... | Zapfen | Pasador..... | Tapp..... | |
| 11 | VOE 13945408 | 2 | | | | | Nut | Ecrou..... | Mutter | Tuerca | Mutter..... | |
| 12 | VOE 11104646 | 1 | | | | | Valve Atch..... | Fixe-soupape | Ventilträger..... | Fij Valvula..... | Ventilfäste..... | |
| 13 | VOE 11104665 | 1 | | | | | Cap | Cavalier..... | Überwurf..... | Sombbrero..... | Överfall..... | |
| 14 | VOE 13960141 | 2 | | | | | Washer..... | Rondelle..... | Scheibe | Arandela..... | Bricka..... | |
| 15 | VOE 11104653 | 1 | | | | | Tube..... | Tube..... | Rohr | Tube | Rör..... | |
| 16 | VOE 11104695 | 1 | | | | | Lock Lever | Levier Blocage | Sperrriegel..... | Palanca Bloqueo | Låshävarm..... | |
| 17 | VOE 11164385 | 1 | | | | | Rail..... | Rail..... | Schiene | Rail | Skena..... | |
| 18 | VOE 13948438 | 1 | | | | | Sq Neck Screw | Vis Tete Bombee | Schr. M. 4-kant..... | Tornillo Rotula | Kullerskruv..... | |
| 19 | VOE 13960141 | 1 | | | | | Washer..... | Rondelle..... | Scheibe | Arandela..... | Bricka..... | |
| 20 | VOE 11104695 | 1 | | | | | Lock Lever | Levier Blocage | Sperrriegel..... | Palanca Bloqueo | Låshävarm..... | |
| 21 | VOE 11104603 | 1 | | | | | Attaching Bracket..... | Equerre Fixation..... | Befestigungswinkel | Fijacion Angular | Fästvinkel..... | |
| 22 | VOE 13948438 | 1 | | | | | Sq Neck Screw | Vis Tete Bombee | Schr. M. 4-kant..... | Tornillo Rotula | Kullerskruv..... | |
| 23 | VOE 13960141 | 1 | | | | | Washer..... | Rondelle..... | Scheibe | Arandela..... | Bricka..... | |
| 24 | VOE 11104695 | 1 | | | | | Lock Lever | Levier Blocage | Sperrriegel..... | Palanca Bloqueo | Låshävarm..... | |
| 25 | VOE 4937914 | 1 | | | | | Support | Support | Stütze | Apoyo | Stöd..... | |
| 26 | VOE 961614 | 2 | | | | | ••Weld Nut..... | ••Ecrou Soude..... | ••Schweissmutter | ••Tuerca Soldada | ••Svetsmutter..... | |
| 27 | VOE 946440 | 2 | | | | | Flange screw..... | Vis à bride | Flanschschraube..... | Torn embridado | Flänsskruv..... | |

| | | | | |
|---|--|--|-----------------------|------------|
| 1 | | Armstöd Reposabrazos Arملهنه Accoudoir Armrest STD, OPEN ROPS | Catalogue id | Group |
| 2 | | | 20007 | 882 |
| 3 | | | Illustr. No | Section |
| 4 | | | 1002937 | 200 |
| 5 | | | Issue | Page |
| | | | VOE 63D9920007 | 759 |

VOLVO

L90E



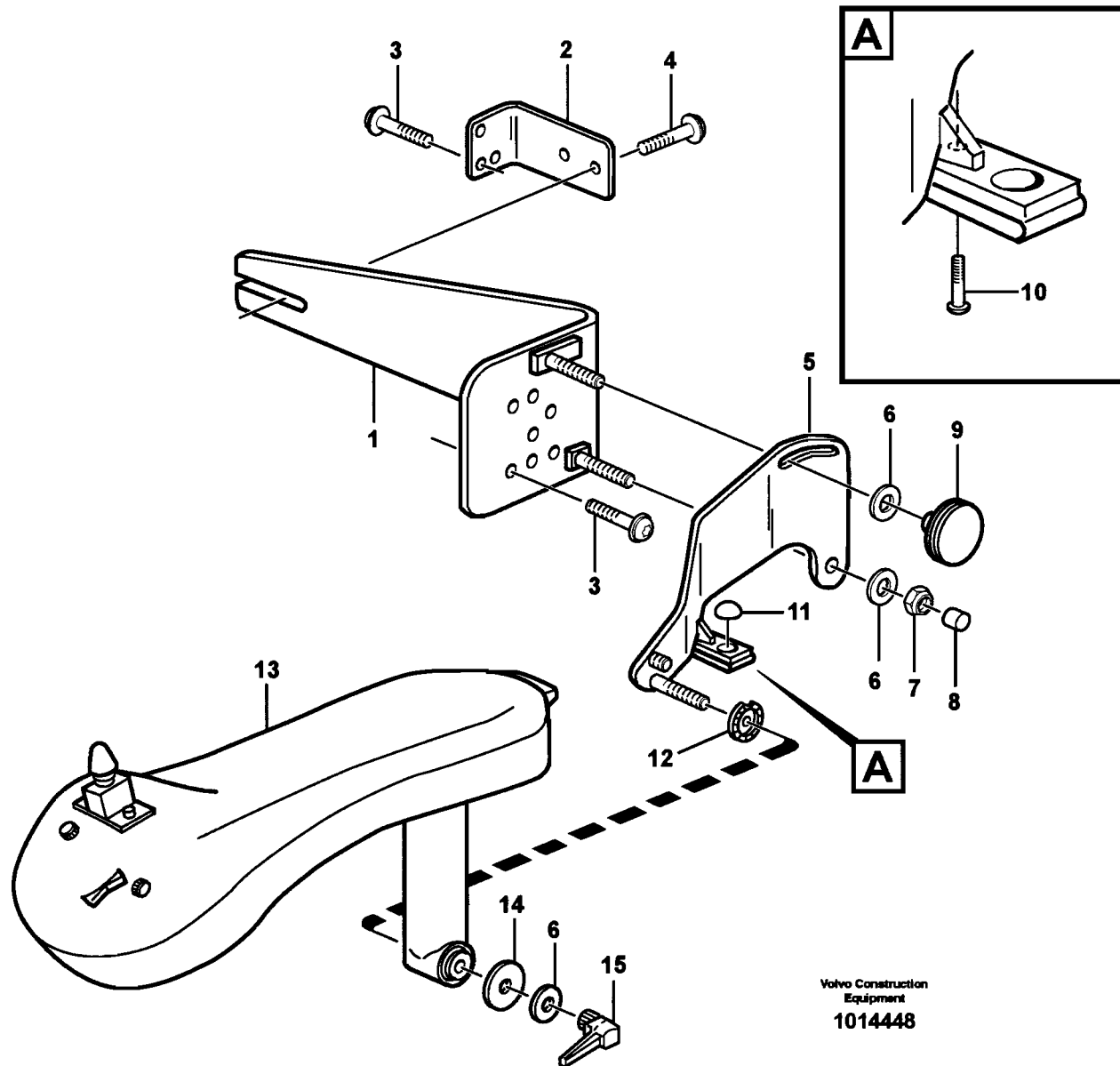
Volvo Construction
Equipment Group
ED 203

| Fig. | Part No. | Quantity | | | P S | K I T | Description | Dénomination | Bezeichnung | Denominación | Benämning | Notes |
|------|--------------|----------|---|---|--------|---------------------|----------------------|---------------------------|----------------------|-------------------|-------------------------|-------|
| | | 1 | 2 | 3 | | | | | | | | |
| 1 | | 1 | | | | Servo valve | Servovalve | Servoventil | Valvula servo..... | Servoventil..... | See group 914, Page 837 | |
| 2 | VOE 11164454 | 1 | | | | Hose retainer | Porte-flexible | Schlauchhalter | Reten manguera | Slanghållare..... | | |
| 3 | VOE 941266 | 4 | | | | •Plug | •Bouchon..... | •Stopfen | •Tapon..... | •Plugg..... | | |
| 4 | VOE 949921 | 6 | | | | Spring Nut..... | Ecrou Ressort | Fed. Schliessmutter | Tuerca Resorte | Fjädermutter..... | | |
| 5 | VOE 971322 | 6 | | | | Screw..... | Vis | Schraube..... | Tornillo | Skruv..... | | |
| 6 | VOE 11104642 | 1 | | | | Casing..... | Boitier..... | Gehäuse..... | Cubierta..... | Kåpa..... | | |
| 7 | VOE 11006225 | 1 | | | | Casing..... | Boitier..... | Gehäuse..... | Cubierta..... | Kåpa..... | See group 371, Page 257 | |

| | | | | |
|---|--|--|----------------|------------|
| 1 | | Kåpa för servoventil Cubierta para servoválvula Haube für Servoventil Capot pour servovalve Cover for servo valves STD, OPEN ROPS | Catalogue id | Group |
| 2 | | | 20007 | 882 |
| 3 | | | Illustr. No | Section |
| 4 | | | ED203 | 300 |
| 5 | | | Issue | Page |
| | | | VOE 63D9920007 | 761 |

VOLVO

L90E

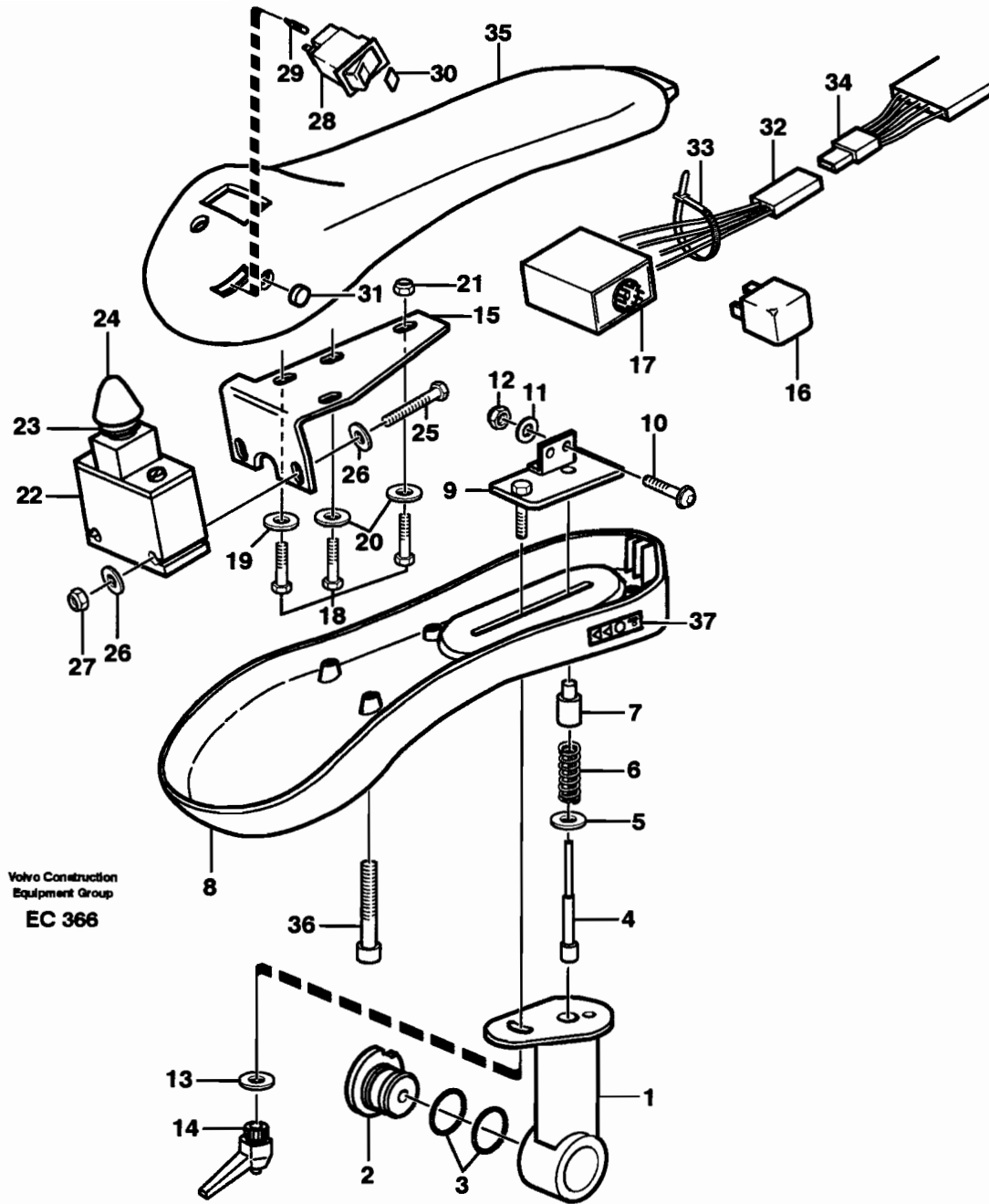


| Fig. | Part No. | Quantity | | | P S | K I T | Description | Dénomination | Bezeichnung | Denominación | Benämning | Notes |
|------|--------------|----------|---|---|--------|-------------|----------------------|---------------------------|------------------------|----------------------------|-----------------|-------------------------|
| | | 1 | 2 | 3 | | | | | | | | |
| 1 | VOE 11007869 | 1 | | | | | Anchorage..... | Fixation | Halterung..... | Fijacion..... | Fäste..... | |
| 2 | VOE 11007385 | 1 | | | | | Anchorage..... | Fixation | Halterung..... | Fijacion..... | Fäste..... | |
| 3 | VOE 969436 | 3 | | | | | Screw..... | Vis..... | Schraube..... | Tornillo | Skruv..... | |
| 4 | VOE 946440 | 2 | | | | | Flange screw..... | Vis à bride | Flanschschraube..... | Torn embridado..... | Flänsskruv..... | |
| 5 | VOE 11007861 | 1 | | | | | Arm | Bras..... | Arm..... | Brazo..... | Arm..... | |
| 6 | VOE 13960141 | 3 | | | | | Washer..... | Rondelle..... | Scheibe | Arandela..... | Bricka..... | |
| 7 | VOE 946036 | 1 | | | | | Lock nut | Contre-ecrou | Sicherungsmutter | Contratuerca | Låsmutter..... | |
| 8 | VOE 11006824 | 1 | | | | | Protective cap | Capuchon de protecti..... | Schutzkappe | Cubierta de protecció..... | Skyddshatt..... | |
| 9 | VOE 11104730 | 1 | | | | | Thumb Wheel..... | Bouton..... | Handrad | Volante | Ratt..... | |
| 10 | VOE 971304 | 1 | | | | | Screw..... | Vis..... | Schraube..... | Tornillo | Skruv..... | |
| 11 | VOE 11007958 | 1 | | | | | Base..... | Pied..... | Fuss | Base | Fot..... | |
| 12 | VOE 11006059 | 1 | | | | | Washer..... | Rondelle..... | Scheibe | Arandela..... | Bricka..... | |
| 13 | | 1 | | | | | Arm rest | Accoudoir | Armlehne..... | Reposabrazos | Armstöd..... | See group 882, Page 765 |
| 14 | VOE 11007864 | 1 | | | | | Cover | Couvercle..... | Deckel | Tapa | Lock..... | |
| 15 | VOE 11104695 | 1 | | | | | Lock Lever | Levier Blocage | Sperrriegel..... | Palanca Bloqueo | Låshävarm..... | |

| | | | | |
|---|-------|------------------------------------|----------------|---------|
| 1 | 80929 | CDC - styrning, plåtdetaljer. | Catalogue id | Group |
| 2 | | CDC - dirección, piezas de chapa. | 20007 | 882 |
| 3 | | CDC - Lenkung, Blechdetails. | Illustr. No | Section |
| 4 | | CDC - direction, détails de tôle. | 1014448 | 500 |
| 5 | | CDC - steering, sheet metal parts. | Issue | Page |
| | 80929 | | VOE 63D9920007 | 763 |

VOLVO

L90E



Volvo Construction
 Equipment Group
EC 366

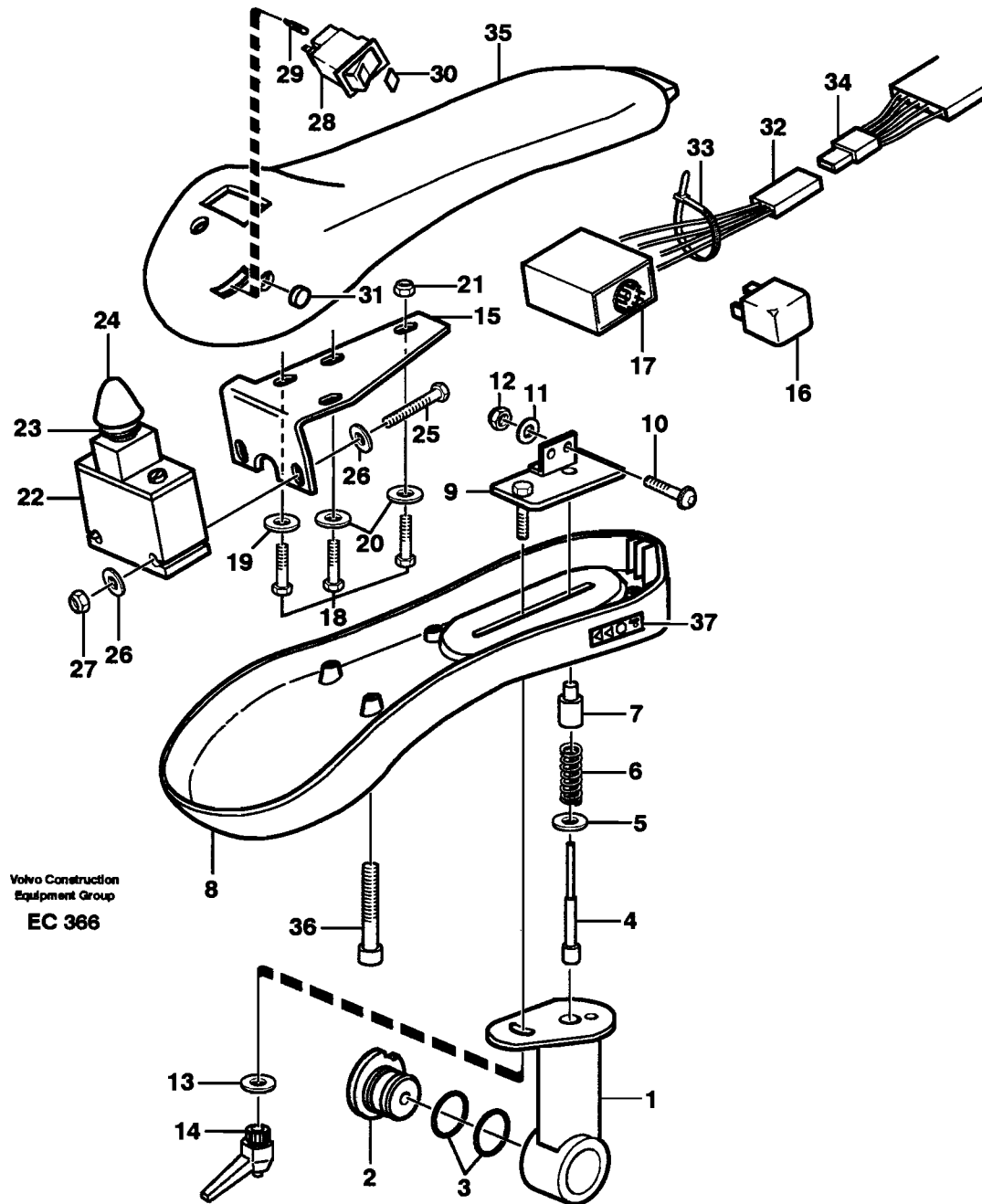


| Fig. | Part No. | Quantity | | | P S | K I T | Description | Dénomination | Bezeichnung | Denominación | Benämning | Notes |
|------|--------------|----------|---|---|--------|-------------|-----------------------|--------------------------|-------------------------|-----------------------|-----------------------|-------|
| | | 1 | 2 | 3 | | | | | | | | |
| | VOE 11104747 | 1 | | | | | Arm Rest..... | Accoudoir..... | Armlehne..... | Reposabrazos..... | Armstöd..... | |
| 1 | VOE 11007932 | 1 | | | | | •Handle..... | •Poignee..... | •Griff..... | •Mango..... | •Handtag..... | |
| 2 | VOE 11007862 | 1 | | | | | •Shaft..... | •Arbre..... | •Welle..... | •Arbol..... | •Axel..... | |
| 3 | VOE 13960171 | 2 | | | | | •O-ring..... | •Joint Torique..... | •O-Ring..... | •Junta torica..... | •O-ring..... | |
| 4 | VOE 11007871 | 1 | | | | | •Pin..... | •Goupille..... | •Stift..... | •Pasador..... | •Pinne..... | |
| 5 | VOE 955892 | 1 | | | | | •Washer..... | •Rondelle..... | •Scheibe..... | •Arandela..... | •Bricka..... | |
| 6 | VOE 659603 | 1 | | | | | •Spring..... | •Ressort..... | •Feder..... | •Muelle..... | •Fjäder..... | |
| 7 | VOE 11004157 | 1 | | | | | •Sleeve..... | •Douille..... | •Hülse..... | •Manguito..... | •Hylsa..... | |
| 8 | VOE 11104146 | 1 | | | | | •Cover..... | •Capot..... | •Haube..... | •Cubierta..... | •Kápa..... | |
| 9 | VOE 11007860 | 1 | | | | | •Bridge..... | •Pont..... | •Brücke..... | •Puente..... | •Brygga..... | |
| 10 | VOE 972400 | 1 | | | | | •Screw..... | •Vis..... | •Schraube..... | •Tornillo..... | •Skruv..... | |
| 11 | VOE 955891 | 1 | | | | | •Washer..... | •Rondelle..... | •Scheibe..... | •Arandela..... | •Bricka..... | |
| 12 | VOE 13963103 | 1 | | | | | •Lock nut..... | •Contre-ecrou..... | •Sicherungsmutter..... | •Contratuerca..... | •Låsmutter..... | |
| 13 | VOE 13960141 | 1 | | | | | •Washer..... | •Rondelle..... | •Scheibe..... | •Arandela..... | •Bricka..... | |
| 14 | VOE 11104695 | 1 | | | | | •Lock Lever..... | •Levier Blocage..... | •Sperrriegel..... | •Palanca Bloqueo..... | •Låshävarm..... | |
| 15 | | 1 | | | NS | | •Plate..... | •Plaque..... | •Platte..... | •Placa..... | •Platta..... | |
| 16 | VOE 20374662 | 1 | | | | | •Relay..... | •Relais..... | •Relais..... | •Rele..... | •Relä..... | RE602 |
| 17 | VOE 11039560 | 1 | | | | | •Electronic unit..... | •Unité électronique..... | •Elektronikeinheit..... | •Unidad electrón..... | •Elektronikenhet..... | |
| 18 | VOE 971304 | 4 | | | | | •Screw..... | •Vis..... | •Schraube..... | •Tornillo..... | •Skruv..... | |
| 19 | VOE 967599 | 2 | | | | | •Toothed Washer..... | •Rondelle Dentee..... | •Zahnscheibe..... | •Arandela Dentad..... | •Tandbricka..... | |
| 20 | VOE 13960138 | 3 | | | | | •Washer..... | •Rondelle..... | •Scheibe..... | •Arandela..... | •Bricka..... | |
| 21 | VOE 13963104 | 1 | | | | | •Lock nut..... | •Contre-ecrou..... | •Sicherungsmutter..... | •Contratuerca..... | •Låsmutter..... | |
| 22 | VOE 11007955 | 1 | | | | | •Control Lever..... | •Levier Commande..... | •Bedienungshebel..... | •Palanca Mando..... | •Manöverspak..... | SE603 |
| 23 | VOE 11997604 | 1 | | | | | ••Rubber Bellows..... | ••Soufflet Caout..... | ••Gummibalg..... | ••Fuelle Goma..... | ••Gummibälg..... | |
| 24 | VOE 11007966 | 1 | | | | | •Knob..... | •Bouton..... | •Knauf..... | •Boton..... | •Knopp..... | |
| 25 | VOE 969440 | 2 | | | | | •6-pt skt screw..... | •Vis creuse de 6..... | •Hohlschraube..... | •Racor 6-dientes..... | •Sextandhålskruv..... | |
| 26 | VOE 13960138 | 4 | | | | | •Washer..... | •Rondelle..... | •Scheibe..... | •Arandela..... | •Bricka..... | |
| 27 | VOE 13963104 | 2 | | | | | •Lock nut..... | •Contre-ecrou..... | •Sicherungsmutter..... | •Contratuerca..... | •Låsmutter..... | |
| 28 | VOE 11039439 | 1 | | | | | •Switch..... | •Commutateur..... | •Schalter..... | •Contactor..... | •Strömställare..... | |
| 29 | VOE 11997242 | 1 | | | | | ••Bulb..... | ••Ampoule..... | ••Glühlampe..... | ••Ampolla..... | ••Glödlampa..... | |

| | | | | |
|---|--|--|-----------------------|------------|
| 1 | | Armstöd. Reposabrazos. Armlehne. Accoudoir. Arm rest. 80929 | Catalogue id | Group |
| 2 | | | 20007 | 882 |
| 3 | | | Illustr. No | Section |
| 4 | | | EC366 | 550 |
| 5 | | | Issue | Page |
| | | | VOE 63D9920007 | 765 |

VOLVO

L90E



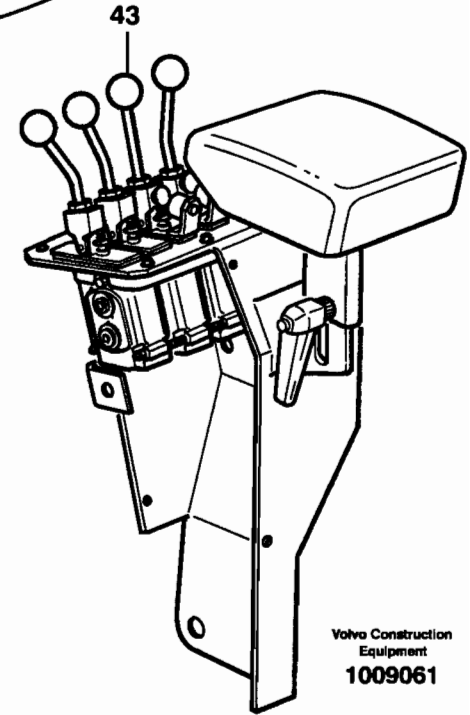
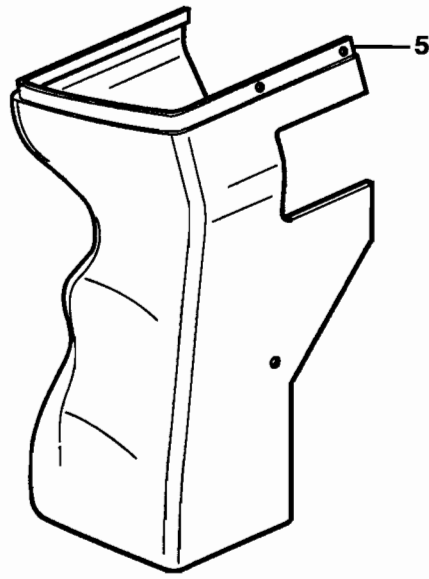
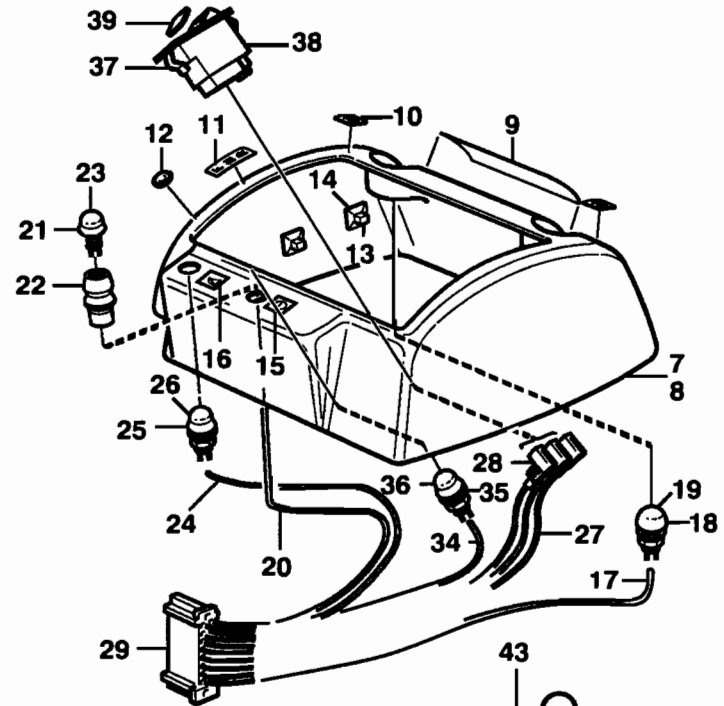
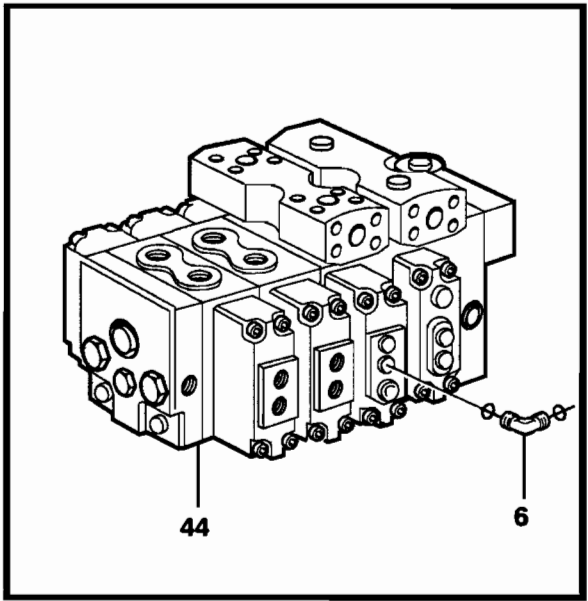
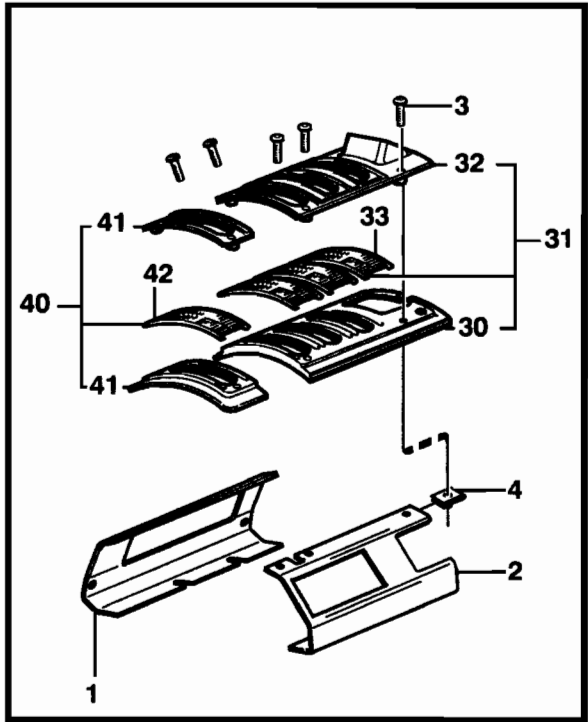
Volvo Construction
 Equipment Group
 EC 366

| Fig. | Part No. | Quantity | | | P S | K I T | Description | Dénomination | Bezeichnung | Denominación | Benämning | Notes |
|------|--------------|----------|---|---|--------|-------------|-----------------------|------------------------|----------------------|-----------------------|----------------------|-------|
| | | 1 | 2 | 3 | | | | | | | | |
| 30 | VOE 4803548 | 1 | | | | | •Lens | •Lentille | •Linse | •Lente | •Lins | |
| 31 | VOE 11003679 | 2 | | | | | •Knob | •Bouton | •Knopf | •Boton | •Knapp | |
| 32 | | 1 | | | | | •Wire harness | •Faisceau cables | •Kabelbaum | •Manojo cables | •Ledningsmatta | |
| 33 | VOE 4821292 | 1 | | | | | •Strip Clamp | •Ruban Serrage | •Kabelbinder | •Abraz Cinta | •Bandklamma | |
| 34 | | 1 | | | | | •Wire harness | •Faisceau cables | •Kabelbaum | •Manojo cables | •Ledningsmatta | |
| 35 | VOE 11006076 | 1 | | | | | •Cover | •Capot | •Haube | •Cubierta | •Kåpa | |
| 36 | VOE 13959212 | 1 | | | | | •Allen Hd Screw | •Vis A 6 Pans Cr | •Inbusschraube | •Torn Hex Embut | •Insexskruv | |
| | VOE 959213 | 3 | | | | | •Allen Hd Screw | •Vis A 6 Pans Cr | •Inbusschraube | •Torn Hex Embut | •Insexskruv | |
| 37 | VOE 11104133 | 1 | | | | | •Decal | •Decalcomanie | •Abziehbild | •Decalcomania | •Dekal | |

| | | | | |
|---|--|---|-----------------------|------------|
| 1 | | Armstöd. Reposabrazos. Arملهنه. Accoudoir. Arm rest. 80929 | Catalogue id | Group |
| 2 | | | 20007 | 882 |
| 3 | | | Illustr. No | Section |
| 4 | | | EC366 | 550 |
| 5 | | | Issue | Page |
| | | | VOE 63D9920007 | 767 |

VOLVO

L90E



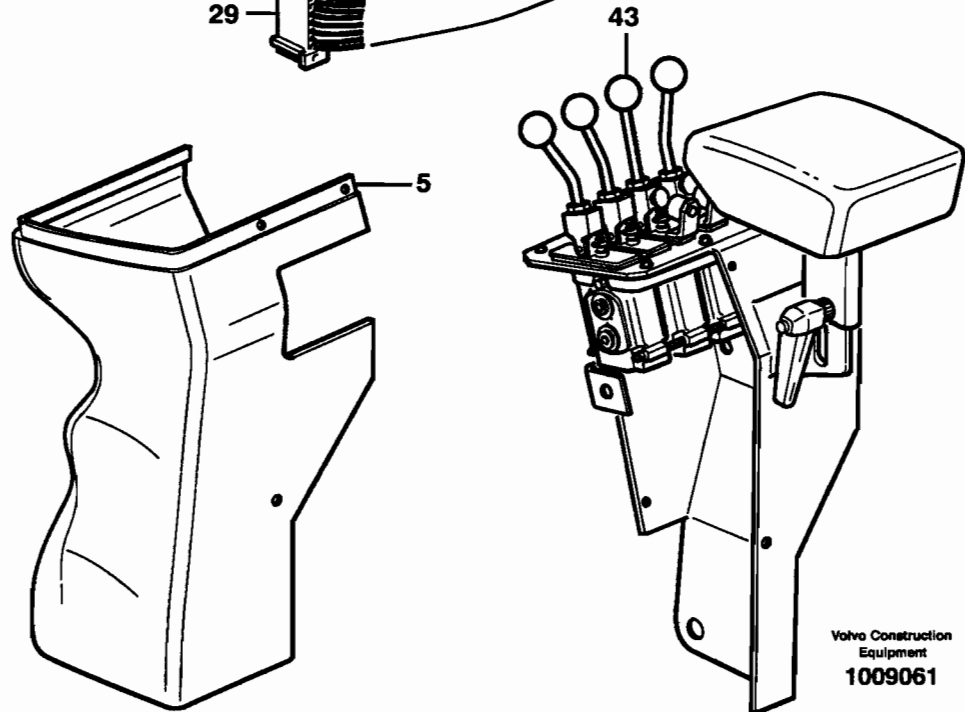
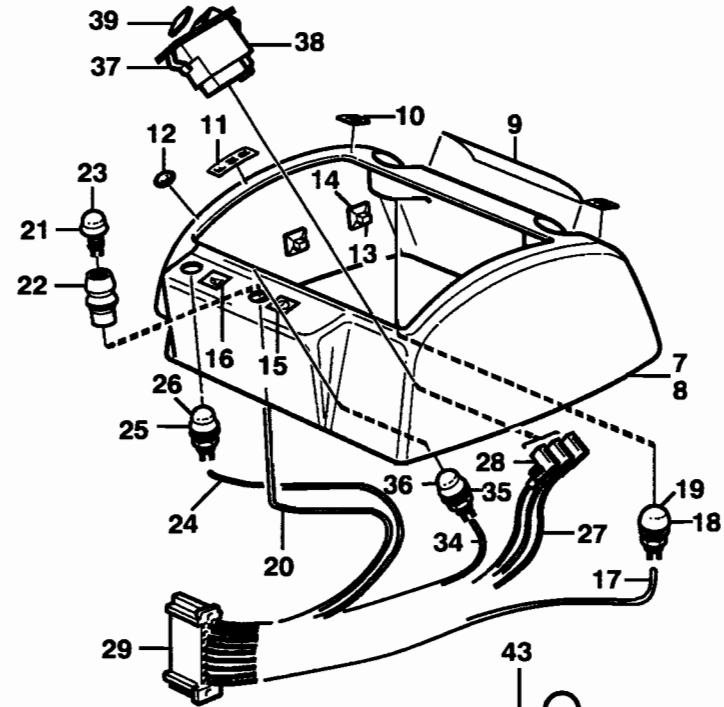
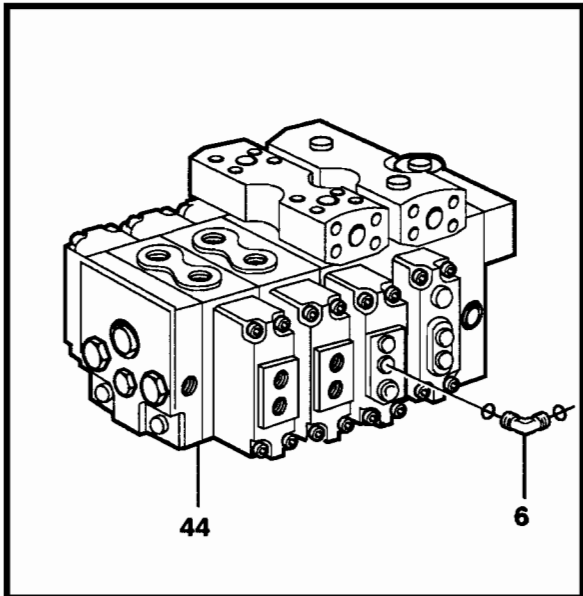
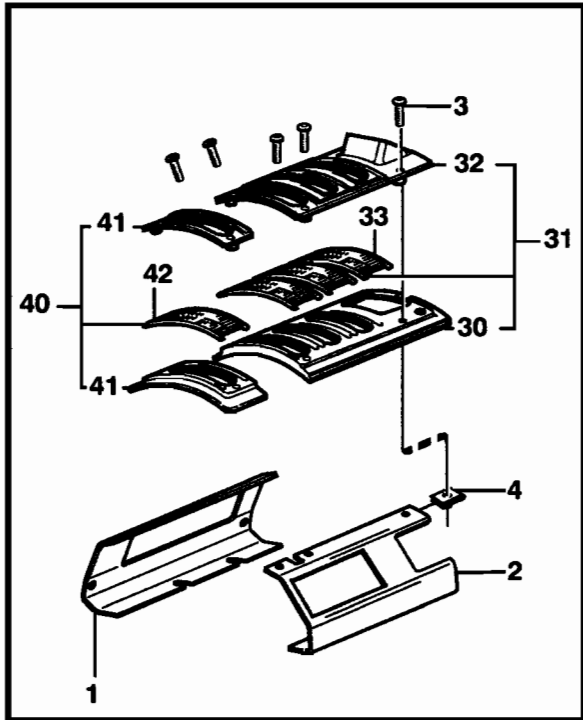
Volvo Construction
Equipment
1009061

| Fig. | Part No. | Quantity | | | P S | K I T | Description | Dénomination | Bezeichnung | Denominación | Benämning | Notes |
|------|--------------|----------|---|---|--------|------------------------|---------------------------|---------------------------|-----------------------------|----------------------|-----------|-------|
| | | 1 | 2 | 3 | | | | | | | | |
| 1 | VOE 11175063 | 1 | | | | Attaching Bracket..... | Equerre Fixation..... | Befestigungswinkel | Fijacion Angular | Fästvinkel..... | | |
| 2 | VOE 11104888 | 2 | | | | Attaching Bracket..... | Equerre Fixation..... | Befestigungswinkel | Fijacion Angular | Fästvinkel..... | | |
| 3 | VOE 13975980 | 6 | | | | Screw..... | Vis..... | Schraube..... | Tornillo | Skruv..... | | |
| 4 | VOE 949921 | 6 | | | | Spring Nut..... | Ecrou Ressort | Fed. Schliessmutter | Tuerca Resorte | Fjädermutter..... | | |
| 5 | VOE 11104987 | 1 | | | | Casing..... | Boîtier..... | Gehäuse..... | Cubierta..... | Kåpa..... | | |
| 6 | VOE 13945357 | 2 | | | | Clutch..... | Embrayage..... | Kupplung | Embrague..... | Koppling..... | | |
| 7 | | 1 | | | NS | Cover..... | Capot | Haube..... | Cubierta..... | Kåpa..... | | |
| 8 | VOE 11164527 | 1 | | | | •Cover..... | •Capot | •Haube | •Cubierta | •Kåpa..... | | |
| 9 | VOE 11104731 | 1 | | | | ••Decal | ••Decalcomanie..... | ••Abziehbild | ••Decalcomania | ••Dekal..... | | |
| 10 | VOE 11104712 | 1 | | | | ••Decal | ••Decalcomanie..... | ••Abziehbild | ••Decalcomania | ••Dekal..... | | |
| 11 | VOE 11104711 | 1 | | | | ••Decal | ••Decalcomanie..... | ••Abziehbild | ••Decalcomania | ••Dekal..... | | |
| 12 | VOE 11705579 | 1 | | | | ••Decal | ••Decalcomanie..... | ••Abziehbild | ••Decalcomania | ••Dekal..... | | |
| 13 | VOE 11007051 | 8 | | | | ••Retainer..... | ••Retenue..... | ••Halter | ••Soporte | ••Hållare..... | | |
| 14 | VOE 13965593 | 8 | | | | ••Blind Rivet | ••Rivet Borgne..... | ••Blindniet..... | ••Remache Ciego..... | ••Blindnit..... | | |
| 15 | VOE 11006296 | 1 | | | | ••Decal | ••Decalcomanie..... | ••Abziehbild | ••Decalcomania | ••Dekal..... | | |
| 16 | VOE 11006297 | 1 | | | | ••Decal | ••Decalcomanie..... | ••Abziehbild | ••Decalcomania | ••Dekal..... | | |
| 17 | VOE 11170674 | 1 | | | | •Cable harness | •Faisceau cables..... | •Kabelbaum..... | •Manejo cables..... | •Ledningsmatta..... | | |
| 18 | VOE 11039681 | 1 | | | | ••Switch..... | ••Commutateur..... | ••Schalter | ••Contactor | ••Strömställare..... | | |
| 19 | VOE 11170040 | 1 | | | | ••Protective cap..... | ••Capuchon de protec..... | ••Schutzkappe..... | ••Cubierta de protecci..... | ••Skyddshatt..... | | |
| 20 | VOE 11170676 | 1 | | | | •Cable harness | •Faisceau cables..... | •Kabelbaum..... | •Manejo cables..... | •Ledningsmatta..... | | |
| 21 | VOE 11039681 | 1 | | | | ••Switch..... | ••Commutateur..... | ••Schalter | ••Contactor | ••Strömställare..... | | |
| 22 | VOE 11104727 | 1 | | | | ••Anchorage | ••Fixation..... | ••Halterung | ••Fijacion | ••Fäste..... | | |
| 23 | VOE 11170040 | 1 | | | | ••Protective cap..... | ••Capuchon de protec..... | ••Schutzkappe..... | ••Cubierta de protecci..... | ••Skyddshatt..... | | |
| 24 | VOE 11170678 | 1 | | | | •Cable harness | •Faisceau cables..... | •Kabelbaum..... | •Manejo cables..... | •Ledningsmatta..... | | |
| 25 | VOE 11039681 | 1 | | | | ••Switch..... | ••Commutateur..... | ••Schalter | ••Contactor | ••Strömställare..... | | |
| 26 | VOE 11170040 | 1 | | | | ••Protective cap..... | ••Capuchon de protec..... | ••Schutzkappe..... | ••Cubierta de protecci..... | ••Skyddshatt..... | | |
| 27 | VOE 11041399 | 1 | | | | •Cable harness | •Faisceau cables..... | •Kabelbaum..... | •Manejo cables..... | •Ledningsmatta..... | | |
| 28 | VOE 13944221 | 3 | | | | ••Housing | ••Isolant..... | ••Isolator..... | ••Aislador..... | ••Isolator..... | | |
| 29 | VOE 1096615 | 1 | | | | ••Insulator..... | ••Isolateur..... | ••Isolator..... | ••Aislador..... | ••Isolator..... | | |
| 30 | | 1 | | | NS | Plate..... | Plaque..... | Platte | Placa | Platta..... | | |

| | | | | |
|---|--|---|-----------------------|------------|
| 1 | | Kåpa för servoventil Cubierta para servoválvula Haube für Servoventil Capot pour servovalve Cover for servo valves 80930 | Catalogue id | Group |
| 2 | | | 20007 | 882 |
| 3 | | | Illustr. No | Section |
| 4 | | | 1009061 | 600 |
| 5 | | | Issue | Page |
| | | | VOE 63D9920007 | 769 |

VOLVO

L90E



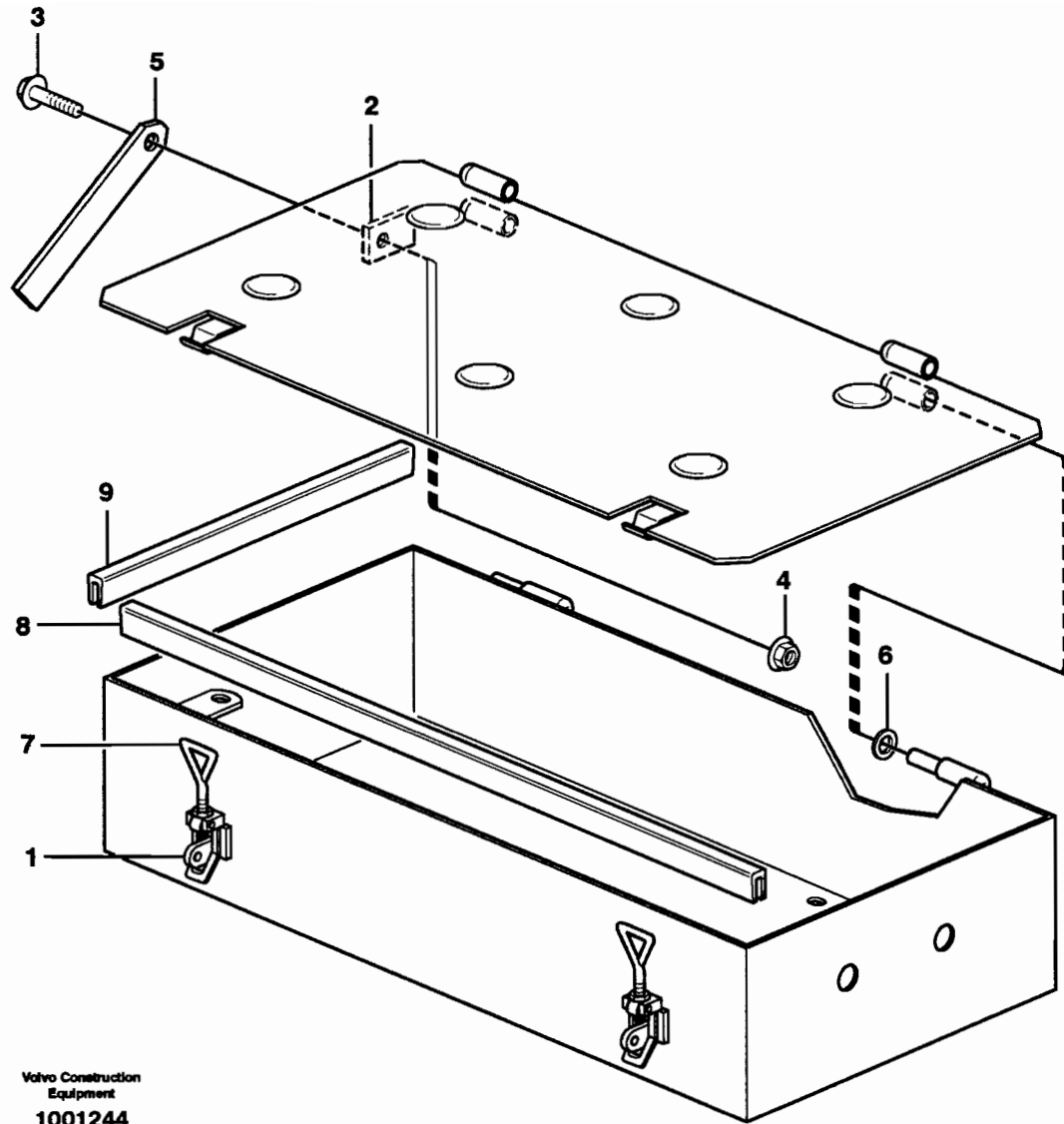
Volvo Construction
Equipment
1009061

| Fig. | Part No. | Quantity | | | P S | K I T | Description | Dénomination | Bezeichnung | Denominación | Benämning | Notes |
|------|--------------|----------|---|---|--------|-----------------------|---------------------------|--------------------|-----------------------------|----------------------|-------------------------|-------|
| | | 1 | 2 | 3 | | | | | | | | |
| 31 | VOE 11104981 | 1 | | | | •Plate | •Plaque..... | •Platte..... | •Placa | •Platta..... | | |
| 32 | VOE 11007489 | 1 | | | | ••Plate | ••Plaque | ••Platte | ••Placa..... | ••Platta..... | | |
| 33 | VOE 11007308 | 6 | | | | •••Brush..... | •••Balai | •••Bürste | •••Escobilla | •••Bors te..... | | |
| 34 | VOE 11170677 | 1 | | | | •Cable harness | •Faisceau cables..... | •Kabelbaum..... | •Manojo cables..... | •Ledningsmatta..... | | |
| 35 | VOE 11039681 | 1 | | | | ••Switch..... | ••Commutateur..... | ••Schalter | ••Contactor | ••Strömställare..... | | |
| 36 | VOE 11170040 | 1 | | | | ••Protective cap..... | ••Capuchon de protec..... | ••Schutzkappe..... | ••Cubierta de protecci..... | ••Skyddshatt..... | | |
| 37 | VOE 11039439 | 1 | | | | •Switch | •Commutateur | •Schalter | •Contactor | •Strömställare..... | | |
| 38 | VOE 11997242 | 1 | | | | ••Bulb | ••Ampoule | ••Glühlampe | ••Ampolla..... | ••Glödlampa..... | | |
| 39 | VOE 4803548 | 1 | | | | •Lens | •Lentille | •Linse | •Lente | •Lins..... | | |
| 40 | VOE 11104982 | 1 | | | | Plate..... | Plaque..... | Platte..... | Placa | Platta..... | | |
| 41 | VOE 11007489 | 1 | | | | •Plate | •Plaque..... | •Platte..... | •Placa | •Platta..... | | |
| 42 | VOE 11007308 | 2 | | | | ••Brush..... | ••Balai..... | ••Bürste | ••Escobilla | ••Bors te..... | | |
| 43 | | | | | | Servo Valve..... | Servovalve | Servoventil | Valvula Servo | Servoventil..... | See group 914, Page 839 | |
| 44 | | | | | | Control Valve | Valve Commande | Steuerventil | Valvula Mando | Manöverventil..... | See group 912, Page 819 | |

| | | | |
|---|---|-----------------------|------------|
| 1 | Kåpa för servoventil Cubierta para servoválvula Haube für Servoventil Capot pour servovalve Cover for servo valves 80930 | Catalogue id | Group |
| 2 | | 20007 | 882 |
| 3 | | Illustr. No | Section |
| 4 | | 1009061 | 600 |
| 5 | | Issue | Page |
| | | VOE 63D9920007 | 771 |

VOLVO

L90E



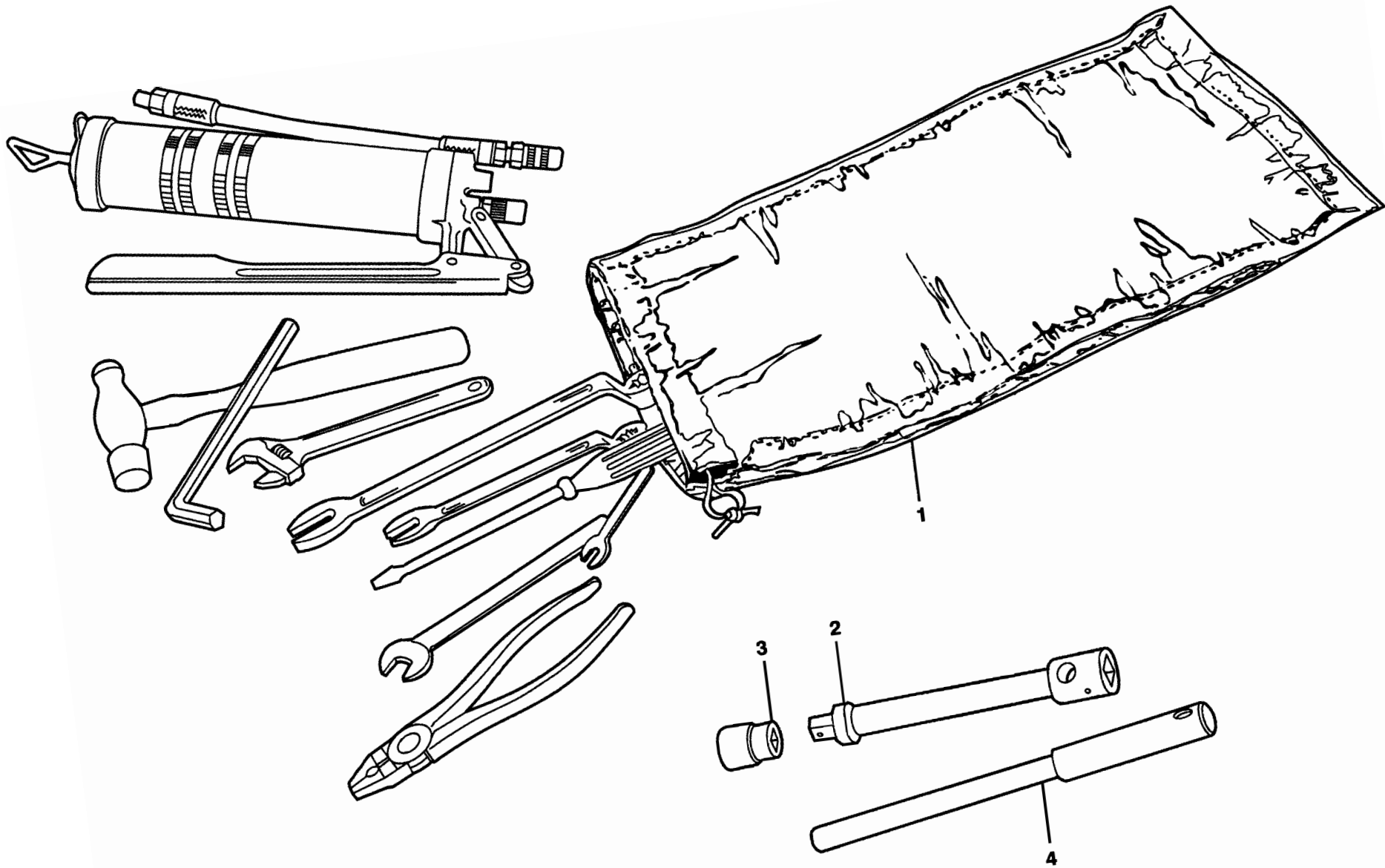
Volvo Construction
Equipment
1001244

| Fig. | Part No. | Quantity | | | P S | K I T | Description | Dénomination | Bezeichnung | Denominación | Benämning | Notes |
|------|--------------|----------|---|---|--------|-------------|------------------------|---------------------------|-----------------------|-------------------------|----------------------|-------------|
| | | 1 | 2 | 3 | | | | | | | | |
| | VOE 11413764 | 1 | | | | | Tool Box..... | Boîte a outils | Werkzeugkasten | Caja herramientas | Verktygslåda..... | |
| 1 | VOE 11015639 | 2 | | | | | ••Eccentric Lock | ••Verrou Excentr..... | ••Exz Sicherung | ••Cerrad Excentr..... | ••Excenterlås..... | |
| 2 | VOE 4739976 | 1 | | | | | ••Anchorage | ••Fixation | ••Halterung | ••Fijacion | ••Fäste..... | |
| 3 | VOE 946671 | 1 | | | | | •Flange screw | •Vis à bride | •Flanschschraube..... | •Torn embridado..... | •Flänsskruv..... | |
| 4 | VOE 948645 | 1 | | | | | •Flange Lock Nut | •Contre écrou bride | •Flanschmutter | •Contratuer Embr | •Flänslåsmutter..... | |
| 5 | VOE 11025661 | 1 | | | | | •Stay | •Tirant..... | •Strebe | •Barra | •Stag..... | |
| 6 | VOE 4936343 | 4 | | | | | •Washer | •Rondelle..... | •Scheibe | •Arandela..... | •Bricka..... | |
| 7 | VOE 11015638 | 2 | | | | | •Eye Bolt | •Boulon Oeillet | •Ringschraube..... | •Perno De Aro | •Öglebult..... | |
| 8 | VOE 4786044 | REQ | | | | | •Sealing strip | •Lisse etancheite..... | •Dichtleiste | •Moldura reten..... | •Tätningslist..... | L = 1254 MM |
| 9 | VOE 4786044 | REQ | | | | | •Sealing strip | •Lisse etancheite..... | •Dichtleiste | •Moldura reten..... | •Tätningslist..... | L = 370 MM |

| | | | | |
|---|--|---|-----------------------|------------|
| 1 | | Verktygslåda Caja herramientas Werkzeugkasten Caisse á outils Tool box 80800 | Catalogue id | Group |
| 2 | | | 20007 | 896 |
| 3 | | | Illustr. No | Section |
| 4 | | | 1001244 | 100 |
| 5 | | | Issue | Page |
| | | | VOE 63D9920007 | 773 |

VOLVO

L90E



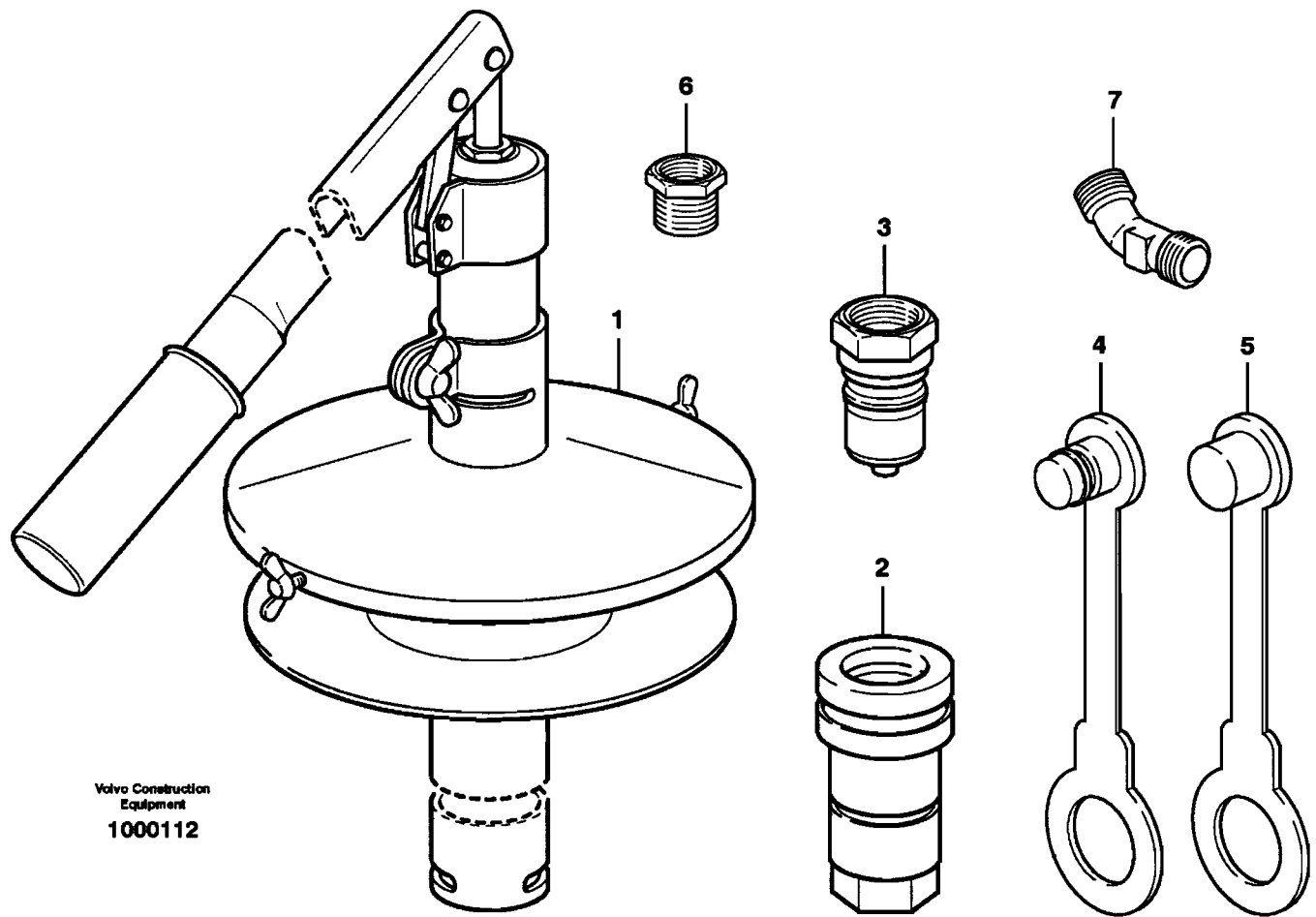
Volvo Construction
Equipment Group
EE 280

| Fig. | Part No. | Quantity | | | P S | K T | Description | Dénomination | Bezeichnung | Denominación | Benämning | Notes |
|------|--------------|----------|---|---|--------|-----------------------|------------------------------------|----------------------|----------------------|----------------------|-----------|-------|
| | | 1 | 2 | 3 | | | | | | | | |
| 1 | VOE 736392 | 1 | | | | Bag..... | Sac..... | Beutel..... | Bolsa..... | Påse..... | | |
| | VOE 13962033 | 1 | | | | Pliers..... | Pince..... | Zange..... | Alicates..... | Tång..... | | |
| | VOE 13962213 | 1 | | | | Ball Peen Hammer..... | Marteau A Panne RonBallhammer..... | Martillo Bola..... | Kulhammare..... | | | |
| | VOE 11026287 | 1 | | | | Comb Scr Driver..... | Tournevis Comb..... | Kombischr Zieh..... | Destornil, Comb..... | Kombskruvmejsel..... | | |
| | VOE 6611274 | 1 | | | | Key..... | Cle..... | Schlüssel..... | Llave..... | Nyckel..... | N 10 | |
| | VOE 11180050 | 1 | | | | Adj Wrench..... | Cle De Reglage..... | Stellschl~ssel..... | Llave Ajuste..... | Justernyckel..... | 1 5/16 | |
| | VOE 11180049 | 1 | | | | Adj Wrench..... | Cle De Reglage..... | Stellschl~ssel..... | Llave Ajuste..... | Justernyckel..... | 3/4 | |
| | VOE 13962075 | 1 | | | | Key..... | Cle..... | Schlüssel..... | Llave..... | Nyckel..... | 41 | |
| | VOE 914003 | 1 | | | | Allen Wrench..... | Cle Allen..... | 6-kantschlüssel..... | Llave Allen..... | Sexkantnyckel..... | 6 | |
| | VOE 190708 | 1 | | | | Square Spanner..... | Cle Carre..... | Vierkantschl..... | Llave Cuadrada..... | Fyrkantnyckel..... | | |
| | VOE 6633616 | 1 | | | | Nipple..... | Raccord..... | Nippel..... | Niple..... | Nippel..... | | |
| | VOE 753546 | 1 | | | | Grease Gun..... | Pompe a graisse..... | Fettpresse..... | Bomba de grasa..... | Fettspruta..... | | |
| | VOE 926138 | 1 | | | | Hose assembly..... | Conduit flexible..... | Schlauchleitung..... | Conducto..... | Slangledning..... | | |
| | VOE 795074 | 1 | | | | Clutch..... | Embrayage..... | Kupplung..... | Embrague..... | Koppling..... | | |
| | VOE 13970959 | 3 | | | | Hexagon screw..... | Vis a tête hexagonale | Sechskantschr..... | Tornillo hexago..... | Sexkantsskruv..... | M10 X 90 | |
| | VOE 13947281 | 3 | | | | Gasket..... | Joint..... | Dichtung..... | Junta..... | Packning..... | | |
| | VOE 4940506 | 2 | | | | Blind Nut..... | Ecrou Borgne..... | Blindmutter..... | Tuerca Ciega..... | Blindmutter..... | | |
| 2 | VOE 13962298 | | 1 | | | Extension..... | Allonge..... | Verlängerer..... | Prolongador..... | Förlängare..... | 90007 | |
| 3 | VOE 962305 | | 1 | | | Socket wrench..... | Cle douille..... | Steckschlüssel..... | Llave manguito..... | Hylsnyckel..... | 90007 | |
| 4 | VOE 4854513 | | 1 | | | Handle..... | Poignee..... | Griff..... | Mango..... | Handtag..... | 90007 | |

| | | | | |
|---|-------|---|-----------------------|------------|
| 1 | 99183 | Verktyg Herramientas Werkzeuge Outillage Tools | Catalogue id | Group |
| 2 | 90007 | | 20007 | 896 |
| 3 | | | Illustr. No | Section |
| 4 | | | EE280 | 150 |
| 5 | | | Issue | Page |
| | | 90007, 99183 | VOE 63D9920007 | 775 |

VOLVO

L90E



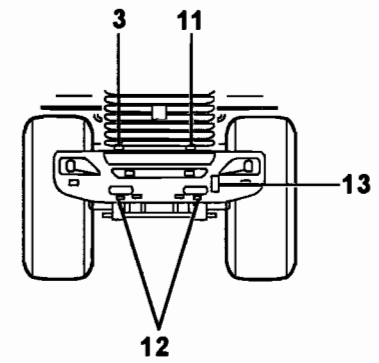
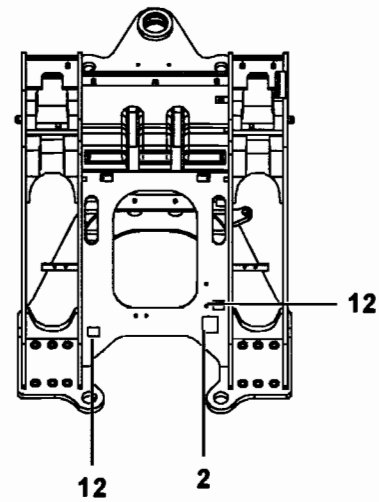
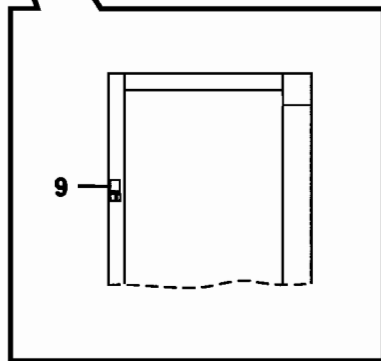
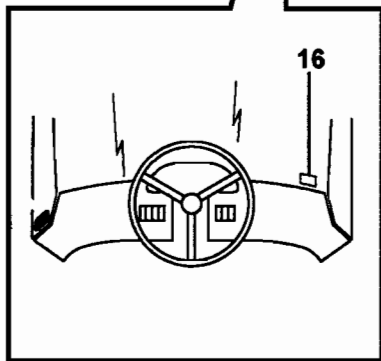
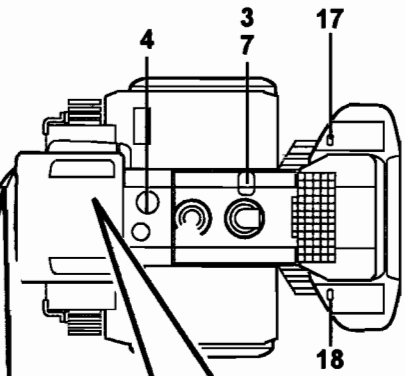
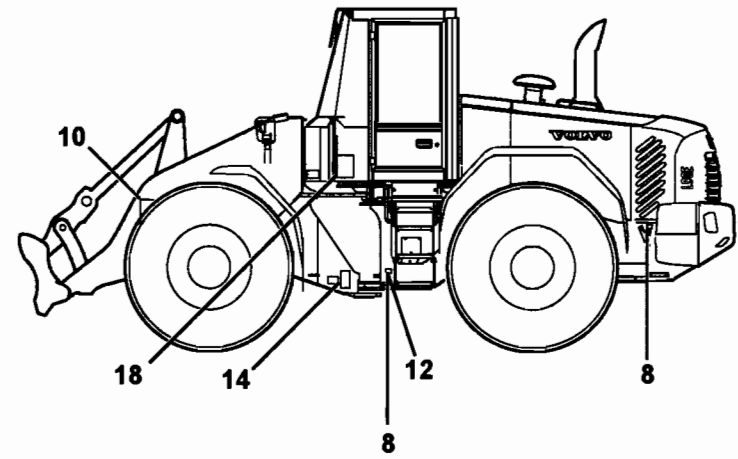
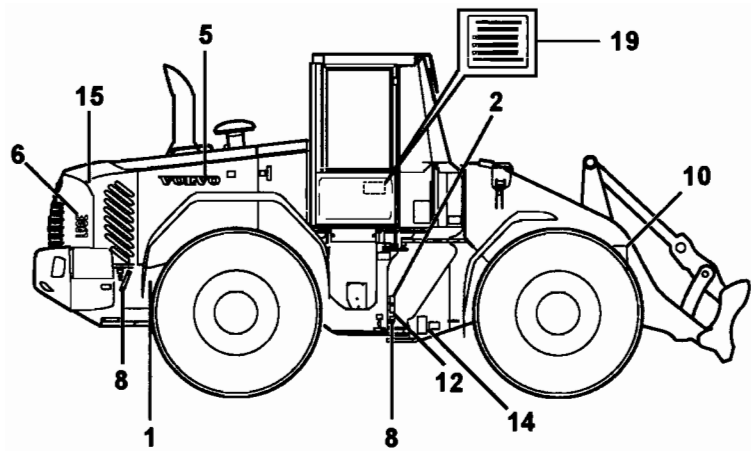
Volvo Construction
Equipment
1000112

| Fig. | Part No. | Quantity | | | P S | K T | Description | Dénomination | Bezeichnung | Denominación | Benämning | Notes |
|------|--------------|----------|---|---|--------|--------|----------------------|-------------------------|-----------------------|----------------------|---------------------|-------|
| | | 1 | 2 | 3 | | | | | | | | |
| | VOE 11704511 | 1 | | | | | Pump..... | Pompe..... | Pumpe..... | Bomba..... | Pump..... | |
| 1 | VOE 11016075 | 1 | | | | | •Pump..... | •Pompe..... | •Pumpe..... | •Bomba..... | •Pump..... | |
| 2 | VOE 11016067 | 1 | | | | | •Quick Coupling..... | •Accouple.rapide..... | •Schnellkupplung..... | •Acoplam Rapido..... | •Snabbkoppling..... | |
| 3 | VOE 11016068 | 1 | | | | | •Quick Coupling..... | •Accouple.rapide..... | •Schnellkupplung..... | •Acoplam Rapido..... | •Snabbkoppling..... | |
| 4 | VOE 11016069 | 1 | | | | | •Dust Cover..... | •Pare-poussiere..... | •Staubschutz..... | •Prot Polvo..... | •Dammskydd..... | |
| 5 | VOE 11016070 | 1 | | | | | •Dust Cover..... | •Pare-poussiere..... | •Staubschutz..... | •Prot Polvo..... | •Dammskydd..... | |
| 6 | VOE 11016071 | 1 | | | | | •Adapter..... | •Raccord Reduct..... | •Verbind Stutzen..... | •Adaptador..... | •Adapter..... | |
| 7 | VOE 11016072 | 1 | | | | | •Elbow nipple..... | •Raccord angulaire..... | •Winkelnippel..... | •Niple angular..... | •Vinkelnippel..... | |

| | | | | |
|---|--|-------|----------------|---------|
| 1 | | Pump | Catalogue id | Group |
| 2 | | Bomba | 20007 | 896 |
| 3 | | Pumpe | Illustr. No | Section |
| 4 | | Pompe | 1000112 | 200 |
| 5 | | Pump | Issue | Page |
| | | 93988 | VOE 63D9920007 | 777 |

VOLVO

L90E



Volvo Construction
Equipment
1015879

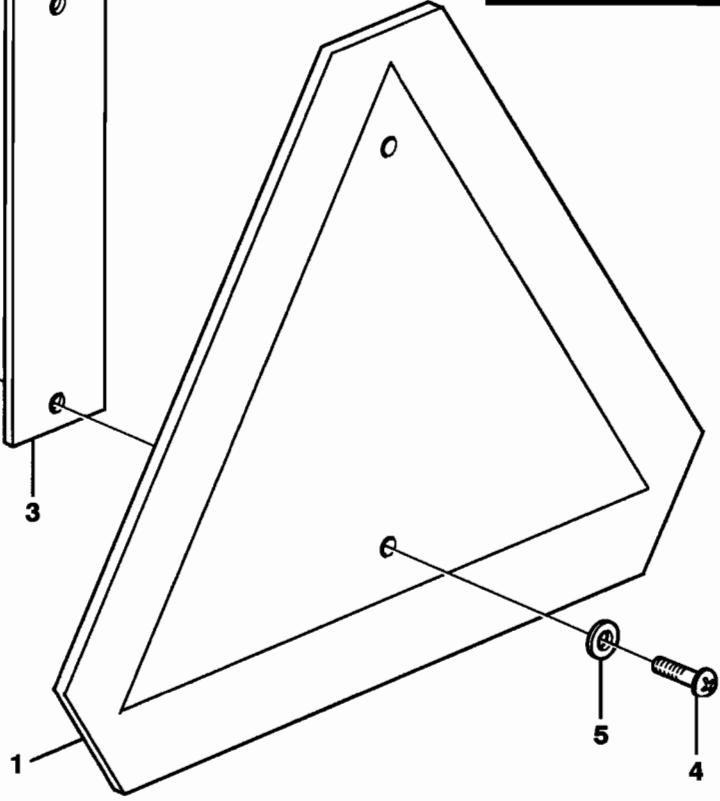
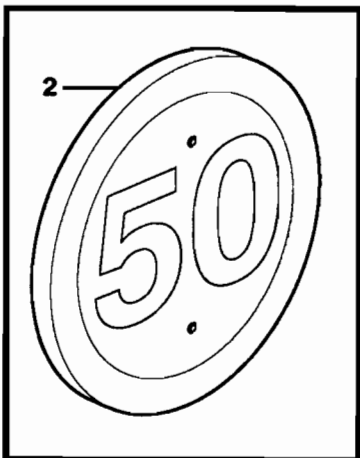
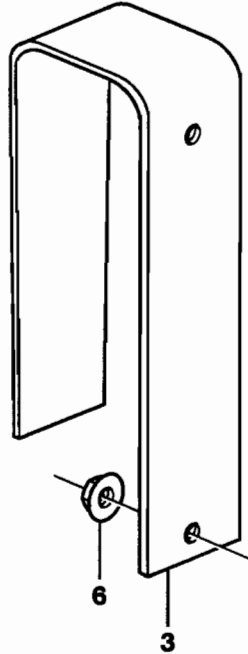
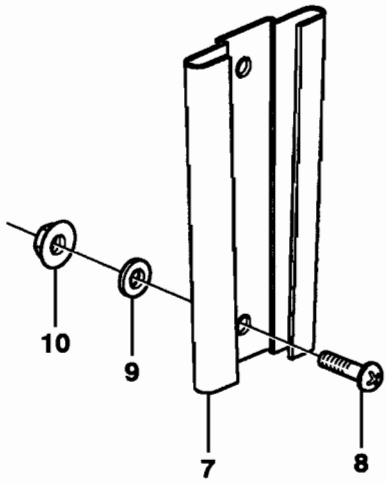
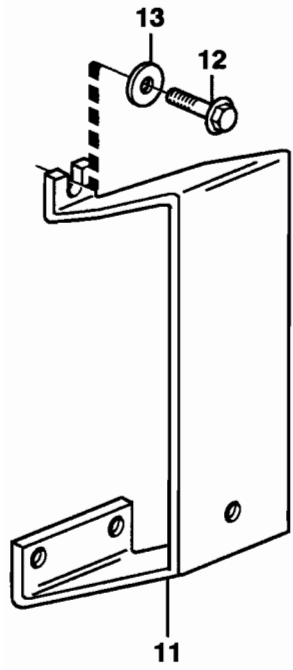
| Fig. | Part No. | Quantity | | | P S | K I T | Description | Dénomination | Bezeichnung | Denominación | Benämning | Notes |
|------|--------------|----------|---|---|--------|---------------------|----------------------|--------------------|----------------------|--------------------|------------------------------|-------|
| | | 1 | 2 | 3 | | | | | | | | |
| 1 | VOE 941671 | 4 | | | | Blind Rivet..... | Rivet Borgne | Blindniet | Remache Ciego | Blindnit..... | | |
| | VOE 11003865 | 1 | | | | Decal..... | Decalcomanie | Abziehbild..... | Decalcomania | Dekal..... | | |
| | | 1 | | | NS | •Decal | •Decalcomanie | •Abziehbild | •Decalcomania | •Dekal..... | DROPBOX | |
| | | 1 | | | NS | •Decal | •Decalcomanie | •Abziehbild | •Decalcomania | •Dekal..... | TRANSMISSION | |
| 2 | VOE 4948092 | 3 | | | SS | •Decal | •Decalcomanie | •Abziehbild | •Decalcomania | •Dekal..... | PRESSURE WARN BRAKE | |
| | VOE 4935704 | 1 | | | SS | •Decal | •Decalcomanie | •Abziehbild | •Decalcomania | •Dekal..... | SPRING BRAKE | |
| | VOE 4932840 | 1 | | | SS | •Decal | •Decalcomanie | •Abziehbild | •Decalcomania | •Dekal..... | TRANSMISSION | |
| 3 | VOE 4932797 | 1 | | | SS | •Decal | •Decalcomanie | •Abziehbild | •Decalcomania | •Dekal..... | COOLING LIQUID | |
| 4 | VOE 4948103 | 1 | | | SS | •Decal | •Decalcomanie | •Abziehbild | •Decalcomania | •Dekal..... | HYDR. SYSTEM | |
| 5 | VOE 11174177 | 2 | | | | Decal..... | Decalcomanie | Abziehbild..... | Decalcomania | Dekal..... | VOLVO | |
| 6 | VOE 11174450 | 2 | | | | Decal..... | Autocollant | Aufkleber | Calcomania | Dekal..... | | |
| 7 | VOE 4952181 | 1 | | | | Decal..... | Decalcomanie | Abziehbild..... | Decalcomania | Dekal..... | KYLVÄTSKA | |
| | VOE 11004094 | 1 | | | | Decal..... | Decalcomanie | Abziehbild..... | Decalcomania | Dekal..... | SB/W | |
| 8 | VOE 4898495 | 4 | | | SS | •Decal | •Decalcomanie | •Abziehbild | •Decalcomania | •Dekal..... | LIFTING HOOK | |
| 9 | VOE 13935007 | 1 | | | | Decal..... | Decalcomanie | Abziehbild..... | Decalcomania | Dekal..... | NÖDUTGÅNG | |
| 10 | VOE 11027566 | 2 | | | | Warning Decal | Decal.avertiss. | Warnaufkleber..... | Calcomania Adv | Varningsdekal..... | GÅ EJ UNDER HÄNGANDE LAST | |
| 11 | VOE 11026729 | 1 | | | | Decal..... | Decalcomanie | Abziehbild..... | Decalcomania | Dekal..... | BATTERIFRÅNSKILJARE | |
| 12 | VOE 11026730 | 6 | | | | Decal..... | Decalcomanie | Abziehbild..... | Decalcomania | Dekal..... | TIE DOWN | |
| 13 | VOE 11400920 | 1 | | | | Warning Plate | Panneau Signal..... | Warnschild | Letrero Advert | Varningsskylt..... | | |
| 14 | VOE 13935000 | 2 | | | | Warning Decal | Decal.avertiss. | Warnaufkleber..... | Calcomania Adv | Varningsdekal..... | RAMLED | |
| 15 | VOE 13935001 | 1 | | | | Warning Decal | Decal.avertiss. | Warnaufkleber..... | Calcomania Adv | Varningsdekal..... | ROTERTANDE FLÄKT | |
| 16 | VOE 13935003 | 1 | | | | Warning Decal | Decal.avertiss. | Warnaufkleber..... | Calcomania Adv | Varningsdekal..... | INSTRUKTIONSBOK | |
| 17 | VOE 13935004 | 2 | | | | Warning Decal | Decal.avertiss. | Warnaufkleber..... | Calcomania Adv | Varningsdekal..... | BATTERI | |
| 18 | VOE 11175379 | 1 | | | | Decal..... | Autocollant | Aufkleber | Calcomania | Dekal..... | | |
| 19 | VOE 11414081 | 1 | | | | Decal..... | Decalcomanie | Abziehbild..... | Decalcomania | Dekal..... | AC | |

1297) GB: See section: Illustration of sign plates and decals. Group 897 FR: Voir à section: Illustration de enseignes et décalcomanies. Groupe 897. DE: Sehen abschnitt: Illustration von Schilder und Aufklebeschild. Gruppe 897. ES: Mirar a sección: Ilustración muestras y calcomanías. Grupo 897 SE: Se avsnitt: Illustration av skyltar och dekaler. Grupp 897

| | | | | |
|---|--|------------------------------------|-----------------------|------------|
| 1 | | Skyltar och dekaler | Catalogue id | Group |
| 2 | | Muestras y decalcomanías | 20007 | 897 |
| 3 | | Schilder und aufklebeschild | Illustr. No | Section |
| 4 | | Enseignes et décalcomanies | 1015879 | 100 |
| 5 | | Sign plates and decals | Issue | Page |
| | | 1297) STD, OPEN ROPS | VOE 63D9920007 | 779 |

VOLVO

L90E



Volvo Construction
Equipment
1001180

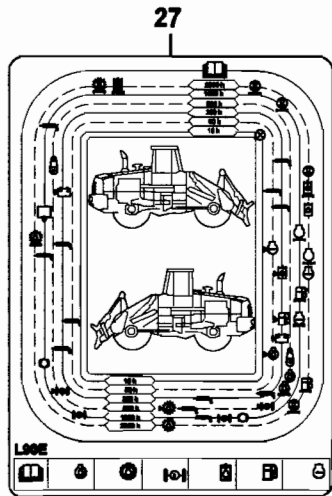
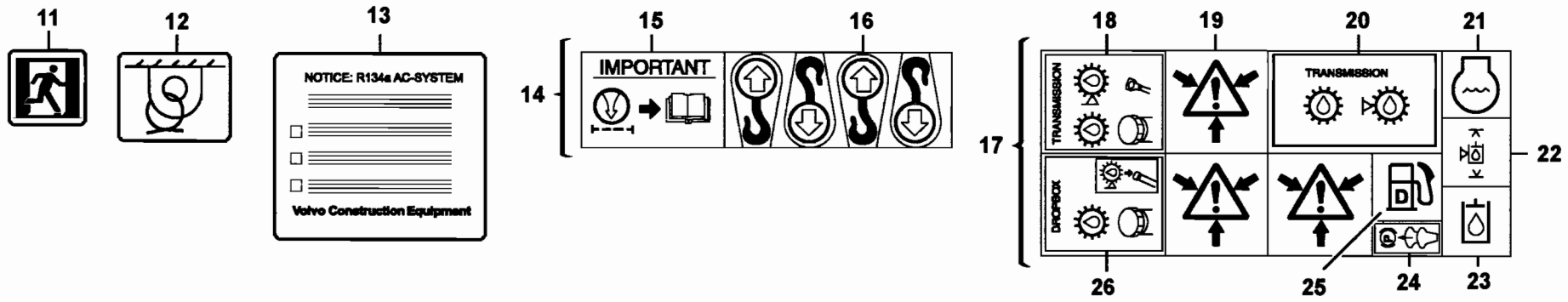


| Fig. | Part No. | Quantity | | | P S | K I T | Description | Dénomination | Bezeichnung | Denominación | Benämning | Notes |
|------|--------------|----------|---|---|--------|----------------------|-------------------------|----------------------|----------------------|---------------------|---------------|-------|
| | | 1 | 2 | 3 | | | | | | | | |
| 1 | VOE 6627784 | 1 | | | | Sign..... | Enseigne..... | Schild..... | Letrero..... | Skylt..... | | |
| | VOE 3176488 | | 1 | | | Wrn Triangle..... | Triangl.signal..... | Warndreieck..... | Triang Senaliz..... | Varn. Triangel..... | (VOE 9190595) | |
| 2 | VOE 11050490 | | 1 | | | Sign..... | Enseigne..... | Schild..... | Letrero..... | Skylt..... | | |
| 3 | VOE 11153057 | 1 | 1 | | | Attachment..... | Fixation..... | Halterung..... | Fijacion..... | Fäste..... | | |
| 4 | VOE 971322 | 2 | 2 | | | Screw..... | Vis..... | Schraube..... | Tornillo..... | Skruv..... | | |
| 5 | VOE 960139 | 2 | 2 | | | Washer..... | Rondelle..... | Scheibe..... | Arandela..... | Bricka..... | | |
| 6 | VOE 13949278 | 2 | 2 | | | Flange Lock Nut..... | Contre écrou bride..... | Flanschmutter..... | Contratuer Embr..... | Flänslåsmutter..... | | |
| 7 | VOE 4832120 | 1 | 1 | | | Retainer..... | Retenue..... | Halter..... | Soporte..... | Hållare..... | | |
| 8 | VOE 971322 | 2 | 2 | | | Screw..... | Vis..... | Schraube..... | Tornillo..... | Skruv..... | | |
| 9 | VOE 960139 | 2 | 2 | | | Washer..... | Rondelle..... | Scheibe..... | Arandela..... | Bricka..... | | |
| 10 | VOE 13949278 | 2 | 2 | | | Flange Lock Nut..... | Contre écrou bride..... | Flanschmutter..... | Contratuer Embr..... | Flänslåsmutter..... | | |
| 11 | VOE 11400033 | 1 | 1 | | | Attachment..... | Fixation..... | Halterung..... | Fijacion..... | Fäste..... | | |
| 12 | VOE 946440 | 3 | 3 | | | Flange screw..... | Vis à bride..... | Flanschschraube..... | Torn embridado..... | Flänsskruv..... | | |
| 13 | VOE 13960141 | 3 | 3 | | | Washer..... | Rondelle..... | Scheibe..... | Arandela..... | Bricka..... | | |

| | | | | |
|---|-------|---|----------------|---------|
| 1 | 80890 | LGF - skylt. LGF - letreros. LGF - Warndreieck. Plaque "véhicule lent". LGF - sign. | Catalogue id | Group |
| 2 | 80891 | | 20007 | 897 |
| 3 | | | Illustr. No | Section |
| 4 | | | 1001180 | 150 |
| 5 | | | Issue | Page |
| | | | VOE 63D9920007 | 781 |

VOLVO

L90E



28
L90E

29
VOLVO

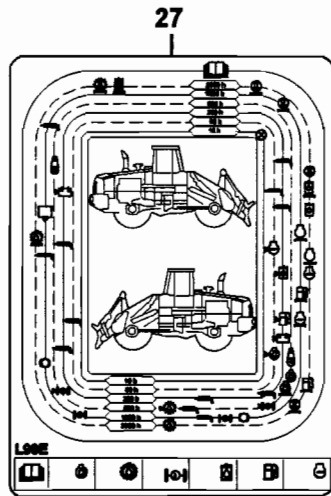
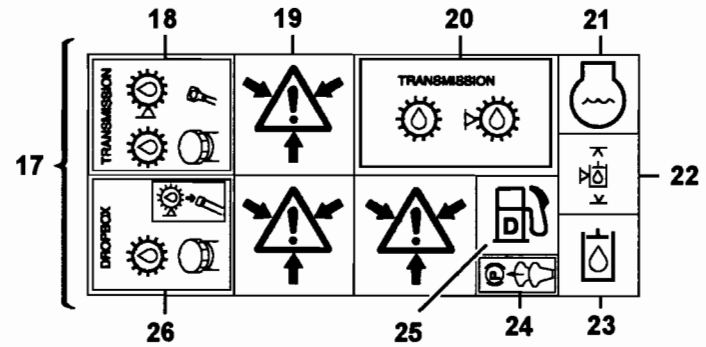
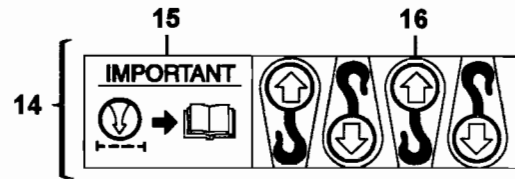
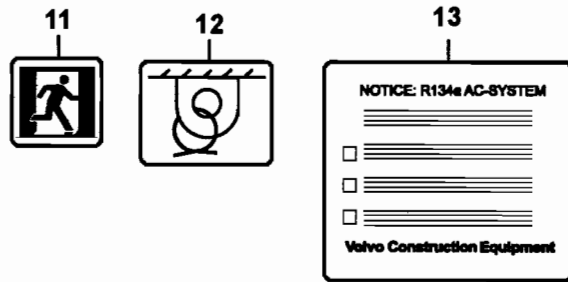
Volvo Construction
Equipment
1015900

| Fig. | Part No. | Quantity | | | P S | K I T | Description | Dénomination | Bezeichnung | Denominación | Benämning | Notes |
|------|--------------|----------|---|---|--------|-------------|---------------------|----------------------|--------------------|----------------------|--------------------|---|
| | | 1 | 2 | 3 | | | | | | | | |
| 1 | VOE 11027566 | REQ | | | | | Warning Decal | Decal.avertiss. | Warnaufkleber..... | Calcomania Adv | Varningsdekal..... | (VOE 13935002) NOT TO WALK UNDER BUCKET |
| 2 | VOE 11400920 | 1 | | | | | Warning Plate | Panneau Signal..... | Warnschild | Letrero Advert | Varningsskylt..... | DO NOT STAND BEHIND MACHINE |
| 3 | VOE 13935000 | REQ | | | | | Warning Decal | Decal.avertiss. | Warnaufkleber..... | Calcomania Adv | Varningsdekal..... | ARTICULATION |
| 4 | VOE 13935004 | REQ | | | | | Warning Decal | Decal.avertiss. | Warnaufkleber..... | Calcomania Adv | Varningsdekal..... | BATTERY |
| 5 | VOE 13935003 | REQ | | | | | Warning Decal | Decal.avertiss. | Warnaufkleber..... | Calcomania Adv | Varningsdekal..... | SEE INSTR. BOOK |
| 6 | VOE 13935001 | REQ | | | | | Warning Decal | Decal.avertiss. | Warnaufkleber..... | Calcomania Adv | Varningsdekal..... | FAN PROTECTION |
| 7 | VOE 11026072 | 1 | | | | | Decal..... | Decalcomanie | Abziehbild..... | Decalcomania | Dekal..... | |
| 8 | VOE 11130942 | 1 | | | | | Decal..... | Decalcomanie | Abziehbild..... | Decalcomania | Dekal..... | |
| 9 | VOE 11026729 | REQ | | | | | Decal..... | Decalcomanie | Abziehbild..... | Decalcomania | Dekal..... | BATTERY DISCONNECT |
| 10 | VOE 4952181 | REQ | | | | | Decal..... | Decalcomanie | Abziehbild..... | Decalcomania | Dekal..... | ANTIFREEZE |
| 11 | VOE 13935007 | REQ | | | | | Decal..... | Decalcomanie | Abziehbild..... | Decalcomania | Dekal..... | EMERGENCY EXIT |
| 12 | VOE 11026730 | REQ | | | | | Decal..... | Decalcomanie | Abziehbild..... | Decalcomania | Dekal..... | TIE DOWNS |
| 13 | VOE 11414081 | 1 | | | | | Decal..... | Decalcomanie | Abziehbild..... | Decalcomania | Dekal..... | AC |
| 14 | VOE 11004094 | | | | | | Decal..... | Decalcomanie | Abziehbild..... | Decalcomania | Dekal..... | |
| 15 | VOE 4952167 | 1 | | | SS | | •Decal | •Decalcomanie | •Abziehbild | •Decalcomania | •Dekal..... | AIR CLEANER |
| 16 | VOE 4898495 | 4 | | | SS | | •Decal | •Decalcomanie | •Abziehbild | •Decalcomania | •Dekal..... | LIFTING HOOK |
| 17 | VOE 11003865 | | | | | | Decal..... | Decalcomanie | Abziehbild..... | Decalcomania | Dekal..... | |
| 18 | | 2 | | | NS | | •Decal | •Decalcomanie | •Abziehbild | •Decalcomania | •Dekal..... | TRANSMISSION FILL |
| 19 | VOE 4948092 | 3 | | | SS | | •Decal | •Decalcomanie | •Abziehbild | •Decalcomania | •Dekal..... | WARNING ENCLOSED PRESSURE |
| 20 | VOE 4932840 | 1 | | | SS | | •Decal | •Decalcomanie | •Abziehbild | •Decalcomania | •Dekal..... | TRANSMISSION |
| 21 | VOE 4932797 | 1 | | | SS | | •Decal | •Decalcomanie | •Abziehbild | •Decalcomania | •Dekal..... | COOLING LIQUID LEVEL |
| 22 | VOE 4952173 | 1 | | | SS | | •Decal | •Decalcomanie | •Abziehbild | •Decalcomania | •Dekal..... | HYDRAULICFLUID LEVEL |
| 23 | VOE 4948103 | 1 | | | SS | | •Decal | •Decalcomanie | •Abziehbild | •Decalcomania | •Dekal..... | HYDRAULIC SYSTEM |
| 24 | VOE 4935704 | 1 | | | SS | | •Decal | •Decalcomanie | •Abziehbild | •Decalcomania | •Dekal..... | PARKING BRAKE |
| 25 | VOE 11055037 | 1 | | | SS | | •Decal | •Decalcomanie | •Abziehbild | •Decalcomania | •Dekal..... | DIESEL-FUEL |
| 26 | | 1 | | | NS | | •Decal | •Decalcomanie | •Abziehbild | •Decalcomania | •Dekal..... | DROP BOX |

| | | | |
|---|---|-----------------------|------------|
| 1 | Illustration av skyltar och dekaler Ilustración muestras y calcomanías Illustration von Schilder und Aufklebeschild Illustration enseignes et décalcomanies Illustrations of sign plates and decals STD, OPEN ROPS | Catalogue id | Group |
| 2 | | 20007 | 897 |
| 3 | | Illustr. No | Section |
| 4 | | 1015900 | 300 |
| 5 | | Issue | Page |
| | | VOE 63D9920007 | 783 |

VOLVO

L90E



28. L90E

29. VOLVO

| Fig. | Part No. | Quantity | | | P S | K I T | Description | Dénomination | Bezeichnung | Denominación | Benämning | Notes |
|------|--------------|----------|---|---|--------|-------------|--------------------|-----------------|--------------------|--------------|----------------------|-------|
| | | 1 | 2 | 3 | | | | | | | | |
| 27 | VOE 11175379 | 1 | | | | Decal..... | Autocollant | Aufkleber | Calcomanía | Dekal..... | LUBRICATION INTERVAL | |
| 28 | VOE 11174450 | 2 | | | | Decal..... | Autocollant | Aufkleber | Calcomanía | Dekal..... | | |
| 29 | VOE 11174177 | 2 | | | | Decal..... | Decalcomanie | Abziehbild..... | Decalcomania | Dekal..... | | |

| | | | | |
|---|--|--|----------------|---------|
| 1 | | Illustration av skyltar och dekaler | Catalogue id | Group |
| 2 | | Ilustración muestras y calcomanías | 20007 | 897 |
| 3 | | Illustration von Schilder und Aufklebeschild | Illustr. No | Section |
| 4 | | Illustration enseignes et décalcomanies | 1015900 | 300 |
| 5 | | Illustrations of sign plates and decals | Issue | Page |
| | | STD, OPEN ROPS | VOE 63D9920007 | 785 |

VOLVO

L90E

VOLVO

Construction Equipment

| GROUP | | Section | Page | GROUP | | Section | Page |
|-------|--|---------|------|-------|--|---------|------|
| 911 | Hydraulic oil tank, with fitting parts STD, OPEN ROPS | 100 | 793 | 924 | 82259 | 250 | 875 |
| 911 | Hydraulic oil tank STD, OPEN ROPS | 150 | 795 | 924 | 82892 | 300 | 877 |
| 911 | Suction line, tank - pump STD, OPEN ROPS | 200 | 799 | 945 | Loading unit..... | 100 | 881 |
| 911 | Hydraulic system, feed line STD, OPEN ROPS | 250 | 801 | 945 | Lifting frame work with assembly parts | 150 | 883 |
| 911 | Feed line, pump - central block STD, OPEN ROPS | 300 | 805 | 945 | Forward links with fitting parts..... | 200 | 885 |
| 911 | Hydraulic system, return line STD, OPEN ROPS | 350 | 809 | 945 | Rear links with assembly parts..... | 250 | 889 |
| 911 | Hydraulic system, return line STD, OPEN ROPS | 400 | 811 | 945 | Lifting- and tilt cylinder with assembly parts. STD, OPEN ROPS | 300 | 893 |
| 911 | Drainage line, control valve STD, OPEN ROPS | 450 | 813 | 945 | Assemble attachment bracket. STD, OPEN ROPS | 350 | 897 |
| 911 | Hydraulic system, lift function STD, OPEN ROPS | 500 | 815 | 945 | Extended lube points for lift arm system | 400 | 899 |
| 911 | Hydraulic system, tilt function STD, OPEN ROPS | 550 | 817 | 945 | Extended lube points for lift arm system STD, OPEN ROPS..... | 410 | 901 |
| 912 | Control valve with fitting parts. STD, OPEN ROPS | 100 | 819 | 945 | Bucket positioner and boom kickout STD, OPEN ROPS | 450 | 903 |
| 912 | Valve body: Centralblock STD, OPEN ROPS..... | 300 | 823 | 945 | Hydraulic cylinder, lifting. STD, OPEN ROPS..... | 500 | 905 |
| 913 | Hydraulic pump with fitting parts STD, OPEN ROPS | 100 | 825 | 945 | Hydraulic cylinder, tilt STD, OPEN ROPS..... | 550 | 907 |
| 913 | Hydraulic pump STD, OPEN ROPS | 150 | 827 | 945 | Hose protection, lift cylinder 82216 | 700 | 909 |
| 913 | Hydraulic pump STD, OPEN ROPS | 200 | 829 | 993 | Central lubrication 82377 | 100 | 911 |
| 914 | Servo - hydraulic STD, OPEN ROPS | 100 | 831 | 993 | Central lubrication,tool bar 82355 | 450 | 913 |
| 914 | Servo valve with fitting parts STD, 33286 OPEN ROPS, 82050..... | 150 | 835 | | | | |
| 914 | Control lines STD, 33286 OPEN ROPS | 200 | 837 | | | | |
| 914 | Servo valve STD, 33286 OPEN ROPS, 82050..... | 250 | 839 | | | | |
| 914 | Servo valve with fitting parts. 82325, 82326 | 350 | 843 | | | | |
| 914 | Control valve. 82325 | 400 | 845 | | | | |
| 914 | Hydraulic system, 3rd and 4th function. Feed and return lines. 80930, 82050 | 600 | 847 | | | | |
| 914 | Hydraulic system, 3rd and 4th function. Feed and return lines. 80930, 82050 | 700 | 851 | | | | |
| 916 | Boom suspension system 80931 | 100 | 855 | | | | |
| 916 | Relief valve. 80931 | 150 | 861 | | | | |
| 916 | Relief valve. 80931 | 200 | 863 | | | | |
| 924 | Hydraulic system for attachment bracket. 80933..... | 100 | 865 | | | | |
| 924 | Attachment bracket 80678 | 150 | 869 | | | | |
| 924 | | 200 | 871 | | | | |

INDEX OF CONTENTS

| | |
|--------------------------------|---------------------|
| Catalogue id 20007 | Group 900 |
| Issue VOE 63D9920007 | Page 787 |

VOLVO

L90E

TABLE DES MATIÈRES

| | |
|--------------------------------|---------------------|
| Catalogue id 20007 | Group 900 |
| Issue VOE 63D9920007 | Page 788 |

| GROUPE | Section | Page | GROUPE | Section | Page |
|--------|---|------|--------|---------|--|
| 911 | Réservoir á huile avec pièces de montage STD, OPEN ROPS..... | 100 | 793 | 924 | 200 871 |
| 911 | Réservoir d'huile hydraulique STD, OPEN ROPS | 150 | 795 | 924 | 82259 250 875 |
| 911 | Conduit d'aspiration, réservoir - pompe STD, OPEN ROPS..... | 200 | 799 | 924 | 82892 300 877 |
| 911 | Système hydraulique, conduit alimentation STD, OPEN ROPS..... | 250 | 801 | 945 | Groupe chargeur 100 881 |
| 911 | Conduit alimentation, pompe - bloc-soupape STD, OPEN ROPS..... | 300 | 805 | 945 | Chassis levage avec pièces de montage..... 150 883 |
| 911 | Système hydraulique, conduit retour STD, OPEN ROPS..... | 350 | 809 | 945 | Raccords arriere avec pièces de montage..... 200 885 |
| 911 | Système hydraulique, conduit retour STD, OPEN ROPS..... | 400 | 811 | 945 | Raccords arrière avec pièces de montage..... 250 889 |
| 911 | Conduit drainage, vanne de commande STD, OPEN ROPS | 450 | 813 | 945 | Verin levage- et redressement avec pièces de montage. STD, OPEN ROPS..... 300 893 |
| 911 | Système hydraulique, relevage hydraulique STD, OPEN ROPS | 500 | 815 | 945 | Montage de porte-outil. STD, OPEN ROPS..... 350 897 |
| 911 | Système hydraulique, culbutage hydraulique STD, OPEN ROPS..... | 550 | 817 | 945 | Tuyau graissagepour d'élévateur..... 400 899 |
| 912 | Valve de commande avec pièces de montage. STD, OPEN ROPS.. | 100 | 819 | 945 | Tuyau graissagepour d'élévateur STD, OPEN ROPS |
| 912 | Bloc-soupapes: Central Bloc STD, OPEN ROPS | 300 | 823 | 945 | Automatique de levage et automatique godet STD, OPEN ROPS |
| 913 | Pompe hydraulique avec pièces de montage STD, OPEN ROPS | 100 | 825 | 945 | Cylindre hydraulique, levage. STD, OPEN ROPS |
| 913 | Pompe hydraulique STD, OPEN ROPS | 150 | 827 | 945 | Cylindre hydraulique, cavage STD, OPEN ROPS |
| 913 | Pompe hydraulique STD, OPEN ROPS | 200 | 829 | 945 | Protection de flexible, vérin de levage 82216 |
| 914 | Servohydraulique STD, OPEN ROPS | 100 | 831 | 993 | Graissage central 82377 |
| 914 | Servo soupape avec pièces de montage STD, 33286 OPEN ROPS, 82050 | 150 | 835 | 993 | Graissage central,fixation outil 82355 |
| 914 | Canalisations de commande STD, 33286 OPEN ROPS | 200 | 837 | | |
| 914 | Servo soupape STD, 33286 OPEN ROPS, 82050 | 250 | 839 | | |
| 914 | Servo-soupape avec pièces de montage. 82325, 82326..... | 350 | 843 | | |
| 914 | Soupape de commande. 82325..... | 400 | 845 | | |
| 914 | Système hydraulique, 3ème et 4ème fonction.alimentation y retour. 80930, 82050 | 600 | 847 | | |
| 914 | Système hydraulique, 3ème et 4ème fonction.alimentation y retour. 80930, 82050 | 700 | 851 | | |
| 916 | Amortisseur vibrations 80931 | 100 | 855 | | |
| 916 | Soupape. 80931..... | 150 | 861 | | |
| 916 | Soupape. 80931..... | 200 | 863 | | |
| 924 | Système hydraulique, porte d'outil. 80933..... | 100 | 865 | | |
| 924 | Porte - outil 80678..... | 150 | 869 | | |

| GRUPPE | Abschnitt | Seite | GRUPPE | Abschnitt | Seite | | |
|--------|--|-------|--------|-----------|--|-----|-----|
| 911 | Druckölbehälter mit Anbauteilen STD, OPEN ROPS | 100 | 793 | 924 | 82259 | 250 | 875 |
| 911 | Hydrauliköltank STD, OPEN ROPS | 150 | 795 | 924 | 82892 | 300 | 877 |
| 911 | Saugleitung, Tank - Pumpe STD, OPEN ROPS | 200 | 799 | 945 | Laderaggregat | 100 | 881 |
| 911 | Druckölsystem, Druckleitung STD, OPEN ROPS | 250 | 801 | 945 | Hubgerüst mit Anbauteilen | 150 | 883 |
| 911 | Druckleitung, Pumpe - Ventilgruppe STD, OPEN ROPS | 300 | 805 | 945 | Vordere Gelenke mit Anbauteilen | 200 | 885 |
| 911 | Druckölsystem, Rücklaufleitung STD, OPEN ROPS | 350 | 809 | 945 | Hintere Gelenke mit Anbauteilen | 250 | 889 |
| 911 | Druckölsystem, Rücklaufleitung STD, OPEN ROPS | 400 | 811 | 945 | Hub- und Schwenkzylinder mit Anbauteilen. STD, OPEN ROPS | 300 | 893 |
| 911 | Abflussleitung, Steuerventil STD, OPEN ROPS | 450 | 813 | 945 | Montieren Geräteträger. STD, OPEN ROPS | 350 | 897 |
| 911 | Druckölsystem, Hubhydraulik STD, OPEN ROPS | 500 | 815 | 945 | Hubaggregatschmierung | 400 | 899 |
| 911 | Druckölsystem, Schwenkhydraulik STD, OPEN ROPS | 550 | 817 | 945 | Hubaggregatschmierung STD, OPEN ROPS | 410 | 901 |
| 912 | Steuerventil mit Anbauteilen. STD, OPEN ROPS | 100 | 819 | 945 | Hubwerk- und Schaufelautomatik STD, OPEN ROPS | 450 | 903 |
| 912 | Ventilgruppe: Zentralblock STD, OPEN ROPS | 300 | 823 | 945 | Hubzylinder. STD, OPEN ROPS | 500 | 905 |
| 913 | Druckölpumpe mit Anbauteilen STD, OPEN ROPS | 100 | 825 | 945 | Schwenkzylinder STD, OPEN ROPS | 550 | 907 |
| 913 | Hydraulikpumpe STD, OPEN ROPS | 150 | 827 | 945 | Schlauchschutz, Hubzylinder 82216 | 700 | 909 |
| 913 | Hydraulikpumpe STD, OPEN ROPS | 200 | 829 | 993 | Zentralschmierung 82377 | 100 | 911 |
| 914 | Servohydraulik STD, OPEN ROPS | 100 | 831 | 993 | Zentralschmierung, geräteträger 82355 | 450 | 913 |
| 914 | Servoventil mit Anbauteilen STD, 33286 OPEN ROPS, 82050 | 150 | 835 | | | | |
| 914 | Manövrierteilungen STD, 33286 OPEN ROPS | 200 | 837 | | | | |
| 914 | Servoventil STD, 33286 OPEN ROPS, 82050 | 250 | 839 | | | | |
| 914 | Servoventil mit Einbauteilen. 82325, 82326 | 350 | 843 | | | | |
| 914 | Manövrierventil. 82325 | 400 | 845 | | | | |
| 914 | Druckölsystem, 3. und 4. Funktion. Druck- und Rücklaufleitung. 80930, 82050 | 600 | 847 | | | | |
| 914 | Druckölsystem, 3. und 4. Funktion. Druck- und Rücklaufleitung. 80930, 82050 | 700 | 851 | | | | |
| 916 | Schwingungsdämpfer 80931 | 100 | 855 | | | | |
| 916 | Ventil. 80931 | 150 | 861 | | | | |
| 916 | Ventil. 80931 | 200 | 863 | | | | |
| 924 | Druckölsystem, Geräteschnellkupplung. 80933 | 100 | 865 | | | | |
| 924 | Geräteschnellkupplung 80678 | 150 | 869 | | | | |
| 924 | | 200 | 871 | | | | |

INHALTSVERZEICHNIS

| | |
|--------------------------------|---------------------|
| Catalogue id 20007 | Group 900 |
| Issue VOE 63D9920007 | Page 789 |

VOLVO

L90E

INDICE

| | |
|--------------------------------|---------------------|
| Catalogue id 20007 | Group 900 |
| Issue VOE 63D9920007 | Page 790 |

| GRUPO | Sección | Página | GRUPO | Sección | Página | | |
|-------|--|--------|-------|---------|--|-----|-----|
| 911 | Depósito de aceite hidráulico con accesorios de montaje STD, OPEN ROPS..... | 100 | 793 | 924 | Soporte de implementos 80678 | 150 | 869 |
| 911 | Depósito de aceite hidráulico STD, OPEN ROPS | 150 | 795 | 924 | | 200 | 871 |
| 911 | Conducto de aspiración, deposito - bomba STD, OPEN ROPS | 200 | 799 | 924 | 82259 | 250 | 875 |
| 911 | Sistema hidráulico, conducto de presión STD, OPEN ROPS..... | 250 | 801 | 924 | 82892 | 300 | 877 |
| 911 | Conducto de presión, bomba - bloque central STD, OPEN ROPS ... | 300 | 805 | 945 | Unidad carga..... | 100 | 881 |
| 911 | Sistema hidráulico, conducto de retorno STD, OPEN ROPS | 350 | 809 | 945 | Bastidor elevacion con accesorios de montaje | 150 | 883 |
| 911 | Sistema hidráulico, conducto de retorno STD, OPEN ROPS | 400 | 811 | 945 | Eslabones delante con accesorios de montaje..... | 200 | 885 |
| 911 | Conducto de drenaje, válvula de mando STD, OPEN ROPS..... | 450 | 813 | 945 | Brazos traseros con piezas de montaje | 250 | 889 |
| 911 | Sistema hidráulico, función de elevación STD, OPEN ROPS | 500 | 815 | 945 | Cilindro elevacion- y volquete con accesorios de montaje. STD, OPEN ROPS | 300 | 893 |
| 911 | Sistema hidráulico, función de inclinación STD, OPEN ROPS..... | 550 | 817 | 945 | Montaje de soporte de implementos. STD, OPEN ROPS | 350 | 897 |
| 912 | Válvula de mando con piezas se montaje. STD, OPEN ROPS..... | 100 | 819 | 945 | Tubo lubricante para de unid elevadora..... | 400 | 899 |
| 912 | Bloque de válvulas STD, OPEN ROPS | 300 | 823 | 945 | Tubo lubricante para de unid elevadora STD, OPEN ROPS | 410 | 901 |
| 913 | Bomba hidráulica con accesorios de montaje STD, OPEN ROPS.... | 100 | 825 | 945 | Elevador automático y automatismo de cuchara STD, OPEN ROPS | 450 | 903 |
| 913 | Bomba hidráulica STD, OPEN ROPS..... | 150 | 827 | 945 | Cilindro hidráulico, elevac. STD, OPEN ROPS..... | 500 | 905 |
| 913 | Bomba hidráulica STD, OPEN ROPS..... | 200 | 829 | 945 | Cilindro hidráulico, volquet STD, OPEN ROPS | 550 | 907 |
| 914 | Servo hidráulico STD, OPEN ROPS..... | 100 | 831 | 945 | Protección de manguera, cilindro de elevación 82216 | 700 | 909 |
| 914 | Servoválvula con accesorios de montaje STD, 33286 OPEN ROPS, 82050 | 150 | 835 | 993 | Lubricacion central 82377 | 100 | 911 |
| 914 | Tuberías de maniobra STD, 33286 OPEN ROPS | 200 | 837 | 993 | Lubricación central Fijacion herramientas 82355..... | 450 | 913 |
| 914 | Servoválvula STD, 33286 OPEN ROPS, 82050..... | 250 | 839 | | | | |
| 914 | Servoválvula con accesorios de montaje. 82325, 82326..... | 350 | 843 | | | | |
| 914 | Válvula de mando. 82325 | 400 | 845 | | | | |
| 914 | Sistema hidráulico, 3a y 4a función. Conducto de presion y retorno. 80930, 82050 | 600 | 847 | | | | |
| 914 | Sistema hidráulico, 3a y 4a función. Conducto de presion y retorno. 80930, 82050 | 700 | 851 | | | | |
| 916 | Amortiguador de vibraciones 80931 | 100 | 855 | | | | |
| 916 | Válvula. 80931 | 150 | 861 | | | | |
| 916 | Válvula. 80931 | 200 | 863 | | | | |
| 924 | Sistema hidráulica, soporte de implementos. 80933 | 100 | 865 | | | | |

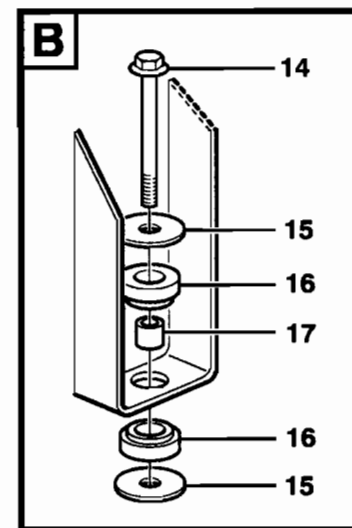
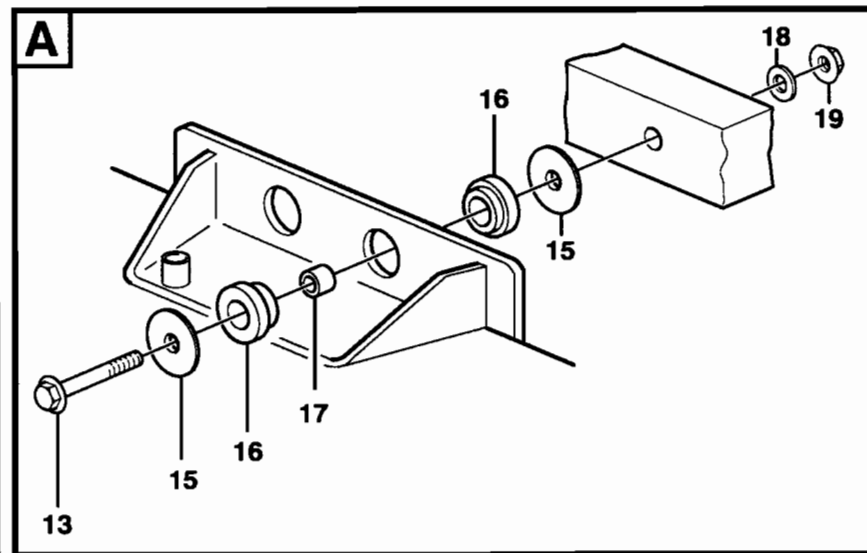
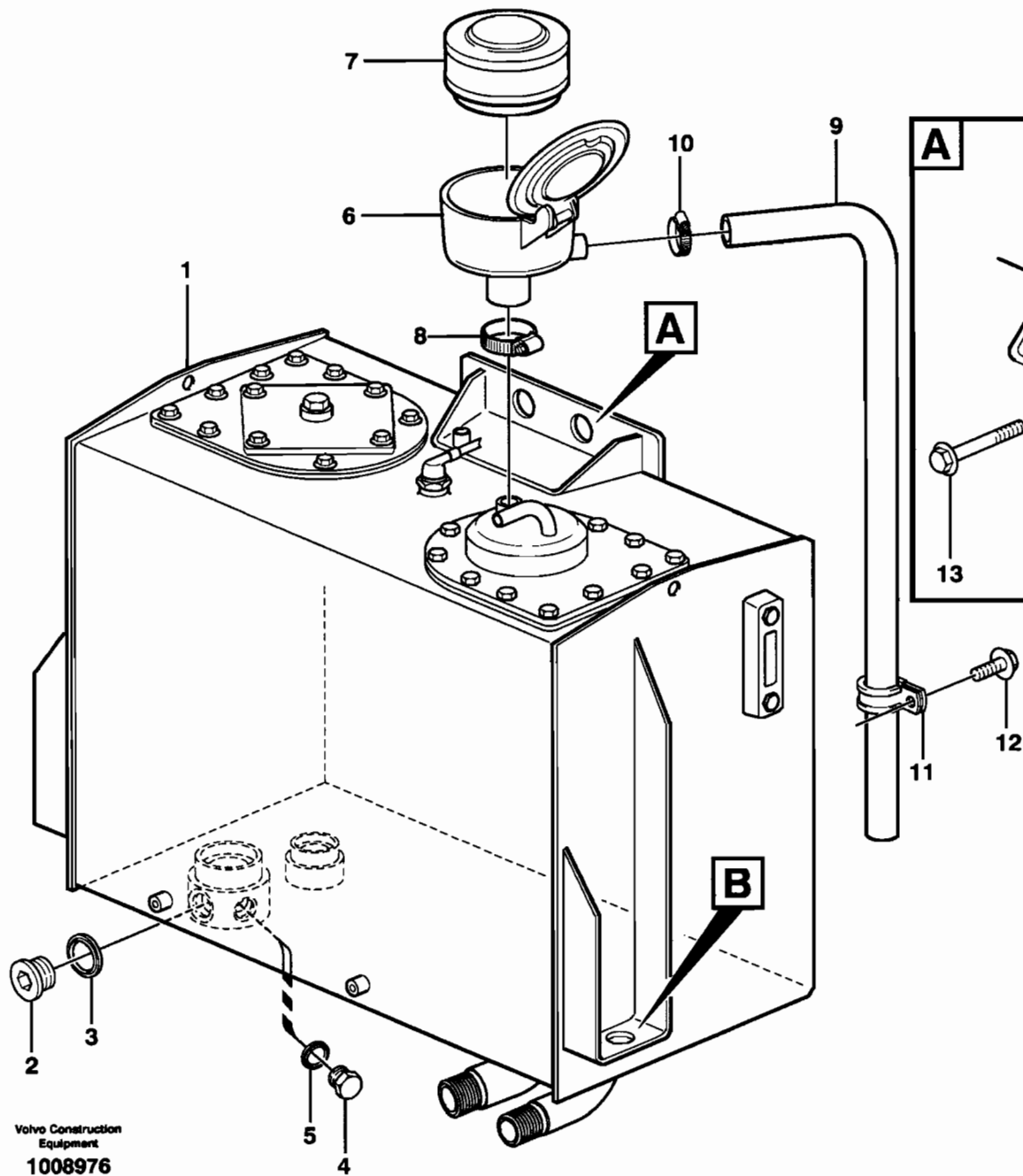
| GRUPP | Avsnitt | Sida | GRUPP | Avsnitt | Sida | | |
|-------|--|------|-------|---------|---|-----|-----|
| 911 | Hydrauloljetank med monteringsdetaljer STD, OPEN ROPS | 100 | 793 | 924 | Redskapsfäste vridbart. | 200 | 871 |
| 911 | Hydrauloljetank STD, OPEN ROPS..... | 150 | 795 | 924 | Hydraulsystem vridbart direktinfäst redskapsfäste 82259..... | 250 | 875 |
| 911 | Sugledning, tank - pump STD, OPEN ROPS | 200 | 799 | 924 | Hydraulsystem vridbart redskapsinfäst redskapsfäste 82892..... | 300 | 877 |
| 911 | Hydraulsystem, tryckledning STD, OPEN ROPS | 250 | 801 | 945 | Lastaggregat. | 100 | 881 |
| 911 | Tryckledning, pump - centralblock STD, OPEN ROPS..... | 300 | 805 | 945 | Lyftramverk med monteringsdetaljer..... | 150 | 883 |
| 911 | Hydraulsystem, returledning STD, OPEN ROPS..... | 350 | 809 | 945 | Främre länkar med monteringsdetaljer | 200 | 885 |
| 911 | Hydraulsystem, returledning STD, OPEN ROPS..... | 400 | 811 | 945 | Bakre länkar med monteringsdetaljer | 250 | 889 |
| 911 | Dräneringsledning, manöverventil STD, OPEN ROPS..... | 450 | 813 | 945 | Lyft- och tiltcylinder med monteringsdetaljer. STD, OPEN ROPS | 300 | 893 |
| 911 | Hydraulsystem, lyftfunktion STD, OPEN ROPS | 500 | 815 | 945 | Montering redskapsfäste. STD, OPEN ROPS | 350 | 897 |
| 911 | Hydraulsystem, tiltfunktion STD, OPEN ROPS | 550 | 817 | 945 | Framdragna smörjpunkter för lyftarmssystem..... | 400 | 899 |
| 912 | Manöverventil med monteringsdetaljer. STD, OPEN ROPS..... | 100 | 819 | 945 | Framdragna smörjpunkter för lyftarmssystem STD, OPEN ROPS | 410 | 901 |
| 912 | Ventilblock: Centralblock STD, OPEN ROPS | 300 | 823 | 945 | Skop- och lyftautomatik STD, OPEN ROPS | 450 | 903 |
| 913 | Hydraulpump med monteringsdetaljer STD, OPEN ROPS..... | 100 | 825 | 945 | Hydraulcylinder, lyft. STD, OPEN ROPS | 500 | 905 |
| 913 | Hydraulpump STD, OPEN ROPS | 150 | 827 | 945 | Hydraulcylinder, tilt STD, OPEN ROPS | 550 | 907 |
| 913 | Hydraulpump STD, OPEN ROPS | 200 | 829 | 945 | Slangskydd, lyftcylinder 82216..... | 700 | 909 |
| 914 | Servohydraulik STD, OPEN ROPS..... | 100 | 831 | 993 | Centralsmörjning 82377 | 100 | 911 |
| 914 | Servoventil med monteringsdetaljer STD, 33286 OPEN ROPS, 82050 | 150 | 835 | 993 | Centralsmörjning,redskapsfäste 82355..... | 450 | 913 |
| 914 | Manöverledningar STD, 33286 OPEN ROPS..... | 200 | 837 | | | | |
| 914 | Servoventil STD, 33286 OPEN ROPS, 82050..... | 250 | 839 | | | | |
| 914 | Servoventil med monteringsdetaljer. 82325, 82326..... | 350 | 843 | | | | |
| 914 | Manöverventil. 82325..... | 400 | 845 | | | | |
| 914 | Hydraulsystem, 3:e och 4:e funktion. Tryck och returledning. 80930, 82050 | 600 | 847 | | | | |
| 914 | Hydraulsystem, 3:e och 4:e funktion. Tryck och returledning. 80930, 82050 | 700 | 851 | | | | |
| 916 | Svängningsdämpare 80931 | 100 | 855 | | | | |
| 916 | Avlastningsventil. 80931 | 150 | 861 | | | | |
| 916 | Avlastningsventil. 80931 | 200 | 863 | | | | |
| 924 | Hydraulutrustning för redskapsfäste. 80933 | 100 | 865 | | | | |
| 924 | Redskapsfäste 80678 | 150 | 869 | | | | |

INNEHÅLLSFÖRTECKNING

| | |
|--------------------------------|---------------------|
| Catalogue id 20007 | Group 900 |
| Issue VOE 63D9920007 | Page 791 |

VOLVO

L90E



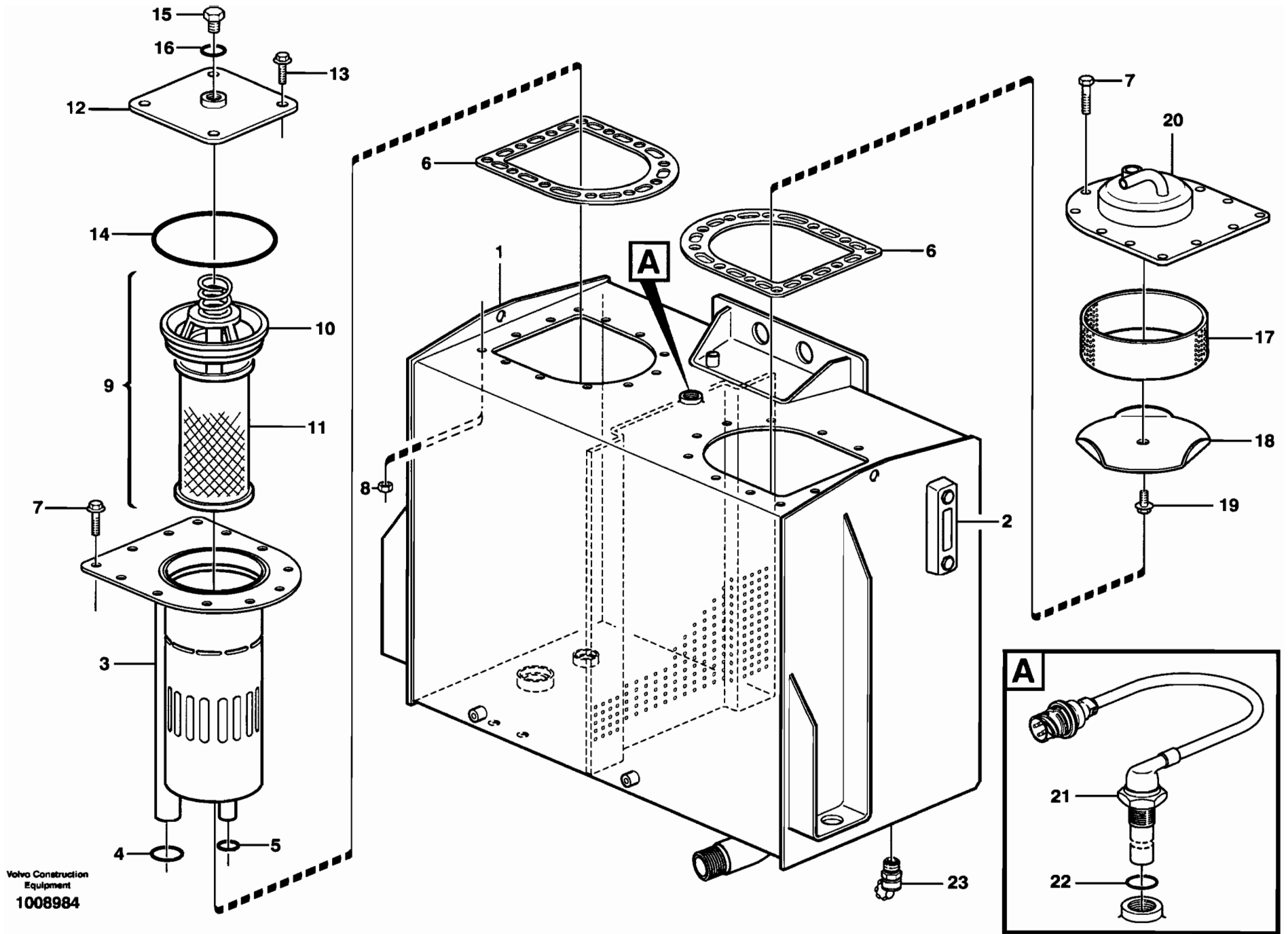
Volvo Construction
 Equipment
 1008976

| Fig. | Part No. | Quantity | | | P S | K I T | Description | Dénomination | Bezeichnung | Denominación | Benämning | Notes |
|------|--------------|----------|---|---|--------|-------------|-----------------------|--------------------------|------------------------|------------------------|-----------------------|-------------------------|
| | | 1 | 2 | 3 | | | | | | | | |
| 1 | | 1 | | | | | Hydr fluid tank | Reser.fluid.hy | Druckölbehälter | Dep aceite hidr | Hydrauloljetank | See group 911, Page 795 |
| 2 | VOE 13966145 | 1 | | | | | Plug | Bouchon | Stopfen | Tapon | Plugg | |
| 3 | VOE 948885 | 1 | | | | | Plane Gasket | Joint Plan | Flachdichtung | Junta Plana | Planpackning | |
| 4 | VOE 960631 | 1 | | | | | Plug | Bouchon | Stopfen | Tapon | Plugg | |
| 5 | VOE 948883 | 1 | | | | | Plane Gasket | Joint Plan | Flachdichtung | Junta Plana | Planpackning | |
| 6 | VOE 11173325 | 1 | | | | | Air filter | Filtre a air | Luftfilter | Filtro de aire | Luftfilter | |
| 7 | VOE 11707077 | 1 | | | | | •Filter Insert | •Cartouch.filtre | •Filtereinsatz | •Cartuc.filtrant | •Filterinsats | |
| 8 | VOE 943477 | 1 | | | | | •Hose Clamp | •Collier Serrage | •Schlauchschelle | •Abraz Manguera | •Slangklamma | |
| 9 | VOE 983418 | 1 | | | | | Hose | Flexible | Schlauch | Manguera | Slang | |
| 10 | VOE 943476 | 1 | | | | | Hose Clamp | Collier Serrage | Schlauchschelle | Abraz Manguera | Slangklamma | |
| 11 | VOE 981904 | 1 | | | | | Clamp | Pince Serrage | Klemme | Abrazadera | Klamma | |
| 12 | VOE 946440 | 1 | | | | | Flange screw | Vis à bride | Flanschschaube | Torn embridado | Flänsskruv | |
| 13 | VOE 13965194 | 2 | | | | | Flange screw | Vis à bride | Flanschschaube | Torn embridado | Flänsskruv | |
| 14 | VOE 13946474 | 2 | | | | | Flange screw | Vis à bride | Flanschschaube | Torn embridado | Flänsskruv | |
| 15 | VOE 11026615 | 8 | | | | | Washer | Rondelle | Scheibe | Arandela | Bricka | |
| 16 | VOE 4746300 | 8 | | | | | Rubber Block | Bloc Caoutchouc | Gummiblock | Bloque Goma | Gummikuts | |
| 17 | VOE 11026256 | 4 | | | | | Spacer Ring | Bagu.entretoise | Abstandring | Anillo Dist | Distansring | |
| 18 | VOE 13960145 | 2 | | | | | Washer | Rondelle | Scheibe | Arandela | Bricka | |
| 19 | VOE 971099 | 2 | | | | | Flange Lock Nut | Contre écrou bride | Flanschmutter | Contratuer Embr | Flänslåsmutter | |

| | | | | |
|---|--|---|-----------------------|------------|
| 1 | | Hydrauloljetank med monteringsdetaljer Dépósito de aceite hidráulico con accesorios de montaje Druckölbehälter mit Anbauteilen Réservoir á huile avec pièces de montage Hydraulic oil tank, with fitting parts | Catalogue id | Group |
| 2 | | | 20007 | 911 |
| 3 | | | Illustr. No | Section |
| 4 | | | 1008976 | 100 |
| 5 | | | Issue | Page |
| | | STD, OPEN ROPS | VOE 63D9920007 | 793 |

VOLVO

L90E

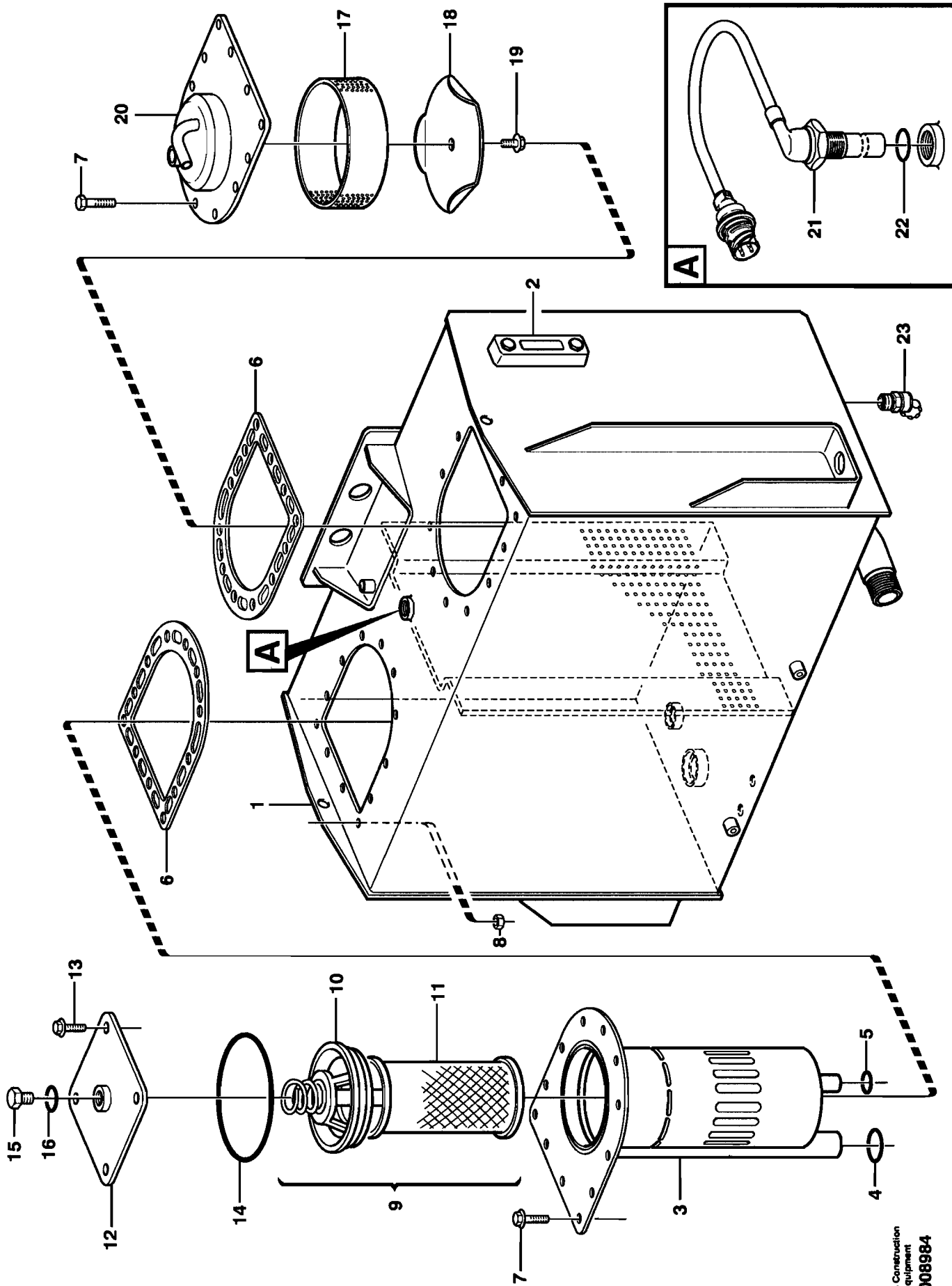


| Fig. | Part No. | Quantity | | | P S | K I T | Description | Dénomination | Bezeichnung | Denominación | Benämning | Notes |
|------|--------------|----------|----|----|--------|-------------|-----------------------------|------------------------------|------------------------|-----------------------------|-----------------------|---|
| | | 1 | 2 | 3 | | | | | | | | |
| | VOE 11410231 | 1 | | | | | Hydr fluid tank | Reservoir fluid.hydr. ... | Druckölbehälter | Dep Aceit Hidr | Hydrauloljetank..... | S/N - 21229 S/N - 66208 USA S/N - 70823 BRAZIL |
| | VOE 11410467 | 1 | | | | | Hydr fluid tank | Reservoir fluid.hydr. ... | Druckölbehälter | Dep Aceit Hidr | Hydrauloljetank..... | S/N 20230 - 20640 S/N 66209 - 66440 USA S/N 70824 - 70860 BRA |
| | VOE 11410519 | 1 | | | | | Hydr fluid tank | Reservoir fluid.hydr. ... | Druckölbehälter | Dep Aceit Hidr | Hydrauloljetank..... | S/N 20641 - S/N 66441 - USA S/N 70861 - BRAZIL |
| 1 | | 1 | | | NS | | •Hydraulic oil tank | •Réservoir hydrauliqu. | •Hydrauliköltank | •Depósito de aceite h. | •Hydrauloljetank..... | |
| | | | 1 | | NS | | •Hydraulic fluid tank ... | •Reservoir fluide hydr. | •Druckölbehälter..... | •Deposito aceite hidr .. | •Hydrauloljetank..... | |
| 2 | VOE 11148801 | 1 | 1 | 1 | | | •Level Inspection Gla. | •Regard Vitre..... | •Schauglas | •Ventana Nivel..... | •Niváglas..... | |
| 3 | VOE 11410019 | 1 | | | | | •Filter Housing | •Corps de filtre | •Filtergehäuse | •Cuerpo de filtro | •Filterhus..... | |
| | VOE 11410469 | 1 | 1 | | | | •Filter Housing | •Corps de filtre | •Filtergehäuse | •Cuerpo de filtro | •Filterhus..... | |
| 4 | VOE 925072 | 1 | 1 | 1 | | | •O-ring..... | •Joint Torique..... | •O-Ring..... | •Junta torica | •O-ring..... | |
| 5 | VOE 928976 | 1 | | | | | •O-ring..... | •Joint Torique..... | •O-Ring..... | •Junta torica | •O-ring..... | |
| | VOE 930932 | 1 | 1 | | | | •O-ring..... | •Joint Torique..... | •O-Ring..... | •Junta torica | •O-ring..... | |
| 6 | VOE 11410407 | 2 | | | | | •Gasket | •Joint | •Dichtung..... | •Junta | •Packning..... | |
| | VOE 11410471 | 2 | 2 | | | | •Gasket | •Joint | •Dichtung..... | •Junta | •Packning..... | |
| 7 | VOE 13945444 | 19 | 19 | 19 | | | •Flange screw | •Vis à bride..... | •Flanschschraube..... | •Torn embridado..... | •Flänsskruv..... | |
| 8 | | 22 | | | NS | | •Rivet Nut..... | •Ecrou Rivet | •Nietmutter | •Tuerca Remache | •Nitmutter..... | |
| | VOE 981056 | 22 | 22 | | | | •Rivet Nut..... | •Ecrou Rivet | •Nietmutter | •Tuerca Remache | •Nitmutter..... | |
| 9 | VOE 11026933 | 1 | 1 | 1 | | | •Filter Insert..... | •Cartouch.filtre | •Filtereinsatz..... | •Cartuc.filtrant..... | •Filterinsats..... | |
| 10 | | 1 | 1 | 1 | NS | | ••Filter Retainer..... | ••Porte-filtre | ••Filtertopf..... | ••Soporte Filtro | ••Filterhållare..... | |
| | VOE 6635976 | 1 | 1 | 1 | | | ••Spring..... | ••Ressort..... | ••Feder | ••Muelle..... | ••Fjäder..... | |
| | VOE 6210360 | 1 | 1 | 1 | | | ••O-ring | ••Joint Torique | ••O-Ring | ••Junta torica | ••O-ring..... | |
| | VOE 11994043 | 1 | 1 | 1 | | | ••Sealing ring | ••Bague d'étanchéité. | ••Runddichtring | ••Anillo reten..... | ••Tätningsring..... | |
| | VOE 11993070 | 1 | 1 | 1 | | | ••Spring Kit..... | ••Jeu Ressorts | ••Federsatz | ••Juego Resortes | ••Fjädersats..... | |
| 11 | VOE 11026934 | 1 | 1 | 1 | | | ••Filter Cartridge..... | ••Element Filtre | ••Filterpatrone | ••Patron Filtrant | ••Filterpatron..... | |
| 12 | VOE 11410470 | 1 | 1 | 1 | | | •Cover | •Couvercle..... | •Deckel | •Tapa | •Lock..... | |

| | | | | |
|---|----------|--|----------------|------------|
| 1 | 11410231 | Hydrauloljetank Depósito de aceite hidráulico Hydrauliköltank Réservoir d'huile hydraulique Hydraulic oil tank STD, OPEN ROPS | Catalogue id | Group |
| 2 | 11410467 | | 20007 | 911 |
| 3 | 11410519 | | Illustr. No | Section |
| 4 | | | 1008984 | 150 |
| 5 | | | Issue | Page |
| | | VOE 63D9920007 | 795 | |

VOLVO

L90E

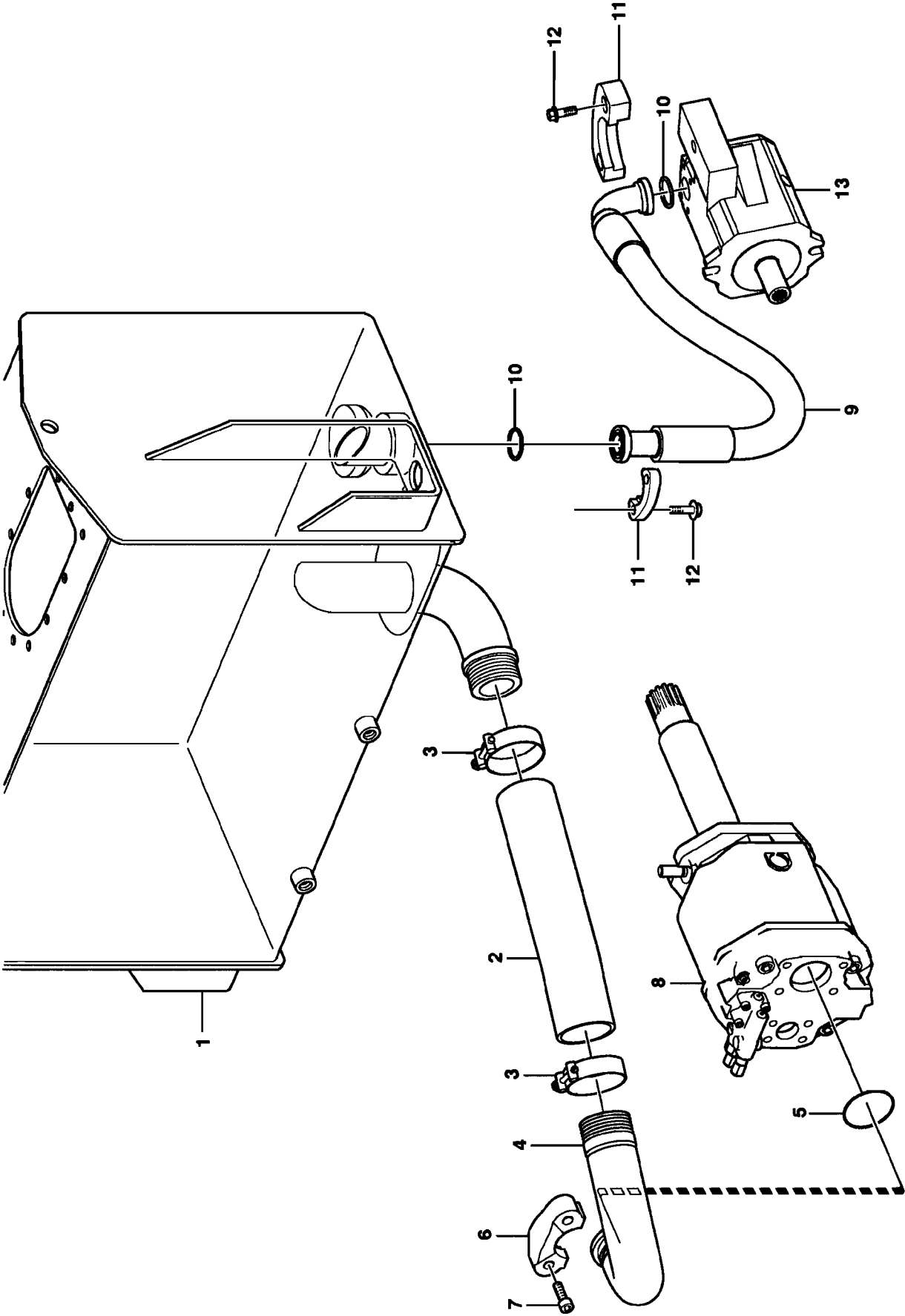


| Fig. | Part No. | Quantity | | | P S | K I T | Description | Dénomination | Bezeichnung | Denominación | Benämning | Notes |
|------|--------------|----------|---|---|--------|-------------|------------------------|-------------------------|----------------------|------------------------|---------------------|-------|
| | | 1 | 2 | 3 | | | | | | | | |
| 13 | VOE 946671 | 1 | 4 | 4 | | | •Flange screw | •Vis à bride..... | •Flanschschrabe..... | •Torn embridado..... | •Flänsskruv..... | |
| 14 | VOE 962500 | 1 | 1 | 1 | | | •O-ring..... | •Joint Torique | •O-Ring..... | •Junta torica | •O-ring..... | |
| 15 | VOE 941375 | 1 | 1 | 1 | | | •Plug | •Bouchon..... | •Stopfen | •Tapon..... | •Plugg..... | |
| 16 | VOE 958229 | 1 | 1 | 1 | | | •O-ring..... | •Joint Torique | •O-Ring..... | •Junta torica | •O-ring..... | |
| 17 | VOE 4854855 | 1 | 1 | 1 | | | •Ring | •Anneau | •Ring..... | •Anillo | •Ring..... | |
| 18 | VOE 4854856 | 1 | 1 | 1 | | | •Cover | •Couvercle..... | •Deckel | •Tapa..... | •Lock..... | |
| 19 | VOE 946440 | 1 | 1 | 1 | | | •Flange screw | •Vis à bride..... | •Flanschschrabe..... | •Torn embridado..... | •Flänsskruv..... | |
| 20 | VOE 11410235 | 1 | | | | | •Cover | •Capot | •Haube | •Cubierta | •Kåpa..... | |
| | VOE 11410472 | | 1 | 1 | | | •Cover | •Capot | •Haube | •Capo | •Huv..... | |
| 21 | VOE 11039725 | 1 | 1 | | | | •Level Indicator | •Indicateur de niveau . | •Niveauanzeige | •Indicador Nivel | •Nivåindikator..... | SE906 |
| | VOE 11039581 | | | 1 | | | •Level Indicator | •Indicateur de niveau . | •Niveauanzeige | •Indicador Nivel | •Nivåindikator..... | |
| 22 | VOE 958228 | 1 | 1 | 1 | | | •O-ring | •Joint Torique..... | •O-Ring | •Junta torica | •O-ring..... | |
| 23 | VOE 11054692 | 1 | 1 | 1 | | | •Valve..... | •Soupape | •Ventil..... | •Valvula | •Ventil..... | |

| | | | | |
|---|----------|--|----------------|------------|
| 1 | 11410231 | Hydrauloljetank Depósito de aceite hidráulico Hydrauliköltank Réservoir d'huile hydraulique Hydraulic oil tank STD, OPEN ROPS | Catalogue id | Group |
| 2 | 11410467 | | 20007 | 911 |
| 3 | 11410519 | | Illustr. No | Section |
| 4 | | | 1008984 | 150 |
| 5 | | | Issue | Page |
| | | VOE 63D9920007 | 797 | |

VOLVO

L90E



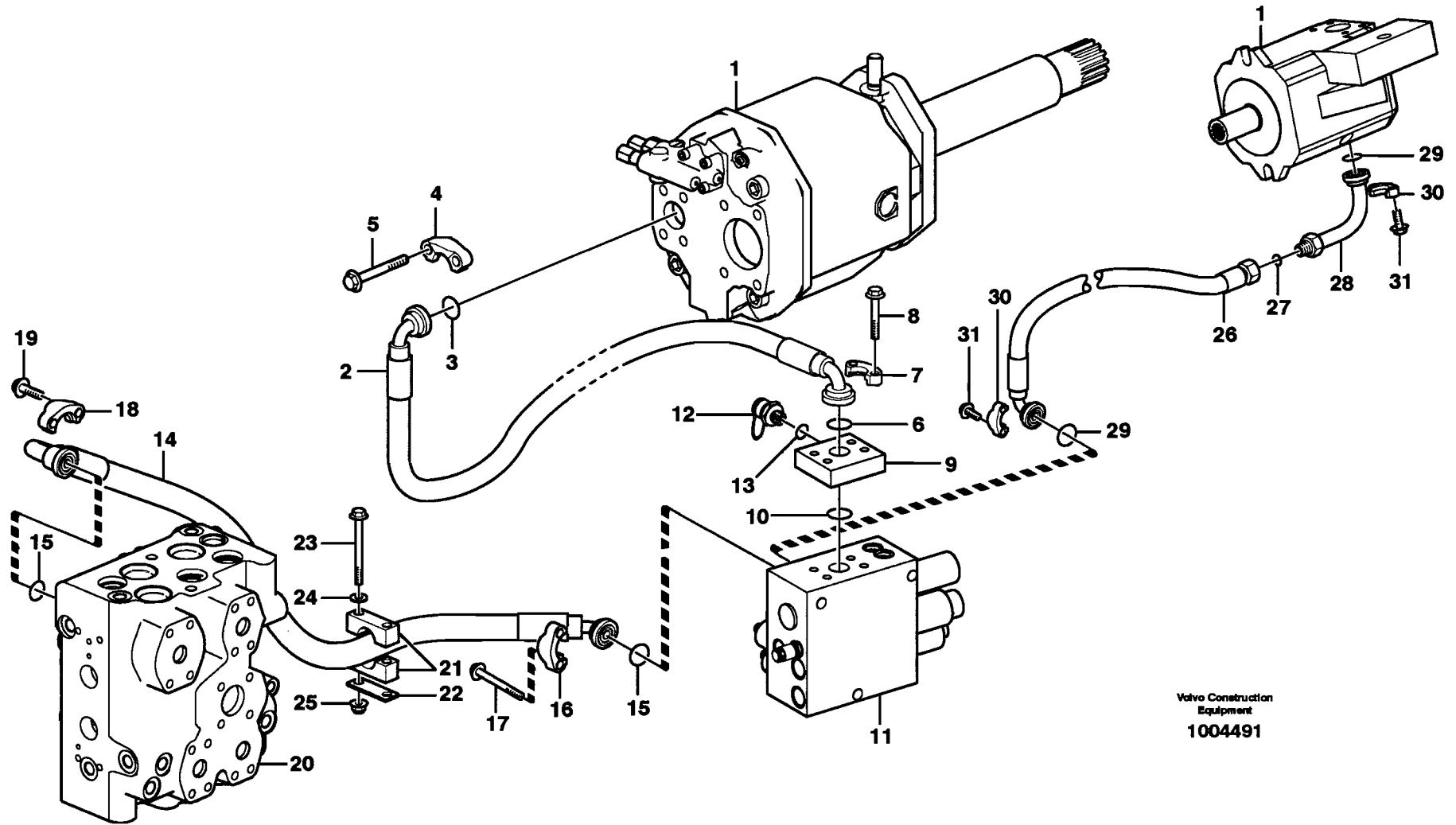
Volvo Construction
 Equipment
1003773

| Fig. | Part No. | Quantity | | | P S | K T | Description | Dénomination | Bezeichnung | Denominación | Benämning | Notes |
|------|--------------|----------|---|---|--------|--------|-----------------------|---------------------------|-----------------------|------------------------|----------------------|---|
| | | 1 | 2 | 3 | | | | | | | | |
| 1 | | 1 | | | | | Hydr fluid tank | Reservoir fluid.hydr. ... | Druckölbehälter | Dep Aceit Hidr | Hydrauloljetank..... | See group 911, Page 793 |
| 2 | VOE 11173108 | 1 | | | | | Suction hose | Durit aspiration | Saugschlauch..... | Manguer aspirac | Sugslang..... | |
| 3 | VOE 11173083 | 2 | | | | | Hose Clamp | Collier Serrage | Schlauchschelle | Abraz Manguera..... | Siangklamma..... | |
| 4 | VOE 11410255 | 1 | | | | | Suction Line | Conduit Aspira. | Saugleitung | Conducto Aspir..... | Sugledning..... | |
| 5 | VOE 13980102 | 1 | | | | | O-ring | Joint Torique | O-Ring | Junta torica..... | O-ring..... | |
| 6 | VOE 13933484 | 2 | | | | | Flange Half..... | Demi-bride | Flanschhälfte..... | Media brida | Flänshalva..... | |
| 7 | VOE 959256 | 4 | | | | | Allen Hd Screw | Vis A 6 Pans Cr..... | Inbusschraube..... | Torn Hex Embut | Insexskruv..... | |
| 8 | | 1 | | | | | Hydraulic Pump..... | Pompe Hydraulique ... | Hydraulikpumpe | Bomba Hidraulica | Hydraulpump..... | See group 913, Page 825 |
| 9 | VOE 11173221 | 1 | | | | | Hose assembly | Conduit flexible | Schlauchleitung..... | Conducto..... | Slangledning..... | L = 720 MM |
| 10 | VOE 13949238 | 2 | | | | | O-ring | Joint Torique | O-Ring | Junta torica..... | O-ring..... | |
| 11 | VOE 935308 | 4 | | | | | Flange Half..... | Demi-bride | Flanschhälfte..... | Media brida | Flänshalva..... | |
| 12 | VOE 946472 | 8 | | | | | Flange screw..... | Vis à bride | Flanschschraube..... | Torn embridado..... | Flänsskruv..... | SER NO - 20016 SER NO - 70802 BRAZIL |
| | VOE 984080 | 4 | | | | | Allen Hd Screw | Vis A 6 Pans Cr..... | Inbusschraube..... | Torn Hex Embut | Insexskruv..... | |
| 13 | | 1 | | | | | Hydraulic Pump..... | Pompe Hydraulique ... | Hydraulikpumpe | Bomba Hidraulica | Hydraulpump..... | See group 913, Page 825 |

| | | | | |
|---|--|--|----------------|---------|
| 1 | | Sugledning, tank - pump | Catalogue id | Group |
| 2 | | Conducto de aspiración, deposito - bomba | 20007 | 911 |
| 3 | | Saugleitung, Tank - Pumpe | Illustr. No | Section |
| 4 | | Conduit d'aspiration, réservoir - pompe | 1003773 | 200 |
| 5 | | Suction line, tank - pump | Issue | Page |
| | | STD, OPEN ROPS | VOE 63D9920007 | 799 |

VOLVO

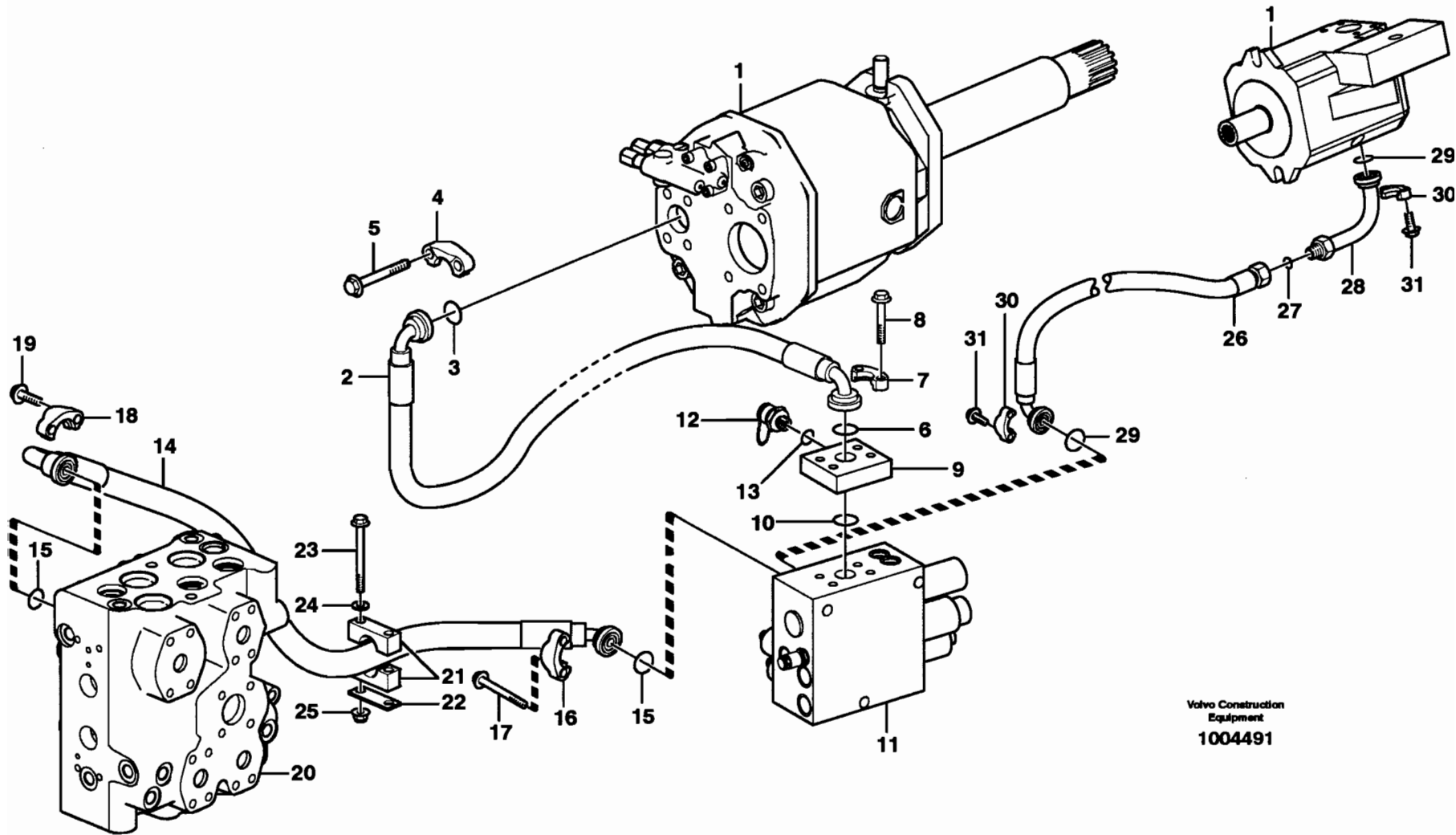
L90E



Volvo Construction
Equipment
1004491

| Fig. | Part No. | Quantity | | | P S | K I T | Description | Dénomination | Bezeichnung | Denominación | Benämning | Notes |
|------|--------------|----------|---|---|--------|----------------------|-------------------------|----------------------|------------------------|---------------------|-------------------------|-------|
| | | 1 | 2 | 3 | | | | | | | | |
| 1 | | 1 | | | | Hydraulic Pump..... | Pompe Hydraulique ... | Hydraulikpumpe | Bomba Hidraulica..... | Hydraulpump..... | See group 913, Page 825 | |
| 2 | VOE 11173342 | 1 | | | | Hose assembly | Conduit flexible | Schlauchleitung..... | Conducto..... | Slangledning..... | | |
| 3 | VOE 13949238 | 1 | | | | O-ring..... | Joint Torique | O-Ring..... | Junta torica..... | O-ring..... | | |
| 4 | VOE 14236931 | 2 | | | | Flange Half..... | Demi-bride | Flanschhälfte..... | Media brida | Flänshalva..... | | |
| 5 | VOE 13970997 | 4 | | | | Hexagon screw | Vis a tête hexagonale | Sechskantschr..... | Tornillo hexago..... | Sexkantsskruv..... | | |
| 6 | VOE 14215715 | 1 | | | | Sealing ring..... | Bague d'étanchéité ... | Runddichtring..... | Anillo reten | Tättningsring..... | | |
| 7 | VOE 14048189 | 2 | | | | Flange Half..... | Demi-bride | Flanschhälfte..... | Media brida | Flänshalva..... | | |
| 8 | VOE 13948039 | 4 | | | | Flange screw..... | Vis à bride | Flanschschaube..... | Torn embridado..... | Flänsskruv..... | | |
| 9 | VOE 11172851 | 1 | | | | Conn Block..... | Bloc Raccord..... | Anschlussocel | Bloque Conector | Anslutn.block..... | P | |
| 10 | VOE 14215715 | 1 | | | | Sealing ring..... | Bague d'étanchéité ... | Runddichtring..... | Anillo reten | Tättningsring..... | | |
| 11 | | 1 | | | | Valve block..... | Bloc-soupape..... | Ventilblock..... | Bloque de valvula..... | Ventilblock..... | See group 912, Page 823 | |
| 12 | VOE 936444 | 1 | | | | Testing Nipple..... | Raccord contrôle..... | Prufnippel..... | Niple Medicion..... | Mät nipple..... | (VOE 13933251) | |
| 13 | VOE 13960213 | 1 | | | | •O-ring..... | •Joint Torique..... | •O-Ring..... | •Junta torica | •O-ring..... | | |
| 14 | VOE 11173033 | 1 | | | | Hose assembly | Conduit flexible | Schlauchleitung..... | Conducto..... | Slangledning..... | | |
| 15 | VOE 14215715 | 2 | | | | Sealing ring..... | Bague d'étanchéité ... | Runddichtring..... | Anillo reten | Tättningsring..... | | |
| 16 | VOE 14048189 | 2 | | | | Flange Half..... | Demi-bride | Flanschhälfte..... | Media brida | Flänshalva..... | | |
| 17 | VOE 965226 | 4 | | | | Flange screw..... | Vis à bride | Flanschschaube..... | Torn embridado..... | Flänsskruv..... | | |
| 18 | | 2 | | | NS | Flange Half..... | Demi-bride | Flanschhälfte..... | Media brida | Flänshalva..... | | |
| 19 | VOE 13965226 | 4 | | | | Screw..... | Vis | Schraube..... | Tornillo | Skruv..... | | |
| 20 | | 1 | | | | Control valve..... | Valve de commande .. | Steuerventil | Válvula de mando | Manöverventil..... | See group 912, Page 819 | |
| 21 | VOE 11173016 | 1 | | | | Clamp..... | Pince Serrage | Klemme..... | Abrazadera..... | Klämma..... | | |
| 22 | VOE 11172507 | 1 | | | | Plate..... | Plaque | Platte..... | Placa | Platta..... | | |
| 23 | VOE 13970986 | 2 | | | | Hexagon screw | Vis a tête hexagonale | Sechskantschr..... | Tornillo hexago..... | Sexkantsskruv..... | | |
| 24 | VOE 13955897 | 2 | | | | Washer..... | Rondelle..... | Scheibe..... | Arandela..... | Bricka..... | | |
| 25 | VOE 971099 | 2 | | | | Flange Lock Nut..... | Contre écrou bride | Flanscmutter | Contratuer Embr..... | Flänslåsmutter..... | | |
| 26 | VOE 11147995 | 1 | | | | Hose assembly | Conduit flexible | Schlauchleitung..... | Conducto..... | Slangledning..... | | |
| 27 | VOE 981289 | 1 | | | | O-ring..... | Joint Torique | O-Ring..... | Junta torica..... | O-ring..... | | |
| 28 | VOE 11148665 | 1 | | | | Adapter | Raccord Reduct. | Verbind Stutzen..... | Adaptador..... | Adapter..... | | |
| 29 | VOE 13948699 | 2 | | | | O-ring..... | Joint Torique | O-Ring..... | Junta torica..... | O-ring..... | | |
| 30 | VOE 11015454 | 4 | | | | Flange Half..... | Demi-bride | Flanschhälfte..... | Media brida | Flänshalva..... | | |

| | | | | |
|---|--|---|-----------------------|------------|
| 1 | | Hydraulsystem, tryckledning Sistema hidráulico, conducto de presión Druckölsystem, Druckleitung Système hydraulique, conduit alimentation Hydraulic system, feed line STD, OPEN ROPS | Catalogue id | Group |
| 2 | | | 20007 | 911 |
| 3 | | | Illustr. No | Section |
| 4 | | | 1004491 | 250 |
| 5 | | | Issue | Page |
| | | | VOE 63D9920007 | 801 |



Volvo Construction
Equipment
1004491

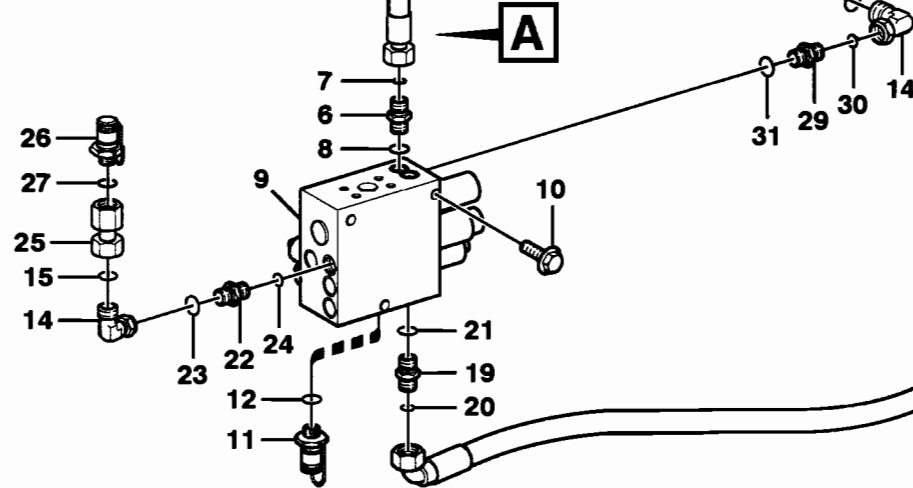
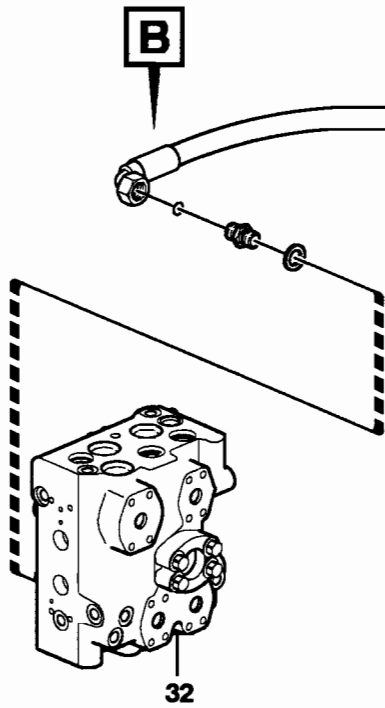
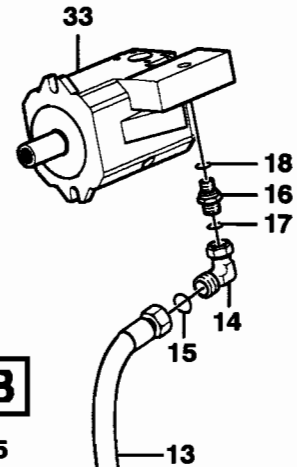
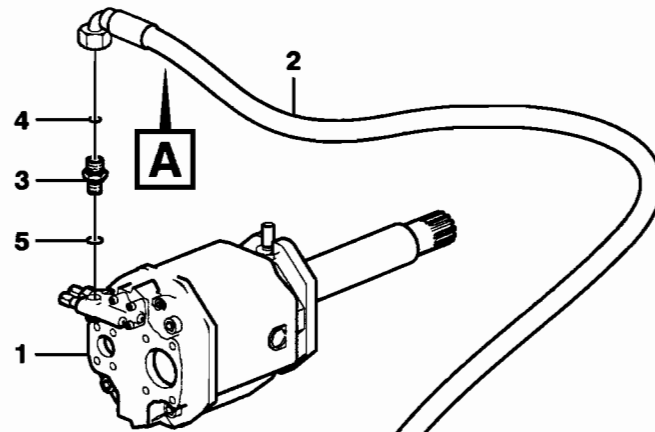
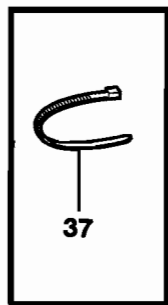
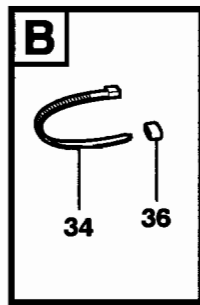
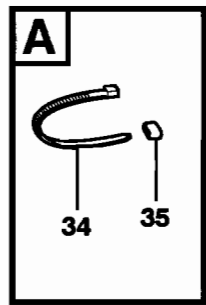
| Fig. | Part No. | Quantity | | | P S | K I T | Description | Dénomination | Bezeichnung | Denominación | Benämning | Notes |
|------|------------|----------|---|---|--------|-------------------|-------------------|----------------------|---------------------|-----------------|-----------|-------|
| | | 1 | 2 | 3 | | | | | | | | |
| 31 | VOE 946472 | 8 | | | | Flange screw..... | Vis à bride | Flanschschraube..... | Torn embridado..... | Flänsskruv..... | | |

| | | | | |
|---|--|---|-----------------------|------------|
| 1 | | Hydraulsystem, tryckledning Sistema hidráulico, conducto de presión Druckölsystem, Druckleitung Système hydraulique, conduit alimentation Hydraulic system, feed line STD, OPEN ROPS | Catalogue id | Group |
| 2 | | | 20007 | 911 |
| 3 | | | Illustr. No | Section |
| 4 | | | 1004491 | 250 |
| 5 | | | Issue | Page |
| | | | VOE 63D9920007 | 803 |

VOLVO

L90E

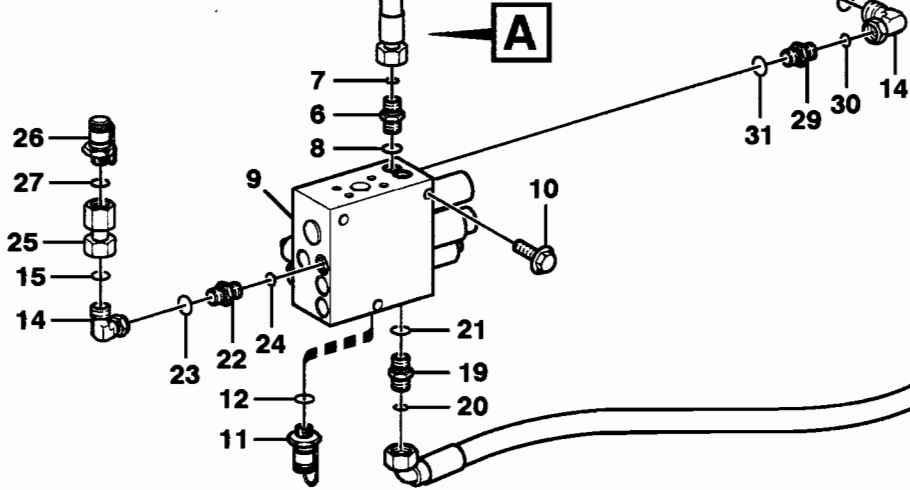
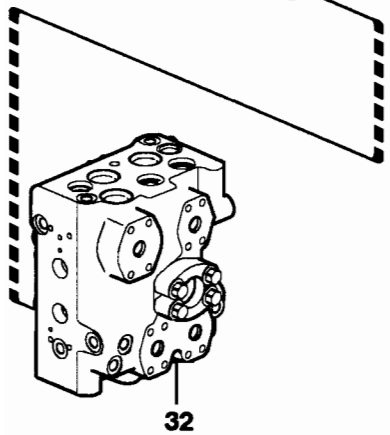
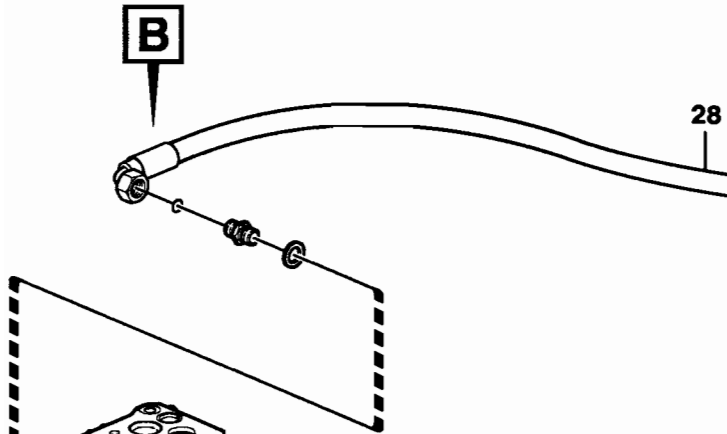
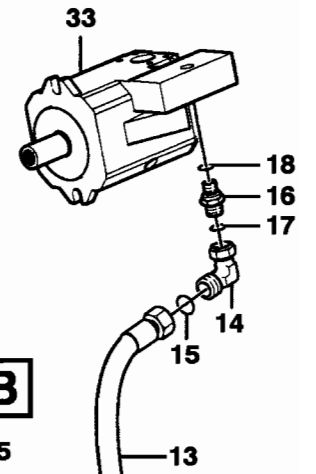
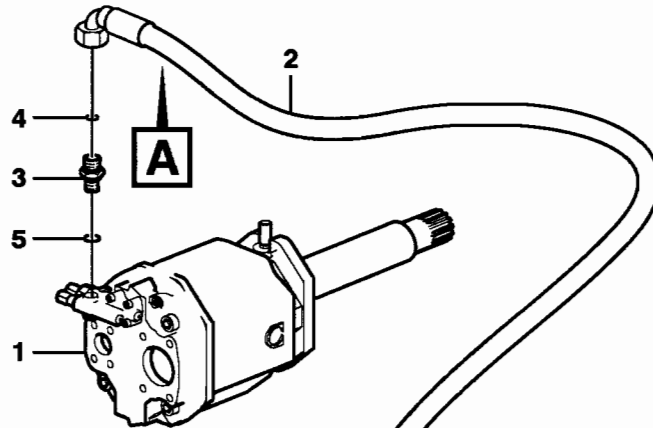
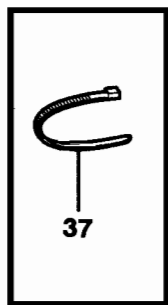
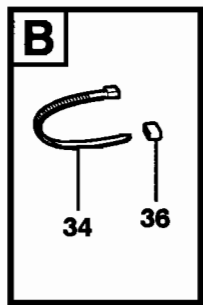
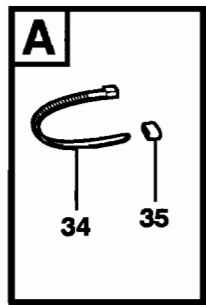




Volvo Construction
Equipment
1004468

| Fig. | Part No. | Quantity | | | P S | K I T | Description | Dénomination | Bezeichnung | Denominación | Benämning | Notes |
|------|--------------|----------|---|---|--------|---------------------|---------------------------|----------------------|------------------------|-------------------|-------------------------|-------|
| | | 1 | 2 | 3 | | | | | | | | |
| 1 | | 1 | | | | Hydraulic Pump..... | Pompe Hydraulique | Hydraulikpumpe | Bomba Hidraulica..... | Hydraulpump..... | See group 913, Page 825 | |
| 2 | VOE 11148937 | 1 | | | | Hose assembly | Conduit flexible | Schlauchleitung..... | Conducto..... | Slangledning..... | L = 1000 MM | |
| 3 | VOE 935082 | 1 | | | | Nipple..... | Raccord..... | Nippel..... | Niple..... | Nippel..... | | |
| 4 | VOE 4881722 | 1 | | | | •O-ring..... | •Joint Torique..... | •O-Ring..... | •Junta torica..... | •O-ring..... | | |
| 5 | VOE 932037 | 1 | | | | •O-ring..... | •Joint Torique..... | •O-Ring..... | •Junta torica..... | •O-ring..... | | |
| 6 | VOE 935548 | 1 | | | | Nipple..... | Raccord..... | Nippel..... | Niple..... | Nippel..... | LSP | |
| 7 | VOE 4881722 | 1 | | | | •O-ring..... | •Joint Torique..... | •O-Ring..... | •Junta torica..... | •O-ring..... | | |
| 8 | VOE 14211856 | 1 | | | | •Sealing ring..... | •Bague d'étanchéité | •Runddichtring..... | •Anillo reten | •Tätningring..... | | |
| 9 | | 1 | | | | Valve block..... | Bloc-soupape..... | Ventilblock..... | Bloque de valvula..... | Ventilblock..... | See group 912, Page 823 | |
| 10 | VOE 946329 | 3 | | | | Flange screw..... | Vis à bride..... | Flanschschraube..... | Torn embridado..... | Flänsskruv..... | | |
| 11 | VOE 936444 | 1 | | | | Testing Nipple..... | Raccord contrôle..... | Prufnippel..... | Niple Medicion..... | Mät-nippel..... | (VOE 13933251) PFF | |
| 12 | VOE 13960213 | 1 | | | | •O-ring..... | •Joint Torique..... | •O-Ring..... | •Junta torica..... | •O-ring..... | | |
| 13 | VOE 11163086 | 1 | | | | Hose assembly | Conduit flexible | Schlauchleitung..... | Conducto..... | Slangledning..... | L = 1650 MM | |
| 14 | VOE 13933905 | 3 | | | | Elbow nipple..... | Raccord angulaire..... | Winkelnippel..... | Niple angular..... | Vinkelnippel..... | | |
| 15 | VOE 4881722 | 3 | | | | •O-ring..... | •Joint Torique..... | •O-Ring..... | •Junta torica..... | •O-ring..... | | |
| 16 | VOE 935082 | 1 | | | | Nipple..... | Raccord..... | Nippel..... | Niple..... | Nippel..... | | |
| 17 | VOE 4881722 | 1 | | | | •O-ring..... | •Joint Torique..... | •O-Ring..... | •Junta torica..... | •O-ring..... | | |
| 18 | VOE 932037 | 1 | | | | •O-ring..... | •Joint Torique..... | •O-Ring..... | •Junta torica..... | •O-ring..... | | |
| 19 | VOE 935548 | 1 | | | | Nipple..... | Raccord..... | Nippel..... | Niple..... | Nippel..... | LSF | |
| 20 | VOE 4881722 | 1 | | | | •O-ring..... | •Joint Torique..... | •O-Ring..... | •Junta torica..... | •O-ring..... | | |
| 21 | VOE 14211856 | 1 | | | | •Sealing ring..... | •Bague d'étanchéité | •Runddichtring..... | •Anillo reten | •Tätningring..... | | |
| 22 | VOE 935548 | 1 | | | | Nipple..... | Raccord..... | Nippel..... | Niple..... | Nippel..... | MPR, SER NO - 20004 | |
| 23 | VOE 4881722 | 1 | | | | •O-ring..... | •Joint Torique..... | •O-Ring..... | •Junta torica..... | •O-ring..... | | |
| 24 | VOE 14211856 | 1 | | | | •Sealing ring..... | •Bague d'étanchéité | •Runddichtring..... | •Anillo reten | •Tätningring..... | | |
| 25 | VOE 935331 | 1 | | | | Test Nipple..... | Raccord Test..... | Prufnippel..... | Niple Prueba | Testnippel..... | | |
| 26 | VOE 936439 | 1 | | | | Testing Nipple..... | Raccord contrôle..... | Prufnippel..... | Niple Medicion..... | Mät-nippel..... | | |
| 27 | VOE 955990 | 1 | | | | •O-ring..... | •Joint Torique..... | •O-Ring..... | •Junta torica..... | •O-ring..... | | |
| 28 | VOE 11147946 | 1 | | | | Hose assembly | Conduit flexible | Schlauchleitung..... | Conducto..... | Slangledning..... | | |
| 29 | VOE 935548 | 1 | | | | Nipple..... | Raccord..... | Nippel..... | Niple..... | Nippel..... | LSW | |
| 30 | VOE 4881722 | 1 | | | | •O-ring..... | •Joint Torique..... | •O-Ring..... | •Junta torica..... | •O-ring..... | | |

| | | | | |
|---|--|---|-----------------------|------------|
| 1 | | Tryckledning, pump - centralblock Conducto de presión, bomba - bloque central Druckleitung, Pumpe - Ventilgruppe Conduit alimentation, pompe - bloc-soupape Feed line, pump - central block STD, OPEN ROPS | Catalogue id | Group |
| 2 | | | 20007 | 911 |
| 3 | | | Illustr. No | Section |
| 4 | | | 1004468 | 300 |
| 5 | | | Issue | Page |
| | | | VOE 63D9920007 | 805 |



Volvo Construction
Equipment
1004468

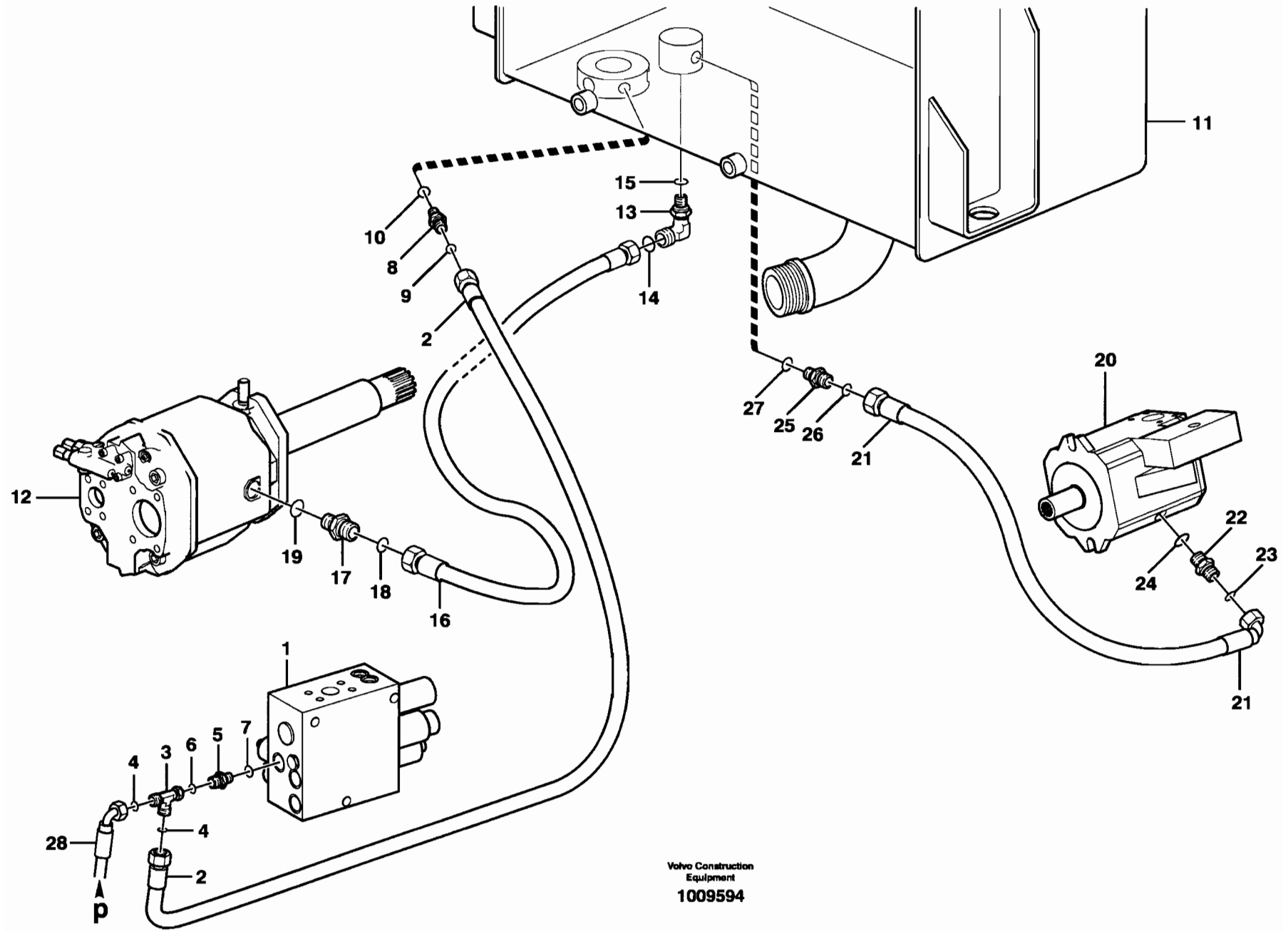
| Fig. | Part No. | Quantity | | | P S | K I T | Description | Dénomination | Bezeichnung | Denominación | Benämning | Notes |
|------|--------------|----------|---|---|--------|-------------|----------------------|-------------------------|----------------------|------------------------|--------------------|-------------------------|
| | | 1 | 2 | 3 | | | | | | | | |
| 31 | VOE 14211856 | 1 | | | | | •Sealing ring..... | •Bague d'étanchéité ... | •Runddichtring..... | •Anillo reten | •Tätningsring..... | |
| 32 | | 1 | | | | | Control valve..... | Valve de commande .. | Steuerventil | Válvula de mando | Manöverventil..... | See group 912, Page 819 |
| 33 | | 1 | | | | | Hydraulic Pump..... | Pompe Hydraulique ... | Hydraulikpumpe | Bomba Hidraulica | Hydraulpump..... | See group 913, Page 825 |
| 34 | VOE 4881438 | 4 | | | | | Strip Clamp | Ruban Serrage..... | Kabelbinder | Abraz Cinta | Bandklamma..... | |
| 35 | VOE 4881453 | 2 | | | | | Marking Sleeve | Douill.marquage..... | Kennhulse | Manguit Marcaje..... | Märkhylsa..... | VIOL |
| | VOE 4881457 | 2 | | | | | Marking Sleeve | Douill.marquage..... | Kennhulse | Manguit Marcaje..... | Märkhylsa..... | GREEN |
| 36 | VOE 4881451 | 2 | | | | | Marking Sleeve | Douill.marquage..... | Kennhulse | Manguit Marcaje..... | Märkhylsa..... | YELL |
| | VOE 4881452 | 2 | | | | | Marking Sleeve | Douill.marquage..... | Kennhulse | Manguit Marcaje..... | Märkhylsa..... | WHITE |
| 37 | VOE 4881440 | 1 | | | | | Strip Clamp | Ruban Serrage..... | Kabelbinder | Abraz Cinta | Bandklamma..... | |

| | | | | |
|---|--|---|----------------|---------|
| 1 | | Tryckledning, pump - centralblock | Catalogue id | Group |
| 2 | | Conducto de presión, bomba - bloque central | 20007 | 911 |
| 3 | | Druckleitung, Pumpe - Ventilgruppe | Illustr. No | Section |
| 4 | | Conduit alimentation, pompe - bloc-soupape | 1004468 | 300 |
| 5 | | Feed line, pump - central block | Issue | Page |
| | | STD, OPEN ROPS | VOE 63D9920007 | 807 |

VOLVO

L90E

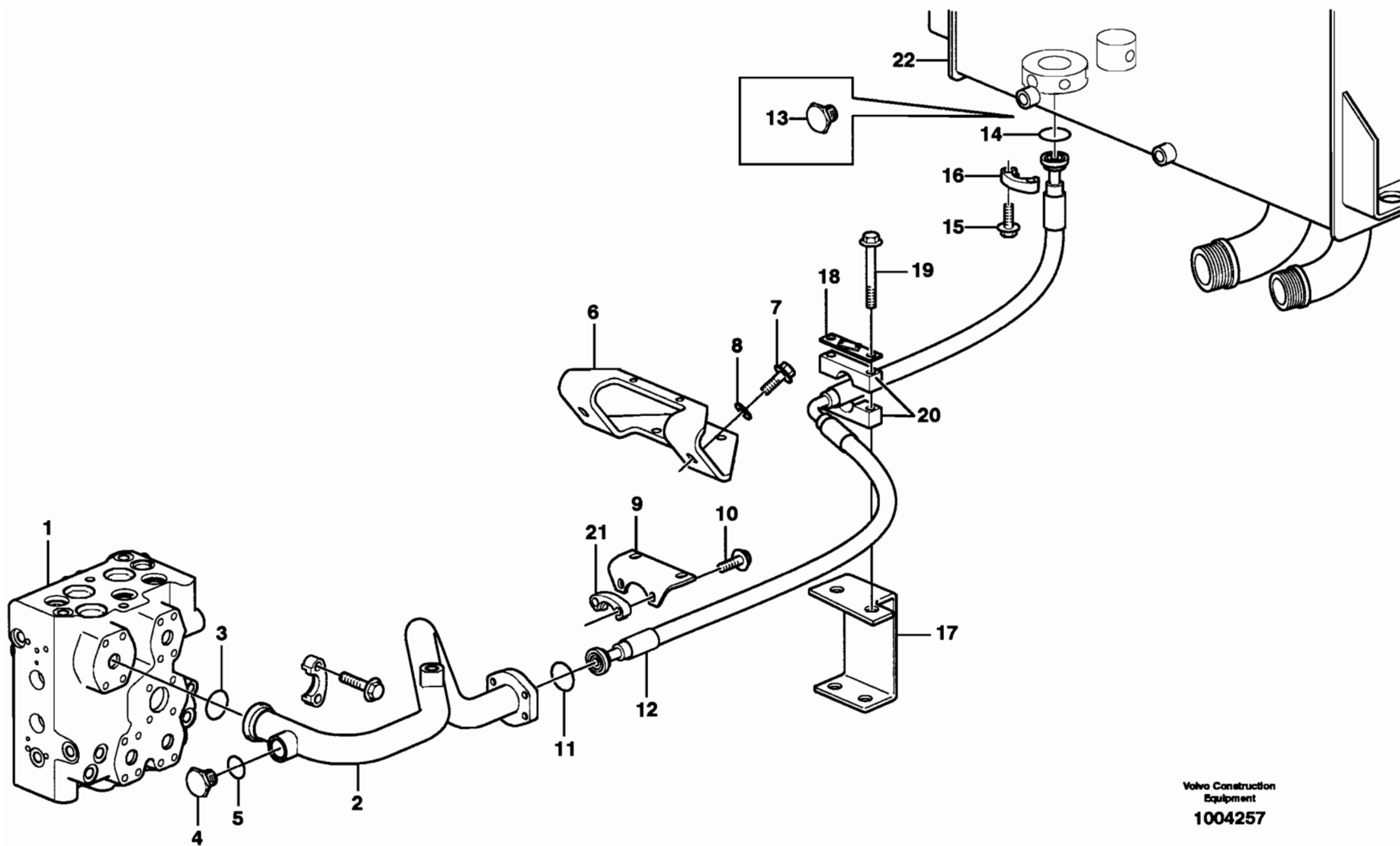




Volvo Construction
 Equipment
 1009594

| Fig. | Part No. | Quantity | | | P S | K T | Description | Dénomination | Bezeichnung | Denominación | Benämning | Notes |
|------|--------------|----------|---|---|--------|----------------------|----------------------------|----------------------|------------------------|----------------------|-------------------------|-------|
| | | 1 | 2 | 3 | | | | | | | | |
| 1 | | 1 | | | | Valve block..... | Bloc-soupape | Ventilblock..... | Bloque de valvula..... | Ventilblock..... | See group 912, Page 823 | |
| 2 | VOE 11173987 | 1 | | | | Hose assembly | Conduit flexible | Schlauchleitung..... | Conducto..... | Slangledning..... | | |
| 3 | VOE 13933936 | 1 | | | | T-nipple..... | Raccord-t | T-Nippel..... | Niple T..... | T-nippel..... | | |
| 4 | VOE 4880492 | 2 | | | | •O-ring..... | •Joint Torique | •O-Ring..... | •Junta torica | •O-ring..... | | |
| 5 | VOE 14345423 | 1 | | | | Nipple..... | Raccord..... | Nippel..... | Niple | Nippel..... | T | |
| 6 | VOE 4880492 | 1 | | | | •O-ring..... | •Joint Torique | •O-Ring..... | •Junta torica | •O-ring..... | | |
| 7 | VOE 14211856 | 1 | | | | •Sealing ring..... | •Bague d'étanchéité | •Runddichtring..... | •Anillo reten | •Tätningring..... | | |
| 8 | VOE 13933855 | 1 | | | | Nipple..... | Raccord..... | Nippel..... | Niple | Nippel..... | | |
| 9 | VOE 4880492 | 1 | | | | •O-ring..... | •Joint Torique | •O-Ring..... | •Junta torica | •O-ring..... | | |
| 10 | VOE 14213676 | 1 | | | | •Sealing ring..... | •Bague d'étanchéité | •Runddichtring..... | •Anillo reten | •Tätningring..... | | |
| 11 | | 1 | | | | Hydr fluid tank..... | Reservoir fluid.hydr. | Druckölbehälter..... | Dep Aceit Hidr | Hydrauloljetank..... | See group 911, Page 793 | |
| 12 | | 1 | | | | Hydraulic Pump..... | Pompe Hydraulique ... | Hydraulikpumpe | Bomba Hidraulica..... | Hydraulpump..... | See group 913, Page 825 | |
| 13 | VOE 936576 | 1 | | | | Nipple..... | Raccord..... | Nippel..... | Niple | Nippel..... | | |
| 14 | VOE 981289 | 1 | | | | •O-ring..... | •Joint Torique | •O-Ring..... | •Junta torica | •O-ring..... | | |
| 15 | VOE 967751 | 1 | | | | •O-ring..... | •Joint Torique | •O-Ring..... | •Junta torica | •O-ring..... | | |
| 16 | VOE 11410510 | 1 | | | | Hose assembly | Conduit flexible | Schlauchleitung..... | Conducto..... | Slangledning..... | | |
| 17 | VOE 11410506 | 1 | | | | Nipple..... | Raccord..... | Nippel..... | Niple | Nippel..... | | |
| 18 | VOE 981289 | 1 | | | | •O-ring..... | •Joint Torique | •O-Ring..... | •Junta torica | •O-ring..... | | |
| 19 | VOE 932042 | 1 | | | | •O-ring..... | •Joint Torique | •O-Ring..... | •Junta torica | •O-ring..... | | |
| 20 | | 1 | | | | Hydraulic Pump..... | Pompe Hydraulique ... | Hydraulikpumpe | Bomba Hidraulica..... | Hydraulpump..... | See group 913, Page 825 | |
| 21 | VOE 11172509 | 1 | | | | Hose assembly | Conduit flexible | Schlauchleitung..... | Conducto..... | Slangledning..... | | |
| 22 | VOE 13933923 | 1 | | | | Nipple..... | Raccord..... | Nippel..... | Niple | Nippel..... | | |
| 23 | VOE 4880493 | 1 | | | | •O-ring..... | •Joint Torique | •O-Ring..... | •Junta torica | •O-ring..... | | |
| 24 | VOE 932040 | 1 | | | | •O-ring..... | •Joint Torique | •O-Ring..... | •Junta torica | •O-ring..... | | |
| 25 | VOE 13933853 | 1 | | | | Nipple..... | Raccord..... | Nippel..... | Niple | Nippel..... | | |
| 26 | VOE 4880493 | 1 | | | | •O-ring..... | •Joint Torique | •O-Ring..... | •Junta torica | •O-ring..... | | |
| 27 | VOE 14211863 | 1 | | | | •Sealing ring..... | •Bague d'étanchéité | •Runddichtring..... | •Anillo reten | •Tätningring..... | | |
| 28 | | 1 | | | | Hose assembly | Conduit flexible | Schlauchleitung..... | Conducto..... | Slangledning..... | See group 551, Page 519 | |

| | | | | |
|---|--|--|-----------------------|------------|
| 1 | | Hydraulsystem, returledning Sistema hidráulico, conducto de retorno Druckölsystem, Rücklaufleitung Système hydraulique, conduit retour Hydraulic system, return line STD, OPEN ROPS | Catalogue id | Group |
| 2 | | | 20007 | 911 |
| 3 | | | Illustr. No | Section |
| 4 | | | 1009594 | 350 |
| 5 | | | Issue | Page |
| | | | VOE 63D9920007 | 809 |



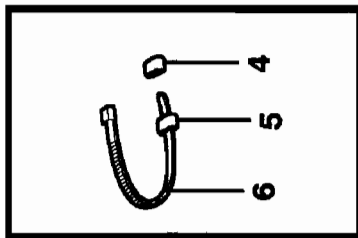
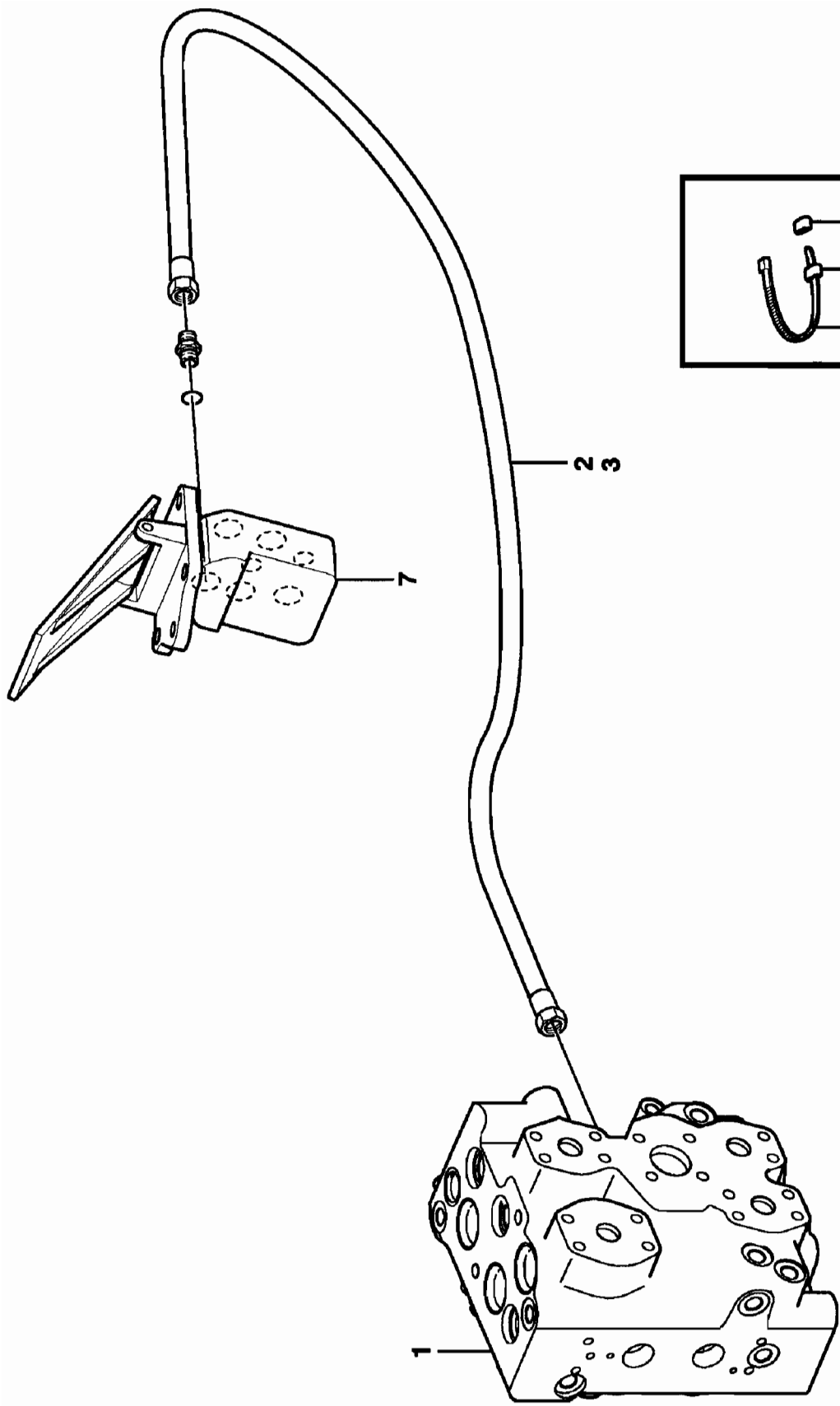
Volvo Construction
Equipment
1004257

| Fig. | Part No. | Quantity | | | P S | K T | Description | Dénomination | Bezeichnung | Denominación | Benämning | Notes |
|------|--------------|----------|---|---|--------|--------|------------------------|---------------------------|-----------------------|------------------------|----------------------|-------------------------|
| | | 1 | 2 | 3 | | | | | | | | |
| 1 | | 1 | | | | | Control valve | Valve de commande .. | Steuerventil | Válvula de mando | Manöverventil..... | See group 912, Page 819 |
| 2 | VOE 11172713 | 1 | | | | | Return Line | Conduit Retour..... | Rückaufleitung | Conduct Retorn | Returledning..... | |
| 3 | VOE 13949238 | 1 | | | | | O-ring | Joint Torique | O-Ring | Junta torica | O-ring..... | |
| 4 | VOE 13966146 | 1 | | | | | Plug | Bouchon | Stopfen | Tapon | Plugg..... | |
| 5 | VOE 13964110 | 1 | | | | | Gasket..... | Joint | Dichtung | Junta | Packning..... | |
| 6 | VOE 11172454 | 1 | | | | | Bracket..... | Console | Konsole | Ménsula | Konsol..... | |
| 7 | VOE 13965192 | 2 | | | | | Flange screw..... | Vis à bride | Flanschschraube..... | Torn embridado..... | Flänsskruv..... | |
| 8 | VOE 13960145 | 2 | | | | | Washer..... | Rondelle | Scheibe | Arandela | Bricka..... | |
| 9 | VOE 11410248 | 1 | | | | | Plate | Plaque | Platte | Placa | Platta..... | |
| 10 | VOE 947167 | 4 | | | | | Screw | Vis | Schraube | Tornillo | Skruv..... | M10 x 40 |
| 11 | VOE 13949238 | 1 | | | | | O-ring | Joint Torique | O-Ring | Junta torica | O-ring..... | |
| 12 | VOE 11173032 | 1 | | | | | Hose assembly | Conduit flexible | Schlauchleitung..... | Conducto..... | Slangledning..... | |
| 13 | VOE 932275 | 1 | | | | | •Protecting Plug | •Bouchon Protection .. | •Verschlusskappe..... | •Tapon Proteccion..... | •Skyddsplugg..... | |
| 14 | VOE 13949239 | 1 | | | | | O-ring | Joint Torique | O-Ring | Junta torica | O-ring..... | |
| 15 | VOE 959256 | 4 | | | | | Allen Hd Screw | Vis A 6 Pans Cr..... | Inbusschraube..... | Torn Hex Embut | Insexskruv..... | |
| 16 | VOE 935309 | 2 | | | | | Flange Half..... | Demi-bride | Flanschhälfte..... | Media brida | Flänshalva..... | |
| 17 | VOE 11173017 | 1 | | | | | Attachment..... | Fixation | Halterung..... | Fijacion | Fäste..... | |
| 18 | VOE 11172507 | 1 | | | | | Plate | Plaque | Platte | Placa | Platta..... | |
| 19 | VOE 13946474 | 2 | | | | | Flange screw..... | Vis à bride | Flanschschraube..... | Torn embridado..... | Flänsskruv..... | |
| 20 | VOE 14215719 | 2 | | | | | Half Clamp | Demi-collier | Klemmenhäfte | Mit Abrazadera..... | Klamhalva..... | |
| 21 | VOE 935308 | 2 | | | | | Flange Half..... | Demi-bride | Flanschhälfte..... | Media brida | Flänshalva..... | |
| 22 | | 1 | | | | | Hydr fluid tank..... | Reservoir fluid.hydr. ... | Druckölbehälter | Dep Aceit Hidr | Hydrauloljetank..... | See group 911, Page 793 |

| | | | | |
|---|--|--|-----------------------|------------|
| 1 | | Hydraulsystem, returledning Sistema hidráulico, conducto de retorno Druckölsystem, Rücklaufleitung Système hydraulique, conduit retour Hydraulic system, return line STD, OPEN ROPS | Catalogue id | Group |
| 2 | | | 20007 | 911 |
| 3 | | | Illustr. No | Section |
| 4 | | | 1004257 | 400 |
| 5 | | | Issue | Page |
| | | | VOE 63D9920007 | 811 |

VOLVO

L90E



Volvo Construction
Equipment
1004253

() () () () () () () () ()

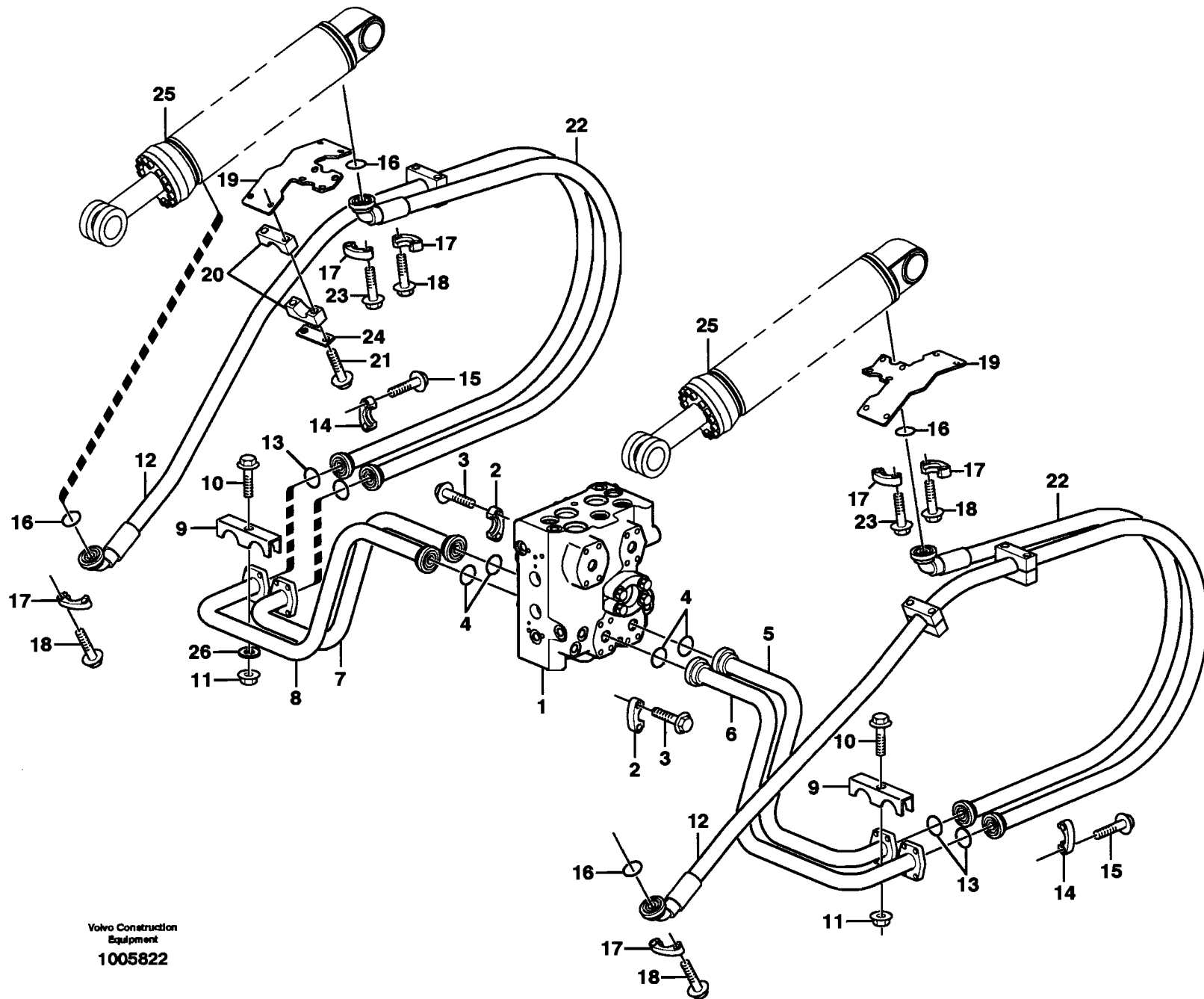
| Fig. | Part No. | Quantity | | | P S | K T | Description | Dénomination | Bezeichnung | Denominación | Benämning | Notes |
|------|---------------------|----------|---|---|--------|-----------------------|------------------------|-----------------------|------------------------|---------------------|-------------------------|-------|
| | | 1 | 2 | 3 | | | | | | | | |
| 1 | | 1 | | | | Control valve | Valve controle | Steuerventil | Válvula control..... | Kontrollventil..... | See group 912, Page 819 | |
| 2 | VOE 11148951 | 1 | | | | Hose assembly | Conduit flexible | Schlauchleitung..... | Conducto..... | Slangledning..... | | |
| 3 | VOE 927503 | ERQ | | | | •Hydraulic Hose | •Flexible Hydra..... | •Druckölschlauch..... | •Conducto Hidr..... | •Hydraulslang..... | | |
| 4 | VOE 4881451 | 2 | | | | Marking Sleeve | Douill.marquage..... | Kennhulse | Manguit Marcaje..... | Märkhylsa..... | YELL | |
| 5 | VOE 4881459 | 2 | | | | Marking Sleeve | Douill.marquage..... | Kennhulse | Manguit Marcaje..... | Märkhylsa..... | BLUE | |
| 6 | VOE 4881438 | 2 | | | | Strip Clamp | Ruban Serrage..... | Kabelbinder | Abraz Cinta | Bandklamma..... | | |
| 7 | | 1 | | | | Footbrake Valve | Robinet Frein A Pied.. | Fussbremsventil | Valvula Freno Pie..... | Fotbromsventil..... | See group 525, Page | |

| | | | | |
|---|--|--|-----------------------|------------|
| 1 | | Dräneringsledning, manöverventil Conducto de drenaje, válvula de mando Abflussleitung, Steuerventil Conduit drainage, vanne de commande Drainage line, control valve STD, OPEN ROPS | Catalogue id | Group |
| 2 | | | 20007 | 911 |
| 3 | | | Illustr. No | Section |
| 4 | | | 1004253 | 450 |
| 5 | | | Issue | Page |
| | | | VOE 63D9920007 | 813 |

VOLVO

L90E





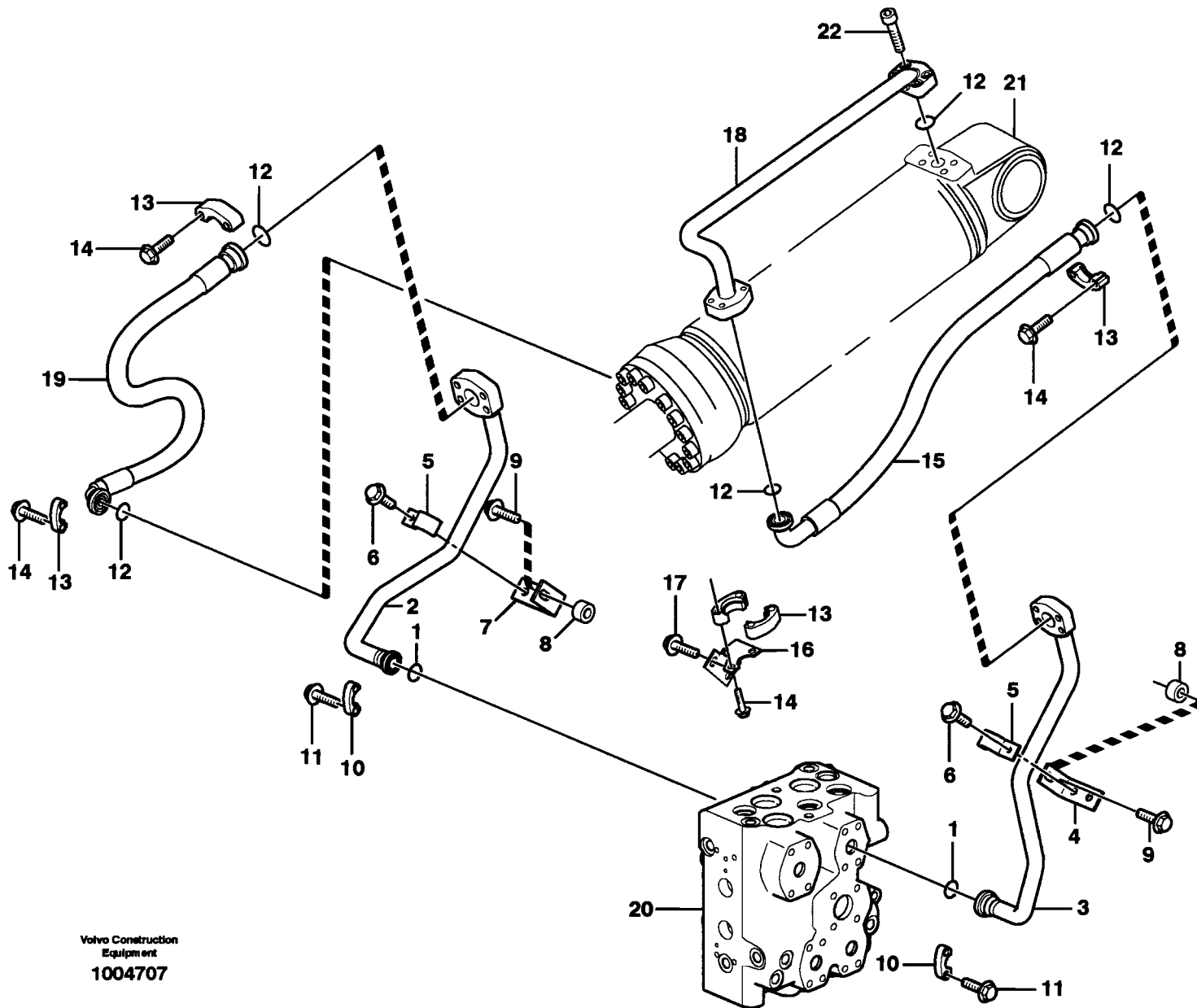
Volvo Construction
Equipment
1005822

| Fig. | Part No. | Quantity | | | P S | K I T | Description | Dénomination | Bezeichnung | Denominación | Benämning | Notes |
|------|--------------|----------|---|---|--------|---------------|--------------------|-----------------|------------------|-----------------|---|-------|
| | | 1 | 2 | 3 | | | | | | | | |
| 1 | | 1 | | | | Control valve | Valve de commande | Steuerventil | Válvula de mando | Manöverventil | See group 912, Page 819 | |
| 2 | | | | | NS | •Flange Half | •Demi-bride | •Flanschhälfte | •Media brida | •Flänshalva | | |
| 3 | | | | | NS | •Screw | •Vis | •Schraube | •Tornillo | •Skruv | | |
| 4 | VOE 13948699 | 4 | | | | O-ring | Joint Torique | O-Ring | Junta torica | O-ring | | |
| 5 | VOE 11172718 | 1 | | | | Feed Line | Cond.alimentat | Druckleitung | Conduct Presion | Tryckledning | LH (+), A2 | |
| 6 | VOE 11172720 | 1 | | | | Feed Line | Cond.alimentat | Druckleitung | Conduct Presion | Tryckledning | LH (-), B2 | |
| 7 | VOE 11172714 | 1 | | | | Feed Line | Cond.alimentat | Druckleitung | Conduct Presion | Tryckledning | RH (+), A2 | |
| 8 | VOE 11172716 | 1 | | | | Feed Line | Cond.alimentat | Druckleitung | Conduct Presion | Tryckledning | RH (-), B2 | |
| 9 | VOE 11172949 | 2 | | | | Clamp | Pince Serrage | Klemme | Abrazadera | Klämma | | |
| 10 | VOE 13965188 | 2 | | | | Flange screw | Vis à bride | Flansschraube | Torn embridado | Flänsskruv | | |
| 11 | VOE 13971098 | 2 | | | | Flange nut | Ecrou accouple | Bundmutter | Tuerca embridad | Flänsmutter | | |
| 12 | VOE 11410311 | 2 | | | | Hose assembly | Conduit flexible | Schlauchleitung | Conducto | Slangledning | | |
| 13 | VOE 14215715 | 4 | | | | Sealing ring | Bague d'étanchéité | Runddichtring | Anillo reten | Tättningsring | | |
| 14 | VOE 14048189 | 8 | | | | Flange Half | Demi-bride | Flanschhälfte | Media brida | Flänshalva | | |
| 15 | VOE 13965226 | 16 | | | | Screw | Vis | Schraube | Tornillo | Skruv | | |
| 16 | VOE 13948699 | 4 | | | | O-ring | Joint Torique | O-Ring | Junta torica | O-ring | | |
| 17 | VOE 935312 | 8 | | | | Flange Half | Demi-bride | Flanschhälfte | Media brida | Flänshalva | | |
| 18 | VOE 13946752 | 12 | | | | Screw | Vis | Schraube | Tornillo | Skruv | | |
| 19 | VOE 11410243 | 2 | | | | Attachment | Fixation | Halterung | Fijacion | Fäste | | |
| 20 | VOE 4785479 | 4 | | | | Clamp | Pince Serrage | Klemme | Abrazadera | Klämma | | |
| 21 | VOE 973871 | 8 | | | | Flange screw | Vis à bride | Flansschraube | Torn embridado | Flänsskruv | | |
| 22 | VOE 11410310 | 2 | | | | Hose assembly | Conduit flexible | Schlauchleitung | Conducto | Slangledning | | |
| 23 | VOE 13965185 | 4 | | | | Flange screw | Vis à bride | Flansschraube | Torn embridado | Flänsskruv | | |
| 24 | VOE 11003050 | 4 | | | | Cover Plate | Protection en tole | Schutzblech | Placa Tapa | Täckplatta | | |
| 25 | | 2 | | | | Hydr Cylinder | Verin Hydraul | Hydraulzylinder | Cilindro Hidrau | Hydraulcylinder | See group 945, Page 905 | |
| 26 | VOE 13960143 | 2 | | | | Washer | Rondelle | Scheibe | Arandela | Bricka | SER NO 20001 - SER NO 70801 - BRAZIL | |

| | | | |
|---|--|-----------------------|------------|
| 1 | Hydraulsystem, lyftfunktion Sistema hidráulico, función de elevación Druckölsystem, Hubhydraulik Système hydraulique, relevage hydraulique Hydraulic system, lift function STD, OPEN ROPS | Catalogue id | Group |
| 2 | | 20007 | 911 |
| 3 | | Illustr. No | Section |
| 4 | | 1005822 | 500 |
| 5 | | Issue | Page |
| | | VOE 63D9920007 | 815 |

VOLVO

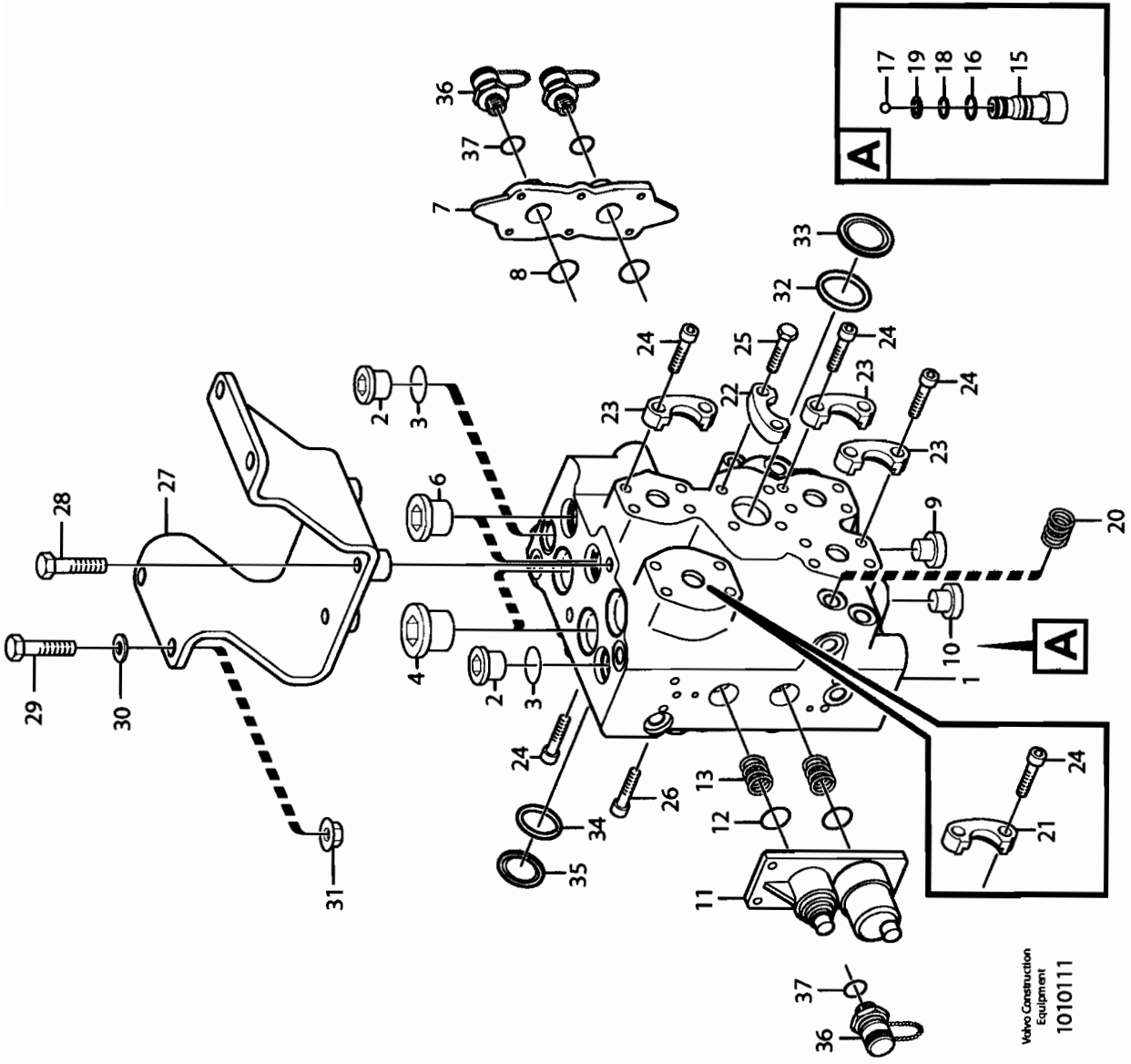
L90E



Volvo Construction
 Equipment
 1004707

| Fig. | Part No. | Quantity | | | P S | K I T | Description | Dénomination | Bezeichnung | Denominación | Benämning | Notes |
|------|--------------|----------|---|---|--------|----------------|--------------------|-----------------|----------------------|-----------------|-------------------------|-------|
| | | 1 | 2 | 3 | | | | | | | | |
| 1 | VOE 13948699 | 2 | | | | O-ring | Joint Torique | O-Ring | Junta torica | O-ring | | |
| 2 | VOE 11172722 | 1 | | | | Feed Line | Cond.alimentat. | Druckleitung | Conduct Presion | Tryckledning | TILT + | |
| 3 | VOE 11172724 | 1 | | | | Feed Line | Cond.alimentat. | Druckleitung | Conduct Presion | Tryckledning | TILT - | |
| 4 | VOE 11173399 | 1 | | | | Attachment | Fixation | Halterung | Fijacion | Fäste | | |
| 5 | VOE 11075841 | 2 | | | | Clamp | Pince Serrage | Klemme | Abrazadera | Klämma | | |
| 6 | VOE 946441 | 2 | | | | Flange screw | Vis à bride | Flanschschraube | Torn embridado | Flänsskruv | | |
| 7 | VOE 11173420 | 1 | | | | Attachment | Fixation | Halterung | Fijacion | Fäste | | |
| 8 | VOE 11025923 | 2 | | | | Spacer | Entretoise | Abstandstueck | Casquillo distanciad | Distans | | |
| 9 | VOE 13965192 | 2 | | | | Flange screw | Vis à bride | Flanschschraube | Torn embridado | Flänsskruv | | |
| 10 | VOE 14048189 | 4 | | | | Flange Half | Demi-bride | Flanschhälfte | Media brida | Flänshalva | | |
| 11 | VOE 13959258 | 8 | | | | Allen Hd Screw | Vis A 6 Pans Cr | Inbusschraube | Torn Hex Embut | Insexskriv | | |
| 12 | VOE 14215715 | 5 | | | | Sealing ring | Bague d'étanchéité | Runddichtring | Anillo reten | Tättningsring | | |
| 13 | VOE 14048189 | 8 | | | | Flange Half | Demi-bride | Flanschhälfte | Media brida | Flänshalva | | |
| 14 | VOE 13959258 | 16 | | | | Allen Hd Screw | Vis A 6 Pans Cr | Inbusschraube | Torn Hex Embut | Insexskriv | | |
| 15 | VOE 935889 | 1 | | | | Hose assembly | Conduit flexible | Schlauchleitung | Conducto | Slangledning | | |
| 16 | VOE 11410319 | 1 | | | | Anchorage | Fixation | Halterung | Fijacion | Fäste | | |
| 17 | VOE 13946817 | 2 | | | | Screw | Vis | Schraube | Tornillo | Skriv | | |
| 18 | VOE 11410320 | 1 | | | | Feed Line | Cond.alimentat. | Druckleitung | Conduct Presion | Tryckledning | | |
| 19 | VOE 935889 | 1 | | | | Hose assembly | Conduit flexible | Schlauchleitung | Conducto | Slangledning | | |
| 20 | | 1 | | | | Control valve | Valve de commande | Steuerventil | Válvula de mando | Manöverventil | See group 912, Page 819 | |
| 21 | | 1 | | | | Hydr Cylinder | Verin Hydrauli | Hydraulzylinder | Cilindro Hidrau | Hydraulcylinder | See group 945, Page 907 | |
| 22 | VOE 13959258 | 4 | | | | Allen Hd Screw | Vis A 6 Pans Cr | Inbusschraube | Torn Hex Embut | Insexskriv | | |

| | | | | |
|---|--|---|-----------------------|------------|
| 1 | | Hydraulsystem, tiltfunktion | Catalogue id | Group |
| 2 | | Sistema hidráulico, función de inclinación | 20007 | 911 |
| 3 | | Druckölsystem, Schwenkhydraulik | Illustr. No | Section |
| 4 | | Système hydraulique, culbutage hydraulique | 1004707 | 550 |
| 5 | | Hydraulic system, tilt function | Issue | Page |
| | | STD, OPEN ROPS | VOE 63D9920007 | 817 |



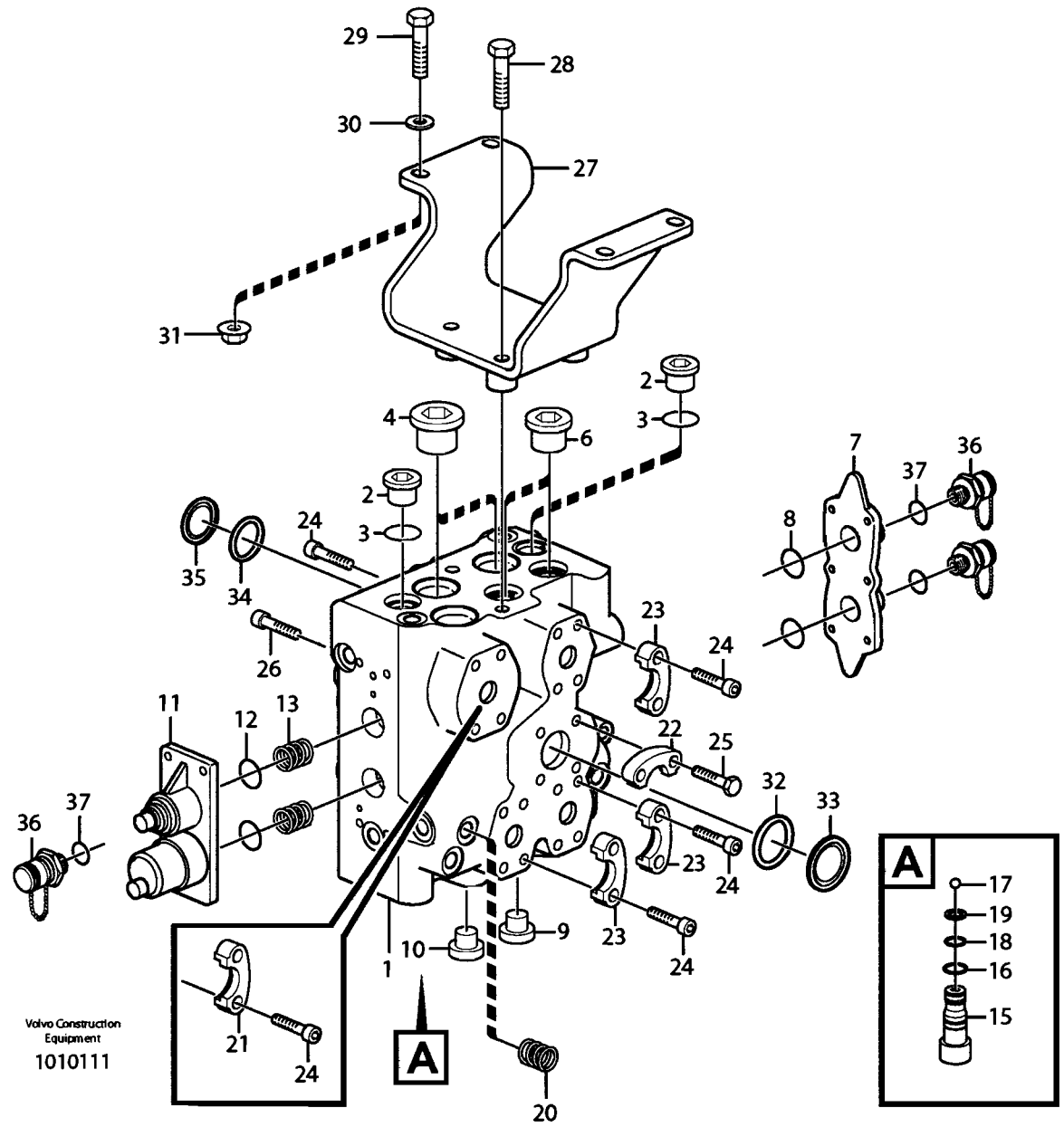
Vehicle Construction
Equipment
1010111

| Fig. | Part No. | Quantity | | | | | P S | K I T | Description | Dénomination | Bezeichnung | Denominación | Benämning | Notes |
|------|---------------|----------|---|---|---|---|--------|-----------------------|------------------------|------------------------|------------------------|---------------------|-----------|-------|
| | | 1 | 2 | 3 | 4 | 5 | | | | | | | | |
| 1 | VOE 11172246 | 1 | | | | | | Control valve..... | Valve controle | Steuerventil..... | Válvula control..... | Kontrollventil..... | | |
| 2 | VOE 11172703 | 3 | | | | | | •Sequence Valve | •Valve Sequenti | •Folgesch Ventil | •Valvula Secuenc ... | •Sekvensventil..... | | |
| 3 | VOE 11172704 | 1 | | | | | | •Sealing Kit | •Jeu Joints..... | •Dichtungssatz..... | •Juego Retenes..... | •Tätningssats..... | | |
| 4 | VOE 11172705 | 3 | | | | | | •Check valve | •Valve antiretour..... | •Rückschlagventil.... | •Válvula de retenció | •Backventil..... | | |
| 5 | VOE 11172706 | 1 | | | | | | •Delivery Valve | •Soup.refouleme..... | •Druckventil..... | •Valvula Presion | •Tryckventil..... | | |
| 6 | VOE 11172312 | 2 | | | | | | •Shock Valve | •Soupa.antichocs ... | •Schockventil | •Valvula Control..... | •Chockventil..... | | |
| 7 | VOE 11172707 | 1 | | | | | | •Cover | •Capot | •Haube | •Capo..... | •Huv..... | | |
| 8 | VOE 11172708 | 1 | | | | | | •Sealing Kit | •Jeu Joints..... | •Dichtungssatz..... | •Juego Retenes..... | •Tätningssats..... | | |
| 9 | VOE 111713148 | 1 | | | | | | •Shock Valve | •Soupa.antichocs ... | •Schockventil | •Valvula Control..... | •Chockventil..... | | |
| 10 | VOE 11172709 | 1 | | | | | | •Valve | •Soupape..... | •Ventil..... | •Valvula | •Ventil..... | | |
| 11 | VOE 11172358 | 1 | | | | | | •Cover | •Capot | •Haube | •Capo..... | •Huv..... | | |
| 12 | VOE 11172708 | 1 | | | | | | •Sealing Kit | •Jeu Joints..... | •Dichtungssatz..... | •Juego Retenes..... | •Tätningssats..... | | |
| 13 | VOE 11172710 | 2 | | | | | | •Spring Kit | •Jeu Ressorts | •Federsatz..... | •Juego Resortes | •Fjädersats..... | | |
| 14 | VOE 11172711 | 1 | | | | | | •Check valve | •Valve antiretour..... | •Rückschlagventil.... | •Válvula de retenció | •Backventil..... | | |
| 15 | VOE 11120104 | 1 | | | | | | •Shuttle Valve | •Valve Navette..... | •Wechselventil | •Valv Lanzadera | •Skyttelventil..... | | |
| 16 | VOE 13949657 | 1 | | | | | | •O-ring | •Joint Torique | •O-Ring | •Junta torica | •O-ring..... | | |
| 17 | VOE 192601 | 1 | | | | | | •Ball | •Bille | •Kugel | •Bola..... | •Kula..... | | |
| 18 | VOE 955972 | 1 | | | | | | •O-ring | •Joint Torique | •O-Ring | •Junta torica | •O-ring..... | | |
| 19 | VOE 13962531 | 2 | | | | | | •Back-up ring | •Rondelle anti-extr. | •Stützring | •Anillo Apoyo | •Stödring..... | | |
| 20 | VOE 11172712 | 1 | | | | | | •Spring | •Ressort..... | •Feder | •Muelle..... | •Fjäder..... | | |
| 21 | VOE 935308 | 2 | | | | | | •Flange Half | •Demi-bride | •Flanschhälfte | •Media brida | •Flänshalva..... | | |
| 22 | VOE 11015455 | 4 | | | | | | •Flange Half | •Demi-bride | •Flanschhälfte | •Media brida | •Flänshalva..... | | |
| 23 | VOE 11015454 | 14 | | | | | | •Flange Half | •Demi-bride | •Flanschhälfte | •Media brida | •Flänshalva..... | | |
| 24 | VOE 959240 | 32 | | | | | | •Allen Hd Screw | •Vis A 6 Pans Cr..... | •Inbusschraube | •Torn Hex Embut.... | •Insexskruv..... | | |
| 25 | VOE 13965193 | 4 | | | | | | •Screw | •Vis | •Schraube | •Tornillo | •Skruv..... | | |
| 26 | VOE 13959258 | 4 | | | | | | •Allen Hd Screw | •Vis A 6 Pans Cr..... | •Inbusschraube | •Torn Hex Embut.... | •Insexskruv..... | | |
| 27 | VOE 11173129 | 1 | | | | | | Bracket..... | Console | Konsole..... | Ménsula..... | Konsol..... | | |
| 28 | VOE 13965193 | 3 | | | | | | Screw..... | Vis | Schraube | Tornillo..... | Skruv..... | | |
| 29 | VOE 13965194 | 4 | | | | | | Flange screw | Vis à bride | Flansschraube | Torn embridado | Flänsskruv..... | | |
| 30 | VOE 13960145 | 4 | | | | | | Washer | Rondelle | Scheibe..... | Arandela | Bricka..... | | |

| | | | | |
|---|--|---|-----------------------|------------|
| 1 | | Manöverventil med monteringsdetaljer. Válvula de mando con piezas se montaje. Steuerventil mit Anbauteilen. Valve de commande avec pièces de montage. Control valve with fitting parts. STD, OPEN ROPS | Catalogue id | Group |
| 2 | | | 20007 | 912 |
| 3 | | | Illustr. No | Section |
| 4 | | | 1010111 | 100 |
| 5 | | | Issue | Page |
| | | | VOE 63D9920007 | 819 |

VOLVO

L90E



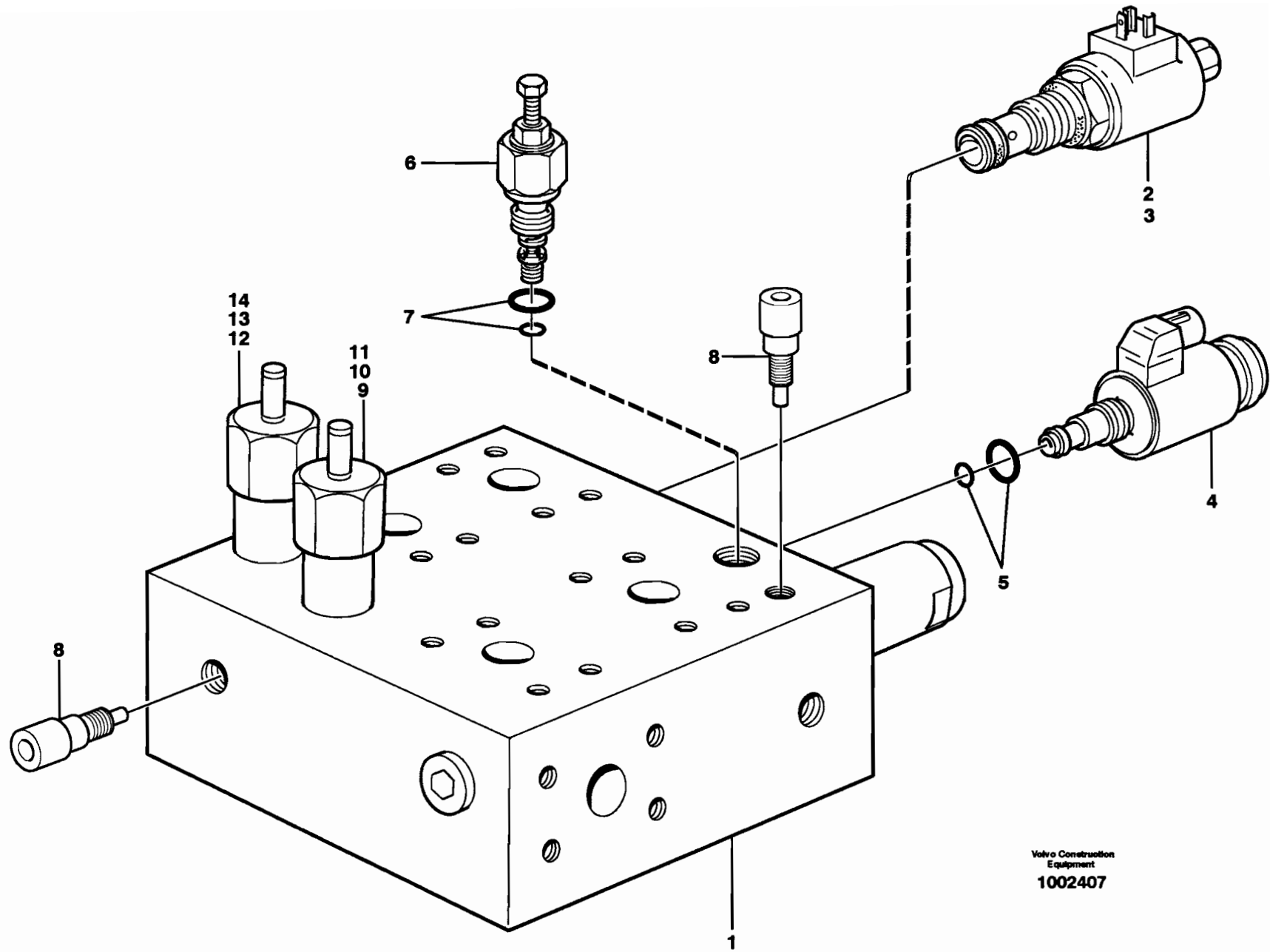
Valvo Construction
Equipment
1010111

| Fig. | Part No. | Quantity | | | | | P S | K T | Description | Dénomination | Bezeichnung | Denominación | Benämning | Notes |
|------|--------------|----------|---|---|---|---|--------|---------------------|-----------------------|--------------------|---------------------|-------------------|---------------------------|-------|
| | | 1 | 2 | 3 | 4 | 5 | | | | | | | | |
| 31 | VOE 13971096 | 4 | | | | | | Flange nut..... | Ecrou accouple. | Bundmutter | Tuerca embridad ... | Flänsmutter..... | | |
| 32 | VOE 14215715 | 1 | | | | | | Sealing ring..... | Bague d'étanchéité. | Runddichtring..... | Anillo reten | Tätningsring..... | | |
| 33 | VOE 11172549 | 1 | | | | | | Plug..... | Bouchon | Stopfen | Tapon | Plugg..... | | |
| 34 | VOE 13948699 | 1 | | | | | | O-ring..... | Joint Torique | O-Ring | Junta torica..... | O-ring..... | | |
| 35 | VOE 11147234 | 1 | | | | | | Plug..... | Bouchon | Stopfen | Tapon | Plugg..... | | |
| 36 | VOE 936444 | 3 | | | | | | Testing Nipple..... | Raccord contrôle | Prufnippel..... | Niple Medicion..... | Mätnippel..... | (VOE 13933251) A1, A2, B1 | |
| 37 | VOE 13960213 | 3 | | | | | | •O-ring | •Joint Torique | •O-Ring | •Junta torica..... | •O-ring..... | | |

| | | | |
|---|---|-----------------------|------------|
| 1 | Manöverventil med monteringsdetaljer. Válvula de mando con piezas se montaje. Steuerventil mit Anbauteilen. Valve de commande avec pièces de montage. Control valve with fitting parts. STD, OPEN ROPS | Catalogue id | Group |
| 2 | | 20007 | 912 |
| 3 | | Illustr. No | Section |
| 4 | | 1010111 | 100 |
| 5 | | Issue | Page |
| | | VOE 63D9920007 | 821 |

VOLVO

L90E



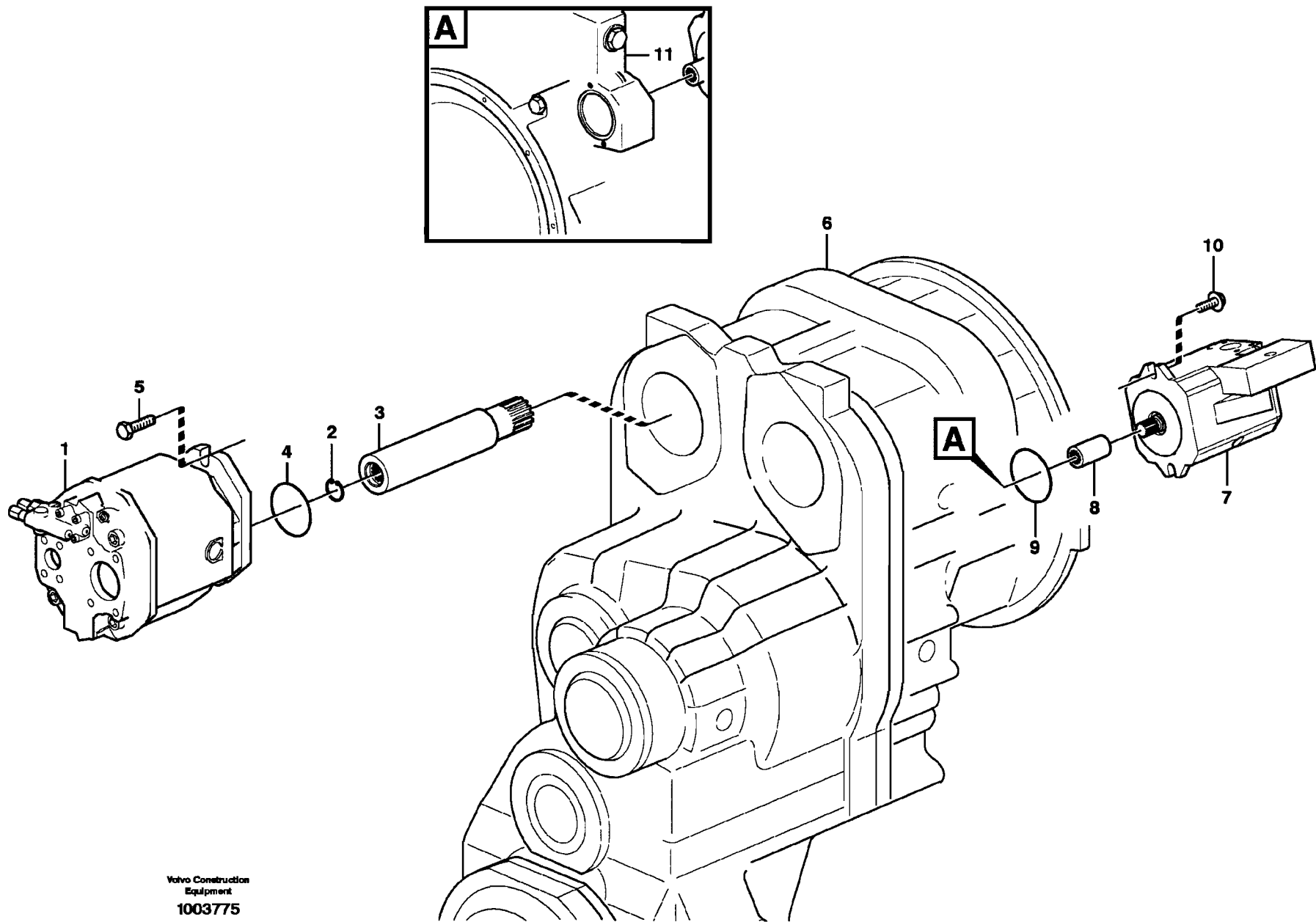
Volvo Construction
Equipment
1002407

| Fig. | Part No. | Quantity | | | P S | K I T | Description | Dénomination | Bezeichnung | Denominación | Benämning | Notes |
|------|--------------|----------|---|---|--------|------------------------|------------------------|------------------------|-------------------------|----------------------|---|-------|
| | | 1 | 2 | 3 | | | | | | | | |
| 1 | VOE 11410033 | 1 | | | | Valve assembly | Bloc-soupape | Ventilgruppe | Bloque de valvula | Ventilblock..... | | |
| | VOE 11410034 | 1 | | | | Valve Body | Corps Valve | Ventilkörper | Cuerpo Valvula..... | Ventilkropp..... | S/N 20642 -, 66387 - USA , 70860 - BRA 33286 S/N 6000 - USA | |
| 2 | VOE 11709633 | 1 | | | | •Solenoid valve | •Vanne electrom..... | •Magnetventil..... | •Electrovalvula..... | •Magnetventil..... | MA502 | |
| 3 | VOE 11709880 | 1 | | | | •••Sealing Kit..... | •••Jeu Joints | •••Dichtungssatz..... | •••Juego Retenes | •••Tätningssats..... | | |
| 4 | VOE 11709879 | 1 | | | | •Press Regulator | •Regulateu Press | •Druckregler | •Regul Presion | •Tryckregulator..... | MA202 | |
| 5 | VOE 11709881 | 1 | | | | •••Sealing Kit..... | •••Jeu Joints | •••Dichtungssatz..... | •••Juego Retenes | •••Tätningssats..... | | |
| 6 | VOE 11705961 | 1 | | | | •Pr Limit Valve | •Limita.pression..... | •Druckbeg.ventil | •Valv Limit Pres | •Begr.ventil..... | | |
| 7 | VOE 11704530 | 1 | | | | •••Sealing Kit..... | •••Jeu Joints | •••Dichtungssatz..... | •••Juego Retenes | •••Tätningssats..... | | |
| 8 | VOE 11707564 | 2 | | | | •Shuttle Valve | •Valve Navette | •Wechselventil..... | •Valv Lanzadera | •Skyttelventil..... | | |
| 9 | VOE 11709882 | 1 | | | | •Press Regulator | •Regulateu Press | •Druckregler | •Regul Presion | •Tryckregulator..... | | |
| 10 | VOE 11709861 | 1 | | | | ••Reducing Valve | ••Soupape Reduc..... | ••Reduzierventil..... | ••Valv Reductora | ••Reducerventil..... | | |
| 11 | VOE 11709883 | 1 | | | | •••Sealing Kit..... | •••Jeu Joints | •••Dichtungssatz..... | •••Juego Retenes | •••Tätningssats..... | | |
| 12 | VOE 11709884 | 1 | | | | •Press Regulator | •Regulateu Press | •Druckregler | •Regul Presion | •Tryckregulator..... | | |
| 13 | VOE 11709861 | 1 | | | | ••Reducing Valve | ••Soupape Reduc..... | ••Reduzierventil..... | ••Valv Reductora | ••Reducerventil..... | | |
| 14 | VOE 11709883 | 1 | | | | •••Sealing Kit..... | •••Jeu Joints | •••Dichtungssatz..... | •••Juego Retenes | •••Tätningssats..... | | |

| | | | | |
|---|--|--|----------------|------------|
| 1 | | Ventilblock: Centralblock Bloque de válvulas Ventilgruppe: Zentralblock Bloc-soupapes: Central Bloc Valve body: Centralblock STD, OPEN ROPS | Catalogue id | Group |
| 2 | | | 20007 | 912 |
| 3 | | | Illustr. No | Section |
| 4 | | | 1002407 | 300 |
| 5 | | | Issue | Page |
| | | | VOE 63D9920007 | 823 |

VOLVO

L90E



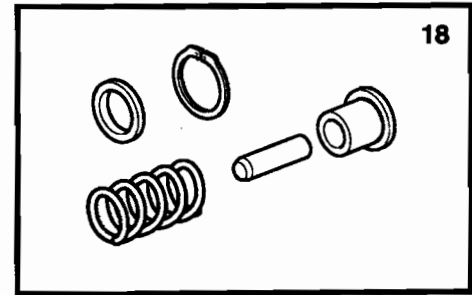
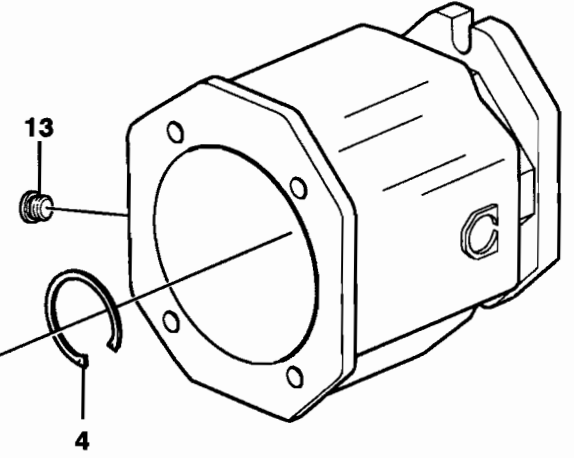
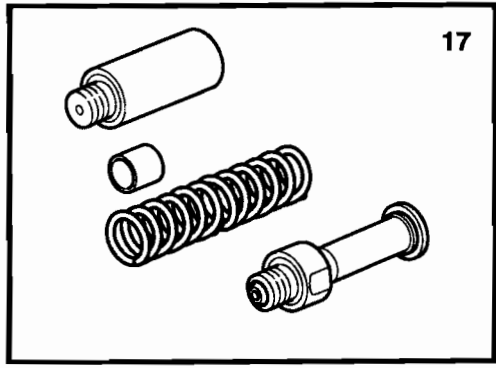
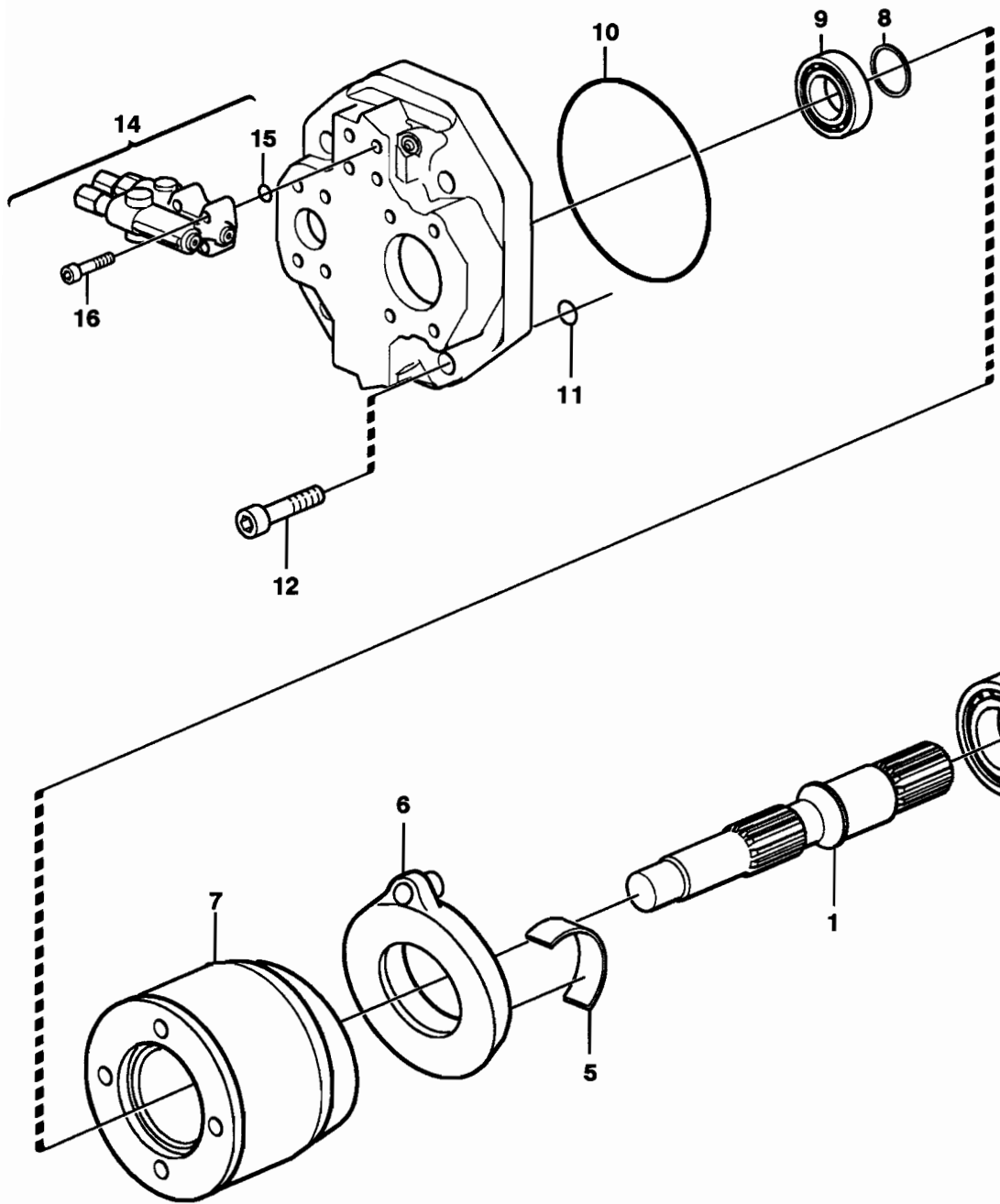
Volvo Construction
Equipment
1003775

| Fig. | Part No. | Quantity | | | P S | K I T | Description | Dénomination | Bezeichnung | Denominación | Benämning | Notes |
|------|--------------|----------|---|---|--------|---------------------|-----------------------|-----------------------|-----------------------|------------------|-------------------------|-------|
| | | 1 | 2 | 3 | | | | | | | | |
| 1 | | 1 | | | | Hydraulic Pump..... | Pompe Hydraulique ... | Hydraulikpumpe | Bomba Hidraulica..... | Hydraulpump..... | See group 913, Page 827 | |
| 2 | VOE 914515 | 1 | | | | Snap Ring..... | Circlip..... | Nutring..... | Circlip..... | Spårring..... | | |
| 3 | VOE 11038380 | 1 | | | | Shaft..... | Arbre..... | Welle..... | Arbol..... | Axel..... | | |
| 4 | VOE 960242 | 1 | | | | O-ring..... | Joint Torique | O-Ring..... | Junta torica..... | O-ring..... | | |
| 5 | VOE 968435 | 2 | | | | Flange screw..... | Vis à bride | Flanschschraube | Torn embridado..... | Flänsskruv..... | | |
| 6 | | 1 | | | | Housing..... | Carter..... | Gehäuse..... | Carter..... | Hus..... | See group 434, Page 447 | |
| 7 | | 1 | | | | Hydraulic Pump..... | Pompe Hydraulique ... | Hydraulikpumpe | Bomba Hidraulica..... | Hydraulpump..... | See group 913, Page 829 | |
| 8 | VOE 11173159 | 1 | | | | Drive Sleeve..... | Mancho.commande ... | Antriebsnabe | Manguito Propul..... | Drivhylsa..... | | |
| 9 | VOE 11173158 | 1 | | | | Seal..... | Joint | Dichtring | Junta | Tätning..... | | |
| 10 | VOE 965225 | 2 | | | | Flange screw..... | Vis à bride | Flanschschraube | Torn embridado..... | Flänsskruv..... | | |
| 11 | | 1 | | | | Engine..... | Moteur..... | Verbrenn Motor | Motor | Motor..... | See group 212, Page 51 | |

| | | | | |
|---|--|--|----------------|------------|
| 1 | | Hydraulpump med monteringsdetaljer | Catalogue id | Group |
| 2 | | Bomba hidráulica con accesorios de montaje | 20007 | 913 |
| 3 | | Druckölpumpe mit Anbauteilen | Illustr. No | Section |
| 4 | | Pompe hydraulique avec pièces de montage | 1003775 | 100 |
| 5 | | Hydraulic pump with fitting parts | Issue | Page |
| | | STD, OPEN ROPS | VOE 63D9920007 | 825 |

VOLVO

L90E



Valvo Construction
Equipment
1004374

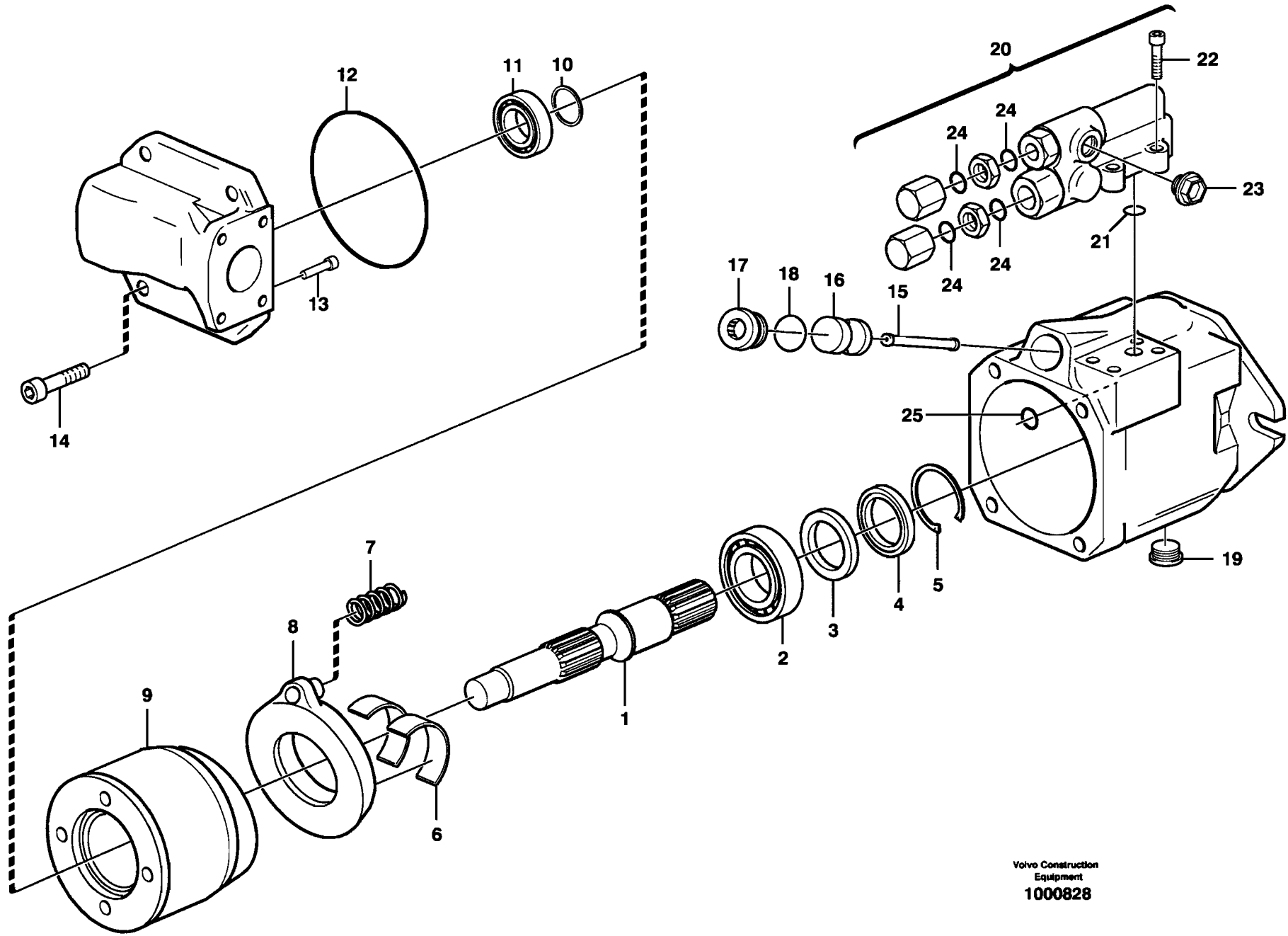
((((((((

| Fig. | Part No. | Quantity | | | P S | K I T | Description | Dénomination | Bezeichnung | Denominación | Benämning | Notes |
|------|--------------|----------|---|---|--------|-------------|-----------------------|-------------------------|------------------------|--------------------------|----------------------|-------|
| | | 1 | 2 | 3 | | | | | | | | |
| | VOE 11172710 | 1 | | | | | Hydraulic Pump..... | Pompe Hydraulique ... | Hydraulikpumpe | Bomba Hidraulica | Hydraulpump..... | 100CC |
| 1 | VOE 11709857 | 1 | | | | | •Drive Shaft..... | •Arbre transmission.... | •Antriebswelle..... | •Arbol de cde..... | •Drivaxel..... | |
| 2 | VOE 11997155 | 1 | | | | | •Bearing | •Palier..... | •Lager..... | •Cojinete..... | •Lager..... | |
| 3 | VOE 11997157 | 1 | | | | | •Sealing ring..... | •Bague d'étanchéité.. | •Runddichtring..... | •Anillo reten | •Tätningsring..... | |
| 4 | VOE 11708748 | 1 | | | | | •Lock Ring..... | •Anneau Verrouillage.. | •Schlossring | •Anillo Segurid..... | •Låsring..... | |
| 5 | VOE 11997156 | 2 | | | | | •Bearing | •Palier..... | •Lager..... | •Cojinete..... | •Lager..... | |
| 6 | VOE 11709856 | 1 | | | | | •Yoke | •Chape | •Joch | •Horquilla..... | •Gaffel..... | |
| 7 | VOE 11709854 | 1 | | | | | •Pump element | •Element Pompe | •Pumpenelement..... | •Elemento Bomba | •Pumpelement..... | |
| 8 | VOE 11708742 | 1 | | | | | •Shim | •Cale d'épaisseur | •Passscheibe | •Arandela Ajuste..... | •Passbricka..... | |
| 9 | VOE 11708744 | 1 | | | | | •Roller Bearing..... | •Roulement rouleaux.. | •Rollenlager..... | •Cojinete Rodillo..... | •Rullager..... | |
| 10 | VOE 11709859 | 1 | | | | | •O-ring..... | •Joint Torique | •O-Ring..... | •Junta torica | •O-ring..... | |
| 11 | VOE 3583078 | 4 | | | | | •O-ring..... | •Joint Torique | •O-Ring..... | •Junta torica | •O-ring..... | |
| 12 | VOE 973574 | 4 | | | | | •Allen Hd Screw | •Vis A 6 Pans Cr | •Inbusschraube | •Torn Hex Embut..... | •Insexskruv..... | |
| 13 | VOE 11709860 | 1 | | | | | •Plug | •Bouchon..... | •Stopfen | •Tapon..... | •Plugg..... | |
| 14 | VOE 11708251 | 1 | | | | | •Control valve..... | •Valve controle | •Steuerventil..... | •Válvula control | •Kontrollventil..... | |
| 15 | VOE 982994 | 3 | | | | | ••O-ring | ••Joint Torique..... | ••O-Ring | ••Junta torica | ••O-ring..... | |
| 16 | VOE 13974079 | 4 | | | | | ••Allen Hd Screw..... | ••Vis A 6 Pans Cr | ••Inbusschraube | ••Torn Hex Embut..... | ••Insexskruv..... | |
| 17 | VOE 11709855 | 1 | | | | | •Control Unit..... | •Unité de commande.. | •Steuereinheit..... | •Unidad de mando..... | •Reglerenhet..... | |
| 18 | VOE 11706189 | 1 | | | | | •Check valve | •Valve antiretour..... | •Rückschlagventil..... | •Válvula de retención .. | •Backventil..... | |

| | | | | |
|---|--|-------------------|----------------|---------|
| 1 | | Hydraulpump | Catalogue id | Group |
| 2 | | Bomba hidráulica | 20007 | 913 |
| 3 | | Hydraulikpumpe | Illustr. No | Section |
| 4 | | Pompe hydraulique | 1004374 | 150 |
| 5 | | Hydraulic pump | Issue | Page |
| | | STD, OPEN ROPS | VOE 63D9920007 | 827 |

VOLVO

L90E



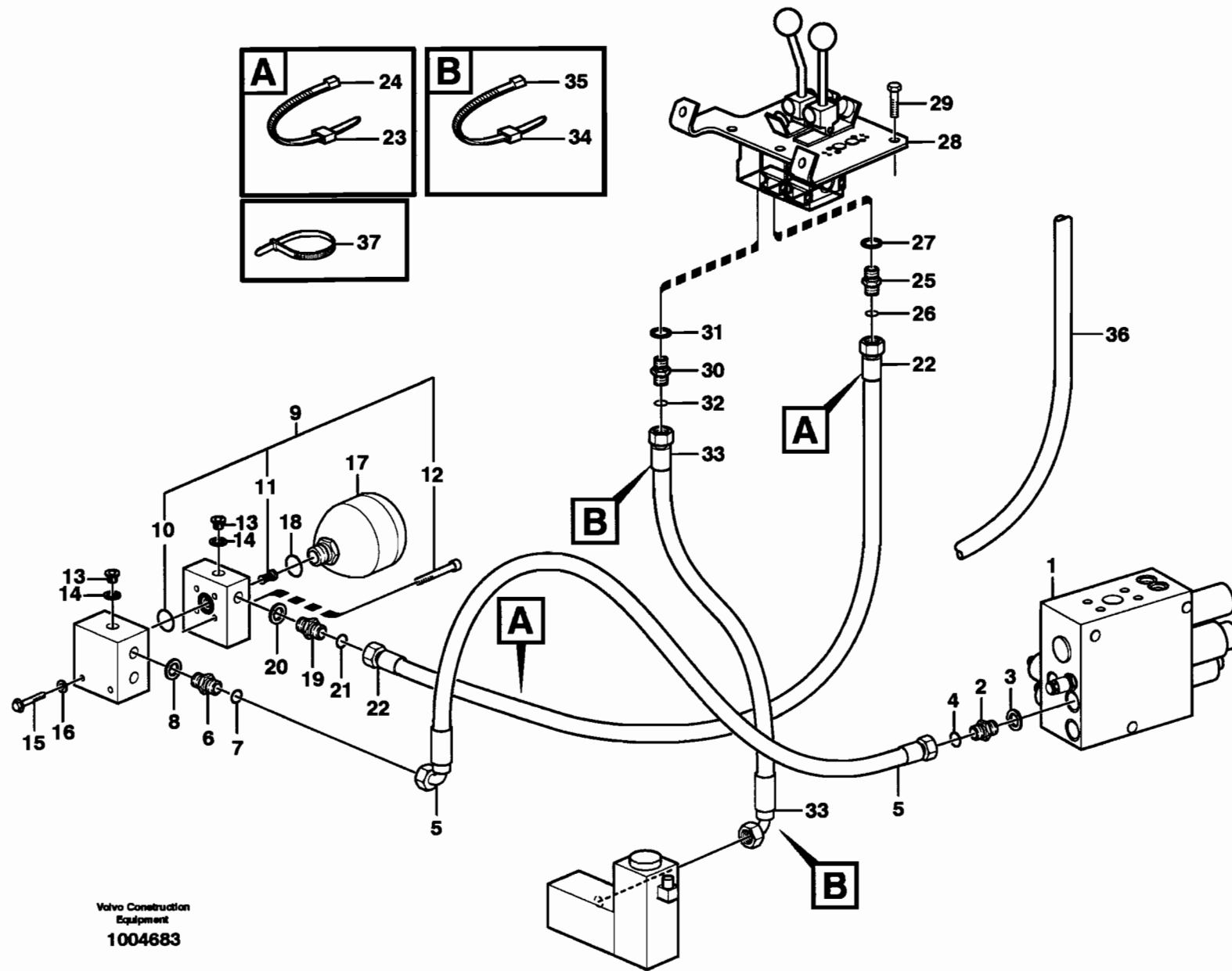
Volvo Construction
Equipment
1000828

| Fig. | Part No. | Quantity | | | P S | K I T | Description | Dénomination | Bezeichnung | Denominación | Benämning | Notes |
|------|--------------|----------|---|---|--------|-------------|------------------------|-------------------------|------------------------|--------------------------|--------------------|----------------|
| | | 1 | 2 | 3 | | | | | | | | |
| | VOE 11172358 | 1 | | | | | Hydraulic Pump..... | Pompe Hydraulique ... | Hydraulikpumpe | Bomba Hidraulica | Hydraulpump..... | 18CC |
| 1 | VOE 11708082 | 1 | | | | | •Drive Shaft..... | •Arbre transmission ... | •Antriebswelle..... | •Arbol de cde | •Drivaxel..... | |
| 2 | VOE 11704547 | 1 | | | | | •Roller Bearing | •Roulement rouleaux.. | •Rollenlager | •Cojinet Rodillo | •Rullager..... | |
| 3 | VOE 11708754 | 1 | | | | | •Stop Ring | •Bague Butee | •Anschlagring | •Anillo Tope | •Anslagsring..... | |
| 4 | VOE 11704551 | 1 | | | | | •Sealing ring..... | •Bague d'étanchéité ... | •Runddichtring..... | •Anillo reten | •Tätningsring..... | |
| 5 | VOE 11708755 | 1 | | | | | •Lock Ring | •Anneau Verrouillage .. | •Schlossring | •Anillo Segurid | •Låsring..... | |
| 6 | VOE 11704549 | 2 | | | | | •Bearing | •Palier..... | •Lager | •Cojinete | •Lager..... | |
| 7 | VOE 11704541 | 1 | | | | | •Spring | •Ressort | •Feder..... | •Muelle | •Fjäder..... | |
| 8 | VOE 11708129 | 1 | | | | | •Yoke | •Chape | •Joch | •Horquilla | •Gaffel..... | |
| 9 | VOE 11704535 | 1 | | | | | •Pump element | •Element Pompe | •Pumpenelement..... | •Elemento Bomba | •Pumpelement..... | |
| 10 | VOE 11708084 | 1 | | | | | •Shim | •Cale Reglage | •Nachstellblech..... | •Cuna de calzar | •Justerbleck..... | |
| 11 | VOE 11704546 | 1 | | | | | •Roller Bearing | •Roulement rouleaux.. | •Rollenlager | •Cojinet Rodillo | •Rullager..... | (VOE 11708085) |
| 12 | VOE 11704553 | 1 | | | | | •O-ring..... | •Joint Torique | •O-Ring..... | •Junta torica | •O-ring..... | |
| 13 | VOE 11706189 | 1 | | | | | •Check valve | •Valve antiretour..... | •Rückschlagventil..... | •Válvula de retención .. | •Backventil..... | |
| 14 | VOE 11704557 | 4 | | | | | •Allen Hd Screw | •Vis A 6 Pans Cr | •Inbusschraube | •Torn Hex Embut..... | •Insexskruv..... | |
| 15 | VOE 11704538 | 1 | | | | | •Piston rod | •Bielle de piston | •Kolbenstange..... | •Biela de piston | •Kolvstång..... | |
| 16 | VOE 11703833 | 1 | | | | | •Piston..... | •Piston..... | •Kolben..... | •Piston | •Kolv..... | |
| 17 | VOE 11708753 | 1 | | | | | •Plug | •Bouchon..... | •Stopfen | •Tapon..... | •Plugg..... | |
| 18 | VOE 11708231 | 1 | | | | | •O-ring..... | •Joint Torique | •O-Ring..... | •Junta torica | •O-ring..... | |
| 19 | VOE 11704559 | 1 | | | | | •Plug | •Bouchon..... | •Stopfen | •Tapon..... | •Plugg..... | |
| 20 | VOE 11998863 | 1 | | | | | •Valve..... | •Soupape | •Ventil | •Valvula | •Ventil..... | |
| 21 | VOE 11708087 | 3 | | | | | ••O-ring | ••Joint Torique..... | ••O-Ring | ••Junta torica | ••O-ring..... | |
| 22 | VOE 13974079 | 4 | | | | | ••Allen Hd Screw | ••Vis A 6 Pans Cr | ••Inbusschraube | ••Torn Hex Embut..... | ••Insexskruv..... | |
| 23 | VOE 11992833 | 1 | | | | | ••Plug | ••Bouchon | ••Stopfen | ••Tapon..... | ••Plugg..... | |
| 24 | VOE 7190187 | 4 | | | | | ••O-ring | ••Joint Torique..... | ••O-Ring | ••Junta torica | ••O-ring..... | |
| 25 | VOE 11708257 | 1 | | | | | •O-ring..... | •Joint Torique..... | •O-Ring..... | •Junta torica | •O-ring..... | |

| | | | | |
|---|--|-------------------|----------------|---------|
| 1 | | Hydraulpump | Catalogue id | Group |
| 2 | | Bomba hidráulica | 20007 | 913 |
| 3 | | Hydraulikpumpe | Illustr. No | Section |
| 4 | | Pompe hydraulique | 1000828 | 200 |
| 5 | | Hydraulic pump | Issue | Page |
| | | STD, OPEN ROPS | VOE 63D9920007 | 829 |

VOLVO

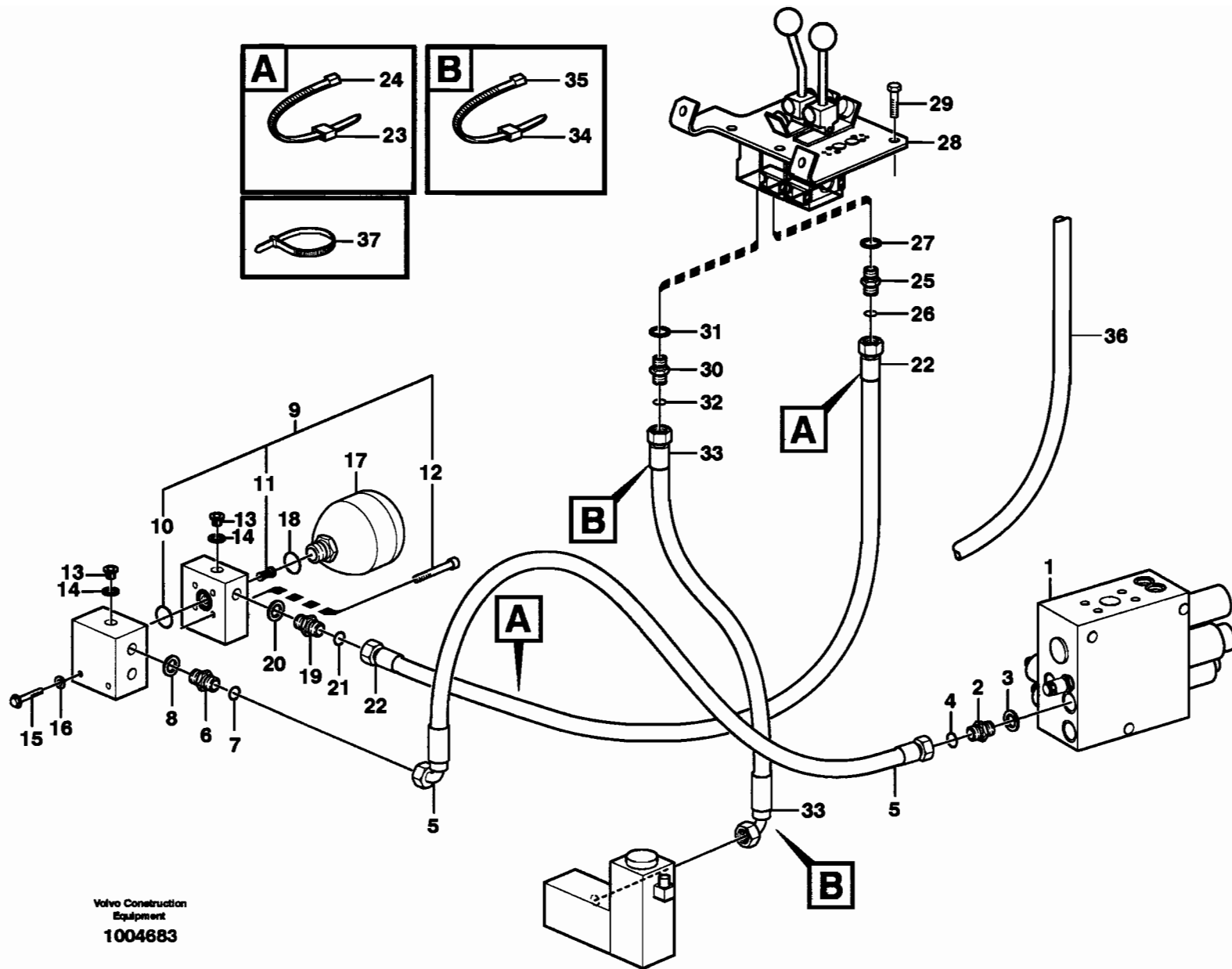
L90E



Volvo Construction
 Equipment
 1004683

| Fig. | Part No. | Quantity | | | P S | K I T | Description | Dénomination | Bezeichnung | Denominación | Benämning | Notes |
|------|--------------|----------|---|---|--------|-----------------------|---------------------------|-------------------------|-----------------------------|--------------------|-------------------------|-------|
| | | 1 | 2 | 3 | | | | | | | | |
| 1 | | 1 | | | | Valve block..... | Bloc-soupape | Ventilblock..... | Bloque de valvula | Ventilblock..... | See group 912, Page 823 | |
| 2 | VOE 13933855 | 1 | | | | Nipple..... | Raccord..... | Nippel..... | Niple..... | Nippel..... | | |
| 3 | VOE 14213676 | 1 | | | | •Sealing ring..... | •Bague d'étanchéité | •Runddichtring..... | •Anillo reten | •Tätningsring..... | | |
| 4 | VOE 4880492 | 1 | | | | •O-ring..... | •Joint Torique | •O-Ring..... | •Junta torica | •O-ring..... | | |
| 5 | VOE 11148962 | 1 | | | | Hose assembly | Conduit flexible | Schlauchleitung..... | Conducto..... | Slangledning..... | L = 950MM | |
| 6 | VOE 14345423 | 1 | | | | Nipple..... | Raccord..... | Nippel..... | Niple..... | Nippel..... | | |
| 7 | VOE 4880492 | 1 | | | | •O-ring..... | •Joint Torique | •O-Ring..... | •Junta torica | •O-ring..... | | |
| 8 | VOE 14211856 | 1 | | | | •Sealing ring..... | •Bague d'étanchéité | •Runddichtring..... | •Anillo reten | •Tätningsring..... | | |
| 9 | VOE 11173806 | 1 | | | | Conn Block..... | Bloc Raccord..... | Anschlusssockel | Bloque Conector | Anslutn.block..... | | |
| 10 | VOE 13948699 | 1 | | | | •O-ring..... | •Joint Torique | •O-Ring..... | •Junta torica | •O-ring..... | | |
| 11 | VOE 11709718 | 1 | | | | •Check valve | •Valve antiretour..... | •Rückschlagventil | •Válvula de retención | •Backventil..... | | |
| | VOE 983489 | 1 | | | | •O-ring..... | •Joint Torique | •O-Ring..... | •Junta torica | •O-ring..... | | |
| 12 | VOE 959227 | 4 | | | | •Allen Hd Screw | •Vis A 6 Pans Cr | •Inbusschraube | •Torn Hex Embut..... | •Insexskruv..... | | |
| 13 | VOE 960630 | 2 | | | | Lock Plug | Tampon Verroui. | Verschlusschraube... | Tapon Seguridad..... | Låsplugg..... | | |
| 14 | VOE 13945653 | 2 | | | | Plane Gasket | Joint Plan | Flachdichtung..... | Junta Plana | Planpackning..... | | |
| 15 | VOE 946671 | 2 | | | | Flange screw..... | Vis à bride | Flanschschraube..... | Tomn embridado..... | Flänskskruv..... | | |
| 16 | VOE 13960141 | 2 | | | | Washer..... | Rondelle..... | Scheibe | Arandela..... | Bricka..... | | |
| 17 | VOE 11173690 | 1 | | | | Accumulator..... | Accumulateur | Speicher | Acumulador | Ackumulator..... | | |
| 18 | VOE 13967752 | 1 | | | | O-ring..... | Joint Torique | O-Ring..... | Junta torica..... | O-ring..... | | |
| 19 | VOE 14345423 | 1 | | | | Nipple..... | Raccord..... | Nippel..... | Niple..... | Nippel..... | | |
| 20 | VOE 14211856 | 1 | | | | •Sealing ring..... | •Bague d'étanchéité | •Runddichtring..... | •Anillo reten | •Tätningsring..... | | |
| 21 | VOE 4880492 | 1 | | | | •O-ring..... | •Joint Torique | •O-Ring..... | •Junta torica | •O-ring..... | | |
| 22 | VOE 935409 | 1 | | | | Hose assembly | Conduit flexible | Schlauchleitung..... | Conducto..... | Slangledning..... | L = 1650MM | |
| 23 | VOE 4881458 | 2 | | | | Marking Sleeve | Douill.marquage..... | Kennhülse | Manguit Marcaje..... | Märkhylsa..... | | |
| 24 | VOE 4881438 | 2 | | | | Strip Clamp | Ruban Serrage..... | Kabelbinder | Abraz Cinta | Bandklamma..... | | |
| 25 | VOE 14345423 | 1 | | | | Nipple..... | Raccord..... | Nippel..... | Niple..... | Nippel..... | | |
| 26 | VOE 4880492 | 1 | | | | •O-ring..... | •Joint Torique | •O-Ring..... | •Junta torica | •O-ring..... | | |
| 27 | VOE 14211856 | 1 | | | | •Sealing ring..... | •Bague d'étanchéité | •Runddichtring..... | •Anillo reten | •Tätningsring..... | | |
| 28 | | 1 | | | | Servo valve | Servoalve | Servoventil | Valvula servo..... | Servoventil..... | See group 914, Page 835 | |
| 29 | VOE 13976479 | 4 | | | | Screw..... | Vis | Schraube..... | Tornillo | Skruv..... | | |

| | | | | |
|---|--|---|-----------------------|------------|
| 1 | | Servohydraulik Servo hidráulico Servohydraulik Servohydraulique Servo - hydraulic STD, OPEN ROPS | Catalogue id | Group |
| 2 | | | 20007 | 914 |
| 3 | | | Illustr. No | Section |
| 4 | | | 1004683 | 100 |
| 5 | | | Issue | Page |
| | | | VOE 63D9920007 | 831 |



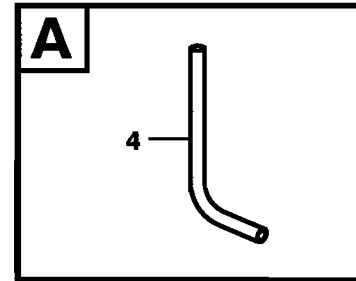
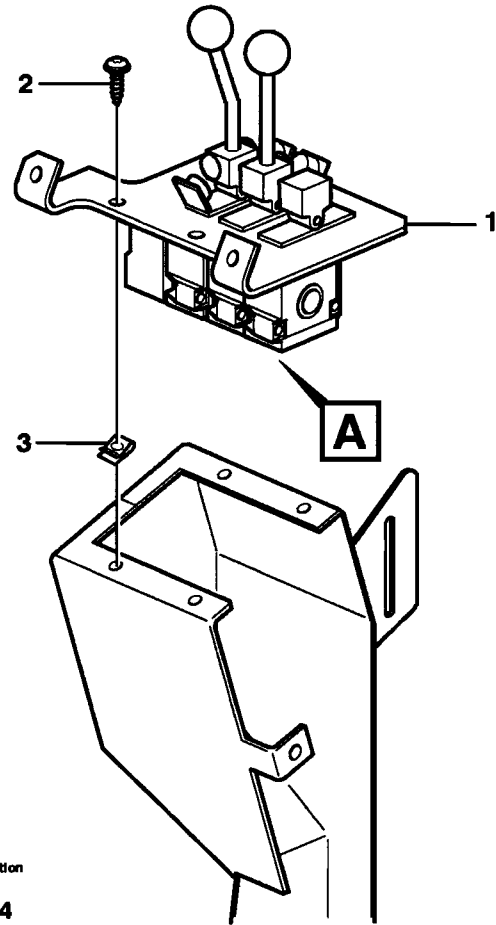
Volvo Construction
 Equipment
 1004683

| Fig. | Part No. | Quantity | | | P S | K I T | Description | Dénomination | Bezeichnung | Denominación | Benämning | Notes |
|------|--------------|----------|---|---|--------|---------------------|-------------------------|----------------------|----------------------|--------------------|------------|-------|
| | | 1 | 2 | 3 | | | | | | | | |
| 30 | VOE 14345423 | 1 | | | | Nipple..... | Raccord..... | Nippel..... | Niple..... | Nippel..... | | |
| 31 | VOE 14211856 | 1 | | | | •Sealing ring..... | •Bague d'étanchéité ... | •Runddichtring..... | •Anillo reten..... | •Tätningsring..... | | |
| 32 | VOE 4880492 | 1 | | | | •O-ring..... | •Joint Torique..... | •O-Ring..... | •Junta torica..... | •O-ring..... | | |
| 33 | VOE 936013 | 1 | | | | Hose assembly..... | Conduit flexible..... | Schlauchleitung..... | Conducto..... | Slangedning..... | L = 1500MM | |
| 34 | VOE 4881456 | 2 | | | | Marking Sleeve..... | Douill.marquage..... | Kennhulse..... | Manguit Marcaje..... | Märkhylsa..... | OR | |
| 35 | VOE 4881438 | 2 | | | | Strip Clamp..... | Ruban Serrage..... | Kabelbinder..... | Abraz Cinta..... | Bandklamma..... | | |
| 36 | VOE 927503 | ERQ | | | | Hydraulic Hose..... | Flexible Hydra..... | Druckölschlauch..... | Conducto Hidr..... | Hydraulslang..... | | |
| 37 | VOE 4881440 | 1 | | | | Strip Clamp..... | Ruban Serrage..... | Kabelbinder..... | Abraz Cinta..... | Bandklamma..... | | |

| | | | | |
|---|--|---|-----------------------|------------|
| 1 | | Servohydraulik Servo hidráulico Servohydraulik Servohydraulique Servo - hydraulic STD, OPEN ROPS | Catalogue id | Group |
| 2 | | | 20007 | 914 |
| 3 | | | Illustr. No | Section |
| 4 | | | 1004683 | 100 |
| 5 | | | Issue | Page |
| | | | VOE 63D9920007 | 833 |

VOLVO

L90E



Volvo Construction
Equipment
1005284

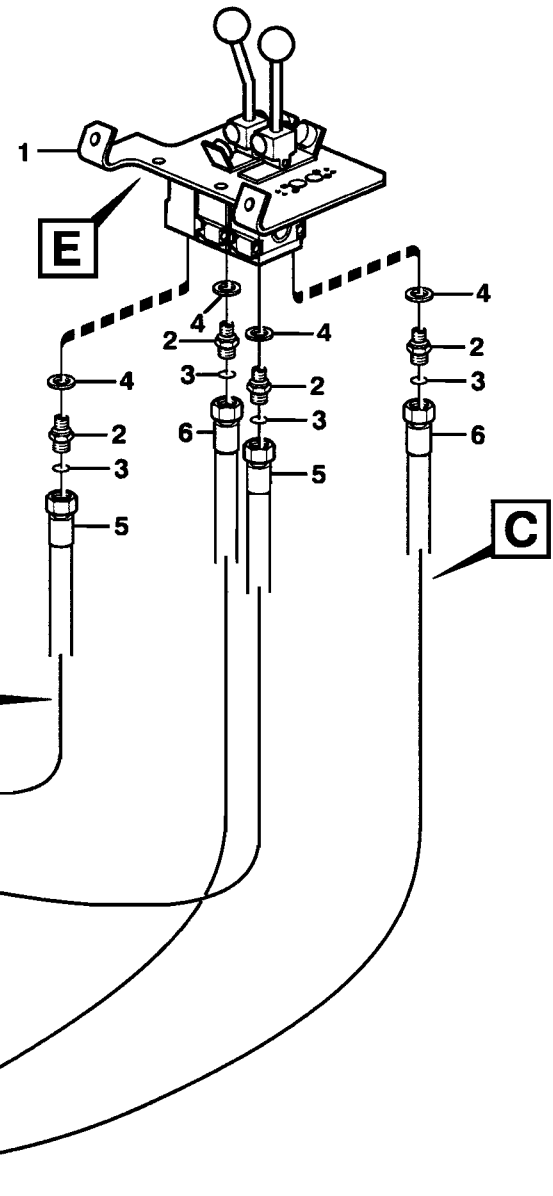
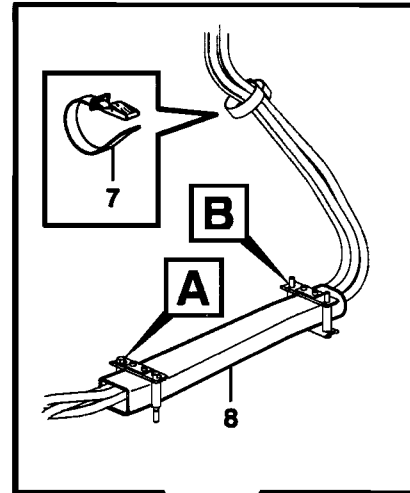
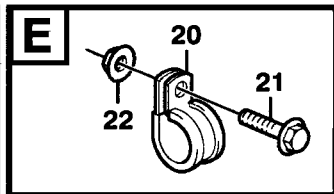
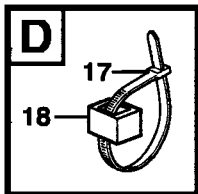
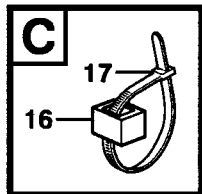
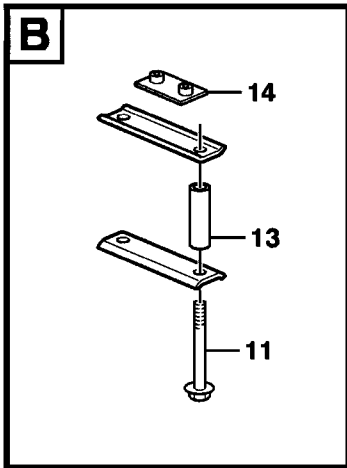
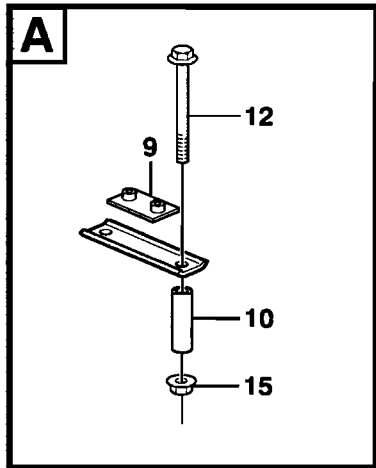
| Fig. | Part No. | Quantity | | | P S | K I T | Description | Dénomination | Bezeichnung | Denominación | Benämning | Notes |
|------|--------------|----------|---|---|--------|------------------|---------------------|-------------------------|----------------------|-------------------|-------------------------|-------|
| | | 1 | 2 | 3 | | | | | | | | |
| 1 | VOE 11172599 | 1 | | | | Servo Valve..... | Servovalve | Servoventil | Valvula Servo | Servoventil..... | See group 914, Page 839 | |
| 2 | VOE 13976479 | 4 | | | | Screw | Vis | Schraube..... | Tornillo | Skruv..... | | |
| 3 | VOE 13949867 | 4 | | | | Spring Nut..... | Ecrou Ressort | Fed. Schliessmutter ... | Tuerca Resorte | Fjädermutter..... | | |
| 4 | VOE 4803752 | 1 | | | | Hose..... | Durit | Schlauch | Tube flexible | Slang..... | L = 500MM | |

| | | | |
|---|--|-----------------------|------------|
| 1 | Servoventil med monteringsdetaljer Servoválvula con accesorios de montaje Servoventil mit Anbauteilen Servo soupape avec pièces de montage Servo valve with fitting parts | Catalogue id | Group |
| 2 | | 20007 | 914 |
| 3 | | Illustr. No | Section |
| 4 | | 1005284 | 150 |
| 5 | | Issue | Page |
| | STD, 33286 OPEN ROPS, 82050 | VOE 63D9920007 | 835 |

VOLVO

L90E





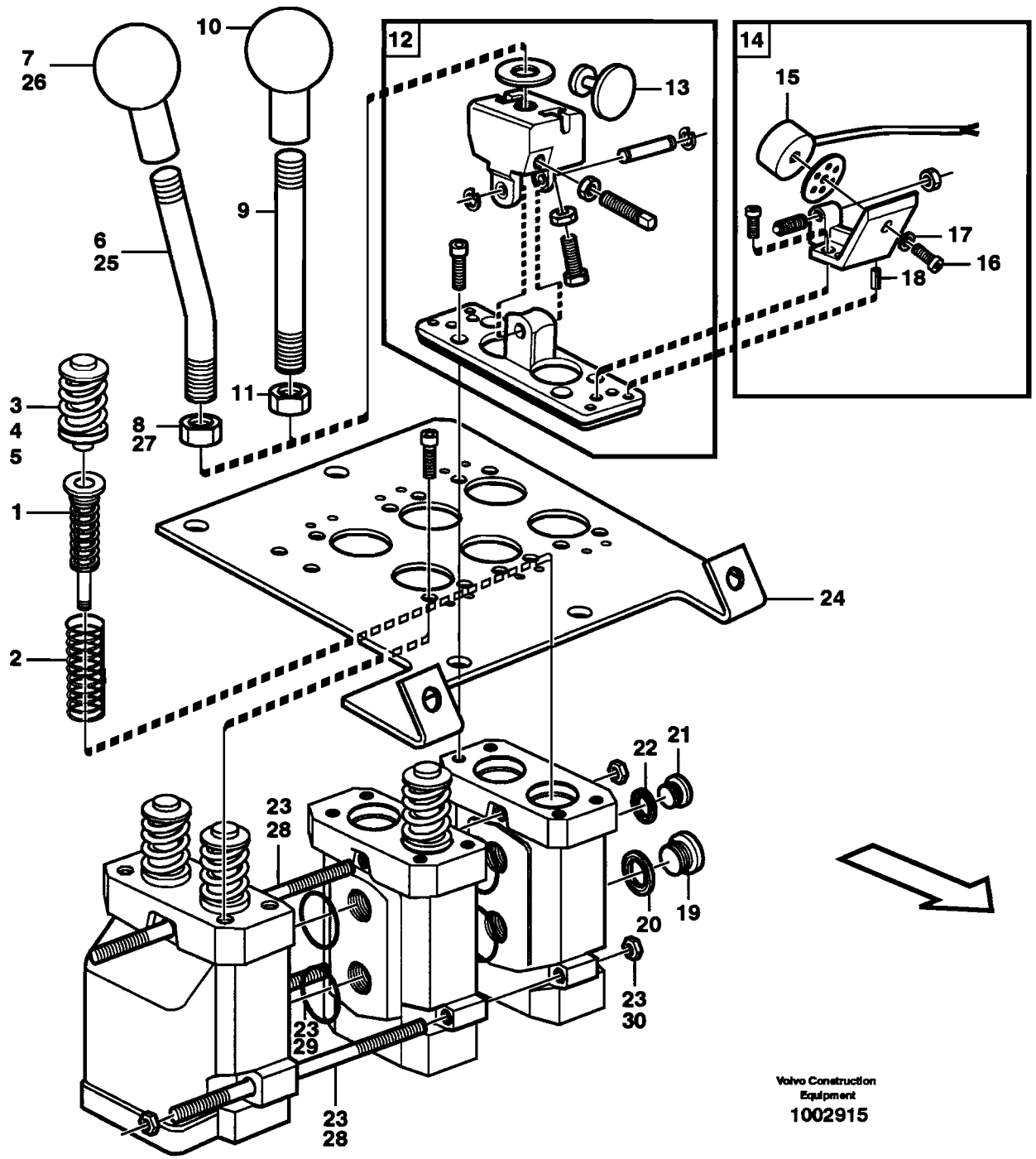
Volvo Construction
Equipment
1009616

| Fig. | Part No. | Quantity | | | P S | K I T | Description | Dénomination | Bezeichnung | Denominación | Benämning | Notes |
|------|--------------|----------|---|---|--------|-----------------------|---------------------------|--------------------------|------------------------|---------------------|-------------------------|-------|
| | | 1 | 2 | 3 | | | | | | | | |
| 1 | | 1 | | | | Servo valve | Servovalve | Servoventil | Valvula servo..... | Servoventil..... | See group 914, Page 839 | |
| 2 | VOE 14345423 | 4 | | | | Nipple..... | Raccord..... | Nippel | Niple | Nippel..... | | |
| 3 | VOE 4880492 | 4 | | | | •O-ring..... | •Joint Torique | •O-Ring..... | •Junta torica | •O-ring..... | | |
| 4 | VOE 14211856 | 4 | | | | •Sealing ring..... | •Bague d'étanchéité | •Runddichtring..... | •Anillo reten | •Tättningsring..... | | |
| 5 | VOE 936012 | 2 | | | | Hose assembly | Conduit flexible | Schlauchleitung..... | Conducto | Slangedning..... | L=2080 MM | |
| 6 | VOE 13933987 | 2 | | | | Hose assembly | Conduit flexible | Schlauchleitung..... | Conducto | Slangedning..... | L=2700MM | |
| 7 | VOE 11104606 | 2 | | | | Retaining Strap | Courroi serrage | Halteriemen..... | Correa Tensora | Spännrem..... | | |
| 8 | VOE 11173522 | 1 | | | | Protecting Hose | Protection durit..... | Schutzschlauch | Manguera Prot | Skydds slang..... | | |
| 9 | VOE 4785466 | 1 | | | | Attaching Plate..... | Fer Fixation | Befestigungslasche | Plato Fijacion..... | Fästjäm..... | | |
| 10 | VOE 11025954 | 2 | 2 | | | Spacer Sleeve..... | Douil.entretoise..... | Distanzhülse..... | Manguito Dist | Distanshylsa..... | | |
| 11 | VOE 13965189 | 2 | | | | Flange screw..... | Vis a bride | Flanschschraube | Torn embridado..... | Flänsskruv..... | | |
| 12 | VOE 13965190 | 2 | | | | Screw | Vis | Schraube..... | Tornillo | Skruv..... | | |
| 13 | VOE 11025954 | 2 | 2 | | | Spacer Sleeve..... | Douil.entretoise..... | Distanzhülse..... | Manguito Dist | Distanshylsa..... | | |
| 14 | VOE 4785466 | 1 | | | | Attaching Plate..... | Fer Fixation | Befestigungslasche | Plato Fijacion..... | Fästjäm..... | | |
| 15 | VOE 13971095 | 2 | | | | Flange nut..... | Ecrou accouple. | Bundmutter..... | Tuerca embridada | Flänsmutter..... | | |
| 16 | VOE 4881452 | 2 | | | | Marking Sleeve | Douill.marquage..... | Kennhülse | Manguit Marcaje..... | Märkhylsa..... | | |
| 17 | VOE 4881438 | 4 | | | | Strip Clamp | Ruban Serrage..... | Kabelbinder | Abraz Cinta | Bandklamma..... | | |
| 18 | VOE 4881459 | 2 | | | | Marking Sleeve | Douill.marquage..... | Kennhülse | Manguit Marcaje..... | Märkhylsa..... | | |
| 19 | | 4 | | | | Control valve | Valve de commande .. | Steuerventil | Válvula de mando | Manöverventil..... | See group 912, Page 819 | |
| 20 | VOE 952627 | 1 | | | | Clamp..... | Pince Serrage | Klemme | Abrazadera..... | Klämma..... | | |
| 21 | VOE 13946544 | 1 | | | | Flange screw..... | Vis à bride | Flanschschraube..... | Torn embridado..... | Flänsskruv..... | | |
| 22 | VOE 13945407 | 1 | | | | Nut | Ecrou..... | Mutter | Tuerca | Mutter..... | | |

| | | | | |
|---|--|---|-----------------------|------------|
| 1 | | Manöverledning Tuberías de maniobra Manövrerleitungen Canalisations de commande Control lines STD, 33286 OPEN ROPS | Catalogue id | Group |
| 2 | | | 20007 | 914 |
| 3 | | | Illustr. No | Section |
| 4 | | | 1009616 | 200 |
| 5 | | | Issue | Page |
| | | | VOE 63D9920007 | 837 |

VOLVO

L90E



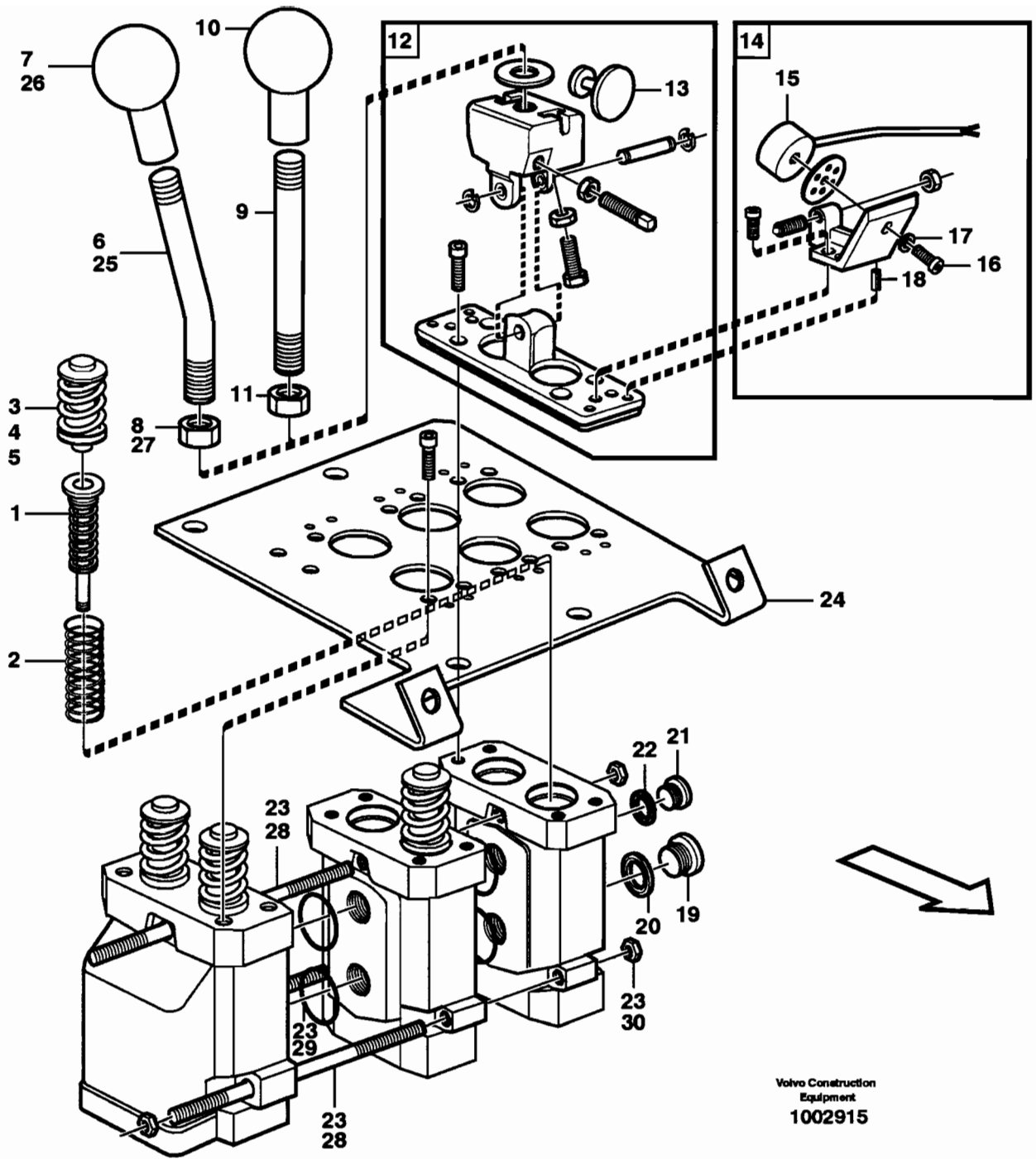
Valve Construction
 Equipment
 1002915

| Fig. | Part No. | Quantity | | | P S | K I T | Description | Dénomination | Bezeichnung | Denominación | Benämning | Notes |
|------|--------------|----------|---|---|--------|-----------------------|------------------------|-----------------------|------------------------|----------------------|---------------------|-------|
| | | 1 | 2 | 3 | | | | | | | | |
| | VOE 11172599 | 1 | | | | Servo Valve..... | Servovalve | Servoventil | Valvula Servo | Servoventil..... | | |
| | VOE 11706174 | | 1 | | | Servo Valve..... | Servovalve | Servoventil | Valvula Servo | Servoventil..... | | |
| 1 | VOE 11705921 | 4 | | | | •Spring Package | •Ensemb Ressorts | •Federpaket..... | •Conjun Resorte | •Fjäderpaket..... | | |
| | VOE 11706175 | | 2 | | | •Spring Assembly..... | •Ensemb Ressorts | •Federpaket..... | •Conjun Resorte | •Fjäderpaket..... | | |
| 2 | VOE 11994393 | 4 | 2 | | | •Return Spring | •Ressort Rappel | •Ruckholfeder..... | •Resorte Antagon | •Returfjäder..... | | |
| 3 | VOE 11991323 | 4 | 2 | | | •Pin | •Goupille..... | •Stift..... | •Pasador..... | •Pinne..... | | |
| 4 | VOE 11991047 | 4 | 2 | | | •Sealing Kit | •Jeu Joints | •Dichtungssatz | •Juego Retenes..... | •Tätningssats..... | | |
| 5 | VOE 11991048 | 4 | 2 | | | •Spacer Washer..... | •Rond.entretoise | •Abstandscheibe | •Arandela Dist | •Distansbricka..... | THICK = 0.2 MM | |
| | VOE 11991049 | 4 | 2 | | | •Spacer Washer..... | •Rond.entretoise | •Abstandscheibe | •Arandela Dist | •Distansbricka..... | THICK = 0.3 MM | |
| | VOE 11991316 | 4 | 2 | | | •Spacer Washer..... | •Rond.entretoise | •Abstandscheibe | •Arandela Dist | •Distansbricka..... | THICK = 0.5 MM | |
| 6 | VOE 11708826 | 1 | | | | •Lever Kit | •Kit Levier..... | •Hebelsatz | •Juego Palanca | •Spaksats..... | | |
| 7 | VOE 11708308 | 1 | | | | •Ball | •Bille..... | •Kugel | •Bola..... | •Kula..... | | |
| 8 | VOE 13971080 | 1 | | | | •Hexagon Nut | •Ecrou Hexagonal | •Sechskantmutter..... | •Tuerca Hexagon | •Sexkantsmutter..... | | |
| 9 | VOE 11708827 | 1 | | | | •Lever Kit | •Kit Levier..... | •Hebelsatz | •Juego Palanca | •Spaksats..... | | |
| 10 | VOE 11708308 | 1 | | | | •Ball | •Bille..... | •Kugel | •Bola..... | •Kula..... | | |
| 11 | VOE 13971080 | 1 | | | | •Hexagon Nut | •Ecrou Hexagonal | •Sechskantmutter..... | •Tuerca Hexagon | •Sexkantsmutter..... | | |
| 12 | VOE 11705078 | 2 | 1 | | | •Lever Link | •Articula.levier | •Hebelgelenk..... | •Artic Palanca | •Spaklänk..... | | |
| 13 | VOE 11003417 | 1 | 1 | | | •Anchor Plate..... | •Plateau Ancrage | •Ankerplatte | •Placa Anclaje | •Ankarplatta..... | | |
| 14 | VOE 11705079 | 3 | | | | •Magnet..... | •Aimant..... | •Magnet..... | •Iman | •Magnet | | |
| 15 | VOE 11003153 | 1 | | | | •Magnet | •Aimant | •Magnet..... | •Iman | •Magnet..... | MA901, MA902, MA904 | |
| 16 | VOE 959174 | 1 | | | | •Allen Hd Screw | •Vis A 6 Pans Cr | •Inbusschraube | •Tom Hex Embut..... | •Insexskruv..... | | |
| 17 | VOE 13960146 | 1 | | | | •Washer | •Rondelle | •Scheibe..... | •Arandela | •Bricka..... | | |
| 18 | VOE 951940 | 2 | | | | •Spring Pin..... | •Axe de ressort | •Federstift..... | •Pasador Resorte..... | •Fjäderpinne..... | | |
| 19 | VOE 945065 | 1 | 1 | | | •Plug | •Bouchon..... | •Stopfen | •Tapon..... | •Plugg..... | | |
| 20 | VOE 13945653 | 1 | 1 | | | •Plane Gasket | •Joint Plan | •Flachdichtung..... | •Junta Plana | •Planpackning..... | | |
| 21 | VOE 13965768 | 1 | 1 | | | •Plug | •Bouchon..... | •Stopfen | •Tapon..... | •Plugg..... | | |
| 22 | VOE 947083 | 1 | 1 | | | •Gasket | •Joint | •Dichtung..... | •Junta | •Packning..... | | |
| 23 | VOE 11705080 | 1 | | | | •Tie Rod Kit..... | •Lot Barre Remor | •Deichselsatz..... | •Jueg Barra Trac | •Dragstångsats..... | | |
| 24 | VOE 11705080 | 1 | | | NS | •Valve plate | •Plaque soupape..... | •Ventilplatte | •Placa valvula | •Ventilplatta..... | | |
| 25 | VOE 11998151 | 1 | 1 | | | Lever Kit..... | Kit Levier | Hebelsatz | Juego Palanca | Spaksats..... | | |

| | | | | |
|---|-------|---|--------------|---------|
| 1 | STD | Servoventil Servoválvula Servoventil Servo soupape Servo valve STD, 33286 OPEN ROPS, 82050 | Catalogue id | Group |
| 2 | 82050 | | 20007 | 914 |
| 3 | | | Illustr. No | Section |
| 4 | | | 1002915 | 250 |
| 5 | | | Issue | Page |
| | | VOE 63D9920007 | 839 | |

VOLVO

L90E



Volvo Construction
 Equipment
 1002915

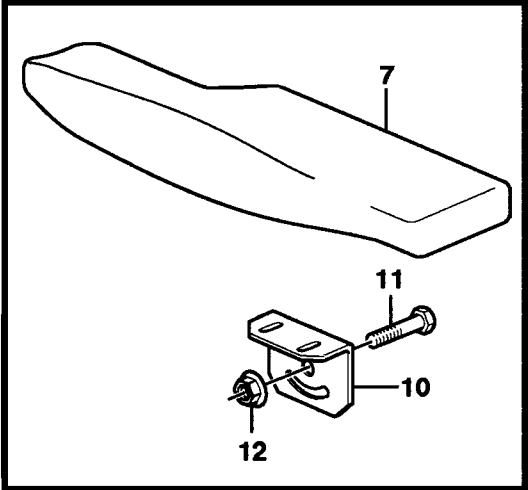
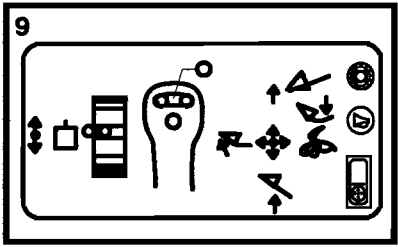
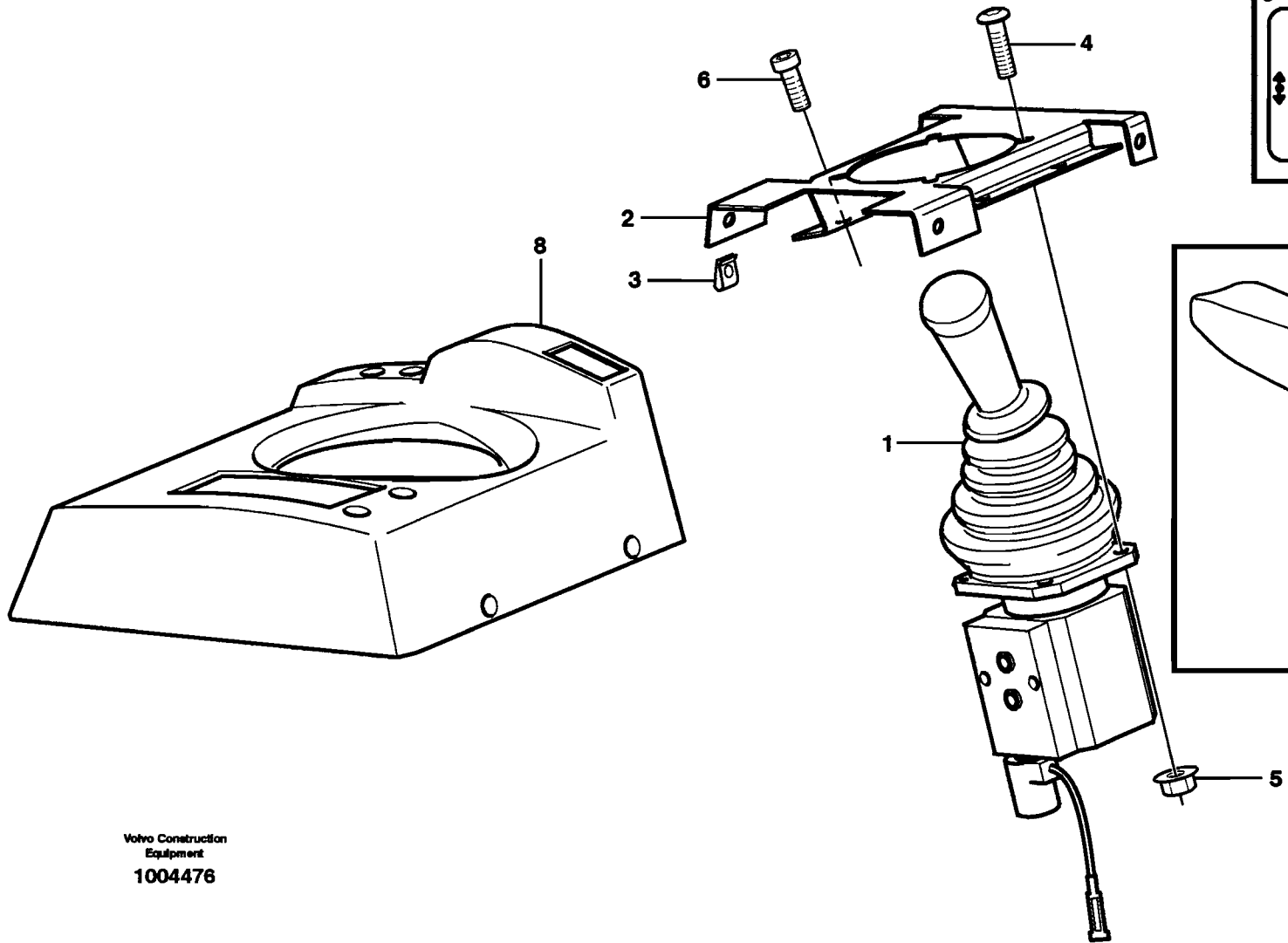
| Fig. | Part No. | Quantity | | | P S | K I T | Description | Dénomination | Bezeichnung | Denominación | Benämning | Notes |
|------|--------------|----------|---|---|--------|-------------|-------------------|-----------------------|-----------------------|----------------------|---------------------|-------|
| | | 1 | 2 | 3 | | | | | | | | |
| 26 | VOE 11991321 | 1 | | | | | •Ball..... | •Bille..... | •Kugel..... | •Bola..... | •Kula..... | |
| 27 | VOE 13971080 | 1 | | | | | •Hexagon Nut..... | •Ecrou Hexagonal..... | •Sechskantmutter..... | •Tuerca Hexagon..... | •Sexkantmutter..... | |
| | VOE 11991319 | 1 | | | | | Pull Rod..... | Barre Traction..... | Zugstange..... | Varilla Tracc..... | Dragstång..... | |
| 28 | | 3 | | | | | •Pull Rod..... | •Barre Traction..... | •Zugstange..... | •Varilla Tracc..... | •Dragstång..... | |
| 29 | VOE 955994 | 4 | | | | | •O-ring..... | •Joint Torique..... | •O-Ring..... | •Junta torica..... | •O-ring..... | |
| 30 | VOE 13955781 | 6 | | | | | •Nut..... | •Ecrou..... | •Mutter..... | •Tuerca..... | •Mutter..... | |

| | | | | |
|---|-------|---|------------------------------------|------------|
| 1 | STD | Servoventil Servoválvula Servoventil Servo soupape Servo valve | Catalogue id | Group |
| 2 | 82050 | | 20007 | 914 |
| 3 | | | Illustr. No | Section |
| 4 | | | 1002915 | 250 |
| 5 | | | Issue | Page |
| | | | VOE 63D9920007 | 841 |
| | | | STD, 33286 OPEN ROPS, 82050 | |

VOLVO

L90E





Volvo Construction
Equipment
1004476

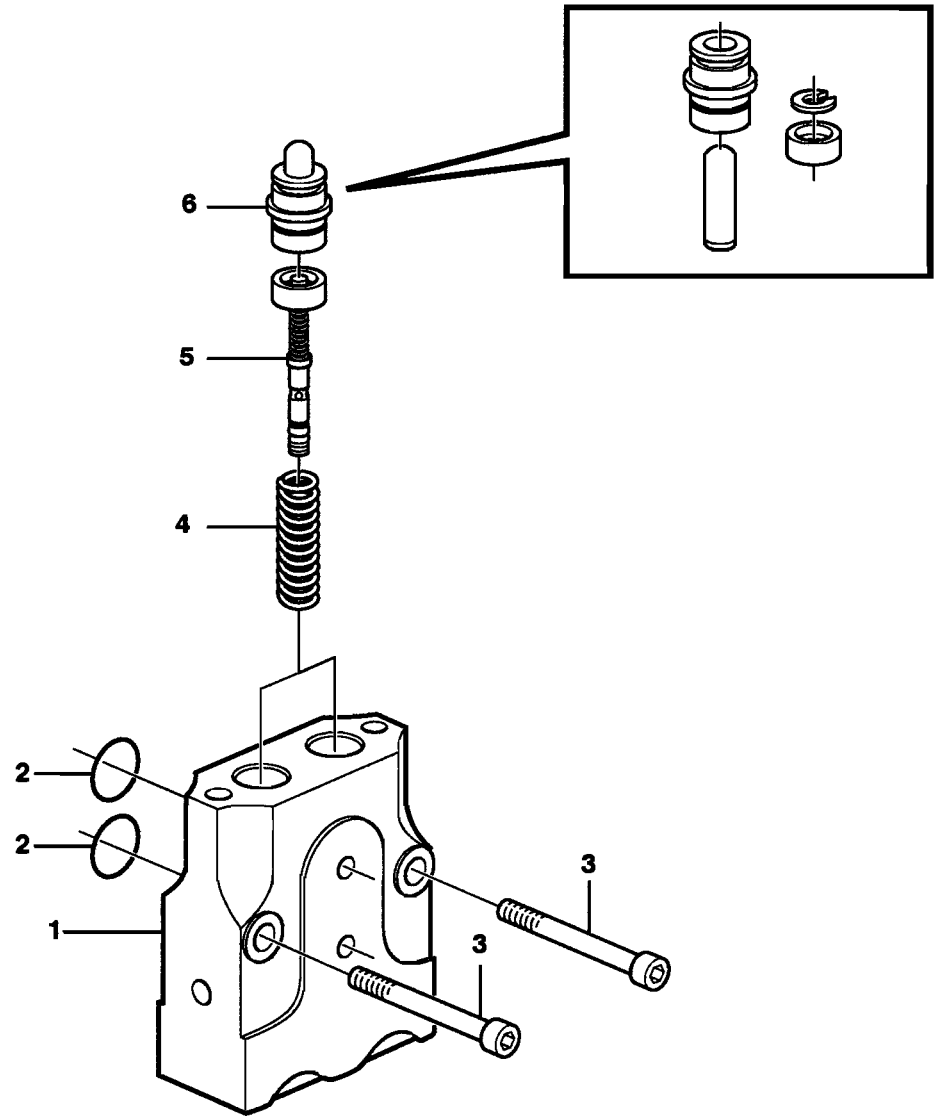
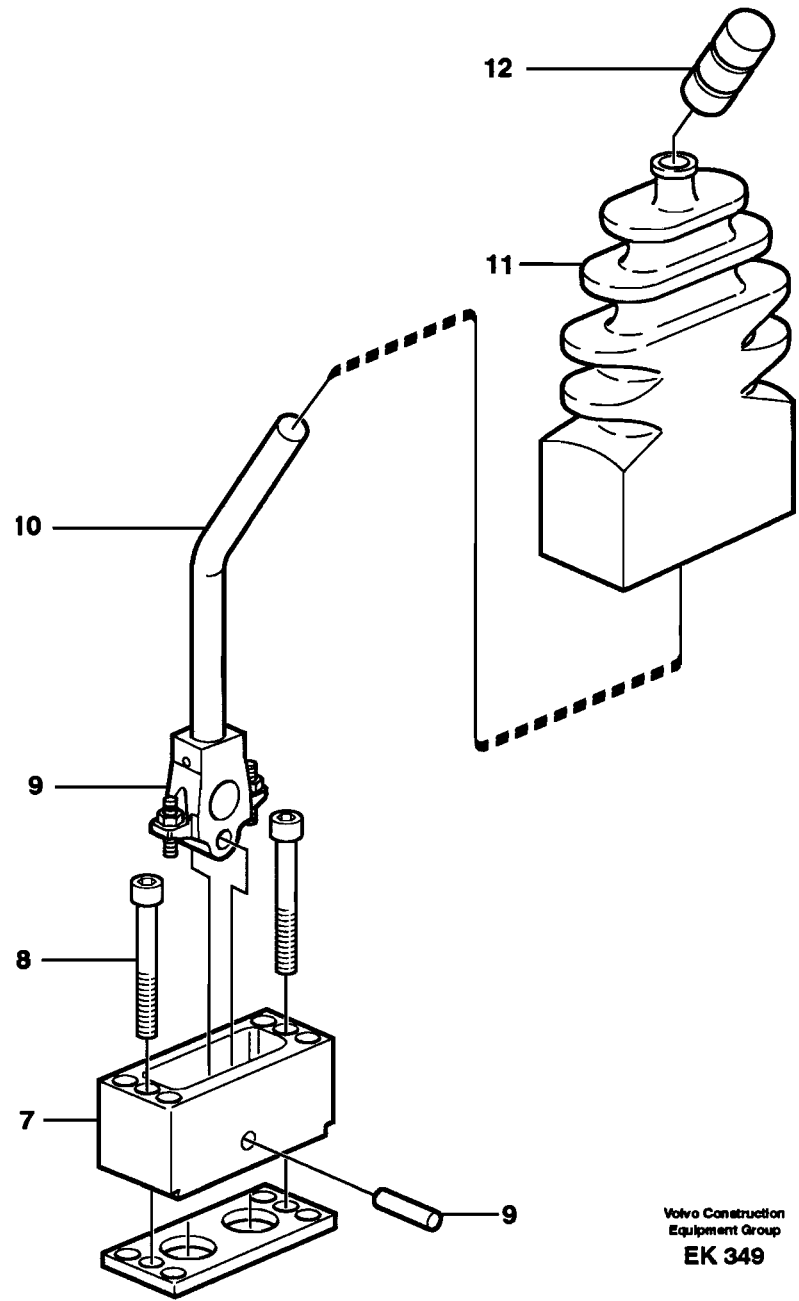


| Fig. | Part No. | Quantity | | | P S | K I T | Description | Dénomination | Bezeichnung | Denominación | Benämning | Notes |
|------|--------------|----------|---|---|--------|-------------|---|-------------------------|----------------------|----------------------|---------------------|-------|
| | | 1 | 2 | 3 | | | | | | | | |
| 1 | VOE 11173915 | 1 | | | | | Single Lever Control .. Command un lev..... Einhebelsteuer..... Monomando | | | | Enspaksreglage..... | |
| 2 | VOE 11104742 | 1 | | | | | Attaching Plate..... Tole fixation..... Befestigungsblech..... Chapa fijacion | | | | Fästplåt..... | |
| 3 | VOE 949921 | 2 | | | | | Spring Nut..... Ecrou Ressort | Fed. Schliessmutter ... | Tuerca Resorte | | Fjädermutter..... | |
| 4 | VOE 13975980 | 4 | | | | | Screw..... Vis..... Schraube..... Tornillo | | | | Skruv..... | |
| 5 | VOE 13949278 | 4 | | | | | Flange Lock Nut..... Contre écrou bride | Flanschmutter | Contratuer Embr..... | | Flänslåsmutter..... | |
| 6 | VOE 959223 | 4 | | | | | Allen Hd Screw | Vis A 6 Pans Cr..... | Inbusschraube..... | Torn Hex Embut | Insexskruv..... | |
| 7 | VOE 11164348 | 1 | | | | | Arm Rest..... Accoudoir | Armlehne..... | Reposabrazos | | Armstöd..... | |
| 8 | VOE 11104643 | 1 | | | | | Casing..... Boitier..... Gehäuse..... Cubierta..... | | | | Kåpa..... | |
| 9 | VOE 11006299 | 1 | | | | | Decal..... Decalcomanie | Abziehbild..... | Decalcomania | | Dekal..... | |
| 10 | VOE 11164355 | 1 | | | | | Anchorage..... Fixation | Halterung..... | Fijacion | | Fäste..... | |
| 11 | VOE 13946173 | 1 | | | | | Flange screw..... Vis à bride | Flanschschraube..... | Torn embridado..... | | Flänsskruv..... | |
| 12 | VOE 948645 | 1 | | | | | Flange Lock Nut..... Contre écrou bride | Flanschmutter | Contratuer Embr..... | | Flänslåsmutter..... | |

| | | | |
|---|--|-----------------------|------------|
| 1 | Servoventil med monteringsdetaljer. Servoválvula con accesorios de montaje. Servoventil mit Einbauteilen. Servo-soupape avec pièces de montage. Servo valve with fitting parts. | Catalogue id | Group |
| 2 | | 20007 | 914 |
| 3 | | Illustr. No | Section |
| 4 | | 1004476 | 350 |
| 5 | | Issue | Page |
| | 82325, 82326 | VOE 63D9920007 | 843 |

VOLVO

L90E



Volvo Construction
Equipment Group
EK 349

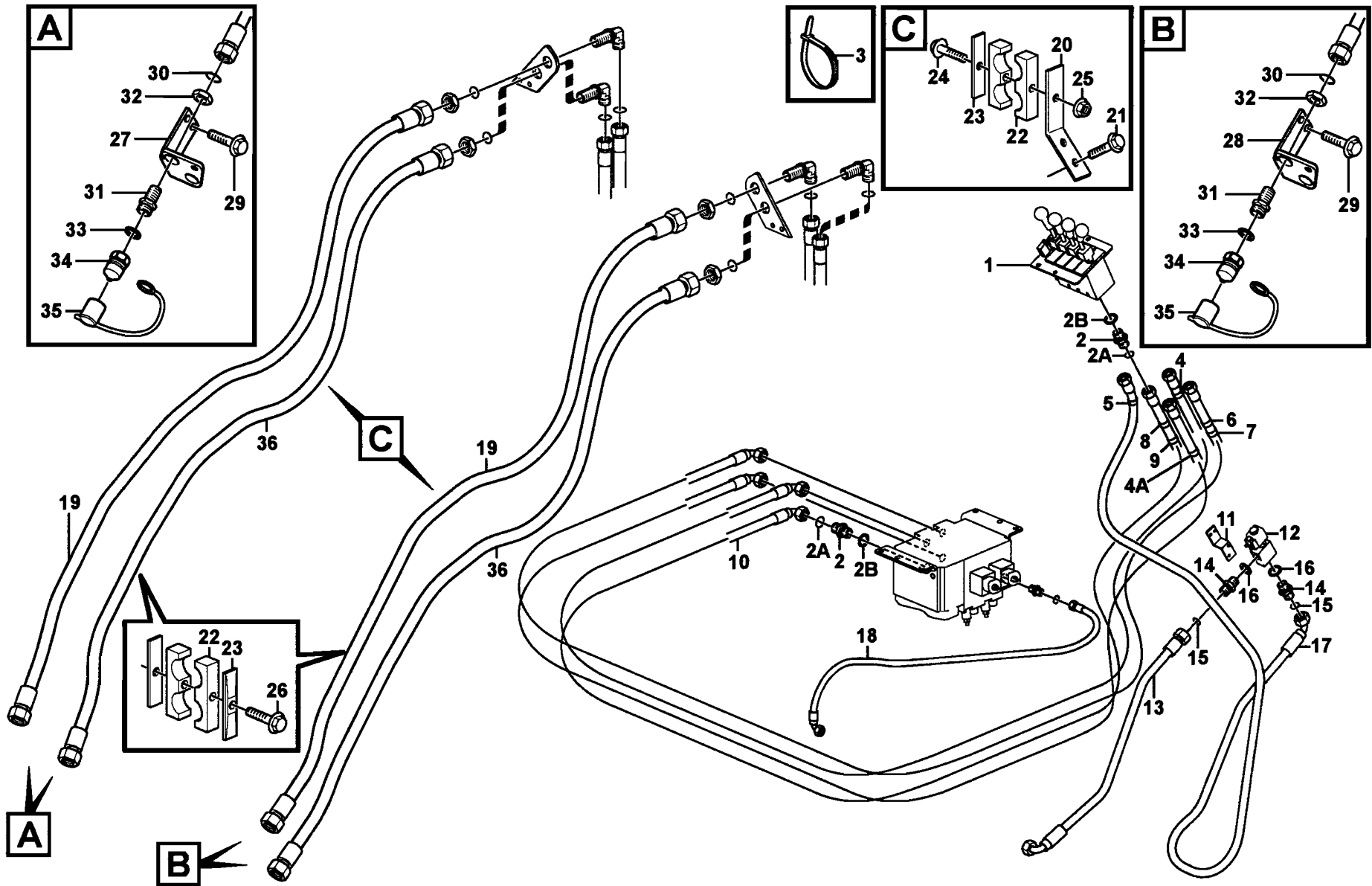
((((((((

| Fig. | Part No. | Quantity | | | P S | K I T | Description | Dénomination | Bezeichnung | Denominación | Benämning | Notes |
|------|--------------|----------|---|---|--------|-----------------------|------------------------|----------------------|-----------------------|----------------------|----------------|-------|
| | | 1 | 2 | 3 | | | | | | | | |
| 1 | VOE 11006043 | 1 | | | | Valve | Soupape..... | Ventil | Valvula | Ventil..... | | |
| | | 1 | | | NS | •Housing | •Carter..... | •Gehäuse | •Carter | •Hus..... | | |
| 2 | VOE 11706995 | 2 | | | | •Sealing Kit | •Jeu Joints..... | •Dichtungssatz | •Juego Retenes..... | •Tätningssats..... | | |
| 3 | VOE 959226 | 2 | | | | •Allen Hd Screw | •Vis A 6 Pans Cr | •Inbusschraube | •Torn Hex Embut..... | •Insexskruv..... | | |
| 4 | VOE 11706994 | 1 | | | | •Spring Kit | •Jeu Ressorts..... | •Federsatz | •Juego Resortes | •Fjädersats..... | | |
| 5 | VOE 11706997 | 1 | | | | •Control Slide | •Coulisse Comman | •Regelschieber | •Corredera Mando..... | •Reglerslid..... | | |
| 6 | VOE 11706185 | 1 | | | | •Plunger | •Piston..... | •Stößel | •Pasador Acciona..... | •Manöverpinne..... | | |
| 7 | | 1 | | | NS | •Housing | •Carter..... | •Gehäuse | •Carter | •Hus..... | | |
| 8 | VOE 13941747 | 2 | | | | •Screw..... | •Vis..... | •Schraube..... | •Tornillo | •Skruv..... | | |
| 9 | VOE 11706990 | 1 | | | | •Repair Kit..... | •Kit Reparation | •Reparatursatz | •Kit Reparacion | •Reparationsats..... | | |
| 10 | VOE 11713533 | 1 | | | | •Lever Kit | •Kit Levier..... | •Hebelsatz | •Juego Palanca | •Spaksats..... | (VOE 11706988) | |
| 11 | VOE 11706989 | 1 | | | | •Bellows | •Capot Caoutcho..... | •Gummimantel..... | •Cubierta Goma..... | •Gummikåpa..... | | |
| 12 | VOE 11706184 | 1 | | | | •Knob | •Bouton | •Knauf | •Boton..... | •Knopp | | |

| | | | | |
|---|--|--|-----------------------|------------|
| 1 | | Manöverventil. Válvula de mando. Manövrierventil. Soupape de commande. Control valve. 82325 | Catalogue id | Group |
| 2 | | | 20007 | 914 |
| 3 | | | Illustr. No | Section |
| 4 | | | EK349 | 400 |
| 5 | | | Issue | Page |
| | | | VOE 63D9920007 | 845 |

VOLVO

L90E

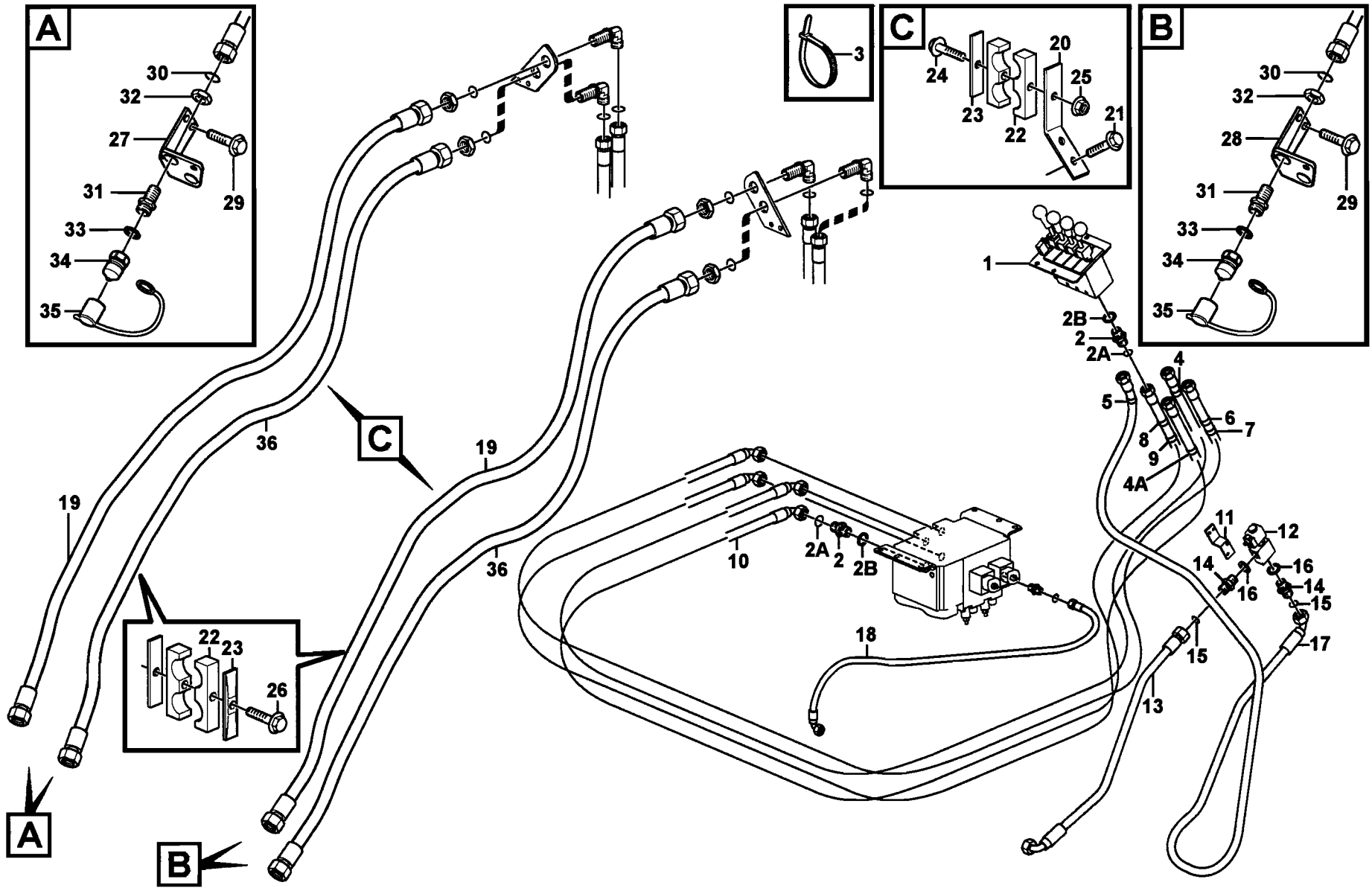


| Fig. | Part No. | Quantity | | | P S | K I T | Description | Dénomination | Bezeichnung | Denominación | Benämning | Notes |
|------|--------------|----------|---|---|--------|----------------------|---------------------------|----------------------|----------------------|---------------------|--------------------------------|-------|
| | | 1 | 2 | 3 | | | | | | | | |
| 1 | VOE 11172599 | 1 | | | | Servo Valve..... | Servovalve | Servoventil | Valvula Servo | Servoventil..... | | |
| 2 | VOE 14345423 | 4 | 2 | | | Nipple..... | Raccord..... | Nippel..... | Niple..... | Nippel..... | | |
| 2A | VOE 4880492 | 1 | 1 | | | •O-ring..... | •Joint Torique | •O-Ring..... | •Junta torica | •O-ring..... | | |
| 2B | VOE 14211856 | 1 | 1 | | | •Sealing ring..... | •Bague d'étanchéité | •Runddichtring..... | •Anillo reten | •Tätningssring..... | | |
| 3 | VOE 4881438 | 10 | 4 | | | Strip Clamp | Ruban Serrage..... | Kabelbinder | Abraz Cinta | Bandklamma..... | | |
| 4 | VOE 4881453 | 2 | | | | Marking Sleeve | Douill.marquage..... | Kennhulse | Manguit Marcaje..... | Märkhylsa..... | VIOLET | |
| 4A | VOE 4881458 | 2 | | | | Marking Sleeve | Douill.marquage..... | Kennhulse | Manguit Marcaje..... | Märkhylsa..... | BROWN | |
| | | | | | | | | | | | S/N 20129 - S/N 66152 - USA | |
| 5 | VOE 11014127 | 2 | | | | Marking Sleeve | Douill.marquage..... | Kennhulse | Manguit Marcaje..... | Märkhylsa..... | GREY | |
| 6 | VOE 4881457 | 2 | | | | Marking Sleeve | Douill.marquage..... | Kennhulse | Manguit Marcaje..... | Märkhylsa..... | GREEN | |
| 7 | VOE 4881453 | 2 | 2 | | | Marking Sleeve | Douill.marquage..... | Kennhulse | Manguit Marcaje..... | Märkhylsa..... | | |
| 8 | VOE 11014127 | 2 | 2 | | | Marking Sleeve | Douill.marquage..... | Kennhulse | Manguit Marcaje..... | Märkhylsa..... | GREY | |
| 9 | VOE 4881454 | 2 | | | | Marking Sleeve | Douill.marquage..... | Kennhulse | Manguit Marcaje..... | Märkhylsa..... | PINK | |
| 10 | VOE 936710 | 4 | 2 | | | Hose assembly | Conduit flexible | Schlauchleitung..... | Conducto..... | Slangledning..... | L = 2150MM | |
| 11 | | 1 | | | | Attachment..... | Fixation | Halterung..... | Fijacion | Fäste..... | See group 924, Page 865 | |
| 12 | | 1 | | | | Valve..... | Soupape..... | Ventil..... | Valvula | Ventil..... | See group 924, Page 865 | |
| 13 | VOE 11163049 | 1 | | | | Hose assembly | Conduit flexible | Schlauchleitung..... | Conducto..... | Slangledning..... | L = 750MM | |
| 14 | VOE 13933897 | 2 | | | | Nipple..... | Raccord..... | Nippel..... | Niple..... | Nippel..... | | |
| 15 | VOE 4880492 | 1 | | | | •O-ring..... | •Joint Torique | •O-Ring..... | •Junta torica | •O-ring..... | | |
| 16 | VOE 14211856 | 1 | | | | •Sealing ring..... | •Bague d'étanchéité | •Runddichtring..... | •Anillo reten | •Tätningssring..... | | |
| 17 | VOE 936710 | 1 | | | | Hose assembly | Conduit flexible | Schlauchleitung..... | Conducto..... | Slangledning..... | L = 2150MM | |
| 18 | VOE 11148936 | 1 | 1 | | | Hose assembly | Conduit flexible | Schlauchleitung..... | Conducto..... | Slangledning..... | L = 900MM | |
| | VOE 13933905 | | 1 | | | Elbow nipple..... | Raccord angulaire..... | Winkelrippel..... | Niple angular | Vinkelrippel..... | | |
| | VOE 4881722 | | 1 | | | •O-ring..... | •Joint Torique | •O-Ring..... | •Junta torica | •O-ring..... | | |
| | VOE 14211856 | | 1 | | | •Sealing ring..... | •Bague d'étanchéité | •Runddichtring..... | •Anillo reten | •Tätningssring..... | | |
| 19 | VOE 936121 | 2 | | | | Hose assembly | Conduit flexible | Schlauchleitung..... | Conducto..... | Slangledning..... | | |
| 20 | VOE 11173531 | 2 | 2 | | | Attachment..... | Fixation | Halterung..... | Fijacion | Fäste..... | | |
| 21 | VOE 946441 | 4 | 4 | | | Flange screw..... | Vis à bride | Flanschschraube..... | Tomn embridado..... | Flänsskruv..... | | |
| 22 | VOE 11101945 | 4 | 4 | | | Clamp..... | Pince Serrage | Klemme..... | Abrazadera..... | Klämma..... | | |

| | | | | |
|---|-------|---|-----------------------|------------|
| 1 | 80930 | Hydraulsystem, 3:e och 4:e funktion. Tryck och returledning. Sistema hidráulico, 3a y 4a función. Conducto de presión y retorno. Druckölsystem, 3. und 4. Funktion. Druck- und Rücklaufleitung. Système hydraulique, 3ème et 4ème fonction.alimentation y retour. Hydraulic system, 3rd and 4th function. Feed and return lines. | Catalogue id | Group |
| 2 | 82050 | | 20007 | 914 |
| 3 | | | Illustr. No | Section |
| 4 | | | 1014317 | 600 |
| 5 | | | Issue | Page |
| | | 80930, 82050 | VOE 63D9920007 | 847 |

VOLVO

L90E

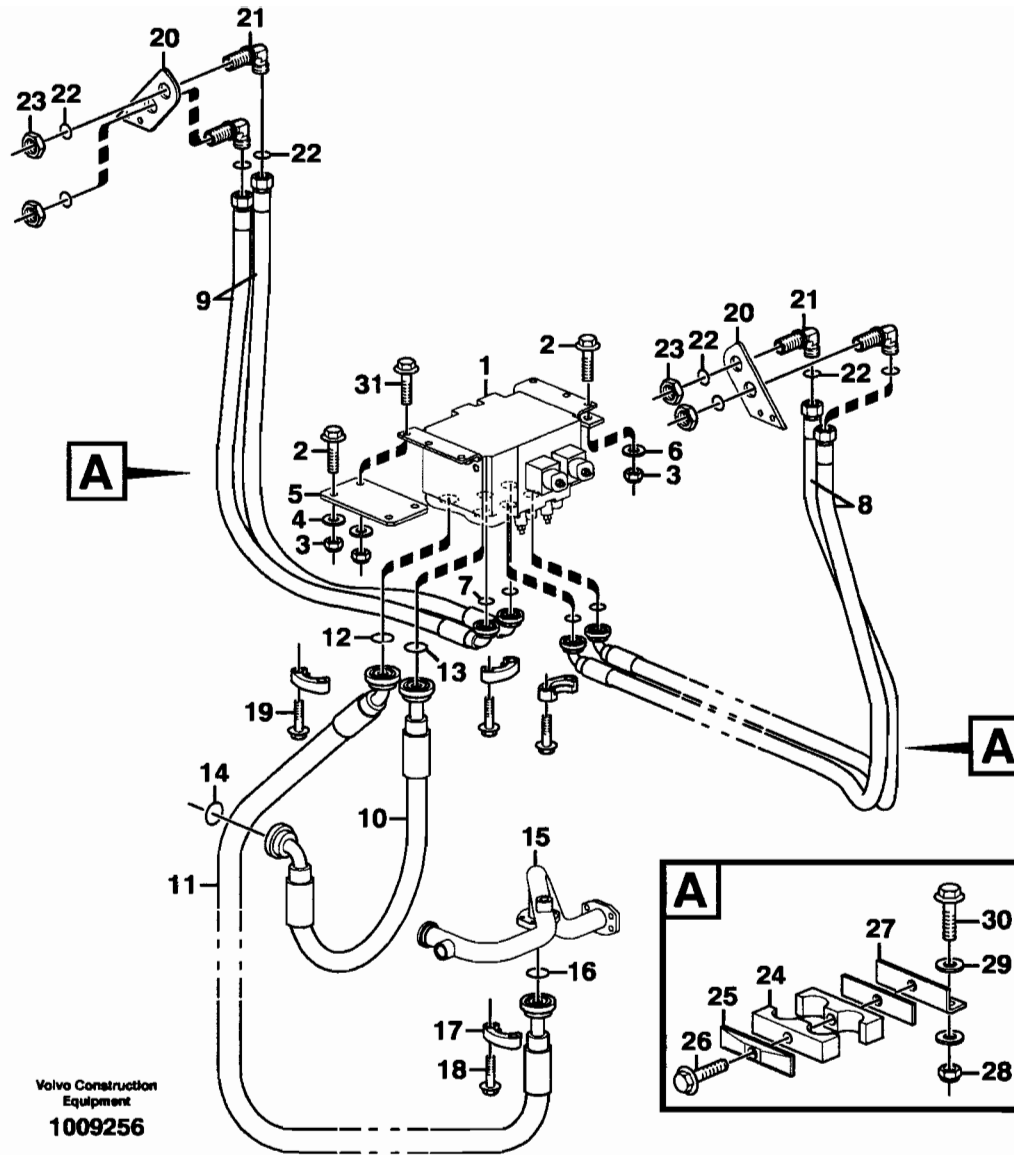


| Fig. | Part No. | Quantity | | | P S | K I T | Description | Dénomination | Bezeichnung | Denominación | Benämning | Notes |
|------|--------------|----------|---|---|--------|-----------------------|--------------------------|------------------------|-----------------------|-----------------------|------------|-------|
| | | 1 | 2 | 3 | | | | | | | | |
| 23 | VOE 4880586 | 4 | 4 | | | Cover Plate | Protection en tole | Schutzblech | Placa Tapa | Täckplatta | | |
| 24 | VOE 13965182 | 2 | 2 | | | Flange screw | Vis à bride | Flanschschraube | Torn embridado | Flänsskruv | | |
| 25 | VOE 948645 | 2 | 2 | | | Flange Lock Nut | Contre écrou bride | Flanschmutter | Contratuer Embr | Flänslåsmutter | | |
| 26 | VOE 13965180 | 2 | 2 | | | Flange screw | Vis à bride | Flanschschraube | Torn embridado | Flänsskruv | | |
| 27 | VOE 11173602 | 1 | 1 | | | Attachment | Fixation | Halterung | Fijacion | Fäste | RH | |
| 28 | VOE 11173600 | 1 | 1 | | | Attachment | Fixation | Halterung | Fijacion | Fäste | LH | |
| 29 | VOE 946441 | 4 | 4 | | | Flange screw | Vis à bride | Flanschschraube | Torn embridado | Flänsskruv | | |
| 30 | VOE 981289 | 4 | 2 | | | O-ring | Joint Torique | O-Ring | Junta torica | O-ring | | |
| 31 | VOE 11172046 | 4 | 4 | | | Nipple | Raccord | Nippel | Niple | Nippel | | |
| 32 | VOE 935286 | 4 | 2 | | | Lock nut | Contre-ecrou | Sicherungsmutter | Contratuerca | Låsmutter | | |
| 33 | VOE 14013070 | 4 | 2 | | | Sealing washer | Rond.etancheite | Dichtscheibe | Arandela reten | Tättningsbricka | | |
| 34 | VOE 11043022 | 4 | 2 | | | Nipple | Raccord | Nippel | Niple | Nippel | | |
| 35 | VOE 11147586 | 4 | 2 | | | Dust Cover | Pare-poussiere | Staubschutz | Prot Polvo | Dammskydd | | |
| 36 | VOE 936168 | 2 | | | | Hose assembly | Conduit flexible | Schlauchleitung | Conducto | Slangledning | L = 2100MM | |

| | | | | |
|---|-------|---|----------------|---------|
| 1 | 80930 | Hydraulsystem, 3:e och 4:e funktion. Tryck och returledning. Sistema hidráulico, 3a y 4a función. Conducto de presión y retorno. Druckölsystem, 3. und 4. Funktion. Druck- und Rücklaufleitung. Système hydraulique, 3ème et 4ème fonction.alimentation y retour. Hydraulic system, 3rd and 4th function. Feed and return lines. | Catalogue id | Group |
| 2 | 82050 | | 20007 | 914 |
| 3 | | | Illustr. No | Section |
| 4 | | | 1014317 | 600 |
| 5 | | | Issue | Page |
| | | 80930, 82050 | VOE 63D9920007 | 849 |

VOLVO

L90E

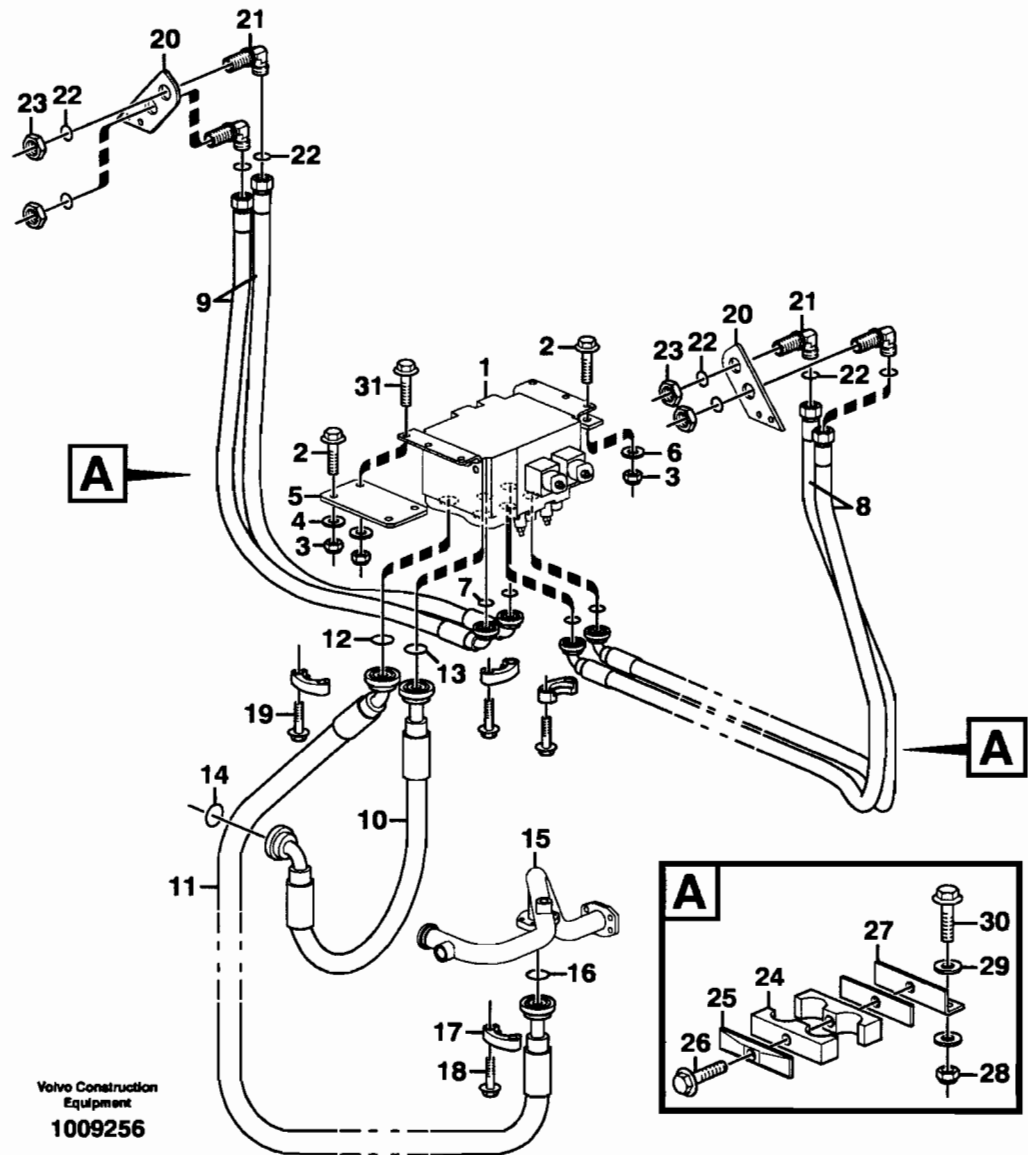


| Fig. | Part No. | Quantity | | | P S | K I T | Description | Dénomination | Bezeichnung | Denominación | Benämning | Notes |
|------|--------------|----------|---|---|--------|----------------------|--------------------------|------------------------|----------------------|---------------------|------------------------------|-------|
| | | 1 | 2 | 3 | | | | | | | | |
| 1 | VOE 11173318 | 1 | | | | Direction Valve..... | Valve Direction..... | Wegeventil | Valvula Orient..... | Riktningventil..... | | |
| | VOE 11173316 | | 1 | | | Direction Valve..... | Valve Direction..... | Wegeventil | Valvula Orient..... | Riktningventil..... | | |
| 2 | VOE 13965194 | 4 | 4 | | | Flange screw..... | Vis à bride | Flanschschraube..... | Torn embridado..... | Flänsskruv..... | | |
| 3 | VOE 971099 | 6 | 8 | | | Flange Lock Nut..... | Contre écrou bride | Flanschmutter | Contratuer Embr..... | Flänslåsmutter..... | (VOE 13971099) L = 760 MM | |
| 4 | VOE 13960145 | 6 | 8 | | | Washer..... | Rondelle | Scheibe | Arandela | Bricka..... | | |
| 5 | VOE 11173355 | 1 | 2 | | | Attachment..... | Fixation | Halterung..... | Fijacion | Fäste..... | | |
| 6 | VOE 11173370 | 1 | | | | Washer..... | Rondelle | Scheibe | Arandela | Bricka..... | | |
| 7 | VOE 13948699 | 4 | 2 | | | O-ring | Joint Torique | O-Ring..... | Junta torica..... | O-ring..... | | |
| 8 | VOE 936120 | 2 | 2 | | | Hose assembly | Conduit flexible | Schlauchleitung..... | Conducto..... | Slangedning..... | L = 1390MM | |
| | VOE 936121 | | 1 | | | Hose assembly | Conduit flexible | Schlauchleitung..... | Conducto..... | Slangedning..... | | |
| 9 | VOE 935900 | 2 | | | | Hose assembly | Conduit flexible | Schlauchleitung..... | Conducto..... | Slangedning..... | L = 1420MM | |
| | VOE 936121 | | 1 | | | Hose assembly | Conduit flexible | Schlauchleitung..... | Conducto..... | Slangedning..... | | |
| 10 | VOE 936015 | 1 | 1 | | | Hose assembly | Conduit flexible | Schlauchleitung..... | Conducto..... | Slangedning..... | L = 710MM | |
| 11 | VOE 936016 | 1 | 1 | | | Hose assembly | Conduit flexible | Schlauchleitung..... | Conducto..... | Slangedning..... | | |
| 12 | VOE 13949239 | 1 | 1 | | | O-ring | Joint Torique | O-Ring..... | Junta torica..... | O-ring..... | | |
| 13 | VOE 13949238 | 2 | 1 | | | O-ring | Joint Torique | O-Ring..... | Junta torica..... | O-ring..... | | |
| 14 | VOE 14215715 | 1 | 1 | | | Sealing ring | Bague d'étanchéité | Runddichtring | Anillo reten | Tätningring..... | | |
| 15 | VOE 11173014 | 1 | 1 | | | Return Line | Conduit Retour..... | Ruckaufleitung | Conduct Return..... | Returledning..... | | |
| 16 | VOE 13949238 | 1 | 1 | | | O-ring | Joint Torique | O-Ring..... | Junta torica..... | O-ring..... | | |
| 17 | VOE 935308 | 2 | 2 | | | Flange Half..... | Demi-bride | Flanschhälfte..... | Media brida | Flänshalva..... | | |
| 18 | VOE 984080 | 4 | 4 | | | Allen Hd Screw | Vis A 6 Paris Cr..... | Inbusschraube..... | Torn Hex Embr..... | Insexskruv..... | | |
| 19 | VOE 13965225 | 4 | 4 | | | Flange Half..... | Demi-bride | Flanschhälfte..... | Media brida | Flänshalva..... | | |
| 20 | VOE 11410346 | 2 | 2 | | | Bracket..... | Console..... | Konsole | Consola | Konsol..... | | |
| 21 | VOE 935442 | 4 | 2 | | | Nipple..... | Raccord..... | Nippel | Niple | Nippel..... | | |
| 22 | VOE 981289 | 2 | 2 | | | •O-ring..... | •Joint Torique | •O-Ring..... | •Junta torica | •O-ring..... | | |
| 23 | VOE 935286 | 4 | 2 | | | Lock nut | Contre-écrou | Sicherungsmutter | Contratuerca | Låsmutter..... | | |
| 24 | VOE 11141734 | 2 | 2 | | | Clamp..... | Pince Serrage | Klemme | Abrazadera..... | Klämma..... | | |
| 25 | VOE 4880586 | 2 | 2 | | | Cover Plate | Protection en tole | Schutzblech..... | Placa Tapa | Täckplatta..... | | |
| 26 | VOE 13965180 | 2 | 2 | | | Flange screw..... | Vis à bride | Flanschschraube..... | Torn embridado..... | Flänsskruv..... | | |

| | | | | |
|---|-------|--|-----------------------|------------|
| 1 | 80930 | Hydraulsystem, 3:e och 4:e funktion. Tryck och returledning. Sistema hidráulico, 3a y 4a función. Conducto de presión y retorno. Druckölssystem, 3. und 4. Funktion. Druck- und Rücklaufleitung. Système hydraulique, 3ème et 4ème fonction.alimentation y retour. Hydraulic system, 3rd and 4th function. Feed and return lines. | Catalogue id | Group |
| 2 | 82050 | | 20007 | 914 |
| 3 | | | Illustr. No | Section |
| 4 | | | 1009256 | 700 |
| 5 | | | Issue | Page |
| | | 80930, 82050 | VOE 63D9920007 | 851 |

VOLVO

L90E



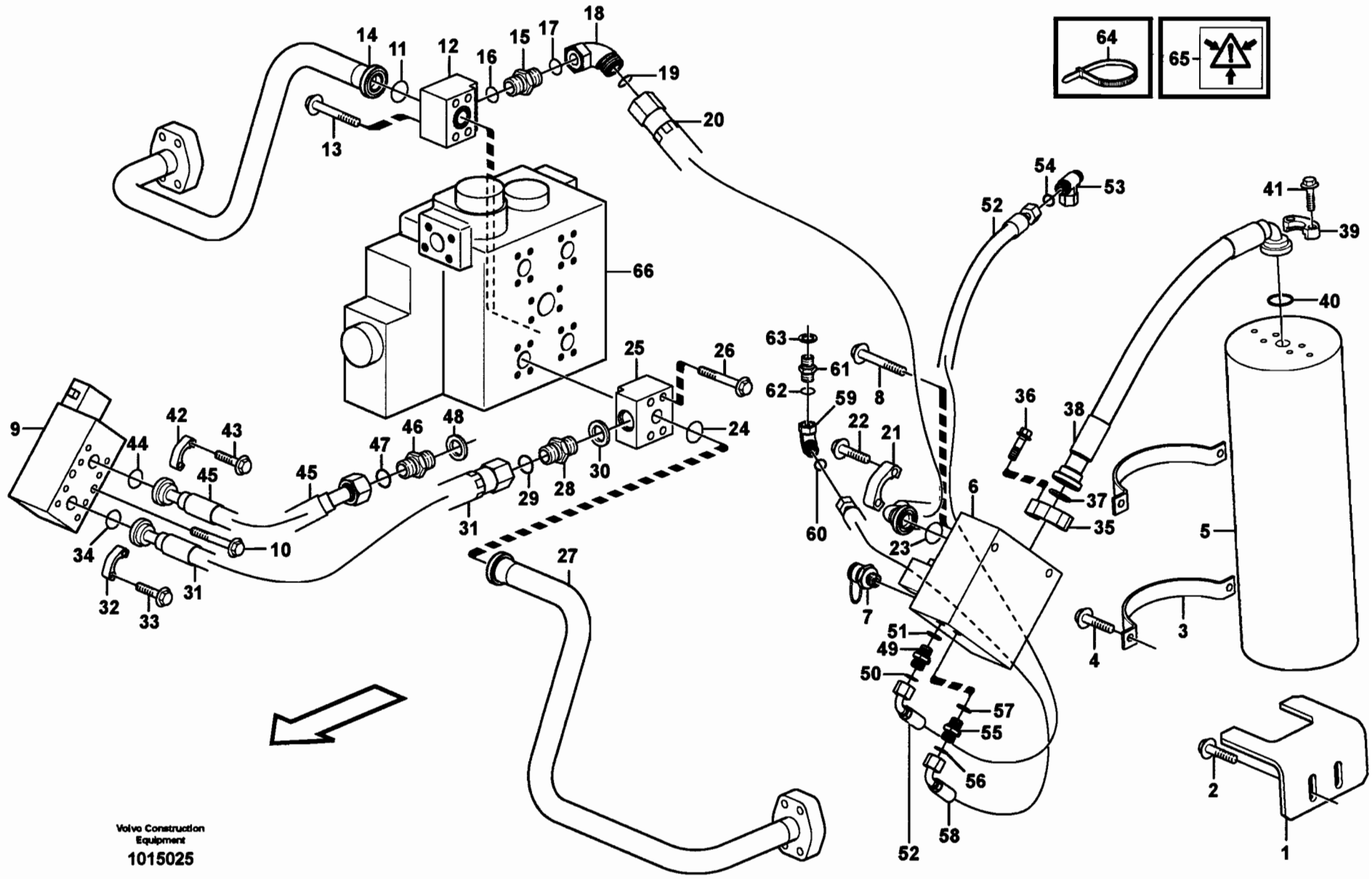
Volvo Construction
 Equipment
 1009256

| Fig. | Part No. | Quantity | | | P S | K I T | Description | Dénomination | Bezeichnung | Denominación | Benämning | Notes |
|------|--------------|----------|---|---|--------|-------------------|----------------------|---------------------|-----------------------|------------------|-----------|-------|
| | | 1 | 2 | 3 | | | | | | | | |
| 27 | VOE 11173176 | 2 | 2 | | | Attachment..... | Fixation | Halterung..... | Fijacion..... | Fäste..... | | |
| 28 | VOE 13965186 | 4 | 4 | | | Flange screw..... | Vis à bride | Flanschschaube..... | Torn embridado..... | Flänsskruv..... | | |
| 29 | VOE 13960143 | 8 | 8 | | | Washer..... | Rondelle..... | Scheibe | Arandela..... | Bricka..... | | |
| 30 | VOE 13971098 | 4 | 4 | | | Flange nut..... | Ecrou accouple. | Bundmutter..... | Tuerca embridad | Flänsmutter..... | | |
| 31 | VOE 13965191 | 2 | | | | Flange screw..... | Vis à bride | Flanschschaube..... | Tom embridado..... | Flänsskruv..... | | |
| 32 | VOE 946441 | 4 | 4 | | | Flange screw..... | Vis à bride | Flanschschaube..... | Torn embridado..... | Flänsskruv..... | | |

| | | | | |
|---|-------|---|----------------|---------|
| 1 | 80930 | Hydraulsystem, 3:e och 4:e funktion. Tryck och returledning. Sistema hidráulico, 3a y 4a función. Conducto de presión y retorno. Druckölsystem, 3. und 4. Funktion. Druck- und Rücklaufleitung. Système hydraulique, 3ème et 4ème fonction.alimentation y retour. Hydraulic system, 3rd and 4th function. Feed and return lines. | Catalogue id | Group |
| 2 | 82050 | | 20007 | 914 |
| 3 | | | Illustr. No | Section |
| 4 | | | 1009256 | 700 |
| 5 | | | Issue | Page |
| | | 80930, 82050 | VOE 63D9920007 | 853 |

VOLVO

L90E



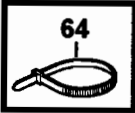
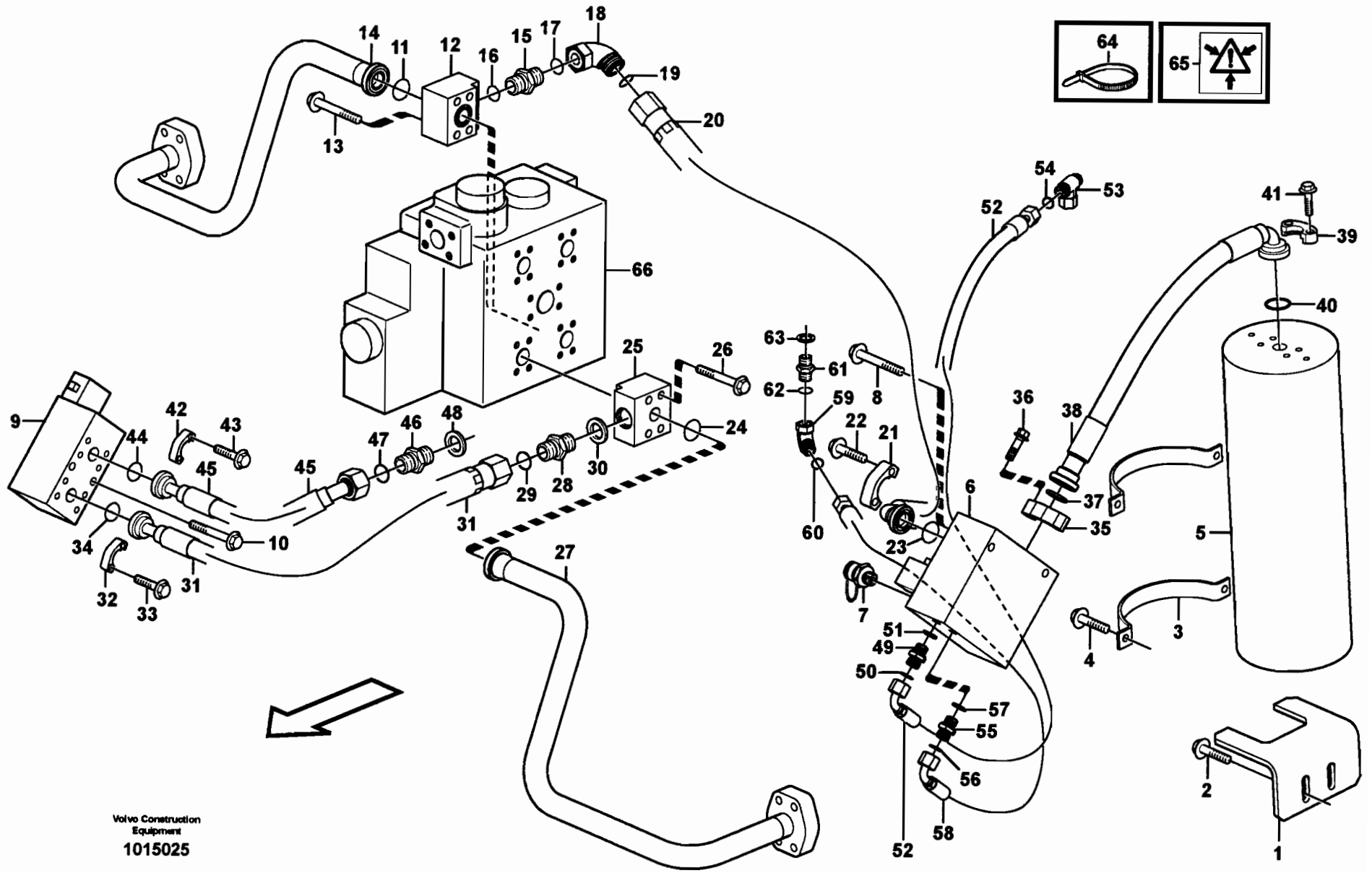
Volvo Construction
 Equipment
 1015025

| Fig. | Part No. | Quantity | | | P S | K I T | Description | Dénomination | Bezeichnung | Denominación | Benämning | Notes |
|------|--------------|----------|---|---|--------|---------------------|------------------------|----------------------|----------------------|--------------------|-------------------------|-------|
| | | 1 | 2 | 3 | | | | | | | | |
| 1 | VOE 11148028 | 1 | | | | Bracket..... | Console..... | Konsole..... | Consola..... | Konsol..... | | |
| 2 | VOE 946441 | 2 | | | | Flange screw..... | Vis à bride..... | Flanschschaube..... | Torn embridado..... | Flänsskruv..... | | |
| 3 | VOE 11130843 | 4 | | | | Clamp..... | Pince Serrage..... | Klemme..... | Abrazadera..... | Klämma..... | | |
| 4 | VOE 13965186 | 4 | | | | Flange screw..... | Vis à bride..... | Flanschschaube..... | Torn embridado..... | Flänsskruv..... | | |
| 5 | VOE 11704948 | 1 | | | | Accumulator..... | Accumulateur..... | Speicher..... | Acumulador..... | Ackumulator..... | | |
| 6 | | 1 | | | | Valve..... | Soupape..... | Ventil..... | Valvula..... | Ventil..... | See group 916, Page 861 | |
| 7 | VOE 936444 | 1 | | | | Testing Nipple..... | Raccord contrôle..... | Prufnippel..... | Niple Medicion..... | Mätnippel..... | | |
| 8 | VOE 13965189 | 2 | | | | Flange screw..... | Vis a bride..... | Flanschschaube..... | Torn embridado..... | Flänsskruv..... | | |
| 9 | | 1 | | | | Valve..... | Soupape..... | Ventil..... | Valvula..... | Ventil..... | See group 916, Page 863 | |
| 10 | VOE 13965189 | 2 | | | | Flange screw..... | Vis a bride..... | Flanschschaube..... | Torn embridado..... | Flänsskruv..... | | |
| 11 | VOE 13948699 | 1 | | | | O-ring..... | Joint Torique..... | O-Ring..... | Junta torica..... | O-ring..... | | |
| 12 | VOE 11410040 | 1 | | | | Conn Block..... | Bloc Raccord..... | Anschlusssockel..... | Bloque Conector..... | Anslutn.block..... | | |
| 13 | VOE 13965189 | 4 | | | | Flange screw..... | Vis a bride..... | Flanschschaube..... | Torn embridado..... | Flänsskruv..... | | |
| 14 | VOE 11172976 | 1 | | | | Pressure Pipe..... | Condui.pression..... | Druckrohr..... | Tubo Presion..... | Tryckrör..... | RH (+) | |
| 15 | VOE 13933907 | 1 | | | | Nipple..... | Raccord..... | Nippel..... | Niple..... | Nippel..... | | |
| 16 | VOE 981289 | 1 | | | | •O-ring..... | •Joint Torique..... | •O-Ring..... | •Junta torica..... | •O-ring..... | | |
| 17 | VOE 13967752 | 1 | | | | •O-ring..... | •Joint Torique..... | •O-Ring..... | •Junta torica..... | •O-ring..... | | |
| 18 | VOE 13933910 | 1 | | | | Elbow Nipple..... | Raccord angulaire..... | Winkelnippel..... | Niple Angular..... | V-nippel..... | | |
| 19 | VOE 981289 | 1 | | | | •O-ring..... | •Joint Torique..... | •O-Ring..... | •Junta torica..... | •O-ring..... | | |
| 20 | VOE 11173231 | 1 | | | | Hose assembly..... | Conduit flexible..... | Schlauchleitung..... | Conducto..... | Slangledning..... | L = 720MM | |
| 21 | VOE 935312 | 2 | | | | Flange Half..... | Demi-bride..... | Flanschkälfte..... | Media brida..... | Flänshalva..... | | |
| 22 | VOE 13946752 | 4 | | | | Screw..... | Vis..... | Schraube..... | Tornillo..... | Skruv..... | | |
| 23 | VOE 13948699 | 1 | | | | O-ring..... | Joint Torique..... | O-Ring..... | Junta torica..... | O-ring..... | | |
| 24 | VOE 13948699 | 1 | | | | O-ring..... | Joint Torique..... | O-Ring..... | Junta torica..... | O-ring..... | | |
| 25 | VOE 11410040 | 1 | | | | Conn Block..... | Bloc Raccord..... | Anschlusssockel..... | Bloque Conector..... | Anslutn.block..... | | |
| 26 | VOE 13965189 | 4 | | | | Flange screw..... | Vis a bride..... | Flanschschaube..... | Torn embridado..... | Flänsskruv..... | | |
| 27 | VOE 11172979 | 1 | | | | Pressure Pipe..... | Condui.pression..... | Druckrohr..... | Tubo Presion..... | Tryckrör..... | LH (-) | |
| 28 | VOE 13933907 | 1 | | | | Nipple..... | Raccord..... | Nippel..... | Niple..... | Nippel..... | | |
| 29 | VOE 981289 | 1 | | | | •O-ring..... | •Joint Torique..... | •O-Ring..... | •Junta torica..... | •O-ring..... | | |
| 30 | VOE 13967752 | 1 | | | | •O-ring..... | •Joint Torique..... | •O-Ring..... | •Junta torica..... | •O-ring..... | | |

| | | | | |
|---|--|---|-----------------------|------------|
| 1 | | Svängningsdämpare Amortiguador de vibraciones Schwingungsdämpfer Amortisseur vibrations Boom suspension system 80931 | Catalogue id | Group |
| 2 | | | 20007 | 916 |
| 3 | | | Illustr. No | Section |
| 4 | | | 1015025 | 100 |
| 5 | | | Issue | Page |
| | | | VOE 63D9920007 | 855 |

VOLVO

L90E



Volvo Construction
Equipment
1015025

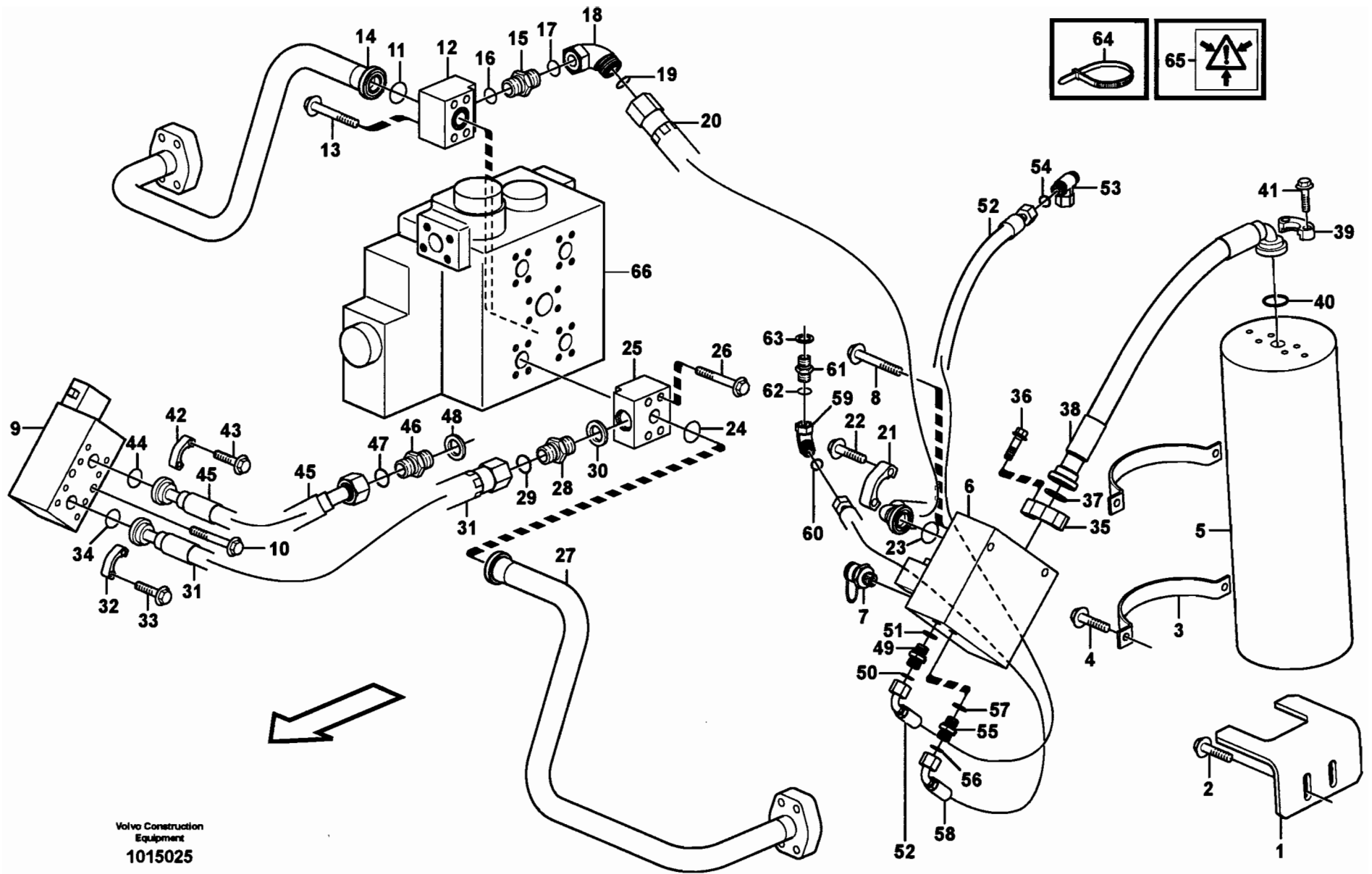


| Fig. | Part No. | Quantity | | | P S | K I T | Description | Dénomination | Bezeichnung | Denominación | Benämning | Notes |
|------|--------------|----------|---|---|--------|---------------------|---------------------------|-----------------------|---------------------|---------------------|-----------|-------|
| | | 1 | 2 | 3 | | | | | | | | |
| 31 | VOE 11173232 | 1 | | | | Hose assembly | Conduit flexible | Schlauchleitung | Conducto | Slangledning..... | L = 600MM | |
| 32 | VOE 935312 | 2 | | | | Flange Half..... | Demi-bride | Flanschhälfte..... | Media brida | Flänshalva..... | | |
| 33 | VOE 13946752 | 4 | | | | Screw | Vis | Schraube..... | Tornillo | Skruv..... | | |
| 34 | VOE 13948699 | 1 | | | | O-ring | Joint Torique | O-Ring..... | Junta torica..... | O-ring..... | | |
| 35 | VOE 935312 | 2 | | | | Flange Half..... | Demi-bride | Flanschhälfte..... | Media brida | Flänshalva..... | | |
| 36 | VOE 13946752 | 4 | | | | Screw | Vis | Schraube..... | Tornillo | Skruv..... | | |
| 37 | VOE 13948699 | 1 | | | | O-ring | Joint Torique | O-Ring..... | Junta torica..... | O-ring..... | | |
| 38 | VOE 11173233 | 1 | | | | Hose assembly | Conduit flexible | Schlauchleitung | Conducto | Slangledning..... | L = 580MM | |
| 39 | VOE 935312 | 2 | | | | Flange Half..... | Demi-bride | Flanschhälfte..... | Media brida | Flänshalva..... | | |
| 40 | VOE 13948699 | 1 | | | | O-ring | Joint Torique | O-Ring..... | Junta torica..... | O-ring..... | | |
| 41 | VOE 13946752 | 4 | | | | Screw | Vis | Schraube..... | Tornillo | Skruv..... | | |
| 42 | VOE 11015454 | 2 | | | | Flange Half..... | Demi-bride | Flanschhälfte..... | Media brida | Flänshalva..... | | |
| 43 | VOE 946472 | 4 | | | | Flange screw..... | Vis à bride | Flanschschraube..... | Torn embridado..... | Flänsskruv..... | | |
| 44 | VOE 13948699 | 1 | | | | O-ring | Joint Torique | O-Ring..... | Junta torica..... | O-ring..... | | |
| 45 | VOE 11173234 | 1 | | | | Hose assembly | Conduit flexible | Schlauchleitung | Conducto | Slangledning..... | L = 570MM | |
| 46 | VOE 13933906 | 1 | | | | Nipple..... | Raccord..... | Nippel..... | Niple..... | Nippel..... | | |
| 47 | VOE 981289 | 1 | | | | •O-ring..... | •Joint Torique | •O-Ring..... | •Junta torica | •O-ring..... | | |
| 48 | VOE 14211859 | 1 | | | | •Sealing ring..... | •Bague d'étanchéité | •Runddichtring..... | •Anillo reten | •Tättningsring..... | | |
| 49 | VOE 13933855 | 1 | | | | Nipple..... | Raccord..... | Nippel..... | Niple..... | Nippel..... | | |
| 50 | VOE 4880492 | 1 | | | | •O-ring..... | •Joint Torique | •O-Ring..... | •Junta torica | •O-ring..... | | |
| 51 | VOE 14213676 | 1 | | | | •Sealing ring..... | •Bague d'étanchéité | •Runddichtring..... | •Anillo reten | •Tättningsring..... | | |
| 52 | VOE 11148960 | 1 | | | | Hose assembly | Conduit flexible | Schlauchleitung..... | Conducto | Slangledning..... | L = 870MM | |
| 53 | VOE 13933912 | 1 | | | | T-nipple..... | Raccord-t | T-Nippel..... | Niple T..... | T-nippel..... | | |
| 54 | VOE 4880492 | 2 | | | | •O-ring..... | •Joint Torique | •O-Ring..... | •Junta torica | •O-ring..... | | |
| 55 | VOE 13933855 | 1 | | | | Nipple..... | Raccord..... | Nippel..... | Niple..... | Nippel..... | | |
| 56 | VOE 4880492 | 1 | | | | •O-ring..... | •Joint Torique | •O-Ring..... | •Junta torica | •O-ring..... | | |
| 57 | VOE 14213676 | 1 | | | | •Sealing ring..... | •Bague d'étanchéité | •Runddichtring..... | •Anillo reten | •Tättningsring..... | | |
| 58 | VOE 11148958 | 1 | | | | Hose assembly | Conduit flexible | Schlauchleitung..... | Conducto | Slangledning..... | L = 650MM | |
| 59 | VOE 13933900 | 1 | | | | Elbow nipple..... | Raccord angulaire..... | Winkelrippel..... | Niple angular | Vinkelrippel..... | | |
| 60 | VOE 4880492 | 1 | | | | •O-ring..... | •Joint Torique | •O-Ring..... | •Junta torica | •O-ring..... | | |

| | | | | |
|---|--|------------------------------------|-----------------------|------------|
| 1 | | Svängningsdämpare | Catalogue id | Group |
| 2 | | Amortiguador de vibraciones | 20007 | 916 |
| 3 | | Schwingungsdämpfer | Illustr. No | Section |
| 4 | | Amortisseur vibrations | 1015025 | 100 |
| 5 | | Boom suspension system | Issue | Page |
| | | 80931 | VOE 63D9920007 | 857 |

VOLVO

L90E



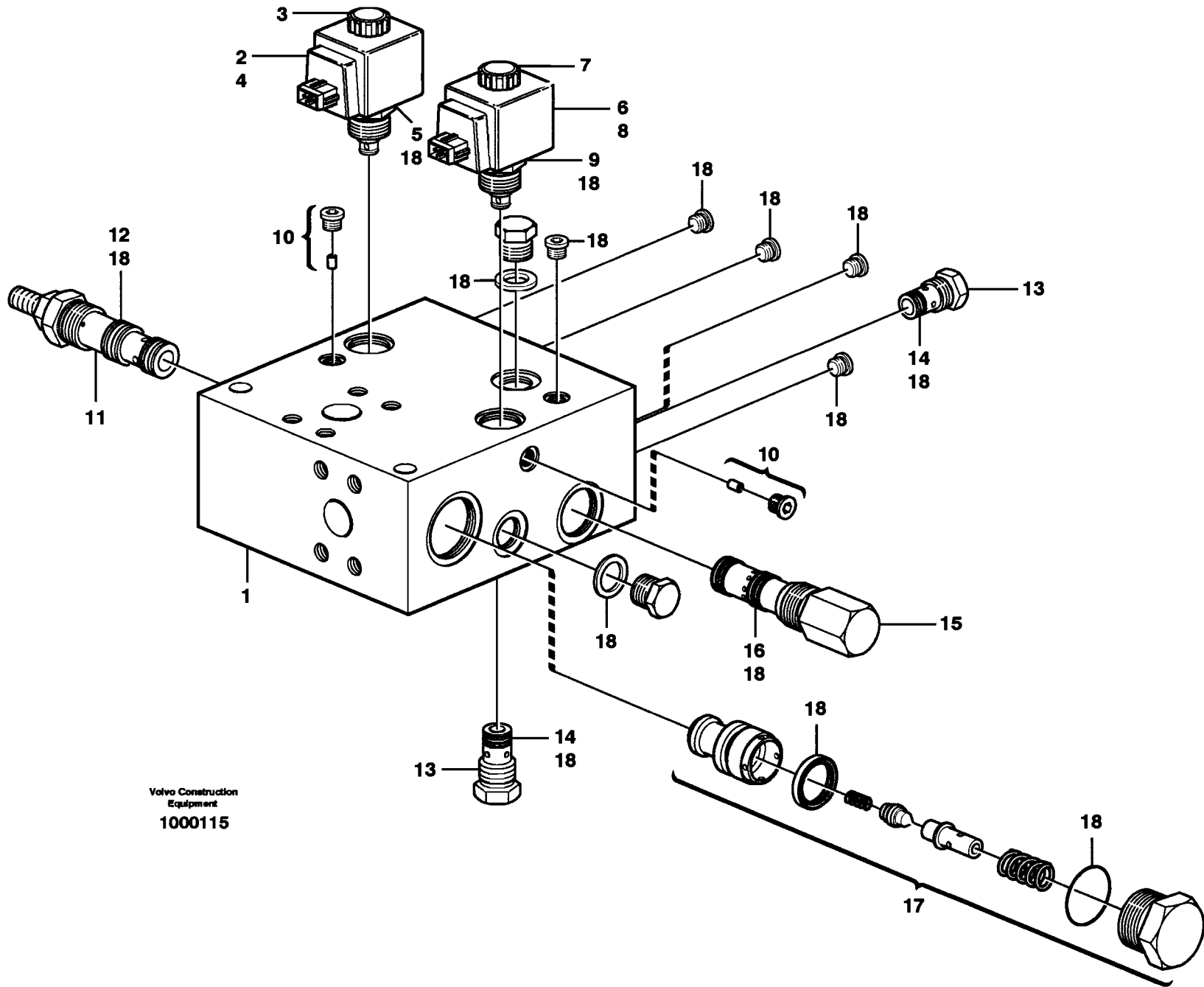
Volvo Construction
Equipment
1015025

| Fig. | Part No. | Quantity | | | P S | K I T | Description | Dénomination | Bezeichnung | Denominación | Benämning | Notes |
|------|--------------|----------|---|---|--------|--------------------|------------------------|---------------------|------------------------|---------------------|-------------------------|-------|
| | | 1 | 2 | 3 | | | | | | | | |
| 61 | VOE 14345423 | 1 | | | | Nipple..... | Raccord..... | Nippel..... | Niple..... | Nippel..... | | |
| 62 | VOE 4880492 | 1 | | | | •O-ring..... | •Joint Torique..... | •O-Ring..... | •Junta torica..... | •O-ring..... | | |
| 63 | VOE 14211856 | 1 | | | | •Sealing ring..... | •Bague d'étanchéité .. | •Runddichtring..... | •Anillo reten..... | •Tättningsring..... | | |
| 64 | VOE 4881440 | REQ | | | | Strip Clamp..... | Ruban Serrage..... | Kabelbinder..... | Abraz Cinta..... | Bandklamma..... | | |
| 65 | VOE 11003865 | 3 | | | | Decal..... | Decalcomanie..... | Abziehbild..... | Decalcomania..... | Dekal..... | See group 897, Page 779 | |
| 66 | | 1 | | | | Control valve..... | Valve de commande .. | Steuerventil..... | Válvula de mando | Manöverventil..... | See group 912, Page 819 | |

| | | | | |
|---|-------|---|----------------|------------|
| 1 | | Svängningsdämpare Amortiguador de vibraciones Schwingungsdämpfer Amortisseur vibrations Boom suspension system | Catalogue id | Group |
| 2 | | | 20007 | 916 |
| 3 | | | Illustr. No | Section |
| 4 | | | 1015025 | 100 |
| 5 | | | Issue | Page |
| | 80931 | | VOE 63D9920007 | 859 |

VOLVO

L90E



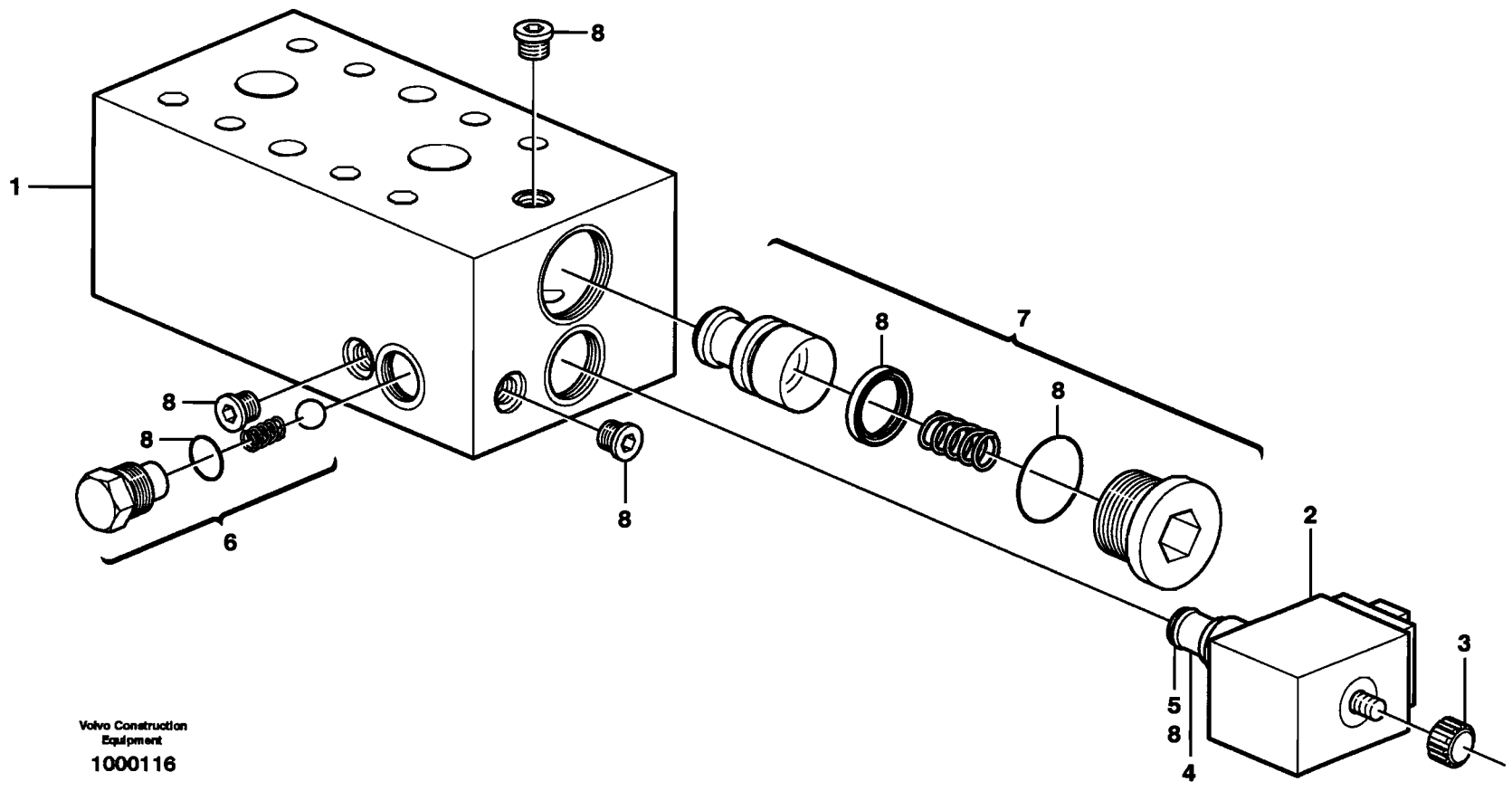
Volvo Construction
Equipment
1000115

| Fig. | Part No. | Quantity | | | P S | K I T | Description | Dénomination | Bezeichnung | Denominación | Benämning | Notes |
|------|--------------|----------|---|---|--------|------------------|-------------------|-------------------|-----------------------|------------------|-------------|-------|
| | | 1 | 2 | 3 | | | | | | | | |
| 1 | VOE 11148257 | 1 | | | | Valve | Soupape | Ventil | Valvula | Ventil | S/N - 21033 | |
| | VOE 11410639 | | 1 | | | Valve | Soupape | Ventil | Valvula | Ventil | S/N 21034 - | |
| 2 | VOE 11705917 | 1 | 1 | | | •Sol Valve Kit | •Jeu Electrovan | •Magnetventsatz | •Juego Electrov | •Magnetventsats | CT1, MA910 | |
| 3 | VOE 11706062 | 1 | 1 | | | ••Nut Set | ••Jeu D'ecruous | ••Mutternsatz | ••Juego Tuercas | ••Muttersats | | |
| 4 | VOE 11706063 | 1 | 1 | | | ••Coil | ••Bobine | ••Wickel | ••Bobina | ••Spole | | |
| 5 | VOE 11706064 | 1 | 1 | | | ••Sealing Kit | ••Jeu Joints | ••Dichtungssatz | ••Juego Retenes | ••Tätningssats | | |
| 6 | VOE 11705918 | 1 | 1 | | | •Sol Valve Kit | •Jeu Electrovan | •Magnetventsatz | •Juego Electrov | •Magnetventsats | CT4, MA911 | |
| 7 | VOE 11706065 | 1 | 1 | | | ••Nut Set | ••Jeu D'ecruous | ••Mutternsatz | ••Juego Tuercas | ••Muttersats | | |
| 8 | VOE 11714081 | 1 | 1 | | | ••Coil | ••Spirale | ••Spirale | ••Espiral | ••Spiral | | |
| 9 | VOE 11706064 | 1 | 1 | | | ••Sealing Kit | ••Jeu Joints | ••Dichtungssatz | ••Juego Retenes | ••Tätningssats | | |
| 10 | VOE 11706059 | 2 | | | | •Restrictor | •Etrangleur | •Drosselung | •Estrangulacion | •Strypning | CT3, CT10 | |
| | VOE 11714082 | | 1 | | | •Shuttle Valve | •Valve Navette | •Wechselventil | •Valv Lanzadera | •Skyttelventil | | |
| 11 | VOE 11706070 | 1 | 1 | | | •Press rdc valve | •Soupape reduct | •Druckred.ventil | •Valvula red pre | •Tryckred.ventil | CT8 | |
| 12 | VOE 11706071 | 1 | 1 | | | ••Sealing Kit | ••Jeu Joints | ••Dichtungssatz | ••Juego Retenes | ••Tätningssats | | |
| 13 | VOE 11706066 | 2 | | | | •Check Valve Kit | •Kit Antiretour | •R Ventilsatz | •Jg Valv Reten | •Backventilsats | CT5, CT6 | |
| | VOE 11714080 | | 2 | | | •Check valve | •Valve antiretour | •Rückschlagventil | •Válvula de retención | •Backventil | | |
| 14 | VOE 11706067 | 2 | 2 | | | ••Sealing Kit | ••Jeu Joints | ••Dichtungssatz | ••Juego Retenes | ••Tätningssats | | |
| 15 | VOE 11706068 | 1 | 1 | | | •Press Regulator | •Regulateu Press | •Druckregler | •Regul Presion | •Tryckregulator | CT7 | |
| 16 | VOE 11706069 | 1 | 1 | | | ••Sealing Kit | ••Jeu Joints | ••Dichtungssatz | ••Juego Retenes | ••Tätningssats | | |
| 17 | VOE 11706072 | 1 | | | | •Valve | •Soupape | •Ventil | •Valvula | •Ventil | CT9 | |
| 18 | VOE 11706788 | 1 | 1 | | | Sealing Kit | Jeu Joints | Dichtungssatz | Juego Retenes | Tätningssats | | |

| | | | | |
|---|----------|---|-----------------------|------------|
| 1 | 11148257 | Avlastningsventil. Válvula. Ventil. Soupape. Relief valve. | Catalogue id | Group |
| 2 | 11410639 | | 20007 | 916 |
| 3 | | | Illustr. No | Section |
| 4 | | | 1000115 | 150 |
| 5 | | | Issue | Page |
| | | 80931 | VOE 63D9920007 | 861 |

VOLVO

L90E



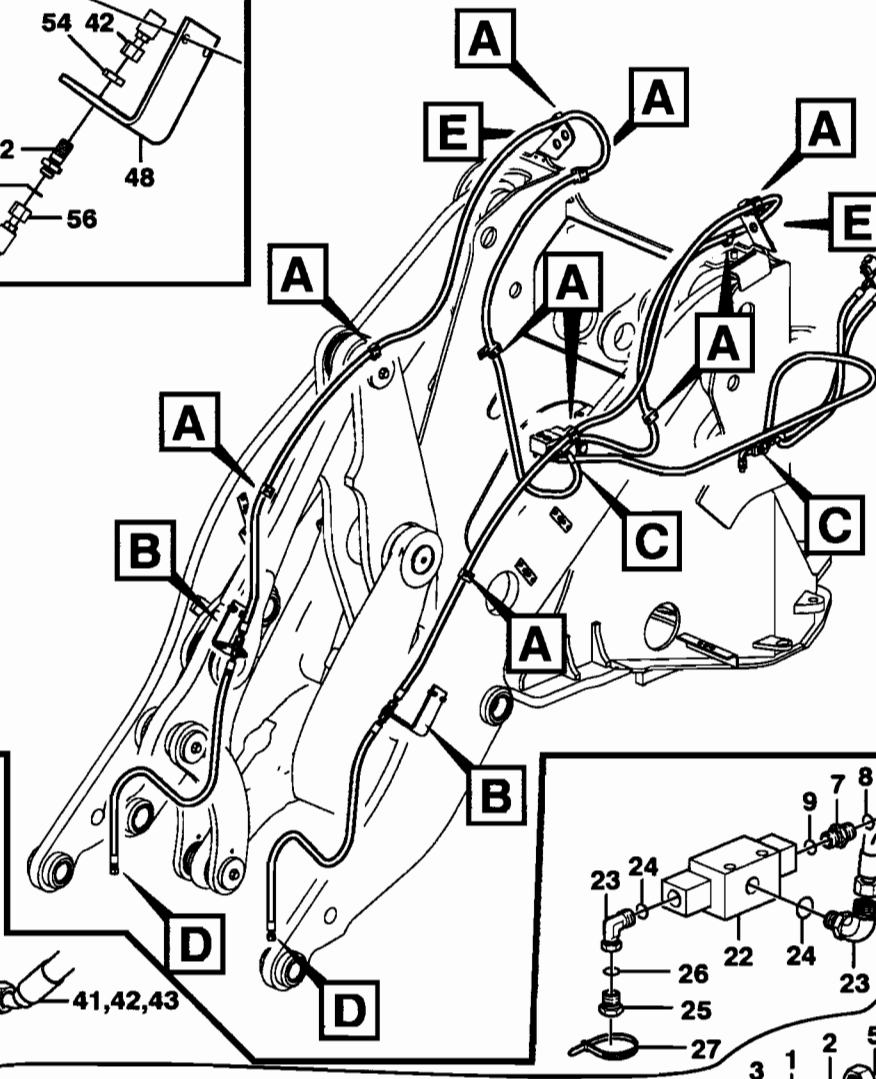
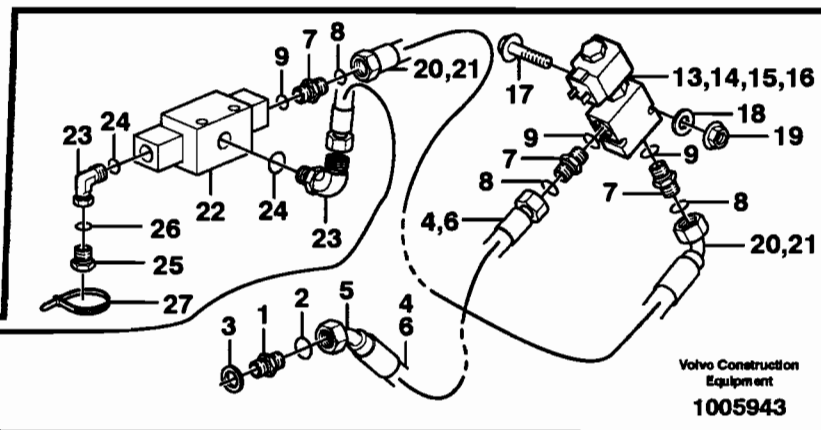
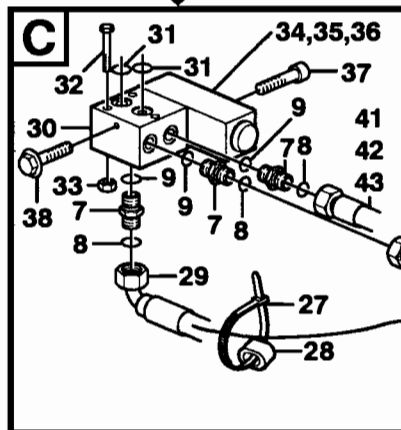
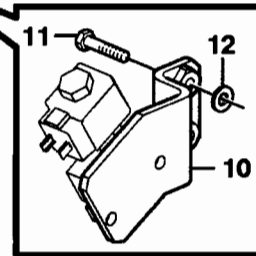
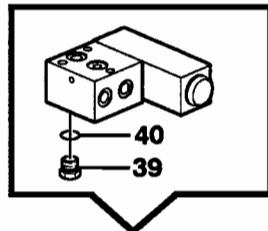
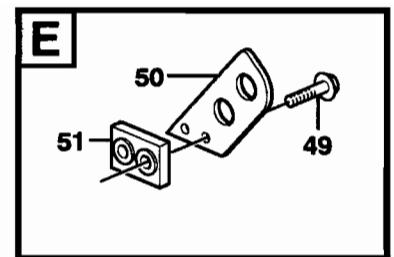
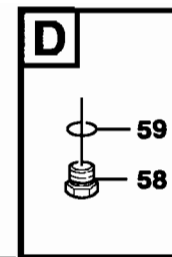
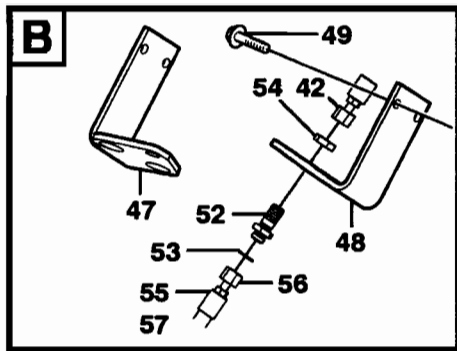
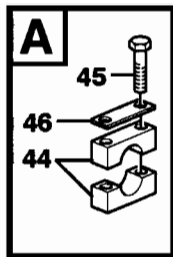
Volvo Construction
 Equipment
 1000116

| Fig. | Part No. | Quantity | | | P S | K I T | Description | Dénomination | Bezeichnung | Denominación | Benämning | Notes |
|------|--------------|----------|---|---|--------|------------------------|-----------------------|-----------------------|-----------------------|-----------------------|------------|-------|
| | | 1 | 2 | 3 | | | | | | | | |
| 1 | VOE 11101827 | 1 | | | | Valve | Soupape | Ventil | Valvula | Ventil | | |
| 2 | VOE 11705917 | 1 | | | | •Sol Valve Kit | •Jeu Electrovan. | •Magnetventsatz | •Juego Electrov | •Magnetventsats | CT1, MA908 | |
| 3 | VOE 11706062 | 1 | | | | ••Nut Set | ••Jeu D'ecruous | ••Muttersatz | ••Juego Tuercas | ••Muttersats | | |
| 4 | VOE 11714081 | 1 | | | | ••Coil | ••Spirale | ••Spirale | ••Espiral | ••Spiral | | |
| 5 | VOE 11706064 | 1 | | | | ••Sealing Kit | ••Jeu Joints | ••Dichtungssatz | ••Juego Retenes | ••Tätningssats | | |
| 6 | VOE 11706074 | 1 | | | | •Check Valve Kit | •Kit Antiretour | •R Ventilsatz | •Jg Valv Reten | •Backventilsats | CT2 | |
| 7 | VOE 11706075 | 1 | | | | •Valve | •Soupape | •Ventil | •Valvula | •Ventil | CT3 | |
| 8 | VOE 11706789 | 1 | | | | Sealing Kit | Jeu Joints | Dichtungssatz | Juego Retenes | Tätningssats | | |

| | | | | |
|---|--|---|-----------------------|------------|
| 1 | | Avlastningsventil. Válvula. Ventil. Soupape. Relief valve. 80931 | Catalogue id | Group |
| 2 | | | 20007 | 916 |
| 3 | | | Illustr. No | Section |
| 4 | | | 1000116 | 200 |
| 5 | | | Issue | Page |
| | | | VOE 63D9920007 | 863 |

VOLVO

L90E



Volvo Construction
Equipment
1005943

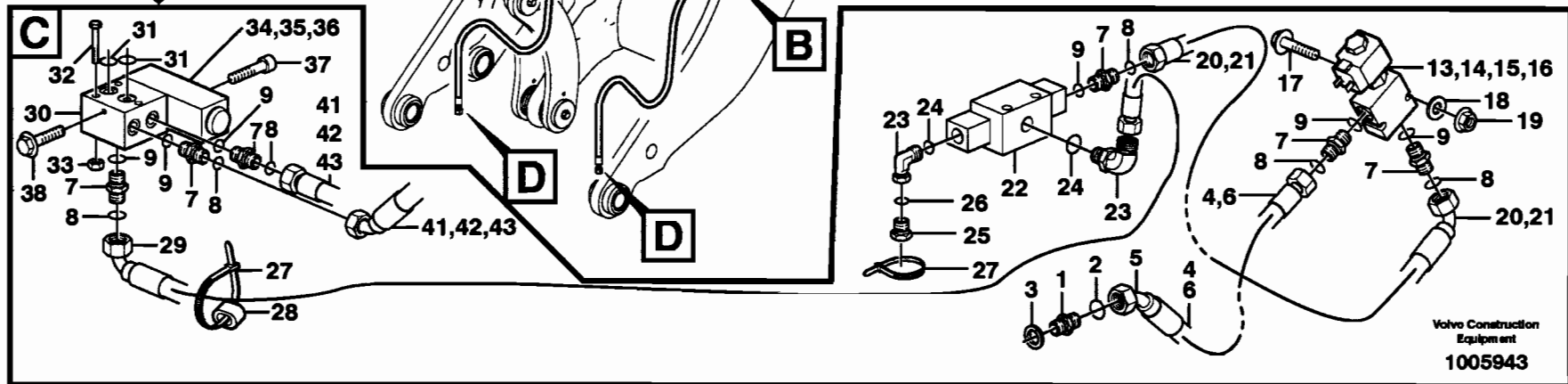
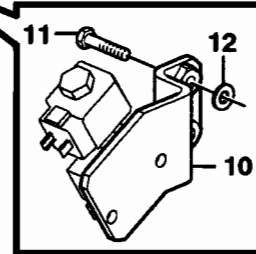
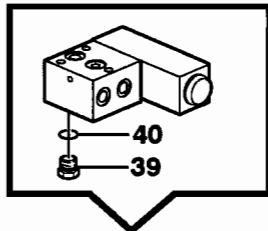
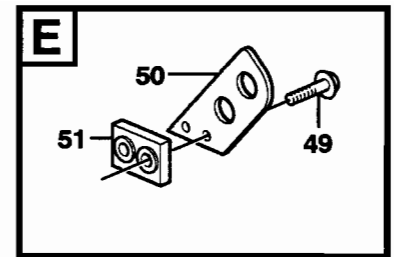
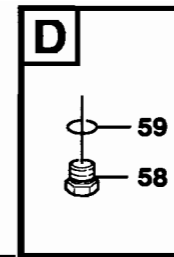
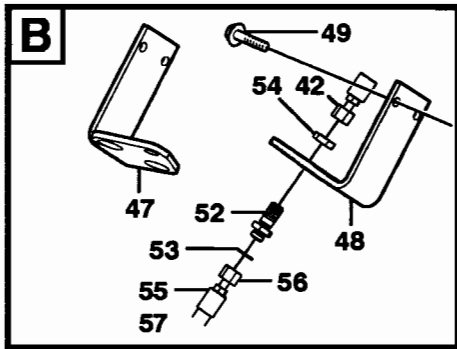
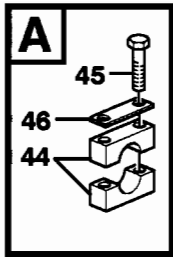
| Fig. | Part No. | Quantity | | | | | P S | K I T | Description | Dénomination | Bezeichnung | Denominación | Benämning | Notes |
|------|--------------|----------|---|---|---|---|--------|-----------------------|--------------------------|------------------------|----------------------|---------------------|-----------|-------|
| | | 1 | 2 | 3 | 4 | 5 | | | | | | | | |
| 1 | VOE 14345423 | 1 | | | | | | Nipple..... | Raccord..... | Nippel..... | Niple | Nippel..... | | |
| 2 | VOE 4880492 | 1 | | | | | | •O-ring | •Joint Torique | •O-Ring | •Junta torica..... | •O-ring..... | | |
| 3 | VOE 14211856 | 1 | | | | | | •Sealing ring | •Bague d'étanchéït | •Runddichtring | •Anillo reten | •Tätningssring..... | | |
| 4 | VOE 11172008 | 1 | | | | | | Hose assembly | Conduit flexible..... | Schlauchleitung | Conducto | Slangledning..... | 3/8*750 | |
| 5 | VOE 11148915 | 1 | | | | | | •Hose Nipple..... | •Raccor.flexible | •Schlauchnippel | •Niple Manguera..... | •Slangnippel..... | | |
| 6 | VOE 927503 | ERQ | | | | | | •Hydraulic Hose | •Flexible Hydra | •Druckölschlauch | •Conducto Hidr | •Hydraulslang..... | | |
| 7 | VOE 13933897 | 5 | | | | | | Nipple..... | Raccord..... | Nippel..... | Niple | Nippel..... | | |
| 8 | VOE 4880492 | 1 | | | | | | •O-ring | •Joint Torique | •O-Ring | •Junta torica..... | •O-ring..... | | |
| 9 | VOE 14211856 | 1 | | | | | | •Sealing ring | •Bague d'étanchéït | •Runddichtring | •Anillo reten | •Tätningssring..... | | |
| 10 | VOE 11173569 | 1 | | | | | | Attachment..... | Fixation..... | Halterung | Fijacion..... | Fäste..... | 80930 | |
| 11 | VOE 13945444 | 2 | | | | | | Flange screw | Vis à bride | Flanschschraube | Torn embridado | Flänsskruv..... | 80930 | |
| 12 | VOE 13960141 | 2 | | | | | | Washer | Rondelle | Scheibe..... | Arandela | Bricka..... | 80930 | |
| 13 | VOE 11173930 | 1 | | | | | | Valve..... | Soupape..... | Ventil..... | Valvula..... | Ventil..... | 80930 | |
| 14 | VOE 11709837 | 1 | | | | | | •Coil | •Bobine..... | •Wickel | •Bobina..... | •Spole..... | 80930 | |
| 15 | VOE 11709838 | 1 | | | | | | •Sealing Kit | •Jeu Joints | •Dichtungssatz | •Juego Retenes | •Tätningssats..... | 80930 | |
| 16 | VOE 11709839 | 1 | | | | | | •Nut..... | •Ecrou..... | •Mutter | •Tuerca..... | •Mutter..... | 80930 | |
| 17 | VOE 13965177 | 2 | | | | | | Flange screw | Vis à bride | Flanschschraube | Torn embridado | Flänsskruv..... | 80930 | |
| 18 | VOE 960139 | 2 | | | | | | Washer | Rondelle | Scheibe..... | Arandela | Bricka..... | 80930 | |
| 19 | VOE 13949278 | 2 | | | | | | Flange Lock Nut..... | Contre écrou bride.. | Flanschmutter | Contratuer Embr..... | Flänslåsmutter..... | 80930 | |
| 20 | VOE 11148959 | 1 | | | | | | Hose assembly | Conduit flexible..... | Schlauchleitung | Conducto | Slangledning..... | 3/8*700 | |
| 21 | VOE 927503 | ERQ | | | | | | •Hydraulic Hose | •Flexible Hydra | •Druckölschlauch | •Conducto Hidr | •Hydraulslang..... | | |
| 22 | VOE 4880701 | 1 | | | | | | Shuttle Valve..... | Valve Navette..... | Wechselventil..... | Valv Lanzadera | Skyttelventil..... | | |
| 23 | VOE 13933913 | 2 | | | | | | Elbow nipple | Raccord angulaire.. | Winkelnippel | Niple angular | Vinkelnippel..... | | |
| 24 | VOE 4880492 | 1 | | | | | | •O-ring | •Joint Torique | •O-Ring | •Junta torica..... | •O-ring..... | | |
| 25 | VOE 935879 | 1 | | | | | | Adapter | Raccord Reduct..... | Verbind Stutzen | Adaptador | Adapter..... | | |
| 26 | VOE 14211856 | 1 | | | | | | •Sealing ring | •Bague d'étanchéït | •Runddichtring | •Anillo reten | •Tätningssring..... | | |
| 27 | VOE 4881440 | 6 | | | | | | Strip Clamp | Ruban Serrage..... | Kabelbinder..... | Abraz Cinta..... | Bandklamma..... | | |
| 28 | VOE 4881454 | 2 | | | | | | Marking Sleeve | Douill.marquage | Kennhülse | Manguit Marcaje..... | Märkhylsa..... | | |
| 29 | VOE 11173227 | 1 | | | | | | Hose Assembly..... | Condui.flexible..... | Schlauchleitung | Conducto | Slangledning..... | 3/8*1700 | |
| 30 | VOE 11025316 | 1 | | | | | | Conn Block | Bloc Raccord..... | Anschlusssockel | Bloque Conector..... | Anslutn.block..... | | |

| | | | | |
|---|--|---|----------------|---------|
| 1 | | Hydraulutrustning för redskapsfäste. | Catalogue id | Group |
| 2 | | Sistema hidráulica, soporte de implementos. | 20007 | 924 |
| 3 | | Druckölsystem, Geräteschnellkupplung. | Illustr. No | Section |
| 4 | | Système hydraulique, porte d'outil. | 1005943 | 100 |
| 5 | | Hydraulic system for attachment bracket. | Issue | Page |
| | | 80933 | VOE 63D9920007 | 865 |

VOLVO

L90E





Volvo Construction
Equipment
1005943

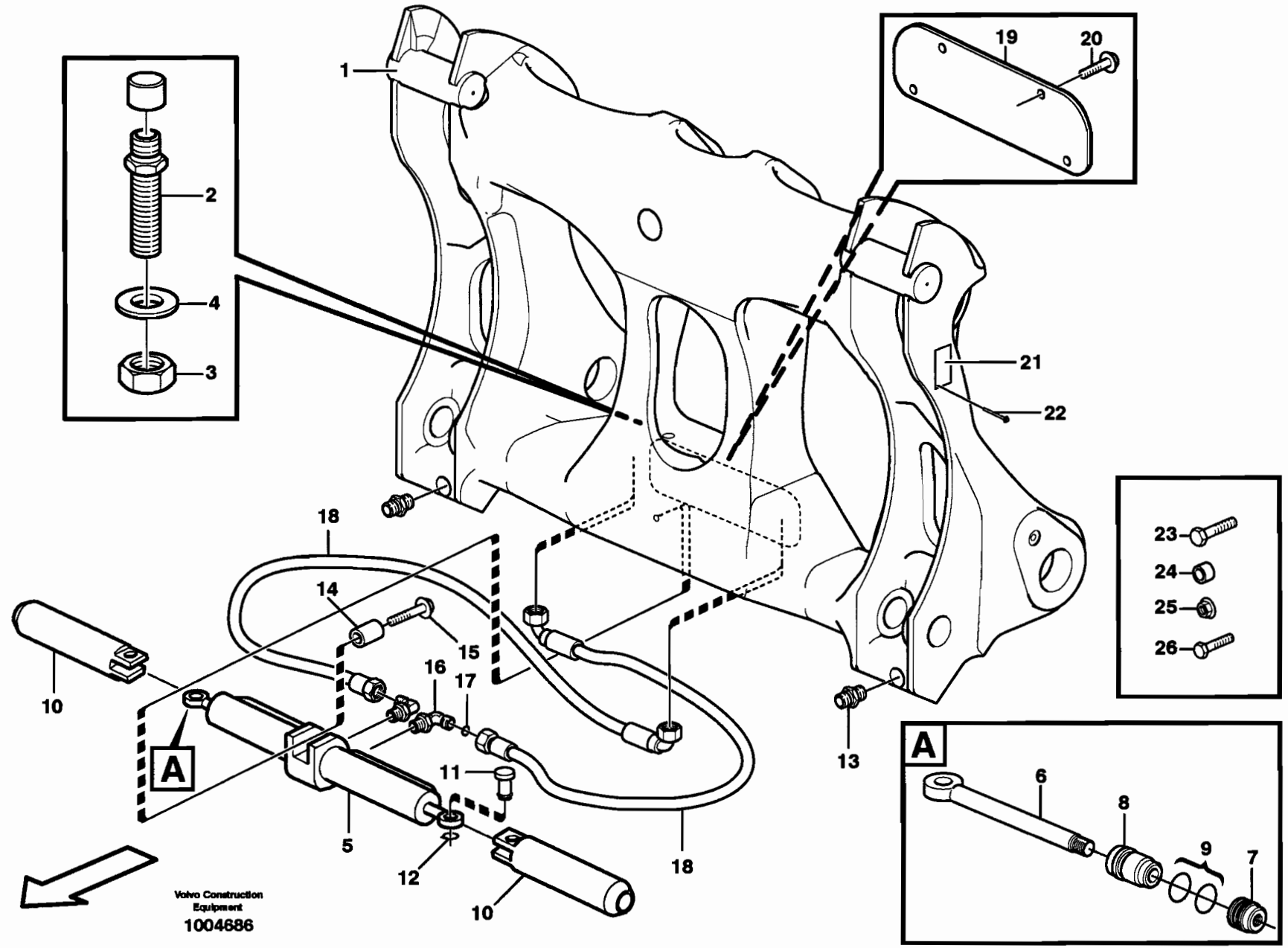
| Fig. | Part No. | Quantity | | | | | P S | K T | Description | Dénomination | Bezeichnung | Denominación | Benämning | Notes |
|------|--------------|----------|---|---|---|---|--------|-----------------------|---------------------------|------------------------|-----------------------|---------------------|-----------|-------|
| | | 1 | 2 | 3 | 4 | 5 | | | | | | | | |
| 31 | VOE 13960168 | 2 | | | | | | O-ring..... | Joint Torique | O-Ring | Junta torica..... | O-ring..... | | |
| 32 | VOE 955309 | 3 | | | | | | Hexagon screw | Vis tête hexagonale | Sechskantschraub | Tornillo hexago | Sexkantsskruv..... | | |
| 33 | VOE 955782 | 3 | | | | | | Hexagon Nut..... | Ecrou Hexagonal.... | Sechskantmutter | Tuerca Hexagon | Sexkantsmutter..... | | |
| 34 | VOE 11173166 | 1 | | | | | | Solenoid valve | Vanne electrom. | Magnetventil | Electrovalvula | Magnetventil..... | | |
| 35 | VOE 11708930 | 1 | | | | | | •Magnet | •Aimant..... | •Magnet..... | •Iman | •Magnet..... | | |
| 36 | VOE 11993637 | 1 | | | | | | •Sealing Kit | •Jeu Joints..... | •Dichtungssatz | •Juego Retenes | •Tätningssats..... | | |
| 37 | VOE 959193 | 4 | | | | | | Allen Hd Screw | Vis A 6 Pans Cr | Inbusschraube | Torn Hex Embut | Insexskruv..... | | |
| 38 | VOE 13946173 | 1 | | | | | | Flange screw | Vis à bride | Flanschschraube | Torn embridado | Flänsskruv..... | | |
| 39 | VOE 926370 | 1 | | | | | | Plug..... | Bouchon | Stopfen | Tapon | Plugg..... | | |
| 40 | VOE 13949574 | 1 | | | | | | O-ring..... | Joint Torique | O-Ring | Junta torica..... | O-ring..... | | |
| 41 | VOE 11173668 | 2 | | | | | | Hose assembly | Conduit flexible..... | Schlauchleitung | Conducto | Slangledning..... | 3/8*4000 | |
| 42 | VOE 11148915 | 1 | | | | | | •Hose Nipple | •Raccor.flexible | •Schlauchnippel | •Niple Manguera..... | •Slangnippel..... | | |
| 43 | VOE 927503 | ERQ | | | | | | •Hydraulic Hose | •Flexible Hydra | •Druckölschlauch | •Conducto Hidr | •Hydraulslang..... | | |
| 44 | VOE 11173899 | 10 | | | | | | Clamp | Pince Serrage | Klemme..... | Abrazadera..... | Klämna..... | | |
| 45 | VOE 13965176 | 20 | | | | | | Flange screw | Vis à bride | Flanschschraube | Torn embridado | Flänsskruv..... | | |
| 46 | VOE 11003048 | 10 | | | | | | Cover Plate | Protection en tole | Schutzblech | Placa Tapa | Täckplatta..... | | |
| 47 | VOE 11173600 | 1 | | | | | | Attachment..... | Fixation..... | Halterung | Fijacion | Fäste..... | | |
| 48 | VOE 11173602 | 1 | | | | | | Attachment..... | Fixation..... | Halterung | Fijacion | Fäste..... | | |
| 49 | VOE 946441 | 8 | | | | | | Flange screw | Vis à bride | Flanschschraube | Torn embridado | Flänsskruv..... | | |
| 50 | VOE 11410346 | 2 | | | | | | Bracket..... | Console | Konsole..... | Consola | Konsol..... | | |
| 51 | VOE 4785466 | 1 | | | | | | Attaching Plate..... | Fer Fixation | Befestigungslasch..... | Plato Fijacion..... | Fästjäm..... | | |
| 52 | VOE 935425 | 2 | | | | | | Nipple..... | Raccord..... | Nippel..... | Niple | Nippel..... | | |
| 53 | VOE 4880492 | 2 | | | | | | •O-ring | •Joint Torique | •O-Ring | •Junta torica..... | •O-ring..... | | |
| 54 | VOE 935429 | 2 | | | | | | Lock nut | Contre-ecrou | Sicherungsmutter..... | Contratuerca..... | Låsmutter..... | | |
| 55 | VOE 11148953 | 2 | | | | | | Hose assembly | Conduit flexible..... | Schlauchleitung | Conducto | Slangledning..... | 3/8*1225 | |
| 56 | VOE 11148915 | 1 | | | | | | •Hose Nipple | •Raccor.flexible | •Schlauchnippel | •Niple Manguera..... | •Slangnippel..... | | |
| 57 | VOE 927503 | ERQ | | | | | | •Hydraulic Hose | •Flexible Hydra | •Druckölschlauch | •Conducto Hidr | •Hydraulslang..... | | |
| 58 | VOE 935651 | 2 | | | | | | Plug..... | Bouchon | Stopfen | Tapon | Plugg..... | | |
| 59 | VOE 4880492 | 1 | | | | | | •O-ring | •Joint Torique | •O-Ring | •Junta torica..... | •O-ring..... | | |

| | | | | |
|---|--|--|-----------------------|------------|
| 1 | | Hydraulutrustning för redskapsfäste. Sistema hidráulica, soporte de implementos. Druckölsystem, Geräteschnellkupplung. Système hydraulique, porte d'outil. Hydraulic system for attachment bracket. | Catalogue id | Group |
| 2 | | | 20007 | 924 |
| 3 | | | Illustr. No | Section |
| 4 | | | 1005943 | 100 |
| 5 | | | Issue | Page |
| | | 80933 | VOE 63D9920007 | 867 |

VOLVO

L90E





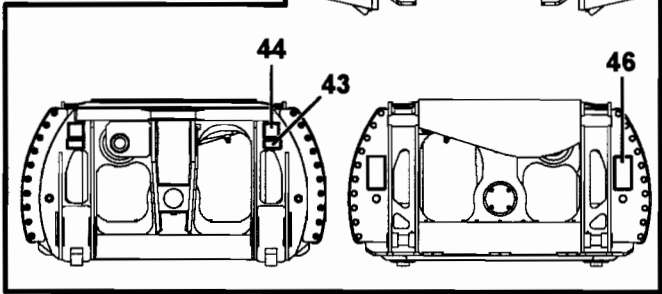
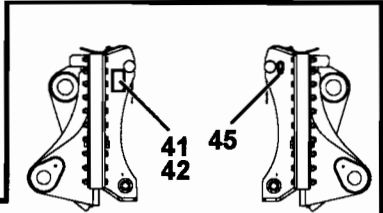
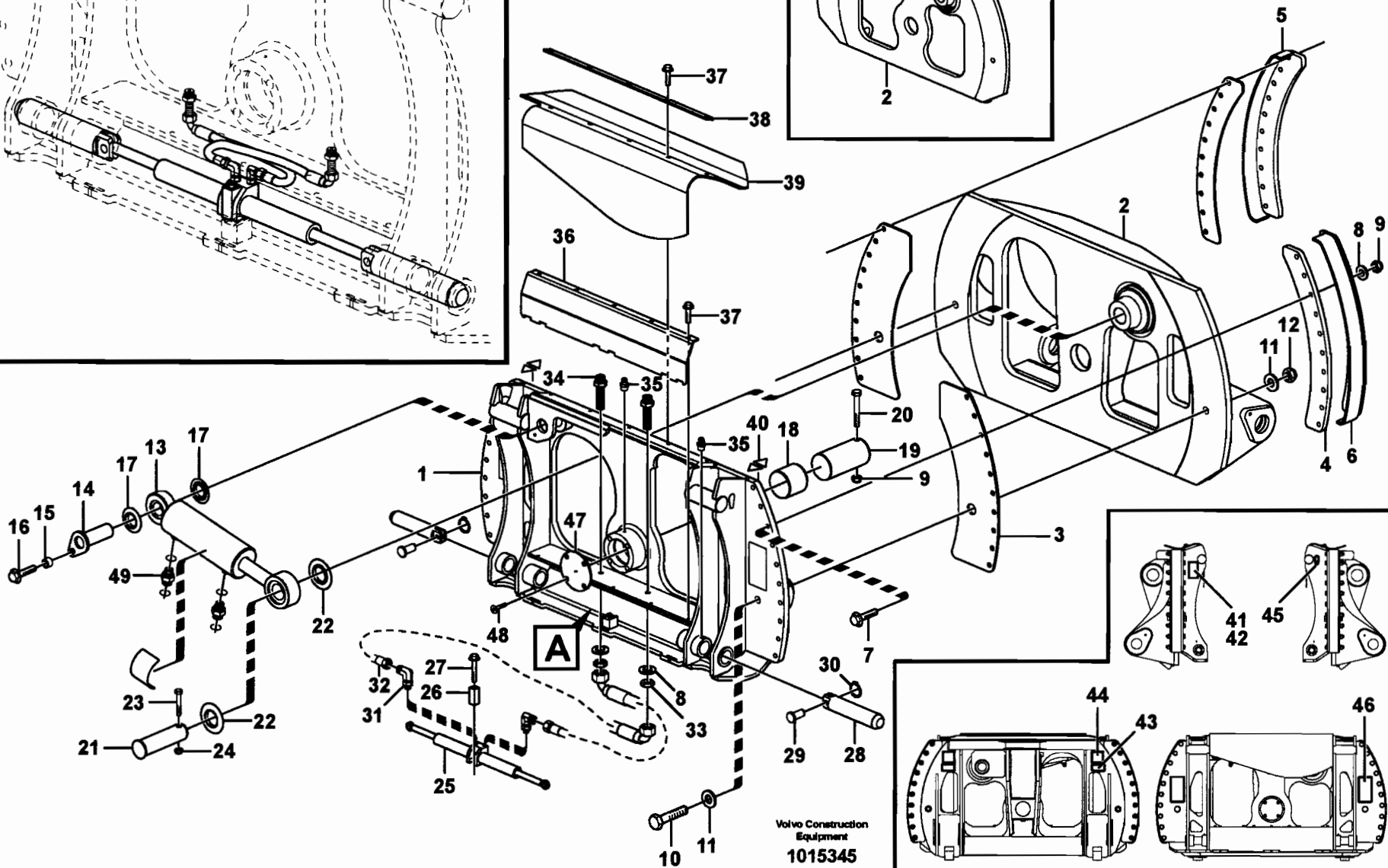
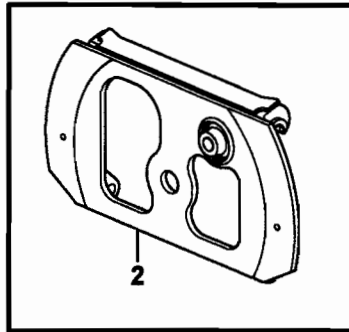
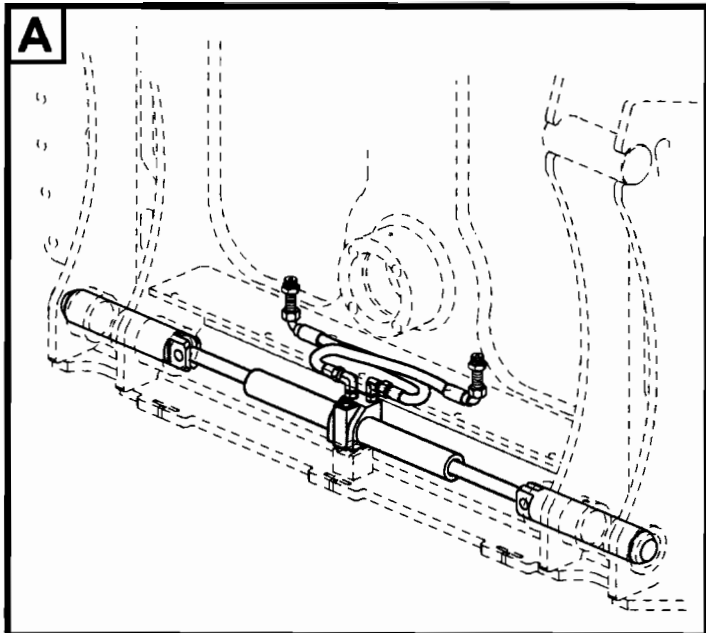
Volvo Construction
Equipment
1004686

| Fig. | Part No. | Quantity | | | P S | K I T | Description | Dénomination | Bezeichnung | Denominación | Benämning | Notes |
|------|--------------|----------|---|---|--------|----------------------|--------------------------|------------------------|-------------------------|---------------------|----------------|-------|
| | | 1 | 2 | 3 | | | | | | | | |
| | VOE 11157390 | 1 | | | | Atch Bracket..... | Porte-outil..... | Geräteträger..... | Soporte Impleme..... | Redskapsfäste..... | | |
| 1 | VOE 11156114 | 2 | | | | ••Pin | ••Goupille | ••Zapfen | ••Pasador | ••Tapp..... | | |
| 2 | VOE 935929 | 2 | | | | •Nipple | •Raccord | •Nippel..... | •Niple..... | •Nippel..... | | |
| 3 | VOE 935428 | 2 | | | | •Lock nut..... | •Contre-ecrou..... | •Sicherungsmutter..... | •Contratuerca | •Låsmutter..... | | |
| 4 | VOE 955900 | 2 | | | SS | •Washer | •Rondelle..... | •Scheibe | •Arandela..... | •Bricka..... | | |
| 5 | VOE 11157123 | 1 | | | | •Cylinder | •Verin | •Zylinder..... | •Cilindro..... | •Cylinder..... | | |
| 6 | VOE 11708993 | 2 | | | | ••Piston rod | ••Bielle de piston | ••Kolbenstange..... | ••Biela de piston | ••Kolvstång..... | | |
| 7 | VOE 11988543 | 2 | | | | ••Piston | ••Piston..... | ••Kolben | ••Piston..... | ••Kolv..... | | |
| 8 | VOE 11709110 | 2 | | | | ••Guide..... | ••Rail | ••Führung | ••Guia | ••Gejd..... | | |
| 9 | VOE 11709111 | 2 | | | | ••Sealing Kit | ••Jeu Joints | ••Dichtungssatz..... | ••Juego Retenes..... | ••Tätningssats..... | | |
| 10 | VOE 11157191 | 2 | | | | •Pin | •Goupille..... | •Zapfen..... | •Pasador..... | •Tapp..... | | |
| 11 | VOE 11142687 | 2 | | | | •Pin | •Goupille..... | •Stift..... | •Pasador..... | •P inne..... | | |
| 12 | VOE 914450 | 2 | | | | •Snap Ring..... | •Circlip..... | •Nutring | •Circlip | •Spårring..... | | |
| 13 | VOE 914167 | 2 | | | | •Nipple | •Raccord | •Nippel..... | •Niple..... | •Nippel..... | | |
| 14 | VOE 11157678 | 1 | | | | •Spacer | •Partie Intermédiaire .. | •Zwischenstück | •Espaciador | •Mellandel..... | | |
| 15 | VOE 13965196 | 1 | | | | •Screw..... | •Vis..... | •Schraube..... | •Tornillo | •Skruv..... | | |
| 16 | VOE 935538 | 2 | | | | •Elbow nipple | •Raccord angulaire..... | •Winkelrippel..... | •Niple angular | •Vinkelrippel..... | | |
| 17 | VOE 4881722 | 1 | | | | ••O-ring | ••Joint Torique..... | ••O-Ring | ••Junta torica | ••O-ring..... | | |
| 18 | VOE 935628 | 2 | | | | •Hose assembly | •Conduit flexible | •Schlauchleitung..... | •Conducto..... | •Slangedning..... | | |
| 19 | VOE 11156757 | 1 | | | | •Plate | •Plaque..... | •Platte..... | •Placa | •Platta..... | | |
| 20 | VOE 946441 | 4 | | | | •Flange screw | •Vis à bride..... | •Flansschraube..... | •Torn embridado..... | •Flänsskruv..... | | |
| 21 | | 1 | | | NS | •Sign | •Enseigne..... | •Schild | •Letrero..... | •Skyit..... | | |
| 22 | VOE 11045750 | 4 | | | | •Rivet | •Rivet..... | •Niet..... | •Remache..... | •Nit..... | | |
| 23 | VOE 13965193 | 1 | | | | Screw..... | Vis | Schraube..... | Tornillo | Skruv..... | | |
| 24 | VOE 11025923 | 1 | | | | Spacer..... | Entretoise | Abstandstueck..... | Casquillo distanciad .. | Distans..... | | |
| 25 | VOE 971099 | 1 | | | | Flange Lock Nut..... | Contre écrou bride | Flanscmutter | Contratuer Embr..... | Flänslåsmutter..... | (VOE 13971099) | |
| 26 | VOE 13965192 | 1 | | | | Flange screw..... | Vis à bride | Flansschraube..... | Torn embridado..... | Flänsskruv..... | | |

| | | | | |
|---|--|-------------------------------|-----------------------|------------|
| 1 | | Redskapsfäste | Catalogue id | Group |
| 2 | | Soporte de implementos | 20007 | 924 |
| 3 | | Geräteschnellkupplung | Illustr. No | Section |
| 4 | | Porte - outil | 1004686 | 150 |
| 5 | | Attachment bracket | Issue | Page |
| | | 80678 | VOE 63D9920007 | 869 |

VOLVO

L90E



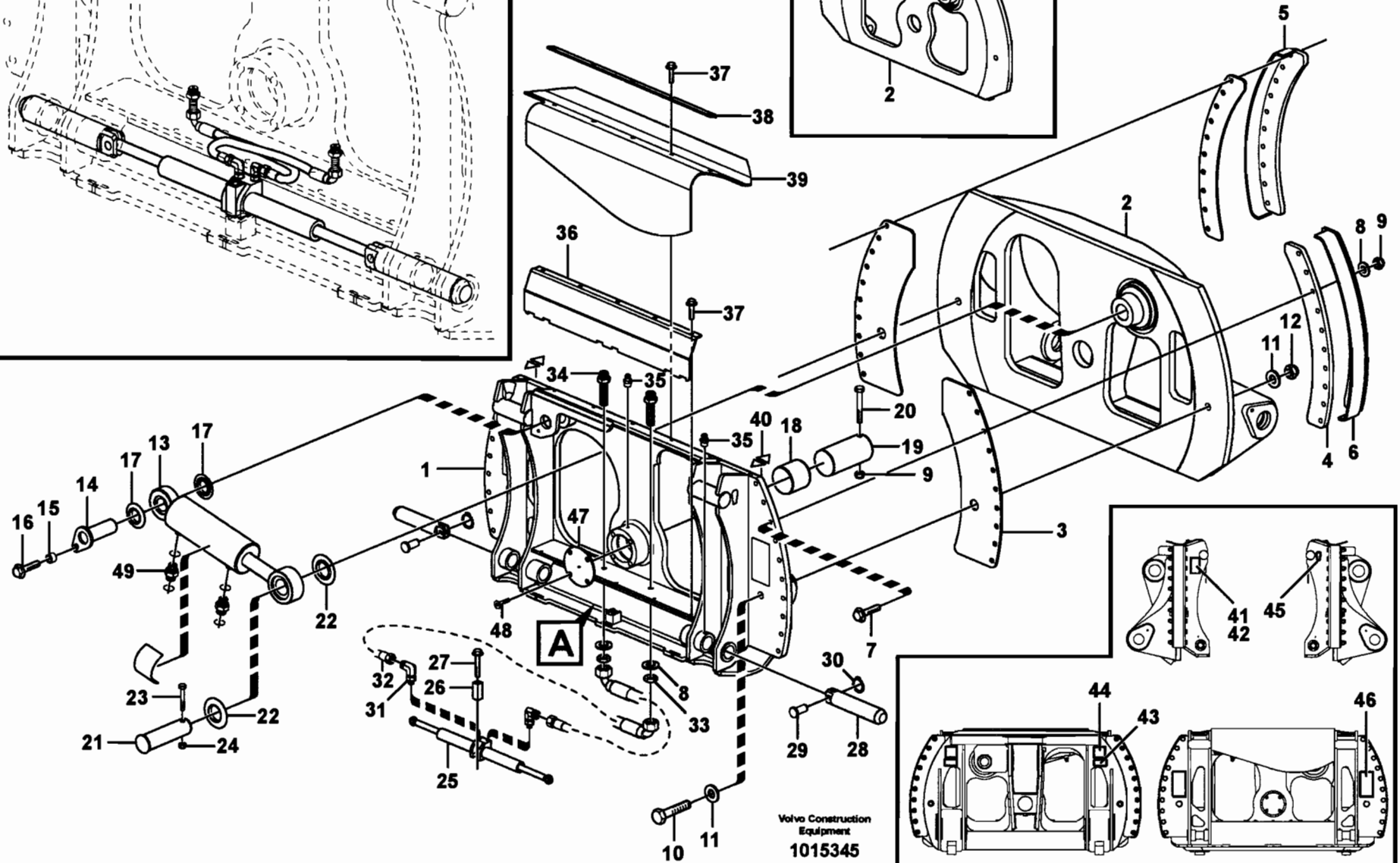
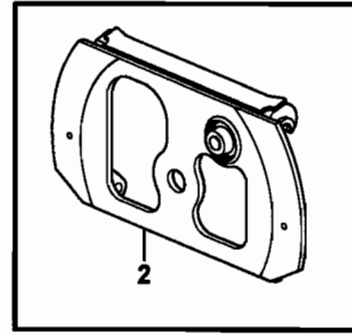
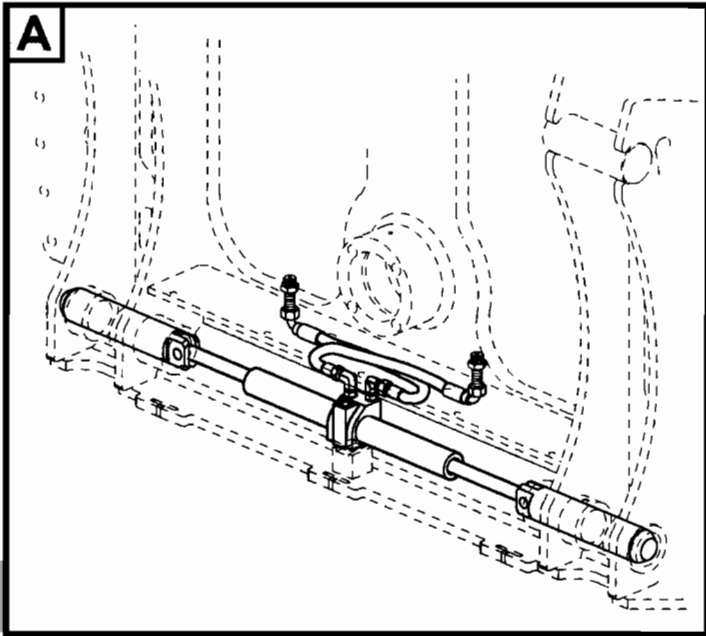
Volvo Construction
Equipment
1015345

| Fig. | Part No. | Quantity | | | P S | K I T | Description | Dénomination | Bezeichnung | Denominación | Benämning | Notes |
|------|--------------|----------|----|---|--------|---------------------|------------------------|------------------------|-----------------------|-----------------------|-----------|-------|
| | | 1 | 2 | 3 | | | | | | | | |
| | VOE 11417837 | 1 | | | | Atch Bracket..... | Porte-outil..... | Geräteträger..... | Soporte Impleme..... | Redskapsfäste..... | | |
| | VOE 11417838 | | 1 | | | Atch Bracket..... | Porte-outil..... | Geräteträger..... | Soporte Impleme..... | Redskapsfäste..... | | |
| 1 | | 1 | 1 | | NS | •..... | •..... | •..... | •..... | •Främre Fäste..... | | |
| 2 | | 1 | | | NS | •..... | •..... | •..... | •..... | •Bakre Fäste..... | | |
| 2 | | | 1 | | NS | •..... | •..... | •..... | •..... | •Bakre Fäste..... | | |
| 3 | VOE 11713568 | 2 | 2 | | | •Slide Plate..... | •Plaque Guidage..... | •Gleitplatte..... | •Disco Desliz..... | •Glidplatta..... | | |
| 4 | VOE 11713569 | 2 | 2 | | | •Slide Plate..... | •Plaque Guidage..... | •Gleitplatte..... | •Disco Desliz..... | •Glidplatta..... | | |
| 5 | VOE 11713572 | 1 | 1 | | | •Guide..... | •Rail..... | •Führung..... | •Guia..... | •Gejd..... | | |
| 6 | VOE 11713576 | 1 | 1 | | | •Guide..... | •Rail..... | •Führung..... | •Guia..... | •Gejd..... | | |
| 7 | VOE 968593 | 20 | 20 | | | •Flange screw..... | •Vis à bride..... | •Flansschraube..... | •Torn embridado..... | •Flänsskruv..... | | |
| 8 | VOE 13955900 | 42 | 42 | | | •Washer..... | •Rondelle..... | •Scheibe..... | •Arandela..... | •Bricka..... | | |
| 9 | VOE 13963110 | 21 | 21 | | | •Lock nut..... | •Contre-ecrou..... | •Sicherungsmutter..... | •Contratuerca..... | •Låsmutter..... | | |
| 10 | VOE 955412 | 2 | 2 | | | •Hexagon screw..... | •Vis tête hexagonale.. | •Sechskantschraube.. | •Tornillo hexago..... | •Sexkantsskruv..... | | |
| 11 | VOE 930853 | 4 | 4 | | | •Washer..... | •Rondelle..... | •Scheibe..... | •Arandela..... | •Bricka..... | | |
| 12 | VOE 13963096 | 2 | 2 | | | •Lock nut..... | •Contre-ecrou..... | •Sicherungsmutter..... | •Contratuerca..... | •Låsmutter..... | | |
| 13 | VOE 11713577 | 1 | 1 | | | •Hydr Cylinder..... | •Verin Hydraul. | •Hydraulzylinder..... | •Cilindro Hidrau..... | •Hydraulcylinder..... | | |
| | VOE 11713967 | 1 | 1 | | | ••Link Bearing..... | ••Rotule..... | ••Gelenklager..... | ••Rotula..... | ••Länklager..... | Tube | |
| | VOE 11713968 | 1 | 1 | | | ••Link Bearing..... | ••Rotule..... | ••Gelenklager..... | ••Rotula..... | ••Länklager..... | Rod | |
| | VOE 11713966 | 1 | 1 | | | ••Sealing Kit..... | ••Jeu Joints..... | ••Dichtungssatz..... | ••Juego Retenes..... | ••Tätningssats..... | | |
| 14 | VOE 11713565 | 1 | 1 | | | •Pin..... | •Goupille..... | •Zapfen..... | •Pasador..... | •Tapp..... | | |
| 15 | VOE 930446 | 1 | 1 | | | •Spacer Ring..... | •Bagu.entretoise..... | •Abstandring..... | •Anillo Dist..... | •Distansring..... | | |
| 16 | VOE 13965191 | 1 | 1 | | | •Flange screw..... | •Vis à bride..... | •Flansschraube..... | •Torn embridado..... | •Flänsskruv..... | | |
| 17 | VOE 14047212 | 2 | 2 | | | •Sealing ring..... | •Bague d'étanchéité.. | •Runddichtring..... | •Anillo reten..... | •Tätningsring..... | | |
| 18 | VOE 11714517 | 1 | 1 | | | •Slide Bearing..... | •Palier Glissage..... | •Gleitlager..... | •Cojinete Fricci..... | •Glidlager..... | | |
| 19 | VOE 11714518 | 1 | 1 | | | •Shaft..... | •Arbre..... | •Welle..... | •Arbol..... | •Axel..... | | |
| 20 | VOE 955379 | 1 | | | | •Hexagon screw..... | •Vis tête hexagonale.. | •Sechskantschraube.. | •Tornillo hexago..... | •Sexkantsskruv..... | | |
| 20 | VOE 955381 | | 1 | | | •Hexagon screw..... | •Vis tête hexagonale.. | •Sechskantschraube.. | •Tornillo hexago..... | •Sexkantsskruv..... | | |
| 21 | VOE 11713579 | 1 | 1 | | | •Shaft..... | •Arbre..... | •Welle..... | •Arbol..... | •Axel..... | | |
| 22 | VOE 14041917 | 2 | 2 | | | •Sealing ring..... | •Bague d'étanchéité.. | •Runddichtring..... | •Anillo reten..... | •Tätningsring..... | | |
| 23 | VOE 13946474 | 1 | 1 | | | •Flange screw..... | •Vis à bride..... | •Flansschraube..... | •Torn embridado..... | •Flänsskruv..... | | |

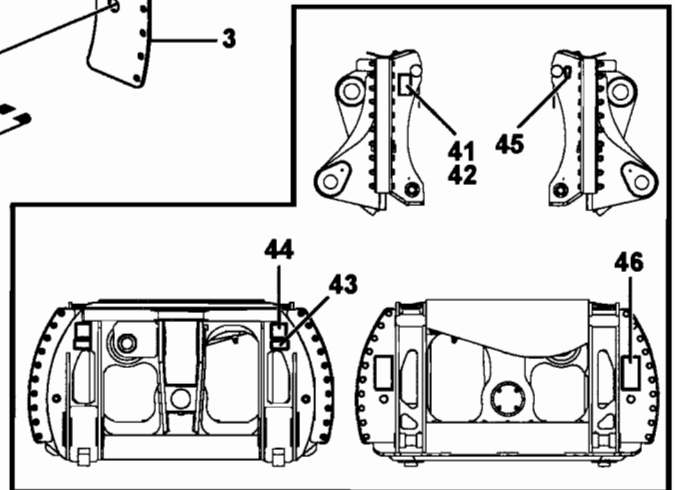
| | | | | |
|---|-------|-------------------------|----------------|---------|
| 1 | 82259 | Redskapsfäste vridbart. | Catalogue id | Group |
| 2 | 82260 | | 20007 | 924 |
| 3 | | | Illustr. No | Section |
| 4 | | | 1015345 | 200 |
| 5 | | | Issue | Page |
| | | | VOE 63D9920007 | 871 |

VOLVO

L90E



Volvo Construction
Equipment
1015345

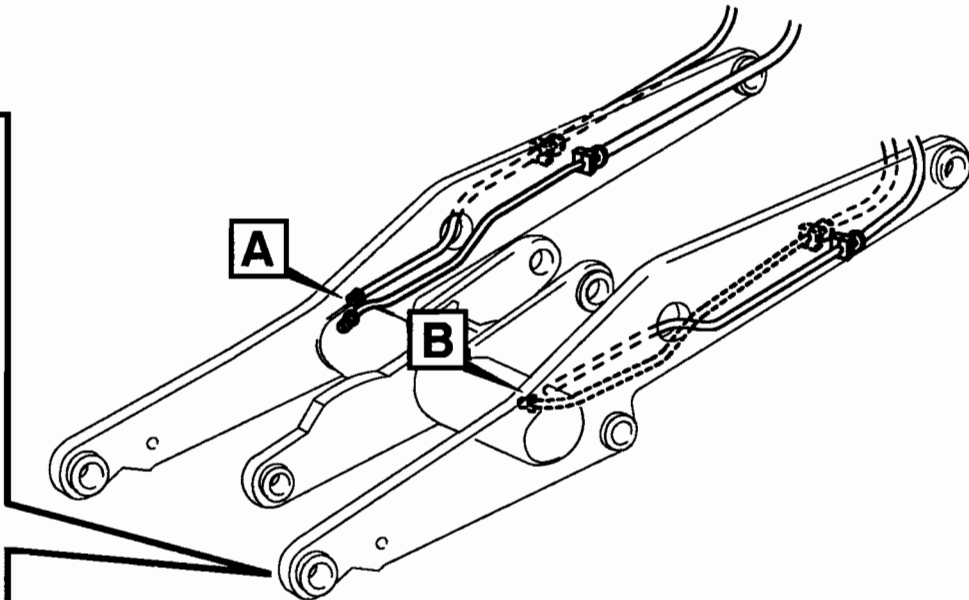
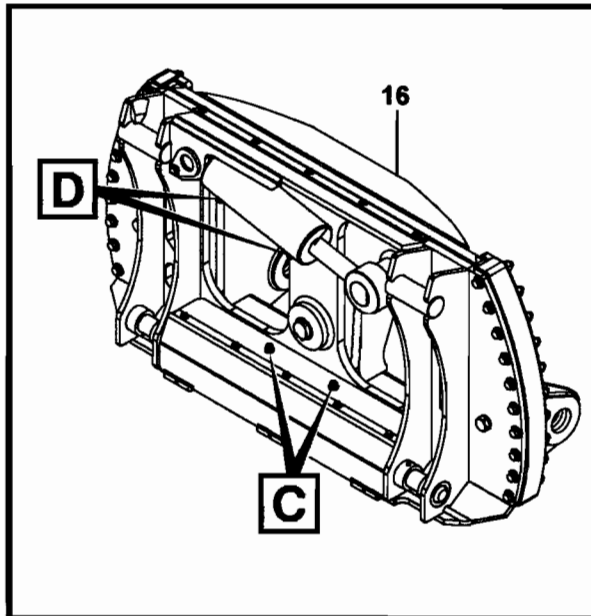
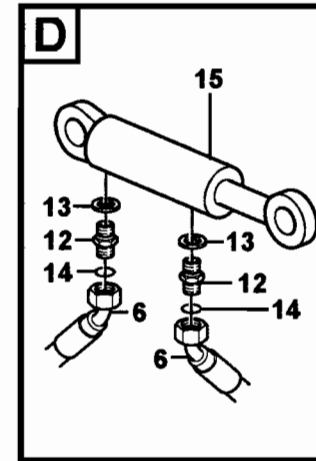
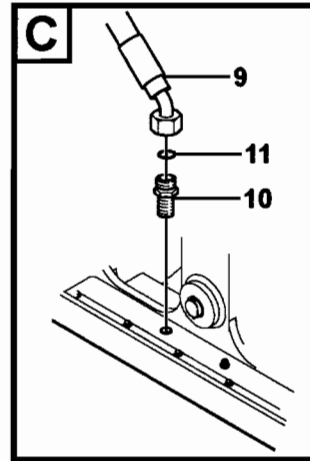
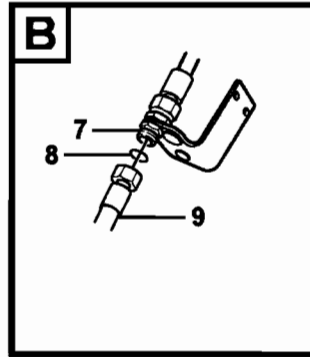
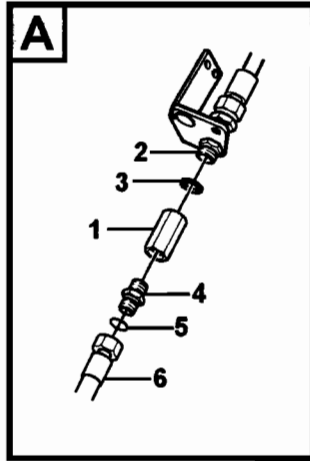


| Fig. | Part No. | Quantity | | | P S | K I T | Description | Dénomination | Bezeichnung | Denominación | Benämning | Notes |
|------|--------------|----------|----|----|--------|---------------------|----------------------------|------------------------|----------------------|---------------------|-----------|-------|
| | | 1 | 2 | 3 | | | | | | | | |
| 24 | VOE 13971090 | 1 | 1 | | | •Lock nut..... | •Contre-ecrou..... | •Sicherungsmutter..... | •Contratuerca..... | •Låsmutter..... | | |
| 25 | VOE 11157123 | 1 | 1 | | | •Cylinder..... | •Verin..... | •Zylinder..... | •Cilindro..... | •Cylinder..... | | |
| 26 | VOE 11157678 | 1 | 1 | | | •Spacer..... | •Partie Intermédiaire..... | •Zwischenstück..... | •Espaciador..... | •Mellandel..... | | |
| 27 | VOE 13965196 | 1 | 1 | | | •Screw..... | •Vis..... | •Schraube..... | •Tornillo..... | •Skruv..... | | |
| 28 | VOE 11157191 | 2 | 2 | | | •Pin..... | •Goupille..... | •Zapfen..... | •Pasador..... | •Tapp..... | | |
| 29 | VOE 11142687 | 2 | 2 | | | •Pin..... | •Goupille..... | •Stift..... | •Pasador..... | •Pinne..... | | |
| 30 | VOE 914450 | 1 | 1 | | | •Snap Ring..... | •Circlip..... | •Nutting..... | •Circlip..... | •Spårring..... | | |
| 31 | VOE 935538 | 2 | 2 | | | •Elbow nipple..... | •Raccord angulaire..... | •Winkel nipple..... | •Niple angular..... | •Vinkel nipple..... | | |
| | VOE 4881722 | 2 | 2 | | | •O-ring..... | •Joint Torique..... | •O-Ring..... | •Junta torica..... | •O-ring..... | | |
| 32 | VOE 935628 | 2 | 2 | | | •Hose assembly..... | •Conduit flexible..... | •Schlauchleitung..... | •Conducto..... | •Slangledning..... | | |
| 33 | VOE 935428 | 2 | 2 | | | •Lock nut..... | •Contre-ecrou..... | •Sicherungsmutter..... | •Contratuerca..... | •Låsmutter..... | | |
| 34 | VOE 935929 | 2 | 2 | | | •Nipple..... | •Raccord..... | •Nippel..... | •Niple..... | •Nippel..... | | |
| 35 | VOE 11713581 | 1 | 1 | | | •Cover..... | •Couvercle..... | •Deckel..... | •Tapa..... | •Lock..... | | |
| 36 | VOE 946329 | 10 | 10 | | | •Flange screw..... | •Vis à bride..... | •Flanschschraube..... | •Torn embridado..... | •Flänsskruv..... | | |
| 37 | VOE 11713584 | 1 | 1 | | | •Rail..... | •Rail..... | •Schiene..... | •Rail..... | •Skena..... | | |
| 38 | VOE 11713582 | 1 | 1 | | | •Rubber Mat..... | •Tapis Caoutchouc..... | •Gummimatte..... | •Alfombra Goma..... | •Gummimatta..... | | |
| 39 | VOE 983718 | 2 | 2 | | | •Lub Nipple..... | •Graisseur..... | •Schmiernippel..... | •Engrasador..... | •Smörjnippel..... | | |
| 40 | | 1 | 1 | NS | | •Sign..... | •Enseigne..... | •Schild..... | •Letrero..... | •Skylt..... | | |
| 41 | VOE 950891 | 4 | 4 | | | •Drive Screw..... | •Vis Commande..... | •Durchsetzschr..... | •Tomillo Motriz..... | •Drivskruv..... | | |
| 42 | VOE 11713512 | 4 | 4 | | | •Warning Plate..... | •Panneau Signal..... | •Warnschild..... | •Letrero Advert..... | •Varningsskylt..... | | |
| 43 | VOE 11713513 | 2 | 2 | | | •Warning Plate..... | •Panneau Signal..... | •Warnschild..... | •Letrero Advert..... | •Varningsskylt..... | | |
| 44 | VOE 11003865 | 2 | 2 | | | •Decal..... | •Decalcomanie..... | •Abziehbild..... | •Decalcomania..... | •Dekal..... | | |
| 45 | VOE 11004094 | 2 | 2 | | | •Decal..... | •Decalcomanie..... | •Abziehbild..... | •Decalcomania..... | •Dekal..... | | |
| 46 | VOE 13935000 | 3 | 3 | | | •Warning Decal..... | •Decal.avertiss..... | •Warnaufkleber..... | •Calcomania Adv..... | •Varningsdekal..... | | |
| 47 | VOE 13933915 | 2 | 2 | | | •Nipple..... | •Raccord..... | •Nippel..... | •Niple..... | •Nippel..... | | |
| | VOE 4880492 | 2 | 2 | | | •O-ring..... | •Joint Torique..... | •O-Ring..... | •Junta torica..... | •O-ring..... | | |
| | VOE 14211857 | 2 | 2 | | | •Sealing ring..... | •Bague d'étanchéité..... | •Runddichtring..... | •Anillo reten..... | •Tättningsring..... | | |
| 48 | VOE 11714519 | 1 | 1 | | | •Cap..... | •Chapeau..... | •Kappe..... | •Caperuza..... | •Lock..... | | |
| 49 | VOE 969842 | 4 | 4 | | | Screw..... | Vis..... | Schraube..... | Tornillo..... | Skruv..... | | |

| | | | | |
|---|-------|-------------------------|----------------|------------|
| 1 | 82259 | Redskapsfäste vridbart. | Catalogue id | Group |
| 2 | 82260 | | 20007 | 924 |
| 3 | | | Illustr. No | Section |
| 4 | | | 1015345 | 200 |
| 5 | | | Issue | Page |
| | | | VOE 63D9920007 | 873 |

VOLVO

L90E

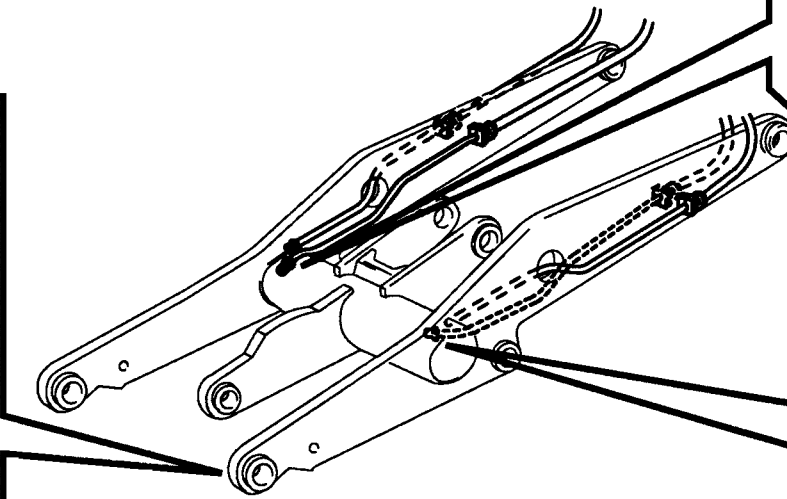
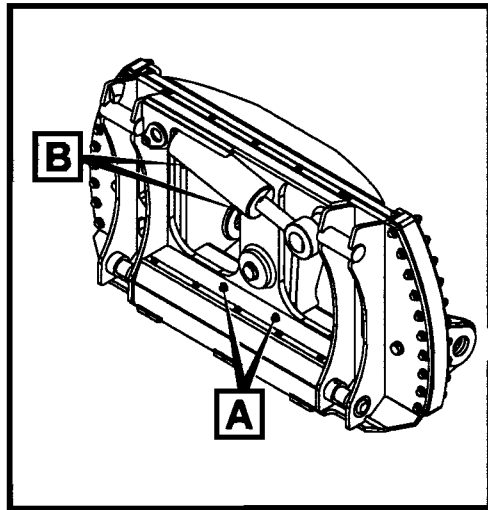
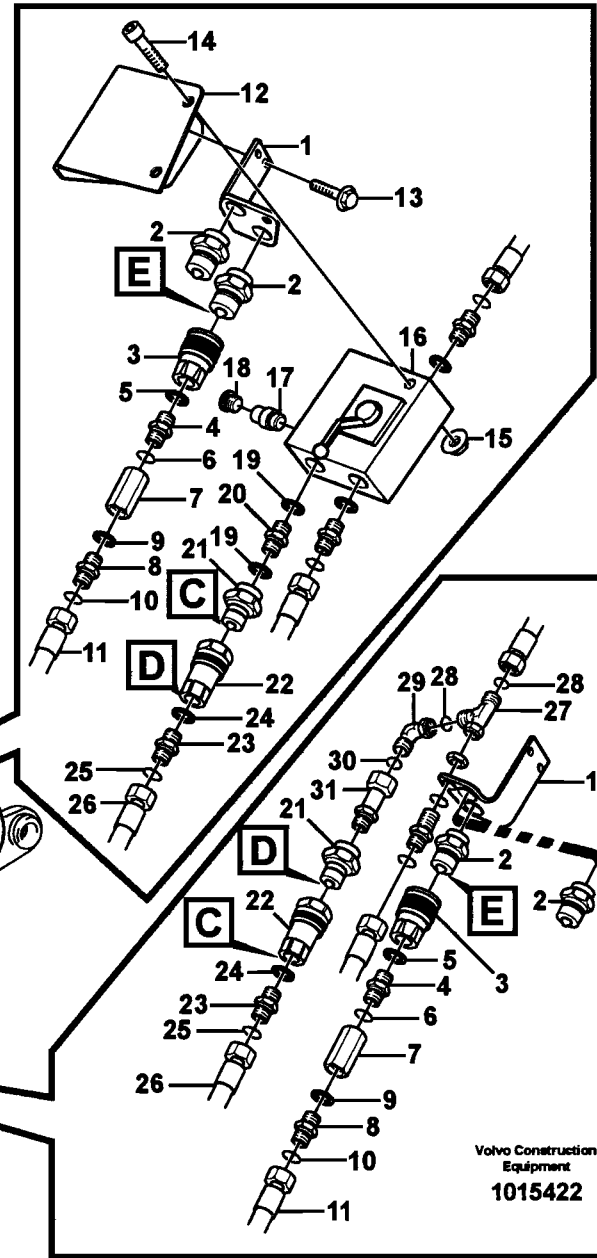
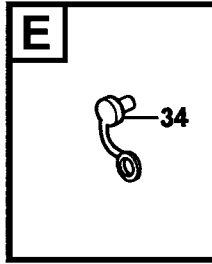
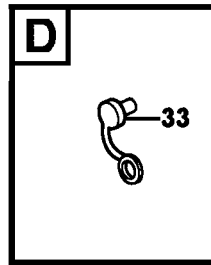
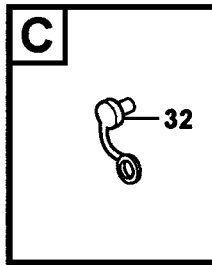
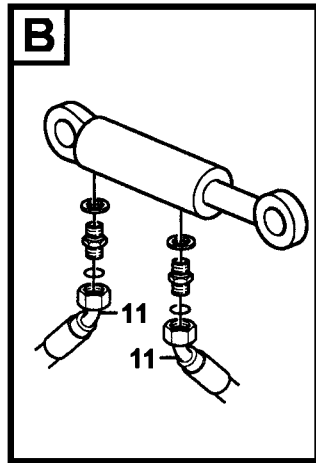
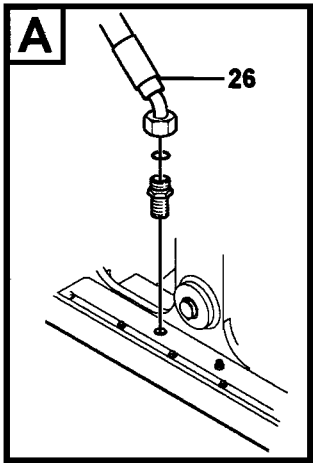


| Fig. | Part No. | Quantity | | | P S | K I T | Description | Dénomination | Bezeichnung | Denominación | Benämning | Notes |
|------|--------------|----------|---|---|--------|----------------------|------------------------|----------------------|----------------------|----------------------|-------------------------|-------|
| | | 1 | 2 | 3 | | | | | | | | |
| 1 | VOE 11990625 | 2 | | | | Nipple..... | Raccord..... | Nippel..... | Niple..... | Nippel..... | | |
| 2 | VOE 11173641 | 2 | | | | Nipple..... | Raccord..... | Nippel..... | Niple..... | Nippel..... | | |
| 3 | VOE 14013070 | 2 | | | | •Sealing washer..... | •Rond.etancheite..... | •Dichtscheibe..... | •Arandela reten..... | •Tätningsbricka..... | | |
| 4 | VOE 13933882 | 2 | | | | Nipple..... | Raccord..... | Nippel..... | Niple..... | Nippel..... | | |
| 5 | VOE 4880492 | 2 | | | | •O-ring..... | •Joint Torique..... | •O-Ring..... | •Junta torica..... | •O-ring..... | | |
| 6 | VOE 11172006 | 2 | | | | Hose assembly..... | Conduit flexible..... | Schlauchleitung..... | Conducto..... | Slangledning..... | | |
| 7 | VOE 935425 | 2 | | | | Nipple..... | Raccord..... | Nippel..... | Niple..... | Nippel..... | | |
| 8 | VOE 4880492 | 4 | | | | •O-ring..... | •Joint Torique..... | •O-Ring..... | •Junta torica..... | •O-ring..... | | |
| 9 | VOE 11163066 | 2 | | | | Hose assembly..... | Conduit flexible..... | Schlauchleitung..... | Conducto..... | Slangledning..... | | |
| 10 | | 2 | | | | Nipple..... | Raccord..... | Nippel..... | Niple..... | Nippel..... | See group 924, Page 871 | |
| 11 | VOE 4880492 | 2 | | | | •O-ring..... | •Joint Torique..... | •O-Ring..... | •Junta torica..... | •O-ring..... | | |
| 12 | VOE 13933915 | 2 | | | | Nipple..... | Raccord..... | Nippel..... | Niple..... | Nippel..... | | |
| 13 | VOE 14211857 | 4 | | | | •Sealing ring..... | •Bague d'étanchéité .. | •Runddichtring..... | •Anillo reten..... | •Tätningsring..... | | |
| 14 | VOE 4880492 | 2 | | | | •O-ring..... | •Joint Torique..... | •O-Ring..... | •Junta torica..... | •O-ring..... | | |
| 15 | | 1 | | | | Hydr Cylinder..... | Verin Hydrauli..... | Hydraulzylinder..... | Cilindro Hidrau..... | Hydraulcylinder..... | See group 924, Page 871 | |
| 16 | | 1 | | | | Atch Bracket..... | Porte-outil..... | Geräteträger..... | Soporte Impleme..... | Redskapsfäste..... | See group 924, Page 871 | |

| | | | | |
|---|--------------|--|-----------------------|------------|
| 1 | | Hydraulsystem vridbart direktinfäst redskapsfäste | Catalogue id | Group |
| 2 | | | 20007 | 924 |
| 3 | | | Illustr. No | Section |
| 4 | | | 1015384 | 250 |
| 5 | | | Issue | Page |
| | 82259 | | VOE 63D9920007 | 875 |

VOLVO

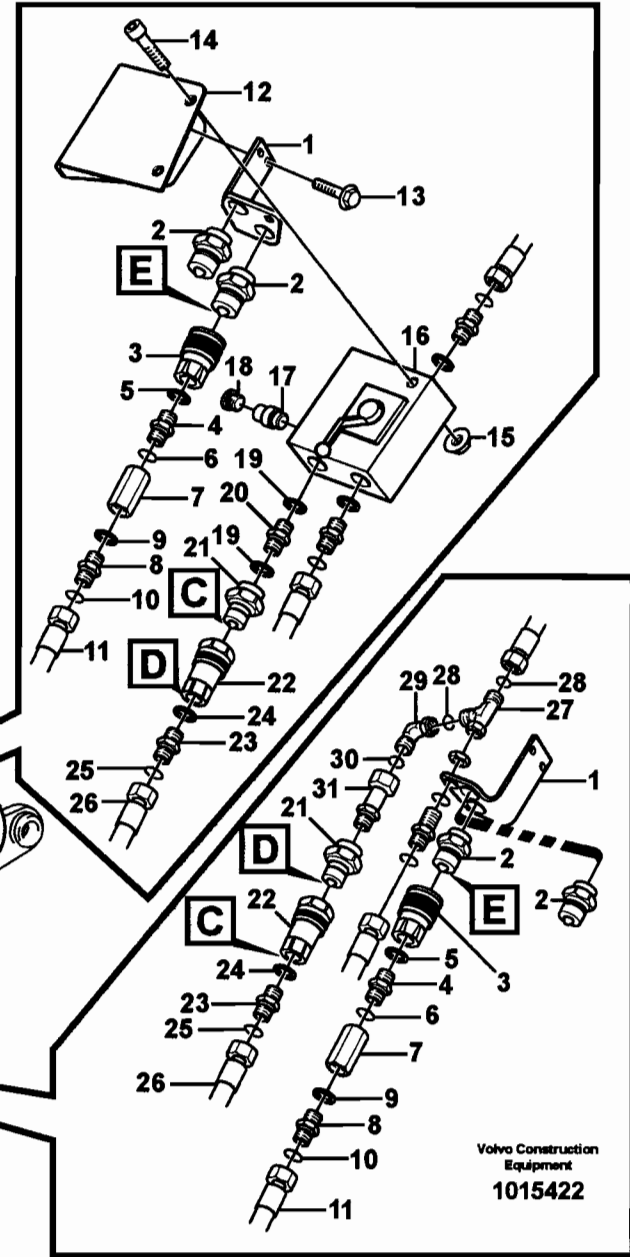
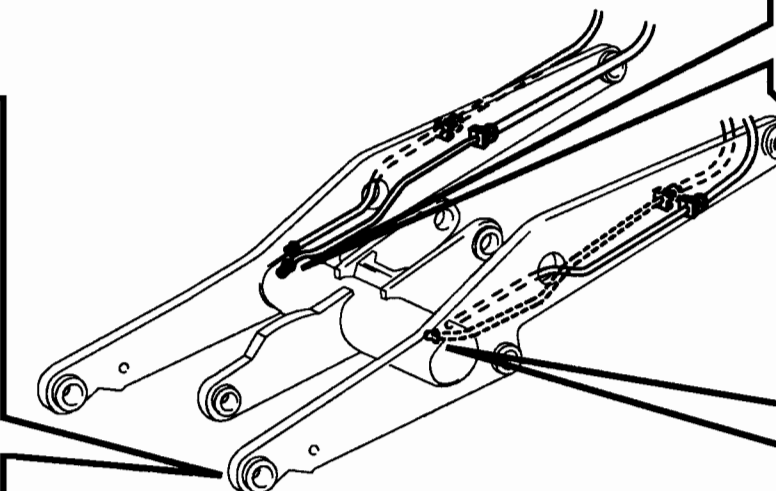
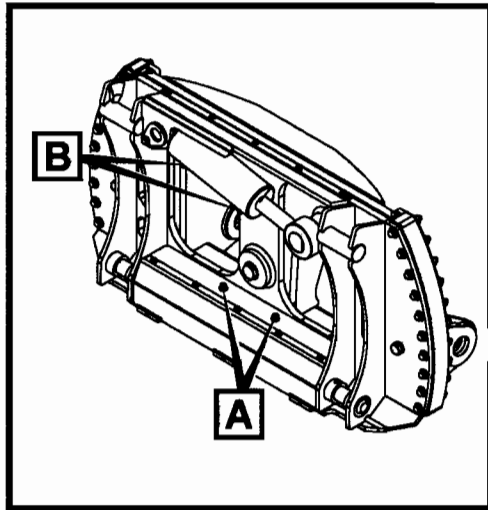
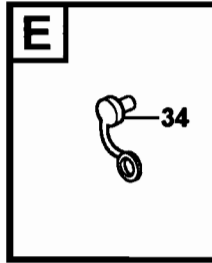
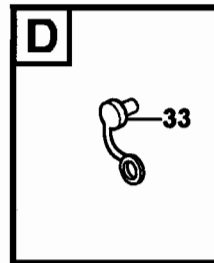
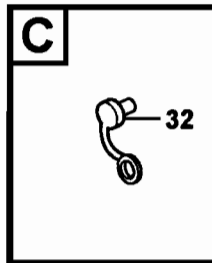
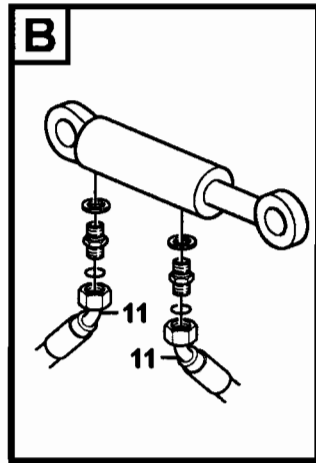
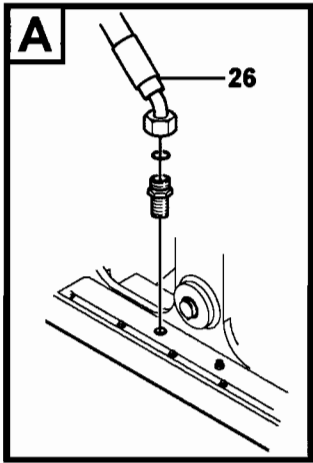
L90E



Volvo Construction
Equipment
1015422

| Fig. | Part No. | Quantity | | | P S | K I T | Description | Dénomination | Bezeichnung | Denominación | Benämning | Notes |
|------|--------------|----------|---|---|--------|---------------------|---------------------------|-----------------------|---------------------------|---------------------|-------------------------|-------|
| | | 1 | 2 | 3 | | | | | | | | |
| 1 | VOE 11173642 | 1 | | | | Attachment..... | Fixation | Halterung..... | Fijacion..... | Fäste..... | RH | |
| 1 | VOE 11173643 | 1 | | | | Attachment..... | Fixation | Halterung..... | Fijacion..... | Fäste..... | LH | |
| 2 | VOE 11043022 | 4 | | | | Nipple..... | Raccord..... | Nippel..... | Niple..... | Nippel..... | | |
| 3 | VOE 11043021 | 2 | | | | Sleeve..... | Douille..... | Hülse..... | Manguito..... | Hylsa..... | | |
| | VOE 11993255 | 2 | | | | •O-ring..... | •Joint Torique..... | •O-Ring..... | •Junta torica..... | •O-ring..... | | |
| | VOE 11993256 | 2 | | | | •O-ring..... | •Joint Torique..... | •O-Ring..... | •Junta torica..... | •O-ring..... | | |
| 4 | VOE 13933875 | 2 | | | | Nipple..... | Raccord..... | Nippel..... | Niple..... | Nippel..... | | |
| 5 | VOE 14211859 | 2 | | | | •Sealing ring..... | •Bague d'étanchéité | •Runddichtring..... | •Anillo reten..... | •Tätningsring..... | | |
| 6 | VOE 981289 | 2 | | | | •O-ring..... | •Joint Torique..... | •O-Ring..... | •Junta torica..... | •O-ring..... | | |
| 7 | VOE 11713600 | 2 | | | | Nut..... | Ecrou..... | Mutter..... | Tuerca..... | Mutter..... | | |
| 8 | VOE 11713599 | 2 | | | | Reduction..... | Reduction..... | Reduzierung..... | Reduccion..... | Reducering..... | | |
| 9 | VOE 14211859 | 2 | | | | •Sealing ring..... | •Bague d'étanchéité | •Runddichtring..... | •Anillo reten..... | •Tätningsring..... | | |
| 10 | VOE 4880492 | 2 | | | | •O-ring..... | •Joint Torique..... | •O-Ring..... | •Junta torica..... | •O-ring..... | | |
| 11 | VOE 11172006 | 2 | | | | Hose assembly..... | Conduit flexible..... | Schlauchleitung..... | Conducto..... | Slangledning..... | See group 924, Page 875 | |
| 12 | VOE 11713605 | 1 | | | | Attachment..... | Fixation | Halterung..... | Fijacion..... | Fäste..... | | |
| 13 | VOE 946472 | 2 | | | | Flange screw..... | Vis à bride..... | Flanschschraube..... | Torn embridado..... | Flänsskruv..... | | |
| 14 | VOE 959245 | 2 | | | | Allen Hd Screw..... | Vis A 6 Pans Cr..... | Inbusschraube..... | Torn Hex Embut..... | Insexskruv..... | | |
| 15 | VOE 13971095 | 2 | | | | Flange nut..... | Ecrou accouple..... | Bundmutter..... | Tuerca embridad..... | Flänsmutter..... | | |
| 16 | VOE 11713604 | 1 | | | | Valve Body..... | Corps Valve..... | Ventilkörper..... | Cuerpo Valvula..... | Ventilkropp..... | | |
| 17 | VOE 11714037 | 1 | | | | Check valve..... | Valve antiretour..... | Rückschlagventil..... | Válvula de retención..... | Backventil..... | | |
| 18 | VOE 11713606 | 1 | | | | Plug..... | Bouchon..... | Stopfen..... | Tapon..... | Plugg..... | | |
| 19 | VOE 14042936 | 2 | | | | Sealing washer..... | Rond.etancheite..... | Dichtscheibe..... | Arandela reten..... | Tätningsbricka..... | | |
| 20 | VOE 11713607 | 1 | | | | Nipple..... | Raccord..... | Nippel..... | Niple..... | Nippel..... | | |
| 21 | VOE 11713598 | 2 | | | | Quick Coupling..... | Accouple.rapide..... | Schnellkupplung..... | Acoplam Rapido..... | Snabbkoppling..... | | |
| 22 | VOE 11713597 | 2 | | | | Quick Coupling..... | Accouple.rapide..... | Schnellkupplung..... | Acoplam Rapido..... | Snabbkoppling..... | | |
| 23 | VOE 13933915 | 2 | | | | Nipple..... | Raccord..... | Nippel..... | Niple..... | Nippel..... | | |
| 24 | VOE 14211857 | 2 | | | | •Sealing ring..... | •Bague d'étanchéité | •Runddichtring..... | •Anillo reten..... | •Tätningsring..... | | |
| 25 | VOE 4880492 | 2 | | | | •O-ring..... | •Joint Torique..... | •O-Ring..... | •Junta torica..... | •O-ring..... | | |
| 26 | VOE 11163066 | 2 | | | | Hose assembly..... | Conduit flexible..... | Schlauchleitung..... | Conducto..... | Slangledning..... | See group 924, Page 875 | |
| 27 | VOE 13933936 | 1 | | | | T-nipple..... | Raccord-t..... | T-Nippel..... | Niple T..... | T-nippel..... | | |

| | | | |
|---|---|----------------|------------|
| 1 | Hydraulsystem vridbart redskapsinfäst redskapsfäste | Catalogue id | Group |
| 2 | | 20007 | 924 |
| 3 | | Illustr. No | Section |
| 4 | | 1015422 | 300 |
| 5 | | Issue | Page |
| | 82892 | VOE 63D9920007 | 877 |



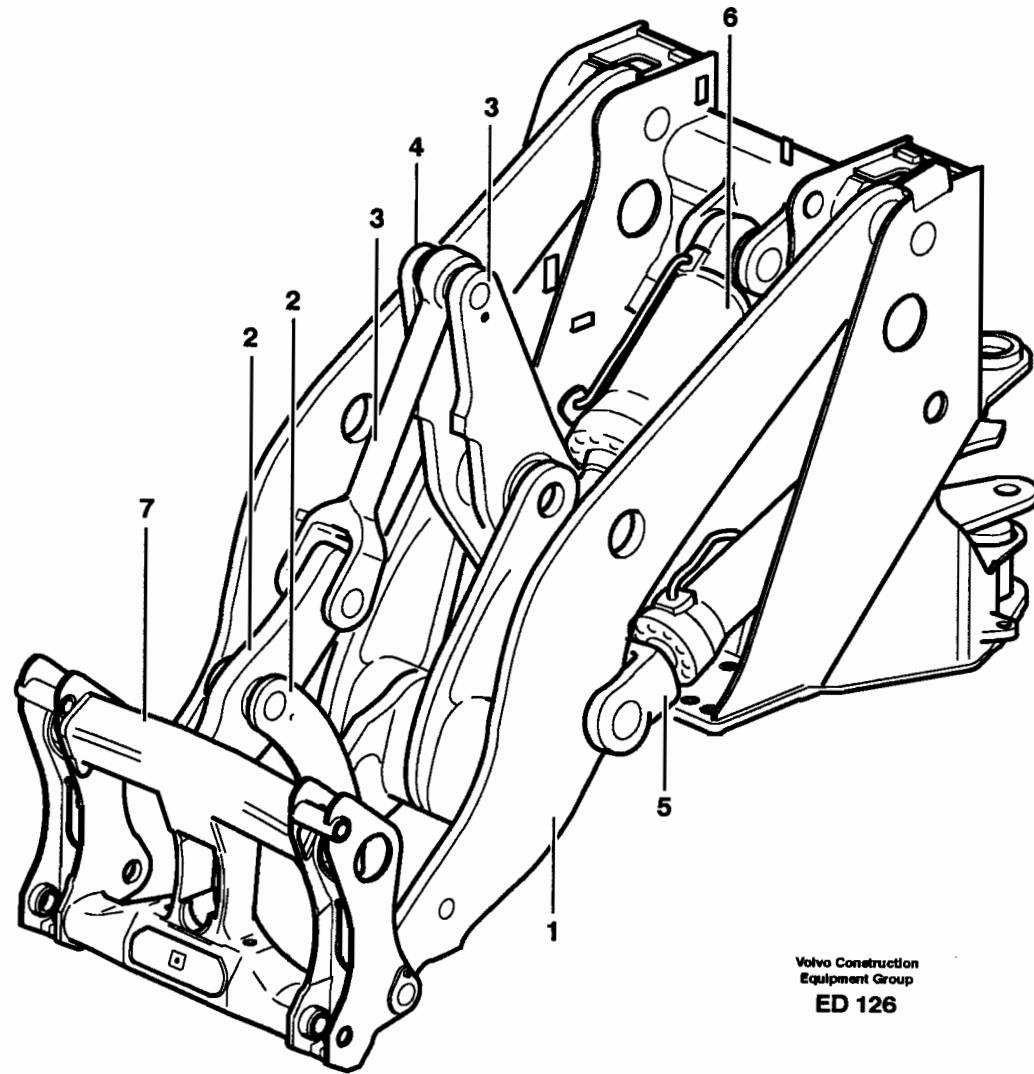
Volvo Construction
Equipment
1015422

| Fig. | Part No. | Quantity | | | P S | K I T | Description | Dénomination | Bezeichnung | Denominación | Benämning | Notes |
|------|--------------|----------|---|---|--------|-------------|-------------------|------------------------|-------------------|---------------------|-------------------|-------|
| | | 1 | 2 | 3 | | | | | | | | |
| 28 | VOE 4880492 | 2 | | | | | •O-ring..... | •Joint Torique..... | •O-Ring..... | •Junta torica | •O-ring..... | |
| 29 | VOE 13933900 | 1 | | | | | Elbow nipple..... | Raccord angulaire..... | Winkelnippel..... | Niple angular | Vinkelnippel..... | |
| 30 | VOE 4880492 | 1 | | | | | •O-ring..... | •Joint Torique..... | •O-Ring..... | •Junta torica | •O-ring..... | |
| 31 | VOE 11713608 | 1 | | | | | Nipple..... | Raccord..... | Nippel..... | Niple | Nippel..... | |
| 32 | VOE 11713609 | 1 | | | | | Dust Cover..... | Pare-poussiere..... | Staubschutz | Prot Polvo..... | Dammskydd..... | |
| 33 | VOE 11713611 | 1 | | | | | Dust Cover..... | Pare-poussiere..... | Staubschutz | Prot Polvo..... | Dammskydd..... | |
| 34 | VOE 11713601 | 2 | | | | | Dust Cover..... | Pare-poussiere..... | Staubschutz | Prot Polvo..... | Dammskydd..... | |

| | | | |
|---|---|----------------|------------|
| 1 | Hydraulsystem vridbart redskapsinfäst redskapsfäste | Catalogue id | Group |
| 2 | | 20007 | 924 |
| 3 | | Illustr. No | Section |
| 4 | | 1015422 | 300 |
| 5 | | Issue | Page |
| | 82892 | VOE 63D9920007 | 879 |

VOLVO

L90E



Volvo Construction
Equipment Group
ED 126

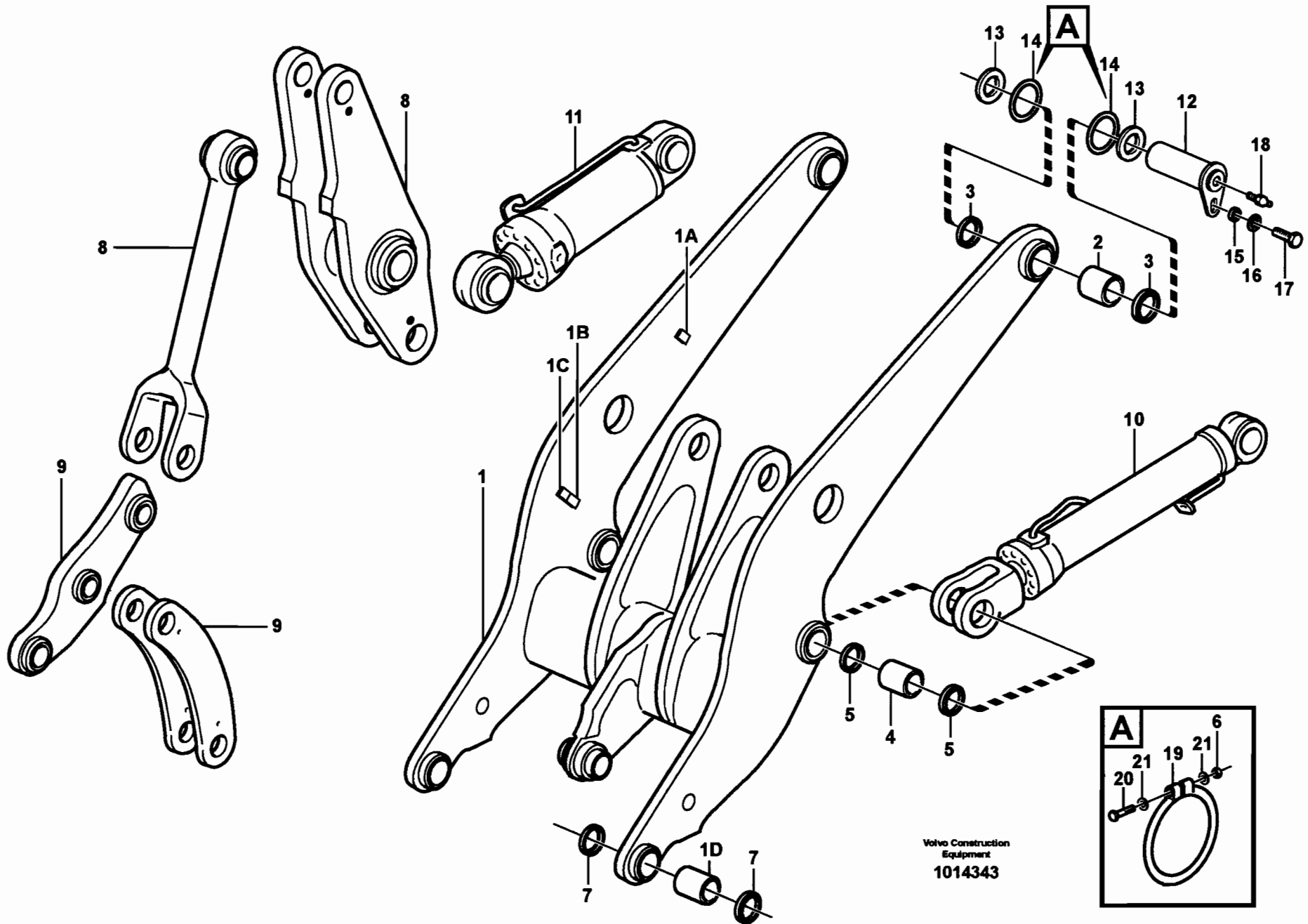


| Fig. | Part No. | Quantity | | | P S | K T | Description | Dénomination | Bezeichnung | Denominación | Benämning | Notes |
|------|----------|----------|---|---|--------|--------|------------------------|-----------------------------|-----------------------|-----------------------------|---------------------|-------------------------|
| | | 1 | 2 | 3 | | | | | | | | |
| 1 | | 1 | | | | | Lft frame work | Chassis levage | Hubgerüst | Bastid elev | Lyftramverk | See group 945, Page 883 |
| 2 | | 1 | | | | | Link, forward | Articulation, avant | Gelenk, vordere | Articulacion, delante | Länk, främre | See group 945, Page 885 |
| 3 | | 1 | | | | | Link, rear | Articulation, arriere | Gelenk, hinten | Articulacion, detras | Länk, bakre | See group 945, Page 889 |
| 4 | | 1 | 1 | | | | Lubricating pipe | Tuyau graissage | Schmierrohr | Tubo lubricante | Smörjrör | See group 945, Page 889 |
| 5 | | | 2 | | | | Lifting cylinder | Verin levage | Hubzylinder | Cilindro elevacion | Lyftcylinder | See group 945, Page 905 |
| 6 | | | 1 | | | | Tilt cylinder | Verin tilt | Tiltzylinder | Cilindro tilt | Tiltcylinder | See group 945, Page 907 |
| 7 | | | 1 | | | | Atch bracket | Porte-outil | Geräteträger | Soporte impleme | Redskapsfäste | See group 924, Page 869 |

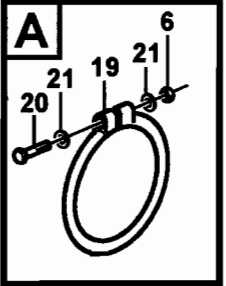
| | | | | |
|---|----------------|---|----------------|---------|
| 1 | 33282 | Lastaggregat. Unidad carga. Laderaggregat. Groupe chargeur. Loading unit. | Catalogue id | Group |
| 2 | STD, OPEN ROPS | | 20007 | 945 |
| 3 | | | Illustr. No | Section |
| 4 | | | ED126 | 100 |
| 5 | | | Issue | Page |
| | | | VOE 63D9920007 | 881 |

VOLVO

L90E



Volvo Construction
 Equipment
 1014343



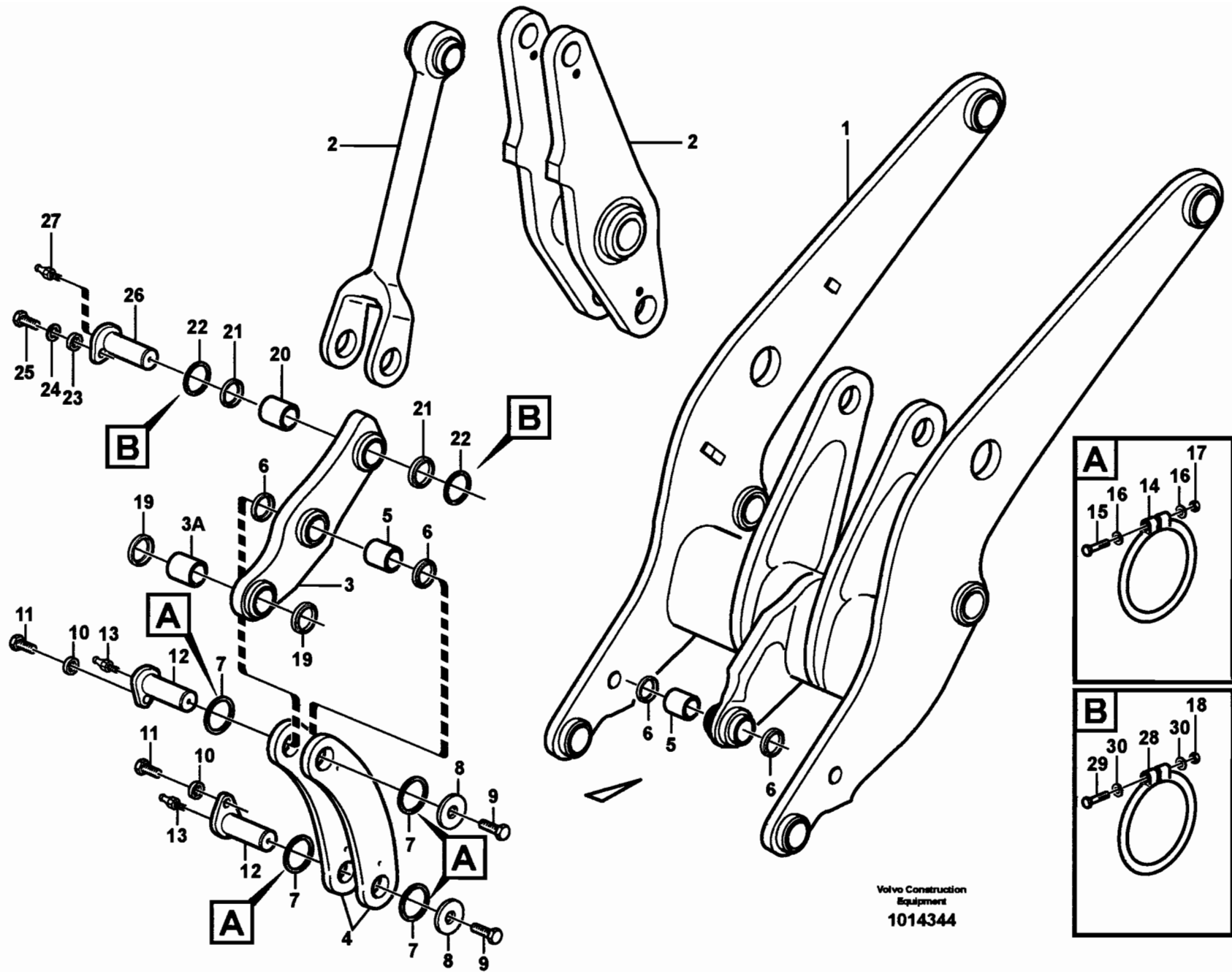
| Fig. | Part No. | Quantity | | | P S | K T | Description | Dénomination | Bezeichnung | Denominación | Benämning | Notes |
|------|--------------|----------|---|----|--------|------------------------|----------------------------|----------------------------|----------------------------|--------------------|-------------------------|-------|
| | | 1 | 2 | 3 | | | | | | | | |
| 1 | VOE 11177031 | 1 | | | | Lft Frame Work | Chassis Levage | Hubgerüst..... | Bastid Elev | Lyframverk..... | | |
| | VOE 11177031 | | 1 | | | Lft Frame Work | Chassis Levage | Hubgerüst..... | Bastid Elev | Lyframverk..... | | |
| 1A | VOE 4763685 | 2 | 4 | | | •Attaching plate..... | •Plaque fixation | •Befestigungsplatte | •Placa fijacion..... | •Fästplatta..... | | |
| 1B | | 2 | 2 | NS | | •Weld Plate | •Plaque Soudage | •Schweissplatte..... | •Placa Soldadura..... | •Svetsplatta..... | | |
| 1C | VOE 4785465 | 4 | | | | •Attaching plate..... | •Plaque fixation | •Befestigungsplatte | •Placa fijacion..... | •Fästplatta..... | | |
| 1D | VOE 11015609 | 2 | 2 | | | •Bushing..... | •Bague | •Buchse | •Casquillo | •Bussning..... | | |
| | VOE 4785466 | | 4 | | | •Attaching Plate | •Fer Fixation..... | •Befestigungsglasche | •Plato Fijacion | •Fästjärn..... | | |
| 2 | VOE 11015748 | 2 | 2 | | | Bushing..... | Bague..... | Buchse | Casquillo | Bussning..... | | |
| 3 | VOE 11005017 | 4 | 4 | | | Scraper | Racleur..... | Abstreifring | Aro rascador..... | Avstrykare..... | | |
| 4 | VOE 11015750 | 2 | 2 | | | Bushing..... | Bague..... | Buchse | Casquillo | Bussning..... | | |
| 5 | VOE 11005015 | 4 | 4 | | | Scraper | Racleur..... | Abstreifring | Aro rascador..... | Avstrykare..... | | |
| 6 | VOE 13963104 | 4 | | | | Lock nut | Contre-ecrou | Sicherungsmutter | Contratuerca | Låsmutter..... | | |
| 7 | VOE 11005014 | 4 | 4 | | | Scraper | Racleur..... | Abstreifring | Aro rascador..... | Avstrykare..... | | |
| 8 | | 1 | 1 | | | Link, rear..... | Articulation, arriere..... | Gelenk, hinten | Articulacion, detras..... | Länk, bakre..... | See group 945, Page 889 | |
| 9 | | 1 | 1 | | | Link, forward | Articulation, avant | Gelenk, vordere..... | Articulacion, delante..... | Länk, främre..... | See group 945, Page 885 | |
| 10 | | 2 | 2 | | | Lifting cylinder..... | Verin levage | Hubzylinder | Cilindro elevacion..... | Lyftcylinder..... | See group 945, Page 905 | |
| 11 | | 2 | 2 | | | Tilt cylinder..... | Verin tilt..... | Tiltzylinder | Cilindro tilt | Tiltcylinder..... | See group 945, Page 907 | |
| 12 | VOE 11176383 | 2 | | | | Pin..... | Goupille..... | Zapfen | Pasador..... | Tapp..... | | |
| 13 | VOE 14043289 | 6 | | | | Spacer..... | Partie Intermédiaire..... | Zwischenstück..... | Espaciador | Mellandel..... | | |
| 14 | VOE 11048020 | 4 | 2 | | | Sealing ring | Bague d'étanchéité | Runddichtring | Anillo reten | Tättningsring..... | | |
| 15 | VOE 11025923 | 2 | 1 | | | Spacer..... | Entretoise..... | Abstandstueck..... | Casquillo distanciad | Distans..... | | |
| 16 | VOE 13947355 | 2 | 1 | | | Washer..... | Rondelle..... | Scheibe | Arandela | Bricka..... | | |
| 17 | VOE 13965192 | 2 | 2 | | | Flange screw..... | Vis à bride | Flanschschraube..... | Torn embridado | Flänsskruv..... | | |
| 18 | VOE 11025816 | 2 | 2 | | | Lub Nipple..... | Graisseur | Schmiernippel | Engrasador..... | Smörjnippel..... | See group 945, Page 901 | |
| 19 | VOE 4824484 | 4 | | | | O-ring..... | Joint Torique | O-Ring..... | Junta torica..... | O-ring..... | 1) | |
| 20 | VOE 955260 | 4 | | | | Hexagon screw | Vis tête hexagonale | Sechskantschraube..... | Tornillo hexago..... | Sexkantsskruv..... | | |
| 21 | VOE 13940090 | 8 | | | | Washer..... | Rondelle..... | Scheibe | Arandela | Bricka..... | | |

1) GB: Replacement version FR: Version pièce de rechange. DE: Ersatzteil-ausführung. ES: Version piezas de repuesto. SE: Reservdelsutförande

| | | | | |
|---|------------------------------|--|----------------|------------|
| 1 | STD, OPEN ROPS, 33288 | Lyframverk med monteringsdetaljer Bastidor elevacion con accesorios de montaje Hubgerüst mit Anbauteilen Chassis levage avec pièces de montage Lifting frame work with assembly parts | Catalogue id | Group |
| 2 | 33285, 82377 | | 20007 | 945 |
| 3 | TEST | | Illustr. No | Section |
| 4 | | | 1014343 | 150 |
| 5 | | | Issue | Page |
| | | VOE 63D9920007 | 883 | |

VOLVO

L90E



Volvo Construction
Equipment
1014344

| Fig. | Part No. | Quantity | | | P S | K I T | Description | Dénomination | Bezeichnung | Denominación | Benämning | Notes |
|------|--------------|----------|---|---|--------|----------------|---------------------|-------------------|----------------------|---------------|-------------------------|-------|
| | | 1 | 2 | 3 | | | | | | | | |
| 1 | | 1 | | | | Lft frame work | Chassis levage | Hubgerüst | Bastid elev | Lyframverk | See group 945, Page 883 | |
| 2 | | 1 | | | | Link | Articulation | Gelenk | Articulacion | Länk | See group 945, Page 889 | |
| 3 | VOE 11016079 | 1 | 1 | | | Link | Articulation | Gelenk | Articulacion | Länk | | |
| 3A | VOE 11015610 | 1 | 1 | | | Bushing | Bague | Buchse | Casquillo | Bussning | | |
| 4 | VOE 11020741 | 2 | 2 | | | Link | Articulation | Gelenk | Articulacion | Länk | | |
| 5 | VOE 11015747 | 2 | 2 | | | Bushing | Bague | Buchse | Casquillo | Bussning | | |
| 6 | VOE 11005014 | 4 | 4 | | | Scraper | Racleur | Abstreifring | Aro rascador | Avstrykare | | |
| 7 | VOE 11048019 | 4 | 4 | | | Sealing ring | Bague d'étanchéité | Runddichtring | Anillo reten | Tättningsring | | |
| 8 | VOE 11004396 | 2 | 2 | | | Washer | Rondelle | Scheibe | Arandela | Bricka | | |
| 9 | VOE 968435 | 2 | 2 | | | Flange screw | Vis à bride | Flanschschrabe | Torn embridado | Flänsskruv | | |
| 10 | VOE 11025923 | 2 | 2 | | | Spacer | Entretoise | Abstandstueck | Casquillo distanciad | Distans | | |
| 11 | VOE 13965192 | 2 | 2 | | | Flange screw | Vis à bride | Flanschschrabe | Torn embridado | Flänsskruv | | |
| 12 | VOE 11015674 | 2 | 2 | | | Pin | Goupille | Zapfen | Pasador | Tapp | | |
| 13 | VOE 11025816 | 2 | 2 | | | Lub Nipple | Graisseur | Schmiernippel | Engrasador | Smörjnippel | | |
| 14 | VOE 4824483 | 4 | | | | O-ring | Joint Torique | O-Ring | Junta torica | O-ring | 1) | |
| 15 | VOE 955259 | 4 | | | | Hexagon screw | Vis tête hexagonale | Sechskantschraube | Tornillo hexago | Sexkantsskruv | | |
| 16 | VOE 13940090 | 8 | | | | Washer | Rondelle | Scheibe | Arandela | Bricka | | |
| 17 | VOE 13963104 | 4 | | | | Lock nut | Contre-ecrou | Sicherungsmutter | Contratuerca | Låsmutter | | |
| 18 | VOE 13963104 | 2 | | | | Lock nut | Contre-ecrou | Sicherungsmutter | Contratuerca | Låsmutter | | |
| 19 | VOE 11005015 | 2 | 2 | | | Scraper | Racleur | Abstreifring | Aro rascador | Avstrykare | | |
| 20 | VOE 11015748 | 1 | 1 | | | Bushing | Bague | Buchse | Casquillo | Bussning | | |
| 21 | VOE 11005017 | 2 | 2 | | | Scraper | Racleur | Abstreifring | Aro rascador | Avstrykare | | |
| 22 | VOE 11048020 | 2 | 2 | | | Sealing ring | Bague d'étanchéité | Runddichtring | Anillo reten | Tättningsring | | |
| 23 | VOE 11025923 | 1 | 1 | | | Spacer | Entretoise | Abstandstueck | Casquillo distanciad | Distans | | |
| 24 | VOE 13947355 | 1 | 1 | | | Washer | Rondelle | Scheibe | Arandela | Bricka | | |
| 25 | VOE 13965192 | 1 | 1 | | | Flange screw | Vis à bride | Flanschschrabe | Torn embridado | Flänsskruv | | |
| 26 | VOE 11015767 | 1 | 1 | | | Pin | Fiche | Stecker | Ficha | Stift | | |
| 27 | VOE 11025816 | 1 | 1 | | | Lub Nipple | Graisseur | Schmiernippel | Engrasador | Smörjnippel | | |
| 28 | VOE 4824484 | 2 | | | | O-ring | Joint Torique | O-Ring | Junta torica | O-ring | 1) | |

1) GB: Replacement version FR: Version pièce de rechange. DE: Ersatzteil-ausführung. ES: Version piezas de repuesto. SE: Reservdelsutförande

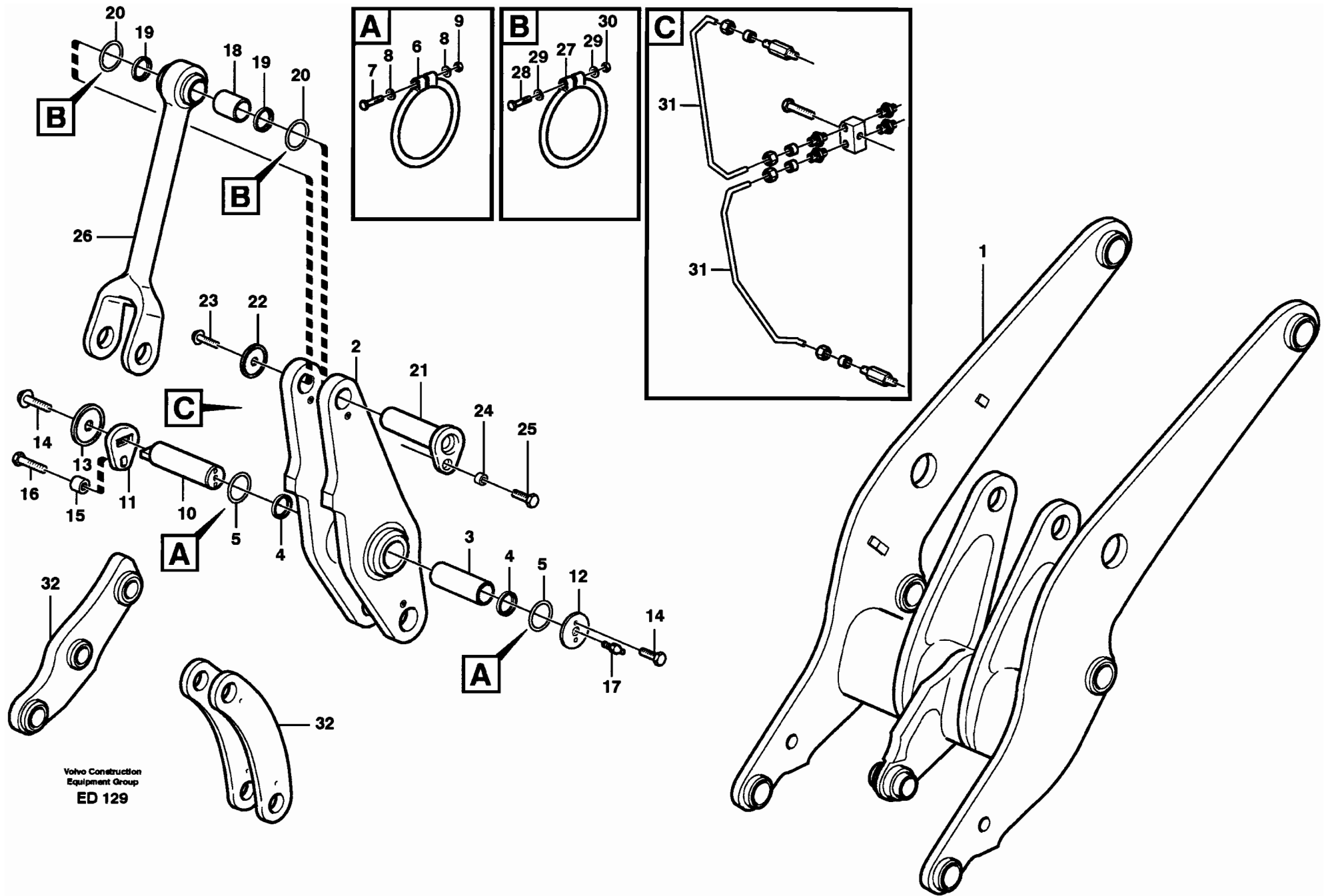
| | | | |
|---|---|-----------------------|------------|
| 1 | Främre länkar med monteringsdetaljer Eslabones delante con accesorios de montaje Vordere Gelenken mit Anbauteilen Raccords arriere avec pièces de montage Forward links with fitting parts | Catalogue id | Group |
| 2 | | 20007 | 945 |
| 3 | | Illustr. No | Section |
| 4 | | 1014344 | 200 |
| 5 | | Issue | Page |
| | | VOE 63D9920007 | 885 |

| Fig. | Part No. | Quantity | | | P S | K T | Description | Dénomination | Bezeichnung | Denominación | Benämning | Notes |
|------|---------------------|----------|---|---|--------|--------|---------------------|-------------------------|-----------------------|----------------------|--------------------|-------|
| | | 1 | 2 | 3 | | | | | | | | |
| 29 | VOE 955260 | 2 | | | | | Hexagon screw | Vis tête hexagonale ... | Sechskantschraube.... | Tornillo hexago..... | Sexkantsskruv..... | |
| 30 | VOE 13940090 | 4 | | | | | Washer..... | Rondelle | Scheibe | Arandela | Bricka..... | |

| | | | |
|---|---|-----------------------|------------|
| 1 | Främre länkar med monteringsdetaljer Eslabones delante con accesorios de montaje Vordere Gelenken mit Anbauteilen Raccords arriere avec pièces de montage Forward links with fitting parts | Catalogue id | Group |
| 2 | | 20007 | 945 |
| 3 | | Illustr. No | Section |
| 4 | | 1014344 | 200 |
| 5 | | Issue | Page |
| | | VOE 63D9920007 | 887 |

VOLVO

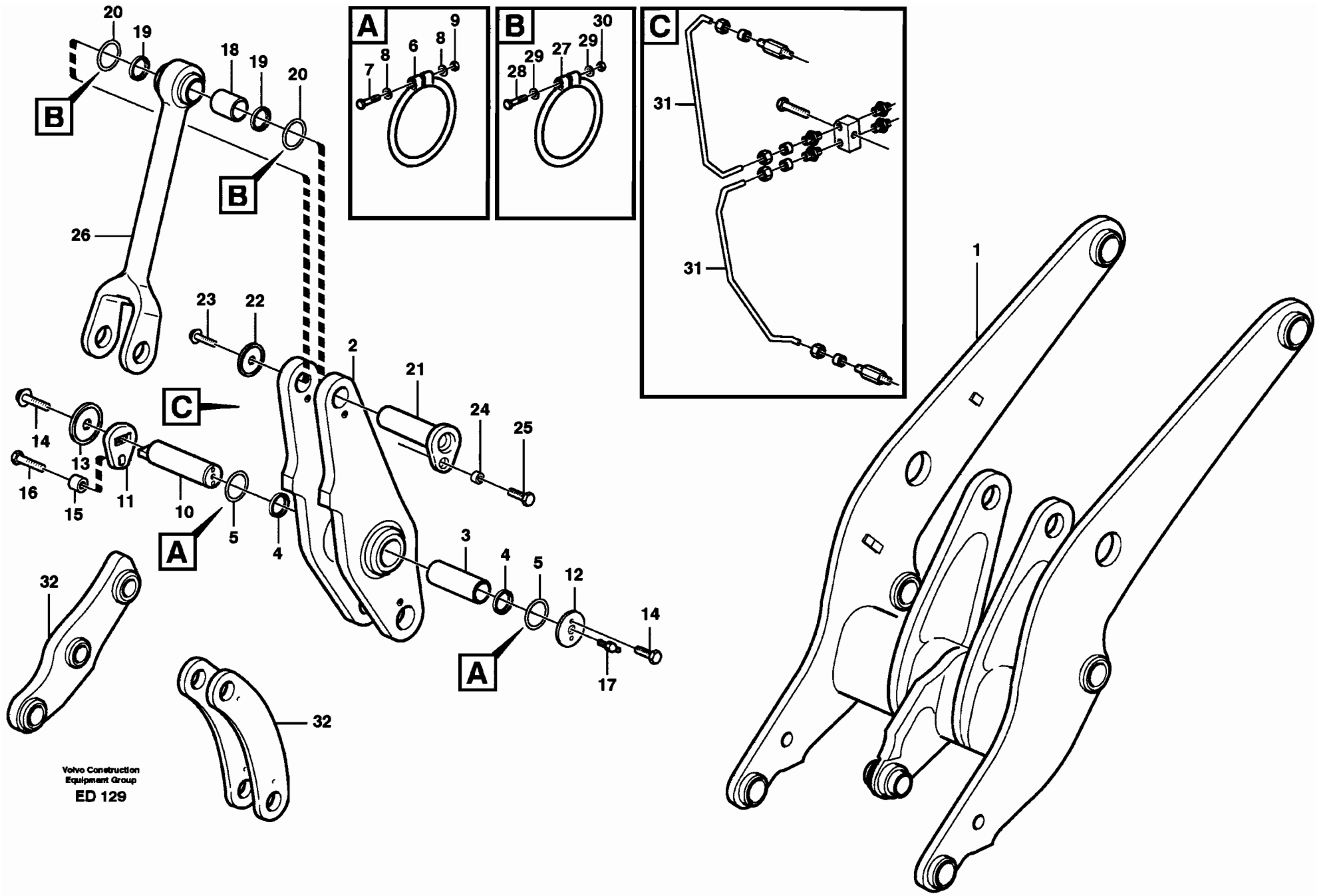
L90E



Volvo Construction
Equipment Group
ED 129

| Fig. | Part No. | Quantity | | | P S | K I T | Description | Dénomination | Bezeichnung | Denominación | Benämning | Notes |
|------|--------------|----------|---|---|--------|----------------|---------------------|-------------------|----------------------|---------------|-------------------------|-------|
| | | 1 | 2 | 3 | | | | | | | | |
| 1 | | 1 | | | | Lft frame work | Chassis levage | Hubgerüst | Bastid elev | Lyfframverk | See group 945, Page 883 | |
| 2 | VOE 11177655 | 1 | 1 | | | Link | Articulation | Gelenk | Articulacion | Länk | | |
| 3 | VOE 11015751 | 1 | 1 | | | Bushing | Bague | Buchse | Casquillo | Bussning | | |
| 4 | VOE 11005099 | 2 | 2 | | | Scraper | Racleur | Abstreifring | Aro rascador | Avstrykare | | |
| 5 | VOE 11048081 | 2 | 2 | | | Sealing ring | Bague d'étanchéité | Runddichtring | Anillo reten | Tättningsring | | |
| 6 | VOE 4824485 | 2 | | | | O-ring | Joint Torique | O-Ring | Junta torica | O-ring | | |
| 7 | VOE 955260 | 2 | | | | Hexagon screw | Vis tête hexagonale | Sechskantschraube | Tornillo hexago | Sexkantsskruv | | |
| 8 | VOE 13940090 | 4 | | | | Washer | Rondelle | Scheibe | Arandela | Bricka | | |
| 9 | VOE 13963104 | 2 | | | | Lock nut | Contre-ecrou | Sicherungsmutter | Contratuerca | Låsmutter | | |
| 10 | VOE 11016020 | 1 | 1 | | | Pin | Fiche | Stecker | Ficha | Stift | | |
| 11 | VOE 11020923 | 1 | 1 | | | Lock Plate | Plaque Verroui | Verschl Platte | Placa Seguridad | Låsplatta | | |
| 12 | VOE 11020924 | 1 | 1 | | | Washer | Rondelle | Scheibe | Arandela | Bricka | | |
| 13 | VOE 11108607 | 1 | 1 | | | Lock Washer | Rondel verroui | Sicher Scheibe | Arandel Segurid | Låsbricka | | |
| 14 | VOE 968435 | 3 | 3 | | | Flange screw | Vis à bride | Flansschraube | Tom embridado | Flänsskruv | | |
| 15 | VOE 11016019 | 1 | 1 | | | Spacer | Entretoise | Abstandstueck | Casquillo distanciad | Distans | | |
| 16 | VOE 13968436 | 1 | 1 | | | Screw | Vis | Schraube | Tornillo | Skruv | | |
| 17 | VOE 11025816 | 1 | 1 | | | Lub Nipple | Graisser | Schmiernippel | Engrasador | Smörjnippel | | |
| 18 | VOE 11015748 | 1 | 1 | | | Bushing | Bague | Buchse | Casquillo | Bussning | | |
| 19 | VOE 11005017 | 2 | 2 | | | Scraper | Racleur | Abstreifring | Aro rascador | Avstrykare | | |
| 20 | VOE 11048020 | 2 | 2 | | | Sealing ring | Bague d'étanchéité | Runddichtring | Anillo reten | Tättningsring | | |
| 21 | VOE 11015765 | 1 | 1 | | | Pin | Fiche | Stecker | Ficha | Stift | | |
| 22 | VOE 11015065 | 1 | 1 | | | Washer | Rondelle | Scheibe | Arandela | Bricka | | |
| 23 | VOE 968435 | 1 | 1 | | | Flange screw | Vis à bride | Flansschraube | Tom embridado | Flänsskruv | | |
| 24 | VOE 11025923 | 1 | 1 | | | Spacer | Entretoise | Abstandstueck | Casquillo distanciad | Distans | | |
| 25 | VOE 13965192 | 1 | 1 | | | Flange screw | Vis à bride | Flansschraube | Tom embridado | Flänsskruv | | |
| 26 | VOE 11015350 | 1 | 1 | | | Link | Articulation | Gelenk | Articulacion | Länk | | |
| 27 | VOE 4824484 | 2 | | | | O-ring | Joint Torique | O-Ring | Junta torica | O-ring | | |
| 28 | VOE 955260 | 2 | | | | Hexagon screw | Vis tête hexagonale | Sechskantschraube | Tornillo hexago | Sexkantsskruv | | |
| 29 | VOE 13940090 | 4 | | | | Washer | Rondelle | Scheibe | Arandela | Bricka | | |
| 30 | VOE 13963104 | 2 | | | | Lock nut | Contre-ecrou | Sicherungsmutter | Contratuerca | Låsmutter | | |

| | | | | |
|---|--|---|-----------------------|------------|
| 1 | | Bakre länkar med monteringsdetaljer Brazos traseros con piezas de montaje Hintere Gelenke mit Anbauteilen Raccords arrière avec pièces de montage Rear links with assembly parts | Catalogue id | Group |
| 2 | | | 20007 | 945 |
| 3 | | | Illustr. No | Section |
| 4 | | | ED129 | 250 |
| 5 | | | Issue | Page |
| | | | VOE 63D9920007 | 889 |



Volvo Construction
Equipment Group
ED 129

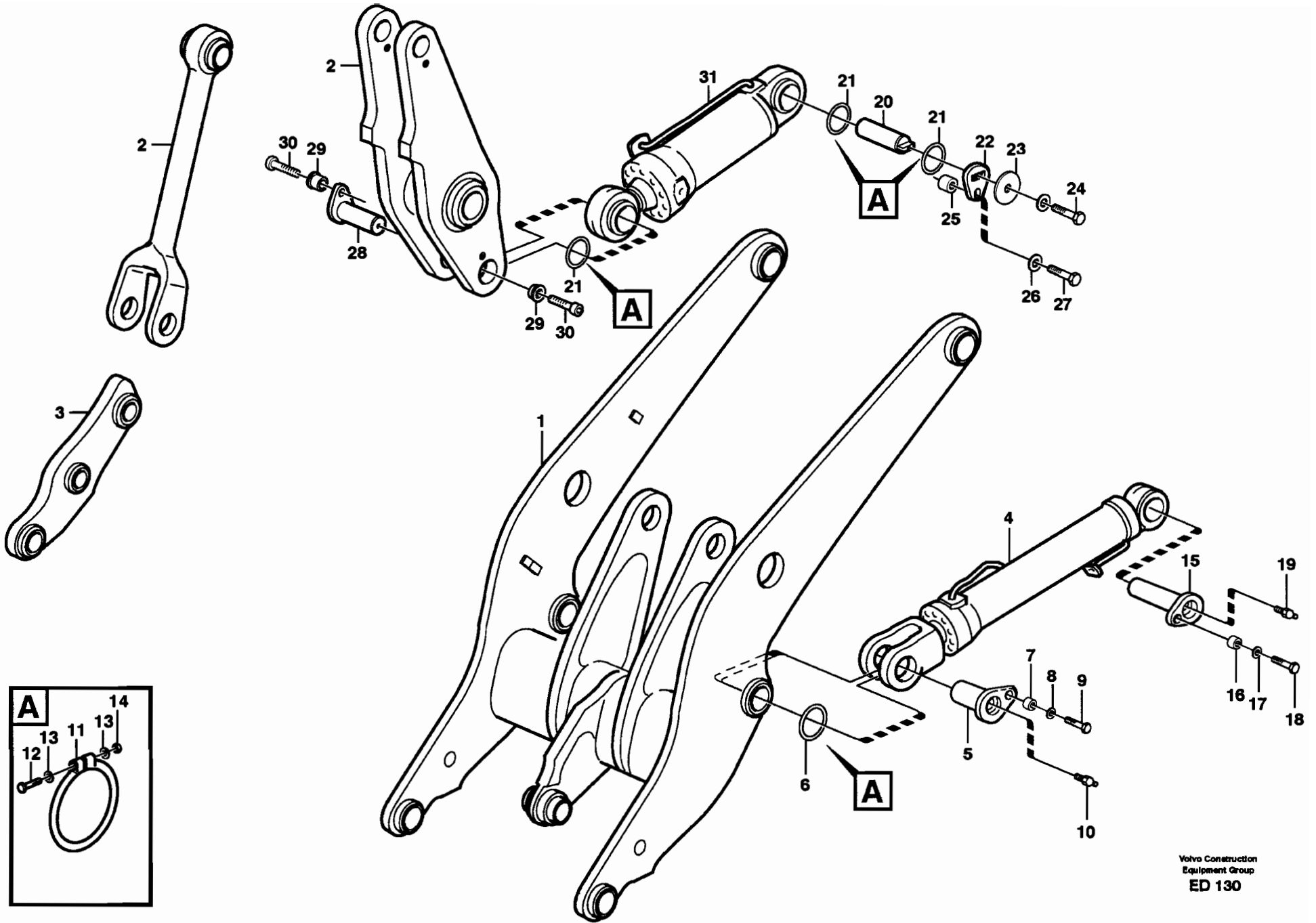
| Fig. | Part No. | Quantity | | | P S | K I T | Description | Dénomination | Bezeichnung | Denominación | Benämning | Notes |
|------|----------|----------|---|---|--------|-----------------------|-----------------------|------------------|-----------------------|---------------|-------------------------|-------|
| | | 1 | 2 | 3 | | | | | | | | |
| 31 | | 1 | | | | Lubricating pipe..... | Tuyau graissage | Schmierrohr..... | Tube lubricante | Smörjrör..... | See group 945, Page 899 | |
| 32 | | 1 | | | | Link | Articulation | Gelenk..... | Articulacion..... | Länk..... | See group 945, Page 885 | |

| | | | |
|---|---|-----------------------|------------|
| 1 | Bakre länkar med monteringsdetaljer Brazos traseros con piezas de montaje Hintere Gelenke mit Anbauteilen Raccords arrière avec pièces de montage Rear links with assembly parts | Catalogue id | Group |
| 2 | | 20007 | 945 |
| 3 | | Illustr. No | Section |
| 4 | | ED129 | 250 |
| 5 | | Issue | Page |
| | | VOE 63D9920007 | 891 |

VOLVO

L90E





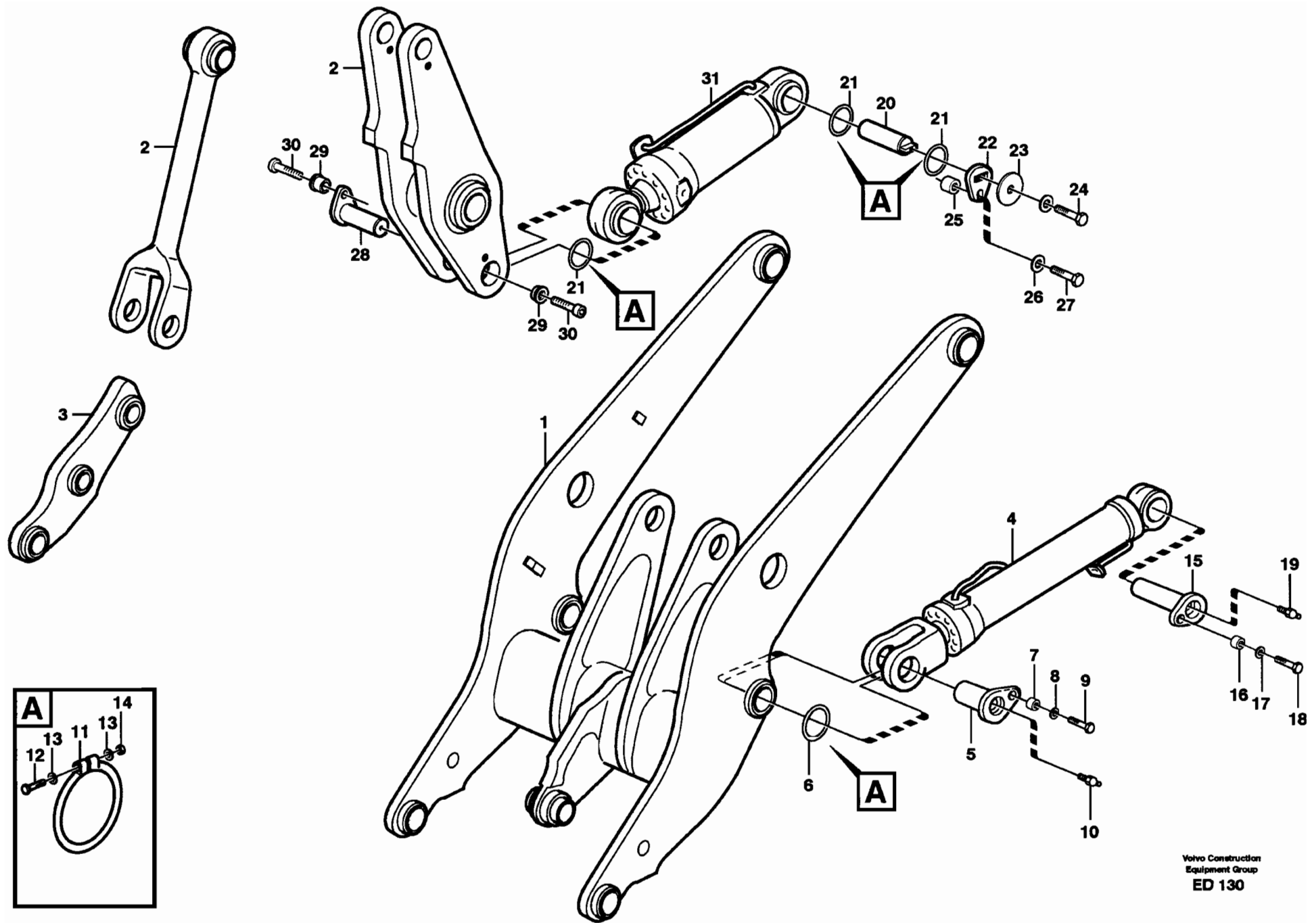
| Fig. | Part No. | Quantity | | | P S | K I T | Description | Dénomination | Bezeichnung | Denominación | Benämning | Notes |
|------|--------------|----------|---|---|--------|------------------|---------------------|-------------------|----------------------|---------------|-------------------------|-------|
| | | 1 | 2 | 3 | | | | | | | | |
| 1 | | 1 | | | | Lft frame work | Chassis levage | Hubgerüst | Bastid elev | Lyframverk | See group 945, Page 883 | |
| 2 | | | | | | •Link | •Articulation | •Gelenk | •Articulacion | •Länk | See group 945, Page 885 | |
| 3 | | | | | | •Link | •Articulation | •Gelenk | •Articulacion | •Länk | See group 945, Page 889 | |
| 4 | | 2 | | | | Lifting cylinder | Verin levage | Hubzylinder | Cilindro elevacion | Lyftcylinder | See group 945, Page 905 | |
| 5 | VOE 11015761 | 2 | | | | Pin | Goupille | Zapfen | Pasador | Tapp | | |
| | VOE 11176281 | 2 | | | | Bearing spindle | Axe | Achszapfen | Gorron | Axeltapp | 82378 | |
| 6 | VOE 11048020 | 4 | | | | Sealing ring | Bague d'étanchéité | Runddichtring | Anillo reten | Tättningsring | | |
| 7 | VOE 11025923 | 2 | | | | Spacer | Entretoise | Abstandstueck | Casquillo distanciad | Distans | | |
| 8 | VOE 13947355 | 2 | | | | Washer | Rondelle | Scheibe | Arandela | Bricka | | |
| 9 | VOE 13965192 | 2 | | | | Flange screw | Vis à bride | Flanschschaube | Torn embridado | Flänsskruv | | |
| 10 | VOE 11025816 | 2 | | | | Lub Nipple | Graisseur | Schmiernippel | Engrasador | Smörjnippel | | |
| 11 | VOE 4824484 | 4 | | | | O-ring | Joint Torique | O-Ring | Junta torica | O-ring | 1) | |
| 12 | VOE 955260 | 4 | | | | Hexagon screw | Vis tête hexagonale | Sechskantschraube | Tornillo hexago | Sexkantsskruv | | |
| 13 | VOE 13940090 | 8 | | | | Washer | Rondelle | Scheibe | Arandela | Bricka | | |
| 14 | VOE 13963104 | 4 | | | | Lock nut | Contre-ecrou | Sicherungsmutter | Contratuerca | Låsmutter | | |
| 15 | VOE 11176437 | 2 | | | | Pin | Goupille | Zapfen | Pasador | Tapp | | |
| 16 | VOE 11025923 | 2 | | | | Spacer | Entretoise | Abstandstueck | Casquillo distanciad | Distans | | |
| 17 | VOE 13947355 | 2 | | | | Washer | Rondelle | Scheibe | Arandela | Bricka | | |
| 18 | VOE 13965192 | 2 | | | | Flange screw | Vis à bride | Flanschschaube | Torn embridado | Flänsskruv | | |
| 19 | VOE 11025816 | 2 | | | | Lub Nipple | Graisseur | Schmiernippel | Engrasador | Smörjnippel | | |
| 20 | VOE 11176254 | 1 | | | | Pin | Goupille | Zapfen | Pasador | Tapp | | |
| 21 | VOE 11048020 | 4 | | | | Sealing ring | Bague d'étanchéité | Runddichtring | Anillo reten | Tättningsring | | |
| 22 | VOE 11176255 | 1 | | | | Lock Plate | Plaque Verroui | Verschl Platte | Placa Seguridad | Låsplatta | | |
| 23 | VOE 11020422 | 1 | | | | Washer | Rondelle | Scheibe | Arandela | Bricka | | |
| 24 | VOE 13965192 | 2 | | | | Flange screw | Vis à bride | Flanschschaube | Torn embridado | Flänsskruv | | |
| 25 | VOE 11025923 | 3 | | | | Spacer | Entretoise | Abstandstueck | Casquillo distanciad | Distans | | |
| 26 | VOE 13947355 | 1 | | | | Washer | Rondelle | Scheibe | Arandela | Bricka | | |
| 27 | VOE 13965192 | 2 | | | | Flange screw | Vis à bride | Flanschschaube | Torn embridado | Flänsskruv | | |
| 28 | VOE 11015763 | 1 | | | | Pin | Fiche | Stecker | Ficha | Stift | | |

1) GB: Replacement version FR: Version pièce de rechange. DE: Ersatzteil-ausführung. ES: Version piezas de repuesto. SE: Reservdelsutförande

| | | | |
|---|--|-----------------------|------------|
| 1 | Lyft- och tiltcylinder med monteringsdetaljer. Cilindro elevacion- y volquete con accesorios de montaje. Hub- und Schwenkzylinder mit Anbauteilen. Verin levage- et redressement avec pièces de montage. Lifting- and tilt cylinder with assembly parts. STD, OPEN ROPS | Catalogue id | Group |
| 2 | | 20007 | 945 |
| 3 | | Illustr. No | Section |
| 4 | | ED130 | 300 |
| 5 | | Issue | Page |
| | | VOE 63D9920007 | 893 |

VOLVO

L90E



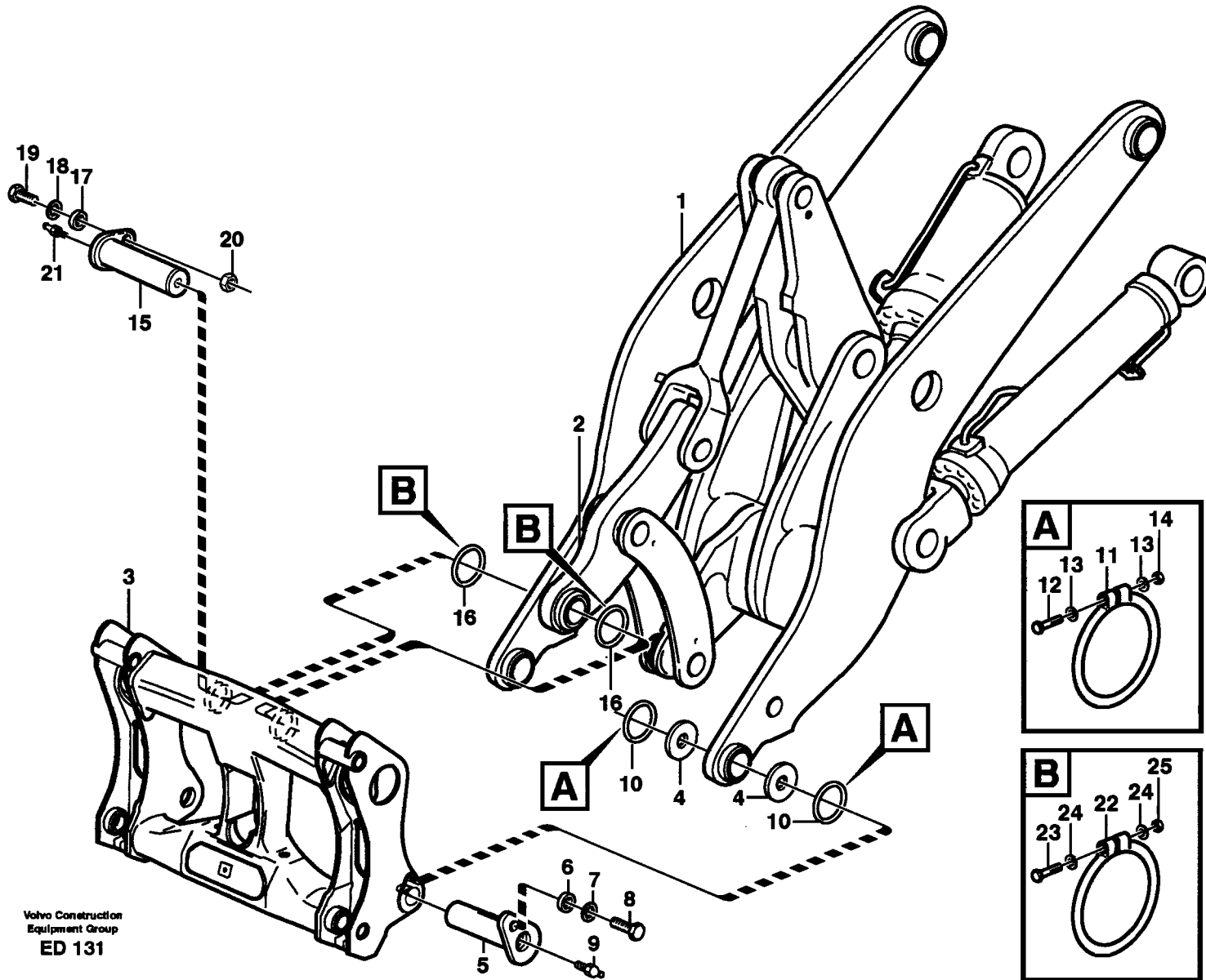
| Fig. | Part No. | Quantity | | | P S | K I T | Description | Dénomination | Bezeichnung | Denominación | Benämning | Notes |
|------|--------------|----------|---|---|--------|-------------|----------------------|----------------------|--------------------|--------------------------|-------------------|-------------------------|
| | | 1 | 2 | 3 | | | | | | | | |
| 29 | VOE 11091337 | 2 | | | | | Spacer..... | Entretoise..... | Abstandstueck..... | Casquillo distanciad ... | Distans..... | |
| 30 | VOE 959254 | 2 | | | | | Allen Hd Screw | Vis A 6 Pans Cr..... | Inbusschraube..... | Torn Hex Embut | Insexskruv..... | |
| 31 | | 1 | | | | | Tilt cylinder..... | Verin tilt..... | Tiltzylinder..... | Cilindro tilt | Tiltzylinder..... | See group 945, Page 907 |

| | | | | |
|---|--|--|-----------------------|------------|
| 1 | | Lyft- och tiltzylinder med monteringsdetaljer. Cilindro elevacion- y volquete con accesorios de montaje. Hub- und Schwenkzylinder mit Anbauteilen. Verin levage- et redressement avec pièces de montage. Lifting- and tilt cylinder with assembly parts. STD, OPEN ROPS | Catalogue id | Group |
| 2 | | | 20007 | 945 |
| 3 | | | Illustr. No | Section |
| 4 | | | ED130 | 300 |
| 5 | | | Issue | Page |
| | | | VOE 63D9920007 | 895 |

VOLVO

L90E



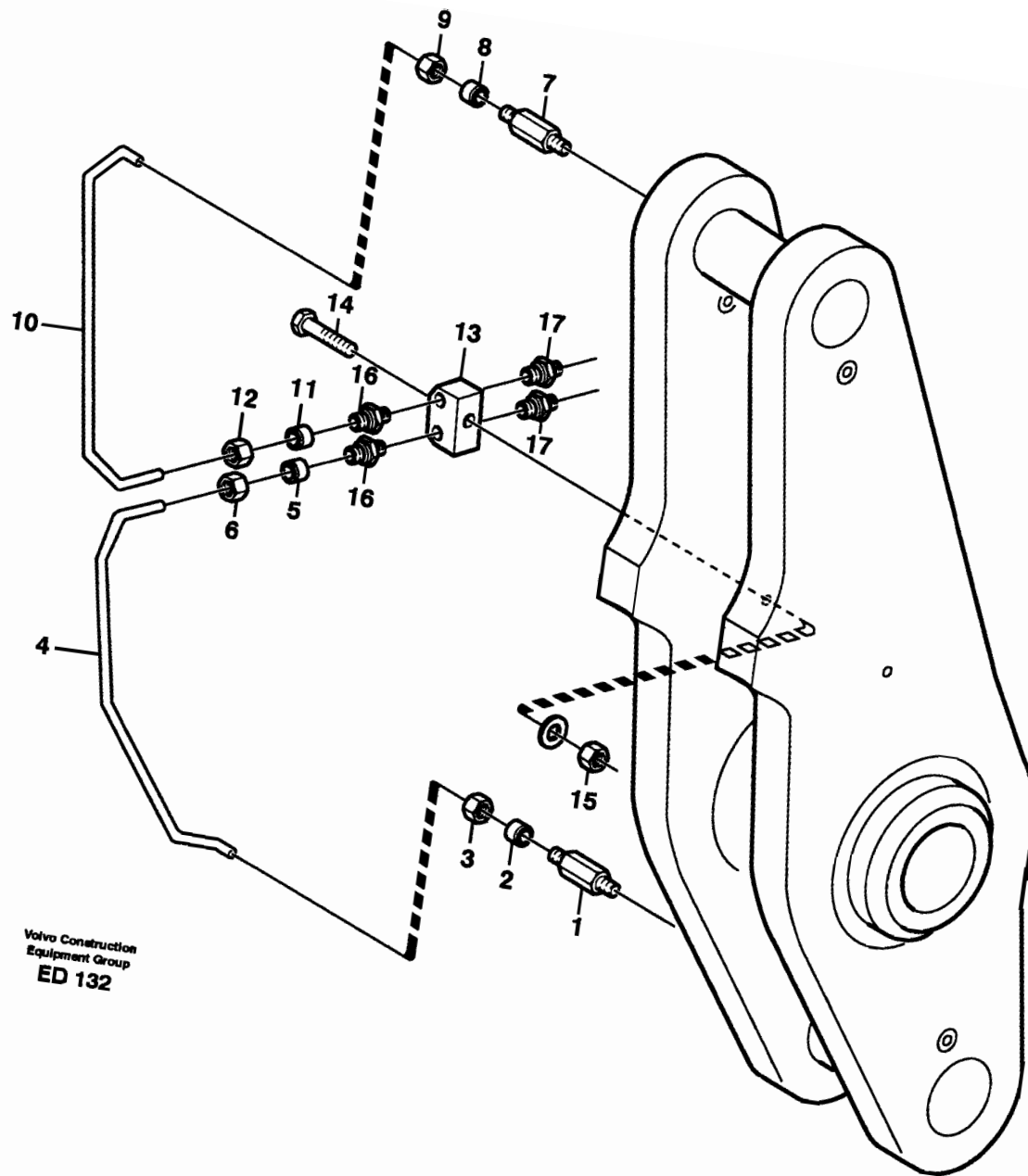


Volvo Construction
 Equipment Group
 ED 131

| Fig. | Part No. | Quantity | | | P S | K I T | Description | Dénomination | Bezeichnung | Denominación | Benämning | Notes |
|------|--------------|----------|---|---|--------|-----------------------|---------------------------|-------------------------|----------------------------|----------------------|-------------------------|-------|
| | | 1 | 2 | 3 | | | | | | | | |
| 1 | | 1 | | | | Lft frame work | Chassis levage | Hubgerüst | Bastid elev | Lyframverk | See group 945, Page 883 | |
| 2 | | 1 | | | | •Link | •Articulation | •Gelenk | •Articulacion | •Länk | See group 945, Page 889 | |
| 3 | | 1 | | | | Atch Bracket | Porte-outil | Geräteträger | Soporte Impleme | Redskapsfäste | See group 924, Page 869 | |
| 4 | VOE 11176801 | 4 | | | | Shim | Cale d'épaisseur | Passscheibe | Arandela Ajuste | Passbricka | | |
| 5 | VOE 11015759 | 2 | | | | Pin | Goupille | Zapfen | Pasador | Tapp | | |
| 6 | VOE 11025923 | 2 | | | | Spacer | Entretoise | Abstandstueck | Casquillo distanciad | Distans | | |
| 7 | VOE 13947355 | 2 | | | | Washer | Rondelle | Scheibe | Arandela | Bricka | | |
| 8 | VOE 13965192 | 2 | | | | Flange screw | Vis à bride | Flanschschraube | Torn embridado | Flänskruv | | |
| 9 | VOE 11025816 | 2 | | | | Lub Nipple | Graisseur | Schmiernippel | Engrasador | Smörjnippel | | |
| 10 | VOE 11048019 | 4 | | | | Sealing ring | Bague d'étanchéité | Runddichtring | Anillo reten | Tättningsring | | |
| 11 | VOE 4824483 | 4 | | | | O-ring | Joint Torique | O-Ring | Junta torica | O-ring | 1) | |
| 12 | VOE 955259 | 4 | | | | Hexagon screw | Vis tête hexagonale | Sechskantschraube | Tornillo hexago | Sexkantsskruv | | |
| 13 | VOE 13940090 | 8 | | | | Washer | Rondelle | Scheibe | Arandela | Bricka | | |
| 14 | VOE 13963104 | 4 | | | | Lock nut | Contre-ecrou | Sicherungsmutter | Contratuerca | Låsmutter | | |
| 15 | VOE 11016121 | 1 | | | | Pin | Goupille | Zapfen | Pasador | Tapp | | |
| 16 | VOE 11048020 | 2 | | | | Sealing ring | Bague d'étanchéité | Runddichtring | Anillo reten | Tättningsring | | |
| 17 | VOE 11025923 | 1 | | | | Spacer | Entretoise | Abstandstueck | Casquillo distanciad | Distans | | |
| 18 | VOE 13947355 | 1 | | | | Washer | Rondelle | Scheibe | Arandela | Bricka | | |
| 19 | VOE 13965193 | 1 | | | | Screw | Vis | Schraube | Tornillo | Skruv | | |
| 20 | VOE 971099 | 1 | | | | Flange Lock Nut | Contre écrou bride | Flanschmutter | Contratuer Embr | Flänslåsmutter | | |
| 21 | VOE 11025816 | 1 | | | | Lub Nipple | Graisseur | Schmiernippel | Engrasador | Smörjnippel | | |
| 22 | VOE 4824484 | 2 | | | | O-ring | Joint Torique | O-Ring | Junta torica | O-ring | 1) | |
| 23 | VOE 955260 | 2 | | | | Hexagon screw | Vis tête hexagonale | Sechskantschraube | Tornillo hexago | Sexkantsskruv | | |
| 24 | VOE 13940090 | 4 | | | | Washer | Rondelle | Scheibe | Arandela | Bricka | | |
| 25 | VOE 13963104 | 2 | | | | Lock nut | Contre-ecrou | Sicherungsmutter | Contratuerca | Låsmutter | | |

1) GB: Replacement version FR: Version pièce de rechange. DE: Ersatzteil-ausführung. ES: Version piezas de repuesto. SE: Reservdelsutförande

| | | | |
|---|--|-----------------------|------------|
| 1 | Montering redskapsfäste. Montaje de soporte de implementos. Montieren Geräteträger. Montage de porte-outil. Assemble attachment bracket. STD, OPEN ROPS | Catalogue id | Group |
| 2 | | 20007 | 945 |
| 3 | | Illustr. No | Section |
| 4 | | ED131 | 350 |
| 5 | | Issue | Page |
| | | VOE 63D9920007 | 897 |



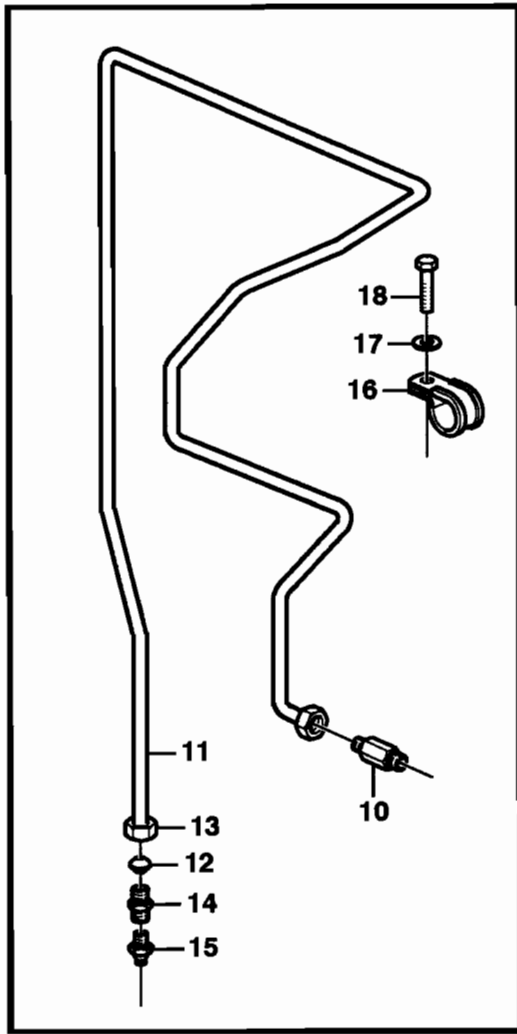
Volvo Construction
Equipment Group
ED 132

| Fig. | Part No. | Quantity | | | P S | K T | Description | Dénomination | Bezeichnung | Denominación | Benämning | Notes |
|------|--------------|----------|---|---|--------|--------|----------------------|-------------------------|----------------------|----------------------|-----------------------|-------|
| | | 1 | 2 | 3 | | | | | | | | |
| 1 | VOE 11015258 | 1 | | | | | Nipple..... | Raccord..... | Nippel..... | Niple..... | Nippel..... | |
| 2 | VOE 13956967 | 1 | | | | | Ferrule..... | Bague Surete..... | Schneidring..... | Anillo Acoplam..... | Skärring..... | |
| 3 | VOE 956981 | 1 | | | | | Fitting Nut..... | Ecrou Accouple..... | Überwurfmutter..... | Tuerca Acoplam..... | Kopplingsmutter..... | |
| 4 | VOE 11015243 | 1 | | | | | Pipe..... | Canalisation..... | Rohrleitung..... | Canalización..... | Rör..... | |
| 5 | VOE 13956967 | 1 | | | | | •Ferrule..... | •Bague Surete..... | •Schneidring..... | •Anillo Acoplam..... | •Skärring..... | |
| 6 | VOE 956981 | 1 | | | | | •Fitting Nut..... | •Ecrou Accouple..... | •Überwurfmutter..... | •Tuerca Acoplam..... | •Kopplingsmutter..... | |
| 7 | VOE 11015258 | | 1 | 1 | | | Nipple..... | Raccord..... | Nippel..... | Niple..... | Nippel..... | |
| 8 | VOE 13956967 | | 1 | 1 | | | Ferrule..... | Bague Surete..... | Schneidring..... | Anillo Acoplam..... | Skärring..... | |
| 9 | VOE 956981 | | 1 | 1 | | | Fitting Nut..... | Ecrou Accouple..... | Überwurfmutter..... | Tuerca Acoplam..... | Kopplingsmutter..... | |
| 10 | VOE 11015241 | | 1 | 1 | | | Pipe..... | Canalisation..... | Rohrleitung..... | Canalización..... | Rör..... | |
| 11 | VOE 13956967 | | 1 | 1 | | | •Ferrule..... | •Bague Surete..... | •Schneidring..... | •Anillo Acoplam..... | •Skärring..... | |
| 12 | VOE 956981 | | 1 | 1 | | | •Fitting Nut..... | •Ecrou Accouple..... | •Überwurfmutter..... | •Tuerca Acoplam..... | •Kopplingsmutter..... | |
| 13 | VOE 11015263 | | 1 | 1 | | | Nipple..... | Raccord..... | Nippel..... | Niple..... | Nippel..... | |
| 14 | VOE 13965182 | | 1 | 1 | | | Flange screw..... | Vis à bride..... | Flanschschaube..... | Torn embridado..... | Flänsskruv..... | |
| 15 | VOE 13945408 | | 1 | | | | Nut..... | Ecrou..... | Mutter..... | Tuerca..... | Mutter..... | |
| | VOE 948645 | | | 1 | | | Flange Lock Nut..... | Contre écrou bride..... | Flanschmutter..... | Contratuer Embr..... | Flänslåsmutter..... | |
| 16 | VOE 946089 | | 2 | 2 | | | Nipple..... | Raccord..... | Nippel..... | Niple..... | Nippel..... | |
| 17 | VOE 914167 | | 2 | 2 | | | Nipple..... | Raccord..... | Nippel..... | Niple..... | Nippel..... | |

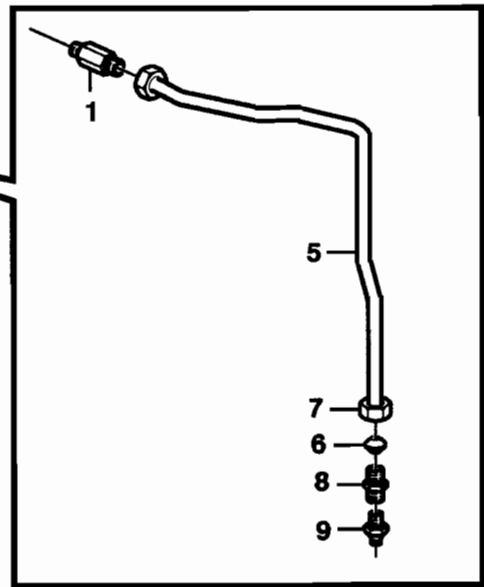
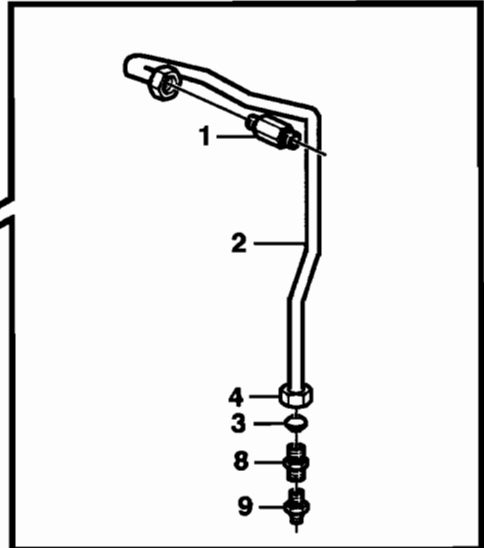
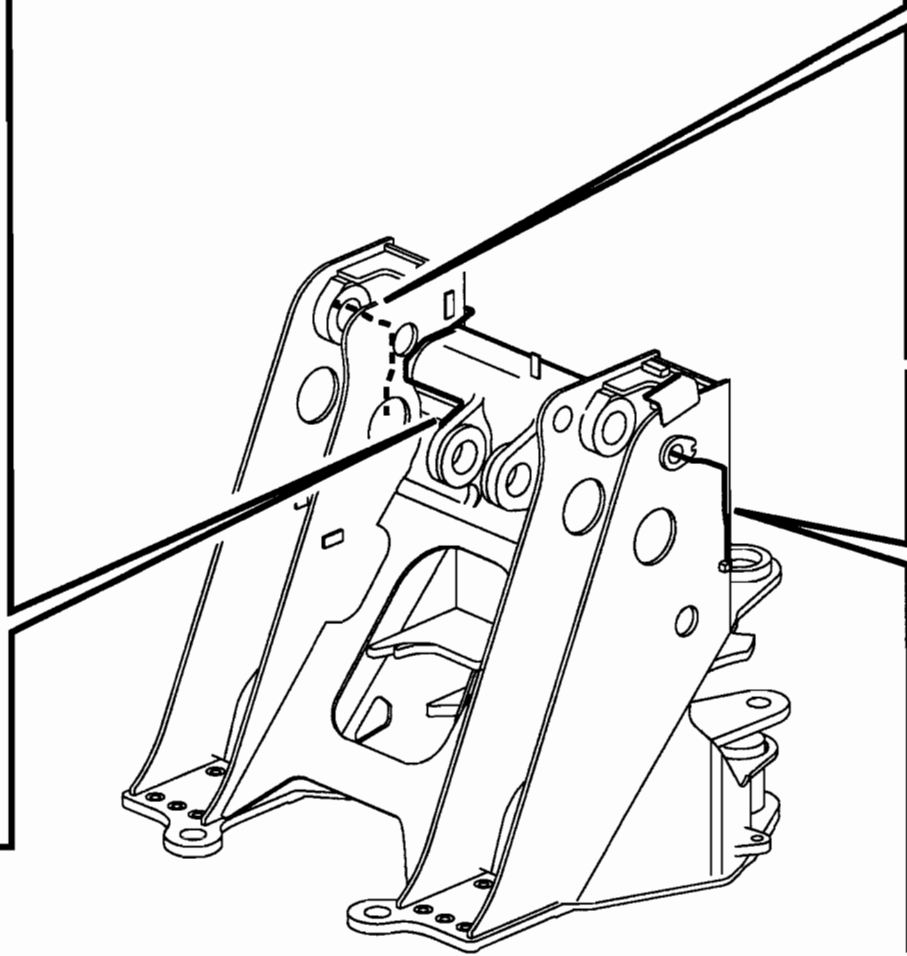
| | | | | |
|---|----------------|--|--------------|------------|
| 1 | STD, OPEN ROPS | Framdragna smörjpunkter för lyftarmssystem Tube lubricante para de unid elevadora Hubaggregatschmierung Tuyau graissage pour d'élévateur Extended lube points for lift arm system | Catalogue id | Group |
| 2 | 33282 | | 20007 | 945 |
| 3 | 33285, 82377 | | Illustr. No | Section |
| 4 | | | ED132 | 400 |
| 5 | | | Issue | Page |
| | | VOE 63D9920007 | 899 | |

VOLVO

L90E



Volvo Construction
Equipment Group
ED 138

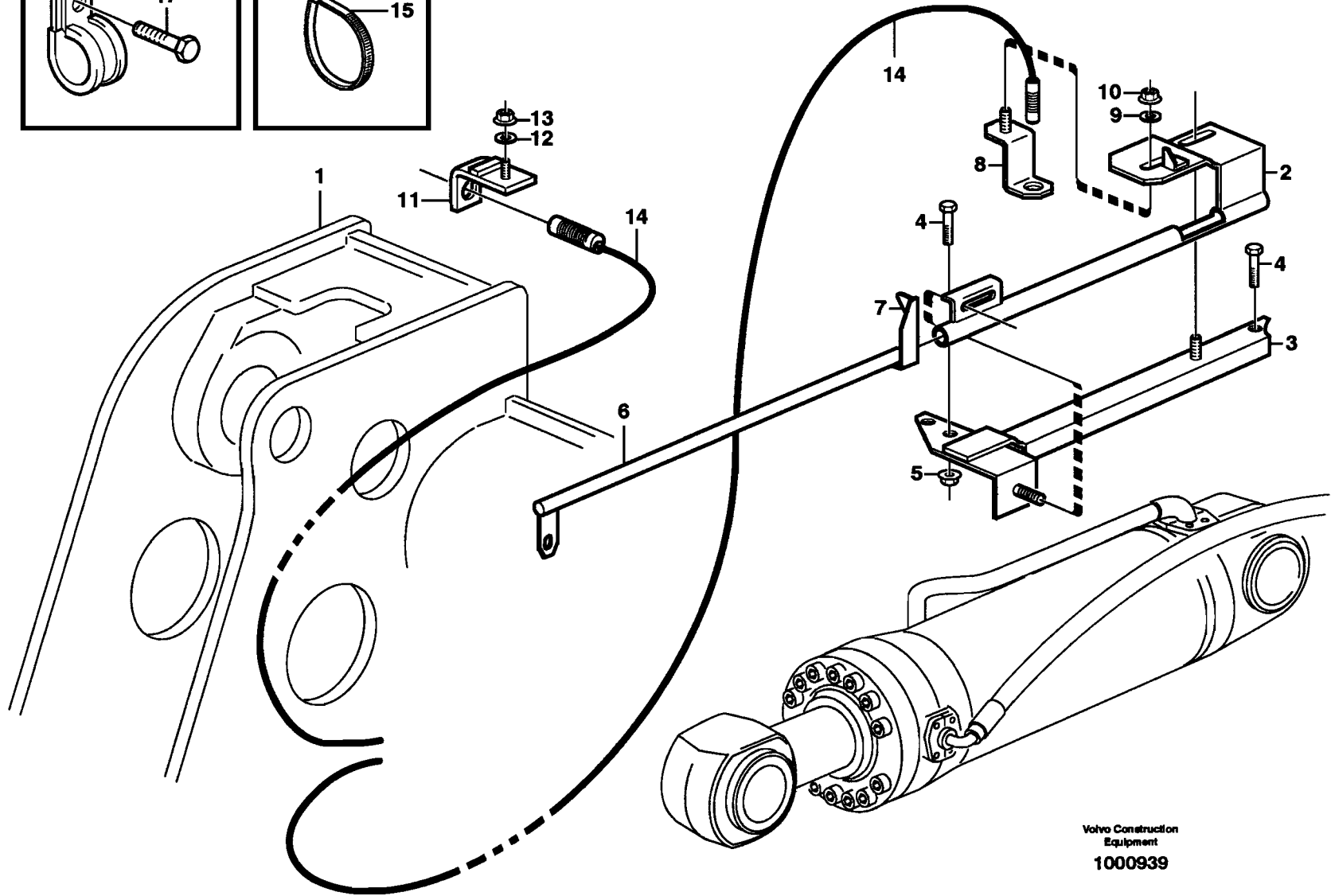
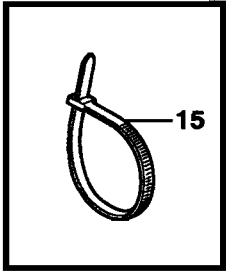
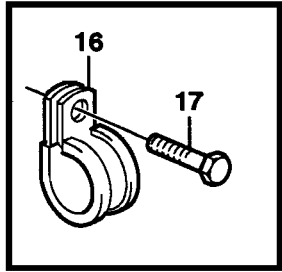


| Fig. | Part No. | Quantity | | | P S | K I T | Description | Dénomination | Bezeichnung | Denominación | Benämning | Notes |
|------|--------------|----------|---|---|--------|-------------------|----------------------|----------------------|----------------------|-----------------------|-----------|-------|
| | | 1 | 2 | 3 | | | | | | | | |
| 1 | VOE 11015258 | 2 | | | | Nipple..... | Raccord..... | Nippel..... | Niple..... | Nippel..... | | |
| 2 | VOE 11020209 | 1 | | | | Pipe..... | Canalisation..... | Rohrleitung..... | Canalización..... | Rör..... | | |
| 3 | VOE 13956967 | 2 | | | | •Ferrule..... | •Bague Surete..... | •Schneidring..... | •Anillo Acoplam..... | •Skärring..... | | |
| 4 | VOE 956981 | 2 | | | | •Fitting Nut..... | •Ecrou Accouple..... | •Überwurfmutter..... | •Tuerca Acoplam..... | •Kopplingsmutter..... | | |
| 5 | VOE 11020211 | 1 | | | | Pipe..... | Canalisation..... | Rohrleitung..... | Canalización..... | Rör..... | | |
| 6 | VOE 13956967 | 2 | | | | •Ferrule..... | •Bague Surete..... | •Schneidring..... | •Anillo Acoplam..... | •Skärring..... | | |
| 7 | VOE 956981 | 2 | | | | •Fitting Nut..... | •Ecrou Accouple..... | •Überwurfmutter..... | •Tuerca Acoplam..... | •Kopplingsmutter..... | | |
| 8 | VOE 946089 | 2 | | | | Nipple..... | Raccord..... | Nippel..... | Niple..... | Nippel..... | | |
| 9 | VOE 914167 | 2 | | | | Nipple..... | Raccord..... | Nippel..... | Niple..... | Nippel..... | | |
| 10 | VOE 11015258 | 1 | | | | Nipple..... | Raccord..... | Nippel..... | Niple..... | Nippel..... | | |
| 11 | VOE 11176487 | 1 | | | | Pipe..... | Canalisation..... | Rohrleitung..... | Canalización..... | Rör..... | | |
| 12 | VOE 13956967 | 2 | | | | •Ferrule..... | •Bague Surete..... | •Schneidring..... | •Anillo Acoplam..... | •Skärring..... | | |
| 13 | VOE 956981 | 2 | | | | •Fitting Nut..... | •Ecrou Accouple..... | •Überwurfmutter..... | •Tuerca Acoplam..... | •Kopplingsmutter..... | | |
| 14 | VOE 946089 | 1 | | | | Nipple..... | Raccord..... | Nippel..... | Niple..... | Nippel..... | | |
| 15 | VOE 914167 | 1 | | | | Nipple..... | Raccord..... | Nippel..... | Niple..... | Nippel..... | | |
| 16 | VOE 952623 | 1 | | | | Clamp..... | Pince Serrage..... | Klemme..... | Abrazadera..... | Klämma..... | | |
| 17 | VOE 13960141 | 1 | | | | Washer..... | Rondelle..... | Scheibe..... | Arandela..... | Bricka..... | | |
| 18 | VOE 13965175 | 1 | | | | Screw..... | Vis..... | Schraube..... | Tornillo..... | Skruv..... | | |

| | | | | |
|---|--|---|--------------|------------|
| 1 | | Framdragna smörjpunkter för lyftarmssystem Tube lubricante para de unid elevadora Hubaggregatschmierung Tuyau graissage pour d'élévateur Extended lube points for lift arm system STD, OPEN ROPS | Catalogue id | Group |
| 2 | | | 20007 | 945 |
| 3 | | | Illustr. No | Section |
| 4 | | | ED138 | 410 |
| 5 | | | Issue | Page |
| | | VOE 63D9920007 | 901 | |

VOLVO

L90E



Volvo Construction
Equipment
1000939

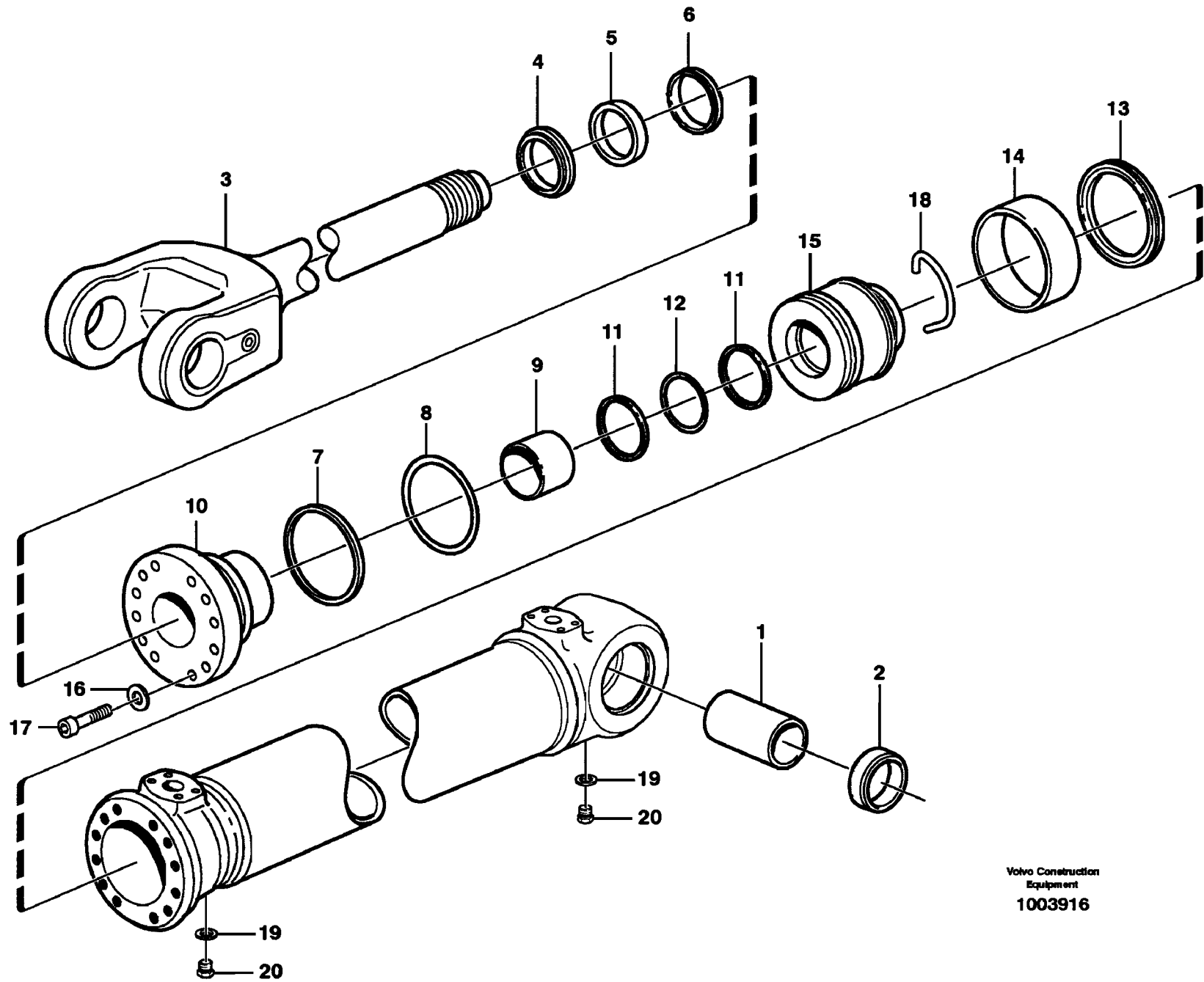


| Fig. | Part No. | Quantity | | | P S | K I T | Description | Dénomination | Bezeichnung | Denominación | Benämning | Notes |
|------|--------------|----------|---|---|--------|----------------------|-------------------------|----------------------|----------------------|---------------------|-------------------------|-------|
| | | 1 | 2 | 3 | | | | | | | | |
| 1 | | 1 | | | | Front frame | Chassis av | Vorderrahmen | Marco delant | Framram..... | See group 711, Page 579 | |
| 2 | VOE 11176245 | 1 | | | | Bracket..... | Console..... | Konsole..... | Ménsula..... | Konsol..... | | |
| 3 | VOE 11176242 | 1 | | | | Bracket..... | Console..... | Konsole..... | Ménsula..... | Konsol..... | | |
| 4 | VOE 13946817 | 3 | | | | Screw..... | Vis..... | Schraube..... | Tornillo..... | Skruv..... | | |
| 5 | VOE 13971098 | 2 | | | | Flange nut..... | Ecrou accouple..... | Bundmutter..... | Tuerca embridad..... | Flänsmutter..... | | |
| 6 | VOE 11177025 | 1 | | | | Indicator..... | Indicateur..... | Indikator..... | Indicador..... | Indikator..... | | |
| 7 | VOE 11027212 | 1 | | | | Decal..... | Decalcomanie..... | Abziehbild..... | Decalcomania..... | Dekal..... | | |
| 8 | VOE 11020538 | 1 | | | | Attachment..... | Fixation..... | Halterung..... | Fijacion..... | Fäste..... | | |
| 9 | VOE 13960141 | 1 | | | | Washer..... | Rondelle..... | Scheibe..... | Arandela..... | Bricka..... | | |
| 10 | VOE 948645 | 1 | | | | Flange Lock Nut..... | Contre écrou bride..... | Flanschmutter..... | Contratuer Embr..... | Flänslåsmutter..... | | |
| 11 | VOE 11024585 | 1 | | | | Retainer..... | Retenue..... | Halter..... | Soporte..... | Hållare..... | | |
| 12 | VOE 13960141 | 1 | | | | Washer..... | Rondelle..... | Scheibe..... | Arandela..... | Bricka..... | | |
| 13 | VOE 948645 | 1 | | | | Flange Lock Nut..... | Contre écrou bride..... | Flanschmutter..... | Contratuer Embr..... | Flänslåsmutter..... | | |
| 14 | VOE 11112903 | 2 | | | | Ind Sensor..... | Emett.induction..... | Induktionsgeber..... | Sensor Inducc..... | Indukt.givare..... | SE901, SE902 | |
| 15 | VOE 4881440 | 4 | | | | Strip Clamp..... | Ruban Serrage..... | Kabelbinder..... | Abraz Cinta..... | Bandklamma..... | | |
| 16 | VOE 13949746 | 3 | | | | Clamp..... | Pince Serrage..... | Klemme..... | Abrazadera..... | Klämma..... | | |
| 17 | VOE 13946173 | 3 | | | | Flange screw..... | Vis à bride..... | Flanschschraube..... | Torn embridado..... | Flänsskruv..... | | |

| | | | | |
|---|--|---|-----------------------|------------|
| 1 | | Skop- och lyftautomatik Elevador automático y automatismo de cuchara Hubwerk- und Schaufelautomatik Automatique de levage et automatique godet Bucket positioner and boom kickout STD, OPEN ROPS | Catalogue id | Group |
| 2 | | | 20007 | 945 |
| 3 | | | Illustr. No | Section |
| 4 | | | 1000939 | 450 |
| 5 | | | Issue | Page |
| | | | VOE 63D9920007 | 903 |

VOLVO

L90E



Volvo Construction
 Equipment
 1003916

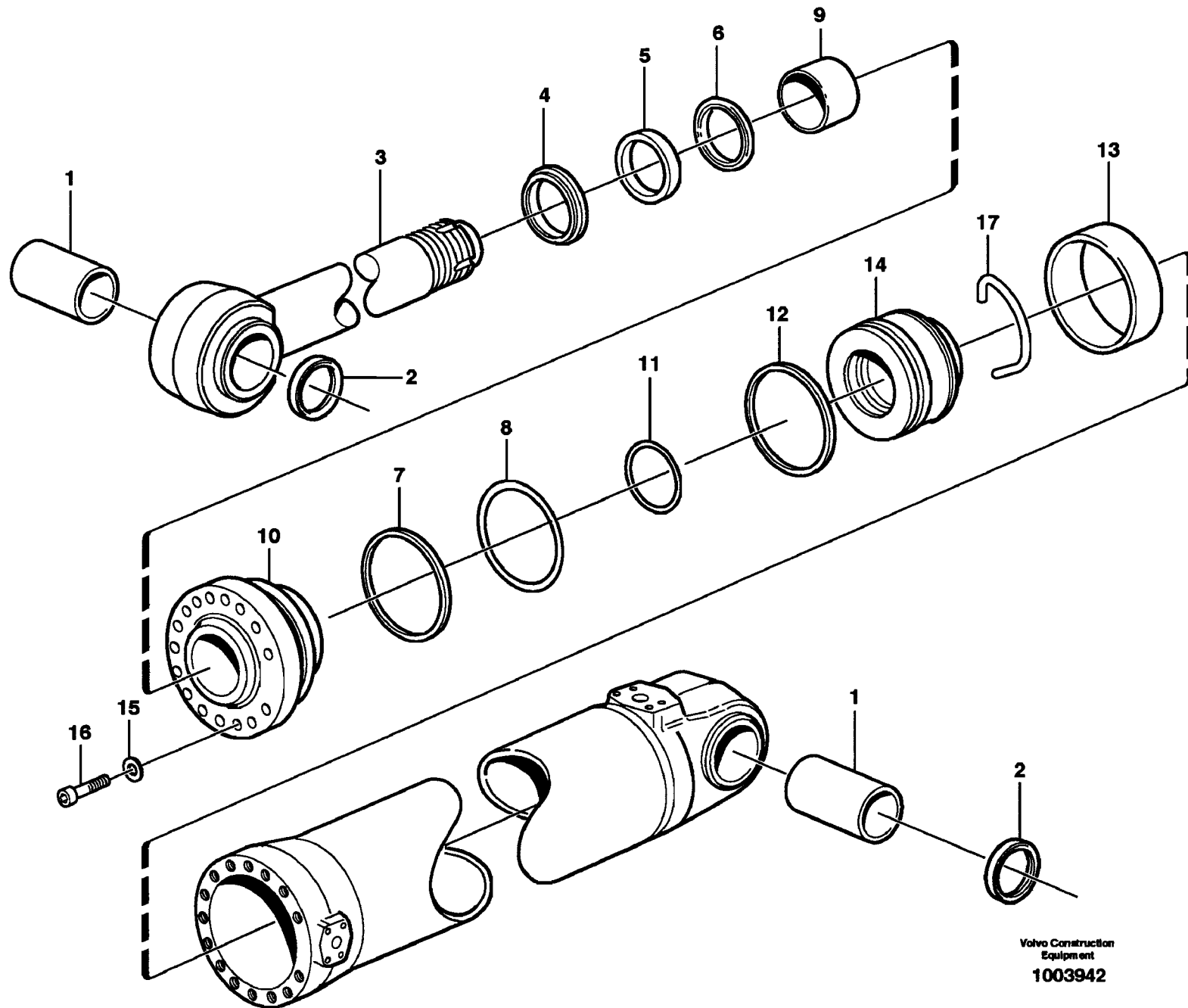


| Fig. | Part No. | Quantity | | | P S | K I T | Description | Dénomination | Bezeichnung | Denominación | Benämning | Notes |
|------|--------------|----------|---|---|--------|-------------|-----------------------|-------------------------------|------------------------|--------------------------|-----------------------|-------|
| | | 1 | 2 | 3 | | | | | | | | |
| | VOE 11107710 | 1 | | | | | Hydr Cylinder | Verin Hydraul. | Hydraulzylinder | Cilindro Hidrau | Hydraulcylinder..... | |
| 1 | VOE 11015750 | 1 | | | | | •Bushing | •Bague | •Buchse | •Casquillo | •Bussning..... | |
| 2 | VOE 11005015 | 2 | | | K | | •Scraper | •Racleur | •Abstreifring..... | •Aro rascador | •Avstrykare..... | |
| 3 | VOE 11107296 | 1 | | | | | •Piston rod | •Bielle de piston | •Kolbenstange | •Biela de piston | •Kolvstång..... | |
| 4 | VOE 11005057 | 1 | | | K | | •Scraper | •Racleur | •Abstreifring..... | •Aro rascador | •Avstrykare..... | |
| 5 | VOE 4784048 | 1 | | | K | | •Piston Rod Seal..... | •Eta.tige Piston..... | •Ko-stang Dichtg | •Reten Var Pist..... | •Kolvstångståtn..... | |
| 6 | VOE 11088082 | 1 | | | K | | •Piston Rod Seal..... | •Eta.tige Piston..... | •Ko-stang Dichtg | •Reten Var Pist..... | •Kolvstångståtn..... | |
| 7 | VOE 11043006 | 1 | | | K | | •Back-up ring | •Bague support | •Stützring | •Anillo apoyo | •Stödring | |
| 8 | VOE 925083 | 1 | | | K | | •O-ring..... | •Joint Torique | •O-Ring..... | •Junta torica | •O-ring..... | |
| 9 | VOE 11088054 | 1 | | | | | •Bushing | •Bague | •Buchse | •Casquillo | •Bussning..... | |
| 10 | VOE 11107454 | 1 | | | | | •Pstn Rod Guide | •Gui.tige Piston | •Ko-stang Fuhrg | •Guia Var Piston | •Kolvst.styrning..... | |
| 11 | VOE 11088600 | 2 | | | K | | •Back-up ring | •Rondelle anti-extrusi | •Stützring | •Anillo Apoyo | •Stödring | |
| 12 | VOE 925093 | 1 | | | K | | •O-ring..... | •Joint Torique | •O-Ring..... | •Junta torica | •O-ring..... | |
| 13 | VOE 11107032 | 1 | | | K | | •Piston seal | •Etanchei.piston | •Kolbendichtung | •Reten piston | •Kolv tätning..... | |
| 14 | VOE 11107298 | 1 | | | | | •Guide Ring..... | •Bague Guide..... | •Führungsring..... | •Anillo Guia..... | •Styrning..... | |
| 15 | VOE 11107295 | 1 | | | | | •Piston..... | •Piston | •Kolben..... | •Piston | •Kolv..... | |
| 16 | VOE 941908 | 12 | | | | | •Spring Washer | •Rondelle élastique | •Federscheibe | •Arandela flexible | •Fjäderbricka..... | |
| 17 | VOE 4782857 | 12 | | | | | •Screw..... | •Vis | •Schraube..... | •Tomillo | •Skruv..... | |
| 18 | VOE 11107294 | 1 | | | | | •Lock brace | •Etrier de verrouillage | •Sperrklinke | •Brazo Seguridad | •Låsbygel..... | |
| 19 | VOE 13945653 | 2 | | | | | •Plane Gasket | •Joint Plan | •Flachdichtung..... | •Junta Plana | •Planpackning..... | |
| 20 | VOE 960630 | 2 | | | | | •Lock Plug..... | •Tampon Verroui. | •Verschlusschraube.. | •Tapon Seguridad | •Låsplugg..... | |
| | VOE 11709829 | 1 | | | | | Sealing Kit..... | Jeu Joints | Dichtungssatz..... | Juego Retenes | Tätningssats..... | |

| | | | | |
|---|--|---|-----------------------|------------|
| 1 | | Hydraulcylinder, lyft. Cilindro hidráulico, elevac. Hubzylinder. Cylindre hydraulique, levage. Hydraulic cylinder, lifting. STD, OPEN ROPS | Catalogue id | Group |
| 2 | | | 20007 | 945 |
| 3 | | | Illustr. No | Section |
| 4 | | | 1003916 | 500 |
| 5 | | | Issue | Page |
| | | | VOE 63D9920007 | 905 |

VOLVO

L90E



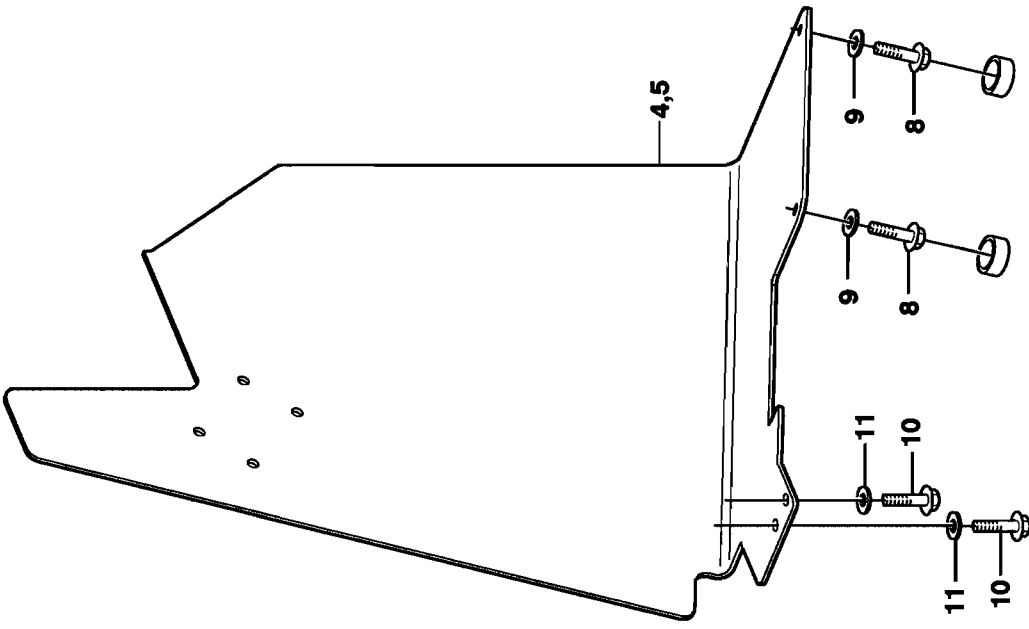
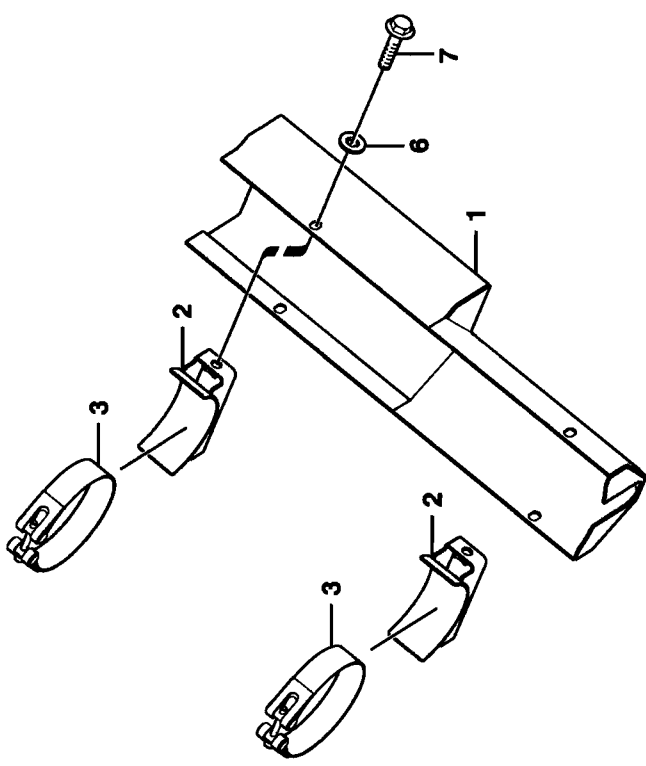
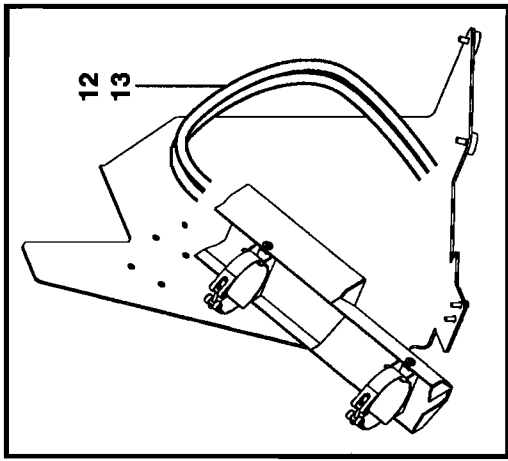
Volvo Construction
Equipment
1003942

| Fig. | Part No. | Quantity | | | P S | K T | Description | Dénomination | Bezeichnung | Denominación | Benämning | Notes |
|------|--------------|----------|---|---|--------|--------|-----------------------|-------------------------------|------------------------|--------------------------|-----------------------|-------|
| | | 1 | 2 | 3 | | | | | | | | |
| | VOE 11107299 | 1 | | | | | Hydr Cylinder | Verin Hydraul. | Hydraulzylinder | Cilindro Hidrau | Hydraulcylinder..... | |
| 1 | VOE 11015748 | 2 | | | | | •Bushing | •Bague | •Buchse | •Casquillo | •Bussning..... | |
| 2 | VOE 11005017 | 4 | | | K | | •Scraper | •Racleur | •Abstreifring..... | •Aro rascador | •Avstrykare..... | |
| 3 | VOE 11107301 | 1 | | | | | •Piston rod | •Bielle de piston | •Kolbenstange | •Biela de piston | •Kolvstång..... | |
| 4 | VOE 11005061 | 1 | | | K | | •Scraper | •Racleur | •Abstreifring..... | •Aro rascador | •Avstrykare..... | |
| 5 | VOE 11005107 | 1 | | | K | | •Piston Rod Seal..... | •Eta.tige Piston..... | •Ko-stang Dichtg | •Reten Var Pist..... | •Kolvstångstätt..... | |
| 6 | VOE 11005430 | 1 | | | K | | •Piston Rod Seal..... | •Eta.tige Piston..... | •Ko-stang Dichtg | •Reten Var Pist..... | •Kolvstångstätt..... | |
| 7 | VOE 11107203 | 1 | | | K | | •Back-up ring | •Rondelle anti-extrusi | •Stützring..... | •Anillo Apoyo | •Stödtring..... | |
| 8 | VOE 962501 | 1 | | | K | | •O-ring..... | •Joint Torique | •O-Ring..... | •Junta torica | •O-ring..... | |
| 9 | VOE 11005427 | 1 | | | | | •Bushing | •Bague | •Buchse | •Casquillo | •Bussning..... | |
| 10 | VOE 11107453 | 1 | | | | | •Pstn Rod Guide | •Gui.tige Piston | •Ko-stang Fuhrg | •Guia Var Piston..... | •Kolvst.styrning..... | |
| 11 | VOE 11107170 | 1 | | | K | | •O-ring..... | •Joint Torique | •O-Ring..... | •Junta torica | •O-ring..... | |
| 12 | VOE 11107202 | 1 | | | K | | •Piston seal | •Etanchei.piston | •Kolbendichtung | •Reten piston | •Kolvtätning..... | |
| 13 | VOE 11107217 | 1 | | | | | •Guide Ring..... | •Bague Guide..... | •Führungsring..... | •Anillo Guia..... | •Styrning..... | |
| 14 | VOE 11107432 | 1 | | | | | •Piston..... | •Piston..... | •Kolben..... | •Piston | •Kolv..... | |
| 15 | VOE 941912 | 15 | | | | | •Spring Washer..... | •Rondelle élastique | •Federscheibe | •Arandela flexible | •Fjäderbricka..... | |
| 16 | VOE 4782860 | 15 | | | | | •Screw..... | •Vis..... | •Schraube..... | •Tornillo | •Skruv..... | |
| 17 | VOE 11107268 | 1 | | | | | •Lock brace | •Etrier de verrouillage | •Sperrklinke..... | •Brazo Seguridad | •Låsbygel..... | |
| | VOE 11709832 | 1 | | | | | Sealing Kit..... | Jeu Joints..... | Dichtungssatz..... | Juego Retenes | Tätningssats..... | |

| | | | | |
|---|--|--|-----------------------|------------|
| 1 | | Hydraulcylinder, tilt Cilindro hidráulico, volquet Schwenkzylinder Cylindre hydraulique, cavage Hydraulic cylinder, tilt STD, OPEN ROPS | Catalogue id | Group |
| 2 | | | 20007 | 945 |
| 3 | | | Illustr. No | Section |
| 4 | | | 1003942 | 550 |
| 5 | | | Issue | Page |
| | | | VOE 63D9920007 | 907 |

VOLVO

L90E



Volvo Construction
 Equipment
1007351

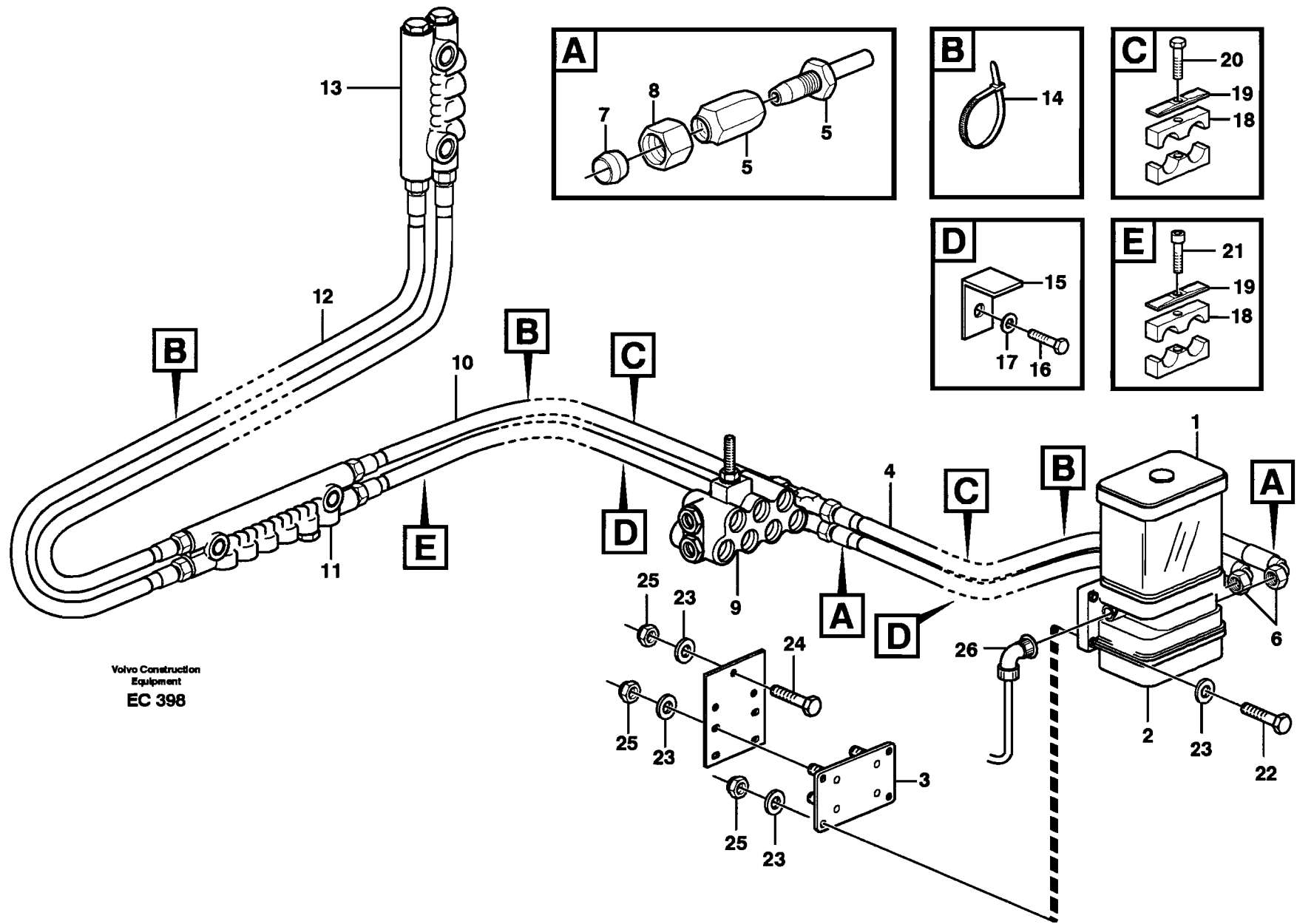


| Fig. | Part No. | Quantity | | | P S | K T | Description | Dénomination | Bezeichnung | Denominación | Benämning | Notes |
|------|--------------|----------|---|---|--------|----------------------|--------------------|---------------------|--------------------|-----------------|------------|-------|
| | | 1 | 2 | 3 | | | | | | | | |
| 1 | VOE 11180565 | 2 | | | | Guard | Protection | Schutz | Protección | Skydd..... | | |
| 2 | VOE 11180568 | 4 | | | | Bracket..... | Console..... | Konsole | Ménsula..... | Konsol..... | | |
| 3 | VOE 11180572 | 4 | | | | Tensioning Band..... | Ruban Serrage..... | Spannband..... | Cinta Tensora..... | Spännband..... | | |
| 4 | VOE 11180573 | 1 | | | | Guard | Protection | Schutz | Protección | Skydd..... | RH | |
| 5 | VOE 11180574 | 1 | | | | Guard | Protection | Schutz | Protección | Skydd..... | LH | |
| 6 | VOE 960148 | 8 | | | | Washer..... | Rondelle..... | Scheibe | Arandela..... | Bricka..... | | |
| 7 | VOE 946441 | 8 | | | | Flange screw..... | Vis à bride..... | Flanschschaube..... | Tom embridado..... | Flänsskruv..... | | |
| 8 | VOE 13965191 | 4 | | | | Flange screw..... | Vis à bride..... | Flanschschaube..... | Tom embridado..... | Flänsskruv..... | | |
| 9 | VOE 13960145 | 4 | | | | Washer..... | Rondelle..... | Scheibe | Arandela..... | Bricka..... | | |
| 10 | VOE 946472 | 4 | | | | Flange screw..... | Vis à bride..... | Flanschschaube..... | Tom embridado..... | Flänsskruv..... | | |
| 11 | VOE 13960143 | 4 | | | | Washer..... | Rondelle..... | Scheibe | Arandela..... | Bricka..... | | |
| 12 | VOE 11410313 | 2 | | | | Hose..... | Durit | Schlauch | Tubo flexible..... | Slang..... | L = 1130MM | |
| 13 | VOE 11410312 | 2 | | | | Hose..... | Durit | Schlauch | Tubo flexible..... | Slang..... | L = 1940MM | |

| | | | | |
|---|-------|--|-----------------------|------------|
| 1 | | Slangskydd, lyftcylinder Protección de manguera, cilindro de elevación Schlauchschutz, Hubzylinder Protection de flexible, vérin de levage Hose protection, lift cylinder | Catalogue id | Group |
| 2 | | | 20007 | 945 |
| 3 | | | Illustr. No | Section |
| 4 | | | 1007351 | 700 |
| 5 | | | Issue | Page |
| | 82216 | | VOE 63D9920007 | 909 |

VOLVO

L90E



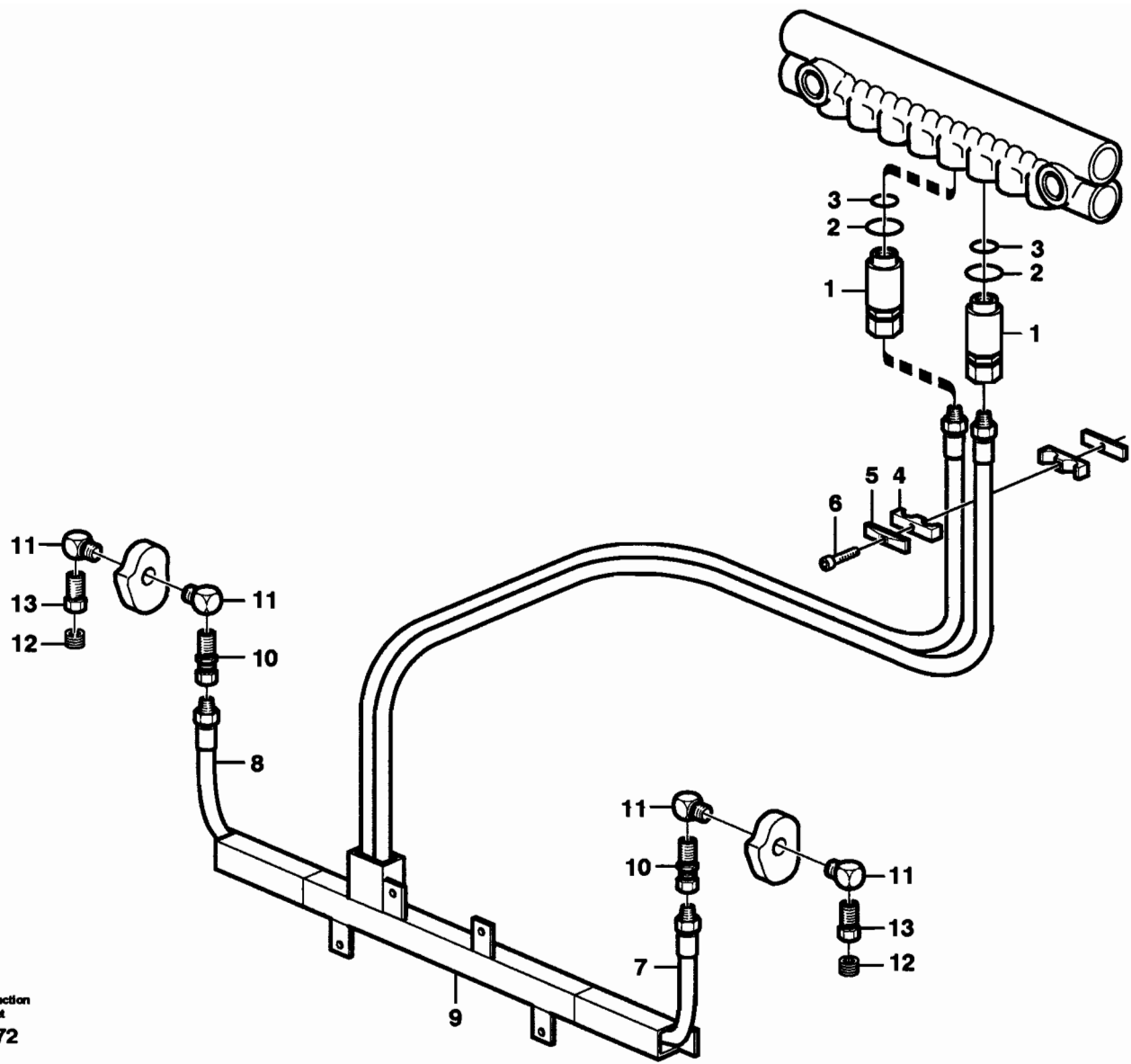
Volvo Construction
Equipment
EC 398

| Fig. | Part No. | Quantity | | | P S | K I T | Description | Dénomination | Bezeichnung | Denominación | Benämning | Notes |
|------|--------------|----------|---|---|--------|---------------------------|--------------------------|-----------------------|--------------------------|----------------------|-------------------------|-------|
| | | 1 | 2 | 3 | | | | | | | | |
| 1 | | 1 | | | | Ctl Lubrication | Graissage Cent. | Zentr Schmierg..... | Lubric Central | Centralsmörjn..... | CPL | |
| 2 | VOE 11707439 | 1 | | | | •Pump | •Pompe | •Pumpe..... | •Bomba..... | •Pump..... | | |
| 3 | | 1 | | | SE | •Bracket | •Console..... | •Konsole | •Ménsula | •Konsol..... | | |
| 4 | VOE 11702806 | 2 | | | | •Hose | •Durit | •Schlauch | •Tubo flexible..... | •Slang..... | L = 2 x 2800 MM | |
| 5 | VOE 11702809 | 1 | | | | •Fitting..... | •Raccord tuyau | •Rohrkupplung | •Acoplamiento Tubo.. | •Rörkoppling..... | | |
| 6 | VOE 11702811 | 1 | | | | •L-connection..... | •Racco.angulaire..... | •Winkelankupplg | •Conexion Angul | •Vinkelkoppling..... | | |
| 7 | VOE 11704713 | 1 | | | | •Ferrule | •Bague Surete..... | •Schneidring..... | •Anillo Acoplam | •Skärring..... | | |
| 8 | VOE 11704714 | 1 | | | | •Nut..... | •Ecrou | •Mutter | •Tuerca..... | •Mutter..... | | |
| 9 | | 1 | | | NS | •Distribution block | •Distributeur | •Verteilerblock | •Bloque distribución.... | •Fördelarblock..... | B1 | |
| 10 | VOE 11707370 | 2 | | | | •Lub Hose | •Durit Graissage..... | •Schmierschlauch..... | •Mang Lubricac | •Smörj slang..... | | |
| 11 | | 1 | | | NS | •Distribution block | •Distributeur | •Verteilerblock | •Bloque distribución.... | •Fördelarblock..... | B2 | |
| 12 | VOE 11707371 | 2 | | | | •Lub Hose | •Durit Graissage..... | •Schmierschlauch..... | •Mang Lubricac | •Smörj slang..... | | |
| 13 | | 1 | | | NS | •Distribution block | •Distributeur | •Verteilerblock | •Bloque distribución.... | •Fördelarblock..... | B3 | |
| 14 | VOE 4881440 | 12 | | | | •Strip Clamp | •Ruban Serrage | •Kabelbinder..... | •Abraz Cinta | •Bandklamma..... | | |
| 15 | VOE 11707384 | 2 | | | | •Anchorage | •Fixation | •Halterung | •Fijacion..... | •Fäste..... | | |
| 16 | VOE 13970944 | 2 | | | | •Hexagon screw..... | •Vis a tête hexagonal .. | •Sechskantschr. | •Tornillo hexago | •Sexkantsskruv..... | | |
| 17 | VOE 955895 | 2 | | | | •Washer | •Rondelle..... | •Scheibe | •Arandela..... | •Bricka..... | | |
| 18 | VOE 11701854 | 3 | | | | •Clamp | •Pince Serrage | •Klemme..... | •Abrazadera | •Klämma..... | | |
| 19 | VOE 11707381 | 3 | | | | •Cover Plate | •Protection en tole..... | •Schutzblech | •Placa Tapa..... | •Täckplatta..... | | |
| 20 | VOE 13959209 | 2 | | | | •Screw..... | •Vis..... | •Schraube..... | •Tornillo | •Skruv..... | | |
| 21 | VOE 959208 | 1 | | | | •Allen Hd Screw | •Vis A 6 Pans Cr | •Inbusschraube | •Torn Hex Embut..... | •Insexskruv..... | | |
| 22 | VOE 13965179 | 4 | | | | •Flange screw | •Vis à bride..... | •Flanschschrabe..... | •Torn embridado..... | •Flänsskruv..... | | |
| 23 | VOE 13960141 | 7 | | | | •Washer | •Rondelle..... | •Scheibe | •Arandela..... | •Bricka..... | | |
| 24 | VOE 946671 | 3 | | | | •Flange screw | •Vis à bride..... | •Flanschschrabe..... | •Torn embridado..... | •Flänsskruv..... | | |
| 25 | VOE 948645 | 7 | | | | •Flange Lock Nut | •Contre écrou bride.... | •Flanscmutter | •Contratuer Embr | •Flänslåsmutter..... | | |
| 26 | | 1 | | | | •Wire harness | •Faisceau cables..... | •Kabelbaum..... | •Manojo cables..... | •Ledningsmatta..... | See group 371, Page 277 | |

| | | | | |
|---|--|---|-----------------------|------------|
| 1 | | Centralsmörjning Lubricacion central Zentralschmierung Graissage central Central lubrication | Catalogue id | Group |
| 2 | | | 20007 | 993 |
| 3 | | | Illustr. No | Section |
| 4 | | | EC398 | 100 |
| 5 | | | Issue | Page |
| | | 82377 | VOE 63D9920007 | 911 |

VOLVO

L90E



Volvo Construction
Equipment
1005272



| Fig. | Part No. | Quantity | | | P S | K I T | Description | Dénomination | Bezeichnung | Denominación | Benämning | Notes |
|------|--------------|----------|---|---|--------|-------------|---------------------------|--------------------------|-------------------------|---------------------------|-----------------------|-------|
| | | 1 | 2 | 3 | | | | | | | | |
| | | 1 | | | | NS | Central lubrication | Graissage central | Zentralschmierung | Lubricacion central | Centralsmörjning..... | |
| 1 | VOE 11702155 | 2 | | | | | Dosage Valve..... | Valve Dosage..... | Dosierventil | Valvula Dosific..... | Doseringsventil..... | NO.8 |
| 2 | VOE 981289 | 2 | | | | | •O-ring..... | •Joint Torique..... | •O-Ring..... | •Junta torica | •O-ring..... | |
| 3 | VOE 11705432 | 2 | | | | | •O-ring..... | •Joint Torique..... | •O-Ring..... | •Junta torica | •O-ring..... | |
| 4 | VOE 11701854 | 1 | | | | | Clamp..... | Pince Serrage | Klemme | Abrazadera..... | Klämma..... | |
| 5 | VOE 11707381 | 1 | | | | | Cover Plate | Protection en tole | Schutzblech..... | Placa Tapa | Täckplatta..... | |
| 6 | VOE 959208 | 1 | | | | | Allen Hd Screw | Vis A 6 Pans Cr..... | Inbusschraube..... | Torn Hex Embut | Insexskruv..... | |
| 7 | VOE 11176847 | 1 | | | | | Hose..... | Durit | Schlauch | Tubo flexible..... | Slang..... | |
| 8 | VOE 11707375 | 1 | | | | | Lub Hose..... | Durit Graissage | Schmierschlauch..... | Mang Lubricac..... | Smörjslang..... | |
| 9 | VOE 11709961 | 1 | | | | | Attachment..... | Fixation | Halterung..... | Fijacion | Fäste..... | |
| 10 | VOE 11701843 | 2 | | | | | Connector | Raccord..... | Anschluss..... | Union | Anslutning..... | |
| 11 | VOE 11701845 | 4 | | | | | Connector | Raccord..... | Anschluss..... | Union | Anslutning..... | |
| 12 | VOE 11701827 | 2 | | | | | Plug..... | Bouchon..... | Stopfen..... | Tapon | Plugg..... | |
| 13 | VOE 11701838 | 2 | | | | | Adapter | Raccord Reduct. | Verbind Stutzen..... | Adaptador..... | Adapter..... | |

| | | | |
|---|--|-----------------------|------------|
| 1 | Centralsmörjning,redskapsfäste Lubricación central Fijacion herramientas Zentralschmierung,geräteträger Graissage central,fixation outil Central lubrication,tool bar | Catalogue id | Group |
| 2 | | 20007 | 993 |
| 3 | | Illustr. No | Section |
| 4 | | 1005272 | 450 |
| 5 | | Issue | Page |
| | 82355 | VOE 63D9920007 | 913 |

VOLVO

L90E

| REPLACED PARTS | | | PIEZAS SUBSTITUDAS | | | Catalogue id 20007 | | Group 1000 | | | |
|-------------------------------|--------------|----------|--------------------|--------------|----------|--------------------------------|-------------|----------------------|---------|-------------|----------|
| PIÉCES PÉRIMÉES ET REMPLACÉES | | | ERSATTA ARTIKLAR | | | Issue VOE 63D9920007 | | Page 1 | | | |
| ERSETZTE ARTIKEL | | | | | | | | | | | |
| Part No | Replaced by | Quantity | Part No | Replaced by | Quantity | Part No | Replaced by | Quantity | Part No | Replaced by | Quantity |
| VOE 11006235 | *** USE | | VOE 3161983 | *** USE | | | | | | | |
| | VOE 11164645 | 1.00 | | VOE 20577135 | 1.00 | | | | | | |
| VOE 11039291 | *** USE | | | VOE 11713259 | 1.00 | | | | | | |
| | VOE 11170098 | 1.00 | VOE 4898495 | *** USE | | | | | | | |
| VOE 11039776 | *** USE | | | VOE 11004094 | 1.00 | | | | | | |
| | VOE 11170086 | 1.00 | VOE 4932797 | *** USE | | | | | | | |
| VOE 11055037 | *** USE | | | VOE 11003865 | 1.00 | | | | | | |
| | VOE 11003865 | 1.00 | VOE 4932840 | *** USE | | | | | | | |
| VOE 11104607 | *** USE | | | VOE 11003865 | 1.00 | | | | | | |
| | VOE 11164585 | 1.00 | VOE 4935704 | *** USE | | | | | | | |
| VOE 11170070 | *** USE | | | VOE 11003865 | 1.00 | | | | | | |
| | VOE 14514356 | 1.00 | VOE 4948092 | *** USE | | | | | | | |
| VOE 11172781 | *** USE | | | VOE 11003865 | 1.00 | | | | | | |
| | VOE 11410211 | 1.00 | VOE 4948103 | *** USE | | | | | | | |
| VOE 11700522 | *** USE | | | VOE 11003865 | 1.00 | | | | | | |
| | VOE 20412325 | 1.00 | VOE 4952167 | *** USE | | | | | | | |
| VOE 11988218 | *** USE | | | VOE 11004094 | 1.00 | | | | | | |
| | VOE 11713057 | 1.00 | VOE 4952173 | *** USE | | | | | | | |
| VOE 11996195 | *** USE | | | VOE 11003865 | 1.00 | | | | | | |
| | VOE 11996194 | 1.00 | VOE 7190339 | *** USE | | | | | | | |
| VOE 20455097 | *** USE | | | VOE 190339 | 1.00 | | | | | | |
| | VOE 971304 | 2.00 | VOE 947760 | *** USE | | | | | | | |
| | VOE 13965483 | 2.00 | | FÖR VOLVO BM | | | | | | | |
| | VOE 20555710 | 1.00 | | VOE 13947760 | 1.00 | | | | | | |
| | VOE 24425174 | 1.00 | | FÖR MICHIGAN | | | | | | | |
| | VOE 11193752 | 1.00 | | VOE 12000579 | NS | | | | | | |
| | VOE 969147 | 2.00 | VOE 955900 | *** USE | | | | | | | |
| VOE 20459252 | *** USE | | | FOR VOLVO BM | | | | | | | |
| | VOE 20405626 | 1.00 | | VOE 13955900 | 1.00 | | | | | | |
| VOE 20459843 | *** USE | | | FOR MICHIGAN | | | | | | | |
| | VOE 24426690 | 1.00 | | VOE 12000814 | 1.00 | | | | | | |
| VOE 20459844 | *** USE | | VOE 966813 | *** USE | | | | | | | |
| | VOE 24426691 | 1.00 | | VOE 977329 | 1.00 | | | | | | |
| VOE 20496388 | *** USE | | | | | | | | | | |
| | VOE 20564005 | 1.00 | | | | | | | | | |
| VOE 20502113 | *** USE | | | | | | | | | | |
| | VOE 20574451 | 1.00 | | | | | | | | | |

| Part No | Group | Sect | Page | Part No | Group | Sect | Page | Part No | Group | Sect | Page | Part No | Group | Sect | Page | Part No | Group | Sect | Page |
|-------------|-------|------|------|--------------|-------|------|------|--------------|-------|------|------|--------------|-------|------|------|--------------|-------|------|------|
| 11039454 | 380 | 200 | 361 | VOE 1096618 | 379 | 900 | 347 | VOE 11004094 | 897 | 100 | 779 | VOE 11006034 | 882 | 150 | 757 | VOE 11006235 | 641 | 150 | 531 |
| 11164872 | 881 | 150 | 751 | VOE 1096619 | 371 | 250 | 209 | VOE 11004094 | 897 | 300 | 783 | VOE 11006035 | 882 | 150 | 757 | VOE 11006248 | 525 | 100 | 515 |
| 20518299 | 262 | 100 | 119 | VOE 1096619 | 371 | 300 | 215 | VOE 11004094 | 924 | 200 | 873 | VOE 11006036 | 882 | 150 | 757 | VOE 11006249 | 874 | 250 | 741 |
| 3943201 | 371 | 650 | 243 | VOE 1096619 | 371 | 400 | 223 | VOE 11004157 | 882 | 550 | 765 | VOE 11006043 | 914 | 400 | 845 | VOE 11006293 | 810 | 150 | 615 |
| 3987768 | 371 | 650 | 247 | VOE 1096619 | 371 | 500 | 229 | VOE 11004396 | 945 | 200 | 885 | VOE 11006044 | 852 | 100 | 691 | VOE 11006296 | 882 | 600 | 769 |
| VOE 1069507 | 451 | 150 | 455 | VOE 1096619 | 371 | 525 | 233 | VOE 11004943 | 269 | 150 | 137 | VOE 11006044 | 852 | 450 | 707 | VOE 11006297 | 882 | 600 | 769 |
| VOE 1069507 | 451 | 200 | 457 | VOE 1096619 | 371 | 550 | 237 | VOE 11004943 | 269 | 250 | 139 | VOE 11006059 | 882 | 500 | 763 | VOE 11006299 | 914 | 350 | 843 |
| VOE 1069507 | 451 | 250 | 459 | VOE 1096619 | 371 | 650 | 243 | VOE 11005014 | 945 | 150 | 883 | VOE 11006061 | 641 | 100 | 529 | VOE 11006308 | 865 | 100 | 715 |
| VOE 1069849 | 461 | 150 | 469 | VOE 1096619 | 371 | 700 | 249 | VOE 11005014 | 945 | 200 | 885 | VOE 11006074 | 363 | 150 | 195 | VOE 11006414 | 818 | 100 | 621 |
| VOE 1083597 | 393 | 100 | 377 | VOE 1096619 | 371 | 950 | 263 | VOE 11005015 | 945 | 150 | 883 | VOE 11006076 | 882 | 550 | 767 | VOE 11006420 | 841 | 100 | 677 |
| VOE 1089953 | 380 | 100 | 351 | VOE 1096619 | 371 | 1000 | 267 | VOE 11005015 | 945 | 200 | 885 | VOE 11006079 | 393 | 100 | 377 | VOE 11006421 | 841 | 100 | 677 |
| VOE 1089953 | 380 | 125 | 355 | VOE 1096619 | 371 | 1500 | 285 | VOE 11005015 | 945 | 500 | 905 | VOE 11006081 | 865 | 100 | 715 | VOE 11006430 | 525 | 100 | 515 |
| VOE 1095059 | 371 | 250 | 211 | VOE 1096619 | 371 | 1600 | 287 | VOE 11005017 | 945 | 150 | 883 | VOE 11006082 | 865 | 100 | 715 | VOE 11006435 | 874 | 200 | 737 |
| VOE 1095059 | 371 | 300 | 217 | VOE 1096619 | 372 | 200 | 301 | VOE 11005017 | 945 | 200 | 885 | VOE 11006083 | 865 | 100 | 715 | VOE 11006457 | 841 | 100 | 677 |
| VOE 1095059 | 371 | 800 | 255 | VOE 1096619 | 379 | 900 | 347 | VOE 11005017 | 945 | 250 | 889 | VOE 11006084 | 865 | 100 | 715 | VOE 11006457 | 841 | 100 | 679 |
| VOE 1095059 | 371 | 1100 | 275 | VOE 11000054 | 771 | 100 | 599 | VOE 11005017 | 945 | 550 | 907 | VOE 11006085 | 865 | 100 | 715 | VOE 11006478 | 843 | 100 | 681 |
| VOE 1095059 | 371 | 1200 | 279 | VOE 11000257 | 371 | 500 | 231 | VOE 11005053 | 645 | 200 | 545 | VOE 11006088 | 641 | 100 | 529 | VOE 11006490 | 874 | 300 | 745 |
| VOE 1095059 | 371 | 1700 | 293 | VOE 11000257 | 371 | 525 | 235 | VOE 11005057 | 945 | 500 | 905 | VOE 11006103 | 872 | 125 | 721 | VOE 11006554 | 641 | 100 | 529 |
| VOE 1095059 | 379 | 150 | 313 | VOE 11000257 | 379 | 800 | 341 | VOE 11005061 | 945 | 550 | 907 | VOE 11006104 | 393 | 100 | 377 | VOE 11006631 | 873 | 150 | 731 |
| VOE 1095059 | 379 | 900 | 347 | VOE 11000286 | 321 | 150 | 161 | VOE 11005099 | 945 | 250 | 889 | VOE 11006119 | 881 | 200 | 753 | VOE 11006632 | 873 | 150 | 731 |
| VOE 1096614 | 371 | 550 | 239 | VOE 11003048 | 223 | 150 | 79 | VOE 11005107 | 945 | 550 | 907 | VOE 11006120 | 881 | 200 | 753 | VOE 11006633 | 873 | 150 | 731 |
| VOE 1096614 | 372 | 200 | 301 | VOE 11003048 | 841 | 100 | 679 | VOE 11005427 | 945 | 550 | 907 | VOE 11006129 | 852 | 400 | 705 | VOE 11006635 | 872 | 125 | 719 |
| VOE 1096614 | 379 | 900 | 347 | VOE 11003048 | 924 | 100 | 867 | VOE 11005430 | 945 | 550 | 907 | VOE 11006132 | 852 | 400 | 705 | VOE 11006638 | 872 | 125 | 719 |
| VOE 1096615 | 371 | 500 | 229 | VOE 11003050 | 911 | 500 | 815 | VOE 11005777 | 371 | 600 | 241 | VOE 11006133 | 852 | 400 | 705 | VOE 11006706 | 831 | 100 | 669 |
| VOE 1096615 | 371 | 525 | 233 | VOE 11003153 | 386 | 100 | 367 | VOE 11005777 | 851 | 100 | 687 | VOE 11006134 | 852 | 400 | 705 | VOE 11006706 | 843 | 200 | 685 |
| VOE 1096615 | 371 | 600 | 241 | VOE 11003153 | 914 | 250 | 839 | VOE 11005777 | 851 | 150 | 689 | VOE 11006145 | 380 | 150 | 359 | VOE 11006711 | 641 | 100 | 529 |
| VOE 1096615 | 371 | 850 | 257 | VOE 11003221 | 371 | 350 | 221 | VOE 11005777 | 882 | 100 | 755 | VOE 11006157 | 872 | 125 | 719 | VOE 11006712 | 641 | 100 | 529 |
| VOE 1096615 | 371 | 875 | 259 | VOE 11003291 | 874 | 250 | 741 | VOE 11005913 | 371 | 1650 | 289 | VOE 11006159 | 810 | 150 | 615 | VOE 11006726 | 851 | 100 | 687 |
| VOE 1096615 | 371 | 1400 | 281 | VOE 11003417 | 914 | 250 | 839 | VOE 11005938 | 818 | 100 | 621 | VOE 11006159 | 810 | 200 | 619 | VOE 11006726 | 882 | 100 | 755 |
| VOE 1096615 | 371 | 1500 | 285 | VOE 11003499 | 715 | 300 | 589 | VOE 11005939 | 818 | 100 | 621 | VOE 11006162 | 810 | 150 | 615 | VOE 11006738 | 831 | 150 | 671 |
| VOE 1096615 | 372 | 200 | 301 | VOE 11003679 | 882 | 550 | 767 | VOE 11005947 | 831 | 100 | 669 | VOE 11006225 | 371 | 850 | 257 | VOE 11006785 | 810 | 200 | 619 |
| VOE 1096615 | 379 | 900 | 347 | VOE 11003865 | 897 | 100 | 779 | VOE 11005984 | 841 | 100 | 677 | VOE 11006225 | 371 | 875 | 259 | VOE 11006785 | 851 | 100 | 687 |
| VOE 1096615 | 882 | 600 | 769 | VOE 11003865 | 897 | 300 | 783 | VOE 11005990 | 525 | 100 | 515 | VOE 11006225 | 882 | 300 | 761 | VOE 11006785 | 881 | 150 | 751 |
| VOE 1096618 | 371 | 500 | 231 | VOE 11003865 | 916 | 100 | 859 | VOE 11005998 | 641 | 100 | 529 | VOE 11006226 | 371 | 850 | 257 | VOE 11006795 | 851 | 100 | 687 |
| VOE 1096618 | 371 | 550 | 239 | VOE 11003865 | 924 | 200 | 873 | VOE 11006029 | 841 | 100 | 677 | VOE 11006229 | 371 | 600 | 241 | VOE 11006796 | 851 | 100 | 687 |

| | | | |
|--|-------------------------|------------------------------|----------------------|
| NUMERICAL INDEX RÉPERTOIRE DE NUMÉROS NUMMERNREGISTER | INDICE DE NÚMERO | Catalogue id 20007 | Group 1000 |
| | NUMMERREGISTER | Issue | Page |
| | | VOE 63D9920007 | 1 |

| Part No | Group | Sect | Page | Part No | Group | Sect | Page | Part No | Group | Sect | Page | Part No | Group | Sect | Page | Part No | Group | Sect | Page |
|--------------|-------|------|------|--------------|-------|------|------|--------------|-------|------|------|--------------|-------|------|------|--------------|-------|------|------|
| VOE 11025816 | 945 | 300 | 893 | VOE 11034256 | 463 | 100 | 475 | VOE 11035366 | 517 | 100 | 501 | VOE 11037183 | 421 | 300 | 425 | VOE 11037827 | 421 | 300 | 425 |
| VOE 11025816 | 945 | 350 | 897 | VOE 11034319 | 463 | 150 | 477 | VOE 11035450 | 461 | 100 | 465 | VOE 11037186 | 421 | 200 | 413 | VOE 11037861 | 434 | 150 | 445 |
| VOE 11025923 | 218 | 100 | 69 | VOE 11034320 | 463 | 150 | 477 | VOE 11035523 | 463 | 250 | 481 | VOE 11037189 | 421 | 250 | 419 | VOE 11037862 | 434 | 150 | 445 |
| VOE 11025923 | 911 | 550 | 817 | VOE 11034321 | 463 | 150 | 477 | VOE 11035528 | 517 | 100 | 501 | VOE 11037189 | 421 | 300 | 423 | VOE 11037868 | 421 | 150 | 411 |
| VOE 11025923 | 924 | 150 | 869 | VOE 11034507 | 461 | 200 | 473 | VOE 11035554 | 461 | 200 | 473 | VOE 11037195 | 421 | 250 | 419 | VOE 11037887 | 421 | 250 | 421 |
| VOE 11025923 | 945 | 150 | 883 | VOE 11034507 | 463 | 250 | 481 | VOE 11035554 | 463 | 250 | 481 | VOE 11037195 | 421 | 300 | 423 | VOE 11037894 | 421 | 550 | 439 |
| VOE 11025923 | 945 | 200 | 885 | VOE 11034512 | 461 | 200 | 473 | VOE 11035586 | 463 | 100 | 475 | VOE 11037243 | 434 | 200 | 447 | VOE 11038368 | 434 | 200 | 449 |
| VOE 11025923 | 945 | 250 | 889 | VOE 11034512 | 463 | 250 | 481 | VOE 11035625 | 463 | 150 | 477 | VOE 11037244 | 434 | 200 | 447 | VOE 11038369 | 434 | 200 | 449 |
| VOE 11025923 | 945 | 300 | 893 | VOE 11034513 | 461 | 200 | 473 | VOE 11035637 | 517 | 100 | 501 | VOE 11037246 | 434 | 200 | 447 | VOE 11038380 | 913 | 100 | 825 |
| VOE 11025923 | 945 | 350 | 897 | VOE 11034513 | 463 | 250 | 481 | VOE 11035816 | 463 | 250 | 481 | VOE 11037251 | 421 | 450 | 433 | VOE 11038393 | 421 | 200 | 413 |
| VOE 11025954 | 914 | 200 | 837 | VOE 11034514 | 461 | 200 | 473 | VOE 11035817 | 463 | 250 | 481 | VOE 11037252 | 421 | 450 | 433 | VOE 11038395 | 421 | 200 | 413 |
| VOE 11026072 | 897 | 300 | 783 | VOE 11034514 | 463 | 250 | 481 | VOE 11035819 | 461 | 200 | 473 | VOE 11037272 | 421 | 300 | 423 | VOE 11039005 | 379 | 150 | 315 |
| VOE 11026256 | 911 | 100 | 793 | VOE 11034695 | 461 | 150 | 469 | VOE 11035850 | 463 | 150 | 477 | VOE 11037273 | 421 | 100 | 409 | VOE 11039050 | 379 | 150 | 313 |
| VOE 11026287 | 896 | 150 | 775 | VOE 11034696 | 461 | 150 | 469 | VOE 11035994 | 461 | 150 | 469 | VOE 11037443 | 421 | 550 | 439 | VOE 11039099 | 371 | 950 | 263 |
| VOE 11026615 | 911 | 100 | 793 | VOE 11034697 | 461 | 150 | 469 | VOE 11035998 | 463 | 150 | 477 | VOE 11037479 | 421 | 100 | 409 | VOE 11039099 | 371 | 1000 | 267 |
| VOE 11026729 | 897 | 100 | 779 | VOE 11034828 | 461 | 150 | 469 | VOE 11036049 | 421 | 450 | 433 | VOE 11037581 | 434 | 150 | 445 | VOE 11039099 | 379 | 150 | 313 |
| VOE 11026729 | 897 | 300 | 783 | VOE 11034828 | 463 | 150 | 477 | VOE 11036468 | 421 | 100 | 409 | VOE 11037584 | 421 | 250 | 421 | VOE 11039109 | 379 | 150 | 311 |
| VOE 11026730 | 897 | 100 | 779 | VOE 11034829 | 461 | 150 | 469 | VOE 11036776 | 421 | 200 | 415 | VOE 11037586 | 434 | 200 | 447 | VOE 11039110 | 379 | 150 | 311 |
| VOE 11026730 | 897 | 300 | 783 | VOE 11034829 | 463 | 150 | 477 | VOE 11036777 | 421 | 200 | 415 | VOE 11037606 | 434 | 100 | 441 | VOE 11039117 | 379 | 150 | 313 |
| VOE 11026933 | 911 | 150 | 795 | VOE 11034830 | 461 | 150 | 471 | VOE 11036947 | 421 | 550 | 439 | VOE 11037622 | 421 | 250 | 421 | VOE 11039140 | 380 | 200 | 363 |
| VOE 11026934 | 911 | 150 | 795 | VOE 11034830 | 463 | 150 | 477 | VOE 11037012 | 421 | 400 | 431 | VOE 11037637 | 421 | 250 | 419 | VOE 11039151 | 380 | 200 | 363 |
| VOE 11026989 | 711 | 100 | 579 | VOE 11034831 | 461 | 150 | 471 | VOE 11037019 | 421 | 100 | 409 | VOE 11037637 | 421 | 300 | 423 | VOE 11039154 | 371 | 200 | 207 |
| VOE 11027212 | 945 | 450 | 903 | VOE 11034831 | 463 | 150 | 477 | VOE 11037022 | 434 | 100 | 441 | VOE 11037637 | 421 | 350 | 427 | VOE 11039193 | 261 | 200 | 115 |
| VOE 11027540 | 451 | 100 | 453 | VOE 11034862 | 517 | 100 | 501 | VOE 11037026 | 434 | 150 | 445 | VOE 11037660 | 421 | 100 | 409 | VOE 11039193 | 386 | 150 | 369 |
| VOE 11027566 | 897 | 100 | 779 | VOE 11034981 | 461 | 100 | 465 | VOE 11037027 | 434 | 150 | 445 | VOE 11037677 | 421 | 500 | 435 | VOE 11039193 | 386 | 150 | 371 |
| VOE 11027566 | 897 | 300 | 783 | VOE 11034996 | 516 | 100 | 499 | VOE 11037030 | 434 | 150 | 445 | VOE 11037678 | 421 | 500 | 435 | VOE 11039193 | 421 | 450 | 433 |
| VOE 11031191 | 371 | 650 | 247 | VOE 11035001 | 461 | 200 | 473 | VOE 11037031 | 434 | 150 | 445 | VOE 11037682 | 421 | 100 | 409 | VOE 11039193 | 461 | 100 | 465 |
| VOE 11031769 | 420 | 150 | 393 | VOE 11035031 | 463 | 100 | 475 | VOE 11037038 | 434 | 100 | 441 | VOE 11037689 | 421 | 500 | 435 | VOE 11039193 | 463 | 100 | 475 |
| VOE 11032552 | 873 | 150 | 731 | VOE 11035032 | 463 | 100 | 475 | VOE 11037147 | 421 | 350 | 427 | VOE 11037807 | 421 | 100 | 409 | VOE 11039205 | 380 | 200 | 363 |
| VOE 11033214 | 321 | 100 | 159 | VOE 11035311 | 463 | 150 | 477 | VOE 11037147 | 421 | 350 | 429 | VOE 11037809 | 421 | 100 | 409 | VOE 11039219 | 386 | 150 | 371 |
| VOE 11033572 | 261 | 200 | 113 | VOE 11035345 | 517 | 100 | 501 | VOE 11037179 | 421 | 300 | 423 | VOE 11037814 | 421 | 250 | 419 | VOE 11039219 | 468 | 100 | 483 |
| VOE 11034156 | 421 | 400 | 431 | VOE 11035346 | 517 | 100 | 501 | VOE 11037179 | 421 | 350 | 427 | VOE 11037814 | 421 | 300 | 423 | VOE 11039220 | 380 | 100 | 351 |
| VOE 11034156 | 461 | 100 | 465 | VOE 11035347 | 516 | 100 | 499 | VOE 11037180 | 421 | 100 | 409 | VOE 11037814 | 421 | 350 | 427 | VOE 11039220 | 380 | 125 | 355 |
| VOE 11034156 | 463 | 100 | 475 | VOE 11035348 | 516 | 100 | 499 | VOE 11037181 | 421 | 350 | 429 | VOE 11037816 | 434 | 200 | 449 | VOE 11039224 | 380 | 100 | 351 |
| VOE 11034256 | 461 | 100 | 465 | VOE 11035366 | 516 | 100 | 499 | VOE 11037183 | 421 | 250 | 419 | VOE 11037827 | 421 | 250 | 421 | VOE 11039224 | 380 | 125 | 355 |

NUMERICAL INDEX
RÉPERTOIRE DE NUMÉROS
NUMMERNREGISTER

INDICE DE NÚMERO
NUMMERREGISTER

| | |
|--------------------------------|----------------------|
| Catalogue id 20007 | Group 1000 |
| Issue VOE 63D9920007 | Page 3 |

VOLVO

L90E

| NUMERICAL INDEX | | | | INDICE DE NÚMERO | | | | | | | | Catalogue id | | Group | |
|-----------------------|-------|------|------|------------------|-------|------|------|--------------|-------|------|------|----------------|-------|-------|------|
| RÉPERTOIRE DE NUMÉROS | | | | NUMMERREGISTER | | | | | | | | 20007 | | 1000 | |
| NUMMERNREGISTER | | | | | | | | | | | | Issue | | Page | |
| | | | | | | | | | | | | VOE 63D9920007 | | 4 | |
| Part No | Group | Sect | Page | Part No | Group | Sect | Page | Part No | Group | Sect | Page | Part No | Group | Sect | Page |
| VOE 11039224 | 380 | 150 | 359 | VOE 11039397 | 371 | 1700 | 293 | VOE 11039574 | 386 | 150 | 371 | VOE 11039696 | 371 | 1400 | 281 |
| VOE 11039226 | 380 | 100 | 351 | VOE 11039397 | 379 | 150 | 313 | VOE 11039574 | 421 | 500 | 435 | VOE 11039700 | 371 | 1400 | 281 |
| VOE 11039226 | 831 | 150 | 673 | VOE 11039398 | 371 | 300 | 215 | VOE 11039577 | 386 | 150 | 371 | VOE 11039706 | 380 | 200 | 363 |
| VOE 11039228 | 380 | 100 | 351 | VOE 11039398 | 371 | 400 | 223 | VOE 11039577 | 522 | 300 | 507 | VOE 11039709 | 371 | 300 | 217 |
| VOE 11039228 | 380 | 125 | 355 | VOE 11039398 | 371 | 700 | 249 | VOE 11039581 | 911 | 150 | 797 | VOE 11039709 | 371 | 800 | 255 |
| VOE 11039233 | 363 | 100 | 193 | VOE 11039398 | 379 | 150 | 313 | VOE 11039585 | 380 | 200 | 363 | VOE 11039709 | 371 | 1100 | 275 |
| VOE 11039234 | 363 | 100 | 193 | VOE 11039409 | 380 | 100 | 351 | VOE 11039617 | 386 | 150 | 371 | VOE 11039709 | 379 | 150 | 315 |
| VOE 11039248 | 380 | 100 | 351 | VOE 11039409 | 380 | 125 | 355 | VOE 11039617 | 522 | 300 | 507 | VOE 11039710 | 371 | 250 | 209 |
| VOE 11039248 | 380 | 125 | 355 | VOE 11039439 | 371 | 850 | 257 | VOE 11039658 | 522 | 300 | 507 | VOE 11039710 | 371 | 400 | 223 |
| VOE 11039262 | 371 | 650 | 245 | VOE 11039439 | 882 | 550 | 765 | VOE 11039660 | 372 | 200 | 301 | VOE 11039710 | 371 | 700 | 251 |
| VOE 11039262 | 371 | 700 | 251 | VOE 11039439 | 882 | 600 | 771 | VOE 11039663 | 371 | 300 | 215 | VOE 11039710 | 379 | 150 | 315 |
| VOE 11039262 | 371 | 1000 | 267 | VOE 11039443 | 379 | 900 | 347 | VOE 11039663 | 379 | 150 | 315 | VOE 11039713 | 371 | 250 | 213 |
| VOE 11039262 | 379 | 800 | 341 | VOE 11039450 | 380 | 200 | 361 | VOE 11039664 | 379 | 150 | 315 | VOE 11039713 | 371 | 950 | 263 |
| VOE 11039275 | 379 | 150 | 315 | VOE 11039477 | 380 | 200 | 361 | VOE 11039665 | 371 | 250 | 211 | VOE 11039713 | 379 | 800 | 341 |
| VOE 11039276 | 353 | 100 | 179 | VOE 11039480 | 380 | 200 | 361 | VOE 11039665 | 371 | 300 | 217 | VOE 11039713 | 393 | 100 | 377 |
| VOE 11039288 | 363 | 150 | 195 | VOE 11039481 | 380 | 200 | 361 | VOE 11039665 | 371 | 1650 | 289 | VOE 11039714 | 371 | 250 | 213 |
| VOE 11039289 | 363 | 150 | 195 | VOE 11039482 | 380 | 200 | 363 | VOE 11039665 | 379 | 150 | 315 | VOE 11039714 | 371 | 950 | 263 |
| VOE 11039290 | 363 | 150 | 195 | VOE 11039491 | 371 | 500 | 231 | VOE 11039670 | 379 | 600 | 335 | VOE 11039714 | 379 | 800 | 341 |
| VOE 11039291 | 362 | 200 | 189 | VOE 11039491 | 379 | 150 | 311 | VOE 11039671 | 379 | 600 | 335 | VOE 11039714 | 393 | 100 | 377 |
| VOE 11039292 | 352 | 250 | 177 | VOE 11039491 | 874 | 250 | 741 | VOE 11039681 | 371 | 850 | 257 | VOE 11039715 | 379 | 800 | 341 |
| VOE 11039302 | 371 | 1500 | 285 | VOE 11039505 | 380 | 200 | 363 | VOE 11039681 | 882 | 600 | 769 | VOE 11039725 | 386 | 150 | 373 |
| VOE 11039302 | 372 | 100 | 295 | VOE 11039527 | 363 | 100 | 193 | VOE 11039681 | 882 | 600 | 771 | VOE 11039725 | 911 | 150 | 797 |
| VOE 11039330 | 379 | 900 | 347 | VOE 11039529 | 363 | 100 | 193 | VOE 11039685 | 371 | 500 | 231 | VOE 11039728 | 362 | 100 | 185 |
| VOE 11039378 | 379 | 150 | 313 | VOE 11039535 | 380 | 100 | 351 | VOE 11039685 | 371 | 525 | 235 | VOE 11039750 | 881 | 200 | 753 |
| VOE 11039380 | 371 | 1400 | 281 | VOE 11039535 | 380 | 125 | 355 | VOE 11039685 | 379 | 800 | 341 | VOE 11039776 | 271 | 100 | 141 |
| VOE 11039380 | 380 | 200 | 363 | VOE 11039553 | 353 | 100 | 179 | VOE 11039688 | 371 | 500 | 231 | VOE 11039800 | 272 | 100 | 143 |
| VOE 11039390 | 380 | 200 | 361 | VOE 11039557 | 263 | 150 | 127 | VOE 11039688 | 371 | 850 | 257 | VOE 11039813 | 371 | 875 | 259 |
| VOE 11039397 | 353 | 200 | 183 | VOE 11039557 | 386 | 150 | 369 | VOE 11039688 | 371 | 875 | 259 | VOE 11039816 | 380 | 200 | 363 |
| VOE 11039397 | 371 | 200 | 207 | VOE 11039557 | 386 | 150 | 371 | VOE 11039688 | 380 | 100 | 353 | VOE 11039821 | 234 | 100 | 83 |
| VOE 11039397 | 371 | 250 | 211 | VOE 11039557 | 421 | 100 | 409 | VOE 11039689 | 371 | 500 | 231 | VOE 11039821 | 386 | 150 | 369 |
| VOE 11039397 | 371 | 250 | 213 | VOE 11039560 | 882 | 550 | 765 | VOE 11039689 | 371 | 850 | 257 | VOE 11039831 | 371 | 875 | 259 |
| VOE 11039397 | 371 | 650 | 247 | VOE 11039561 | 660 | 150 | 569 | VOE 11039689 | 371 | 875 | 259 | VOE 11039843 | 371 | 650 | 245 |
| VOE 11039397 | 371 | 700 | 251 | VOE 11039564 | 380 | 200 | 361 | VOE 11039689 | 380 | 100 | 353 | VOE 11039843 | 379 | 150 | 315 |
| VOE 11039397 | 371 | 800 | 255 | VOE 11039565 | 380 | 200 | 361 | VOE 11039694 | 380 | 200 | 361 | VOE 11039846 | 352 | 150 | 173 |
| VOE 11039397 | 371 | 1650 | 289 | VOE 11039566 | 380 | 200 | 363 | VOE 11039695 | 380 | 200 | 361 | VOE 11039846 | 352 | 250 | 177 |
| | | | | | | | | | | | | | | | |
| | | | | | | | | | | | | | | | |
| | | | | | | | | | | | | | | | |
| | | | | | | | | | | | | | | | |
| | | | | | | | | | | | | | | | |
| | | | | | | | | | | | | | | | |

| Part No | Group | Sect | Page | Part No | Group | Sect | Page | Part No | Group | Sect | Page | Part No | Group | Sect | Page | Part No | Group | Sect | Page |
|--------------|-------|------|------|--------------|-------|------|------|--------------|-------|------|------|--------------|-------|------|------|--------------|-------|------|------|
| VOE 11048020 | 945 | 150 | 883 | VOE 11100354 | 460 | 100 | 461 | VOE 11104040 | 843 | 100 | 681 | VOE 11104399 | 810 | 150 | 615 | VOE 11104606 | 874 | 300 | 743 |
| VOE 11048020 | 945 | 200 | 885 | VOE 11100715 | 371 | 100 | 199 | VOE 11104071 | 874 | 250 | 741 | VOE 11104411 | 872 | 125 | 719 | VOE 11104606 | 914 | 200 | 837 |
| VOE 11048020 | 945 | 250 | 889 | VOE 11100853 | 522 | 300 | 507 | VOE 11104075 | 843 | 200 | 685 | VOE 11104415 | 872 | 125 | 719 | VOE 11104607 | 362 | 150 | 187 |
| VOE 11048020 | 945 | 300 | 893 | VOE 11101827 | 916 | 200 | 863 | VOE 11104092 | 852 | 100 | 691 | VOE 11104419 | 874 | 350 | 747 | VOE 11104609 | 810 | 200 | 619 |
| VOE 11048020 | 945 | 350 | 897 | VOE 11101945 | 914 | 600 | 847 | VOE 11104092 | 852 | 450 | 707 | VOE 11104422 | 881 | 100 | 749 | VOE 11104609 | 837 | 200 | 675 |
| VOE 11048063 | 647 | 200 | 563 | VOE 11102049 | 461 | 150 | 469 | VOE 11104093 | 852 | 100 | 691 | VOE 11104439 | 872 | 125 | 719 | VOE 11104610 | 810 | 200 | 619 |
| VOE 11048081 | 945 | 250 | 889 | VOE 11102146 | 461 | 150 | 469 | VOE 11104093 | 852 | 450 | 707 | VOE 11104443 | 363 | 200 | 197 | VOE 11104610 | 837 | 200 | 675 |
| VOE 11050490 | 897 | 150 | 781 | VOE 11102187 | 434 | 200 | 449 | VOE 11104110 | 641 | 100 | 529 | VOE 11104446 | 872 | 125 | 719 | VOE 11104614 | 851 | 100 | 687 |
| VOE 11054659 | 217 | 150 | 67 | VOE 11102187 | 461 | 100 | 465 | VOE 11104111 | 362 | 150 | 187 | VOE 11104449 | 843 | 100 | 681 | VOE 11104630 | 641 | 100 | 529 |
| VOE 11054692 | 217 | 150 | 67 | VOE 11102187 | 463 | 100 | 475 | VOE 11104111 | 362 | 225 | 191 | VOE 11104451 | 843 | 200 | 685 | VOE 11104642 | 882 | 300 | 761 |
| VOE 11054692 | 911 | 150 | 797 | VOE 11102249 | 516 | 100 | 499 | VOE 11104125 | 852 | 100 | 693 | VOE 11104463 | 831 | 150 | 671 | VOE 11104643 | 914 | 350 | 843 |
| VOE 11055037 | 897 | 300 | 783 | VOE 11102336 | 461 | 200 | 473 | VOE 11104125 | 852 | 300 | 701 | VOE 11104464 | 831 | 150 | 671 | VOE 11104645 | 881 | 100 | 749 |
| VOE 11055905 | 460 | 150 | 463 | VOE 11102336 | 463 | 250 | 481 | VOE 11104133 | 882 | 550 | 767 | VOE 11104469 | 810 | 150 | 615 | VOE 11104646 | 882 | 200 | 759 |
| VOE 11057786 | 810 | 150 | 615 | VOE 11102446 | 461 | 100 | 465 | VOE 11104146 | 882 | 550 | 765 | VOE 11104478 | 872 | 200 | 725 | VOE 11104649 | 882 | 200 | 759 |
| VOE 11057786 | 821 | 200 | 639 | VOE 11102447 | 463 | 100 | 475 | VOE 11104180 | 882 | 150 | 757 | VOE 11104479 | 872 | 200 | 725 | VOE 11104650 | 882 | 200 | 759 |
| VOE 11058193 | 872 | 150 | 723 | VOE 11102575 | 516 | 100 | 499 | VOE 11104181 | 882 | 150 | 757 | VOE 11104485 | 882 | 100 | 755 | VOE 11104653 | 882 | 200 | 759 |
| VOE 11075841 | 911 | 550 | 817 | VOE 11102585 | 461 | 200 | 473 | VOE 11104240 | 837 | 200 | 675 | VOE 11104509 | 843 | 200 | 685 | VOE 11104654 | 873 | 150 | 731 |
| VOE 11078015 | 882 | 100 | 755 | VOE 11102586 | 463 | 250 | 481 | VOE 11104241 | 874 | 250 | 739 | VOE 11104514 | 380 | 100 | 353 | VOE 11104655 | 873 | 150 | 731 |
| VOE 11079238 | 860 | 125 | 709 | VOE 11102623 | 461 | 150 | 469 | VOE 11104254 | 852 | 100 | 691 | VOE 11104514 | 380 | 125 | 357 | VOE 11104661 | 872 | 125 | 719 |
| VOE 11079432 | 860 | 150 | 711 | VOE 11102823 | 461 | 200 | 473 | VOE 11104254 | 852 | 150 | 695 | VOE 11104519 | 837 | 200 | 675 | VOE 11104664 | 882 | 200 | 759 |
| VOE 11079448 | 860 | 150 | 711 | VOE 11102823 | 463 | 250 | 481 | VOE 11104254 | 852 | 200 | 697 | VOE 11104523 | 837 | 200 | 675 | VOE 11104665 | 882 | 200 | 759 |
| VOE 11079458 | 860 | 150 | 711 | VOE 11102845 | 463 | 150 | 477 | VOE 11104272 | 852 | 450 | 707 | VOE 11104551 | 831 | 150 | 671 | VOE 11104685 | 831 | 150 | 673 |
| VOE 11079461 | 860 | 150 | 711 | VOE 11102846 | 463 | 150 | 477 | VOE 11104273 | 852 | 100 | 691 | VOE 11104554 | 873 | 150 | 731 | VOE 11104690 | 641 | 100 | 529 |
| VOE 11079470 | 860 | 150 | 711 | VOE 11102856 | 463 | 150 | 477 | VOE 11104273 | 852 | 200 | 697 | VOE 11104555 | 873 | 150 | 731 | VOE 11104695 | 882 | 200 | 759 |
| VOE 11079497 | 860 | 150 | 711 | VOE 11102858 | 463 | 250 | 481 | VOE 11104274 | 852 | 100 | 691 | VOE 11104558 | 851 | 100 | 687 | VOE 11104695 | 882 | 500 | 763 |
| VOE 11088052 | 645 | 200 | 545 | VOE 11102861 | 461 | 200 | 473 | VOE 11104274 | 852 | 250 | 699 | VOE 11104559 | 851 | 100 | 687 | VOE 11104695 | 882 | 550 | 765 |
| VOE 11088054 | 945 | 500 | 905 | VOE 11102861 | 463 | 250 | 481 | VOE 11104329 | 851 | 100 | 687 | VOE 11104572 | 851 | 100 | 687 | VOE 11104711 | 882 | 600 | 769 |
| VOE 11088082 | 945 | 500 | 905 | VOE 11102864 | 517 | 100 | 501 | VOE 11104343 | 843 | 100 | 681 | VOE 11104593 | 843 | 150 | 683 | VOE 11104712 | 882 | 600 | 769 |
| VOE 11088600 | 945 | 500 | 905 | VOE 11103110 | 461 | 150 | 469 | VOE 11104344 | 843 | 100 | 681 | VOE 11104603 | 882 | 200 | 759 | VOE 11104723 | 380 | 150 | 359 |
| VOE 11091337 | 945 | 300 | 895 | VOE 11104014 | 852 | 100 | 691 | VOE 11104349 | 881 | 100 | 749 | VOE 11104606 | 321 | 100 | 159 | VOE 11104723 | 872 | 150 | 723 |
| VOE 11092421 | 872 | 125 | 719 | VOE 11104015 | 852 | 100 | 691 | VOE 11104371 | 851 | 100 | 687 | VOE 11104606 | 363 | 200 | 197 | VOE 11104727 | 371 | 850 | 257 |
| VOE 11093429 | 716 | 100 | 593 | VOE 11104015 | 852 | 300 | 701 | VOE 11104371 | 872 | 200 | 725 | VOE 11104606 | 371 | 400 | 225 | VOE 11104727 | 882 | 600 | 769 |
| VOE 11099101 | 711 | 100 | 579 | VOE 11104016 | 852 | 100 | 691 | VOE 11104372 | 872 | 200 | 725 | VOE 11104606 | 371 | 750 | 253 | VOE 11104730 | 882 | 500 | 763 |
| VOE 11099238 | 269 | 150 | 137 | VOE 11104016 | 852 | 350 | 703 | VOE 11104399 | 353 | 150 | 181 | VOE 11104606 | 372 | 200 | 301 | VOE 11104731 | 882 | 600 | 769 |
| VOE 11099238 | 269 | 250 | 139 | VOE 11104018 | 852 | 350 | 703 | VOE 11104399 | 362 | 150 | 187 | VOE 11104606 | 522 | 300 | 509 | VOE 11104735 | 872 | 150 | 723 |

NUMERICAL INDEX

RÉPERTOIRE DE NUMÉROS

NUMMERREGISTER

INDICE DE NÚMERO

NUMMERREGISTER

| | |
|--------------------------------|----------------------|
| Catalogue id 20007 | Group 1000 |
| Issue VOE 63D9920007 | Page 5 |

VOLVO

L90E

| NUMERICAL INDEX | | | | INDICE DE NÚMERO | | | | | | | | | | | Catalogue id | | Group | | |
|------------------------------|-------|------|------|-------------------------|-------|------|------|--------------|-------|------|------|--------------|-------|------|-----------------------|--------------|--------------|------|------|
| RÉPERTOIRE DE NUMÉROS | | | | NUMMERREGISTER | | | | | | | | | | | 20007 | | 1000 | | |
| NUMMERNREGISTER | | | | | | | | | | | | | | | Issue | | Page | | |
| | | | | | | | | | | | | | | | VOE 63D9920007 | | 6 | | |
| Part No | Group | Sect | Page | Part No | Group | Sect | Page | Part No | Group | Sect | Page | Part No | Group | Sect | Page | Part No | Group | Sect | Page |
| VOE 11104740 | 831 | 150 | 671 | VOE 11107461 | 645 | 200 | 545 | VOE 11110496 | 258 | 100 | 107 | VOE 11130675 | 451 | 100 | 453 | VOE 11144403 | 421 | 350 | 429 |
| VOE 11104742 | 914 | 350 | 843 | VOE 11107525 | 645 | 200 | 545 | VOE 11110499 | 258 | 100 | 107 | VOE 11130749 | 551 | 250 | 519 | VOE 11144404 | 421 | 100 | 409 |
| VOE 11104747 | 882 | 550 | 765 | VOE 11107710 | 945 | 500 | 905 | VOE 11110520 | 261 | 100 | 109 | VOE 11130843 | 916 | 100 | 855 | VOE 11144406 | 421 | 200 | 415 |
| VOE 11104749 | 831 | 100 | 669 | VOE 11107766 | 645 | 200 | 545 | VOE 11110522 | 261 | 100 | 109 | VOE 11130884 | 420 | 200 | 397 | VOE 11144407 | 421 | 200 | 415 |
| VOE 11104778 | 841 | 100 | 677 | VOE 11108113 | 371 | 400 | 225 | VOE 11110525 | 261 | 100 | 109 | VOE 11130942 | 897 | 300 | 783 | VOE 11144424 | 434 | 200 | 447 |
| VOE 11104788 | 874 | 250 | 741 | VOE 11108119 | 371 | 950 | 265 | VOE 11110526 | 261 | 100 | 109 | VOE 11130990 | 827 | 100 | 667 | VOE 11144432 | 434 | 200 | 449 |
| VOE 11104793 | 874 | 250 | 739 | VOE 11108557 | 263 | 150 | 127 | VOE 11110527 | 261 | 100 | 109 | VOE 11132263 | 460 | 150 | 463 | VOE 11144446 | 421 | 250 | 421 |
| VOE 11104888 | 882 | 600 | 769 | VOE 11108607 | 945 | 250 | 889 | VOE 11110528 | 261 | 100 | 109 | VOE 11132312 | 371 | 950 | 265 | VOE 11144447 | 421 | 350 | 427 |
| VOE 11104894 | 872 | 125 | 719 | VOE 11108672 | 827 | 100 | 667 | VOE 11110534 | 261 | 100 | 109 | VOE 11133079 | 821 | 100 | 623 | VOE 11144448 | 421 | 350 | 427 |
| VOE 11104898 | 641 | 100 | 529 | VOE 11108697 | 522 | 100 | 503 | VOE 11110535 | 261 | 100 | 109 | VOE 11141681 | 860 | 150 | 711 | VOE 11144449 | 421 | 350 | 427 |
| VOE 11104947 | 810 | 150 | 615 | VOE 11108728 | 434 | 150 | 445 | VOE 11110668 | 235 | 100 | 87 | VOE 11141731 | 860 | 150 | 711 | VOE 11144450 | 421 | 350 | 427 |
| VOE 11104981 | 882 | 600 | 771 | VOE 11108730 | 522 | 100 | 503 | VOE 11110668 | 235 | 110 | 91 | VOE 11141732 | 860 | 150 | 711 | VOE 11144458 | 421 | 250 | 419 |
| VOE 11104982 | 882 | 600 | 771 | VOE 11108730 | 522 | 100 | 505 | VOE 11112903 | 386 | 150 | 373 | VOE 11141734 | 914 | 700 | 851 | VOE 11144458 | 421 | 300 | 423 |
| VOE 11104987 | 882 | 600 | 769 | VOE 11108746 | 421 | 400 | 431 | VOE 11112903 | 945 | 450 | 903 | VOE 11142687 | 924 | 150 | 869 | VOE 11144459 | 421 | 250 | 421 |
| VOE 11104988 | 641 | 100 | 529 | VOE 11110049 | 491 | 100 | 489 | VOE 11113951 | 390 | 100 | 375 | VOE 11142687 | 924 | 200 | 873 | VOE 11144459 | 421 | 300 | 425 |
| VOE 11104993 | 873 | 150 | 731 | VOE 11110175 | 256 | 150 | 105 | VOE 11114903 | 390 | 100 | 375 | VOE 11144002 | 421 | 350 | 427 | VOE 11144459 | 421 | 350 | 429 |
| VOE 11104995 | 380 | 150 | 359 | VOE 11110176 | 256 | 150 | 105 | VOE 11115555 | 269 | 150 | 137 | VOE 11144006 | 421 | 350 | 427 | VOE 11144463 | 421 | 350 | 427 |
| VOE 11105306 | 460 | 100 | 461 | VOE 11110213 | 256 | 100 | 103 | VOE 11115697 | 371 | 500 | 231 | VOE 11144019 | 421 | 550 | 439 | VOE 11144464 | 421 | 350 | 429 |
| VOE 11107032 | 945 | 500 | 905 | VOE 11110273 | 252 | 100 | 99 | VOE 11115697 | 371 | 525 | 235 | VOE 11144020 | 421 | 550 | 439 | VOE 11144468 | 434 | 200 | 447 |
| VOE 11107170 | 945 | 550 | 907 | VOE 11110276 | 252 | 100 | 99 | VOE 11120104 | 912 | 100 | 819 | VOE 11144023 | 421 | 250 | 419 | VOE 11144469 | 434 | 200 | 447 |
| VOE 11107202 | 945 | 550 | 907 | VOE 11110309 | 252 | 100 | 99 | VOE 11121152 | 841 | 100 | 677 | VOE 11144023 | 421 | 300 | 423 | VOE 11144470 | 434 | 200 | 447 |
| VOE 11107203 | 945 | 550 | 907 | VOE 11110351 | 252 | 100 | 99 | VOE 11130091 | 421 | 400 | 431 | VOE 11144024 | 421 | 250 | 419 | VOE 11144487 | 421 | 350 | 427 |
| VOE 11107217 | 945 | 550 | 907 | VOE 11110354 | 258 | 100 | 107 | VOE 11130091 | 434 | 200 | 449 | VOE 11144025 | 421 | 300 | 423 | VOE 11144491 | 434 | 200 | 447 |
| VOE 11107268 | 945 | 550 | 907 | VOE 11110355 | 252 | 100 | 99 | VOE 11130269 | 217 | 150 | 67 | VOE 11144026 | 421 | 250 | 419 | VOE 11144493 | 434 | 200 | 449 |
| VOE 11107294 | 945 | 500 | 905 | VOE 11110371 | 223 | 150 | 77 | VOE 11130271 | 261 | 250 | 117 | VOE 11144027 | 421 | 300 | 423 | VOE 11144494 | 434 | 200 | 449 |
| VOE 11107295 | 945 | 500 | 905 | VOE 11110371 | 235 | 100 | 87 | VOE 11130278 | 235 | 100 | 87 | VOE 11144031 | 421 | 250 | 419 | VOE 11144497 | 421 | 200 | 413 |
| VOE 11107296 | 945 | 500 | 905 | VOE 11110371 | 235 | 110 | 91 | VOE 11130278 | 235 | 110 | 91 | VOE 11144031 | 421 | 300 | 423 | VOE 11144602 | 421 | 350 | 427 |
| VOE 11107298 | 945 | 500 | 905 | VOE 11110377 | 261 | 100 | 109 | VOE 11130351 | 491 | 100 | 489 | VOE 11144058 | 421 | 550 | 439 | VOE 11144604 | 421 | 250 | 419 |
| VOE 11107299 | 945 | 550 | 907 | VOE 11110379 | 261 | 100 | 109 | VOE 11130354 | 491 | 100 | 489 | VOE 11144069 | 421 | 400 | 431 | VOE 11144604 | 421 | 300 | 423 |
| VOE 11107301 | 945 | 550 | 907 | VOE 11110389 | 223 | 150 | 77 | VOE 11130393 | 715 | 400 | 591 | VOE 11144070 | 421 | 400 | 431 | VOE 11144606 | 421 | 350 | 429 |
| VOE 11107348 | 645 | 200 | 545 | VOE 11110389 | 235 | 110 | 91 | VOE 11130496 | 491 | 100 | 489 | VOE 11144077 | 421 | 200 | 415 | VOE 11144607 | 421 | 250 | 419 |
| VOE 11107360 | 645 | 200 | 545 | VOE 11110409 | 261 | 150 | 111 | VOE 11130496 | 491 | 100 | 491 | VOE 11144081 | 421 | 200 | 415 | VOE 11144607 | 421 | 300 | 423 |
| VOE 11107432 | 945 | 550 | 907 | VOE 11110410 | 261 | 150 | 111 | VOE 11130600 | 715 | 300 | 589 | VOE 11144086 | 421 | 200 | 415 | VOE 11144608 | 421 | 250 | 419 |
| VOE 11107453 | 945 | 550 | 907 | VOE 11110471 | 235 | 100 | 87 | VOE 11130641 | 823 | 100 | 641 | VOE 11144087 | 421 | 200 | 415 | VOE 11144608 | 421 | 300 | 423 |
| VOE 11107454 | 945 | 500 | 905 | VOE 11110471 | 235 | 110 | 91 | VOE 11130641 | 823 | 110 | 645 | VOE 11144403 | 421 | 350 | 427 | VOE 11144609 | 421 | 250 | 419 |

(

(

(

(

(

(

(

| Part No | Group | Sect | Page | Part No | Group | Sect | Page | Part No | Group | Sect | Page | Part No | Group | Sect | Page | Part No | Group | Sect | Page |
|--------------|-------|------|------|--------------|-------|------|------|--------------|-------|------|------|--------------|-------|------|------|--------------|-------|------|------|
| VOE 11144609 | 421 | 300 | 423 | VOE 11145264 | 421 | 100 | 409 | VOE 11147978 | 551 | 250 | 519 | VOE 11157191 | 924 | 200 | 873 | VOE 11164485 | 841 | 100 | 677 |
| VOE 11144613 | 421 | 350 | 429 | VOE 11145265 | 421 | 250 | 419 | VOE 11147995 | 911 | 250 | 801 | VOE 11157390 | 924 | 150 | 869 | VOE 11164488 | 841 | 100 | 677 |
| VOE 11144614 | 421 | 350 | 429 | VOE 11145265 | 421 | 300 | 423 | VOE 11148028 | 916 | 100 | 855 | VOE 11157678 | 924 | 150 | 869 | VOE 11164488 | 841 | 100 | 679 |
| VOE 11144615 | 421 | 350 | 429 | VOE 11145272 | 434 | 100 | 441 | VOE 11148257 | 916 | 150 | 861 | VOE 11157678 | 924 | 200 | 873 | VOE 11164497 | 851 | 100 | 687 |
| VOE 11144617 | 421 | 200 | 415 | VOE 11145276 | 421 | 300 | 423 | VOE 11148298 | 647 | 200 | 563 | VOE 11163005 | 645 | 100 | 535 | VOE 11164499 | 865 | 100 | 715 |
| VOE 11144620 | 421 | 500 | 435 | VOE 11145321 | 420 | 150 | 395 | VOE 11148403 | 252 | 100 | 99 | VOE 11163049 | 914 | 600 | 847 | VOE 11164527 | 882 | 600 | 769 |
| VOE 11144634 | 421 | 250 | 421 | VOE 11145327 | 420 | 150 | 395 | VOE 11148477 | 393 | 100 | 377 | VOE 11163064 | 217 | 150 | 67 | VOE 11164542 | 841 | 100 | 679 |
| VOE 11144634 | 421 | 300 | 425 | VOE 11145345 | 421 | 500 | 435 | VOE 11148622 | 527 | 200 | 517 | VOE 11163066 | 924 | 250 | 875 | VOE 11164553 | 371 | 600 | 241 |
| VOE 11144812 | 434 | 150 | 445 | VOE 11145346 | 421 | 500 | 435 | VOE 11148665 | 911 | 250 | 801 | VOE 11163066 | 924 | 300 | 877 | VOE 11164585 | 362 | 150 | 187 |
| VOE 11144852 | 414 | 100 | 387 | VOE 11145366 | 434 | 200 | 447 | VOE 11148718 | 827 | 100 | 667 | VOE 11163073 | 660 | 100 | 565 | VOE 11164585 | 362 | 225 | 191 |
| VOE 11144858 | 421 | 200 | 415 | VOE 11145380 | 421 | 350 | 429 | VOE 11148801 | 911 | 150 | 795 | VOE 11163073 | 660 | 100 | 567 | VOE 11164618 | 874 | 250 | 739 |
| VOE 11144859 | 421 | 200 | 415 | VOE 11145392 | 421 | 250 | 419 | VOE 11148867 | 261 | 200 | 113 | VOE 11163086 | 911 | 300 | 805 | VOE 11164620 | 380 | 100 | 351 |
| VOE 11144910 | 421 | 200 | 415 | VOE 11145404 | 421 | 250 | 421 | VOE 11148915 | 924 | 100 | 865 | VOE 11163088 | 645 | 100 | 541 | VOE 11164620 | 380 | 125 | 355 |
| VOE 11144940 | 421 | 100 | 409 | VOE 11145410 | 421 | 100 | 409 | VOE 11148915 | 924 | 100 | 867 | VOE 11163103 | 468 | 150 | 485 | VOE 11164641 | 843 | 150 | 683 |
| VOE 11144952 | 421 | 200 | 415 | VOE 11145413 | 421 | 200 | 413 | VOE 11148924 | 715 | 200 | 585 | VOE 11163179 | 716 | 150 | 595 | VOE 11164645 | 641 | 200 | 533 |
| VOE 11144965 | 421 | 500 | 435 | VOE 11145414 | 421 | 200 | 413 | VOE 11148936 | 914 | 600 | 847 | VOE 11164305 | 874 | 250 | 739 | VOE 11164653 | 831 | 150 | 671 |
| VOE 11144969 | 421 | 100 | 409 | VOE 11145571 | 371 | 650 | 243 | VOE 11148937 | 911 | 300 | 805 | VOE 11164307 | 851 | 100 | 687 | VOE 11164653 | 873 | 150 | 731 |
| VOE 11144999 | 421 | 300 | 423 | VOE 11145700 | 371 | 650 | 243 | VOE 11148951 | 911 | 450 | 813 | VOE 11164307 | 851 | 150 | 689 | VOE 11164806 | 881 | 150 | 751 |
| VOE 11145103 | 421 | 350 | 427 | VOE 11145708 | 421 | 400 | 431 | VOE 11148953 | 924 | 100 | 867 | VOE 11164308 | 851 | 100 | 687 | VOE 11164813 | 881 | 150 | 751 |
| VOE 11145104 | 421 | 250 | 419 | VOE 11147234 | 912 | 100 | 821 | VOE 11148957 | 522 | 300 | 509 | VOE 11164308 | 851 | 150 | 689 | VOE 11164817 | 380 | 100 | 351 |
| VOE 11145104 | 421 | 300 | 423 | VOE 11147562 | 263 | 150 | 127 | VOE 11148958 | 916 | 100 | 857 | VOE 11164312 | 874 | 250 | 741 | VOE 11164817 | 380 | 125 | 355 |
| VOE 11145105 | 421 | 150 | 411 | VOE 11147586 | 914 | 600 | 849 | VOE 11148959 | 924 | 100 | 865 | VOE 11164330 | 881 | 100 | 749 | VOE 11164827 | 810 | 200 | 619 |
| VOE 11145170 | 421 | 500 | 435 | VOE 11147595 | 827 | 100 | 667 | VOE 11148960 | 916 | 100 | 857 | VOE 11164348 | 914 | 350 | 843 | VOE 11164829 | 843 | 100 | 681 |
| VOE 11145172 | 421 | 500 | 435 | VOE 11147749 | 843 | 200 | 685 | VOE 11148962 | 914 | 100 | 831 | VOE 11164355 | 914 | 350 | 843 | VOE 11164831 | 881 | 150 | 751 |
| VOE 11145178 | 421 | 100 | 409 | VOE 11147756 | 353 | 200 | 183 | VOE 11148983 | 660 | 100 | 565 | VOE 11164380 | 882 | 100 | 755 | VOE 11164836 | 851 | 150 | 689 |
| VOE 11145179 | 434 | 200 | 447 | VOE 11147868 | 371 | 250 | 211 | VOE 11148988 | 522 | 100 | 503 | VOE 11164385 | 882 | 200 | 759 | VOE 11164849 | 851 | 150 | 689 |
| VOE 11145192 | 421 | 150 | 411 | VOE 11147868 | 371 | 350 | 221 | VOE 11152160 | 269 | 150 | 137 | VOE 11164393 | 860 | 125 | 709 | VOE 11164850 | 851 | 150 | 689 |
| VOE 11145193 | 421 | 250 | 421 | VOE 11147868 | 371 | 400 | 225 | VOE 11152167 | 269 | 150 | 137 | VOE 11164402 | 860 | 125 | 709 | VOE 11164875 | 851 | 150 | 689 |
| VOE 11145193 | 421 | 300 | 425 | VOE 11147868 | 371 | 650 | 247 | VOE 11153057 | 897 | 150 | 781 | VOE 11164409 | 860 | 125 | 709 | VOE 11164878 | 380 | 125 | 355 |
| VOE 11145194 | 421 | 250 | 421 | VOE 11147868 | 371 | 750 | 253 | VOE 11154125 | 217 | 150 | 67 | VOE 11164410 | 860 | 125 | 709 | VOE 11164886 | 851 | 150 | 689 |
| VOE 11145194 | 421 | 300 | 425 | VOE 11147868 | 371 | 950 | 263 | VOE 11156114 | 924 | 150 | 869 | VOE 11164416 | 860 | 125 | 709 | VOE 11164900 | 810 | 200 | 619 |
| VOE 11145195 | 421 | 300 | 425 | VOE 11147868 | 371 | 1000 | 267 | VOE 11156757 | 924 | 150 | 869 | VOE 11164431 | 810 | 150 | 615 | VOE 11168007 | 461 | 200 | 473 |
| VOE 11145196 | 421 | 250 | 421 | VOE 11147868 | 379 | 150 | 313 | VOE 11157123 | 924 | 150 | 869 | VOE 11164454 | 882 | 300 | 761 | VOE 11168020 | 468 | 100 | 483 |
| VOE 11145196 | 421 | 300 | 425 | VOE 11147935 | 263 | 200 | 131 | VOE 11157123 | 924 | 200 | 873 | VOE 11164457 | 874 | 300 | 743 | VOE 11168028 | 468 | 100 | 483 |
| VOE 11145204 | 421 | 250 | 421 | VOE 11147946 | 911 | 300 | 805 | VOE 11157191 | 924 | 150 | 869 | VOE 11164477 | 851 | 100 | 687 | VOE 11168030 | 463 | 150 | 479 |

NUMERICAL INDEX

RÉPERTOIRE DE NUMÉROS

NUMMERNREGISTER

INDICE DE NÚMERO

NUMMERREGISTER

| | |
|------------------------------|----------------------|
| Catalogue id 20007 | Group 1000 |
| Issue VOE 63D9920007 | Page 7 |

VOLVO

L90E

| NUMERICAL INDEX | | | | INDICE DE NÚMERO | | | | Catalogue id | | Group | | | | | |
|-----------------------|-------|------|------|------------------|-------|------|------|----------------|-------|-------|------|--------------|-------|------|------|
| RÉPERTOIRE DE NUMÉROS | | | | NUMMERREGISTER | | | | 20007 | | 1000 | | | | | |
| NUMMERNREGISTER | | | | | | | | Issue | | Page | | | | | |
| | | | | | | | | VOE 63D9920007 | | 8 | | | | | |
| Part No | Group | Sect | Page | Part No | Group | Sect | Page | Part No | Group | Sect | Page | Part No | Group | Sect | Page |
| VOE 11168041 | 461 | 200 | 473 | VOE 11168135 | 468 | 100 | 483 | VOE 11170079 | 386 | 150 | 371 | VOE 11170677 | 371 | 850 | 257 |
| VOE 11168042 | 463 | 150 | 477 | VOE 11168136 | 461 | 100 | 465 | VOE 11170082 | 269 | 250 | 139 | VOE 11170677 | 371 | 1400 | 281 |
| VOE 11168043 | 463 | 100 | 475 | VOE 11168139 | 463 | 100 | 475 | VOE 11170084 | 379 | 150 | 315 | VOE 11170677 | 882 | 600 | 771 |
| VOE 11168044 | 463 | 100 | 475 | VOE 11168140 | 463 | 100 | 475 | VOE 11170086 | 271 | 100 | 141 | VOE 11170678 | 371 | 850 | 257 |
| VOE 11168045 | 460 | 100 | 461 | VOE 11168141 | 463 | 250 | 481 | VOE 11170087 | 362 | 225 | 191 | VOE 11170678 | 371 | 1400 | 281 |
| VOE 11168049 | 460 | 100 | 461 | VOE 11168143 | 461 | 200 | 473 | VOE 11170090 | 386 | 150 | 371 | VOE 11170678 | 882 | 600 | 769 |
| VOE 11168056 | 461 | 150 | 471 | VOE 11168144 | 463 | 250 | 481 | VOE 11170090 | 527 | 200 | 517 | VOE 11170682 | 371 | 500 | 229 |
| VOE 11168057 | 463 | 150 | 477 | VOE 11170005 | 371 | 300 | 219 | VOE 11170091 | 321 | 100 | 159 | VOE 11170688 | 371 | 100 | 201 |
| VOE 11168058 | 463 | 150 | 477 | VOE 11170005 | 371 | 800 | 255 | VOE 11170092 | 269 | 150 | 137 | VOE 11170690 | 371 | 1200 | 279 |
| VOE 11168059 | 463 | 150 | 477 | VOE 11170009 | 353 | 150 | 181 | VOE 11170093 | 234 | 100 | 83 | VOE 11170698 | 353 | 200 | 183 |
| VOE 11168060 | 461 | 150 | 469 | VOE 11170010 | 352 | 250 | 177 | VOE 11170098 | 362 | 200 | 189 | VOE 11170710 | 371 | 100 | 199 |
| VOE 11168061 | 461 | 150 | 469 | VOE 11170011 | 321 | 150 | 161 | VOE 11170099 | 269 | 250 | 139 | VOE 11170713 | 371 | 100 | 199 |
| VOE 11168062 | 461 | 150 | 469 | VOE 11170013 | 372 | 150 | 297 | VOE 11170100 | 269 | 250 | 139 | VOE 11170714 | 371 | 100 | 199 |
| VOE 11168063 | 461 | 150 | 469 | VOE 11170016 | 371 | 100 | 201 | VOE 11170123 | 522 | 300 | 507 | VOE 11170733 | 333 | 100 | 169 |
| VOE 11168064 | 461 | 150 | 469 | VOE 11170020 | 371 | 100 | 201 | VOE 11170126 | 380 | 125 | 355 | VOE 11170743 | 527 | 200 | 517 |
| VOE 11168065 | 461 | 150 | 469 | VOE 11170023 | 390 | 100 | 375 | VOE 11170147 | 380 | 150 | 359 | VOE 11170815 | 881 | 200 | 753 |
| VOE 11168067 | 460 | 100 | 461 | VOE 11170026 | 321 | 100 | 159 | VOE 11170154 | 380 | 200 | 361 | VOE 11170822 | 371 | 1700 | 291 |
| VOE 11168079 | 461 | 200 | 473 | VOE 11170040 | 882 | 600 | 769 | VOE 11170208 | 380 | 100 | 351 | VOE 11170827 | 371 | 250 | 209 |
| VOE 11168081 | 461 | 150 | 471 | VOE 11170040 | 882 | 600 | 771 | VOE 11170501 | 371 | 1000 | 267 | VOE 11170828 | 371 | 250 | 213 |
| VOE 11168084 | 463 | 150 | 477 | VOE 11170042 | 321 | 100 | 159 | VOE 11170517 | 371 | 1600 | 287 | VOE 11170841 | 371 | 1500 | 285 |
| VOE 11168088 | 463 | 150 | 477 | VOE 11170048 | 372 | 150 | 297 | VOE 11170527 | 333 | 100 | 169 | VOE 11170844 | 371 | 300 | 215 |
| VOE 11168092 | 468 | 100 | 483 | VOE 11170048 | 386 | 100 | 367 | VOE 11170527 | 371 | 950 | 265 | VOE 11170881 | 371 | 1650 | 289 |
| VOE 11168100 | 461 | 150 | 469 | VOE 11170059 | 352 | 100 | 171 | VOE 11170528 | 352 | 150 | 173 | VOE 11170883 | 371 | 700 | 249 |
| VOE 11168104 | 461 | 150 | 469 | VOE 11170060 | 352 | 100 | 171 | VOE 11170546 | 522 | 300 | 509 | VOE 11170884 | 371 | 400 | 223 |
| VOE 11168105 | 461 | 150 | 469 | VOE 11170062 | 352 | 100 | 171 | VOE 11170553 | 371 | 1100 | 275 | VOE 11170887 | 371 | 300 | 217 |
| VOE 11168106 | 461 | 150 | 469 | VOE 11170063 | 352 | 100 | 171 | VOE 11170554 | 371 | 200 | 207 | VOE 11170890 | 371 | 950 | 263 |
| VOE 11168108 | 461 | 100 | 465 | VOE 11170064 | 261 | 150 | 111 | VOE 11170623 | 371 | 400 | 223 | VOE 11170926 | 371 | 250 | 209 |
| VOE 11168109 | 461 | 100 | 465 | VOE 11170064 | 386 | 150 | 369 | VOE 11170643 | 371 | 800 | 255 | VOE 11170927 | 371 | 1050 | 273 |
| VOE 11168116 | 460 | 100 | 461 | VOE 11170068 | 352 | 100 | 171 | VOE 11170656 | 371 | 200 | 207 | VOE 11170939 | 371 | 700 | 249 |
| VOE 11168117 | 460 | 100 | 461 | VOE 11170070 | 371 | 350 | 221 | VOE 11170657 | 371 | 200 | 207 | VOE 11170940 | 371 | 1000 | 267 |
| VOE 11168127 | 468 | 100 | 483 | VOE 11170071 | 386 | 150 | 371 | VOE 11170674 | 371 | 850 | 257 | VOE 11170946 | 371 | 300 | 215 |
| VOE 11168128 | 468 | 100 | 483 | VOE 11170071 | 551 | 250 | 519 | VOE 11170674 | 371 | 1400 | 283 | VOE 11170986 | 371 | 600 | 241 |
| VOE 11168132 | 468 | 100 | 483 | VOE 11170072 | 386 | 150 | 371 | VOE 11170674 | 882 | 600 | 769 | VOE 11170992 | 371 | 525 | 233 |
| VOE 11168133 | 460 | 100 | 461 | VOE 11170072 | 527 | 200 | 517 | VOE 11170676 | 371 | 850 | 257 | VOE 11170995 | 371 | 875 | 259 |
| VOE 11168134 | 461 | 150 | 469 | VOE 11170079 | 371 | 950 | 265 | VOE 11170676 | 882 | 600 | 769 | VOE 11171081 | 371 | 550 | 237 |

| Part No | Group | Sect | Page | Part No | Group | Sect | Page | Part No | Group | Sect | Page | Part No | Group | Sect | Page | Part No | Group | Sect | Page |
|--------------|-------|------|------|--------------|-------|------|------|--------------|-------|------|------|--------------|-------|------|------|--------------|-------|------|------|
| VOE 11172408 | 371 | 150 | 203 | VOE 11172894 | 420 | 200 | 397 | VOE 11173166 | 924 | 100 | 867 | VOE 11173312 | 263 | 125 | 123 | VOE 11173688 | 527 | 200 | 517 |
| VOE 11172408 | 371 | 175 | 205 | VOE 11172901 | 645 | 100 | 537 | VOE 11173169 | 386 | 100 | 367 | VOE 11173313 | 223 | 150 | 77 | VOE 11173690 | 914 | 100 | 831 |
| VOE 11172445 | 261 | 200 | 113 | VOE 11172907 | 234 | 100 | 85 | VOE 11173169 | 551 | 250 | 519 | VOE 11173316 | 914 | 700 | 851 | VOE 11173693 | 527 | 200 | 517 |
| VOE 11172451 | 258 | 100 | 107 | VOE 11172907 | 460 | 150 | 463 | VOE 11173176 | 914 | 700 | 853 | VOE 11173318 | 914 | 700 | 851 | VOE 11173801 | 234 | 100 | 85 |
| VOE 11172454 | 911 | 400 | 811 | VOE 11172920 | 522 | 300 | 507 | VOE 11173201 | 491 | 100 | 489 | VOE 11173325 | 911 | 100 | 793 | VOE 11173805 | 551 | 250 | 519 |
| VOE 11172458 | 527 | 200 | 517 | VOE 11172926 | 258 | 100 | 107 | VOE 11173202 | 491 | 100 | 489 | VOE 11173342 | 911 | 250 | 801 | VOE 11173806 | 914 | 100 | 831 |
| VOE 11172507 | 911 | 250 | 801 | VOE 11172932 | 263 | 125 | 123 | VOE 11173208 | 647 | 100 | 557 | VOE 11173355 | 914 | 700 | 851 | VOE 11173827 | 261 | 100 | 109 |
| VOE 11172507 | 911 | 400 | 811 | VOE 11172946 | 223 | 150 | 77 | VOE 11173208 | 647 | 100 | 559 | VOE 11173370 | 914 | 700 | 851 | VOE 11173828 | 261 | 100 | 109 |
| VOE 11172509 | 911 | 350 | 809 | VOE 11172949 | 911 | 500 | 815 | VOE 11173209 | 647 | 100 | 557 | VOE 11173386 | 647 | 100 | 557 | VOE 11173839 | 874 | 150 | 735 |
| VOE 11172549 | 912 | 100 | 821 | VOE 11172950 | 522 | 325 | 511 | VOE 11173210 | 522 | 300 | 507 | VOE 11173399 | 911 | 550 | 817 | VOE 11173867 | 647 | 100 | 557 |
| VOE 11172557 | 645 | 100 | 539 | VOE 11172976 | 916 | 100 | 855 | VOE 11173211 | 522 | 100 | 503 | VOE 11173420 | 911 | 550 | 817 | VOE 11173896 | 645 | 100 | 539 |
| VOE 11172599 | 914 | 150 | 835 | VOE 11172979 | 916 | 100 | 855 | VOE 11173211 | 551 | 250 | 519 | VOE 11173423 | 647 | 150 | 561 | VOE 11173899 | 924 | 100 | 867 |
| VOE 11172599 | 914 | 250 | 839 | VOE 11173012 | 420 | 150 | 395 | VOE 11173213 | 522 | 100 | 503 | VOE 11173463 | 420 | 250 | 401 | VOE 11173915 | 914 | 350 | 843 |
| VOE 11172599 | 914 | 600 | 847 | VOE 11173014 | 914 | 700 | 851 | VOE 11173215 | 645 | 100 | 535 | VOE 11173483 | 235 | 100 | 87 | VOE 11173930 | 924 | 100 | 865 |
| VOE 11172700 | 522 | 325 | 511 | VOE 11173016 | 911 | 250 | 801 | VOE 11173216 | 645 | 100 | 537 | VOE 11173508 | 217 | 150 | 67 | VOE 11173932 | 258 | 100 | 107 |
| VOE 11172704 | 522 | 325 | 511 | VOE 11173017 | 911 | 400 | 811 | VOE 11173217 | 645 | 100 | 535 | VOE 11173522 | 914 | 200 | 837 | VOE 11173934 | 522 | 325 | 511 |
| VOE 11172706 | 522 | 325 | 511 | VOE 11173029 | 436 | 100 | 451 | VOE 11173220 | 645 | 100 | 535 | VOE 11173523 | 258 | 100 | 107 | VOE 11173956 | 420 | 150 | 395 |
| VOE 11172710 | 913 | 150 | 827 | VOE 11173032 | 911 | 400 | 811 | VOE 11173220 | 645 | 100 | 537 | VOE 11173531 | 914 | 600 | 847 | VOE 11173983 | 647 | 100 | 557 |
| VOE 11172713 | 911 | 400 | 811 | VOE 11173033 | 911 | 250 | 801 | VOE 11173221 | 911 | 200 | 799 | VOE 11173542 | 235 | 100 | 87 | VOE 11173987 | 911 | 350 | 809 |
| VOE 11172714 | 911 | 500 | 815 | VOE 11173077 | 460 | 100 | 461 | VOE 11173224 | 660 | 100 | 565 | VOE 11173542 | 235 | 110 | 91 | VOE 11173988 | 660 | 100 | 565 |
| VOE 11172716 | 911 | 500 | 815 | VOE 11173078 | 460 | 100 | 461 | VOE 11173226 | 234 | 100 | 83 | VOE 11173543 | 235 | 100 | 89 | VOE 11174000 | 827 | 100 | 667 |
| VOE 11172718 | 911 | 500 | 815 | VOE 11173079 | 460 | 100 | 461 | VOE 11173227 | 924 | 100 | 865 | VOE 11173543 | 235 | 110 | 93 | VOE 11174143 | 827 | 100 | 667 |
| VOE 11172720 | 911 | 500 | 815 | VOE 11173083 | 911 | 200 | 799 | VOE 11173231 | 916 | 100 | 855 | VOE 11173569 | 924 | 100 | 865 | VOE 11174158 | 263 | 150 | 127 |
| VOE 11172722 | 911 | 550 | 817 | VOE 11173084 | 451 | 100 | 453 | VOE 11173232 | 916 | 100 | 857 | VOE 11173586 | 420 | 150 | 393 | VOE 11174177 | 897 | 100 | 779 |
| VOE 11172724 | 911 | 550 | 817 | VOE 11173084 | 451 | 250 | 459 | VOE 11173233 | 916 | 100 | 857 | VOE 11173599 | 420 | 150 | 393 | VOE 11174177 | 897 | 300 | 785 |
| VOE 11172781 | 234 | 100 | 83 | VOE 11173108 | 911 | 200 | 799 | VOE 11173234 | 916 | 100 | 857 | VOE 11173600 | 914 | 600 | 849 | VOE 11174208 | 821 | 150 | 629 |
| VOE 11172831 | 451 | 100 | 453 | VOE 11173116 | 436 | 100 | 451 | VOE 11173239 | 645 | 100 | 537 | VOE 11173600 | 924 | 100 | 867 | VOE 11174246 | 252 | 100 | 99 |
| VOE 11172831 | 451 | 150 | 455 | VOE 11173117 | 436 | 100 | 451 | VOE 11173249 | 647 | 100 | 559 | VOE 11173602 | 914 | 600 | 849 | VOE 11174251 | 823 | 150 | 649 |
| VOE 11172831 | 451 | 200 | 457 | VOE 11173124 | 371 | 750 | 253 | VOE 11173259 | 551 | 250 | 519 | VOE 11173602 | 924 | 100 | 867 | VOE 11174317 | 821 | 150 | 629 |
| VOE 11172851 | 911 | 250 | 801 | VOE 11173129 | 912 | 100 | 819 | VOE 11173290 | 420 | 250 | 401 | VOE 11173615 | 874 | 300 | 745 | VOE 11174317 | 821 | 160 | 633 |
| VOE 11172879 | 258 | 100 | 107 | VOE 11173158 | 263 | 250 | 133 | VOE 11173300 | 321 | 100 | 159 | VOE 11173641 | 924 | 250 | 875 | VOE 11174325 | 821 | 150 | 629 |
| VOE 11172882 | 261 | 200 | 113 | VOE 11173158 | 913 | 100 | 825 | VOE 11173308 | 263 | 125 | 125 | VOE 11173642 | 924 | 300 | 877 | VOE 11174325 | 821 | 160 | 633 |
| VOE 11172886 | 261 | 200 | 113 | VOE 11173159 | 913 | 100 | 825 | VOE 11173309 | 223 | 150 | 77 | VOE 11173643 | 924 | 300 | 877 | VOE 11174326 | 823 | 100 | 643 |
| VOE 11172889 | 252 | 100 | 99 | VOE 11173166 | 386 | 100 | 367 | VOE 11173310 | 647 | 100 | 557 | VOE 11173668 | 924 | 100 | 867 | VOE 11174326 | 823 | 110 | 647 |
| VOE 11172892 | 256 | 100 | 103 | VOE 11173166 | 468 | 150 | 485 | VOE 11173311 | 263 | 125 | 123 | VOE 11173685 | 223 | 150 | 79 | VOE 11174450 | 897 | 100 | 779 |

| | | | |
|------------------------------|-------------------------|-----------------------|-------------|
| NUMERICAL INDEX | INDICE DE NÚMERO | Catalogue id | Group |
| | | 20007 | 1000 |
| RÉPERTOIRE DE NUMÉROS | NUMMERREGISTER | Issue | Page |
| | | VOE 63D9920007 | 9 |
| NUMMERNREGISTER | | | |

| NUMERICAL INDEX | | | | INDICE DE NÚMERO | | | | Catalogue id | | | | Group | | | | | | | |
|-----------------------|-------|------|------|------------------|-------|------|------|----------------|-------|------|------|--------------|-------|------|------|--------------|-------|------|------|
| RÉPERTOIRE DE NUMÉROS | | | | NUMMERREGISTER | | | | 20007 | | | | 1000 | | | | | | | |
| NUMMERNREGISTER | | | | | | | | Issue | | | | Page | | | | | | | |
| NUMMERNREGISTER | | | | | | | | VOE 63D9920007 | | | | 10 | | | | | | | |
| Part No | Group | Sect | Page | Part No | Group | Sect | Page | Part No | Group | Sect | Page | Part No | Group | Sect | Page | Part No | Group | Sect | Page |
| VOE 11174450 | 897 | 300 | 785 | VOE 11174917 | 821 | 100 | 625 | VOE 11175923 | 827 | 100 | 667 | VOE 11177500 | 711 | 100 | 579 | VOE 11302220 | 269 | 250 | 139 |
| VOE 11174469 | 827 | 100 | 667 | VOE 11174954 | 827 | 100 | 667 | VOE 11175928 | 827 | 100 | 667 | VOE 11177655 | 945 | 250 | 889 | VOE 11400015 | 821 | 100 | 627 |
| VOE 11174470 | 827 | 100 | 667 | VOE 11175063 | 882 | 600 | 769 | VOE 11175956 | 263 | 100 | 121 | VOE 11180049 | 896 | 150 | 775 | VOE 11400018 | 823 | 150 | 649 |
| VOE 11174479 | 823 | 100 | 641 | VOE 11175150 | 823 | 100 | 641 | VOE 11175960 | 263 | 100 | 121 | VOE 11180050 | 896 | 150 | 775 | VOE 11400020 | 823 | 150 | 649 |
| VOE 11174479 | 823 | 110 | 645 | VOE 11175150 | 823 | 110 | 645 | VOE 11175961 | 263 | 100 | 121 | VOE 11180053 | 771 | 100 | 599 | VOE 11400022 | 823 | 150 | 649 |
| VOE 11174484 | 263 | 150 | 127 | VOE 11175207 | 823 | 150 | 649 | VOE 11176062 | 711 | 100 | 579 | VOE 11180170 | 771 | 100 | 599 | VOE 11400025 | 823 | 150 | 649 |
| VOE 11174533 | 371 | 800 | 255 | VOE 11175379 | 897 | 100 | 779 | VOE 11176217 | 716 | 150 | 595 | VOE 11180400 | 823 | 300 | 651 | VOE 11400027 | 823 | 150 | 649 |
| VOE 11174619 | 263 | 150 | 127 | VOE 11175379 | 897 | 300 | 785 | VOE 11176242 | 945 | 450 | 903 | VOE 11180407 | 715 | 100 | 581 | VOE 11400028 | 823 | 150 | 649 |
| VOE 11174676 | 821 | 100 | 623 | VOE 11175468 | 821 | 100 | 625 | VOE 11176245 | 945 | 450 | 903 | VOE 11180412 | 715 | 100 | 581 | VOE 11400033 | 897 | 150 | 781 |
| VOE 11174689 | 821 | 150 | 629 | VOE 11175472 | 821 | 150 | 629 | VOE 11176254 | 945 | 300 | 893 | VOE 11180416 | 715 | 100 | 581 | VOE 11400125 | 823 | 110 | 645 |
| VOE 11174690 | 821 | 150 | 629 | VOE 11175472 | 821 | 160 | 635 | VOE 11176255 | 945 | 300 | 893 | VOE 11180418 | 823 | 300 | 651 | VOE 11400126 | 825 | 100 | 653 |
| VOE 11174716 | 390 | 100 | 375 | VOE 11175609 | 826 | 100 | 657 | VOE 11176281 | 945 | 300 | 893 | VOE 11180419 | 823 | 300 | 651 | VOE 11400127 | 825 | 100 | 653 |
| VOE 11174720 | 390 | 100 | 375 | VOE 11175764 | 263 | 150 | 127 | VOE 11176383 | 945 | 150 | 883 | VOE 11180423 | 823 | 300 | 651 | VOE 11400128 | 826 | 100 | 657 |
| VOE 11174763 | 825 | 100 | 653 | VOE 11175803 | 827 | 100 | 667 | VOE 11176437 | 945 | 300 | 893 | VOE 11180441 | 823 | 300 | 651 | VOE 11400128 | 826 | 110 | 659 |
| VOE 11174763 | 826 | 110 | 659 | VOE 11175869 | 826 | 100 | 657 | VOE 11176456 | 715 | 250 | 587 | VOE 11180447 | 771 | 100 | 599 | VOE 11400128 | 826 | 120 | 663 |
| VOE 11174763 | 826 | 120 | 663 | VOE 11175869 | 826 | 110 | 659 | VOE 11176487 | 945 | 410 | 901 | VOE 11180501 | 860 | 300 | 713 | VOE 11400129 | 826 | 100 | 657 |
| VOE 11174764 | 825 | 100 | 653 | VOE 11175869 | 826 | 120 | 663 | VOE 11176539 | 645 | 150 | 543 | VOE 11180504 | 860 | 300 | 713 | VOE 11400129 | 826 | 110 | 659 |
| VOE 11174764 | 826 | 110 | 659 | VOE 11175875 | 821 | 150 | 629 | VOE 11176560 | 716 | 100 | 593 | VOE 11180505 | 256 | 100 | 103 | VOE 11400129 | 826 | 120 | 663 |
| VOE 11174764 | 826 | 120 | 663 | VOE 11175875 | 821 | 160 | 633 | VOE 11176716 | 645 | 150 | 543 | VOE 11180528 | 261 | 200 | 113 | VOE 11400130 | 826 | 100 | 657 |
| VOE 11174767 | 826 | 110 | 659 | VOE 11175876 | 821 | 150 | 629 | VOE 11176778 | 716 | 100 | 593 | VOE 11180565 | 945 | 700 | 909 | VOE 11400131 | 826 | 100 | 657 |
| VOE 11174767 | 826 | 120 | 663 | VOE 11175876 | 821 | 160 | 633 | VOE 11176801 | 945 | 350 | 897 | VOE 11180568 | 945 | 700 | 909 | VOE 11400138 | 825 | 100 | 653 |
| VOE 11174768 | 826 | 110 | 659 | VOE 11175881 | 821 | 170 | 637 | VOE 11176804 | 715 | 300 | 589 | VOE 11180572 | 945 | 700 | 909 | VOE 11400139 | 825 | 100 | 653 |
| VOE 11174768 | 826 | 120 | 663 | VOE 11175882 | 821 | 170 | 637 | VOE 11176815 | 371 | 1150 | 277 | VOE 11180573 | 945 | 700 | 909 | VOE 11400140 | 826 | 100 | 657 |
| VOE 11174773 | 825 | 100 | 653 | VOE 11175891 | 821 | 100 | 625 | VOE 11176847 | 993 | 450 | 913 | VOE 11180574 | 945 | 700 | 909 | VOE 11400140 | 826 | 110 | 659 |
| VOE 11174773 | 826 | 100 | 657 | VOE 11175891 | 823 | 100 | 641 | VOE 11176873 | 715 | 200 | 585 | VOE 11180604 | 715 | 400 | 591 | VOE 11400140 | 826 | 120 | 663 |
| VOE 11174773 | 826 | 110 | 659 | VOE 11175891 | 823 | 110 | 645 | VOE 11176895 | 711 | 100 | 579 | VOE 11180628 | 715 | 150 | 583 | VOE 11400141 | 826 | 100 | 657 |
| VOE 11174773 | 826 | 120 | 663 | VOE 11175892 | 821 | 100 | 625 | VOE 11176935 | 715 | 150 | 583 | VOE 11180657 | 256 | 100 | 103 | VOE 11400141 | 826 | 110 | 659 |
| VOE 11174774 | 825 | 100 | 653 | VOE 11175893 | 371 | 250 | 211 | VOE 11177025 | 945 | 450 | 903 | VOE 11180688 | 390 | 100 | 375 | VOE 11400141 | 826 | 120 | 663 |
| VOE 11174774 | 826 | 100 | 657 | VOE 11175898 | 823 | 100 | 641 | VOE 11177031 | 945 | 150 | 883 | VOE 11180702 | 261 | 200 | 113 | VOE 11400142 | 826 | 100 | 657 |
| VOE 11174774 | 826 | 110 | 659 | VOE 11175898 | 823 | 110 | 645 | VOE 11177036 | 711 | 100 | 579 | VOE 11182000 | 522 | 300 | 507 | VOE 11400143 | 826 | 100 | 657 |
| VOE 11174774 | 826 | 120 | 663 | VOE 11175910 | 823 | 100 | 641 | VOE 11177038 | 711 | 100 | 579 | VOE 11184401 | 372 | 100 | 295 | VOE 11400274 | 823 | 100 | 643 |
| VOE 11174821 | 263 | 150 | 127 | VOE 11175910 | 823 | 110 | 645 | VOE 11177246 | 716 | 100 | 593 | VOE 11184402 | 380 | 100 | 351 | VOE 11400274 | 823 | 110 | 647 |
| VOE 11174821 | 821 | 200 | 639 | VOE 11175912 | 821 | 100 | 625 | VOE 11177291 | 711 | 100 | 579 | VOE 11184402 | 380 | 125 | 355 | VOE 11400274 | 874 | 200 | 737 |
| VOE 11174871 | 821 | 100 | 627 | VOE 11175915 | 821 | 100 | 625 | VOE 11177299 | 716 | 100 | 593 | VOE 11201898 | 881 | 200 | 753 | VOE 11400276 | 874 | 200 | 737 |
| VOE 11174879 | 371 | 100 | 199 | VOE 11175920 | 821 | 100 | 627 | VOE 11177344 | 715 | 250 | 587 | VOE 11201899 | 881 | 200 | 753 | VOE 11400281 | 874 | 200 | 737 |

| Part No | Group | Sect | Page | Part No | Group | Sect | Page | Part No | Group | Sect | Page | Part No | Group | Sect | Page | Part No | Group | Sect | Page |
|--------------|-------|------|------|--------------|-------|------|------|--------------|-------|------|------|--------------|-------|------|------|--------------|-------|------|------|
| VOE 11400344 | 825 | 100 | 653 | VOE 11400930 | 352 | 100 | 171 | VOE 11410313 | 945 | 700 | 909 | VOE 11410760 | 420 | 250 | 401 | VOE 11413269 | 821 | 170 | 637 |
| VOE 11400462 | 821 | 160 | 635 | VOE 11400993 | 313 | 100 | 157 | VOE 11410315 | 647 | 200 | 563 | VOE 11410833 | 420 | 250 | 401 | VOE 11413287 | 825 | 150 | 655 |
| VOE 11400502 | 825 | 150 | 655 | VOE 11400994 | 313 | 100 | 157 | VOE 11410319 | 911 | 550 | 817 | VOE 11410859 | 715 | 400 | 591 | VOE 11413289 | 825 | 150 | 655 |
| VOE 11400503 | 825 | 150 | 655 | VOE 11400998 | 313 | 100 | 157 | VOE 11410320 | 911 | 550 | 817 | VOE 11410981 | 645 | 100 | 539 | VOE 11413300 | 821 | 100 | 623 |
| VOE 11400504 | 825 | 150 | 655 | VOE 11400999 | 313 | 100 | 157 | VOE 11410340 | 234 | 100 | 83 | VOE 11410982 | 645 | 100 | 537 | VOE 11413323 | 390 | 100 | 375 |
| VOE 11400520 | 823 | 100 | 641 | VOE 11410019 | 911 | 150 | 795 | VOE 11410346 | 914 | 700 | 851 | VOE 11411122 | 269 | 250 | 139 | VOE 11413327 | 371 | 250 | 213 |
| VOE 11400520 | 823 | 110 | 647 | VOE 11410033 | 912 | 300 | 823 | VOE 11410346 | 924 | 100 | 867 | VOE 11411155 | 269 | 250 | 139 | VOE 11413338 | 823 | 100 | 641 |
| VOE 11400521 | 823 | 110 | 647 | VOE 11410034 | 912 | 300 | 823 | VOE 11410350 | 660 | 100 | 565 | VOE 11413008 | 313 | 100 | 157 | VOE 11413338 | 823 | 110 | 645 |
| VOE 11400549 | 821 | 100 | 625 | VOE 11410040 | 916 | 100 | 855 | VOE 11410357 | 256 | 100 | 103 | VOE 11413022 | 826 | 110 | 659 | VOE 11413428 | 874 | 300 | 745 |
| VOE 11400553 | 823 | 100 | 641 | VOE 11410041 | 420 | 150 | 393 | VOE 11410363 | 491 | 100 | 489 | VOE 11413022 | 826 | 120 | 663 | VOE 11413464 | 821 | 160 | 633 |
| VOE 11400555 | 823 | 150 | 649 | VOE 11410057 | 261 | 200 | 113 | VOE 11410365 | 235 | 110 | 91 | VOE 11413023 | 826 | 110 | 659 | VOE 11413475 | 313 | 100 | 157 |
| VOE 11400579 | 263 | 300 | 135 | VOE 11410068 | 235 | 100 | 87 | VOE 11410370 | 258 | 100 | 107 | VOE 11413023 | 826 | 120 | 663 | VOE 11413476 | 313 | 100 | 157 |
| VOE 11400586 | 823 | 150 | 649 | VOE 11410068 | 235 | 110 | 91 | VOE 11410407 | 911 | 150 | 795 | VOE 11413059 | 823 | 110 | 645 | VOE 11413583 | 269 | 250 | 139 |
| VOE 11400589 | 823 | 100 | 641 | VOE 11410085 | 256 | 100 | 103 | VOE 11410418 | 525 | 100 | 515 | VOE 11413060 | 823 | 100 | 641 | VOE 11413650 | 874 | 300 | 743 |
| VOE 11400593 | 823 | 110 | 645 | VOE 11410091 | 256 | 100 | 103 | VOE 11410426 | 261 | 250 | 117 | VOE 11413060 | 823 | 110 | 645 | VOE 11413653 | 823 | 100 | 641 |
| VOE 11400605 | 826 | 110 | 659 | VOE 11410105 | 645 | 100 | 539 | VOE 11410428 | 261 | 250 | 117 | VOE 11413061 | 823 | 100 | 641 | VOE 11413653 | 823 | 110 | 645 |
| VOE 11400605 | 826 | 120 | 663 | VOE 11410133 | 261 | 100 | 109 | VOE 11410429 | 261 | 250 | 117 | VOE 11413061 | 823 | 110 | 645 | VOE 11413733 | 821 | 100 | 623 |
| VOE 11400621 | 353 | 200 | 183 | VOE 11410140 | 715 | 250 | 587 | VOE 11410445 | 261 | 250 | 117 | VOE 11413135 | 313 | 100 | 157 | VOE 11413742 | 313 | 100 | 157 |
| VOE 11400622 | 823 | 150 | 649 | VOE 11410142 | 715 | 250 | 587 | VOE 11410455 | 522 | 325 | 511 | VOE 11413138 | 825 | 150 | 655 | VOE 11413743 | 313 | 100 | 157 |
| VOE 11400632 | 263 | 150 | 127 | VOE 11410157 | 235 | 100 | 87 | VOE 11410456 | 522 | 325 | 511 | VOE 11413141 | 825 | 150 | 655 | VOE 11413746 | 821 | 200 | 639 |
| VOE 11400637 | 263 | 300 | 135 | VOE 11410190 | 217 | 150 | 67 | VOE 11410458 | 460 | 150 | 463 | VOE 11413175 | 821 | 150 | 631 | VOE 11413752 | 821 | 200 | 639 |
| VOE 11400639 | 263 | 300 | 135 | VOE 11410211 | 234 | 100 | 83 | VOE 11410464 | 874 | 150 | 735 | VOE 11413175 | 821 | 160 | 635 | VOE 11413754 | 821 | 200 | 639 |
| VOE 11400640 | 263 | 300 | 135 | VOE 11410229 | 522 | 325 | 511 | VOE 11410465 | 874 | 150 | 735 | VOE 11413190 | 874 | 300 | 743 | VOE 11413764 | 896 | 100 | 773 |
| VOE 11400658 | 263 | 150 | 127 | VOE 11410231 | 911 | 150 | 795 | VOE 11410467 | 911 | 150 | 795 | VOE 11413192 | 821 | 150 | 629 | VOE 11413775 | 826 | 110 | 659 |
| VOE 11400687 | 823 | 150 | 649 | VOE 11410235 | 911 | 150 | 797 | VOE 11410469 | 911 | 150 | 795 | VOE 11413194 | 821 | 150 | 629 | VOE 11413775 | 826 | 120 | 663 |
| VOE 11400717 | 821 | 160 | 633 | VOE 11410240 | 263 | 125 | 123 | VOE 11410470 | 911 | 150 | 795 | VOE 11413199 | 263 | 300 | 135 | VOE 11413776 | 826 | 110 | 659 |
| VOE 11400768 | 352 | 150 | 173 | VOE 11410241 | 263 | 125 | 123 | VOE 11410471 | 911 | 150 | 795 | VOE 11413225 | 821 | 150 | 629 | VOE 11413776 | 826 | 120 | 663 |
| VOE 11400816 | 821 | 200 | 639 | VOE 11410243 | 911 | 500 | 815 | VOE 11410472 | 911 | 150 | 797 | VOE 11413226 | 821 | 150 | 629 | VOE 11413815 | 821 | 160 | 633 |
| VOE 11400826 | 874 | 300 | 743 | VOE 11410248 | 911 | 400 | 811 | VOE 11410506 | 911 | 350 | 809 | VOE 11413232 | 826 | 110 | 659 | VOE 11413816 | 821 | 160 | 633 |
| VOE 11400879 | 823 | 100 | 641 | VOE 11410252 | 491 | 100 | 489 | VOE 11410510 | 911 | 350 | 809 | VOE 11413232 | 826 | 120 | 663 | VOE 11413819 | 263 | 100 | 121 |
| VOE 11400879 | 823 | 110 | 645 | VOE 11410255 | 911 | 200 | 799 | VOE 11410519 | 911 | 150 | 795 | VOE 11413233 | 826 | 110 | 659 | VOE 11413822 | 263 | 300 | 135 |
| VOE 11400885 | 823 | 100 | 641 | VOE 11410269 | 660 | 150 | 569 | VOE 11410633 | 491 | 100 | 489 | VOE 11413233 | 826 | 120 | 663 | VOE 11413823 | 263 | 300 | 135 |
| VOE 11400891 | 821 | 100 | 623 | VOE 11410310 | 911 | 500 | 815 | VOE 11410637 | 491 | 100 | 491 | VOE 11413247 | 821 | 150 | 631 | VOE 11413857 | 823 | 110 | 645 |
| VOE 11400920 | 897 | 100 | 779 | VOE 11410311 | 911 | 500 | 815 | VOE 11410639 | 916 | 150 | 861 | VOE 11413247 | 821 | 160 | 635 | VOE 11413857 | 823 | 150 | 649 |
| VOE 11400920 | 897 | 300 | 783 | VOE 11410312 | 945 | 700 | 909 | VOE 11410758 | 420 | 250 | 401 | VOE 11413256 | 821 | 100 | 623 | VOE 11413863 | 821 | 160 | 633 |

NUMERICAL INDEX
 RÉPERTOIRE DE NUMÉROS
 NUMMERNREGISTER

INDICE DE NÚMERO
 NUMMERREGISTER

| | |
|-----------------------|-------------|
| Catalogue id | Group |
| 20007 | 1000 |
| Issue | Page |
| VOE 63D9920007 | 11 |

| Part No | Group | Sect | Page | Part No | Group | Sect | Page | Part No | Group | Sect | Page | Part No | Group | Sect | Page | Part No | Group | Sect | Page |
|--------------|-------|------|------|--------------|-------|------|------|--------------|-------|------|------|--------------|-------|------|------|--------------|-------|------|------|
| VOE 11707347 | 852 | 250 | 699 | VOE 11707564 | 912 | 300 | 823 | VOE 11708271 | 271 | 100 | 141 | VOE 11709817 | 645 | 200 | 545 | VOE 11712705 | 912 | 100 | 819 |
| VOE 11707348 | 852 | 150 | 695 | VOE 11707578 | 263 | 200 | 131 | VOE 11708308 | 914 | 250 | 839 | VOE 11709826 | 212 | 100 | 51 | VOE 11712706 | 912 | 100 | 819 |
| VOE 11707348 | 852 | 200 | 697 | VOE 11707609 | 363 | 200 | 197 | VOE 11708377 | 256 | 150 | 105 | VOE 11709826 | 216 | 100 | 61 | VOE 11712707 | 912 | 100 | 819 |
| VOE 11707348 | 852 | 250 | 699 | VOE 11707766 | 874 | 350 | 747 | VOE 11708555 | 233 | 100 | 81 | VOE 11709829 | 945 | 500 | 905 | VOE 11712708 | 912 | 100 | 819 |
| VOE 11707348 | 852 | 450 | 707 | VOE 11707767 | 874 | 350 | 747 | VOE 11708742 | 913 | 150 | 827 | VOE 11709832 | 945 | 550 | 907 | VOE 11712709 | 912 | 100 | 819 |
| VOE 11707349 | 852 | 250 | 699 | VOE 11707768 | 874 | 350 | 747 | VOE 11708744 | 913 | 150 | 827 | VOE 11709837 | 924 | 100 | 865 | VOE 11712710 | 912 | 100 | 819 |
| VOE 11707350 | 852 | 250 | 699 | VOE 11707861 | 371 | 1150 | 277 | VOE 11708748 | 913 | 150 | 827 | VOE 11709838 | 924 | 100 | 865 | VOE 11712711 | 912 | 100 | 819 |
| VOE 11707351 | 852 | 150 | 695 | VOE 11707888 | 263 | 200 | 131 | VOE 11708753 | 913 | 200 | 829 | VOE 11709839 | 924 | 100 | 865 | VOE 11712712 | 912 | 100 | 819 |
| VOE 11707351 | 852 | 200 | 697 | VOE 11707889 | 263 | 200 | 131 | VOE 11708754 | 913 | 200 | 829 | VOE 11709854 | 913 | 150 | 827 | VOE 11712731 | 882 | 150 | 757 |
| VOE 11707351 | 852 | 250 | 699 | VOE 11707890 | 263 | 200 | 131 | VOE 11708755 | 913 | 200 | 829 | VOE 11709855 | 913 | 150 | 827 | VOE 11712732 | 882 | 150 | 757 |
| VOE 11707351 | 852 | 450 | 707 | VOE 11707891 | 263 | 200 | 131 | VOE 11708826 | 914 | 250 | 839 | VOE 11709856 | 913 | 150 | 827 | VOE 11712751 | 882 | 150 | 757 |
| VOE 11707352 | 852 | 200 | 697 | VOE 11707892 | 263 | 200 | 131 | VOE 11708827 | 914 | 250 | 839 | VOE 11709857 | 913 | 150 | 827 | VOE 11712846 | 234 | 100 | 83 |
| VOE 11707354 | 852 | 200 | 697 | VOE 11707893 | 263 | 200 | 131 | VOE 11708889 | 321 | 150 | 161 | VOE 11709859 | 913 | 150 | 827 | VOE 11712847 | 234 | 100 | 83 |
| VOE 11707355 | 852 | 150 | 695 | VOE 11707895 | 263 | 200 | 131 | VOE 11708910 | 852 | 300 | 701 | VOE 11709860 | 913 | 150 | 827 | VOE 11713095 | 362 | 200 | 189 |
| VOE 11707355 | 852 | 200 | 697 | VOE 11707896 | 263 | 200 | 131 | VOE 11708910 | 852 | 350 | 703 | VOE 11709861 | 912 | 300 | 823 | VOE 11713148 | 912 | 100 | 819 |
| VOE 11707355 | 852 | 450 | 707 | VOE 11707897 | 263 | 200 | 131 | VOE 11708930 | 468 | 150 | 485 | VOE 11709879 | 386 | 100 | 367 | VOE 11713512 | 924 | 200 | 873 |
| VOE 11707356 | 852 | 150 | 695 | VOE 11708026 | 371 | 1150 | 277 | VOE 11708930 | 551 | 250 | 519 | VOE 11709879 | 912 | 300 | 823 | VOE 11713513 | 924 | 200 | 873 |
| VOE 11707356 | 852 | 200 | 697 | VOE 11708082 | 913 | 200 | 829 | VOE 11708930 | 924 | 100 | 867 | VOE 11709880 | 912 | 300 | 823 | VOE 11713533 | 914 | 400 | 845 |
| VOE 11707356 | 852 | 450 | 707 | VOE 11708084 | 913 | 200 | 829 | VOE 11708944 | 841 | 100 | 677 | VOE 11709881 | 912 | 300 | 823 | VOE 11713565 | 924 | 200 | 871 |
| VOE 11707357 | 852 | 150 | 695 | VOE 11708087 | 913 | 200 | 829 | VOE 11708945 | 841 | 100 | 677 | VOE 11709882 | 912 | 300 | 823 | VOE 11713567 | 641 | 200 | 533 |
| VOE 11707358 | 852 | 150 | 695 | VOE 11708129 | 913 | 200 | 829 | VOE 11708993 | 924 | 150 | 869 | VOE 11709883 | 912 | 300 | 823 | VOE 11713568 | 924 | 200 | 871 |
| VOE 11707358 | 852 | 200 | 697 | VOE 11708162 | 421 | 550 | 439 | VOE 11708996 | 451 | 150 | 455 | VOE 11709884 | 912 | 300 | 823 | VOE 11713569 | 924 | 200 | 871 |
| VOE 11707359 | 852 | 150 | 695 | VOE 11708173 | 872 | 150 | 723 | VOE 11708996 | 451 | 200 | 457 | VOE 11709961 | 993 | 450 | 913 | VOE 11713571 | 641 | 200 | 533 |
| VOE 11707359 | 852 | 450 | 707 | VOE 11708188 | 852 | 200 | 697 | VOE 11708996 | 451 | 250 | 459 | VOE 11711958 | 874 | 250 | 739 | VOE 11713572 | 924 | 200 | 871 |
| VOE 11707360 | 852 | 200 | 697 | VOE 11708188 | 852 | 250 | 699 | VOE 11709012 | 451 | 250 | 459 | VOE 11712222 | 451 | 150 | 455 | VOE 11713574 | 641 | 200 | 533 |
| VOE 11707361 | 852 | 200 | 697 | VOE 11708215 | 831 | 150 | 671 | VOE 11709110 | 924 | 150 | 869 | VOE 11712222 | 451 | 200 | 457 | VOE 11713576 | 924 | 200 | 871 |
| VOE 11707362 | 852 | 450 | 707 | VOE 11708215 | 843 | 200 | 685 | VOE 11709111 | 924 | 150 | 869 | VOE 11712222 | 451 | 250 | 459 | VOE 11713577 | 924 | 200 | 871 |
| VOE 11707370 | 993 | 100 | 911 | VOE 11708231 | 913 | 200 | 829 | VOE 11709423 | 852 | 250 | 699 | VOE 11712312 | 912 | 100 | 819 | VOE 11713579 | 924 | 200 | 871 |
| VOE 11707371 | 993 | 100 | 911 | VOE 11708246 | 421 | 150 | 411 | VOE 11709583 | 271 | 100 | 141 | VOE 11712358 | 912 | 100 | 819 | VOE 11713580 | 641 | 200 | 533 |
| VOE 11707375 | 993 | 450 | 913 | VOE 11708251 | 913 | 150 | 827 | VOE 11709584 | 271 | 100 | 141 | VOE 11712379 | 210 | 50 | 41 | VOE 11713581 | 924 | 200 | 873 |
| VOE 11707381 | 993 | 100 | 911 | VOE 11708257 | 913 | 200 | 829 | VOE 11709585 | 271 | 100 | 141 | VOE 11712379 | 210 | 50 | 43 | VOE 11713582 | 924 | 200 | 873 |
| VOE 11707381 | 993 | 450 | 913 | VOE 11708267 | 271 | 100 | 141 | VOE 11709633 | 386 | 100 | 367 | VOE 11712380 | 210 | 50 | 41 | VOE 11713584 | 924 | 200 | 873 |
| VOE 11707384 | 993 | 100 | 911 | VOE 11708268 | 271 | 100 | 141 | VOE 11709633 | 912 | 300 | 823 | VOE 11712500 | 645 | 450 | 555 | VOE 11713597 | 924 | 300 | 877 |
| VOE 11707439 | 371 | 1150 | 277 | VOE 11708270 | 271 | 100 | 141 | VOE 11709637 | 647 | 150 | 561 | VOE 11712703 | 912 | 100 | 819 | VOE 11713598 | 924 | 300 | 877 |
| VOE 11707439 | 993 | 100 | 911 | VOE 11708270 | 386 | 150 | 369 | VOE 11709718 | 914 | 100 | 831 | VOE 11712704 | 912 | 100 | 819 | VOE 11713599 | 924 | 300 | 877 |

| | | | |
|------------------------------|-------------------------|----------------|-------------|
| NUMERICAL INDEX | INDICE DE NÚMERO | Catalogue id | Group |
| RÉPERTOIRE DE NUMÉROS | NUMMERREGISTER | 20007 | 1000 |
| NUMMERNREGISTER | | Issue | Page |
| | | VOE 63D9920007 | 13 |

VOLVO

L90E

| NUMERICAL INDEX | | | | INDICE DE NÚMERO | | | | | | | | Catalogue id 20007 | | Group 1000 | | | | | |
|-----------------------|-------|------|------|------------------|-------|------|------|--------------|-------|------|------|--------------------------------|-------|----------------------|------|--------------|-------|------|------|
| RÉPERTOIRE DE NUMÉROS | | | | NUMMERREGISTER | | | | | | | | Issue VOE 63D9920007 | | Page 14 | | | | | |
| NUMMERNREGISTER | | | | | | | | | | | | | | | | | | | |
| Part No | Group | Sect | Page | Part No | Group | Sect | Page | Part No | Group | Sect | Page | Part No | Group | Sect | Page | Part No | Group | Sect | Page |
| VOE 11713600 | 924 | 300 | 877 | VOE 11991048 | 914 | 250 | 839 | VOE 11996180 | 660 | 150 | 569 | VOE 11996418 | 852 | 350 | 703 | VOE 11998619 | 852 | 300 | 701 |
| VOE 11713601 | 924 | 300 | 879 | VOE 11991049 | 914 | 250 | 839 | VOE 11996181 | 660 | 150 | 569 | VOE 11996419 | 852 | 300 | 701 | VOE 11998619 | 852 | 350 | 703 |
| VOE 11713604 | 924 | 300 | 877 | VOE 11991316 | 914 | 250 | 839 | VOE 11996183 | 660 | 150 | 569 | VOE 11996419 | 852 | 350 | 703 | VOE 11998620 | 852 | 350 | 703 |
| VOE 11713605 | 924 | 300 | 877 | VOE 11991319 | 914 | 250 | 841 | VOE 11996184 | 660 | 150 | 569 | VOE 11996421 | 852 | 350 | 703 | VOE 11998621 | 852 | 350 | 703 |
| VOE 11713606 | 924 | 300 | 877 | VOE 11991321 | 914 | 250 | 841 | VOE 11996185 | 660 | 150 | 569 | VOE 11997155 | 913 | 150 | 827 | VOE 11998622 | 852 | 350 | 703 |
| VOE 11713607 | 924 | 300 | 877 | VOE 11991323 | 914 | 250 | 839 | VOE 11996190 | 660 | 150 | 569 | VOE 11997156 | 913 | 150 | 827 | VOE 11998811 | 852 | 150 | 695 |
| VOE 11713608 | 924 | 300 | 879 | VOE 11991396 | 234 | 100 | 83 | VOE 11996191 | 660 | 150 | 569 | VOE 11997157 | 913 | 150 | 827 | VOE 11998811 | 852 | 200 | 697 |
| VOE 11713609 | 924 | 300 | 879 | VOE 11992216 | 371 | 1000 | 269 | VOE 11996192 | 660 | 150 | 569 | VOE 11997186 | 414 | 100 | 387 | VOE 11998811 | 852 | 250 | 699 |
| VOE 11713611 | 924 | 300 | 879 | VOE 11992315 | 873 | 150 | 731 | VOE 11996193 | 660 | 150 | 569 | VOE 11997187 | 414 | 100 | 387 | VOE 11998811 | 852 | 450 | 707 |
| VOE 11713718 | 434 | 200 | 449 | VOE 11992817 | 263 | 200 | 131 | VOE 11996194 | 660 | 150 | 569 | VOE 11997242 | 371 | 850 | 257 | VOE 11998831 | 852 | 250 | 699 |
| VOE 11713825 | 269 | 250 | 139 | VOE 11992833 | 913 | 200 | 829 | VOE 11996195 | 660 | 150 | 569 | VOE 11997242 | 371 | 1400 | 281 | VOE 11998842 | 852 | 250 | 699 |
| VOE 11713966 | 924 | 200 | 871 | VOE 11993070 | 911 | 150 | 795 | VOE 11996198 | 660 | 150 | 569 | VOE 11997242 | 380 | 200 | 363 | VOE 11998863 | 913 | 200 | 829 |
| VOE 11713967 | 924 | 200 | 871 | VOE 11993178 | 852 | 250 | 699 | VOE 11996200 | 660 | 150 | 571 | VOE 11997242 | 882 | 550 | 765 | VOE 11999242 | 645 | 400 | 553 |
| VOE 11713968 | 924 | 200 | 871 | VOE 11993255 | 924 | 300 | 877 | VOE 11996202 | 660 | 150 | 569 | VOE 11997242 | 882 | 600 | 771 | VOE 11999976 | 516 | 100 | 499 |
| VOE 11714037 | 924 | 300 | 877 | VOE 11993256 | 924 | 300 | 877 | VOE 11996203 | 660 | 150 | 569 | VOE 11997265 | 852 | 250 | 699 | VOE 11999976 | 517 | 100 | 501 |
| VOE 11714080 | 916 | 150 | 861 | VOE 11993451 | 645 | 400 | 553 | VOE 11996206 | 660 | 150 | 569 | VOE 11997279 | 371 | 1150 | 277 | VOE 12003786 | 363 | 100 | 193 |
| VOE 11714081 | 916 | 150 | 861 | VOE 11993452 | 645 | 400 | 553 | VOE 11996207 | 660 | 150 | 569 | VOE 11997560 | 371 | 1000 | 269 | VOE 120291 | 421 | 200 | 415 |
| VOE 11714081 | 916 | 200 | 863 | VOE 11993637 | 468 | 150 | 485 | VOE 11996337 | 843 | 150 | 683 | VOE 11997604 | 882 | 550 | 765 | VOE 120618 | 825 | 150 | 655 |
| VOE 11714082 | 916 | 150 | 861 | VOE 11993637 | 551 | 250 | 519 | VOE 11996338 | 843 | 150 | 683 | VOE 11998151 | 914 | 250 | 839 | VOE 120789 | 873 | 150 | 731 |
| VOE 11714196 | 371 | 1150 | 277 | VOE 11993637 | 924 | 100 | 867 | VOE 11996362 | 645 | 400 | 553 | VOE 11998208 | 363 | 100 | 193 | VOE 1211599 | 873 | 150 | 731 |
| VOE 11714517 | 924 | 200 | 871 | VOE 11994043 | 911 | 150 | 795 | VOE 11996374 | 645 | 400 | 553 | VOE 11998442 | 525 | 100 | 515 | VOE 1212770 | 380 | 150 | 359 |
| VOE 11714518 | 924 | 200 | 871 | VOE 11994275 | 551 | 250 | 519 | VOE 11996407 | 852 | 300 | 701 | VOE 11998550 | 852 | 150 | 695 | VOE 1212859 | 380 | 100 | 351 |
| VOE 11714519 | 924 | 200 | 873 | VOE 11994393 | 914 | 250 | 839 | VOE 11996407 | 852 | 350 | 703 | VOE 11998550 | 852 | 200 | 697 | VOE 1212859 | 380 | 125 | 355 |
| VOE 11885603 | 881 | 200 | 753 | VOE 11994428 | 645 | 450 | 555 | VOE 11996409 | 852 | 300 | 701 | VOE 11998550 | 852 | 450 | 707 | VOE 1212859 | 380 | 150 | 359 |
| VOE 1189577 | 234 | 100 | 83 | VOE 11994455 | 872 | 250 | 727 | VOE 11996409 | 852 | 350 | 703 | VOE 11998561 | 852 | 200 | 697 | VOE 1224102 | 380 | 150 | 359 |
| VOE 11988200 | 352 | 100 | 171 | VOE 11994456 | 872 | 250 | 727 | VOE 11996410 | 852 | 300 | 701 | VOE 11998561 | 852 | 250 | 699 | VOE 1234417 | 379 | 300 | 321 |
| VOE 11988201 | 352 | 100 | 171 | VOE 11994483 | 362 | 200 | 189 | VOE 11996411 | 852 | 300 | 701 | VOE 11998573 | 645 | 450 | 555 | VOE 1258140 | 363 | 200 | 197 |
| VOE 11988202 | 352 | 100 | 171 | VOE 11994484 | 362 | 200 | 189 | VOE 11996411 | 852 | 350 | 703 | VOE 11998613 | 852 | 300 | 701 | VOE 1258140 | 810 | 200 | 619 |
| VOE 11988207 | 645 | 400 | 553 | VOE 11994509 | 645 | 450 | 555 | VOE 11996412 | 852 | 300 | 701 | VOE 11998614 | 852 | 300 | 701 | VOE 1258140 | 837 | 200 | 675 |
| VOE 11988218 | 269 | 150 | 137 | VOE 11996067 | 872 | 250 | 727 | VOE 11996412 | 852 | 350 | 703 | VOE 11998615 | 852 | 300 | 701 | VOE 1258492 | 380 | 150 | 359 |
| VOE 11988386 | 843 | 150 | 683 | VOE 11996163 | 852 | 150 | 695 | VOE 11996416 | 852 | 300 | 701 | VOE 11998615 | 852 | 350 | 703 | VOE 1259727 | 371 | 100 | 199 |
| VOE 11988543 | 924 | 150 | 869 | VOE 11996163 | 852 | 200 | 697 | VOE 11996416 | 852 | 350 | 703 | VOE 11998617 | 852 | 300 | 701 | VOE 1259828 | 379 | 700 | 337 |
| VOE 11988661 | 269 | 250 | 139 | VOE 11996177 | 660 | 150 | 569 | VOE 11996417 | 852 | 300 | 701 | VOE 11998617 | 852 | 350 | 703 | VOE 1259829 | 379 | 700 | 337 |
| VOE 11990625 | 924 | 250 | 875 | VOE 11996178 | 660 | 150 | 569 | VOE 11996417 | 852 | 350 | 703 | VOE 11998618 | 852 | 300 | 701 | VOE 1259830 | 371 | 550 | 239 |
| VOE 11991047 | 914 | 250 | 839 | VOE 11996179 | 660 | 150 | 569 | VOE 11996418 | 852 | 300 | 701 | VOE 11998618 | 852 | 350 | 703 | VOE 1259830 | 379 | 700 | 337 |

| Part No | Group | Sect | Page | Part No | Group | Sect | Page | Part No | Group | Sect | Page | Part No | Group | Sect | Page | Part No | Group | Sect | Page |
|--------------|-------|------|------|--------------|-------|------|------|--------------|-------|------|------|--------------|-------|------|------|--------------|-------|------|------|
| VOE 1259831 | 379 | 700 | 337 | VOE 13914468 | 645 | 150 | 543 | VOE 13933877 | 217 | 150 | 67 | VOE 13933935 | 223 | 150 | 77 | VOE 13941793 | 645 | 150 | 543 |
| VOE 1259854 | 371 | 600 | 241 | VOE 13930447 | 860 | 125 | 709 | VOE 13933878 | 263 | 125 | 123 | VOE 13933936 | 522 | 300 | 509 | VOE 13941907 | 421 | 400 | 431 |
| VOE 1269755 | 379 | 400 | 327 | VOE 13930449 | 641 | 100 | 529 | VOE 13933878 | 645 | 300 | 547 | VOE 13933936 | 551 | 250 | 521 | VOE 13941907 | 421 | 500 | 435 |
| VOE 1275379 | 420 | 150 | 393 | VOE 13930456 | 641 | 100 | 529 | VOE 13933878 | 660 | 100 | 565 | VOE 13933936 | 911 | 350 | 809 | VOE 13941907 | 468 | 100 | 483 |
| VOE 1304841 | 363 | 200 | 197 | VOE 13930888 | 460 | 100 | 461 | VOE 13933881 | 660 | 100 | 565 | VOE 13933936 | 924 | 300 | 877 | VOE 13941907 | 645 | 200 | 545 |
| VOE 1307035 | 379 | 700 | 337 | VOE 13931675 | 716 | 150 | 595 | VOE 13933882 | 924 | 250 | 875 | VOE 13933987 | 914 | 200 | 837 | VOE 13941907 | 831 | 150 | 673 |
| VOE 1307048 | 371 | 300 | 217 | VOE 13932775 | 421 | 200 | 413 | VOE 13933883 | 660 | 100 | 565 | VOE 13935000 | 897 | 100 | 779 | VOE 13941935 | 379 | 200 | 319 |
| VOE 1307048 | 371 | 600 | 241 | VOE 13933484 | 911 | 200 | 799 | VOE 13933887 | 468 | 150 | 485 | VOE 13935000 | 897 | 300 | 783 | VOE 13942672 | 873 | 150 | 731 |
| VOE 1307048 | 371 | 1700 | 291 | VOE 13933853 | 223 | 150 | 77 | VOE 13933897 | 647 | 100 | 557 | VOE 13935000 | 924 | 200 | 873 | VOE 13943472 | 261 | 250 | 117 |
| VOE 1307048 | 379 | 700 | 337 | VOE 13933853 | 263 | 125 | 123 | VOE 13933897 | 914 | 600 | 847 | VOE 13935001 | 897 | 100 | 779 | VOE 13943472 | 460 | 150 | 463 |
| VOE 1307049 | 371 | 200 | 207 | VOE 13933853 | 522 | 100 | 503 | VOE 13933897 | 924 | 100 | 865 | VOE 13935001 | 897 | 300 | 783 | VOE 13943472 | 873 | 100 | 729 |
| VOE 1307049 | 371 | 300 | 217 | VOE 13933853 | 647 | 100 | 557 | VOE 13933900 | 468 | 150 | 487 | VOE 13935003 | 874 | 300 | 743 | VOE 13943474 | 256 | 100 | 103 |
| VOE 1307049 | 371 | 400 | 225 | VOE 13933853 | 647 | 100 | 559 | VOE 13933900 | 551 | 250 | 519 | VOE 13935003 | 897 | 100 | 779 | VOE 13943474 | 420 | 300 | 405 |
| VOE 1307049 | 371 | 700 | 251 | VOE 13933853 | 911 | 350 | 809 | VOE 13933900 | 916 | 100 | 857 | VOE 13935003 | 897 | 300 | 783 | VOE 13943474 | 873 | 150 | 731 |
| VOE 1307049 | 371 | 800 | 255 | VOE 13933855 | 263 | 125 | 125 | VOE 13933900 | 924 | 300 | 879 | VOE 13935004 | 897 | 100 | 779 | VOE 13943987 | 421 | 200 | 413 |
| VOE 1307049 | 371 | 1700 | 291 | VOE 13933855 | 420 | 150 | 395 | VOE 13933905 | 660 | 100 | 567 | VOE 13935004 | 897 | 300 | 783 | VOE 13944075 | 420 | 300 | 403 |
| VOE 1307049 | 379 | 700 | 337 | VOE 13933855 | 468 | 150 | 487 | VOE 13933905 | 911 | 300 | 805 | VOE 13935007 | 897 | 100 | 779 | VOE 13944075 | 420 | 300 | 405 |
| VOE 1307049 | 393 | 100 | 377 | VOE 13933855 | 522 | 100 | 503 | VOE 13933905 | 914 | 600 | 847 | VOE 13935007 | 897 | 300 | 783 | VOE 13944075 | 420 | 310 | 407 |
| VOE 1307052 | 379 | 500 | 331 | VOE 13933855 | 647 | 100 | 557 | VOE 13933906 | 916 | 100 | 857 | VOE 13940090 | 269 | 250 | 139 | VOE 13944221 | 371 | 850 | 257 |
| VOE 1307600 | 371 | 500 | 229 | VOE 13933855 | 911 | 350 | 809 | VOE 13933907 | 916 | 100 | 855 | VOE 13940090 | 371 | 900 | 261 | VOE 13944221 | 371 | 875 | 259 |
| VOE 1307600 | 371 | 525 | 233 | VOE 13933855 | 914 | 100 | 831 | VOE 13933910 | 916 | 100 | 855 | VOE 13940090 | 371 | 1050 | 271 | VOE 13944221 | 379 | 300 | 321 |
| VOE 1307600 | 371 | 550 | 237 | VOE 13933855 | 916 | 100 | 857 | VOE 13933912 | 916 | 100 | 857 | VOE 13940090 | 372 | 100 | 295 | VOE 13944221 | 882 | 600 | 769 |
| VOE 1307600 | 379 | 800 | 341 | VOE 13933856 | 522 | 300 | 509 | VOE 13933913 | 468 | 150 | 485 | VOE 13940090 | 715 | 300 | 589 | VOE 13944226 | 379 | 500 | 331 |
| VOE 1308436 | 379 | 700 | 337 | VOE 13933859 | 647 | 100 | 559 | VOE 13933913 | 468 | 150 | 487 | VOE 13940090 | 843 | 200 | 685 | VOE 13945357 | 882 | 600 | 769 |
| VOE 1323485 | 321 | 150 | 161 | VOE 13933865 | 522 | 300 | 509 | VOE 13933913 | 924 | 100 | 865 | VOE 13940090 | 872 | 150 | 723 | VOE 13945407 | 371 | 600 | 241 |
| VOE 1323485 | 321 | 200 | 163 | VOE 13933867 | 263 | 125 | 123 | VOE 13933914 | 645 | 100 | 535 | VOE 13940090 | 945 | 150 | 883 | VOE 13945407 | 393 | 100 | 377 |
| VOE 1334720 | 831 | 150 | 671 | VOE 13933869 | 647 | 100 | 559 | VOE 13933914 | 647 | 100 | 557 | VOE 13940090 | 945 | 200 | 885 | VOE 13945407 | 660 | 100 | 565 |
| VOE 1343040 | 881 | 200 | 753 | VOE 13933870 | 645 | 300 | 547 | VOE 13933915 | 924 | 200 | 873 | VOE 13940090 | 945 | 200 | 887 | VOE 13945407 | 821 | 100 | 625 |
| VOE 1347010 | 371 | 600 | 241 | VOE 13933871 | 645 | 100 | 535 | VOE 13933915 | 924 | 250 | 875 | VOE 13940090 | 945 | 250 | 889 | VOE 13945407 | 823 | 100 | 641 |
| VOE 1347010 | 386 | 150 | 373 | VOE 13933871 | 645 | 100 | 537 | VOE 13933915 | 924 | 300 | 877 | VOE 13940090 | 945 | 300 | 893 | VOE 13945407 | 823 | 110 | 645 |
| VOE 1355535 | 831 | 150 | 671 | VOE 13933871 | 645 | 300 | 547 | VOE 13933917 | 645 | 300 | 549 | VOE 13940090 | 945 | 350 | 897 | VOE 13945407 | 843 | 100 | 681 |
| VOE 1362710 | 321 | 150 | 161 | VOE 13933871 | 645 | 300 | 549 | VOE 13933917 | 660 | 100 | 565 | VOE 13940097 | 380 | 100 | 351 | VOE 13945407 | 865 | 100 | 715 |
| VOE 1362710 | 321 | 200 | 163 | VOE 13933871 | 660 | 100 | 565 | VOE 13933922 | 263 | 125 | 123 | VOE 13940097 | 380 | 125 | 355 | VOE 13945407 | 872 | 200 | 725 |
| VOE 1384583 | 881 | 200 | 753 | VOE 13933872 | 645 | 300 | 549 | VOE 13933923 | 911 | 350 | 809 | VOE 13940109 | 380 | 150 | 359 | VOE 13945407 | 874 | 250 | 739 |
| VOE 13907851 | 263 | 150 | 127 | VOE 13933875 | 924 | 300 | 877 | VOE 13933927 | 647 | 100 | 557 | VOE 13941747 | 914 | 400 | 845 | VOE 13945407 | 881 | 150 | 751 |

NUMERICAL INDEX
RÉPERTOIRE DE NUMÉROS
NUMMERREGISTER

INDICE DE NÚMERO
NUMMERREGISTER

| | |
|--------------------------------|----------------------|
| Catalogue id 20007 | Group 1000 |
| Issue VOE 63D9920007 | Page 15 |

VOLVO

L90E

| NUMERICAL INDEX | | | | INDICE DE NÚMERO | | | | Catalogue id | | | | Group | | | | | | | |
|-----------------------|-------|------|------|------------------|-------|------|------|----------------|-------|------|------|--------------|-------|------|------|--------------|-----|-----|-----|
| RÉPERTOIRE DE NUMÉROS | | | | NUMMERREGISTER | | | | 20007 | | | | 1000 | | | | | | | |
| NUMMERNREGISTER | | | | | | | | Issue | | | | Page | | | | | | | |
| | | | | | | | | VOE 63D9920007 | | | | 16 | | | | | | | |
| Part No | Group | Sect | Page | Part No | Group | Sect | Page | Part No | Group | Sect | Page | Part No | Group | Sect | Page | | | | |
| VOE 13945407 | 914 | 200 | 837 | VOE 13945444 | 371 | 750 | 253 | VOE 13946173 | 333 | 100 | 169 | VOE 13946474 | 911 | 400 | 811 | VOE 13947459 | 379 | 200 | 319 |
| VOE 13945408 | 223 | 150 | 77 | VOE 13945444 | 390 | 100 | 375 | VOE 13946173 | 352 | 150 | 173 | VOE 13946474 | 924 | 200 | 871 | VOE 13947542 | 421 | 450 | 433 |
| VOE 13945408 | 235 | 100 | 87 | VOE 13945444 | 421 | 500 | 435 | VOE 13946173 | 353 | 200 | 183 | VOE 13946544 | 371 | 250 | 211 | VOE 13947542 | 516 | 100 | 499 |
| VOE 13945408 | 235 | 110 | 91 | VOE 13945444 | 525 | 100 | 515 | VOE 13946173 | 371 | 200 | 207 | VOE 13946544 | 371 | 1050 | 271 | VOE 13947542 | 517 | 100 | 501 |
| VOE 13945408 | 252 | 100 | 99 | VOE 13945444 | 551 | 250 | 519 | VOE 13946173 | 371 | 250 | 211 | VOE 13946544 | 390 | 100 | 375 | VOE 13947542 | 715 | 300 | 589 |
| VOE 13945408 | 256 | 100 | 103 | VOE 13945444 | 645 | 100 | 539 | VOE 13946173 | 371 | 350 | 221 | VOE 13946544 | 421 | 200 | 415 | VOE 13947542 | 852 | 400 | 705 |
| VOE 13945408 | 261 | 200 | 113 | VOE 13945444 | 645 | 300 | 547 | VOE 13946173 | 371 | 400 | 225 | VOE 13946544 | 821 | 100 | 627 | VOE 13947542 | 874 | 250 | 739 |
| VOE 13945408 | 261 | 250 | 117 | VOE 13945444 | 810 | 150 | 615 | VOE 13946173 | 371 | 750 | 253 | VOE 13946544 | 823 | 300 | 651 | VOE 13947621 | 210 | 50 | 41 |
| VOE 13945408 | 263 | 100 | 121 | VOE 13945444 | 874 | 300 | 745 | VOE 13946173 | 371 | 800 | 255 | VOE 13946544 | 914 | 200 | 837 | VOE 13947621 | 210 | 50 | 43 |
| VOE 13945408 | 313 | 100 | 157 | VOE 13945444 | 911 | 150 | 795 | VOE 13946173 | 371 | 950 | 263 | VOE 13946556 | 379 | 800 | 341 | VOE 13947621 | 212 | 100 | 51 |
| VOE 13945408 | 352 | 150 | 173 | VOE 13945444 | 924 | 100 | 865 | VOE 13946173 | 371 | 950 | 265 | VOE 13946602 | 235 | 110 | 91 | VOE 13947621 | 215 | 100 | 59 |
| VOE 13945408 | 371 | 200 | 207 | VOE 13945461 | 874 | 250 | 739 | VOE 13946173 | 371 | 1100 | 275 | VOE 13946640 | 379 | 400 | 327 | VOE 13947621 | 223 | 100 | 73 |
| VOE 13945408 | 371 | 350 | 221 | VOE 13945544 | 313 | 100 | 157 | VOE 13946173 | 420 | 150 | 393 | VOE 13946752 | 252 | 100 | 99 | VOE 13947621 | 255 | 100 | 101 |
| VOE 13945408 | 371 | 400 | 225 | VOE 13945568 | 460 | 150 | 463 | VOE 13946173 | 468 | 150 | 485 | VOE 13946752 | 421 | 150 | 411 | VOE 13947621 | 371 | 150 | 203 |
| VOE 13945408 | 371 | 800 | 255 | VOE 13945653 | 371 | 950 | 265 | VOE 13946173 | 641 | 100 | 529 | VOE 13946752 | 911 | 500 | 815 | VOE 13947622 | 210 | 50 | 43 |
| VOE 13945408 | 421 | 500 | 437 | VOE 13945653 | 420 | 250 | 401 | VOE 13946173 | 660 | 100 | 565 | VOE 13946752 | 916 | 100 | 855 | VOE 13947622 | 223 | 100 | 73 |
| VOE 13945408 | 641 | 100 | 529 | VOE 13945653 | 522 | 100 | 503 | VOE 13946173 | 715 | 250 | 587 | VOE 13946752 | 916 | 100 | 857 | VOE 13947622 | 468 | 100 | 483 |
| VOE 13945408 | 823 | 100 | 643 | VOE 13945653 | 522 | 300 | 507 | VOE 13946173 | 715 | 300 | 589 | VOE 13946817 | 911 | 550 | 817 | VOE 13947624 | 461 | 100 | 465 |
| VOE 13945408 | 823 | 110 | 647 | VOE 13945653 | 527 | 200 | 517 | VOE 13946173 | 810 | 150 | 615 | VOE 13946817 | 945 | 450 | 903 | VOE 13947624 | 463 | 100 | 475 |
| VOE 13945408 | 841 | 100 | 677 | VOE 13945653 | 551 | 250 | 519 | VOE 13946173 | 810 | 200 | 619 | VOE 13946934 | 263 | 150 | 127 | VOE 13947625 | 210 | 50 | 43 |
| VOE 13945408 | 852 | 100 | 691 | VOE 13945653 | 914 | 100 | 831 | VOE 13946173 | 821 | 100 | 625 | VOE 13946934 | 371 | 100 | 199 | VOE 13947627 | 421 | 200 | 415 |
| VOE 13945408 | 852 | 450 | 707 | VOE 13945653 | 914 | 250 | 839 | VOE 13946173 | 823 | 300 | 651 | VOE 13946934 | 872 | 125 | 719 | VOE 13947628 | 210 | 50 | 41 |
| VOE 13945408 | 872 | 125 | 719 | VOE 13945653 | 945 | 500 | 905 | VOE 13946173 | 873 | 100 | 729 | VOE 13947281 | 210 | 50 | 41 | VOE 13947628 | 223 | 100 | 73 |
| VOE 13945408 | 874 | 300 | 743 | VOE 13946008 | 461 | 150 | 469 | VOE 13946173 | 874 | 300 | 743 | VOE 13947281 | 210 | 50 | 43 | VOE 13947628 | 262 | 100 | 119 |
| VOE 13945408 | 882 | 200 | 759 | VOE 13946118 | 379 | 400 | 327 | VOE 13946173 | 881 | 150 | 751 | VOE 13947281 | 210 | 50 | 45 | VOE 13947628 | 371 | 150 | 203 |
| VOE 13945408 | 945 | 400 | 899 | VOE 13946173 | 234 | 100 | 83 | VOE 13946173 | 914 | 350 | 843 | VOE 13947281 | 212 | 100 | 51 | VOE 13947630 | 217 | 150 | 67 |
| VOE 13945444 | 223 | 150 | 77 | VOE 13946173 | 258 | 100 | 107 | VOE 13946173 | 924 | 100 | 867 | VOE 13947281 | 223 | 100 | 73 | VOE 13947757 | 831 | 100 | 669 |
| VOE 13945444 | 235 | 100 | 87 | VOE 13946173 | 261 | 200 | 113 | VOE 13946173 | 945 | 450 | 903 | VOE 13947281 | 421 | 500 | 435 | VOE 13947757 | 843 | 200 | 685 |
| VOE 13945444 | 235 | 110 | 93 | VOE 13946173 | 261 | 250 | 117 | VOE 13946222 | 380 | 150 | 359 | VOE 13947281 | 896 | 150 | 775 | VOE 13947760 | 258 | 100 | 107 |
| VOE 13945444 | 258 | 100 | 107 | VOE 13946173 | 263 | 100 | 121 | VOE 13946442 | 461 | 200 | 473 | VOE 13947282 | 421 | 500 | 435 | VOE 13947760 | 263 | 100 | 121 |
| VOE 13945444 | 263 | 125 | 123 | VOE 13946173 | 263 | 125 | 125 | VOE 13946442 | 463 | 250 | 481 | VOE 13947355 | 945 | 150 | 883 | VOE 13947760 | 420 | 150 | 393 |
| VOE 13945444 | 271 | 100 | 141 | VOE 13946173 | 263 | 150 | 129 | VOE 13946474 | 263 | 150 | 127 | VOE 13947355 | 945 | 200 | 885 | VOE 13947760 | 421 | 200 | 413 |
| VOE 13945444 | 353 | 150 | 181 | VOE 13946173 | 263 | 300 | 135 | VOE 13946474 | 741 | 100 | 597 | VOE 13947355 | 945 | 300 | 893 | VOE 13947760 | 421 | 200 | 415 |
| VOE 13945444 | 371 | 100 | 199 | VOE 13946173 | 313 | 100 | 157 | VOE 13946474 | 821 | 160 | 633 | VOE 13947355 | 945 | 350 | 897 | VOE 13947760 | 810 | 200 | 619 |
| VOE 13945444 | 371 | 350 | 221 | VOE 13946173 | 321 | 100 | 159 | VOE 13946474 | 911 | 100 | 793 | VOE 13947373 | 860 | 300 | 713 | VOE 13947760 | 821 | 100 | 625 |

((((((((

| Part No | Group | Sect | Page | Part No | Group | Sect | Page | Part No | Group | Sect | Page | Part No | Group | Sect | Page | Part No | Group | Sect | Page |
|--------------|-------|------|------|--------------|-------|------|------|--------------|-------|------|------|--------------|-------|------|------|--------------|-------|------|------|
| VOE 13947760 | 821 | 150 | 629 | VOE 13948856 | 379 | 300 | 321 | VOE 13949278 | 873 | 150 | 731 | VOE 13949746 | 333 | 100 | 169 | VOE 13949874 | 393 | 100 | 379 |
| VOE 13947760 | 821 | 160 | 633 | VOE 13948871 | 223 | 150 | 77 | VOE 13949278 | 897 | 150 | 781 | VOE 13949746 | 352 | 150 | 173 | VOE 13949888 | 371 | 100 | 199 |
| VOE 13947760 | 827 | 100 | 667 | VOE 13948871 | 235 | 100 | 87 | VOE 13949278 | 914 | 350 | 843 | VOE 13949746 | 371 | 200 | 207 | VOE 13949888 | 371 | 400 | 225 |
| VOE 13947790 | 852 | 100 | 691 | VOE 13948871 | 235 | 110 | 93 | VOE 13949278 | 924 | 100 | 865 | VOE 13949746 | 371 | 250 | 211 | VOE 13949888 | 371 | 750 | 253 |
| VOE 13947790 | 852 | 450 | 707 | VOE 13948995 | 371 | 1050 | 271 | VOE 13949361 | 420 | 200 | 397 | VOE 13949746 | 371 | 350 | 221 | VOE 13949905 | 421 | 100 | 409 |
| VOE 13947848 | 371 | 500 | 231 | VOE 13948995 | 379 | 500 | 331 | VOE 13949361 | 420 | 250 | 401 | VOE 13949746 | 371 | 650 | 247 | VOE 13949928 | 421 | 250 | 419 |
| VOE 13947848 | 371 | 525 | 235 | VOE 13948996 | 371 | 500 | 231 | VOE 13949371 | 379 | 600 | 335 | VOE 13949746 | 371 | 750 | 253 | VOE 13949928 | 421 | 300 | 423 |
| VOE 13947848 | 371 | 1050 | 271 | VOE 13948996 | 371 | 525 | 235 | VOE 13949371 | 379 | 800 | 341 | VOE 13949746 | 371 | 800 | 255 | VOE 13949997 | 371 | 750 | 253 |
| VOE 13947848 | 379 | 300 | 321 | VOE 13948996 | 371 | 900 | 261 | VOE 13949410 | 421 | 150 | 411 | VOE 13949746 | 371 | 1100 | 275 | VOE 13949997 | 371 | 950 | 265 |
| VOE 13947902 | 421 | 100 | 409 | VOE 13948996 | 371 | 1050 | 271 | VOE 13949473 | 379 | 400 | 327 | VOE 13949746 | 371 | 1200 | 279 | VOE 13949997 | 371 | 1050 | 271 |
| VOE 13948039 | 911 | 250 | 801 | VOE 13948996 | 379 | 500 | 331 | VOE 13949474 | 379 | 400 | 327 | VOE 13949746 | 371 | 1650 | 289 | VOE 13949997 | 420 | 200 | 399 |
| VOE 13948217 | 263 | 125 | 125 | VOE 13948996 | 393 | 100 | 377 | VOE 13949574 | 420 | 200 | 397 | VOE 13949746 | 874 | 300 | 743 | VOE 13949997 | 421 | 500 | 437 |
| VOE 13948269 | 451 | 250 | 459 | VOE 13949003 | 371 | 650 | 245 | VOE 13949574 | 420 | 250 | 401 | VOE 13949746 | 945 | 450 | 903 | VOE 13951740 | 451 | 250 | 459 |
| VOE 13948297 | 379 | 500 | 331 | VOE 13949003 | 371 | 1700 | 291 | VOE 13949574 | 421 | 400 | 431 | VOE 13949747 | 235 | 100 | 87 | VOE 13951941 | 522 | 100 | 503 |
| VOE 13948320 | 451 | 250 | 459 | VOE 13949003 | 379 | 600 | 335 | VOE 13949574 | 421 | 500 | 435 | VOE 13949747 | 235 | 100 | 89 | VOE 13951967 | 831 | 100 | 669 |
| VOE 13948356 | 258 | 100 | 107 | VOE 13949238 | 911 | 200 | 799 | VOE 13949574 | 924 | 100 | 867 | VOE 13949747 | 235 | 110 | 91 | VOE 13951967 | 843 | 200 | 685 |
| VOE 13948356 | 823 | 100 | 641 | VOE 13949238 | 911 | 250 | 801 | VOE 13949578 | 221 | 100 | 71 | VOE 13949747 | 235 | 110 | 93 | VOE 13954447 | 379 | 100 | 303 |
| VOE 13948356 | 823 | 110 | 645 | VOE 13949238 | 911 | 400 | 811 | VOE 13949584 | 379 | 500 | 331 | VOE 13949747 | 371 | 350 | 221 | VOE 13955294 | 468 | 100 | 483 |
| VOE 13948438 | 882 | 200 | 759 | VOE 13949238 | 914 | 700 | 851 | VOE 13949597 | 371 | 250 | 209 | VOE 13949747 | 371 | 400 | 225 | VOE 13955298 | 421 | 400 | 431 |
| VOE 13948527 | 645 | 350 | 551 | VOE 13949239 | 911 | 400 | 811 | VOE 13949597 | 371 | 400 | 223 | VOE 13949747 | 874 | 300 | 743 | VOE 13955781 | 660 | 150 | 569 |
| VOE 13948699 | 263 | 125 | 123 | VOE 13949239 | 914 | 700 | 851 | VOE 13949597 | 371 | 500 | 231 | VOE 13949817 | 821 | 170 | 637 | VOE 13955781 | 914 | 250 | 841 |
| VOE 13948699 | 645 | 100 | 535 | VOE 13949278 | 261 | 250 | 117 | VOE 13949597 | 371 | 525 | 235 | VOE 13949851 | 421 | 350 | 427 | VOE 13955894 | 660 | 150 | 569 |
| VOE 13948699 | 647 | 100 | 559 | VOE 13949278 | 263 | 150 | 127 | VOE 13949597 | 371 | 550 | 237 | VOE 13949867 | 353 | 150 | 181 | VOE 13955894 | 852 | 100 | 693 |
| VOE 13948699 | 911 | 250 | 801 | VOE 13949278 | 371 | 100 | 199 | VOE 13949597 | 371 | 550 | 239 | VOE 13949867 | 420 | 200 | 399 | VOE 13955894 | 874 | 200 | 737 |
| VOE 13948699 | 911 | 500 | 815 | VOE 13949278 | 371 | 1050 | 271 | VOE 13949597 | 371 | 600 | 241 | VOE 13949867 | 810 | 150 | 615 | VOE 13955897 | 263 | 150 | 127 |
| VOE 13948699 | 911 | 550 | 817 | VOE 13949278 | 516 | 100 | 499 | VOE 13949597 | 371 | 1050 | 271 | VOE 13949867 | 823 | 300 | 651 | VOE 13955897 | 821 | 100 | 625 |
| VOE 13948699 | 912 | 100 | 821 | VOE 13949278 | 517 | 100 | 501 | VOE 13949597 | 371 | 1500 | 285 | VOE 13949867 | 873 | 100 | 729 | VOE 13955897 | 821 | 150 | 629 |
| VOE 13948699 | 914 | 100 | 831 | VOE 13949278 | 715 | 300 | 589 | VOE 13949597 | 371 | 1600 | 287 | VOE 13949867 | 874 | 200 | 737 | VOE 13955897 | 821 | 160 | 633 |
| VOE 13948699 | 914 | 700 | 851 | VOE 13949278 | 821 | 100 | 627 | VOE 13949597 | 379 | 300 | 321 | VOE 13949867 | 874 | 300 | 743 | VOE 13955897 | 821 | 200 | 639 |
| VOE 13948699 | 916 | 100 | 855 | VOE 13949278 | 823 | 100 | 641 | VOE 13949598 | 379 | 400 | 327 | VOE 13949867 | 881 | 100 | 749 | VOE 13955897 | 911 | 250 | 801 |
| VOE 13948699 | 916 | 100 | 857 | VOE 13949278 | 823 | 110 | 645 | VOE 13949606 | 379 | 400 | 327 | VOE 13949867 | 914 | 150 | 835 | VOE 13955900 | 215 | 100 | 59 |
| VOE 13948700 | 421 | 150 | 411 | VOE 13949278 | 843 | 100 | 681 | VOE 13949608 | 420 | 100 | 389 | VOE 13949874 | 261 | 150 | 111 | VOE 13955900 | 263 | 150 | 127 |
| VOE 13948746 | 371 | 250 | 213 | VOE 13949278 | 852 | 400 | 705 | VOE 13949608 | 434 | 100 | 441 | VOE 13949874 | 333 | 100 | 169 | VOE 13955900 | 741 | 100 | 597 |
| VOE 13948746 | 371 | 400 | 225 | VOE 13949278 | 872 | 125 | 719 | VOE 13949656 | 421 | 200 | 415 | VOE 13949874 | 371 | 950 | 263 | VOE 13955900 | 924 | 200 | 871 |
| VOE 13948746 | 372 | 100 | 295 | VOE 13949278 | 872 | 200 | 725 | VOE 13949657 | 912 | 100 | 819 | VOE 13949874 | 371 | 950 | 265 | VOE 13956967 | 420 | 200 | 397 |

NUMERICAL INDEX

INDICE DE NÚMERO

Catalogue id

Group

20007

1000

RÉPERTOIRE DE NUMÉROS

NUMMERREGISTER

Issue

Page

NUMMERNREGISTER

VOE 63D9920007

17

VOLVO

L90E

| NUMERICAL INDEX | | | | INDICE DE NÚMERO | | | | | | | | Catalogue id 20007 | | Group 1000 | | | | | |
|-----------------------|-------|------|------|------------------|-------|------|------|--------------|-------|------|------|--------------------------------|-------|----------------------|------|--------------|-------|------|------|
| RÉPERTOIRE DE NUMÉROS | | | | NUMMERREGISTER | | | | | | | | Issue VOE 63D9920007 | | Page 18 | | | | | |
| NUMMERNREGISTER | | | | | | | | | | | | | | | | | | | |
| Part No | Group | Sect | Page | Part No | Group | Sect | Page | Part No | Group | Sect | Page | Part No | Group | Sect | Page | Part No | Group | Sect | Page |
| VOE 13956967 | 420 | 250 | 401 | VOE 13960141 | 371 | 100 | 199 | VOE 13960141 | 945 | 450 | 903 | VOE 13960145 | 263 | 150 | 127 | VOE 13961647 | 362 | 150 | 187 |
| VOE 13956967 | 945 | 400 | 899 | VOE 13960141 | 371 | 400 | 225 | VOE 13960141 | 993 | 100 | 911 | VOE 13960145 | 321 | 100 | 159 | VOE 13961647 | 362 | 225 | 191 |
| VOE 13956967 | 945 | 410 | 901 | VOE 13960141 | 371 | 800 | 255 | VOE 13960143 | 252 | 100 | 99 | VOE 13960145 | 715 | 200 | 585 | VOE 13961962 | 223 | 150 | 77 |
| VOE 13958210 | 371 | 550 | 239 | VOE 13960141 | 390 | 100 | 375 | VOE 13960143 | 352 | 100 | 171 | VOE 13960145 | 715 | 250 | 587 | VOE 13961962 | 235 | 100 | 89 |
| VOE 13958210 | 371 | 1400 | 281 | VOE 13960141 | 420 | 150 | 393 | VOE 13960143 | 352 | 150 | 173 | VOE 13960145 | 715 | 400 | 591 | VOE 13961962 | 235 | 110 | 93 |
| VOE 13958210 | 371 | 1700 | 291 | VOE 13960141 | 491 | 100 | 489 | VOE 13960143 | 352 | 250 | 177 | VOE 13960145 | 821 | 100 | 623 | VOE 13961962 | 371 | 250 | 211 |
| VOE 13958210 | 372 | 200 | 301 | VOE 13960141 | 551 | 250 | 519 | VOE 13960143 | 371 | 100 | 199 | VOE 13960145 | 821 | 150 | 629 | VOE 13961962 | 371 | 550 | 239 |
| VOE 13958210 | 379 | 300 | 321 | VOE 13960141 | 641 | 100 | 529 | VOE 13960143 | 522 | 325 | 513 | VOE 13960145 | 821 | 160 | 633 | VOE 13961962 | 831 | 150 | 673 |
| VOE 13958210 | 393 | 100 | 377 | VOE 13960141 | 645 | 100 | 535 | VOE 13960143 | 527 | 200 | 517 | VOE 13960145 | 823 | 100 | 643 | VOE 13961965 | 271 | 100 | 141 |
| VOE 13958212 | 379 | 300 | 321 | VOE 13960141 | 645 | 150 | 543 | VOE 13960143 | 645 | 100 | 539 | VOE 13960145 | 823 | 110 | 647 | VOE 13961996 | 860 | 150 | 711 |
| VOE 13959093 | 831 | 150 | 671 | VOE 13960141 | 645 | 300 | 547 | VOE 13960143 | 715 | 100 | 581 | VOE 13960145 | 823 | 150 | 649 | VOE 13962033 | 896 | 150 | 775 |
| VOE 13959209 | 993 | 100 | 911 | VOE 13960141 | 715 | 250 | 587 | VOE 13960143 | 715 | 150 | 583 | VOE 13960145 | 825 | 100 | 653 | VOE 13962075 | 896 | 150 | 775 |
| VOE 13959212 | 882 | 550 | 767 | VOE 13960141 | 810 | 150 | 615 | VOE 13960143 | 716 | 100 | 593 | VOE 13960145 | 826 | 100 | 657 | VOE 13962213 | 896 | 150 | 775 |
| VOE 13959258 | 911 | 550 | 817 | VOE 13960141 | 821 | 100 | 625 | VOE 13960143 | 821 | 150 | 629 | VOE 13960145 | 826 | 110 | 659 | VOE 13962298 | 896 | 150 | 775 |
| VOE 13959258 | 912 | 100 | 819 | VOE 13960141 | 821 | 100 | 627 | VOE 13960143 | 821 | 150 | 631 | VOE 13960145 | 826 | 120 | 663 | VOE 13962531 | 912 | 100 | 819 |
| VOE 13960138 | 333 | 100 | 169 | VOE 13960141 | 821 | 150 | 629 | VOE 13960143 | 821 | 160 | 633 | VOE 13960145 | 860 | 125 | 709 | VOE 13962653 | 372 | 100 | 295 |
| VOE 13960138 | 352 | 200 | 175 | VOE 13960141 | 821 | 160 | 633 | VOE 13960143 | 821 | 160 | 635 | VOE 13960145 | 882 | 200 | 759 | VOE 13962658 | 831 | 100 | 669 |
| VOE 13960138 | 371 | 950 | 263 | VOE 13960141 | 823 | 100 | 641 | VOE 13960143 | 823 | 100 | 643 | VOE 13960145 | 911 | 100 | 793 | VOE 13962658 | 843 | 200 | 685 |
| VOE 13960138 | 371 | 950 | 265 | VOE 13960141 | 823 | 110 | 645 | VOE 13960143 | 823 | 110 | 647 | VOE 13960145 | 911 | 400 | 811 | VOE 13962931 | 660 | 150 | 569 |
| VOE 13960138 | 390 | 100 | 375 | VOE 13960141 | 823 | 150 | 649 | VOE 13960143 | 826 | 110 | 659 | VOE 13960145 | 912 | 100 | 819 | VOE 13963077 | 434 | 100 | 441 |
| VOE 13960138 | 821 | 200 | 639 | VOE 13960141 | 827 | 100 | 667 | VOE 13960143 | 826 | 110 | 661 | VOE 13960145 | 914 | 700 | 851 | VOE 13963096 | 924 | 200 | 871 |
| VOE 13960138 | 823 | 150 | 649 | VOE 13960141 | 852 | 100 | 691 | VOE 13960143 | 826 | 120 | 663 | VOE 13960145 | 945 | 700 | 909 | VOE 13963103 | 352 | 200 | 175 |
| VOE 13960138 | 882 | 550 | 765 | VOE 13960141 | 852 | 450 | 707 | VOE 13960143 | 826 | 120 | 665 | VOE 13960146 | 914 | 250 | 839 | VOE 13963103 | 353 | 200 | 183 |
| VOE 13960141 | 235 | 100 | 89 | VOE 13960141 | 872 | 125 | 719 | VOE 13960143 | 827 | 100 | 667 | VOE 13960150 | 421 | 200 | 415 | VOE 13963103 | 882 | 550 | 765 |
| VOE 13960141 | 235 | 110 | 93 | VOE 13960141 | 874 | 200 | 737 | VOE 13960143 | 841 | 100 | 677 | VOE 13960168 | 924 | 100 | 867 | VOE 13963104 | 882 | 550 | 765 |
| VOE 13960141 | 258 | 100 | 107 | VOE 13960141 | 874 | 300 | 743 | VOE 13960143 | 852 | 100 | 691 | VOE 13960171 | 882 | 550 | 765 | VOE 13963104 | 945 | 150 | 883 |
| VOE 13960141 | 263 | 100 | 121 | VOE 13960141 | 881 | 100 | 749 | VOE 13960143 | 852 | 400 | 705 | VOE 13960211 | 522 | 300 | 507 | VOE 13963104 | 945 | 200 | 885 |
| VOE 13960141 | 263 | 300 | 135 | VOE 13960141 | 881 | 150 | 751 | VOE 13960143 | 852 | 450 | 707 | VOE 13960211 | 525 | 100 | 515 | VOE 13963104 | 945 | 250 | 889 |
| VOE 13960141 | 269 | 150 | 137 | VOE 13960141 | 882 | 200 | 759 | VOE 13960143 | 873 | 150 | 731 | VOE 13960213 | 527 | 200 | 517 | VOE 13963104 | 945 | 300 | 893 |
| VOE 13960141 | 269 | 250 | 139 | VOE 13960141 | 882 | 500 | 763 | VOE 13960143 | 874 | 150 | 735 | VOE 13960213 | 911 | 250 | 801 | VOE 13963104 | 945 | 350 | 897 |
| VOE 13960141 | 313 | 100 | 157 | VOE 13960141 | 882 | 550 | 765 | VOE 13960143 | 911 | 500 | 815 | VOE 13960213 | 911 | 300 | 805 | VOE 13963105 | 372 | 100 | 295 |
| VOE 13960141 | 352 | 150 | 173 | VOE 13960141 | 897 | 150 | 781 | VOE 13960143 | 914 | 700 | 853 | VOE 13960213 | 912 | 100 | 821 | VOE 13963105 | 372 | 200 | 301 |
| VOE 13960141 | 353 | 150 | 181 | VOE 13960141 | 914 | 100 | 831 | VOE 13960143 | 945 | 700 | 909 | VOE 13960632 | 461 | 100 | 465 | VOE 13963110 | 362 | 150 | 187 |
| VOE 13960141 | 353 | 200 | 183 | VOE 13960141 | 924 | 100 | 865 | VOE 13960145 | 252 | 100 | 99 | VOE 13960632 | 463 | 100 | 475 | VOE 13963110 | 362 | 225 | 191 |
| VOE 13960141 | 362 | 150 | 187 | VOE 13960141 | 945 | 410 | 901 | VOE 13960145 | 261 | 100 | 109 | VOE 13961193 | 217 | 150 | 67 | VOE 13963110 | 924 | 200 | 871 |

| Part No | Group | Sect | Page | Part No | Group | Sect | Page | Part No | Group | Sect | Page | Part No | Group | Sect | Page | Part No | Group | Sect | Page |
|--------------|-------|------|------|--------------|-------|------|------|--------------|-------|------|------|--------------|-------|------|------|--------------|-------|------|------|
| VOE 13963364 | 818 | 100 | 621 | VOE 13965182 | 522 | 100 | 505 | VOE 13965191 | 914 | 700 | 853 | VOE 13965197 | 821 | 200 | 639 | VOE 13967812 | 379 | 200 | 319 |
| VOE 13963925 | 421 | 500 | 435 | VOE 13965182 | 914 | 600 | 849 | VOE 13965191 | 924 | 200 | 871 | VOE 13965225 | 914 | 700 | 851 | VOE 13968137 | 379 | 200 | 319 |
| VOE 13963968 | 420 | 200 | 397 | VOE 13965182 | 945 | 400 | 899 | VOE 13965191 | 945 | 700 | 909 | VOE 13965226 | 911 | 250 | 801 | VOE 13968302 | 436 | 100 | 451 |
| VOE 13963968 | 420 | 250 | 401 | VOE 13965183 | 263 | 300 | 135 | VOE 13965192 | 261 | 100 | 109 | VOE 13965226 | 911 | 500 | 815 | VOE 13968436 | 945 | 250 | 889 |
| VOE 13964110 | 911 | 400 | 811 | VOE 13965183 | 362 | 100 | 185 | VOE 13965192 | 715 | 200 | 585 | VOE 13965354 | 363 | 200 | 197 | VOE 13968561 | 421 | 200 | 413 |
| VOE 13964167 | 379 | 300 | 321 | VOE 13965183 | 874 | 300 | 743 | VOE 13965192 | 715 | 250 | 587 | VOE 13965483 | 321 | 100 | 159 | VOE 13968614 | 421 | 200 | 413 |
| VOE 13964197 | 379 | 300 | 321 | VOE 13965184 | 421 | 400 | 431 | VOE 13965192 | 911 | 400 | 811 | VOE 13965483 | 390 | 100 | 375 | VOE 13968796 | 491 | 100 | 489 |
| VOE 13965175 | 261 | 200 | 113 | VOE 13965184 | 525 | 100 | 515 | VOE 13965192 | 911 | 550 | 817 | VOE 13965483 | 823 | 150 | 649 | VOE 13968816 | 463 | 100 | 475 |
| VOE 13965175 | 371 | 600 | 241 | VOE 13965184 | 874 | 200 | 737 | VOE 13965192 | 924 | 150 | 869 | VOE 13965534 | 235 | 110 | 91 | VOE 13968816 | 463 | 250 | 481 |
| VOE 13965175 | 371 | 650 | 247 | VOE 13965185 | 256 | 100 | 103 | VOE 13965192 | 945 | 150 | 883 | VOE 13965537 | 420 | 200 | 399 | VOE 13969158 | 831 | 100 | 669 |
| VOE 13965175 | 945 | 410 | 901 | VOE 13965185 | 641 | 100 | 529 | VOE 13965192 | 945 | 200 | 885 | VOE 13965540 | 235 | 100 | 87 | VOE 13969158 | 843 | 200 | 685 |
| VOE 13965176 | 223 | 150 | 79 | VOE 13965185 | 647 | 100 | 557 | VOE 13965192 | 945 | 250 | 889 | VOE 13965540 | 261 | 200 | 113 | VOE 13969160 | 371 | 250 | 213 |
| VOE 13965176 | 821 | 100 | 627 | VOE 13965185 | 711 | 100 | 579 | VOE 13965192 | 945 | 300 | 893 | VOE 13965558 | 874 | 300 | 743 | VOE 13969160 | 371 | 900 | 261 |
| VOE 13965176 | 841 | 100 | 679 | VOE 13965185 | 825 | 150 | 655 | VOE 13965192 | 945 | 350 | 897 | VOE 13965593 | 882 | 600 | 769 | VOE 13969160 | 371 | 950 | 263 |
| VOE 13965176 | 852 | 400 | 705 | VOE 13965185 | 873 | 150 | 731 | VOE 13965193 | 218 | 100 | 69 | VOE 13965596 | 843 | 200 | 685 | VOE 13969160 | 371 | 1050 | 273 |
| VOE 13965176 | 924 | 100 | 867 | VOE 13965185 | 874 | 150 | 735 | VOE 13965193 | 313 | 100 | 157 | VOE 13965756 | 379 | 300 | 321 | VOE 13969160 | 371 | 1600 | 287 |
| VOE 13965177 | 660 | 100 | 565 | VOE 13965185 | 911 | 500 | 815 | VOE 13965193 | 420 | 100 | 391 | VOE 13965757 | 379 | 300 | 323 | VOE 13969160 | 372 | 150 | 299 |
| VOE 13965177 | 924 | 100 | 865 | VOE 13965186 | 914 | 700 | 853 | VOE 13965193 | 821 | 100 | 623 | VOE 13965768 | 914 | 250 | 839 | VOE 13969160 | 379 | 800 | 341 |
| VOE 13965179 | 252 | 100 | 99 | VOE 13965186 | 916 | 100 | 855 | VOE 13965193 | 821 | 200 | 639 | VOE 13965805 | 379 | 200 | 317 | VOE 13969160 | 393 | 100 | 377 |
| VOE 13965179 | 371 | 800 | 255 | VOE 13965187 | 258 | 100 | 107 | VOE 13965193 | 825 | 100 | 653 | VOE 13965890 | 379 | 200 | 319 | VOE 13969162 | 372 | 150 | 299 |
| VOE 13965179 | 421 | 500 | 435 | VOE 13965187 | 420 | 200 | 397 | VOE 13965193 | 826 | 110 | 659 | VOE 13965893 | 379 | 200 | 317 | VOE 13969220 | 269 | 250 | 139 |
| VOE 13965179 | 810 | 200 | 619 | VOE 13965187 | 420 | 250 | 401 | VOE 13965193 | 826 | 120 | 663 | VOE 13966143 | 235 | 110 | 91 | VOE 13969278 | 371 | 900 | 261 |
| VOE 13965179 | 823 | 100 | 643 | VOE 13965187 | 860 | 125 | 709 | VOE 13965193 | 860 | 125 | 709 | VOE 13966143 | 434 | 200 | 449 | VOE 13969278 | 371 | 1500 | 285 |
| VOE 13965179 | 823 | 110 | 647 | VOE 13965188 | 645 | 100 | 539 | VOE 13965193 | 912 | 100 | 819 | VOE 13966145 | 911 | 100 | 793 | VOE 13969278 | 372 | 100 | 295 |
| VOE 13965179 | 827 | 100 | 667 | VOE 13965188 | 821 | 160 | 635 | VOE 13965193 | 924 | 150 | 869 | VOE 13966146 | 911 | 400 | 811 | VOE 13969278 | 372 | 200 | 301 |
| VOE 13965179 | 837 | 200 | 675 | VOE 13965188 | 911 | 500 | 815 | VOE 13965193 | 945 | 350 | 897 | VOE 13966327 | 380 | 100 | 351 | VOE 13969278 | 380 | 100 | 351 |
| VOE 13965179 | 993 | 100 | 911 | VOE 13965189 | 827 | 100 | 667 | VOE 13965194 | 821 | 100 | 623 | VOE 13966327 | 380 | 125 | 355 | VOE 13969278 | 380 | 125 | 355 |
| VOE 13965180 | 647 | 100 | 559 | VOE 13965189 | 914 | 200 | 837 | VOE 13965194 | 911 | 100 | 793 | VOE 13966362 | 218 | 100 | 69 | VOE 13969278 | 380 | 150 | 359 |
| VOE 13965180 | 914 | 600 | 849 | VOE 13965189 | 916 | 100 | 855 | VOE 13965194 | 912 | 100 | 819 | VOE 13966366 | 451 | 100 | 453 | VOE 13969516 | 352 | 200 | 175 |
| VOE 13965180 | 914 | 700 | 851 | VOE 13965190 | 647 | 100 | 559 | VOE 13965194 | 914 | 700 | 851 | VOE 13966650 | 372 | 200 | 301 | VOE 13969516 | 353 | 100 | 179 |
| VOE 13965181 | 321 | 100 | 159 | VOE 13965190 | 914 | 200 | 837 | VOE 13965196 | 261 | 100 | 109 | VOE 13966807 | 371 | 200 | 207 | VOE 13969516 | 353 | 200 | 183 |
| VOE 13965181 | 390 | 100 | 375 | VOE 13965191 | 715 | 200 | 585 | VOE 13965196 | 860 | 125 | 709 | VOE 13966807 | 371 | 350 | 221 | VOE 13969558 | 380 | 125 | 355 |
| VOE 13965181 | 421 | 400 | 431 | VOE 13965191 | 715 | 250 | 587 | VOE 13965196 | 924 | 150 | 869 | VOE 13967752 | 527 | 200 | 517 | VOE 13969738 | 363 | 150 | 195 |
| VOE 13965181 | 491 | 100 | 489 | VOE 13965191 | 715 | 400 | 591 | VOE 13965196 | 924 | 200 | 873 | VOE 13967752 | 914 | 100 | 831 | VOE 13969738 | 872 | 200 | 725 |
| VOE 13965182 | 421 | 500 | 435 | VOE 13965191 | 852 | 400 | 705 | VOE 13965197 | 821 | 100 | 625 | VOE 13967752 | 916 | 100 | 855 | VOE 13970778 | 379 | 400 | 327 |

NUMERICAL INDEX

RÉPERTOIRE DE NUMÉROS

NUMMERREGISTER

INDICE DE NÚMERO

NUMMERREGISTER

| | |
|-----------------------|-------------|
| Catalogue id | Group |
| 20007 | 1000 |
| Issue | Page |
| VOE 63D9920007 | 19 |

VOLVO

L90E

| NUMERICAL INDEX | | | | INDICE DE NÚMERO | | | | Catalogue id 20007 | | | | Group 1000 | | | | | | | |
|-----------------------|-------|------|------|------------------|-------|------|------|-------------------------|-------|------|------|-----------------|-------|------|------|--------------|-------|------|------|
| RÉPERTOIRE DE NUMÉROS | | | | NUMMERREGISTER | | | | Issue VOE 63D9920007 | | | | Page 20 | | | | | | | |
| NUMMERNREGISTER | | | | NUMMERNREGISTER | | | | NUMMERNREGISTER | | | | NUMMERNREGISTER | | | | | | | |
| Part No | Group | Sect | Page | Part No | Group | Sect | Page | Part No | Group | Sect | Page | Part No | Group | Sect | Page | Part No | Group | Sect | Page |
| VOE 13970778 | 379 | 900 | 347 | VOE 13971098 | 821 | 160 | 633 | VOE 13977599 | 371 | 650 | 247 | VOE 14211856 | 468 | 150 | 485 | VOE 14211864 | 645 | 100 | 537 |
| VOE 13970944 | 993 | 100 | 911 | VOE 13971098 | 821 | 160 | 635 | VOE 13977599 | 371 | 750 | 253 | VOE 14211856 | 468 | 150 | 487 | VOE 14211864 | 647 | 100 | 557 |
| VOE 13970948 | 434 | 100 | 441 | VOE 13971098 | 823 | 100 | 643 | VOE 13977599 | 371 | 800 | 255 | VOE 14211856 | 522 | 325 | 511 | VOE 14213266 | 235 | 100 | 87 |
| VOE 13970948 | 434 | 200 | 447 | VOE 13971098 | 823 | 110 | 647 | VOE 13977599 | 647 | 100 | 559 | VOE 14211856 | 551 | 250 | 519 | VOE 14213266 | 235 | 110 | 91 |
| VOE 13970950 | 434 | 200 | 447 | VOE 13971098 | 827 | 100 | 667 | VOE 13977599 | 873 | 100 | 729 | VOE 14211856 | 645 | 100 | 541 | VOE 14213676 | 263 | 125 | 125 |
| VOE 13970957 | 434 | 150 | 445 | VOE 13971098 | 831 | 150 | 671 | VOE 13977600 | 371 | 350 | 221 | VOE 14211856 | 647 | 100 | 557 | VOE 14213676 | 420 | 150 | 395 |
| VOE 13970959 | 896 | 150 | 775 | VOE 13971098 | 860 | 125 | 709 | VOE 13977600 | 873 | 100 | 729 | VOE 14211856 | 647 | 100 | 559 | VOE 14213676 | 468 | 150 | 487 |
| VOE 13970986 | 911 | 250 | 801 | VOE 13971098 | 873 | 150 | 731 | VOE 13977600 | 874 | 300 | 745 | VOE 14211856 | 911 | 300 | 805 | VOE 14213676 | 522 | 100 | 503 |
| VOE 13970988 | 321 | 100 | 159 | VOE 13971098 | 874 | 150 | 735 | VOE 13977632 | 825 | 150 | 655 | VOE 14211856 | 911 | 300 | 807 | VOE 14213676 | 647 | 100 | 557 |
| VOE 13970988 | 420 | 100 | 389 | VOE 13971098 | 911 | 500 | 815 | VOE 13980102 | 911 | 200 | 799 | VOE 14211856 | 911 | 350 | 809 | VOE 14213676 | 911 | 350 | 809 |
| VOE 13970989 | 420 | 100 | 389 | VOE 13971098 | 914 | 700 | 853 | VOE 13980220 | 372 | 100 | 295 | VOE 14211856 | 914 | 100 | 831 | VOE 14213676 | 914 | 100 | 831 |
| VOE 13970997 | 911 | 250 | 801 | VOE 13971098 | 945 | 450 | 903 | VOE 13980338 | 645 | 200 | 545 | VOE 14211856 | 914 | 100 | 833 | VOE 14213676 | 916 | 100 | 857 |
| VOE 13971019 | 252 | 100 | 99 | VOE 13974079 | 913 | 150 | 827 | VOE 14013067 | 468 | 150 | 485 | VOE 14211856 | 914 | 200 | 837 | VOE 14214082 | 380 | 200 | 363 |
| VOE 13971080 | 914 | 250 | 839 | VOE 13974079 | 913 | 200 | 829 | VOE 14013067 | 645 | 100 | 539 | VOE 14211856 | 914 | 600 | 847 | VOE 14215715 | 420 | 150 | 393 |
| VOE 13971080 | 914 | 250 | 841 | VOE 13974302 | 716 | 100 | 593 | VOE 14013067 | 647 | 100 | 559 | VOE 14211856 | 916 | 100 | 859 | VOE 14215715 | 491 | 100 | 489 |
| VOE 13971090 | 924 | 200 | 873 | VOE 13975237 | 380 | 125 | 355 | VOE 14013069 | 645 | 100 | 539 | VOE 14211856 | 924 | 100 | 865 | VOE 14215715 | 911 | 250 | 801 |
| VOE 13971095 | 256 | 100 | 103 | VOE 13975237 | 881 | 150 | 751 | VOE 14013069 | 645 | 300 | 547 | VOE 14211857 | 924 | 200 | 873 | VOE 14215715 | 911 | 500 | 815 |
| VOE 13971095 | 352 | 150 | 173 | VOE 13975269 | 235 | 100 | 89 | VOE 14013070 | 914 | 600 | 849 | VOE 14211857 | 924 | 250 | 875 | VOE 14215715 | 911 | 550 | 817 |
| VOE 13971095 | 352 | 250 | 177 | VOE 13975269 | 235 | 110 | 93 | VOE 14013070 | 924 | 250 | 875 | VOE 14211857 | 924 | 300 | 877 | VOE 14215715 | 912 | 100 | 821 |
| VOE 13971095 | 914 | 200 | 837 | VOE 13975547 | 821 | 100 | 625 | VOE 14016673 | 420 | 250 | 401 | VOE 14211858 | 645 | 100 | 535 | VOE 14215715 | 914 | 700 | 851 |
| VOE 13971095 | 924 | 300 | 877 | VOE 13975980 | 882 | 600 | 769 | VOE 14016673 | 468 | 150 | 485 | VOE 14211858 | 645 | 300 | 547 | VOE 14215719 | 911 | 400 | 811 |
| VOE 13971096 | 252 | 100 | 99 | VOE 13975980 | 914 | 350 | 843 | VOE 14023608 | 379 | 100 | 305 | VOE 14211858 | 645 | 300 | 549 | VOE 14236931 | 911 | 250 | 801 |
| VOE 13971096 | 263 | 150 | 127 | VOE 13976154 | 362 | 150 | 187 | VOE 14023934 | 379 | 100 | 303 | VOE 14211858 | 647 | 100 | 557 | VOE 14264044 | 261 | 100 | 109 |
| VOE 13971096 | 715 | 250 | 587 | VOE 13976479 | 914 | 100 | 831 | VOE 14041917 | 924 | 200 | 871 | VOE 14211859 | 645 | 300 | 549 | VOE 14264045 | 261 | 100 | 109 |
| VOE 13971096 | 741 | 100 | 597 | VOE 13976479 | 914 | 150 | 835 | VOE 14042936 | 261 | 250 | 117 | VOE 14211859 | 660 | 100 | 565 | VOE 14267351 | 371 | 300 | 217 |
| VOE 13971096 | 821 | 150 | 629 | VOE 13976750 | 379 | 400 | 329 | VOE 14042936 | 924 | 300 | 877 | VOE 14211859 | 916 | 100 | 857 | VOE 14267351 | 379 | 150 | 315 |
| VOE 13971096 | 821 | 160 | 633 | VOE 13977599 | 223 | 150 | 77 | VOE 14043289 | 945 | 150 | 883 | VOE 14211859 | 924 | 300 | 877 | VOE 14340067 | 372 | 200 | 301 |
| VOE 13971096 | 823 | 100 | 643 | VOE 13977599 | 261 | 250 | 117 | VOE 14047212 | 924 | 200 | 871 | VOE 14211860 | 645 | 100 | 537 | VOE 14340330 | 379 | 150 | 315 |
| VOE 13971096 | 823 | 110 | 647 | VOE 13977599 | 263 | 125 | 125 | VOE 14048189 | 911 | 250 | 801 | VOE 14211860 | 645 | 300 | 547 | VOE 14340957 | 371 | 300 | 217 |
| VOE 13971096 | 912 | 100 | 821 | VOE 13977599 | 371 | 100 | 199 | VOE 14048189 | 911 | 500 | 815 | VOE 14211863 | 223 | 150 | 77 | VOE 14341053 | 363 | 100 | 193 |
| VOE 13971098 | 263 | 150 | 127 | VOE 13977599 | 371 | 100 | 201 | VOE 14048189 | 911 | 550 | 817 | VOE 14211863 | 263 | 125 | 123 | VOE 14341605 | 821 | 100 | 625 |
| VOE 13971098 | 321 | 100 | 159 | VOE 13977599 | 371 | 200 | 207 | VOE 14211217 | 263 | 300 | 135 | VOE 14211863 | 522 | 100 | 503 | VOE 14342769 | 256 | 100 | 103 |
| VOE 13971098 | 527 | 200 | 517 | VOE 13977599 | 371 | 250 | 211 | VOE 14211217 | 313 | 100 | 157 | VOE 14211863 | 522 | 100 | 505 | VOE 14343156 | 371 | 700 | 249 |
| VOE 13971098 | 711 | 100 | 579 | VOE 13977599 | 371 | 350 | 221 | VOE 14211856 | 263 | 125 | 123 | VOE 14211863 | 647 | 100 | 557 | VOE 14343156 | 379 | 150 | 313 |
| VOE 13971098 | 821 | 150 | 629 | VOE 13977599 | 371 | 400 | 225 | VOE 14211856 | 420 | 150 | 395 | VOE 14211863 | 911 | 350 | 809 | VOE 14343206 | 882 | 100 | 755 |

| Part No | Group | Sect | Page | Part No | Group | Sect | Page | Part No | Group | Sect | Page | Part No | Group | Sect | Page | Part No | Group | Sect | Page |
|--------------|-------|------|------|-------------|-------|------|------|-------------|-------|------|------|-------------|-------|------|------|--------------|-------|------|------|
| VOE 14343207 | 882 | 100 | 755 | VOE 1522102 | 468 | 100 | 483 | VOE 1588548 | 821 | 160 | 633 | VOE 1625880 | 321 | 150 | 161 | VOE 184645 | 421 | 350 | 427 |
| VOE 14344147 | 821 | 100 | 623 | VOE 1522134 | 468 | 100 | 483 | VOE 1588548 | 821 | 200 | 639 | VOE 1625880 | 321 | 200 | 163 | VOE 184645 | 645 | 400 | 553 |
| VOE 14345423 | 263 | 125 | 123 | VOE 1522135 | 468 | 100 | 483 | VOE 1588548 | 823 | 100 | 641 | VOE 1626372 | 380 | 100 | 351 | VOE 184660 | 461 | 150 | 471 |
| VOE 14345423 | 420 | 150 | 395 | VOE 1522293 | 461 | 200 | 473 | VOE 1588548 | 823 | 110 | 645 | VOE 1626372 | 380 | 125 | 355 | VOE 184660 | 463 | 150 | 477 |
| VOE 14345423 | 468 | 150 | 485 | VOE 1522293 | 463 | 250 | 481 | VOE 1589502 | 380 | 100 | 351 | VOE 1660378 | 256 | 100 | 103 | VOE 184688 | 463 | 150 | 477 |
| VOE 14345423 | 522 | 325 | 511 | VOE 1522445 | 468 | 100 | 483 | VOE 1589502 | 380 | 125 | 355 | VOE 1675066 | 258 | 100 | 107 | VOE 184697 | 434 | 100 | 441 |
| VOE 14345423 | 551 | 250 | 519 | VOE 1523084 | 468 | 100 | 483 | VOE 1592290 | 831 | 150 | 671 | VOE 1675830 | 321 | 100 | 159 | VOE 184698 | 434 | 100 | 441 |
| VOE 14345423 | 911 | 350 | 809 | VOE 1523087 | 468 | 100 | 483 | VOE 1594043 | 386 | 150 | 371 | VOE 1676424 | 258 | 100 | 107 | VOE 184707 | 741 | 100 | 597 |
| VOE 14345423 | 914 | 100 | 831 | VOE 1523317 | 461 | 200 | 473 | VOE 1594043 | 647 | 200 | 563 | VOE 1676586 | 874 | 150 | 735 | VOE 184810 | 434 | 100 | 441 |
| VOE 14345423 | 914 | 100 | 833 | VOE 1523317 | 463 | 250 | 481 | VOE 1598662 | 379 | 900 | 347 | VOE 1696529 | 852 | 150 | 695 | VOE 184838 | 461 | 200 | 473 |
| VOE 14345423 | 914 | 200 | 837 | VOE 1523318 | 461 | 200 | 473 | VOE 1598753 | 371 | 650 | 245 | VOE 1696529 | 852 | 200 | 697 | VOE 184838 | 463 | 250 | 481 |
| VOE 14345423 | 914 | 600 | 847 | VOE 1523318 | 463 | 250 | 481 | VOE 1598753 | 379 | 700 | 339 | VOE 1696529 | 852 | 250 | 699 | VOE 184853 | 421 | 100 | 409 |
| VOE 14345423 | 916 | 100 | 859 | VOE 1523319 | 461 | 200 | 473 | VOE 1605668 | 371 | 500 | 229 | VOE 1696529 | 852 | 450 | 707 | VOE 185501 | 379 | 150 | 311 |
| VOE 14345423 | 924 | 100 | 865 | VOE 1523319 | 463 | 250 | 481 | VOE 1605668 | 371 | 525 | 233 | VOE 1697032 | 321 | 150 | 161 | VOE 185506 | 379 | 150 | 311 |
| VOE 14346045 | 256 | 100 | 103 | VOE 1524587 | 461 | 150 | 469 | VOE 1605668 | 379 | 800 | 341 | VOE 1697033 | 321 | 150 | 161 | VOE 190665 | 371 | 1050 | 271 |
| VOE 14346120 | 256 | 100 | 103 | VOE 1542591 | 261 | 150 | 111 | VOE 1608765 | 379 | 700 | 339 | VOE 1698164 | 234 | 100 | 83 | VOE 190708 | 896 | 150 | 775 |
| VOE 14346120 | 256 | 150 | 105 | VOE 1544730 | 258 | 100 | 107 | VOE 1608766 | 379 | 700 | 339 | VOE 1698183 | 321 | 150 | 161 | VOE 190993 | 256 | 100 | 103 |
| VOE 14346256 | 321 | 100 | 159 | VOE 1544732 | 256 | 100 | 103 | VOE 1609046 | 380 | 150 | 359 | VOE 1698183 | 321 | 200 | 163 | VOE 190993 | 390 | 100 | 375 |
| VOE 14346331 | 371 | 250 | 209 | VOE 1544734 | 256 | 100 | 103 | VOE 1610882 | 831 | 150 | 671 | VOE 1698188 | 321 | 150 | 161 | VOE 191695 | 831 | 150 | 671 |
| VOE 14346331 | 371 | 300 | 215 | VOE 1544736 | 256 | 100 | 103 | VOE 1613241 | 321 | 150 | 161 | VOE 1698627 | 873 | 100 | 729 | VOE 191859 | 379 | 100 | 309 |
| VOE 14346331 | 371 | 700 | 251 | VOE 1573077 | 379 | 150 | 315 | VOE 1614562 | 831 | 150 | 671 | VOE 181006 | 421 | 250 | 419 | VOE 191910 | 371 | 550 | 239 |
| VOE 14346331 | 371 | 950 | 263 | VOE 1576682 | 352 | 200 | 175 | VOE 1614564 | 831 | 150 | 671 | VOE 183124 | 421 | 100 | 409 | VOE 192248 | 363 | 200 | 197 |
| VOE 14346331 | 379 | 150 | 315 | VOE 1576684 | 352 | 200 | 175 | VOE 1620582 | 371 | 250 | 209 | VOE 183592 | 421 | 350 | 427 | VOE 192557 | 881 | 200 | 753 |
| VOE 14346386 | 379 | 150 | 315 | VOE 1577712 | 363 | 200 | 197 | VOE 1620582 | 371 | 300 | 217 | VOE 183665 | 434 | 100 | 441 | VOE 192601 | 522 | 100 | 503 |
| VOE 14370760 | 352 | 150 | 173 | VOE 1578835 | 352 | 100 | 171 | VOE 1620582 | 379 | 150 | 315 | VOE 183704 | 461 | 150 | 469 | VOE 192601 | 912 | 100 | 819 |
| VOE 14370760 | 371 | 300 | 217 | VOE 1578835 | 353 | 100 | 179 | VOE 1624477 | 371 | 250 | 211 | VOE 184062 | 645 | 200 | 545 | VOE 192618 | 363 | 200 | 197 |
| VOE 14370760 | 371 | 600 | 241 | VOE 1578846 | 380 | 150 | 359 | VOE 1624477 | 371 | 300 | 217 | VOE 184212 | 421 | 100 | 409 | VOE 20367490 | 333 | 100 | 169 |
| VOE 14370760 | 371 | 800 | 255 | VOE 1580247 | 363 | 200 | 197 | VOE 1624477 | 371 | 400 | 223 | VOE 184230 | 421 | 100 | 409 | VOE 20367490 | 371 | 950 | 263 |
| VOE 14370880 | 371 | 600 | 241 | VOE 1580443 | 831 | 150 | 671 | VOE 1624477 | 371 | 650 | 245 | VOE 184336 | 421 | 100 | 409 | VOE 20367490 | 386 | 100 | 367 |
| VOE 14371536 | 371 | 250 | 209 | VOE 1580822 | 363 | 200 | 197 | VOE 1624477 | 371 | 700 | 251 | VOE 184347 | 421 | 250 | 419 | VOE 20374157 | 371 | 700 | 251 |
| VOE 1518748 | 852 | 150 | 695 | VOE 1582293 | 371 | 100 | 199 | VOE 1624477 | 371 | 800 | 255 | VOE 184347 | 421 | 300 | 423 | VOE 20374662 | 371 | 900 | 261 |
| VOE 1518748 | 852 | 200 | 697 | VOE 1586917 | 380 | 150 | 359 | VOE 1624477 | 371 | 950 | 263 | VOE 184428 | 645 | 150 | 543 | VOE 20374662 | 371 | 1050 | 271 |
| VOE 1518748 | 852 | 250 | 699 | VOE 1587964 | 873 | 150 | 731 | VOE 1624477 | 371 | 1650 | 289 | VOE 184637 | 461 | 150 | 469 | VOE 20374662 | 371 | 1500 | 285 |
| VOE 1518748 | 852 | 450 | 707 | VOE 1588548 | 263 | 150 | 127 | VOE 1624477 | 379 | 700 | 337 | VOE 184645 | 421 | 250 | 419 | VOE 20374662 | 372 | 150 | 297 |
| VOE 1522099 | 468 | 100 | 483 | VOE 1588548 | 821 | 150 | 629 | VOE 1624613 | 252 | 100 | 99 | VOE 184645 | 421 | 300 | 423 | VOE 20374662 | 372 | 200 | 301 |

| | | | | | | |
|---|-------------------------|--|-------------------------------------|-----------------------------|---------------------------------------|--------------------------|
| NUMERICAL INDEX RÉPERTOIRE DE NUMÉROS NUMMERREGISTER | INDICE DE NÚMERO | | Catalogue id 20007 | Group 1000 | | |
| | NUMMERREGISTER | | | | Issue VOE 63D9920007 | Page 21 |
| | | | | | | |

VOLVO

L90E

| NUMERICAL INDEX | | | | INDICE DE NÚMERO | | | | Catalogue id | | | | Group | | | | | | | |
|-----------------------|-------|------|------|------------------|-------|------|------|----------------|-------|------|------|--------------|-------|------|------|--------------|-------|------|------|
| RÉPERTOIRE DE NUMÉROS | | | | NUMMERREGISTER | | | | 20007 | | | | 1000 | | | | | | | |
| NUMMERNREGISTER | | | | | | | | Issue | | | | Page | | | | | | | |
| | | | | | | | | VOE 63D9920007 | | | | 22 | | | | | | | |
| Part No | Group | Sect | Page | Part No | Group | Sect | Page | Part No | Group | Sect | Page | Part No | Group | Sect | Page | Part No | Group | Sect | Page |
| VOE 20374662 | 386 | 100 | 365 | VOE 20405788 | 371 | 150 | 203 | VOE 20412343 | 210 | 50 | 41 | VOE 20450801 | 215 | 100 | 59 | VOE 20459146 | 216 | 100 | 61 |
| VOE 20374662 | 882 | 550 | 765 | VOE 20405789 | 255 | 100 | 101 | VOE 20412343 | 217 | 100 | 65 | VOE 20450805 | 263 | 250 | 133 | VOE 20459149 | 210 | 50 | 41 |
| VOE 20393421 | 313 | 100 | 157 | VOE 20405790 | 210 | 50 | 45 | VOE 20412359 | 210 | 50 | 41 | VOE 20450807 | 263 | 250 | 133 | VOE 20459149 | 216 | 100 | 61 |
| VOE 20405504 | 251 | 100 | 97 | VOE 20405790 | 255 | 100 | 101 | VOE 20412359 | 212 | 100 | 51 | VOE 20450809 | 263 | 250 | 133 | VOE 20459157 | 216 | 100 | 61 |
| VOE 20405506 | 217 | 100 | 65 | VOE 20405792 | 217 | 100 | 65 | VOE 20412424 | 216 | 100 | 61 | VOE 20450811 | 263 | 250 | 133 | VOE 20459164 | 217 | 100 | 65 |
| VOE 20405524 | 214 | 100 | 57 | VOE 20405792 | 255 | 100 | 101 | VOE 20412589 | 211 | 100 | 49 | VOE 20450818 | 263 | 250 | 133 | VOE 20459168 | 210 | 50 | 41 |
| VOE 20405559 | 237 | 100 | 95 | VOE 20405792 | 262 | 100 | 119 | VOE 20412733 | 211 | 100 | 49 | VOE 20450820 | 263 | 250 | 133 | VOE 20459168 | 221 | 100 | 71 |
| VOE 20405561 | 221 | 100 | 71 | VOE 20405822 | 210 | 50 | 43 | VOE 20412745 | 211 | 100 | 49 | VOE 20450821 | 263 | 250 | 133 | VOE 20459174 | 255 | 100 | 101 |
| VOE 20405584 | 212 | 100 | 51 | VOE 20405822 | 255 | 100 | 101 | VOE 20412745 | 212 | 100 | 51 | VOE 20450822 | 263 | 250 | 133 | VOE 20459178 | 255 | 100 | 101 |
| VOE 20405587 | 210 | 50 | 45 | VOE 20405825 | 210 | 50 | 41 | VOE 20438083 | 352 | 250 | 177 | VOE 20450838 | 216 | 100 | 61 | VOE 20459183 | 371 | 150 | 203 |
| VOE 20405588 | 210 | 50 | 45 | VOE 20405825 | 217 | 100 | 65 | VOE 20450628 | 216 | 100 | 61 | VOE 20450890 | 223 | 100 | 73 | VOE 20459188 | 255 | 100 | 101 |
| VOE 20405588 | 251 | 100 | 97 | VOE 20405835 | 217 | 100 | 65 | VOE 20450667 | 237 | 100 | 95 | VOE 20450987 | 255 | 100 | 101 | VOE 20459191 | 223 | 100 | 73 |
| VOE 20405599 | 223 | 100 | 73 | VOE 20405874 | 255 | 100 | 101 | VOE 20450683 | 371 | 150 | 203 | VOE 20450997 | 251 | 100 | 97 | VOE 20459192 | 210 | 50 | 41 |
| VOE 20405603 | 221 | 100 | 71 | VOE 20405885 | 210 | 50 | 43 | VOE 20450685 | 237 | 100 | 95 | VOE 20450997 | 371 | 150 | 203 | VOE 20459192 | 223 | 100 | 73 |
| VOE 20405605 | 215 | 100 | 59 | VOE 20405885 | 217 | 100 | 65 | VOE 20450685 | 371 | 150 | 203 | VOE 20451738 | 221 | 100 | 71 | VOE 20459193 | 210 | 50 | 41 |
| VOE 20405627 | 210 | 50 | 43 | VOE 20405885 | 223 | 100 | 73 | VOE 20450685 | 386 | 150 | 369 | VOE 20455097 | 393 | 100 | 377 | VOE 20459193 | 223 | 100 | 73 |
| VOE 20405627 | 212 | 150 | 53 | VOE 20405885 | 255 | 100 | 101 | VOE 20450687 | 371 | 150 | 203 | VOE 20459005 | 210 | 50 | 43 | VOE 20459194 | 223 | 100 | 73 |
| VOE 20405634 | 216 | 100 | 61 | VOE 20405898 | 251 | 100 | 97 | VOE 20450687 | 386 | 150 | 369 | VOE 20459015 | 371 | 150 | 203 | VOE 20459195 | 223 | 100 | 73 |
| VOE 20405646 | 215 | 100 | 59 | VOE 20405898 | 331 | 100 | 165 | VOE 20450691 | 371 | 150 | 203 | VOE 20459022 | 371 | 150 | 203 | VOE 20459195 | 262 | 100 | 119 |
| VOE 20405653 | 215 | 100 | 59 | VOE 20405898 | 371 | 150 | 203 | VOE 20450693 | 371 | 150 | 203 | VOE 20459023 | 371 | 150 | 203 | VOE 20459196 | 223 | 100 | 73 |
| VOE 20405672 | 215 | 100 | 59 | VOE 20405906 | 212 | 100 | 51 | VOE 20450693 | 386 | 150 | 369 | VOE 20459062 | 331 | 150 | 167 | VOE 20459197 | 223 | 100 | 73 |
| VOE 20405672 | 221 | 100 | 71 | VOE 20405917 | 223 | 100 | 73 | VOE 20450694 | 371 | 150 | 203 | VOE 20459065 | 210 | 50 | 43 | VOE 20459200 | 223 | 100 | 73 |
| VOE 20405672 | 223 | 100 | 73 | VOE 20405938 | 210 | 50 | 45 | VOE 20450695 | 371 | 150 | 203 | VOE 20459065 | 331 | 100 | 165 | VOE 20459201 | 223 | 100 | 73 |
| VOE 20405672 | 262 | 100 | 119 | VOE 20405938 | 212 | 150 | 53 | VOE 20450695 | 386 | 150 | 369 | VOE 20459115 | 210 | 50 | 41 | VOE 20459202 | 223 | 100 | 73 |
| VOE 20405709 | 221 | 100 | 71 | VOE 20405969 | 210 | 50 | 43 | VOE 20450700 | 371 | 150 | 203 | VOE 20459115 | 215 | 100 | 59 | VOE 20459203 | 223 | 100 | 73 |
| VOE 20405716 | 212 | 100 | 51 | VOE 20405969 | 255 | 100 | 101 | VOE 20450707 | 371 | 150 | 203 | VOE 20459115 | 216 | 100 | 61 | VOE 20459204 | 223 | 100 | 73 |
| VOE 20405717 | 212 | 100 | 51 | VOE 20405970 | 210 | 50 | 45 | VOE 20450707 | 386 | 150 | 369 | VOE 20459123 | 263 | 250 | 133 | VOE 20459212 | 210 | 50 | 41 |
| VOE 20405718 | 212 | 100 | 51 | VOE 20405970 | 251 | 100 | 97 | VOE 20450728 | 212 | 150 | 53 | VOE 20459126 | 216 | 100 | 61 | VOE 20459215 | 210 | 50 | 41 |
| VOE 20405719 | 212 | 100 | 51 | VOE 20412308 | 210 | 50 | 45 | VOE 20450735 | 262 | 100 | 119 | VOE 20459127 | 216 | 100 | 61 | VOE 20459222 | 210 | 50 | 45 |
| VOE 20405721 | 212 | 100 | 51 | VOE 20412308 | 251 | 100 | 97 | VOE 20450736 | 210 | 50 | 43 | VOE 20459133 | 216 | 100 | 61 | VOE 20459222 | 251 | 100 | 97 |
| VOE 20405722 | 212 | 100 | 51 | VOE 20412314 | 251 | 100 | 97 | VOE 20450736 | 262 | 100 | 119 | VOE 20459134 | 216 | 100 | 61 | VOE 20459226 | 210 | 50 | 43 |
| VOE 20405724 | 216 | 100 | 61 | VOE 20412324 | 215 | 100 | 59 | VOE 20450745 | 262 | 100 | 119 | VOE 20459140 | 210 | 50 | 41 | VOE 20459226 | 251 | 100 | 97 |
| VOE 20405728 | 212 | 100 | 51 | VOE 20412324 | 221 | 100 | 71 | VOE 20450756 | 211 | 100 | 49 | VOE 20459140 | 216 | 100 | 61 | VOE 20459234 | 251 | 100 | 97 |
| VOE 20405734 | 233 | 100 | 81 | VOE 20412324 | 223 | 100 | 73 | VOE 20450778 | 212 | 100 | 51 | VOE 20459143 | 216 | 100 | 61 | VOE 20459252 | 212 | 150 | 53 |
| VOE 20405767 | 233 | 100 | 81 | VOE 20412324 | 262 | 100 | 119 | VOE 20450784 | 216 | 150 | 63 | VOE 20459144 | 216 | 100 | 61 | VOE 20459828 | 210 | 50 | 43 |

| Part No | Group | Sect | Page | Part No | Group | Sect | Page | Part No | Group | Sect | Page | Part No | Group | Sect | Page | Part No | Group | Sect | Page |
|--------------|-------|------|------|--------------|-------|------|------|--------------|-------|------|------|--------------|-------|------|------|--------------|-------|------|------|
| VOE 20459828 | 211 | 100 | 49 | VOE 20459955 | 210 | 50 | 45 | VOE 20460061 | 210 | 50 | 43 | VOE 20496587 | 262 | 100 | 119 | VOE 20537521 | 217 | 100 | 65 |
| VOE 20459830 | 211 | 100 | 49 | VOE 20459956 | 262 | 100 | 119 | VOE 20460061 | 237 | 100 | 95 | VOE 20497044 | 233 | 100 | 81 | VOE 20539561 | 881 | 200 | 753 |
| VOE 20459830 | 251 | 100 | 97 | VOE 20459958 | 210 | 50 | 43 | VOE 20460063 | 233 | 100 | 81 | VOE 20498227 | 251 | 100 | 97 | VOE 20542870 | 255 | 100 | 101 |
| VOE 20459831 | 211 | 100 | 49 | VOE 20459958 | 262 | 100 | 119 | VOE 20460073 | 210 | 50 | 43 | VOE 20498498 | 251 | 100 | 97 | VOE 20549383 | 237 | 100 | 95 |
| VOE 20459837 | 211 | 100 | 49 | VOE 20459961 | 210 | 50 | 43 | VOE 20460073 | 237 | 100 | 95 | VOE 20498524 | 251 | 100 | 97 | VOE 20551332 | 371 | 175 | 205 |
| VOE 20459838 | 211 | 100 | 49 | VOE 20459961 | 262 | 100 | 119 | VOE 20460075 | 237 | 100 | 95 | VOE 20498532 | 251 | 100 | 97 | VOE 20551333 | 371 | 175 | 205 |
| VOE 20459839 | 210 | 50 | 43 | VOE 20459984 | 216 | 150 | 63 | VOE 20460075 | 386 | 100 | 367 | VOE 20498595 | 233 | 100 | 81 | VOE 20551334 | 371 | 175 | 205 |
| VOE 20459839 | 211 | 100 | 49 | VOE 20459988 | 216 | 150 | 63 | VOE 20460098 | 237 | 100 | 95 | VOE 20498711 | 211 | 100 | 49 | VOE 20551408 | 371 | 175 | 205 |
| VOE 20459843 | 210 | 50 | 43 | VOE 20459991 | 216 | 150 | 63 | VOE 20460100 | 210 | 50 | 45 | VOE 20501346 | 216 | 150 | 63 | VOE 20551409 | 371 | 175 | 205 |
| VOE 20459843 | 211 | 100 | 49 | VOE 20459993 | 216 | 150 | 63 | VOE 20460100 | 237 | 100 | 95 | VOE 20502005 | 214 | 100 | 57 | VOE 20551427 | 371 | 175 | 205 |
| VOE 20459844 | 210 | 50 | 43 | VOE 20459994 | 216 | 150 | 63 | VOE 20460123 | 251 | 100 | 97 | VOE 20502113 | 221 | 100 | 71 | VOE 20551428 | 371 | 175 | 205 |
| VOE 20459844 | 211 | 100 | 49 | VOE 20459997 | 210 | 50 | 41 | VOE 20460124 | 251 | 100 | 97 | VOE 20502267 | 237 | 100 | 95 | VOE 20551431 | 216 | 100 | 61 |
| VOE 20459845 | 210 | 50 | 43 | VOE 20459997 | 212 | 100 | 51 | VOE 20460126 | 251 | 100 | 97 | VOE 20502270 | 237 | 100 | 95 | VOE 20551457 | 237 | 100 | 95 |
| VOE 20459845 | 211 | 100 | 49 | VOE 20459997 | 213 | 100 | 55 | VOE 20460127 | 251 | 100 | 97 | VOE 20503551 | 218 | 100 | 69 | VOE 20555403 | 210 | 50 | 41 |
| VOE 20459847 | 214 | 100 | 57 | VOE 20459998 | 210 | 50 | 41 | VOE 20460244 | 210 | 50 | 43 | VOE 20504411 | 237 | 100 | 95 | VOE 20555403 | 216 | 100 | 61 |
| VOE 20459848 | 214 | 100 | 57 | VOE 20459998 | 212 | 100 | 51 | VOE 20460248 | 210 | 50 | 43 | VOE 20505959 | 210 | 50 | 45 | VOE 20557208 | 210 | 50 | 45 |
| VOE 20459849 | 214 | 100 | 57 | VOE 20459999 | 210 | 50 | 41 | VOE 20460793 | 216 | 100 | 61 | VOE 20505959 | 251 | 100 | 97 | VOE 20557208 | 251 | 100 | 97 |
| VOE 20459850 | 214 | 100 | 57 | VOE 20459999 | 212 | 100 | 51 | VOE 20464429 | 262 | 100 | 119 | VOE 20509407 | 331 | 100 | 165 | VOE 20557401 | 221 | 100 | 71 |
| VOE 20459851 | 211 | 100 | 49 | VOE 20460001 | 212 | 100 | 51 | VOE 20464778 | 331 | 150 | 167 | VOE 20509445 | 223 | 100 | 73 | VOE 20560843 | 256 | 100 | 103 |
| VOE 20459852 | 211 | 100 | 49 | VOE 20460006 | 212 | 100 | 51 | VOE 20464779 | 331 | 150 | 167 | VOE 20511773 | 223 | 100 | 73 | VOE 20560843 | 386 | 150 | 369 |
| VOE 20459853 | 214 | 100 | 57 | VOE 20460007 | 214 | 100 | 57 | VOE 20480536 | 210 | 50 | 41 | VOE 20512957 | 263 | 250 | 133 | VOE 20565204 | 210 | 50 | 45 |
| VOE 20459854 | 211 | 100 | 49 | VOE 20460008 | 214 | 100 | 57 | VOE 20480536 | 216 | 100 | 61 | VOE 20515652 | 237 | 100 | 95 | VOE 20565204 | 251 | 100 | 97 |
| VOE 20459855 | 210 | 50 | 43 | VOE 20460009 | 210 | 50 | 41 | VOE 20482768 | 371 | 175 | 205 | VOE 20516985 | 216 | 100 | 61 | VOE 20572781 | 216 | 100 | 61 |
| VOE 20459855 | 211 | 100 | 49 | VOE 20460009 | 213 | 100 | 55 | VOE 20482770 | 371 | 175 | 205 | VOE 20516987 | 217 | 100 | 65 | VOE 20572806 | 251 | 100 | 97 |
| VOE 20459857 | 211 | 100 | 49 | VOE 20460010 | 210 | 50 | 41 | VOE 20482772 | 371 | 150 | 203 | VOE 20517097 | 237 | 100 | 95 | VOE 20574451 | 221 | 100 | 71 |
| VOE 20459861 | 211 | 100 | 49 | VOE 20460010 | 213 | 100 | 55 | VOE 20482772 | 386 | 150 | 369 | VOE 20517103 | 262 | 100 | 119 | VOE 20575919 | 251 | 100 | 97 |
| VOE 20459862 | 211 | 100 | 49 | VOE 20460011 | 210 | 50 | 41 | VOE 20482787 | 215 | 100 | 59 | VOE 20523284 | 216 | 100 | 61 | VOE 20592802 | 215 | 100 | 59 |
| VOE 20459898 | 212 | 100 | 51 | VOE 20460011 | 213 | 100 | 55 | VOE 20485256 | 237 | 100 | 95 | VOE 20531832 | 210 | 50 | 45 | VOE 20702078 | 212 | 100 | 51 |
| VOE 20459901 | 215 | 100 | 59 | VOE 20460022 | 217 | 100 | 65 | VOE 20496256 | 217 | 100 | 65 | VOE 20531832 | 251 | 100 | 97 | VOE 20714251 | 331 | 100 | 165 |
| VOE 20459905 | 237 | 100 | 95 | VOE 20460024 | 217 | 100 | 65 | VOE 20496257 | 217 | 100 | 65 | VOE 20532680 | 212 | 100 | 51 | VOE 22523 | 371 | 650 | 243 |
| VOE 20459942 | 262 | 100 | 119 | VOE 20460025 | 210 | 50 | 41 | VOE 20496388 | 217 | 100 | 65 | VOE 20533309 | 212 | 100 | 51 | VOE 22523 | 414 | 100 | 387 |
| VOE 20459948 | 210 | 50 | 43 | VOE 20460025 | 213 | 100 | 55 | VOE 20496392 | 221 | 100 | 71 | VOE 20535037 | 211 | 100 | 49 | VOE 22523 | 420 | 100 | 389 |
| VOE 20459948 | 262 | 100 | 119 | VOE 20460026 | 217 | 100 | 65 | VOE 20496519 | 223 | 100 | 73 | VOE 20537029 | 210 | 50 | 41 | VOE 22523 | 421 | 100 | 409 |
| VOE 20459953 | 210 | 50 | 45 | VOE 20460032 | 233 | 100 | 81 | VOE 20496548 | 223 | 100 | 75 | VOE 20537029 | 221 | 100 | 71 | VOE 22523 | 421 | 150 | 411 |
| VOE 20459954 | 210 | 50 | 43 | VOE 20460044 | 233 | 100 | 81 | VOE 20496558 | 251 | 100 | 97 | VOE 20537210 | 237 | 100 | 95 | VOE 22523 | 421 | 200 | 413 |

| | | | |
|--|--|--------------------------------|----------------------|
| NUMERICAL INDEX RÉPERTOIRE DE NUMÉROS NUMMERNREGISTER | INDICE DE NÚMERO NUMMERREGISTER | Catalogue id 2007 | Group 1000 |
| | | Issue VOE 63D9920007 | Page 23 |

VOLVO

L90E

NUMERICAL INDEX
INDICE DE NÚMERO

Catalogue id

Group

20007
1000
RÉPERTOIRE DE NUMÉROS
NUMMERREGISTER

Issue

Page

VOE 63D9920007
24
NUMMERREGISTER

| Part No | Group | Sect | Page | Part No | Group | Sect | Page | Part No | Group | Sect | Page | Part No | Group | Sect | Page | Part No | Group | Sect | Page |
|-----------|-------|------|------|--------------|-------|------|------|-------------|-------|------|------|-----------|-------|------|------|-----------|-------|------|------|
| VOE 22523 | 421 | 250 | 419 | VOE 23920 | 517 | 100 | 501 | VOE 3173909 | 371 | 250 | 211 | VOE 33277 | 881 | 100 | 749 | VOE 33278 | 371 | 800 | 255 |
| VOE 22523 | 421 | 300 | 423 | VOE 241308 | 333 | 100 | 169 | VOE 3173909 | 379 | 900 | 349 | VOE 33277 | 882 | 100 | 755 | VOE 33278 | 371 | 850 | 257 |
| VOE 22523 | 421 | 350 | 427 | VOE 241308 | 371 | 200 | 207 | VOE 3173910 | 371 | 250 | 211 | VOE 33277 | 882 | 200 | 759 | VOE 33278 | 420 | 100 | 389 |
| VOE 22523 | 421 | 400 | 431 | VOE 241308 | 371 | 950 | 265 | VOE 3173910 | 379 | 900 | 349 | VOE 33278 | 217 | 150 | 67 | VOE 33278 | 420 | 150 | 393 |
| VOE 22523 | 421 | 450 | 433 | VOE 24426064 | 212 | 100 | 51 | VOE 3173913 | 371 | 250 | 211 | VOE 33278 | 218 | 100 | 69 | VOE 33278 | 420 | 200 | 397 |
| VOE 22523 | 421 | 500 | 435 | VOE 244347 | 321 | 150 | 161 | VOE 3173913 | 379 | 900 | 349 | VOE 33278 | 223 | 150 | 77 | VOE 33278 | 420 | 300 | 403 |
| VOE 22523 | 421 | 550 | 439 | VOE 244347 | 321 | 200 | 163 | VOE 3176488 | 897 | 150 | 781 | VOE 33278 | 234 | 100 | 83 | VOE 33278 | 436 | 100 | 451 |
| VOE 22523 | 434 | 100 | 441 | VOE 244611 | 321 | 150 | 161 | VOE 3199185 | 371 | 250 | 211 | VOE 33278 | 252 | 100 | 99 | VOE 33278 | 451 | 150 | 455 |
| VOE 22523 | 434 | 150 | 445 | VOE 244611 | 321 | 200 | 163 | VOE 3199185 | 379 | 900 | 349 | VOE 33278 | 256 | 100 | 103 | VOE 33278 | 451 | 200 | 457 |
| VOE 22523 | 434 | 200 | 447 | VOE 2514894 | 371 | 650 | 247 | VOE 33277 | 352 | 250 | 177 | VOE 33278 | 256 | 150 | 105 | VOE 33278 | 451 | 250 | 459 |
| VOE 22548 | 371 | 650 | 243 | VOE 2554250 | 363 | 100 | 193 | VOE 33277 | 353 | 150 | 181 | VOE 33278 | 258 | 100 | 107 | VOE 33278 | 460 | 100 | 461 |
| VOE 22548 | 414 | 100 | 387 | VOE 263005 | 451 | 250 | 459 | VOE 33277 | 363 | 100 | 193 | VOE 33278 | 261 | 100 | 109 | VOE 33278 | 460 | 150 | 463 |
| VOE 22548 | 420 | 100 | 389 | VOE 263006 | 451 | 250 | 459 | VOE 33277 | 363 | 150 | 195 | VOE 33278 | 261 | 150 | 111 | VOE 33278 | 468 | 150 | 485 |
| VOE 22548 | 421 | 100 | 409 | VOE 263012 | 451 | 250 | 459 | VOE 33277 | 363 | 200 | 197 | VOE 33278 | 261 | 200 | 113 | VOE 33278 | 491 | 100 | 489 |
| VOE 22548 | 421 | 150 | 411 | VOE 3090261 | 321 | 150 | 161 | VOE 33277 | 371 | 450 | 227 | VOE 33278 | 261 | 250 | 117 | VOE 33278 | 522 | 100 | 503 |
| VOE 22548 | 421 | 200 | 413 | VOE 3090261 | 321 | 200 | 163 | VOE 33277 | 371 | 500 | 229 | VOE 33278 | 263 | 100 | 121 | VOE 33278 | 522 | 325 | 511 |
| VOE 22548 | 421 | 250 | 419 | VOE 3090426 | 321 | 200 | 163 | VOE 33277 | 371 | 550 | 237 | VOE 33278 | 263 | 125 | 123 | VOE 33278 | 525 | 100 | 515 |
| VOE 22548 | 421 | 300 | 423 | VOE 3090431 | 321 | 150 | 161 | VOE 33277 | 371 | 600 | 241 | VOE 33278 | 263 | 150 | 127 | VOE 33278 | 527 | 200 | 517 |
| VOE 22548 | 421 | 350 | 427 | VOE 3090431 | 321 | 200 | 163 | VOE 33277 | 372 | 100 | 295 | VOE 33278 | 263 | 200 | 131 | VOE 33278 | 551 | 250 | 519 |
| VOE 22548 | 421 | 400 | 431 | VOE 3090432 | 321 | 200 | 163 | VOE 33277 | 372 | 150 | 297 | VOE 33278 | 263 | 300 | 135 | VOE 33278 | 641 | 100 | 529 |
| VOE 22548 | 421 | 450 | 433 | VOE 3090544 | 852 | 250 | 699 | VOE 33277 | 372 | 200 | 301 | VOE 33278 | 313 | 100 | 157 | VOE 33278 | 645 | 100 | 535 |
| VOE 22548 | 421 | 500 | 435 | VOE 3090569 | 852 | 150 | 695 | VOE 33277 | 380 | 100 | 351 | VOE 33278 | 321 | 100 | 159 | VOE 33278 | 645 | 150 | 543 |
| VOE 22548 | 421 | 550 | 439 | VOE 3090569 | 852 | 200 | 697 | VOE 33277 | 380 | 150 | 359 | VOE 33278 | 321 | 150 | 161 | VOE 33278 | 645 | 200 | 545 |
| VOE 22548 | 434 | 100 | 441 | VOE 3090569 | 852 | 450 | 707 | VOE 33277 | 380 | 200 | 361 | VOE 33278 | 333 | 100 | 169 | VOE 33278 | 645 | 300 | 547 |
| VOE 22548 | 434 | 150 | 445 | VOE 3091567 | 321 | 150 | 161 | VOE 33277 | 810 | 100 | 613 | VOE 33278 | 352 | 100 | 171 | VOE 33278 | 645 | 350 | 551 |
| VOE 22548 | 434 | 200 | 447 | VOE 3091567 | 321 | 200 | 163 | VOE 33277 | 810 | 150 | 615 | VOE 33278 | 352 | 150 | 173 | VOE 33278 | 645 | 400 | 553 |
| VOE 23919 | 460 | 100 | 461 | VOE 3091568 | 321 | 150 | 161 | VOE 33277 | 831 | 100 | 669 | VOE 33278 | 353 | 100 | 179 | VOE 33278 | 645 | 450 | 555 |
| VOE 23919 | 461 | 100 | 465 | VOE 3091568 | 321 | 200 | 163 | VOE 33277 | 841 | 100 | 677 | VOE 33278 | 371 | 100 | 199 | VOE 33278 | 711 | 100 | 579 |
| VOE 23919 | 461 | 150 | 469 | VOE 3091569 | 321 | 200 | 163 | VOE 33277 | 843 | 100 | 681 | VOE 33278 | 371 | 200 | 207 | VOE 33278 | 715 | 250 | 587 |
| VOE 23919 | 461 | 200 | 473 | VOE 3091629 | 852 | 250 | 699 | VOE 33277 | 843 | 200 | 685 | VOE 33278 | 371 | 250 | 209 | VOE 33278 | 716 | 100 | 593 |
| VOE 23919 | 516 | 100 | 499 | VOE 3161983 | 371 | 150 | 203 | VOE 33277 | 851 | 100 | 687 | VOE 33278 | 371 | 300 | 215 | VOE 33278 | 741 | 100 | 597 |
| VOE 23920 | 460 | 100 | 461 | VOE 3171495 | 371 | 650 | 243 | VOE 33277 | 872 | 100 | 717 | VOE 33278 | 371 | 350 | 221 | VOE 33278 | 818 | 100 | 621 |
| VOE 23920 | 463 | 100 | 475 | VOE 3171495 | 371 | 650 | 245 | VOE 33277 | 872 | 125 | 719 | VOE 33278 | 371 | 400 | 223 | VOE 33278 | 821 | 100 | 623 |
| VOE 23920 | 463 | 150 | 477 | VOE 3173907 | 379 | 900 | 349 | VOE 33277 | 872 | 200 | 725 | VOE 33278 | 371 | 700 | 249 | VOE 33278 | 821 | 150 | 629 |
| VOE 23920 | 463 | 250 | 481 | VOE 3173908 | 379 | 900 | 349 | VOE 33277 | 872 | 250 | 727 | VOE 33278 | 371 | 750 | 253 | VOE 33278 | 821 | 160 | 633 |

| Part No | Group | Sect | Page | Part No | Group | Sect | Page | Part No | Group | Sect | Page | Part No | Group | Sect | Page | Part No | Group | Sect | Page |
|-----------|-------|------|------|-----------|-------|------|------|-----------|-------|------|------|-----------|-------|------|------|-------------|-------|------|------|
| VOE 33278 | 821 | 200 | 639 | VOE 33282 | 945 | 500 | 905 | VOE 33286 | 371 | 750 | 253 | VOE 33286 | 821 | 160 | 633 | VOE 33287 | 271 | 100 | 141 |
| VOE 33278 | 823 | 100 | 641 | VOE 33285 | 945 | 150 | 883 | VOE 33286 | 371 | 800 | 255 | VOE 33286 | 821 | 200 | 639 | VOE 33287 | 352 | 250 | 177 |
| VOE 33278 | 823 | 150 | 649 | VOE 33285 | 945 | 400 | 899 | VOE 33286 | 371 | 875 | 259 | VOE 33286 | 823 | 100 | 641 | VOE 33287 | 353 | 150 | 181 |
| VOE 33278 | 825 | 100 | 653 | VOE 33286 | 217 | 150 | 67 | VOE 33286 | 420 | 100 | 389 | VOE 33286 | 823 | 150 | 649 | VOE 33287 | 371 | 525 | 233 |
| VOE 33278 | 826 | 100 | 657 | VOE 33286 | 218 | 100 | 69 | VOE 33286 | 420 | 150 | 393 | VOE 33286 | 825 | 100 | 653 | VOE 33287 | 371 | 550 | 237 |
| VOE 33278 | 826 | 110 | 659 | VOE 33286 | 223 | 150 | 77 | VOE 33286 | 420 | 200 | 397 | VOE 33286 | 826 | 120 | 663 | VOE 33287 | 371 | 600 | 241 |
| VOE 33278 | 851 | 100 | 687 | VOE 33286 | 234 | 100 | 83 | VOE 33286 | 420 | 310 | 407 | VOE 33286 | 827 | 100 | 667 | VOE 33287 | 372 | 100 | 295 |
| VOE 33278 | 873 | 100 | 729 | VOE 33286 | 252 | 100 | 99 | VOE 33286 | 436 | 100 | 451 | VOE 33286 | 851 | 150 | 689 | VOE 33287 | 372 | 150 | 297 |
| VOE 33278 | 882 | 300 | 761 | VOE 33286 | 256 | 100 | 103 | VOE 33286 | 451 | 150 | 455 | VOE 33286 | 873 | 100 | 729 | VOE 33287 | 372 | 200 | 301 |
| VOE 33278 | 911 | 100 | 793 | VOE 33286 | 256 | 150 | 105 | VOE 33286 | 451 | 200 | 457 | VOE 33286 | 882 | 300 | 761 | VOE 33287 | 380 | 125 | 355 |
| VOE 33278 | 911 | 150 | 795 | VOE 33286 | 258 | 100 | 107 | VOE 33286 | 451 | 250 | 459 | VOE 33286 | 911 | 100 | 793 | VOE 33287 | 380 | 150 | 359 |
| VOE 33278 | 911 | 200 | 799 | VOE 33286 | 261 | 100 | 109 | VOE 33286 | 460 | 100 | 461 | VOE 33286 | 911 | 150 | 795 | VOE 33287 | 380 | 200 | 361 |
| VOE 33278 | 911 | 250 | 801 | VOE 33286 | 261 | 150 | 111 | VOE 33286 | 460 | 150 | 463 | VOE 33286 | 911 | 200 | 799 | VOE 33287 | 641 | 100 | 529 |
| VOE 33278 | 911 | 300 | 805 | VOE 33286 | 261 | 200 | 113 | VOE 33286 | 468 | 150 | 485 | VOE 33286 | 911 | 250 | 801 | VOE 33287 | 641 | 150 | 531 |
| VOE 33278 | 911 | 350 | 809 | VOE 33286 | 261 | 250 | 117 | VOE 33286 | 491 | 100 | 489 | VOE 33286 | 911 | 300 | 805 | VOE 33287 | 641 | 200 | 533 |
| VOE 33278 | 911 | 400 | 811 | VOE 33286 | 263 | 100 | 121 | VOE 33286 | 522 | 100 | 503 | VOE 33286 | 911 | 350 | 809 | VOE 33287 | 810 | 200 | 619 |
| VOE 33278 | 911 | 450 | 813 | VOE 33286 | 263 | 125 | 123 | VOE 33286 | 522 | 325 | 511 | VOE 33286 | 911 | 400 | 811 | VOE 33287 | 841 | 100 | 677 |
| VOE 33278 | 911 | 500 | 815 | VOE 33286 | 263 | 150 | 127 | VOE 33286 | 525 | 100 | 515 | VOE 33286 | 911 | 450 | 813 | VOE 33287 | 851 | 150 | 689 |
| VOE 33278 | 911 | 550 | 817 | VOE 33286 | 263 | 200 | 131 | VOE 33286 | 527 | 200 | 517 | VOE 33286 | 911 | 500 | 815 | VOE 33287 | 852 | 450 | 707 |
| VOE 33278 | 912 | 300 | 823 | VOE 33286 | 263 | 300 | 135 | VOE 33286 | 551 | 250 | 519 | VOE 33286 | 911 | 550 | 817 | VOE 33287 | 881 | 150 | 751 |
| VOE 33278 | 913 | 100 | 825 | VOE 33286 | 313 | 100 | 157 | VOE 33286 | 641 | 100 | 529 | VOE 33286 | 912 | 300 | 823 | VOE 33287 | 882 | 100 | 755 |
| VOE 33278 | 913 | 150 | 827 | VOE 33286 | 321 | 100 | 159 | VOE 33286 | 645 | 100 | 535 | VOE 33286 | 913 | 100 | 825 | VOE 33287 | 882 | 200 | 759 |
| VOE 33278 | 913 | 200 | 829 | VOE 33286 | 321 | 150 | 161 | VOE 33286 | 645 | 150 | 543 | VOE 33286 | 913 | 150 | 827 | VOE 33359 | 823 | 110 | 645 |
| VOE 33278 | 914 | 100 | 831 | VOE 33286 | 333 | 100 | 169 | VOE 33286 | 645 | 200 | 545 | VOE 33286 | 913 | 200 | 829 | VOE 3523050 | 321 | 150 | 161 |
| VOE 33278 | 914 | 150 | 835 | VOE 33286 | 352 | 100 | 171 | VOE 33286 | 645 | 300 | 547 | VOE 33286 | 914 | 100 | 831 | VOE 3536771 | 831 | 150 | 673 |
| VOE 33278 | 914 | 250 | 839 | VOE 33286 | 353 | 100 | 179 | VOE 33286 | 645 | 350 | 551 | VOE 33286 | 914 | 150 | 835 | VOE 3537499 | 874 | 250 | 739 |
| VOE 33278 | 945 | 100 | 881 | VOE 33286 | 371 | 100 | 199 | VOE 33286 | 645 | 400 | 553 | VOE 33286 | 914 | 250 | 839 | VOE 3537503 | 874 | 250 | 739 |
| VOE 33278 | 945 | 150 | 883 | VOE 33286 | 371 | 200 | 207 | VOE 33286 | 645 | 450 | 555 | VOE 33286 | 945 | 100 | 881 | VOE 3537507 | 874 | 250 | 739 |
| VOE 33278 | 945 | 300 | 893 | VOE 33286 | 371 | 250 | 209 | VOE 33286 | 711 | 100 | 579 | VOE 33286 | 945 | 150 | 883 | VOE 3537507 | 874 | 300 | 743 |
| VOE 33278 | 945 | 350 | 897 | VOE 33286 | 371 | 300 | 215 | VOE 33286 | 715 | 250 | 587 | VOE 33286 | 945 | 300 | 893 | VOE 3537507 | 874 | 300 | 745 |
| VOE 33278 | 945 | 400 | 899 | VOE 33286 | 371 | 350 | 221 | VOE 33286 | 716 | 100 | 593 | VOE 33286 | 945 | 350 | 897 | VOE 3537521 | 420 | 150 | 395 |
| VOE 33278 | 945 | 410 | 901 | VOE 33286 | 371 | 400 | 223 | VOE 33286 | 741 | 100 | 597 | VOE 33286 | 945 | 400 | 899 | VOE 3537521 | 874 | 300 | 745 |
| VOE 33282 | 945 | 100 | 881 | VOE 33286 | 371 | 450 | 227 | VOE 33286 | 818 | 100 | 621 | VOE 33286 | 945 | 410 | 901 | VOE 3583078 | 913 | 150 | 827 |
| VOE 33282 | 945 | 400 | 899 | VOE 33286 | 371 | 650 | 243 | VOE 33286 | 821 | 100 | 623 | VOE 33286 | 945 | 450 | 903 | VOE 3827491 | 263 | 150 | 127 |
| VOE 33282 | 945 | 450 | 903 | VOE 33286 | 371 | 700 | 249 | VOE 33286 | 821 | 150 | 629 | VOE 33286 | 945 | 500 | 905 | VOE 382779 | 434 | 200 | 447 |

NUMERICAL INDEX

RÉPERTOIRE DE NUMÉROS

NUMMERREGISTER

INDICE DE NÚMERO

NUMMERREGISTER

| | |
|------------------------------|----------------------|
| Catalogue id 20007 | Group 1000 |
| Issue VOE 63D9920007 | Page 25 |

VOLVO

L90E

| NUMERICAL INDEX | | | | INDICE DE NÚMERO | | | | | | | | | Catalogue id 20007 | | Group 1000 | | | | | | | | | | | | |
|-----------------------|-----|------|-----|------------------|-----|------|-----|-----------------|-----|-----|-----|-------------|--------------------------------|-----|----------------------|-----------------|-----|------|-----|---------|--|--|--|-----------------|--|--|--|
| RÉPERTOIRE DE NUMÉROS | | | | NUMMERREGISTER | | | | | | | | | Issue VOE 63D9920007 | | Page 26 | | | | | | | | | | | | |
| NUMMERNREGISTER | | | | Part No | | | | Group Sect Page | | | | Part No | | | | Group Sect Page | | | | Part No | | | | Group Sect Page | | | |
| VOE 382779 | 461 | 150 | 471 | VOE 3985597 | 371 | 700 | 251 | VOE 4718167 | 420 | 100 | 389 | VOE 4766526 | 821 | 150 | 631 | VOE 4786031 | 821 | 100 | 623 | | | | | | | | |
| VOE 382779 | 463 | 150 | 479 | VOE 3985597 | 379 | 800 | 343 | VOE 4718930 | 421 | 350 | 429 | VOE 4766526 | 821 | 160 | 635 | VOE 4786031 | 821 | 200 | 639 | | | | | | | | |
| VOE 3831236 | 223 | 100 | 73 | VOE 3985598 | 371 | 300 | 215 | VOE 4720787 | 421 | 450 | 433 | VOE 4766526 | 821 | 200 | 639 | VOE 4786031 | 881 | 150 | 751 | | | | | | | | |
| VOE 383992 | 434 | 200 | 447 | VOE 3985598 | 371 | 1650 | 289 | VOE 4720798 | 421 | 100 | 409 | VOE 4766526 | 874 | 300 | 745 | VOE 4786044 | 420 | 150 | 393 | | | | | | | | |
| VOE 383992 | 461 | 150 | 471 | VOE 3985598 | 379 | 800 | 343 | VOE 4720854 | 421 | 250 | 419 | VOE 4773684 | 252 | 100 | 99 | VOE 4786044 | 810 | 200 | 619 | | | | | | | | |
| VOE 383992 | 463 | 150 | 479 | VOE 3986251 | 379 | 600 | 335 | VOE 4720854 | 421 | 300 | 423 | VOE 4780941 | 386 | 150 | 369 | VOE 4786044 | 821 | 100 | 623 | | | | | | | | |
| VOE 3943086 | 379 | 150 | 313 | VOE 3986251 | 379 | 800 | 343 | VOE 4720864 | 421 | 250 | 419 | VOE 4780941 | 386 | 150 | 371 | VOE 4786044 | 821 | 200 | 639 | | | | | | | | |
| VOE 3943089 | 379 | 150 | 313 | VOE 3986252 | 379 | 600 | 335 | VOE 4720864 | 421 | 300 | 423 | VOE 4780941 | 421 | 100 | 409 | VOE 4786044 | 851 | 150 | 689 | | | | | | | | |
| VOE 3943091 | 379 | 150 | 313 | VOE 3986252 | 379 | 800 | 343 | VOE 4720865 | 421 | 250 | 419 | VOE 4780941 | 434 | 200 | 449 | VOE 4786044 | 896 | 100 | 773 | | | | | | | | |
| VOE 3944540 | 379 | 800 | 343 | VOE 3986351 | 269 | 150 | 137 | VOE 4720865 | 421 | 300 | 423 | VOE 4781750 | 771 | 100 | 599 | VOE 4786535 | 421 | 350 | 427 | | | | | | | | |
| VOE 3944541 | 379 | 800 | 343 | VOE 3986691 | 379 | 800 | 343 | VOE 4720869 | 421 | 350 | 427 | VOE 4782406 | 645 | 200 | 545 | VOE 4786535 | 421 | 350 | 429 | | | | | | | | |
| VOE 3944543 | 379 | 800 | 343 | VOE 3986767 | 379 | 600 | 335 | VOE 4720869 | 421 | 350 | 429 | VOE 4782479 | 645 | 150 | 543 | VOE 4786536 | 421 | 350 | 427 | | | | | | | | |
| VOE 3944654 | 379 | 800 | 343 | VOE 3986767 | 379 | 800 | 343 | VOE 4720881 | 434 | 100 | 441 | VOE 4782718 | 645 | 200 | 545 | VOE 4786536 | 421 | 350 | 429 | | | | | | | | |
| VOE 3944655 | 379 | 800 | 343 | VOE 3986768 | 379 | 600 | 335 | VOE 4720882 | 434 | 100 | 441 | VOE 4782857 | 945 | 500 | 905 | VOE 4786585 | 261 | 250 | 117 | | | | | | | | |
| VOE 3944972 | 371 | 250 | 209 | VOE 3986768 | 379 | 800 | 343 | VOE 4720883 | 434 | 100 | 441 | VOE 4782860 | 945 | 550 | 907 | VOE 4786690 | 371 | 1150 | 277 | | | | | | | | |
| VOE 3944972 | 371 | 300 | 217 | VOE 3987034 | 371 | 100 | 199 | VOE 4720905 | 434 | 150 | 445 | VOE 4784045 | 645 | 200 | 545 | VOE 4787060 | 645 | 350 | 551 | | | | | | | | |
| VOE 3944972 | 371 | 700 | 251 | VOE 3987417 | 371 | 600 | 241 | VOE 4720913 | 434 | 100 | 441 | VOE 4784048 | 945 | 500 | 905 | VOE 4787062 | 645 | 200 | 545 | | | | | | | | |
| VOE 3944972 | 379 | 800 | 343 | VOE 3987426 | 234 | 100 | 83 | VOE 4720915 | 434 | 100 | 441 | VOE 4785436 | 372 | 200 | 301 | VOE 4787288 | 434 | 100 | 441 | | | | | | | | |
| VOE 3963047 | 379 | 600 | 335 | VOE 3987785 | 321 | 150 | 161 | VOE 4720916 | 434 | 100 | 441 | VOE 4785436 | 810 | 200 | 619 | VOE 4787427 | 371 | 1050 | 271 | | | | | | | | |
| VOE 3963047 | 379 | 800 | 343 | VOE 3988328 | 371 | 250 | 211 | VOE 4720917 | 434 | 100 | 441 | VOE 4785461 | 841 | 100 | 679 | VOE 4789789 | 771 | 100 | 599 | | | | | | | | |
| VOE 3963410 | 379 | 800 | 343 | VOE 3988328 | 371 | 750 | 253 | VOE 4720947 | 434 | 100 | 441 | VOE 4785462 | 223 | 150 | 77 | VOE 4789826 | 771 | 100 | 599 | | | | | | | | |
| VOE 3963411 | 371 | 300 | 217 | VOE 419446 | 420 | 300 | 403 | VOE 4739976 | 896 | 100 | 773 | VOE 4785462 | 371 | 350 | 221 | VOE 4789869 | 771 | 100 | 599 | | | | | | | | |
| VOE 3963411 | 371 | 700 | 251 | VOE 419446 | 420 | 310 | 407 | VOE 4742010 | 821 | 150 | 629 | VOE 4785465 | 945 | 150 | 883 | VOE 479954 | 420 | 300 | 403 | | | | | | | | |
| VOE 3963411 | 379 | 800 | 343 | VOE 421158 | 420 | 150 | 393 | VOE 4742010 | 821 | 160 | 633 | VOE 4785466 | 841 | 100 | 679 | VOE 479954 | 420 | 310 | 407 | | | | | | | | |
| VOE 3963412 | 371 | 300 | 215 | VOE 421753 | 420 | 150 | 393 | VOE 4746300 | 911 | 100 | 793 | VOE 4785466 | 914 | 200 | 837 | VOE 479955 | 434 | 150 | 445 | | | | | | | | |
| VOE 3963412 | 371 | 1650 | 289 | VOE 4714601 | 641 | 100 | 529 | VOE 4746301 | 860 | 125 | 709 | VOE 4785466 | 924 | 100 | 867 | VOE 479956 | 421 | 200 | 415 | | | | | | | | |
| VOE 3963412 | 379 | 800 | 343 | VOE 4714697 | 641 | 100 | 529 | VOE 4753600 | 821 | 100 | 623 | VOE 4785466 | 945 | 150 | 883 | VOE 4803206 | 363 | 200 | 197 | | | | | | | | |
| VOE 3963413 | 371 | 250 | 211 | VOE 4716226 | 434 | 200 | 447 | VOE 4753600 | 823 | 100 | 641 | VOE 4785479 | 911 | 500 | 815 | VOE 4803208 | 363 | 200 | 197 | | | | | | | | |
| VOE 3963413 | 371 | 350 | 221 | VOE 4717504 | 461 | 150 | 471 | VOE 4753600 | 823 | 110 | 645 | VOE 4785772 | 421 | 250 | 419 | VOE 4803274 | 379 | 800 | 341 | | | | | | | | |
| VOE 3963413 | 371 | 650 | 247 | VOE 4717504 | 463 | 150 | 479 | VOE 4760805 | 641 | 100 | 529 | VOE 4785772 | 421 | 300 | 423 | VOE 4803319 | 371 | 1050 | 271 | | | | | | | | |
| VOE 3963413 | 371 | 750 | 253 | VOE 4717576 | 461 | 150 | 471 | VOE 4760805 | 641 | 150 | 531 | VOE 4785772 | 421 | 350 | 427 | VOE 4803319 | 386 | 100 | 367 | | | | | | | | |
| VOE 3963413 | 371 | 950 | 263 | VOE 4717576 | 463 | 150 | 479 | VOE 4763685 | 945 | 150 | 883 | VOE 4785772 | 421 | 350 | 429 | VOE 4803454 | 371 | 500 | 229 | | | | | | | | |
| VOE 3963413 | 379 | 800 | 343 | VOE 4718008 | 421 | 350 | 427 | VOE 4766526 | 263 | 100 | 121 | VOE 4786031 | 371 | 100 | 201 | VOE 4803454 | 371 | 525 | 233 | | | | | | | | |
| VOE 3985597 | 371 | 250 | 211 | VOE 4718062 | 421 | 200 | 415 | VOE 4766526 | 313 | 100 | 157 | VOE 4786031 | 371 | 750 | 253 | VOE 4803454 | 371 | 550 | 237 | | | | | | | | |
| VOE 3985597 | 371 | 300 | 217 | VOE 4718062 | 421 | 450 | 433 | VOE 4766526 | 821 | 100 | 625 | VOE 4786031 | 716 | 100 | 593 | VOE 4803454 | 371 | 1400 | 281 | | | | | | | | |

| Part No | Group | Sect | Page | Part No | Group | Sect | Page | Part No | Group | Sect | Page | Part No | Group | Sect | Page | Part No | Group | Sect | Page |
|-------------|-------|------|------|-------------|-------|------|------|-------------|-------|------|------|-------------|-------|------|------|-------------|-------|------|------|
| VOE 4803454 | 371 | 1700 | 291 | VOE 4803733 | 379 | 150 | 311 | VOE 4803769 | 371 | 400 | 223 | VOE 4824484 | 945 | 250 | 889 | VOE 4870248 | 463 | 150 | 477 |
| VOE 4803454 | 379 | 300 | 323 | VOE 4803734 | 379 | 150 | 311 | VOE 4803769 | 379 | 150 | 313 | VOE 4824484 | 945 | 300 | 893 | VOE 4870249 | 461 | 150 | 471 |
| VOE 4803455 | 380 | 200 | 361 | VOE 4803736 | 379 | 150 | 311 | VOE 4803771 | 379 | 150 | 313 | VOE 4824484 | 945 | 350 | 897 | VOE 4870249 | 463 | 150 | 477 |
| VOE 4803455 | 380 | 200 | 363 | VOE 4803738 | 379 | 150 | 311 | VOE 4803790 | 371 | 650 | 245 | VOE 4824485 | 945 | 250 | 889 | VOE 4870250 | 461 | 150 | 471 |
| VOE 4803456 | 380 | 200 | 361 | VOE 4803739 | 379 | 150 | 311 | VOE 4803790 | 371 | 700 | 251 | VOE 4832120 | 897 | 150 | 781 | VOE 4870250 | 463 | 150 | 477 |
| VOE 4803464 | 380 | 200 | 361 | VOE 4803740 | 379 | 150 | 311 | VOE 4803790 | 379 | 800 | 341 | VOE 4833023 | 645 | 200 | 545 | VOE 4870448 | 852 | 100 | 691 |
| VOE 4803467 | 380 | 200 | 363 | VOE 4803745 | 379 | 150 | 311 | VOE 4803791 | 371 | 650 | 245 | VOE 4837016 | 434 | 200 | 447 | VOE 4870448 | 852 | 450 | 707 |
| VOE 4803472 | 380 | 200 | 361 | VOE 4803746 | 371 | 650 | 245 | VOE 4803791 | 371 | 700 | 251 | VOE 4850208 | 741 | 100 | 597 | VOE 4871048 | 421 | 350 | 427 |
| VOE 4803521 | 380 | 200 | 361 | VOE 4803746 | 371 | 650 | 247 | VOE 4803791 | 379 | 800 | 341 | VOE 4850222 | 741 | 100 | 597 | VOE 4871048 | 421 | 350 | 429 |
| VOE 4803521 | 380 | 200 | 363 | VOE 4803746 | 371 | 1000 | 267 | VOE 4803792 | 379 | 800 | 341 | VOE 4850223 | 741 | 100 | 597 | VOE 4871208 | 421 | 250 | 419 |
| VOE 4803530 | 380 | 200 | 363 | VOE 4803746 | 371 | 1100 | 275 | VOE 4803794 | 371 | 650 | 245 | VOE 4850224 | 741 | 100 | 597 | VOE 4871223 | 421 | 250 | 419 |
| VOE 4803532 | 371 | 500 | 231 | VOE 4803746 | 371 | 1200 | 279 | VOE 4803794 | 371 | 700 | 251 | VOE 4850225 | 741 | 100 | 597 | VOE 4871223 | 421 | 300 | 423 |
| VOE 4803532 | 371 | 525 | 233 | VOE 4803746 | 371 | 1700 | 293 | VOE 4803794 | 371 | 1000 | 267 | VOE 4850665 | 872 | 200 | 725 | VOE 4871337 | 421 | 250 | 419 |
| VOE 4803532 | 371 | 550 | 237 | VOE 4803746 | 379 | 150 | 311 | VOE 4803794 | 379 | 800 | 341 | VOE 4850822 | 852 | 400 | 705 | VOE 4871337 | 421 | 250 | 421 |
| VOE 4803532 | 371 | 1400 | 281 | VOE 4803747 | 379 | 150 | 311 | VOE 4803795 | 371 | 250 | 209 | VOE 4854494 | 451 | 100 | 453 | VOE 4871337 | 421 | 300 | 423 |
| VOE 4803532 | 371 | 1700 | 291 | VOE 4803748 | 371 | 650 | 243 | VOE 4803795 | 371 | 650 | 243 | VOE 4854513 | 896 | 150 | 775 | VOE 4871337 | 421 | 300 | 425 |
| VOE 4803532 | 379 | 300 | 321 | VOE 4803748 | 371 | 650 | 245 | VOE 4803795 | 371 | 950 | 263 | VOE 4854855 | 911 | 150 | 797 | VOE 4871337 | 421 | 350 | 427 |
| VOE 4803534 | 380 | 200 | 361 | VOE 4803748 | 371 | 650 | 247 | VOE 4803795 | 371 | 1000 | 267 | VOE 4854856 | 911 | 150 | 797 | VOE 4871337 | 421 | 350 | 429 |
| VOE 4803548 | 371 | 850 | 257 | VOE 4803748 | 379 | 150 | 311 | VOE 4803795 | 379 | 150 | 313 | VOE 4854955 | 234 | 100 | 85 | VOE 4871338 | 421 | 250 | 419 |
| VOE 4803548 | 882 | 550 | 767 | VOE 4803751 | 371 | 650 | 243 | VOE 4803796 | 380 | 150 | 359 | VOE 4856263 | 261 | 200 | 113 | VOE 4871338 | 421 | 300 | 423 |
| VOE 4803548 | 882 | 600 | 771 | VOE 4803751 | 371 | 650 | 245 | VOE 4803799 | 371 | 650 | 245 | VOE 4856486 | 715 | 300 | 589 | VOE 4871338 | 421 | 350 | 427 |
| VOE 4803693 | 380 | 200 | 361 | VOE 4803751 | 379 | 150 | 311 | VOE 4803799 | 379 | 600 | 335 | VOE 4856768 | 741 | 100 | 597 | VOE 4871338 | 421 | 350 | 429 |
| VOE 4803694 | 380 | 200 | 361 | VOE 4803752 | 379 | 150 | 311 | VOE 4803799 | 379 | 800 | 341 | VOE 4856769 | 741 | 100 | 597 | VOE 4871428 | 421 | 250 | 421 |
| VOE 4803700 | 380 | 200 | 361 | VOE 4803752 | 914 | 150 | 835 | VOE 4803806 | 380 | 200 | 363 | VOE 4856770 | 741 | 100 | 597 | VOE 4871428 | 421 | 300 | 425 |
| VOE 4803711 | 371 | 300 | 215 | VOE 4803754 | 379 | 150 | 311 | VOE 4804409 | 261 | 150 | 111 | VOE 4856771 | 741 | 100 | 597 | VOE 4871469 | 461 | 100 | 465 |
| VOE 4803711 | 371 | 700 | 251 | VOE 4803754 | 420 | 200 | 397 | VOE 4804410 | 261 | 150 | 111 | VOE 4856772 | 741 | 100 | 597 | VOE 4871469 | 463 | 100 | 475 |
| VOE 4803711 | 379 | 150 | 313 | VOE 4803755 | 379 | 150 | 311 | VOE 4804414 | 261 | 150 | 111 | VOE 4856773 | 741 | 100 | 597 | VOE 4871532 | 421 | 250 | 421 |
| VOE 4803713 | 379 | 150 | 313 | VOE 4803765 | 371 | 950 | 263 | VOE 4804563 | 261 | 150 | 111 | VOE 4859489 | 826 | 100 | 657 | VOE 4871532 | 421 | 300 | 425 |
| VOE 4803714 | 379 | 150 | 313 | VOE 4803765 | 371 | 1000 | 267 | VOE 4821292 | 371 | 1000 | 269 | VOE 4859489 | 826 | 110 | 659 | VOE 4871532 | 421 | 350 | 429 |
| VOE 4803727 | 379 | 150 | 311 | VOE 4803765 | 379 | 150 | 313 | VOE 4821292 | 371 | 1700 | 293 | VOE 4859489 | 826 | 120 | 663 | VOE 4871533 | 421 | 350 | 427 |
| VOE 4803728 | 379 | 150 | 311 | VOE 4803766 | 379 | 150 | 313 | VOE 4821292 | 882 | 550 | 767 | VOE 4861316 | 821 | 100 | 623 | VOE 4880194 | 261 | 250 | 117 |
| VOE 4803729 | 379 | 150 | 311 | VOE 4803768 | 371 | 250 | 209 | VOE 4824483 | 945 | 200 | 885 | VOE 4870206 | 460 | 100 | 461 | VOE 4880492 | 263 | 125 | 123 |
| VOE 4803730 | 379 | 150 | 311 | VOE 4803768 | 371 | 650 | 243 | VOE 4824483 | 945 | 350 | 897 | VOE 4870247 | 461 | 150 | 471 | VOE 4880492 | 263 | 125 | 125 |
| VOE 4803731 | 379 | 150 | 311 | VOE 4803768 | 379 | 150 | 313 | VOE 4824484 | 945 | 150 | 883 | VOE 4870247 | 463 | 150 | 477 | VOE 4880492 | 420 | 150 | 395 |
| VOE 4803732 | 379 | 150 | 311 | VOE 4803769 | 371 | 300 | 215 | VOE 4824484 | 945 | 200 | 885 | VOE 4870248 | 461 | 150 | 471 | VOE 4880492 | 434 | 150 | 445 |

NUMERICAL INDEX

RÉPERTOIRE DE NUMÉROS

NUMMERNREGISTER

INDICE DE NÚMERO

NUMMERREGISTER

Catalogue id
20007

Group
1000

Issue
VOE 63D9920007

Page
27

VOLVO

L90E

| NUMERICAL INDEX | | | | INDICE DE NÚMERO | | | | | | | | | | | | Catalogue id | | Group | |
|-----------------------|-------|------|------|------------------|-------|------|------|-------------|-------|------|------|-------------|-------|------|------|----------------|-------|-------|------|
| RÉPERTOIRE DE NUMÉROS | | | | NUMMERREGISTER | | | | | | | | | | | | 20007 | | 1000 | |
| NUMMERNREGISTER | | | | | | | | | | | | | | | | Issue | | Page | |
| | | | | | | | | | | | | | | | | VOE 63D9920007 | | 28 | |
| Part No | Group | Sect | Page | Part No | Group | Sect | Page | Part No | Group | Sect | Page | Part No | Group | Sect | Page | Part No | Group | Sect | Page |
| VOE 4880492 | 468 | 150 | 485 | VOE 4880578 | 522 | 100 | 505 | VOE 4881438 | 911 | 450 | 813 | VOE 4881440 | 371 | 1700 | 293 | VOE 4881453 | 645 | 100 | 541 |
| VOE 4880492 | 468 | 150 | 487 | VOE 4880586 | 491 | 100 | 489 | VOE 4881438 | 914 | 100 | 831 | VOE 4881440 | 372 | 200 | 301 | VOE 4881453 | 911 | 300 | 807 |
| VOE 4880492 | 522 | 100 | 503 | VOE 4880586 | 914 | 600 | 849 | VOE 4881438 | 914 | 100 | 833 | VOE 4881440 | 380 | 100 | 351 | VOE 4881453 | 914 | 600 | 847 |
| VOE 4880492 | 522 | 300 | 507 | VOE 4880586 | 914 | 700 | 851 | VOE 4881438 | 914 | 200 | 837 | VOE 4881440 | 380 | 125 | 355 | VOE 4881454 | 420 | 200 | 397 |
| VOE 4880492 | 522 | 300 | 509 | VOE 4880647 | 874 | 300 | 743 | VOE 4881438 | 914 | 600 | 847 | VOE 4881440 | 380 | 125 | 357 | VOE 4881454 | 522 | 100 | 503 |
| VOE 4880492 | 522 | 325 | 511 | VOE 4880663 | 645 | 100 | 535 | VOE 4881440 | 235 | 110 | 93 | VOE 4881440 | 390 | 100 | 375 | VOE 4881454 | 522 | 100 | 505 |
| VOE 4880492 | 551 | 250 | 519 | VOE 4880663 | 645 | 100 | 537 | VOE 4881440 | 251 | 100 | 97 | VOE 4881440 | 420 | 200 | 397 | VOE 4881454 | 522 | 300 | 507 |
| VOE 4880492 | 551 | 250 | 521 | VOE 4880663 | 645 | 300 | 547 | VOE 4881440 | 256 | 100 | 103 | VOE 4881440 | 420 | 250 | 401 | VOE 4881454 | 914 | 600 | 847 |
| VOE 4880492 | 647 | 100 | 557 | VOE 4880663 | 647 | 100 | 557 | VOE 4881440 | 261 | 200 | 113 | VOE 4881440 | 420 | 300 | 405 | VOE 4881454 | 924 | 100 | 865 |
| VOE 4880492 | 911 | 350 | 809 | VOE 4880663 | 660 | 100 | 565 | VOE 4881440 | 261 | 250 | 117 | VOE 4881440 | 420 | 310 | 407 | VOE 4881455 | 420 | 200 | 397 |
| VOE 4880492 | 914 | 100 | 831 | VOE 4880701 | 660 | 100 | 565 | VOE 4881440 | 263 | 125 | 125 | VOE 4881440 | 460 | 150 | 463 | VOE 4881455 | 420 | 250 | 401 |
| VOE 4880492 | 914 | 100 | 833 | VOE 4880701 | 924 | 100 | 865 | VOE 4881440 | 263 | 300 | 135 | VOE 4881440 | 522 | 100 | 503 | VOE 4881455 | 522 | 100 | 503 |
| VOE 4880492 | 914 | 200 | 837 | VOE 4880972 | 421 | 350 | 427 | VOE 4881440 | 269 | 150 | 137 | VOE 4881440 | 522 | 100 | 505 | VOE 4881456 | 420 | 200 | 397 |
| VOE 4880492 | 914 | 600 | 847 | VOE 4880972 | 421 | 350 | 429 | VOE 4881440 | 269 | 250 | 139 | VOE 4881440 | 641 | 100 | 529 | VOE 4881456 | 645 | 100 | 541 |
| VOE 4880492 | 916 | 100 | 857 | VOE 4881125 | 263 | 125 | 125 | VOE 4881440 | 333 | 100 | 169 | VOE 4881440 | 641 | 150 | 531 | VOE 4881456 | 914 | 100 | 833 |
| VOE 4880492 | 916 | 100 | 859 | VOE 4881207 | 810 | 200 | 619 | VOE 4881440 | 362 | 150 | 187 | VOE 4881440 | 641 | 200 | 533 | VOE 4881457 | 420 | 200 | 397 |
| VOE 4880492 | 924 | 100 | 865 | VOE 4881207 | 823 | 300 | 651 | VOE 4881440 | 362 | 225 | 191 | VOE 4881440 | 874 | 250 | 741 | VOE 4881457 | 468 | 150 | 485 |
| VOE 4880492 | 924 | 100 | 867 | VOE 4881207 | 851 | 150 | 689 | VOE 4881440 | 371 | 150 | 203 | VOE 4881440 | 874 | 300 | 745 | VOE 4881457 | 522 | 300 | 507 |
| VOE 4880492 | 924 | 200 | 873 | VOE 4881251 | 421 | 200 | 413 | VOE 4881440 | 371 | 200 | 207 | VOE 4881440 | 911 | 300 | 807 | VOE 4881457 | 911 | 300 | 807 |
| VOE 4880492 | 924 | 250 | 875 | VOE 4881255 | 421 | 400 | 431 | VOE 4881440 | 371 | 250 | 211 | VOE 4881440 | 914 | 100 | 833 | VOE 4881457 | 914 | 600 | 847 |
| VOE 4880492 | 924 | 300 | 877 | VOE 4881255 | 421 | 500 | 435 | VOE 4881440 | 371 | 350 | 221 | VOE 4881440 | 916 | 100 | 859 | VOE 4881458 | 420 | 200 | 397 |
| VOE 4880492 | 924 | 300 | 879 | VOE 4881340 | 261 | 250 | 117 | VOE 4881440 | 371 | 400 | 225 | VOE 4881440 | 924 | 100 | 865 | VOE 4881458 | 914 | 100 | 831 |
| VOE 4880493 | 223 | 150 | 77 | VOE 4881438 | 234 | 100 | 83 | VOE 4881440 | 371 | 500 | 231 | VOE 4881440 | 945 | 450 | 903 | VOE 4881458 | 914 | 600 | 847 |
| VOE 4880493 | 263 | 125 | 123 | VOE 4881438 | 235 | 100 | 89 | VOE 4881440 | 371 | 550 | 239 | VOE 4881440 | 993 | 100 | 911 | VOE 4881459 | 420 | 200 | 397 |
| VOE 4880493 | 522 | 100 | 503 | VOE 4881438 | 362 | 100 | 185 | VOE 4881440 | 371 | 600 | 241 | VOE 4881451 | 420 | 200 | 397 | VOE 4881459 | 522 | 100 | 505 |
| VOE 4880493 | 522 | 100 | 505 | VOE 4881438 | 371 | 750 | 253 | VOE 4881440 | 371 | 650 | 247 | VOE 4881451 | 522 | 100 | 503 | VOE 4881459 | 911 | 450 | 813 |
| VOE 4880493 | 645 | 100 | 535 | VOE 4881438 | 371 | 900 | 261 | VOE 4881440 | 371 | 750 | 253 | VOE 4881451 | 911 | 300 | 807 | VOE 4881459 | 914 | 200 | 837 |
| VOE 4880493 | 645 | 300 | 547 | VOE 4881438 | 371 | 1050 | 273 | VOE 4881440 | 371 | 800 | 255 | VOE 4881451 | 911 | 450 | 813 | VOE 4881493 | 641 | 100 | 529 |
| VOE 4880493 | 645 | 300 | 549 | VOE 4881438 | 522 | 100 | 503 | VOE 4881440 | 371 | 950 | 263 | VOE 4881452 | 420 | 200 | 397 | VOE 4881656 | 872 | 125 | 719 |
| VOE 4880493 | 647 | 100 | 557 | VOE 4881438 | 522 | 300 | 507 | VOE 4881440 | 371 | 1000 | 269 | VOE 4881452 | 420 | 250 | 401 | VOE 4881722 | 522 | 100 | 503 |
| VOE 4880493 | 647 | 100 | 559 | VOE 4881438 | 522 | 300 | 509 | VOE 4881440 | 371 | 1150 | 277 | VOE 4881452 | 522 | 300 | 507 | VOE 4881722 | 645 | 100 | 539 |
| VOE 4880493 | 660 | 100 | 565 | VOE 4881438 | 641 | 150 | 531 | VOE 4881440 | 371 | 1200 | 279 | VOE 4881452 | 911 | 300 | 807 | VOE 4881722 | 645 | 100 | 541 |
| VOE 4880493 | 911 | 350 | 809 | VOE 4881438 | 645 | 100 | 541 | VOE 4881440 | 371 | 1400 | 283 | VOE 4881452 | 914 | 200 | 837 | VOE 4881722 | 647 | 100 | 559 |
| VOE 4880577 | 491 | 100 | 489 | VOE 4881438 | 851 | 100 | 687 | VOE 4881440 | 371 | 1600 | 287 | VOE 4881453 | 420 | 200 | 397 | VOE 4881722 | 660 | 100 | 565 |
| VOE 4880578 | 263 | 125 | 125 | VOE 4881438 | 911 | 300 | 807 | VOE 4881440 | 371 | 1650 | 289 | VOE 4881453 | 420 | 250 | 401 | VOE 4881722 | 911 | 300 | 805 |

| Part No | Group | Sect | Page | Part No | Group | Sect | Page | Part No | Group | Sect | Page | Part No | Group | Sect | Page | Part No | Group | Sect | Page |
|-------------|-------|------|------|-------------|-------|------|------|-------------|-------|------|------|-----------|-------|------|------|-----------|-------|------|------|
| VOE 4881722 | 914 | 600 | 847 | VOE 4951048 | 223 | 150 | 77 | VOE 6633616 | 896 | 150 | 775 | VOE 80309 | 641 | 100 | 529 | VOE 80868 | 372 | 200 | 301 |
| VOE 4881722 | 924 | 150 | 869 | VOE 4951048 | 235 | 100 | 87 | VOE 6635976 | 911 | 150 | 795 | VOE 80317 | 321 | 200 | 163 | VOE 80868 | 380 | 200 | 363 |
| VOE 4881722 | 924 | 200 | 873 | VOE 4951048 | 235 | 110 | 93 | VOE 6639845 | 645 | 400 | 553 | VOE 80322 | 641 | 150 | 531 | VOE 80868 | 874 | 100 | 733 |
| VOE 4898495 | 897 | 100 | 779 | VOE 4951893 | 715 | 300 | 589 | VOE 6646637 | 371 | 1000 | 267 | VOE 80322 | 641 | 200 | 533 | VOE 80868 | 874 | 150 | 735 |
| VOE 4898495 | 897 | 300 | 783 | VOE 4951894 | 715 | 300 | 589 | VOE 6646637 | 379 | 800 | 341 | VOE 80348 | 371 | 1050 | 271 | VOE 80868 | 874 | 200 | 737 |
| VOE 4898544 | 436 | 100 | 451 | VOE 4952167 | 897 | 300 | 783 | VOE 667352 | 363 | 200 | 197 | VOE 80352 | 352 | 200 | 175 | VOE 80868 | 874 | 250 | 739 |
| VOE 4930797 | 711 | 100 | 579 | VOE 4952173 | 897 | 300 | 783 | VOE 667751 | 831 | 100 | 669 | VOE 80390 | 881 | 200 | 753 | VOE 80868 | 874 | 300 | 743 |
| VOE 4930994 | 741 | 100 | 597 | VOE 4952181 | 897 | 100 | 779 | VOE 667751 | 843 | 200 | 685 | VOE 80490 | 865 | 100 | 715 | VOE 80868 | 874 | 350 | 747 |
| VOE 4932353 | 810 | 200 | 619 | VOE 4952181 | 897 | 300 | 783 | VOE 6848760 | 874 | 200 | 737 | VOE 80503 | 852 | 100 | 691 | VOE 80883 | 362 | 100 | 185 |
| VOE 4932353 | 874 | 250 | 739 | VOE 4955075 | 851 | 100 | 687 | VOE 6848760 | 874 | 300 | 743 | VOE 80503 | 852 | 150 | 695 | VOE 80884 | 353 | 200 | 183 |
| VOE 4932563 | 256 | 100 | 103 | VOE 4965040 | 363 | 200 | 197 | VOE 7011076 | 434 | 100 | 441 | VOE 80504 | 852 | 100 | 691 | VOE 80886 | 352 | 150 | 173 |
| VOE 4932797 | 897 | 100 | 779 | VOE 4973473 | 223 | 150 | 77 | VOE 7011998 | 210 | 50 | 41 | VOE 80504 | 852 | 200 | 697 | VOE 80886 | 372 | 150 | 297 |
| VOE 4932797 | 897 | 300 | 783 | VOE 4974291 | 468 | 150 | 485 | VOE 7011998 | 217 | 100 | 65 | VOE 80505 | 852 | 100 | 691 | VOE 80890 | 897 | 150 | 781 |
| VOE 4932840 | 897 | 100 | 779 | VOE 595377 | 645 | 400 | 553 | VOE 7017624 | 333 | 100 | 169 | VOE 80505 | 852 | 200 | 697 | VOE 80891 | 897 | 150 | 781 |
| VOE 4932840 | 897 | 300 | 783 | VOE 595380 | 645 | 400 | 553 | VOE 7019926 | 352 | 200 | 175 | VOE 80506 | 371 | 900 | 261 | VOE 80929 | 371 | 1000 | 267 |
| VOE 4935019 | 460 | 100 | 461 | VOE 595381 | 645 | 400 | 553 | VOE 7025167 | 233 | 100 | 81 | VOE 80506 | 852 | 100 | 691 | VOE 80929 | 660 | 100 | 565 |
| VOE 4935504 | 451 | 100 | 453 | VOE 595382 | 645 | 400 | 553 | VOE 7025167 | 235 | 100 | 87 | VOE 80506 | 852 | 250 | 699 | VOE 80929 | 882 | 500 | 763 |
| VOE 4935704 | 897 | 100 | 779 | VOE 595383 | 645 | 400 | 553 | VOE 7025167 | 237 | 100 | 95 | VOE 80518 | 393 | 100 | 377 | VOE 80929 | 882 | 550 | 765 |
| VOE 4935704 | 897 | 300 | 783 | VOE 6210360 | 911 | 150 | 795 | VOE 7025167 | 255 | 100 | 101 | VOE 80518 | 881 | 200 | 753 | VOE 80930 | 371 | 1700 | 291 |
| VOE 4935756 | 362 | 150 | 187 | VOE 6211922 | 645 | 400 | 553 | VOE 7025971 | 371 | 100 | 199 | VOE 80520 | 272 | 100 | 143 | VOE 80930 | 380 | 200 | 363 |
| VOE 4935756 | 362 | 225 | 191 | VOE 6212888 | 451 | 250 | 459 | VOE 7081803 | 810 | 200 | 619 | VOE 80556 | 852 | 400 | 705 | VOE 80930 | 914 | 600 | 847 |
| VOE 4936343 | 420 | 150 | 393 | VOE 6213261 | 852 | 150 | 695 | VOE 7190187 | 913 | 200 | 829 | VOE 80572 | 371 | 900 | 261 | VOE 80930 | 914 | 700 | 851 |
| VOE 4936343 | 896 | 100 | 773 | VOE 6213261 | 852 | 200 | 697 | VOE 7190339 | 379 | 100 | 309 | VOE 80572 | 852 | 100 | 691 | VOE 80930 | 924 | 100 | 865 |
| VOE 4936344 | 837 | 200 | 675 | VOE 6213261 | 852 | 450 | 707 | VOE 736392 | 896 | 150 | 775 | VOE 80572 | 852 | 350 | 703 | VOE 80931 | 371 | 300 | 219 |
| VOE 4936344 | 851 | 150 | 689 | VOE 6213305 | 645 | 400 | 553 | VOE 753546 | 896 | 150 | 775 | VOE 80678 | 924 | 150 | 869 | VOE 80931 | 371 | 350 | 221 |
| VOE 4936925 | 810 | 200 | 619 | VOE 6213452 | 363 | 100 | 193 | VOE 762681 | 380 | 125 | 355 | VOE 80800 | 896 | 100 | 773 | VOE 80931 | 371 | 1100 | 275 |
| VOE 4936925 | 851 | 150 | 689 | VOE 6513604 | 860 | 125 | 709 | VOE 762681 | 872 | 125 | 719 | VOE 80801 | 223 | 150 | 77 | VOE 80931 | 380 | 200 | 363 |
| VOE 4937914 | 882 | 200 | 759 | VOE 659603 | 882 | 550 | 765 | VOE 762681 | 881 | 150 | 751 | VOE 80801 | 235 | 110 | 91 | VOE 80931 | 916 | 100 | 855 |
| VOE 4940327 | 371 | 1050 | 273 | VOE 6600001 | 379 | 200 | 317 | VOE 784593 | 379 | 300 | 321 | VOE 80801 | 261 | 100 | 109 | VOE 80931 | 916 | 150 | 861 |
| VOE 4940327 | 371 | 1400 | 281 | VOE 6600002 | 379 | 200 | 317 | VOE 795074 | 896 | 150 | 775 | VOE 80813 | 371 | 1650 | 289 | VOE 80931 | 916 | 200 | 863 |
| VOE 4940506 | 896 | 150 | 775 | VOE 6611274 | 896 | 150 | 775 | VOE 795581 | 821 | 200 | 639 | VOE 80813 | 874 | 150 | 735 | VOE 80932 | 371 | 950 | 263 |
| VOE 4948092 | 897 | 100 | 779 | VOE 6624649 | 741 | 100 | 597 | VOE 80144 | 860 | 150 | 711 | VOE 80813 | 874 | 200 | 737 | VOE 80932 | 380 | 200 | 363 |
| VOE 4948092 | 897 | 300 | 783 | VOE 6625755 | 645 | 400 | 553 | VOE 80221 | 872 | 150 | 723 | VOE 80813 | 874 | 250 | 739 | VOE 80932 | 647 | 100 | 557 |
| VOE 4948103 | 897 | 100 | 779 | VOE 6627784 | 897 | 150 | 781 | VOE 80307 | 882 | 150 | 757 | VOE 80813 | 874 | 300 | 743 | VOE 80932 | 647 | 150 | 561 |
| VOE 4948103 | 897 | 300 | 783 | VOE 6633616 | 771 | 100 | 599 | VOE 80308 | 882 | 150 | 757 | VOE 80868 | 371 | 1650 | 289 | VOE 80932 | 647 | 200 | 563 |

NUMERICAL INDEX

RÉPERTOIRE DE NUMÉROS

NUMMERNREGISTER

INDICE DE NÚMERO

NUMMERREGISTER

| | |
|----------------|-------------|
| Catalogue id | Group |
| 20007 | 1000 |
| Issue | Page |
| VOE 63D9920007 | 29 |

VOLVO

L90E

| NUMERICAL INDEX | | | | INDICE DE NÚMERO | | | | | | | | | | | | Catalogue id | | Group | |
|-----------------------|-------|------|------|------------------|-------|------|------|------------|-------|------|------|--------------|-------|------|------|----------------|-------|-------|------|
| RÉPERTOIRE DE NUMÉROS | | | | NUMMERREGISTER | | | | | | | | | | | | 20007 | | 1000 | |
| NUMMERNREGISTER | | | | | | | | | | | | | | | | Issue | | Page | |
| | | | | | | | | | | | | | | | | VOE 63D9920007 | | 30 | |
| Part No | Group | Sect | Page | Part No | Group | Sect | Page | Part No | Group | Sect | Page | Part No | Group | Sect | Page | Part No | Group | Sect | Page |
| VOE 80933 | 371 | 1200 | 279 | VOE 8159013 | 371 | 700 | 249 | VOE 82326 | 914 | 350 | 843 | VOE 82875 | 380 | 200 | 361 | VOE 914484 | 461 | 200 | 473 |
| VOE 80933 | 380 | 200 | 363 | VOE 8159013 | 371 | 800 | 255 | VOE 82331 | 881 | 200 | 753 | VOE 82892 | 924 | 300 | 877 | VOE 914484 | 463 | 250 | 481 |
| VOE 80933 | 924 | 100 | 865 | VOE 8159013 | 371 | 950 | 263 | VOE 82332 | 881 | 200 | 753 | VOE 83017 | 269 | 250 | 139 | VOE 914510 | 645 | 350 | 551 |
| VOE 80943 | 353 | 150 | 181 | VOE 8159013 | 371 | 1100 | 275 | VOE 82342 | 352 | 150 | 173 | VOE 85100098 | 321 | 200 | 163 | VOE 914515 | 913 | 100 | 825 |
| VOE 80945 | 841 | 100 | 677 | VOE 8159013 | 379 | 800 | 343 | VOE 82342 | 372 | 150 | 297 | VOE 85100100 | 321 | 150 | 161 | VOE 914528 | 434 | 100 | 441 |
| VOE 8142001 | 379 | 700 | 337 | VOE 8159019 | 379 | 800 | 343 | VOE 82349 | 715 | 200 | 585 | VOE 855330 | 371 | 100 | 199 | VOE 914529 | 414 | 100 | 387 |
| VOE 8142100 | 371 | 300 | 215 | VOE 8159020 | 379 | 800 | 343 | VOE 82355 | 993 | 450 | 913 | VOE 855798 | 371 | 100 | 199 | VOE 914538 | 645 | 200 | 545 |
| VOE 8142100 | 371 | 300 | 219 | VOE 8159086 | 371 | 550 | 239 | VOE 82368 | 716 | 100 | 593 | VOE 873854 | 379 | 800 | 341 | VOE 914548 | 451 | 250 | 459 |
| VOE 8142100 | 371 | 400 | 223 | VOE 8189171 | 363 | 200 | 197 | VOE 82377 | 371 | 1150 | 277 | VOE 881484 | 379 | 400 | 325 | VOE 914552 | 741 | 100 | 597 |
| VOE 8142100 | 371 | 1100 | 275 | VOE 82050 | 371 | 850 | 257 | VOE 82377 | 945 | 150 | 883 | VOE 90007 | 896 | 150 | 775 | VOE 91472 | 234 | 100 | 85 |
| VOE 8142100 | 371 | 1200 | 279 | VOE 82050 | 914 | 150 | 835 | VOE 82377 | 945 | 400 | 899 | VOE 907884 | 711 | 100 | 579 | VOE 9148415 | 371 | 400 | 225 |
| VOE 8142100 | 371 | 1700 | 293 | VOE 82050 | 914 | 250 | 839 | VOE 82377 | 993 | 100 | 911 | VOE 9130220 | 379 | 900 | 347 | VOE 9148415 | 371 | 900 | 261 |
| VOE 8142100 | 379 | 900 | 347 | VOE 82050 | 914 | 600 | 847 | VOE 82378 | 371 | 1150 | 277 | VOE 9130220 | 393 | 100 | 377 | VOE 9148415 | 372 | 100 | 295 |
| VOE 8143240 | 352 | 150 | 173 | VOE 82050 | 914 | 700 | 851 | VOE 82378 | 945 | 300 | 893 | VOE 9130224 | 379 | 900 | 347 | VOE 91585 | 715 | 300 | 589 |
| VOE 8143240 | 353 | 200 | 183 | VOE 82151 | 313 | 100 | 157 | VOE 82393 | 269 | 250 | 139 | VOE 9130224 | 393 | 100 | 377 | VOE 925051 | 647 | 200 | 563 |
| VOE 8143240 | 371 | 1200 | 279 | VOE 82173 | 821 | 170 | 637 | VOE 82394 | 269 | 150 | 137 | VOE 9130230 | 379 | 400 | 329 | VOE 925058 | 468 | 100 | 483 |
| VOE 8143240 | 371 | 1650 | 289 | VOE 82174 | 352 | 100 | 171 | VOE 82492 | 860 | 125 | 709 | VOE 9130230 | 393 | 100 | 377 | VOE 925059 | 234 | 100 | 83 |
| VOE 8143240 | 379 | 700 | 337 | VOE 82175 | 352 | 100 | 171 | VOE 82546 | 821 | 100 | 623 | VOE 914003 | 896 | 150 | 775 | VOE 925066 | 647 | 200 | 563 |
| VOE 8149651 | 258 | 100 | 107 | VOE 82178 | 371 | 1600 | 287 | VOE 82553 | 865 | 100 | 715 | VOE 914167 | 645 | 150 | 543 | VOE 925071 | 434 | 200 | 447 |
| VOE 8150651 | 371 | 1000 | 269 | VOE 82178 | 390 | 100 | 375 | VOE 82562 | 313 | 100 | 157 | VOE 914167 | 711 | 100 | 579 | VOE 925072 | 911 | 150 | 795 |
| VOE 8151926 | 234 | 100 | 83 | VOE 82199 | 362 | 225 | 191 | VOE 82628 | 825 | 150 | 655 | VOE 914167 | 924 | 150 | 869 | VOE 925075 | 234 | 100 | 83 |
| VOE 8155899 | 371 | 300 | 217 | VOE 82216 | 945 | 700 | 909 | VOE 82772 | 874 | 200 | 737 | VOE 914167 | 945 | 400 | 899 | VOE 925083 | 945 | 500 | 905 |
| VOE 8155899 | 371 | 650 | 245 | VOE 82245 | 860 | 300 | 713 | VOE 82772 | 874 | 250 | 739 | VOE 914167 | 945 | 410 | 901 | VOE 925093 | 434 | 200 | 449 |
| VOE 8155899 | 379 | 800 | 343 | VOE 82259 | 924 | 200 | 871 | VOE 82790 | 363 | 100 | 193 | VOE 914169 | 451 | 100 | 453 | VOE 925093 | 945 | 500 | 905 |
| VOE 8155901 | 379 | 600 | 335 | VOE 82259 | 924 | 250 | 875 | VOE 82790 | 363 | 150 | 195 | VOE 914169 | 741 | 100 | 597 | VOE 925094 | 645 | 200 | 545 |
| VOE 8155903 | 371 | 650 | 245 | VOE 82260 | 924 | 200 | 871 | VOE 82790 | 363 | 200 | 197 | VOE 914170 | 741 | 100 | 597 | VOE 925096 | 434 | 200 | 447 |
| VOE 8155903 | 379 | 600 | 335 | VOE 82280 | 715 | 150 | 583 | VOE 82790 | 380 | 200 | 361 | VOE 914170 | 860 | 150 | 711 | VOE 925254 | 460 | 100 | 461 |
| VOE 8157766 | 371 | 100 | 199 | VOE 82292 | 823 | 300 | 651 | VOE 82790 | 843 | 100 | 681 | VOE 914390 | 468 | 150 | 485 | VOE 925256 | 434 | 200 | 447 |
| VOE 8159012 | 371 | 650 | 245 | VOE 82304 | 715 | 100 | 581 | VOE 82790 | 851 | 150 | 689 | VOE 914450 | 924 | 150 | 869 | VOE 925257 | 434 | 200 | 447 |
| VOE 8159012 | 379 | 800 | 343 | VOE 82307 | 371 | 1500 | 285 | VOE 82824 | 380 | 100 | 351 | VOE 914450 | 924 | 200 | 873 | VOE 925258 | 434 | 200 | 447 |
| VOE 8159013 | 371 | 250 | 211 | VOE 82310 | 256 | 100 | 103 | VOE 82824 | 380 | 125 | 355 | VOE 914470 | 463 | 250 | 481 | VOE 925263 | 421 | 200 | 413 |
| VOE 8159013 | 371 | 250 | 213 | VOE 82325 | 371 | 1400 | 281 | VOE 82824 | 468 | 150 | 485 | VOE 914474 | 461 | 200 | 473 | VOE 925265 | 434 | 100 | 441 |
| VOE 8159013 | 371 | 300 | 217 | VOE 82325 | 914 | 350 | 843 | VOE 828587 | 371 | 1050 | 271 | VOE 914480 | 434 | 200 | 447 | VOE 925739 | 223 | 150 | 77 |
| VOE 8159013 | 371 | 400 | 223 | VOE 82325 | 914 | 400 | 845 | VOE 828587 | 380 | 100 | 353 | VOE 914480 | 461 | 150 | 471 | VOE 925739 | 235 | 100 | 89 |
| VOE 8159013 | 371 | 650 | 245 | VOE 82326 | 371 | 1400 | 281 | VOE 828587 | 380 | 125 | 357 | VOE 914480 | 463 | 150 | 479 | VOE 925739 | 235 | 110 | 93 |

| Part No | Group | Sect | Page | Part No | Group | Sect | Page | Part No | Group | Sect | Page | Part No | Group | Sect | Page | Part No | Group | Sect | Page |
|------------|-------|------|------|------------|-------|------|------|------------|-------|------|------|------------|-------|------|------|------------|-------|------|------|
| VOE 926138 | 896 | 150 | 775 | VOE 930847 | 716 | 150 | 595 | VOE 935423 | 645 | 100 | 535 | VOE 936121 | 914 | 700 | 851 | VOE 941266 | 882 | 300 | 761 |
| VOE 926254 | 434 | 150 | 445 | VOE 930850 | 436 | 100 | 451 | VOE 935423 | 645 | 100 | 537 | VOE 936168 | 914 | 600 | 849 | VOE 941267 | 353 | 200 | 183 |
| VOE 926370 | 420 | 200 | 397 | VOE 930853 | 924 | 200 | 871 | VOE 935423 | 645 | 300 | 547 | VOE 936439 | 645 | 100 | 539 | VOE 941267 | 362 | 150 | 187 |
| VOE 926370 | 421 | 400 | 431 | VOE 930932 | 911 | 150 | 795 | VOE 935425 | 263 | 125 | 123 | VOE 936439 | 911 | 300 | 805 | VOE 941267 | 362 | 225 | 191 |
| VOE 926370 | 421 | 500 | 435 | VOE 931209 | 420 | 200 | 397 | VOE 935425 | 924 | 100 | 867 | VOE 936443 | 525 | 100 | 515 | VOE 941267 | 810 | 150 | 615 |
| VOE 926370 | 924 | 100 | 867 | VOE 931209 | 421 | 500 | 435 | VOE 935425 | 924 | 250 | 875 | VOE 936444 | 527 | 200 | 517 | VOE 941268 | 810 | 150 | 615 |
| VOE 927503 | 911 | 450 | 813 | VOE 931211 | 421 | 200 | 415 | VOE 935427 | 522 | 300 | 509 | VOE 936444 | 911 | 250 | 801 | VOE 941268 | 810 | 200 | 619 |
| VOE 927503 | 914 | 100 | 833 | VOE 931216 | 420 | 200 | 397 | VOE 935427 | 522 | 325 | 511 | VOE 936444 | 911 | 300 | 805 | VOE 941269 | 352 | 100 | 171 |
| VOE 927503 | 924 | 100 | 865 | VOE 931216 | 421 | 500 | 435 | VOE 935428 | 924 | 150 | 869 | VOE 936444 | 912 | 100 | 821 | VOE 941269 | 371 | 300 | 217 |
| VOE 927503 | 924 | 100 | 867 | VOE 931218 | 421 | 200 | 415 | VOE 935428 | 924 | 200 | 873 | VOE 936444 | 916 | 100 | 855 | VOE 941269 | 371 | 600 | 241 |
| VOE 928976 | 911 | 150 | 795 | VOE 931227 | 421 | 200 | 415 | VOE 935429 | 263 | 125 | 125 | VOE 936446 | 420 | 250 | 401 | VOE 941269 | 881 | 150 | 751 |
| VOE 929359 | 645 | 100 | 539 | VOE 932037 | 911 | 300 | 805 | VOE 935429 | 522 | 300 | 509 | VOE 936576 | 911 | 350 | 809 | VOE 941339 | 379 | 200 | 317 |
| VOE 930032 | 420 | 200 | 397 | VOE 932039 | 420 | 250 | 401 | VOE 935429 | 522 | 325 | 511 | VOE 936655 | 468 | 150 | 485 | VOE 941363 | 261 | 200 | 113 |
| VOE 930415 | 881 | 100 | 749 | VOE 932040 | 911 | 350 | 809 | VOE 935429 | 924 | 100 | 867 | VOE 936702 | 468 | 150 | 487 | VOE 941375 | 911 | 150 | 797 |
| VOE 930415 | 882 | 100 | 755 | VOE 932042 | 911 | 350 | 809 | VOE 935442 | 914 | 700 | 851 | VOE 936710 | 914 | 600 | 847 | VOE 941521 | 420 | 200 | 397 |
| VOE 930418 | 372 | 100 | 295 | VOE 932275 | 911 | 400 | 811 | VOE 935538 | 924 | 150 | 869 | VOE 93786 | 843 | 150 | 683 | VOE 941521 | 420 | 250 | 401 |
| VOE 930418 | 372 | 200 | 301 | VOE 935028 | 660 | 100 | 565 | VOE 935538 | 924 | 200 | 873 | VOE 93787 | 843 | 150 | 683 | VOE 941522 | 460 | 150 | 463 |
| VOE 930418 | 872 | 200 | 725 | VOE 935037 | 645 | 100 | 537 | VOE 935548 | 645 | 100 | 541 | VOE 93799 | 362 | 150 | 187 | VOE 941671 | 897 | 100 | 779 |
| VOE 930428 | 271 | 100 | 141 | VOE 935037 | 647 | 100 | 557 | VOE 935548 | 647 | 100 | 559 | VOE 93799 | 362 | 200 | 189 | VOE 941686 | 235 | 100 | 89 |
| VOE 930428 | 353 | 150 | 181 | VOE 935082 | 911 | 300 | 805 | VOE 935548 | 911 | 300 | 805 | VOE 93799 | 380 | 200 | 363 | VOE 941686 | 235 | 110 | 93 |
| VOE 930428 | 362 | 150 | 187 | VOE 935100 | 434 | 150 | 445 | VOE 935604 | 522 | 325 | 511 | VOE 93988 | 896 | 200 | 777 | VOE 941730 | 379 | 400 | 327 |
| VOE 930428 | 810 | 150 | 615 | VOE 935203 | 645 | 100 | 537 | VOE 935628 | 924 | 150 | 869 | VOE 940197 | 321 | 200 | 163 | VOE 941881 | 379 | 400 | 327 |
| VOE 930428 | 841 | 100 | 677 | VOE 935203 | 645 | 300 | 547 | VOE 935628 | 924 | 200 | 873 | VOE 940333 | 379 | 200 | 317 | VOE 941908 | 380 | 150 | 359 |
| VOE 930431 | 841 | 100 | 677 | VOE 935286 | 914 | 600 | 849 | VOE 935651 | 924 | 100 | 867 | VOE 940335 | 379 | 200 | 317 | VOE 941908 | 434 | 100 | 441 |
| VOE 930431 | 874 | 300 | 743 | VOE 935286 | 914 | 700 | 851 | VOE 935879 | 924 | 100 | 865 | VOE 940337 | 379 | 200 | 317 | VOE 941908 | 434 | 150 | 445 |
| VOE 930431 | 874 | 300 | 745 | VOE 935308 | 911 | 200 | 799 | VOE 935889 | 911 | 550 | 817 | VOE 940340 | 379 | 400 | 327 | VOE 941908 | 434 | 200 | 447 |
| VOE 930436 | 258 | 100 | 107 | VOE 935308 | 911 | 400 | 811 | VOE 935900 | 914 | 700 | 851 | VOE 940341 | 379 | 400 | 327 | VOE 941908 | 945 | 500 | 905 |
| VOE 930446 | 924 | 200 | 871 | VOE 935308 | 912 | 100 | 819 | VOE 935929 | 924 | 150 | 869 | VOE 941104 | 379 | 300 | 323 | VOE 941912 | 945 | 550 | 907 |
| VOE 930457 | 852 | 100 | 691 | VOE 935308 | 914 | 700 | 851 | VOE 935929 | 924 | 200 | 873 | VOE 941105 | 379 | 300 | 321 | VOE 941916 | 882 | 200 | 759 |
| VOE 930457 | 852 | 450 | 707 | VOE 935309 | 911 | 400 | 811 | VOE 936012 | 914 | 200 | 837 | VOE 941262 | 363 | 200 | 197 | VOE 941957 | 379 | 400 | 327 |
| VOE 930757 | 353 | 100 | 179 | VOE 935312 | 911 | 500 | 815 | VOE 936013 | 914 | 100 | 833 | VOE 941262 | 393 | 100 | 379 | VOE 942290 | 831 | 100 | 669 |
| VOE 930760 | 874 | 250 | 739 | VOE 935312 | 916 | 100 | 855 | VOE 936015 | 914 | 700 | 851 | VOE 941264 | 371 | 400 | 225 | VOE 942290 | 843 | 200 | 685 |
| VOE 930761 | 353 | 100 | 179 | VOE 935312 | 916 | 100 | 857 | VOE 936016 | 914 | 700 | 851 | VOE 941266 | 810 | 200 | 619 | VOE 942337 | 461 | 100 | 465 |
| VOE 930844 | 218 | 100 | 69 | VOE 935331 | 911 | 300 | 805 | VOE 936120 | 914 | 700 | 851 | VOE 941266 | 843 | 100 | 681 | VOE 942337 | 463 | 100 | 475 |
| VOE 930844 | 451 | 100 | 453 | VOE 935409 | 914 | 100 | 831 | VOE 936121 | 914 | 600 | 847 | VOE 941266 | 872 | 125 | 719 | VOE 942429 | 379 | 600 | 335 |

NUMERICAL INDEX

RÉPERTOIRE DE NUMÉROS

NUMMERREGISTER

INDICE DE NÚMERO

NUMMERREGISTER

| | |
|----------------|-------------|
| Catalogue id | Group |
| 20007 | 1000 |
| Issue | Page |
| VOE 63D9920007 | 31 |

VOLVO

L90E

| NUMERICAL INDEX | | | | INDICE DE NÚMERO | | | | Catalogue id | | | | Group | | | |
|-----------------------|-------|------|------|------------------|-------|------|------|----------------|-------|------|------|------------|-------|------|------|
| RÉPERTOIRE DE NUMÉROS | | | | NUMMERREGISTER | | | | 20007 | | | | 1000 | | | |
| NUMMERNREGISTER | | | | | | | | Issue | | | | Page | | | |
| NUMMERNREGISTER | | | | | | | | VOE 63D9920007 | | | | 32 | | | |
| Part No | Group | Sect | Page | Part No | Group | Sect | Page | Part No | Group | Sect | Page | Part No | Group | Sect | Page |
| VOE 942669 | 851 | 100 | 687 | VOE 943903 | 352 | 100 | 171 | VOE 946040 | 379 | 600 | 333 | VOE 946440 | 235 | 100 | 89 |
| VOE 942722 | 420 | 300 | 403 | VOE 943903 | 352 | 150 | 173 | VOE 946041 | 379 | 600 | 333 | VOE 946440 | 235 | 110 | 91 |
| VOE 942758 | 261 | 200 | 113 | VOE 943903 | 352 | 250 | 177 | VOE 946089 | 451 | 100 | 453 | VOE 946440 | 235 | 110 | 93 |
| VOE 942758 | 420 | 300 | 403 | VOE 943903 | 353 | 100 | 179 | VOE 946089 | 711 | 100 | 579 | VOE 946440 | 261 | 200 | 113 |
| VOE 942758 | 420 | 310 | 407 | VOE 943903 | 353 | 150 | 181 | VOE 946089 | 945 | 400 | 899 | VOE 946440 | 269 | 150 | 137 |
| VOE 942810 | 261 | 200 | 113 | VOE 943904 | 362 | 200 | 189 | VOE 946089 | 945 | 410 | 901 | VOE 946440 | 269 | 250 | 139 |
| VOE 942810 | 371 | 200 | 207 | VOE 943920 | 223 | 150 | 77 | VOE 946127 | 647 | 150 | 561 | VOE 946440 | 353 | 150 | 181 |
| VOE 942810 | 647 | 100 | 559 | VOE 943920 | 235 | 100 | 89 | VOE 946165 | 379 | 200 | 319 | VOE 946440 | 371 | 100 | 201 |
| VOE 942978 | 421 | 150 | 411 | VOE 943920 | 235 | 110 | 93 | VOE 946329 | 235 | 110 | 91 | VOE 946440 | 371 | 200 | 207 |
| VOE 943142 | 461 | 150 | 471 | VOE 943920 | 390 | 100 | 375 | VOE 946329 | 263 | 150 | 127 | VOE 946440 | 371 | 650 | 247 |
| VOE 943142 | 463 | 150 | 479 | VOE 944076 | 379 | 300 | 323 | VOE 946329 | 352 | 100 | 171 | VOE 946440 | 371 | 750 | 253 |
| VOE 943367 | 261 | 200 | 113 | VOE 944077 | 379 | 300 | 321 | VOE 946329 | 352 | 150 | 173 | VOE 946440 | 420 | 150 | 393 |
| VOE 943368 | 873 | 100 | 729 | VOE 944126 | 421 | 200 | 415 | VOE 946329 | 352 | 250 | 177 | VOE 946440 | 420 | 200 | 399 |
| VOE 943369 | 873 | 100 | 729 | VOE 944223 | 379 | 500 | 331 | VOE 946329 | 420 | 150 | 393 | VOE 946440 | 420 | 250 | 401 |
| VOE 943470 | 420 | 300 | 403 | VOE 944224 | 379 | 500 | 331 | VOE 946329 | 420 | 150 | 395 | VOE 946440 | 421 | 500 | 435 |
| VOE 943470 | 420 | 310 | 407 | VOE 944225 | 379 | 500 | 331 | VOE 946329 | 460 | 150 | 463 | VOE 946440 | 421 | 500 | 437 |
| VOE 943471 | 261 | 200 | 113 | VOE 944458 | 421 | 100 | 409 | VOE 946329 | 522 | 325 | 511 | VOE 946440 | 522 | 300 | 509 |
| VOE 943473 | 217 | 150 | 67 | VOE 944485 | 379 | 400 | 327 | VOE 946329 | 715 | 150 | 583 | VOE 946440 | 522 | 325 | 511 |
| VOE 943473 | 873 | 100 | 729 | VOE 944505 | 647 | 100 | 557 | VOE 946329 | 715 | 250 | 587 | VOE 946440 | 647 | 100 | 559 |
| VOE 943475 | 217 | 150 | 67 | VOE 944507 | 645 | 300 | 547 | VOE 946329 | 716 | 100 | 593 | VOE 946440 | 660 | 100 | 565 |
| VOE 943475 | 261 | 200 | 113 | VOE 944508 | 421 | 500 | 435 | VOE 946329 | 823 | 100 | 643 | VOE 946440 | 821 | 100 | 625 |
| VOE 943476 | 256 | 100 | 103 | VOE 944623 | 379 | 100 | 309 | VOE 946329 | 823 | 110 | 647 | VOE 946440 | 823 | 150 | 649 |
| VOE 943476 | 420 | 150 | 393 | VOE 944963 | 420 | 200 | 397 | VOE 946329 | 825 | 100 | 653 | VOE 946440 | 874 | 200 | 737 |
| VOE 943476 | 911 | 100 | 793 | VOE 944963 | 420 | 250 | 401 | VOE 946329 | 826 | 100 | 657 | VOE 946440 | 874 | 300 | 743 |
| VOE 943477 | 911 | 100 | 793 | VOE 945065 | 212 | 100 | 51 | VOE 946329 | 826 | 110 | 659 | VOE 946440 | 874 | 300 | 745 |
| VOE 943479 | 256 | 100 | 103 | VOE 945065 | 235 | 100 | 87 | VOE 946329 | 826 | 120 | 663 | VOE 946440 | 882 | 200 | 759 |
| VOE 943479 | 261 | 200 | 113 | VOE 945065 | 235 | 110 | 91 | VOE 946329 | 831 | 150 | 671 | VOE 946440 | 882 | 500 | 763 |
| VOE 943480 | 261 | 200 | 113 | VOE 945065 | 914 | 250 | 839 | VOE 946329 | 841 | 100 | 677 | VOE 946440 | 897 | 150 | 781 |
| VOE 943480 | 321 | 100 | 159 | VOE 945469 | 379 | 300 | 321 | VOE 946329 | 852 | 100 | 691 | VOE 946440 | 911 | 100 | 793 |
| VOE 943511 | 379 | 300 | 321 | VOE 945495 | 214 | 100 | 57 | VOE 946329 | 852 | 450 | 707 | VOE 946440 | 911 | 150 | 797 |
| VOE 943516 | 420 | 300 | 403 | VOE 945506 | 468 | 100 | 483 | VOE 946329 | 911 | 300 | 805 | VOE 946441 | 434 | 200 | 447 |
| VOE 943717 | 269 | 250 | 139 | VOE 945783 | 379 | 150 | 315 | VOE 946329 | 924 | 200 | 873 | VOE 946441 | 434 | 200 | 449 |
| VOE 943717 | 420 | 150 | 393 | VOE 946036 | 852 | 100 | 691 | VOE 94638 | 380 | 100 | 351 | VOE 946441 | 715 | 100 | 581 |
| VOE 943727 | 363 | 200 | 197 | VOE 946036 | 882 | 500 | 763 | VOE 946440 | 223 | 150 | 79 | VOE 946441 | 821 | 150 | 631 |
| VOE 943826 | 420 | 150 | 393 | VOE 946038 | 379 | 600 | 333 | VOE 946440 | 235 | 100 | 87 | VOE 946441 | 821 | 160 | 635 |
| | | | | | | | | | | | | VOE 946577 | 715 | 300 | 589 |
| | | | | | | | | | | | | VOE 946577 | 821 | 200 | 639 |

| Part No | Group | Sect | Page | Part No | Group | Sect | Page | Part No | Group | Sect | Page | Part No | Group | Sect | Page | Part No | Group | Sect | Page |
|------------|-------|------|------|------------|-------|------|------|------------|-------|------|------|-------------|-------|------|------|------------|-------|------|------|
| VOE 946671 | 223 | 150 | 77 | VOE 947760 | 837 | 200 | 675 | VOE 948645 | 914 | 350 | 843 | VOE 949490 | 379 | 400 | 327 | VOE 952627 | 363 | 200 | 197 |
| VOE 946671 | 235 | 100 | 87 | VOE 947972 | 460 | 100 | 461 | VOE 948645 | 914 | 600 | 849 | VOE 949544 | 460 | 100 | 461 | VOE 952627 | 914 | 200 | 837 |
| VOE 946671 | 235 | 100 | 89 | VOE 948294 | 371 | 400 | 225 | VOE 948645 | 945 | 400 | 899 | VOE 949544 | 461 | 100 | 465 | VOE 952630 | 235 | 100 | 89 |
| VOE 946671 | 235 | 110 | 91 | VOE 948294 | 371 | 500 | 231 | VOE 948645 | 945 | 450 | 903 | VOE 949544 | 463 | 100 | 475 | VOE 952630 | 235 | 110 | 93 |
| VOE 946671 | 235 | 110 | 93 | VOE 948294 | 371 | 525 | 235 | VOE 948645 | 993 | 100 | 911 | VOE 949583 | 379 | 500 | 331 | VOE 952630 | 261 | 200 | 113 |
| VOE 946671 | 256 | 100 | 103 | VOE 948294 | 371 | 1400 | 281 | VOE 948665 | 321 | 100 | 159 | VOE 949604 | 379 | 400 | 325 | VOE 952630 | 874 | 250 | 739 |
| VOE 946671 | 261 | 250 | 117 | VOE 948294 | 371 | 1700 | 291 | VOE 948698 | 223 | 150 | 77 | VOE 949659 | 434 | 200 | 449 | VOE 952637 | 390 | 100 | 375 |
| VOE 946671 | 362 | 150 | 187 | VOE 948294 | 379 | 500 | 331 | VOE 948698 | 263 | 125 | 123 | VOE 949755 | 821 | 160 | 635 | VOE 954491 | 379 | 100 | 309 |
| VOE 946671 | 362 | 225 | 191 | VOE 948295 | 371 | 550 | 239 | VOE 948698 | 645 | 100 | 539 | VOE 949850 | 261 | 200 | 113 | VOE 954505 | 379 | 200 | 317 |
| VOE 946671 | 371 | 100 | 199 | VOE 948295 | 371 | 1700 | 291 | VOE 948836 | 818 | 100 | 621 | VOE 949908 | 235 | 100 | 89 | VOE 954506 | 379 | 200 | 317 |
| VOE 946671 | 371 | 400 | 225 | VOE 948295 | 379 | 500 | 331 | VOE 948855 | 379 | 300 | 321 | VOE 949908 | 235 | 110 | 93 | VOE 954510 | 379 | 200 | 317 |
| VOE 946671 | 371 | 800 | 255 | VOE 948296 | 379 | 500 | 331 | VOE 948883 | 235 | 100 | 87 | VOE 949921 | 851 | 100 | 687 | VOE 955259 | 945 | 200 | 885 |
| VOE 946671 | 434 | 200 | 449 | VOE 948645 | 217 | 150 | 67 | VOE 948883 | 235 | 110 | 91 | VOE 949921 | 874 | 250 | 739 | VOE 955259 | 945 | 350 | 897 |
| VOE 946671 | 645 | 100 | 535 | VOE 948645 | 333 | 100 | 169 | VOE 948883 | 911 | 100 | 793 | VOE 949921 | 881 | 200 | 753 | VOE 955260 | 945 | 150 | 883 |
| VOE 946671 | 645 | 150 | 543 | VOE 948645 | 353 | 100 | 179 | VOE 948884 | 647 | 200 | 563 | VOE 949921 | 882 | 300 | 761 | VOE 955260 | 945 | 200 | 887 |
| VOE 946671 | 647 | 100 | 557 | VOE 948645 | 363 | 150 | 195 | VOE 948885 | 911 | 100 | 793 | VOE 949921 | 882 | 600 | 769 | VOE 955260 | 945 | 250 | 889 |
| VOE 946671 | 821 | 200 | 639 | VOE 948645 | 371 | 100 | 199 | VOE 949005 | 371 | 500 | 231 | VOE 949921 | 914 | 350 | 843 | VOE 955260 | 945 | 300 | 893 |
| VOE 946671 | 823 | 150 | 649 | VOE 948645 | 371 | 100 | 201 | VOE 949005 | 371 | 525 | 235 | VOE 949995 | 420 | 300 | 405 | VOE 955260 | 945 | 350 | 897 |
| VOE 946671 | 874 | 300 | 743 | VOE 948645 | 371 | 400 | 225 | VOE 949005 | 379 | 800 | 341 | VOE 950629 | 516 | 100 | 499 | VOE 955286 | 874 | 250 | 739 |
| VOE 946671 | 881 | 150 | 751 | VOE 948645 | 390 | 100 | 375 | VOE 94909 | 371 | 900 | 261 | VOE 950711 | 420 | 100 | 389 | VOE 955304 | 421 | 500 | 435 |
| VOE 946671 | 896 | 100 | 773 | VOE 948645 | 420 | 150 | 393 | VOE 94909 | 852 | 100 | 691 | VOE 950711 | 873 | 100 | 729 | VOE 955309 | 924 | 100 | 867 |
| VOE 946671 | 911 | 150 | 797 | VOE 948645 | 491 | 100 | 489 | VOE 94909 | 852 | 300 | 701 | VOE 950891 | 421 | 200 | 417 | VOE 955379 | 924 | 200 | 871 |
| VOE 946671 | 914 | 100 | 831 | VOE 948645 | 522 | 300 | 507 | VOE 94916 | 852 | 100 | 691 | VOE 950891 | 461 | 100 | 465 | VOE 955381 | 924 | 200 | 871 |
| VOE 946671 | 993 | 100 | 911 | VOE 948645 | 525 | 100 | 515 | VOE 94916 | 852 | 100 | 693 | VOE 950891 | 463 | 100 | 475 | VOE 955396 | 716 | 100 | 593 |
| VOE 946934 | 235 | 100 | 89 | VOE 948645 | 645 | 100 | 535 | VOE 949201 | 379 | 400 | 325 | VOE 950891 | 924 | 200 | 873 | VOE 955402 | 860 | 150 | 711 |
| VOE 946934 | 235 | 110 | 93 | VOE 948645 | 647 | 100 | 557 | VOE 949210 | 379 | 400 | 325 | VOE 951191 | 271 | 100 | 141 | VOE 955412 | 924 | 200 | 871 |
| VOE 947083 | 522 | 300 | 507 | VOE 948645 | 810 | 150 | 617 | VOE 949211 | 379 | 400 | 325 | VOE 9518442 | 234 | 100 | 83 | VOE 955640 | 363 | 100 | 193 |
| VOE 947083 | 914 | 250 | 839 | VOE 948645 | 810 | 200 | 619 | VOE 949221 | 234 | 100 | 85 | VOE 9518555 | 321 | 100 | 159 | VOE 955779 | 831 | 150 | 671 |
| VOE 947107 | 353 | 200 | 183 | VOE 948645 | 827 | 100 | 667 | VOE 94925 | 852 | 100 | 691 | VOE 951940 | 914 | 250 | 839 | VOE 955780 | 831 | 150 | 671 |
| VOE 947107 | 371 | 750 | 253 | VOE 948645 | 837 | 200 | 675 | VOE 94925 | 852 | 100 | 693 | VOE 951952 | 821 | 100 | 627 | VOE 955782 | 660 | 150 | 569 |
| VOE 947107 | 371 | 1050 | 273 | VOE 948645 | 852 | 450 | 707 | VOE 949329 | 217 | 150 | 67 | VOE 951955 | 821 | 150 | 629 | VOE 955782 | 924 | 100 | 867 |
| VOE 947107 | 823 | 150 | 649 | VOE 948645 | 874 | 200 | 737 | VOE 949400 | 379 | 400 | 325 | VOE 951955 | 821 | 160 | 633 | VOE 955793 | 461 | 100 | 465 |
| VOE 947107 | 872 | 125 | 719 | VOE 948645 | 874 | 300 | 743 | VOE 949401 | 379 | 400 | 325 | VOE 9521761 | 321 | 200 | 163 | VOE 955802 | 463 | 100 | 475 |
| VOE 947167 | 911 | 400 | 811 | VOE 948645 | 881 | 150 | 751 | VOE 949404 | 379 | 400 | 325 | VOE 952623 | 945 | 410 | 901 | VOE 955822 | 641 | 100 | 529 |
| VOE 947502 | 421 | 500 | 435 | VOE 948645 | 896 | 100 | 773 | VOE 949489 | 379 | 400 | 325 | VOE 952625 | 874 | 250 | 739 | VOE 955822 | 641 | 150 | 531 |

NUMERICAL INDEX

RÉPERTOIRE DE NUMÉROS

NUMMERREGISTER

INDICE DE NÚMERO

NUMMERREGISTER

| | |
|----------------|-------------|
| Catalogue id | Group |
| 20007 | 1000 |
| Issue | Page |
| VOE 63D9920007 | 33 |

VOLVO

L90E

| NUMERICAL INDEX | | | | INDICE DE NÚMERO | | | | Catalogue id | | | Group | | | | |
|-----------------------|-------|------|------|------------------|-------|------|------|----------------|-------|------|-------|------------|-------|------|------|
| RÉPERTOIRE DE NUMÉROS | | | | NUMMERREGISTER | | | | 20007 | | | 1000 | | | | |
| NUMMERNREGISTER | | | | | | | | Issue | | | Page | | | | |
| | | | | | | | | VOE 63D9920007 | | | 34 | | | | |
| Part No | Group | Sect | Page | Part No | Group | Sect | Page | Part No | Group | Sect | Page | Part No | Group | Sect | Page |
| VOE 955890 | 372 | 200 | 301 | VOE 958208 | 379 | 300 | 321 | VOE 959226 | 914 | 400 | 845 | VOE 960148 | 420 | 150 | 393 |
| VOE 955891 | 380 | 125 | 355 | VOE 958209 | 371 | 1400 | 281 | VOE 959227 | 914 | 100 | 831 | VOE 960148 | 945 | 700 | 909 |
| VOE 955891 | 882 | 550 | 765 | VOE 958209 | 371 | 1700 | 291 | VOE 959236 | 463 | 250 | 481 | VOE 960242 | 434 | 200 | 449 |
| VOE 955892 | 715 | 300 | 589 | VOE 958209 | 379 | 300 | 321 | VOE 959239 | 420 | 150 | 393 | VOE 960242 | 913 | 100 | 825 |
| VOE 955892 | 874 | 250 | 739 | VOE 958213 | 379 | 300 | 321 | VOE 959240 | 912 | 100 | 819 | VOE 960628 | 223 | 100 | 73 |
| VOE 955892 | 882 | 550 | 765 | VOE 958215 | 379 | 300 | 323 | VOE 959241 | 421 | 100 | 409 | VOE 960630 | 215 | 100 | 59 |
| VOE 955895 | 993 | 100 | 911 | VOE 958220 | 379 | 200 | 317 | VOE 959245 | 924 | 300 | 877 | VOE 960630 | 461 | 100 | 465 |
| VOE 955896 | 874 | 250 | 741 | VOE 958220 | 379 | 200 | 319 | VOE 959250 | 421 | 100 | 409 | VOE 960630 | 463 | 100 | 475 |
| VOE 955900 | 924 | 150 | 869 | VOE 958226 | 421 | 200 | 413 | VOE 959254 | 945 | 300 | 895 | VOE 960630 | 527 | 200 | 517 |
| VOE 955903 | 716 | 100 | 593 | VOE 958228 | 434 | 200 | 449 | VOE 959256 | 911 | 200 | 799 | VOE 960630 | 551 | 250 | 519 |
| VOE 955905 | 882 | 200 | 759 | VOE 958228 | 461 | 100 | 465 | VOE 959256 | 911 | 400 | 811 | VOE 960630 | 914 | 100 | 831 |
| VOE 955972 | 912 | 100 | 819 | VOE 958228 | 463 | 100 | 475 | VOE 959261 | 434 | 100 | 441 | VOE 960630 | 945 | 500 | 905 |
| VOE 955990 | 645 | 100 | 539 | VOE 958228 | 911 | 150 | 797 | VOE 959544 | 460 | 100 | 461 | VOE 960631 | 911 | 100 | 793 |
| VOE 955990 | 911 | 300 | 805 | VOE 958229 | 647 | 200 | 563 | VOE 960137 | 353 | 200 | 183 | VOE 961614 | 882 | 200 | 759 |
| VOE 955994 | 914 | 250 | 841 | VOE 958229 | 911 | 150 | 797 | VOE 960139 | 263 | 150 | 127 | VOE 961960 | 261 | 200 | 113 |
| VOE 956047 | 372 | 200 | 301 | VOE 958668 | 525 | 100 | 515 | VOE 960139 | 363 | 150 | 195 | VOE 961970 | 235 | 100 | 89 |
| VOE 956925 | 379 | 200 | 317 | VOE 959042 | 451 | 250 | 459 | VOE 960139 | 371 | 600 | 241 | VOE 961970 | 235 | 110 | 93 |
| VOE 956926 | 379 | 200 | 317 | VOE 959088 | 831 | 150 | 671 | VOE 960139 | 390 | 100 | 375 | VOE 961970 | 371 | 300 | 217 |
| VOE 956928 | 379 | 200 | 317 | VOE 959174 | 914 | 250 | 839 | VOE 960139 | 821 | 100 | 625 | VOE 961970 | 371 | 550 | 239 |
| VOE 956929 | 379 | 200 | 317 | VOE 959186 | 371 | 1150 | 277 | VOE 960139 | 821 | 100 | 627 | VOE 961970 | 371 | 700 | 251 |
| VOE 956930 | 379 | 200 | 317 | VOE 959193 | 468 | 150 | 485 | VOE 960139 | 821 | 150 | 629 | VOE 961970 | 390 | 100 | 375 |
| VOE 956931 | 379 | 200 | 317 | VOE 959193 | 551 | 250 | 519 | VOE 960139 | 821 | 160 | 633 | VOE 961970 | 810 | 200 | 619 |
| VOE 956933 | 379 | 200 | 317 | VOE 959193 | 924 | 100 | 867 | VOE 960139 | 823 | 100 | 641 | VOE 961970 | 843 | 100 | 681 |
| VOE 956934 | 379 | 200 | 317 | VOE 959202 | 660 | 150 | 569 | VOE 960139 | 823 | 110 | 645 | VOE 961970 | 873 | 150 | 731 |
| VOE 956936 | 379 | 200 | 317 | VOE 959207 | 263 | 150 | 127 | VOE 960139 | 841 | 100 | 679 | VOE 962305 | 896 | 150 | 775 |
| VOE 956956 | 379 | 200 | 319 | VOE 959207 | 371 | 350 | 221 | VOE 960139 | 843 | 100 | 681 | VOE 962500 | 911 | 150 | 797 |
| VOE 956958 | 379 | 200 | 319 | VOE 959208 | 993 | 100 | 911 | VOE 960139 | 851 | 100 | 687 | VOE 962501 | 945 | 550 | 907 |
| VOE 956960 | 379 | 200 | 319 | VOE 959208 | 993 | 450 | 913 | VOE 960139 | 851 | 150 | 689 | VOE 962528 | 647 | 200 | 563 |
| VOE 956965 | 379 | 200 | 317 | VOE 959213 | 882 | 550 | 767 | VOE 960139 | 872 | 200 | 725 | VOE 963320 | 218 | 100 | 69 |
| VOE 956981 | 945 | 400 | 899 | VOE 959220 | 263 | 150 | 127 | VOE 960139 | 873 | 150 | 731 | VOE 963349 | 716 | 100 | 593 |
| VOE 956981 | 945 | 410 | 901 | VOE 959220 | 831 | 150 | 673 | VOE 960139 | 874 | 250 | 739 | VOE 964117 | 421 | 550 | 439 |
| VOE 957031 | 421 | 200 | 413 | VOE 959223 | 421 | 500 | 435 | VOE 960139 | 881 | 200 | 753 | VOE 965107 | 379 | 400 | 327 |
| VOE 957056 | 235 | 100 | 87 | VOE 959223 | 823 | 100 | 641 | VOE 960139 | 882 | 100 | 755 | VOE 965195 | 715 | 200 | 585 |
| VOE 958201 | 379 | 400 | 327 | VOE 959223 | 823 | 110 | 645 | VOE 960139 | 897 | 150 | 781 | VOE 965195 | 715 | 400 | 591 |
| VOE 958207 | 379 | 300 | 321 | VOE 959223 | 914 | 350 | 843 | VOE 960139 | 924 | 100 | 865 | VOE 965225 | 821 | 150 | 629 |
| | | | | | | | | | | | | VOE 965225 | 821 | 160 | 633 |
| | | | | | | | | | | | | VOE 965225 | 913 | 100 | 825 |
| | | | | | | | | | | | | VOE 965226 | 911 | 250 | 801 |
| | | | | | | | | | | | | VOE 965553 | 420 | 150 | 393 |
| | | | | | | | | | | | | VOE 965553 | 874 | 300 | 743 |
| | | | | | | | | | | | | VOE 965561 | 873 | 100 | 729 |
| | | | | | | | | | | | | VOE 965576 | 873 | 100 | 729 |
| | | | | | | | | | | | | VOE 965792 | 379 | 200 | 317 |
| | | | | | | | | | | | | VOE 965822 | 379 | 600 | 333 |
| | | | | | | | | | | | | VOE 965822 | 379 | 700 | 339 |
| | | | | | | | | | | | | VOE 965823 | 379 | 600 | 333 |
| | | | | | | | | | | | | VOE 965823 | 379 | 700 | 339 |
| | | | | | | | | | | | | VOE 965824 | 379 | 600 | 333 |
| | | | | | | | | | | | | VOE 965824 | 379 | 700 | 339 |
| | | | | | | | | | | | | VOE 965825 | 379 | 600 | 333 |
| | | | | | | | | | | | | VOE 965825 | 379 | 700 | 339 |
| | | | | | | | | | | | | VOE 966812 | 379 | 700 | 337 |
| | | | | | | | | | | | | VOE 966813 | 379 | 700 | 337 |
| | | | | | | | | | | | | VOE 967599 | 882 | 550 | 765 |
| | | | | | | | | | | | | VOE 967634 | 461 | 200 | 473 |
| | | | | | | | | | | | | VOE 967708 | 352 | 100 | 171 |
| | | | | | | | | | | | | VOE 967708 | 352 | 250 | 177 |
| | | | | | | | | | | | | VOE 967708 | 353 | 100 | 179 |
| | | | | | | | | | | | | VOE 967710 | 352 | 250 | 177 |
| | | | | | | | | | | | | VOE 967710 | 353 | 100 | 179 |
| | | | | | | | | | | | | VOE 967710 | 353 | 200 | 183 |
| | | | | | | | | | | | | VOE 967711 | 352 | 100 | 171 |
| | | | | | | | | | | | | VOE 967749 | 522 | 100 | 503 |
| | | | | | | | | | | | | VOE 967749 | 522 | 100 | 505 |
| | | | | | | | | | | | | VOE 967749 | 522 | 300 | 507 |
| | | | | | | | | | | | | VOE 967749 | 522 | 300 | 509 |
| | | | | | | | | | | | | VOE 967750 | 421 | 100 | 409 |
| | | | | | | | | | | | | VOE 967750 | 434 | 200 | 449 |
| | | | | | | | | | | | | VOE 967751 | 434 | 100 | 443 |
| | | | | | | | | | | | | VOE 967751 | 911 | 350 | 809 |

| Part No | Group | Sect | Page | Part No | Group | Sect | Page | Part No | Group | Sect | Page | Part No | Group | Sect | Page | Part No | Group | Sect | Page |
|------------|-------|------|------|------------|-------|------|------|------------|-------|------|------|------------|-------|------|------|------------|-------|------|------|
| VOE 967941 | 741 | 100 | 597 | VOE 969216 | 823 | 150 | 649 | VOE 970552 | 379 | 100 | 303 | VOE 970585 | 379 | 100 | 307 | VOE 970653 | 379 | 100 | 309 |
| VOE 968007 | 421 | 200 | 415 | VOE 969373 | 823 | 100 | 641 | VOE 970552 | 379 | 100 | 305 | VOE 970587 | 379 | 100 | 307 | VOE 970654 | 379 | 100 | 309 |
| VOE 968136 | 263 | 125 | 125 | VOE 969373 | 823 | 110 | 645 | VOE 970553 | 371 | 1700 | 291 | VOE 970593 | 379 | 100 | 307 | VOE 970659 | 379 | 100 | 309 |
| VOE 968203 | 420 | 100 | 391 | VOE 969373 | 831 | 150 | 671 | VOE 970553 | 379 | 100 | 305 | VOE 970596 | 379 | 100 | 307 | VOE 970661 | 379 | 100 | 303 |
| VOE 968207 | 434 | 150 | 445 | VOE 969405 | 269 | 250 | 139 | VOE 970554 | 371 | 1700 | 291 | VOE 970624 | 371 | 1700 | 293 | VOE 970661 | 379 | 100 | 309 |
| VOE 968237 | 527 | 200 | 517 | VOE 969405 | 821 | 200 | 639 | VOE 970554 | 379 | 100 | 303 | VOE 970624 | 379 | 100 | 303 | VOE 970663 | 379 | 100 | 303 |
| VOE 968297 | 827 | 100 | 667 | VOE 969407 | 333 | 100 | 169 | VOE 970554 | 379 | 100 | 305 | VOE 970624 | 379 | 100 | 307 | VOE 970663 | 379 | 100 | 309 |
| VOE 968298 | 261 | 100 | 109 | VOE 969407 | 371 | 950 | 263 | VOE 970555 | 379 | 100 | 303 | VOE 970625 | 379 | 100 | 303 | VOE 970665 | 379 | 100 | 305 |
| VOE 968381 | 379 | 900 | 347 | VOE 969407 | 390 | 100 | 375 | VOE 970555 | 379 | 100 | 305 | VOE 970625 | 379 | 100 | 307 | VOE 970665 | 379 | 100 | 309 |
| VOE 968388 | 371 | 400 | 223 | VOE 969407 | 393 | 100 | 377 | VOE 970557 | 379 | 100 | 305 | VOE 970626 | 379 | 100 | 303 | VOE 970670 | 379 | 100 | 305 |
| VOE 968388 | 371 | 550 | 239 | VOE 969423 | 641 | 100 | 529 | VOE 970558 | 371 | 1700 | 291 | VOE 970626 | 379 | 100 | 307 | VOE 970670 | 379 | 100 | 309 |
| VOE 968388 | 371 | 600 | 241 | VOE 969436 | 852 | 100 | 691 | VOE 970558 | 379 | 100 | 305 | VOE 970627 | 379 | 100 | 307 | VOE 970675 | 379 | 100 | 309 |
| VOE 968388 | 371 | 1000 | 269 | VOE 969436 | 882 | 500 | 763 | VOE 970559 | 371 | 1700 | 291 | VOE 970628 | 379 | 100 | 303 | VOE 970686 | 379 | 100 | 309 |
| VOE 968388 | 371 | 1600 | 287 | VOE 969440 | 882 | 550 | 765 | VOE 970559 | 379 | 100 | 303 | VOE 970628 | 379 | 100 | 307 | VOE 970696 | 379 | 100 | 309 |
| VOE 968388 | 379 | 900 | 347 | VOE 969456 | 882 | 100 | 755 | VOE 970559 | 379 | 100 | 305 | VOE 970629 | 379 | 100 | 307 | VOE 970698 | 379 | 100 | 305 |
| VOE 968405 | 379 | 900 | 347 | VOE 969513 | 881 | 150 | 751 | VOE 970560 | 379 | 100 | 305 | VOE 970630 | 371 | 1700 | 293 | VOE 970733 | 379 | 100 | 309 |
| VOE 968435 | 434 | 200 | 449 | VOE 969587 | 353 | 100 | 179 | VOE 970562 | 379 | 100 | 305 | VOE 970630 | 379 | 100 | 303 | VOE 970745 | 371 | 1700 | 291 |
| VOE 968435 | 436 | 100 | 451 | VOE 969587 | 841 | 100 | 679 | VOE 970563 | 379 | 100 | 305 | VOE 970630 | 379 | 100 | 307 | VOE 970745 | 379 | 400 | 325 |
| VOE 968435 | 913 | 100 | 825 | VOE 969727 | 715 | 300 | 589 | VOE 970564 | 379 | 100 | 305 | VOE 970631 | 379 | 100 | 307 | VOE 970746 | 379 | 400 | 325 |
| VOE 968435 | 945 | 200 | 885 | VOE 969780 | 379 | 400 | 327 | VOE 970565 | 379 | 100 | 305 | VOE 970632 | 379 | 100 | 303 | VOE 970749 | 379 | 600 | 335 |
| VOE 968435 | 945 | 250 | 889 | VOE 969781 | 379 | 400 | 327 | VOE 970566 | 379 | 100 | 305 | VOE 970632 | 379 | 100 | 307 | VOE 970771 | 379 | 800 | 343 |
| VOE 968437 | 716 | 150 | 595 | VOE 969802 | 715 | 300 | 589 | VOE 970567 | 379 | 100 | 305 | VOE 970633 | 379 | 100 | 303 | VOE 970772 | 379 | 900 | 347 |
| VOE 968593 | 924 | 200 | 871 | VOE 969830 | 371 | 1700 | 291 | VOE 970568 | 379 | 100 | 305 | VOE 970633 | 379 | 100 | 307 | VOE 970773 | 371 | 1200 | 279 |
| VOE 968611 | 434 | 100 | 441 | VOE 969830 | 379 | 600 | 333 | VOE 970569 | 379 | 100 | 305 | VOE 970634 | 379 | 100 | 307 | VOE 970773 | 371 | 1700 | 293 |
| VOE 968612 | 527 | 200 | 517 | VOE 969832 | 371 | 1700 | 291 | VOE 970571 | 379 | 100 | 305 | VOE 970636 | 379 | 100 | 307 | VOE 970776 | 379 | 400 | 327 |
| VOE 968841 | 831 | 150 | 671 | VOE 969832 | 379 | 600 | 333 | VOE 970572 | 379 | 100 | 303 | VOE 970637 | 379 | 100 | 307 | VOE 970777 | 371 | 650 | 243 |
| VOE 968842 | 491 | 100 | 489 | VOE 969836 | 371 | 1700 | 291 | VOE 970572 | 379 | 100 | 307 | VOE 970638 | 379 | 100 | 309 | VOE 970777 | 379 | 400 | 327 |
| VOE 968842 | 874 | 200 | 737 | VOE 969836 | 379 | 600 | 333 | VOE 970574 | 379 | 100 | 307 | VOE 970640 | 379 | 100 | 309 | VOE 970779 | 371 | 1700 | 293 |
| VOE 968847 | 873 | 150 | 731 | VOE 969838 | 379 | 600 | 333 | VOE 970575 | 379 | 100 | 307 | VOE 970642 | 379 | 100 | 309 | VOE 970779 | 379 | 400 | 327 |
| VOE 969021 | 256 | 100 | 103 | VOE 969842 | 924 | 200 | 873 | VOE 970576 | 379 | 100 | 307 | VOE 970643 | 379 | 100 | 309 | VOE 970791 | 269 | 150 | 137 |
| VOE 969138 | 379 | 900 | 347 | VOE 969846 | 821 | 100 | 625 | VOE 970577 | 379 | 100 | 307 | VOE 970646 | 379 | 100 | 309 | VOE 970795 | 379 | 200 | 319 |
| VOE 969159 | 821 | 160 | 635 | VOE 970550 | 371 | 1700 | 291 | VOE 970578 | 379 | 100 | 307 | VOE 970648 | 379 | 100 | 309 | VOE 970976 | 434 | 100 | 441 |
| VOE 969161 | 371 | 900 | 261 | VOE 970550 | 379 | 100 | 303 | VOE 970579 | 371 | 1700 | 291 | VOE 970649 | 379 | 100 | 309 | VOE 970978 | 420 | 100 | 389 |
| VOE 969161 | 371 | 1150 | 277 | VOE 970550 | 379 | 100 | 305 | VOE 970579 | 379 | 100 | 307 | VOE 970651 | 379 | 100 | 309 | VOE 971071 | 331 | 100 | 165 |
| VOE 969161 | 372 | 150 | 299 | VOE 970551 | 379 | 100 | 305 | VOE 970580 | 379 | 100 | 307 | VOE 970652 | 379 | 100 | 309 | VOE 971099 | 261 | 100 | 109 |

| | | | |
|------------------------------|-------------------------|---------------------------------------|-----------------------------|
| NUMERICAL INDEX | INDICE DE NÚMERO | Catalogue id 20007 | Group 1000 |
| RÉPERTOIRE DE NUMÉROS | NUMMERREGISTER | Issue VOE 63D9920007 | Page 35 |
| NUMMERNREGISTER | | | |

VOLVO

L90E

